

**REQUIREMENTS AGREEMENT**  
**C-15-013B-04-28**

**THIS AGREEMENT** (the "Agreement") is entered into effective as of the 28<sup>th</sup> day of April, 2015 by and between Pecan Construction , LLC DBA Royal Ready Mix ("Seller") and Hidalgo County, Texas ("Buyer").

**WHEREAS**, Buyer has solicited sealed bids for the supply of its requirements of **Hidalgo County** for the **"Pipes & Miscellaneous items,"** (the "Product") for **HIDALGO COUNTY**, as further described in Exhibit "A", Request for Bids (RFB) Procurement Packet as attached hereto and incorporated herein by reference for all purposes (the "RFB") for a period of **one (1) year** and;

**WHEREAS**, Seller has submitted a proposal to supply Buyer's requirements; and

**WHEREAS**, Buyer has determine that Seller has submitted the lowest and best bid to meet Buyer's requirements for certain of the Products, as herein after described.

**NOW THEREFORE**, for and in consideration of the mutual covenants and conditions hereinafter set forth, and other good and valuable consideration, the receipt and sufficiency of which is hereby acknowledged, the parties hereto agree as follows:

1. Buyer agrees to purchase from Seller, and Seller agrees to sell and deliver to Buyer, all of the Products listed on Exhibit "B", which is attached hereto and incorporated herein by reference, that Buyer may require for use by Buyer in Hidalgo County projects for a period of a **one (1) year** with the County's option to extend/renew for an additional one (1) year period under the same rates, terms and conditions. Hidalgo County reserves the right to continue this bid for an additional sixty (60) day grace period, under the same rates, terms and conditions at the end of the contract term for unforeseen delays in award of new bid for the next contract term. This Contract shall commence on **April 30, 2015** and expire on **April 29, 2016** and it is agreed that the Products will meet the Specifications in the Request for Bids (RFB) Procurement Packet set forth in Exhibit "A" hereto.

2. When Buyer determines that it needs a quantity of the Products to be delivered, it will, according to its Purchasing Policies, complete and submit to Seller a Purchase Order describing the type and quantity of the Products required. The Products are to be delivered by Seller to the location in Hidalgo County specified by Buyer in its Purchase Order.

3. Buyer agrees to pay Seller for each Purchase Order based on the prices set out in Exhibit "B". Seller shall render invoices for each Purchase Order, and the invoices shall be paid by Buyer on or before the 30th day following receipt of the invoice.

4. General Provisions.

a. **Conflict with Applicable Law.** Nothing in this Agreement shall be

construed so as to require the commission of any act contrary to law, and whenever there is any conflict between any provision of this Agreement and any present or future law, ordinance or administrative, executive or judicial regulation, order or decree, or amendment thereof, contrary to which the parties have no legal right to contract, the latter shall prevail, but in such event the affected provision or provisions of this Agreement shall be modified only to the extent necessary to bring them within the legal requirements and only during the time such conflict exists.

b. **No Waiver.** No waiver by Buyer of any breach of any provision of this Agreement shall be deemed to be a waiver of any preceding or succeeding breach of the same or any other provision hereof.

c. **Entire Agreement.** This Agreement contains the entire contract between the parties hereto, and each party acknowledges that neither has made (either directly or through any agent or representative) any representations or agreements in connection with this Agreement not specifically set forth herein. This Agreement may be modified or amended only by agreement in writing executed by Buyer and Seller, and not otherwise.

d. **Texas Law to Apply.** This Agreement shall be construed under and in accordance with the laws of the State of Texas, and all obligations of the parties created hereunder are performable in Hidalgo County, Texas. The parties hereby consent to personal jurisdiction in Hidalgo County, Texas.

e. **Notice.** Except as may be otherwise specifically provided in this Agreement, all notices, demands, requests or communications required or permitted hereunder shall be in writing and shall either be (i) personally delivered against a written receipt, or (ii) sent by registered or certified mail, return receipt requested, postage prepaid and addressed to the parties at the addresses set forth below, or at such other addresses as may have been theretofore specified by written notice delivered in accordance herewith:

If to Buyer:

Hidalgo County  
Attention: County Judge  
1615 South Closner, Suite J  
Edinburg, Texas 78539

If to Seller:

Pecan Construction, LLC DBA  
Royal Ready Mix  
Attn: Joel Mendiola, Sales Representative  
5361 N. Abram Rd.  
Mission, Texas 78574

Each notice, demand, request or communication which shall be delivered or mailed in the manner described above shall be deemed sufficiently given for all purposes at such time as it is

f. **Termination.** Buyer may terminate this Agreement at any time for any reason or no reason at all upon giving thirty (30) days written notice.

g. **Additional Documents.** The parties hereto covenant and agree that they will execute such other and further instruments and documents as are or may become necessary or convenient to effectuate and carry out the terms of this Agreement.

h. **Successors.** This Agreement shall be binding upon and inure to the benefit of the parties hereto and their respective heirs, executors, administrators, legal representatives, successors, and assigns where permitted by this Agreement.

i. **Assignment.** This Agreement shall not be assignable.

j. **Headings.** The headings and captions contained in this Agreement are solely for convenient reference and shall not be deemed to affect the meaning or interpretation of any provision or paragraph hereof.

k. **Gender and Number.** All pronouns used in this Agreement shall include the other gender, whether used in the masculine, feminine or neuter gender, and the singular shall include the plural whenever and as often as may be appropriate.

l. **Authority to Execute.** The execution and performance of this Agreement by Buyer and Seller have been duly authorized by all necessary laws, resolutions or corporate action, and this Agreement constitutes the valid and enforceable obligations of Buyer and Seller in accordance with its terms.

m. **Insurance.** Seller shall provide, to the extent it deems necessary, insurance in force on all persons connected with providing services under this Contract naming Buyer as an additional insured, and shall furnish to Buyer certificates of such insurance coverage Exhibit "C", which is attached hereto.

n. **Commitment of Current Revenues Only.** In the event that, during any term hereof, the Commissioners Court of Buyer does not appropriate sufficient funds to meet the obligations of Buyer under this Agreement, Buyer may terminate this Agreement upon ninety (90) days written notice to Seller. Buyer agrees, however, to use reasonable efforts to secure funds necessary for the continued performance of this Agreement. The parties intend this provision to be a continuing right to terminate this Agreement at the expiration of each budget period of Buyer pursuant to the provisions of Tex. Loc. Govt. Code Ann. ' 271.903 (Vernon Supp. 1996).

o. **Purchasing Ethics.** Seller represents and warrants it has not, during the process of being awarded this contract violated the following ethical standards of Buyer and, upon and


after the execution of this Agreement, agrees to abide by the following ethical standards of Buyer:

- (1) It shall be a breach of ethics to offer, give or agree to give any elected official, department head or employee, or former elected official, department head or employee, of Hidalgo County, or for any elected official, department head or employee or former elected official, department head or employee of Hidalgo County, to solicit, demand, accept or agree to accept from another person, entity or organization, a gratuity or an officer of employment in connection with any decision, approval, disapproval, recommendation, preparation or any part of a program requirement or purchase request, influencing the content of any specification or procurement standard, rendering of advise, investigation, auditing, or in any other advisory capacity in any proceeding or application, request for ruling, determination, claim or controversy, or other particular matter pertaining to any program requirement or a contract or subcontract, or to any solicitation or proposal therefore pending before any department or agency of Hidalgo County.
  
- (2) It shall be a breach of ethics for any payment, gratuity or offer of employment to be made by or on behalf of a subcontractor under a contract to the prime contractor or higher tier subcontractor for any contract for Hidalgo County, or any person associated therewith, as an inducement for the award of a subcontract or order.

p. **Immunities.** Nothing in this Agreement is intended to and Buyer does not hereby waive, release or relinquish any right to assert any of the defenses Buyer enjoys by virtue of the state or federal constitution, laws, rules or regulations, and any sovereign, official or qualified immunity available to Buyer as to any claim or action of any person, entity, or individual against Buyer.

**EXECUTED** effective as of the day and year first above written.

**APPROVED AS TO FORM:**  
**Atlas, Hall & Rodriguez, LLP**

By:   
Stephen L. Crain

**COUNTY OF HIDALGO**

By: \_\_\_\_\_  
Ramon Garcia, County Judge

**ATTEST:**

\_\_\_\_\_  
Arturo Guajardo Jr., County Clerk

**PECAN CONSTRUCTION, LLC DBA  
ROYAL READY MIX**

By: \_\_\_\_\_

Printed Name: \_\_\_\_\_

Title: \_\_\_\_\_

**EXHIBIT "A"**  
REQUEST FOR SEALED BIDS (RFB) PROCUREMENT PACKET



**Hidalgo County Purchasing Department  
New Administration Building  
2812 S. Business Highway 281  
Edinburg, Texas 78539  
(956) 318-2626/ Fax: (956) 292-7612**

January 26, 2015

Participant's name

Address

City

State, Zip Code

Re: **HIDALGO COUNTY**  
**"PIPES and Miscellaneous Items"**  
**RFB No: 2015-013-02-11-MEG**

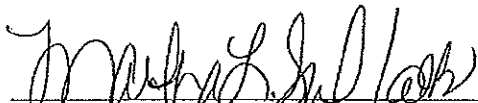
Dear Participant(s):

Enclosed please find a Request for Bids (RFB) packet for your review and consideration.

Hidalgo County Purchasing Department welcomes and appreciates your participation in the RFB process.

If any further assistance is required, please do not hesitate to call the Purchasing Department 956/318-2626.

Sincerely,

  
\_\_\_\_\_  
Martha L. Salazar, CPPB, Purchasing Agent

Enclosures



Hidalgo County Purchasing Department  
2812 S. Business Highway 281  
Edinburg, Texas 78539  
(956) 318-2626/ Fax: (956) 318-2629

## **TABLE OF CONTENTS**

### **HIDALGO COUNTY "PIPES and Miscellaneous Items" BID NO.: 2015-013-02-11-MEG**

<b>Item</b>	<b>Description</b>	<b>No. of Pages</b>
1.	Request For Bid Letter	1
2.	Request for Bid, Legal Notice	8
3.	Exhibit A, Requirements	16
4.	Exhibit B, Bid Page	9
5.	Exhibit C, Insurance Requirements,	4
6.	Exhibit D, CIQ Conflict of Interest Questionnaire	1
7.	Vendor/Bidder Application and W-9 form	6
8.	Certification Regarding Debarment	1
9.	Draft Requirement Agreement	8

The above mentioned items shall be found in the Request for Bids (RFB) packet that is attached herewith. Should you find that any of the items are not attached in its entirety please contact Purchasing by calling (956) 318-2626, advise of missing documentation, and Purchasing will forward information either through facsimile or by U.S. Mail.

Thank you.

  
\_\_\_\_\_  
Martha L. Salazar, CPPB, Purchasing Agent

January 26, 2015  
Date

# LEGAL NOTICE

REQUEST FOR BIDS

HIDALGO COUNTY  
“PIPES and Miscellaneous Items”

RFB No.: 2015-013-02-11-MEG

**Bid No. 2015-013-02-11-MEG**

**Buyer: Elena Gomez**

**Tel. No: (956) 318-2626**

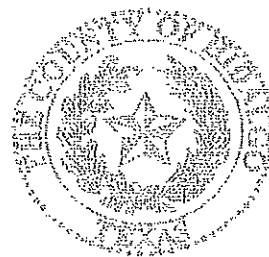
## **REQUEST FOR BIDS**

### **HIDALGO COUNTY** **Hidalgo County—"PIPES & Miscellaneous Items"**

**BID OPENING DATE:**  
**February 11, 2015**

**Contact Person:**

Martha L. Salazar, CPPB, Purchasing Agent  
Hidalgo County Purchasing Department  
2812 S. Business Hwy 281 – New Administration Building  
Edinburg, Texas 78539



956 318-2626

Form HCPD-03

LEGAL NOTICE

**BID NO: 2015-013-02-11-MEG**

1. Sealed bids will be received for Hidalgo County – “PIPES & Miscellaneous Items” in accordance with the specifications attached as Exhibit "A" hereto. Bids should address all specifications set forth. Bidders may suggest substitutions of features which they feel would be in the best interest of Hidalgo County ("County"). Strong rationale must be presented for any deviation from the specifications. Hidalgo County reserves the right to reject the deviation and its effect on the overall bid.
2. One (1) original and Five (5) copies of all bids are required with the bidders name and return address clearly typed/printed on upper left hand corner and the proper notation clearly typed/printed on the lower left hand corner of the envelope and/or package: **BID-2015-013-02-11-MEG -Hidalgo County – “PIPES & Miscellaneous Items”** and in County's Purchasing Department, 2812 S. Business 281, New Administration Building, Edinburg, Texas, **on or before 9:30 a.m., WEDNESDAY, February 11, 2015. NO FACSIMILES OR LATE ARRIVALS WILL BE ACCEPTED. ANY RFB RECEIVED AFTER THAT TIME WILL NOT BE OPENED AND WILL BE RETURNED. OVERNIGHT MAIL MUST ALSO BE PROPERLY LABELED ON THE OUTSIDE OF EXPRESS ENVELOPE OR PACKAGE WITH REFERENCE TO REQUEST FOR BIDS-2015-013-02-11-MEG Hidalgo County–“PIPES & Miscellaneous Items”**. Hidalgo County reserves the right to refuse and reject any/all RFB and to waive any/all formalities or technicalities, or to accept the RFB considered the best and most advantageous to Hidalgo County.
3. Hidalgo County reserves the right to: A. separate and accept, or eliminate any item(s) listed under this bid that it deems necessary to accommodate budgetary and/or operational requirements; B. reject any or all bids submitted and further reserves the right to design the evaluation criteria to be used in selecting the lowest and best bid for approval; and C. award the bid to one bidder or to multiple bidders if the County determines it is in its best interest to do so.”
4. The Bidder shall not substitute items named in the bid without the express written consent of Hidalgo County. Failure of the delivered item(s) to perform as specified, or failure to meet the stated delivery schedule shall release Hidalgo County from all obligations to the contracting party with regard to the item(s) in question. In such event, County may elect to award the contract to the next-lowest responsible bidder, or to reject all bids and re-advertise.
5. For work to be performed at a County owned or operated location, each bidder shall, in its sole discretion, visit the job site before preparing the bid and thoroughly familiarize himself/herself with existing conditions. Bidder should take field dimensions and note all circumstances which affect the dollar amount of the bid.
6. Descriptive specifications are referenced in this document to indicate the general kind and quality of equipment desired by Hidalgo County. Due to various styles and models of equipment, bidders are required to include illustrations, specifications, explanation of warranties, and service data with their bid including catalogue numbers and any necessary references.
7. No bid may be withdrawn within thirty (30) days from the scheduled time to open bids.

8. Proposed prices are to remain firm for a minimum of ninety (90) days after bid opening.
9. Any interpretations, amendments, corrections or changes to this bid document must be in a written addendum and signed by the County Judge or his designee. Addenda will be mailed to all who are known to have received a copy of the Request for Bids. Bidders shall acknowledge receipt of all addenda as a part of their bid.
10. County reserves the right to accept or reject any or all bids.
11. Costs are to be net F.O.B., County Prepaid.
12. County is exempt from Federal Excise Tax, State Tax and Local Tax. Do Not include tax in cost figure. If it is determined that tax was included in the cost figures it will not be included in the tabulation of any awards. Tax exemption certificates will be furnished upon request.
13. Funds for this procurement have been provided through the County budget for this fiscal year only. County, on an annual basis, has the right to reconsider a contract during the budget process for ensuing years if financial resources of County are insufficient to meet the liabilities of said contract. The award of a bid or contract hereunder will not be construed to create a debt of the County which is payable out of funds beyond the current fiscal year.
14. Upon award and prior to execution of a contract, Sole Proprietorships are required to submit a copy of their social security cards to the Hidalgo County Auditor's Office in order to establish an account with the County. All awarded vendors must submit a completed W-9 and a copy of their Federal ID Number Certificate.
15. DELIVERY INSTRUCTIONS:
  - . No deliveries accepted after 3:00 P.M., Monday-Friday.
  - . At least seventy two (72) hours prior notice of delivery must be given to Martha L. Salazar, Purchasing Agent before delivery will be accepted.
  - . If you need additional information call the office listed below:

Hidalgo County Purchasing Department  
Martha L. Salazar, Purchasing Agent  
(956) 318-2626
16. BILLING AND PAYMENT INSTRUCTIONS:
  - . Invoices must include:
    - a) Name and address of successful bidder
    - b) Name and address of receiving department or official
    - c) Purchase Order Number (if any)
    - d) Notation - **Hidalgo County-"PIPES & Miscellaneous Items"**  
Descriptive information as to the items or services delivered, including product code, item number, quantity, etc.
    - e) Contract number must be indicated on all invoices

- Discount payments will be considered when offered.
- Contact person for Billing and Payment questions:

Raul Lozano  
**Hidalgo County Precinct #1**  
 1902 Joe Stevens Ave.  
 Weslaco, Texas 78596  
 (956) 968-8733

Armando Garza  
**Hidalgo County Precinct #2**  
 300 West Hall Acres Rd., Suite G  
 Pharr, Texas 78577  
 (956) 787-1891

Norma Ceballos  
**Hidalgo County Precinct #3**  
 400 W. 13<sup>th</sup>  
 Mission, Texas 78573  
 (956) 585-4509

Gloria Beltran  
**Hidalgo County Precinct #4**  
 1102 N. Doolittle  
 Edinburg, Texas 78540  
 (956) 383-3112

17. Schedule of Events

<b>Bid Opening, 9:30 AM</b>	<b><u>February 11, 2015</u></b>
Award of Contract	_____, 2015
Commence Work or Deliver Products	_____, 2015

18. Bid or Performance Bond and Debarment Certification; Payment Under Contract:

If the contract proposed is for the construction of public works or is for a contract for goods & services exceeding \$100,000, all bidders shall furnish a good and sufficient bid bond in the amount of five percent of the total contract price. A bid bond must be executed with a surety company authorized to do business in Texas. All bidders are also required to furnish a certification or acknowledgment stating that the contractor or vendor is free from suspension or debarment pursuant to federal regulation 45CFR Part 76.

Together with the signing of a contract or issuance of a purchase order following the acceptance of a bid, and prior to commencement of the actual work, the bidder shall furnish a performance bond to the County for the full amount of the contract, if that contract exceeds \$50,000.

If the contract is for \$50,000 or less, no money will be paid to the contractor until completion and acceptance of the work or the fulfillment of the purchase obligation to the County, and, if applicable, the receipt by County of satisfactory evidence that all subcontractors and material men have been paid.

If a contract is for the construction, alteration or repair of public buildings or public works, the contractor *shall* provide a payment bond for a contract in excess of Twenty Five Thousand Dollars (\$25,000.00), as required by Tex. Govt. Code Ch. 2253.

For requirements contracts, bond requirements are determined by applying the proposed unit price to the estimated quantities included in the specifications.

19. Ethical Standards:

. It shall be a breach of ethics to offer, give or agree to give any elected official, department head or employee, or former elected official, department head or employee, of the County, or for any elected official, department head or employee or former elected official, department head or employee of the County, to solicit, demand, accept or agree to accept from another person, entity or organization, a gratuity or an offer of employment in connection with any decision, approval, disapproval, recommendation, preparation or any part of a program requirement or purchase request, influencing the content of any specification or procurement standard, rendering of advice, investigation, auditing, or in any other advisory capacity in any proceeding or application, request for ruling, determination, claim or controversy, or other particular matter pertaining to any program requirement or a contract or subcontract, or to any solicitation or proposal therefore pending before any department or agency of the County.

. It shall be a breach of ethics for any payment, gratuity or offer of employment to be made by or on behalf of a subcontractor under a contract to the prime contractor or higher tier subcontractor for any contract for the County, or any person associated therewith, as an inducement for the award of a subcontract or order.

. No public official shall have an interest in a contract awarded hereunder except in accordance with Tex. Loc. Govt. Code Chapter 171.

~~20. Disclosure of Conflict of Interest~~

. Effective January 1, 2006, Chapter 176 of the Texas Local Government Code requires that any vendor, person, consultant or contractor considering doing business with Hidalgo County ("the County") to disclose in the Conflict of Interest Questionnaire (the "CIQ") attached as Exhibit D, the vendor, person, consultant or contractor's affiliation or business relationship that might cause a conflict of interest with the County. By law, the CIQ must be filed with the Hidalgo County Clerk's Office no later than the seventh business day after the date the person becomes aware of facts that require that statement to be filed. The disclosure requirement applies to a person or business who contracts or seeks to contract with Hidalgo County for the sale or purchase of property, goods or service. Any purchase order or contract resulting from this process shall be considered null and void if the successful bidder fails to comply with Texas Local Government Code Chapter 176. Vendors, consultants, contractors and others who desire to conduct business with Hidalgo County are encouraged to refer to Texas Local Government Code Chapter 176 for the details of this law. An offense under Texas Local Government Code Chapter 176 is a Class C

Misdemeanor.

Please Submit completed CIO forms to the Hidalgo County Clerk's Office located at 100 N. Clossner Edinburg, Texas 78539-Hidalgo County Courthouse  
**COMPLETION AND SUBMISSION OF FORM CIO IS THE SOLE RESPONSIBILITY OF THE PROSPECTIVE BIDDER.**

21. If, during the life of any contract or bid awarded, the successful bidder's net prices generally available to other customers for items awarded herein are reduced below the contracted price, it is understood and agreed that the benefits of such reduction shall be extended to County.
22. Bids, and all goods and services provided thereunder, shall comply with all federal, state and local laws concerning this type(s) of goods and/or services.
23. Minimum Standards For Responsible Prospective Bidders: A prospective bidder must affirmatively demonstrate bidder's responsibility. A prospective bidder, by submitting a bid, represents to County that it meets the following requirements:
  - . Possess or is able to obtain adequate financial resources as required to perform under the bid;
  - . Be able to comply with the required or proposed delivery schedule;
  - . Have a satisfactory record of performance;
  - . Have a satisfactory record of integrity and ethics;
  - . Be otherwise qualified and eligible to receive an award.
24. Successful bidder will pay or cause to be paid, without cost or expenses to County, all FICA, FUTA/SUTA and Federal Income Withholding Taxes of all employees, and all wages and benefits as required by Federal or State law. Successful bidder's officers, agents and/or employees will not be entitled to any benefits of an employee or elected official of County, including, but not limited to, benefits associated with County's civil service system.
25. Any contract award to a successful bidder will be in effect until (a) the contract expires, (b) delivery and acceptance of products, and/or performance of services ordered, or (c) terminated by County with thirty day's written notice prior to cancellation.
26. County reserves the right to enforce performance of any contract awarded hereunder in any manner prescribed by law or deemed to be in the best interest of the County in the event of breach or default by successful bidder; County reserves the right to terminate any contract immediately in the event a successful bidder fails to:
  - A. Meet schedules;
  - B. Pay any required fees or taxes; or
  - C. Otherwise perform in accordance with the specifications.
27. Successful bidder shall defend, indemnify and save harmless County and all its elected

officials, officers, agents and employees from all suits, actions, or other claims of any character, name and description brought for or on account of any injuries or damages received or sustained by any person, persons, or property on account of any negligent act or fault of the successful bidder, or of any agent, employee, subcontractor or supplier of successful bidder in the execution of, or performance under, any contract which may result from bid award or which arises from any event or casualty happening on or within County premises themselves or happening upon or in any halls, elevators, entrances, stairways or approaches of or to such County facilities. Successful bidder shall pay any judgment with costs which may be obtained against County growing out of such injury or damages, and shall, upon request, provide a defense to County by counsel reasonably acceptable to County. Successful bidder's indemnity hereunder shall include, but is not limited to, claims relating to patent, copyright or trademark infringement, and the like, arising out of the goods and services provided by successful bidder.

28. Successful bidder shall warrant that all items/services shall conform with the specifications and/or all warranties provided under the Uniform Commercial Code and be free from all defects in material, workmanship and the like. Items supplied under a contract pursuant to this Request for Bids shall be subject to County's approval. Items found to be defective or not meeting specifications shall be replaced by successful bidder within two business days at no expense to County. Items not picked up within one (1) week after notification shall be deemed a donation to County and may be used or disposed of at County's discretion and without waiver of any other rights of County as to the item's nonconformity.
29. This document and any disputes arising hereunder shall be governed and construed according to the laws of the State of Texas, and will be performable exclusively in Hidalgo County, Texas.
30. The successful bidder shall not assign, sell, transfer or convey its rights under any awarded contract, in whole or in part, without the prior written consent of County.

Bid

**HIDALGO COUNTY**  
**"PIPES & Miscellaneous Items"**  
**BID NO.: 2015-013-02-11-MEG**

To: Martha L. Salazar, GPPB, Purchasing Agent  
Hidalgo County Purchasing Department  
2812 S. Business Hwy 281-New Administration Bldg.  
Edinburg, Texas 78539

In accordance with the Specifications, and subject to all laws and regulations of the United States and state and local laws, the undersigned bidder proposes and commits to furnish all labor, equipment, material, software and services as set forth in the documents hereinbefore mentioned. The undersigned bidder further agrees, upon acceptance of its bid, to execute a contract and/or Purchase Order issued by Hidalgo County for performing and completing the work described in the Specifications within the time stated and for the prices proposed in the documents attached hereto and made a part hereof.

Bidder acknowledges receipt of all of the pages of the documents referenced in the Invitation to Bid Checklist presented in connection with this procurement. Bidder understands that Hidalgo County reserves the right to reject any or all bids and further reserves the right to design the evaluation criteria to be used in selecting the lowest and best bid.

Bidder agrees that this bid shall be good and may not be withdrawn for a period of ninety (90) calendar days after the scheduled closing time for receiving bids, as contained in the Specifications.

Respectfully submitted,

Bidder: \_\_\_\_\_

Address: \_\_\_\_\_

By: \_\_\_\_\_

Printed Name: \_\_\_\_\_

Title: \_\_\_\_\_

**EXHIBIT “A”**  
SPECIFICATIONS/REQUIREMENTS

REQUEST FOR BIDS

HIDALGO COUNTY  
“PIPES and Miscellaneous Items”

RFB No.: 2015-013-02-11-MEG

## **SPECIFICATIONS AND/OR REQUIREMENTS:**

Bidder(s) shall supply, where needed (on an "as needed" basis) in Hidalgo County or job site, "PIPES, Inlets, Manholes & Miscellaneous Items".

Bid information will be furnished to all Hidalgo County departments requiring pipes and delivery will involve numerous locations within Hidalgo County.

I. LOCATIONS – Departments requiring pipes.

II. DELIVERY INSTRUCTIONS

Delivery hours will be arranged with each department requiring pipes. **Bidder(s) shall deliver** the amount of product requested to **location or job site** required within 24 hours, or earlier, if requested. Bidder(s) agree(s) that, to the extent an item is unavailable from bidder's own inventory; bidder(s) will be responsible for locating an alternative supplier and for providing the product to Hidalgo County for the bid price. **VENDOR(S) MUST UNLOAD ANY/ALL ITEMS LISTED AT THE REQUESTED SITE(S).**

III. BID AWARD

1. Hidalgo County may award the bid on a lump sum basis to one (1) bidder or to multiple bidders on an item by item basis in each category, whichever is in the best interest of the County. For evaluation and consideration of items bid, samples will be submitted upon request. Categories will be as follows:

- Category A: Pipes
- Category B: Inlets
- Category C: Manholes
- Category D: Miscellaneous

### **CATEGORY (A) – PIPES** **CORRUGATED PVC STORM SEWER PIPE SPECIFICATION**

#### **1.0 SCOPE:**

Polyvinyl chloride (PVC) storm sewer/drain pipe and fitting shall be manufactured and tested in accordance with AASHTO Specifications M304.

#### **2.0 MATERIAL AND DESIGN**

The structural design of thermoplastic pipes shall be in accordance with AASHTO Standard Specifications for Highway Bridge; Section 8 titled "Soil-Thermoplastic Pipe Interaction Systems". To ensure long-term design strength properties, PVC Pipe shall be manufactured from 12454B or 12454C cell class material per ASTM D1784.

#### **3.0 JOINING SYSTEM:**

Joints may be either plastic sleeve with gaskets or an integral bell-gasket joint. When the joint is assembled, it shall prevent misalignment of adjacent pipes and form either a soil (2 psi hydrostatic test per AASHTO Standard Specifications for Highway Bridges: Section 26.4.2.4) or watertight joint (10.8 psi test per ASTM D3212 "Standard Specifications for Joints for Drain and Sewer Plastic Pipes Using Flexible Elastomeric Seals" as required.

**4.0 INSTALLATION**

PVC thermoplastic pipe and fittings manufactured to this specifications, shall be installed in accordance with ASTM D2321-89.

Heights of Cover

<b>DIAMETER</b>	<b>CORRUGATED PVC PIPE (AASHTO M304)</b>
<b>INCHES</b>	<b>FEET</b>
12	49
15	47
18	51
24	50
30	50

\*Minimum cover (H-20 live load) = (ASTM D2321 with Class A1 embedment)

**CORRUGATED STEEL STORM SEWER PIPE SPECIFICATIONS**

**1.0 GENERAL**

This item shall govern the furnishings of corrugated steel pipe and pipe-arch for culverts and storm sewer for the types, sizes and designations as specified in these specifications.

**2.0 MATERIALS**

This pipe shall be fabricated from sheets conforming to the current AASHTO M-274 (ASTM A819) specification for ALUMINIZED STEEL Type 2 material or the current AASHTO M-246 (ASTM 742) specification for POLYMER coated galvanized steel material.

**3.0 MANUFACTURE**

This pipe shall meet the requirements of AASHTO M-36 (ASTM A760) for corrugated steel pipe. All pipe shall be manufactured with a minimum of two-re-rolled annular ends.

**4.0 CLASSIFICATION (TYPE) FOR DIAMETERS 46" THROUGH 96"**

This pipe shall be manufactured to conform to the current AASHTO M-36 (ASTM A 760) specification and shall have an extended helical corrugation pattern of 3/4 x 3/4" 7 1/2" as described in AASHTO M-36 (ASTM A 760).

All round pipe shall be manufactured to conform to the current AASHTO M 245 (ASTM A 762 & A 760) specification and shall have a full circular cross section with a smooth steel liner and helically corrugated shell, integrally attached at helical lock seams. All round pipe shall conform to the Type IA pipe classification. All pipe arch shall conform to the Type IIA classification.

Type I pipe classifications will also be considered. These pipes shall be manufactured out of ALUMINIZED STEEL Type 2 or POLYMER coated galvanized steel as referenced above.

**5.0 POST APPLIED COATING**

All Pipes manufactured with ALUMINIZED STEEL Type 2 shall be fully coated both inside and out with a minimum thickness of 0.05 in. (1.3 mm) measured from the crest of the corrugations, on the top of ribs, (as in Type IR pipe) or on the smooth inside surface of the pipe. The coating shall be uniform Class B (bituminous) or Class M (mastic) material as described in AASHTO M-190 (ASTM A 849).

**6.0 GAUGE**

Unless otherwise specified on the specifications, gauges shall be minimum as follows:

TYPE IR (SPIRAL CORRUGATION)	
DIAMETER	GAUGE
36-48"	16
54-60"	14
66-96"	12
TYPE I (STANDARD)	
54-138"	12
144"	10
All Types IA shall be 12 gauge shell and 18 gauge liner.	

**7.0 COUPLING BANDS**

Coupling bands shall be of the same base material and coating as the pipe. Coupling bands shall lap evenly on each of the pipes being connected and shall fit securely into at least one full circumferential corrugation to form a tightly closed joint.

All pipe shall be field jointed with corrugated locking bands. Connecting bands shall be drawn together by means of not less than two bolts not less than ½ in. (13 mm) diameter through angles or bar and strap device suitable welded or riveted.

Coupling bands shall be no more than three normal sheet thickness lighter than the pipe to be connected and in no case thinner than 0.052 in. (1.32 mm).

**8.0 INSTALLATION**

Corrugated steel pipe shall be installed as outlined in AASHTO Standard Specifications for Highway Bridges, Section 26 and ASTM A798.

**9.0 MEASUREMENT**

Corrugated steel pipe will be measured by linear foot. Such measurements shall be made between the ends of the barrel along its central axis. Where spurs or branches, or connections to existing pipe lines are involved, measurements of the spur or new connecting pipe will be made from the intersection of the central axis with the outside surface of the pipe into which it connects. Where inlets, headwalls, catch basins, manholes, junction chambers or other structures are included in lines of pipe that length of pipe tying into the other structure will be included for measurement but no other portion of the structure length or width will be included.

For multiple pipes, the measured length will be the sum of the lengths of the barrels, measured as prescribed above.

In the event of a change in design which either increases or decreases the quantity of pipe, the variation in quantity will be measured as prescribed above and the quantity shown in the specifications will be increased or decreased as the case may be.

**10.0 PAYMENT**

Payment for corrugated steel pipe, measured as prescribed above will be made at the contract unit price bid per linear foot for various sizes, gauges and types of corrugated steel pipe.

Payments shall be full compensation for furnishings, transporting and installing the pipe. This includes materials, labor, equipment, tools and incidentals necessary to complete the installation in accordance to these specifications.

EXHIBIT "A" - SPECIFICATIONS  
 HDALGO COUNTY  
 "PIPES & Miscellaneous Items"  
 RFB No. 2015-013-02-11-MRG

**CATEGORY (A) – PIPES**  
**REINFORCED CONCRETE PIPE - GASKET JOINT PIPE SPECIFICATIONS**

REINFORCED CONCRETE PIPE - GASKET JOINT PIPE SPECIFICATIONS											
CLASS III - ASTM C76 STANDARDS											
PIPE I.D.	WALL THICKNESS	CONCRETE STRENGTH	CAGE			PIPE WEIGHT					
			(in)	(in)	(PSI)		TYPE	INNER	OUTER	(LBS)	
15	3.00	4,000	SINGLE	3"x6"	-W1.75/W2.5		1,520				
18	3.25						1,920				
24	3.75						2,840				
30	4.25						4,020				
36	4.75						DOUBLE	3"x6"	-W2.5/W2.5	3"x6"-W1.75/W2.5	5,520
42	5.25										7,100
48	5.75		8,280								
54	6.25		9,800								
60	6.75		12,184								
72	7.75		15,900								
				2"x6"	-W4.5/W2.5	3"x6"-W4.0/W2.5					
				2"x6"	-W6.0/W2.5	3"x8"-W5.75/W3.0					

REINFORCED CONCRETE PIPE - GASKET JOINT PIPE SPECIFICATIONS							
CLASS IV - ASTM C76 STANDARDS							
PIPE I.D.	WALL THICKNESS	CONCRETE STRENGTH	CAGE			PIPE WEIGHT	
			(in)	(in)	(PSI)		TYPE
15	3.00	4,000	SINGLE	3"x6"	-W2.5/W2.5		1,520
18	3.25						1,920
24	3.75						2,840
30	4.25						4,020
36	4.75						DOUBLE
42	5.25		7,100				
48	5.75		8,280				
54	6.25		9,800				
60	6.75		5,000	2"x8"	-W5.75/W3.0	3"x8"-W5.0/W2.5	
72	7.75						15,900
							2"x8"
			2"x8"	-W10.0/W4.0	2"x8"-W6.0/W2.5		

EXHIBIT "A" - SPECIFICATIONS  
 HIDALGO COUNTY  
 "PIPES & Miscellaneous Items"  
 RFB No. 2015-013-02-11-MEG

REINFORCED CONCRETE PIPE - GASKET JOINT PIPE SPECIFICATIONS						
CLASS V - ASTM C76 STANDARDS						
PIPE I.D.	WALL THICKNESS	CONCRETE STRENGTH	CAGE			PIPE WEIGHT
			(in)	(in)	(PSI)	
15	3.00	6,000	SINGLE	3"x6"-W2.5/W2.5		1,520
18	3.25					1,920
24	3.75		DOUBLE	3"x6"-W3.0/W2.5	3"x6"-W2.5/W2.5	2,840
30	4.25					4,020
36	4.75					5,520
42	5.25					7,100
48	5.75					8,280
54	6.25					9,800
60	6.75					12,184
72	7.75					15,900

**General Note:**

1. Concrete gasket pipe shall meet Bureau of Reclamation R-4 Joint O-Ring gasket ASTM C361 Standards and price quote shall be included with the pipes.
2. All welded Wire Fabric Steel shall meet ASTM 82 and ASTM 185 Standards.
3. Aggregates shall meet ASTM C 33 Standards.
4. Fly Ash shall meet ASTM C 618-97 Standards.
5. Type II Cement shall meet ASTM C 150 Standards.
6. The maximum lengths of pipe sections shall be 8 feet.

The following are the technical requirements for the Reinforced Gasket Joint Concrete Pipe ASTM C-76 Class III.

**D.1 GENERAL:**

Pipe shall be manufactured and tested according to ASTM Designation: C-361 except as hereinafter changed and further specified. The requirements for cement, admixture, concrete strength, wall thickness, joints, manufacture and handling of pipe shall be in accordance with Paragraphs C-2, C-3, C-4, C-5, C-6, C-7, C-8, C-10, C-11, C-12, C-13 and C-14, respectively.

**D.2 STEEL REINFORCEMENTS:**

The reinforcing steel shall conform to requirements of Class III reinforced pipe, ASTM Designation: C-76. Reinforcements may be circular or elliptical.

**D-3 PHYSICAL TEST REQUIREMENTS:**

The test for internal hydrostatic pressure on the pipe shall not be less than that shown in Table "A" Paragraph C-10 thereof. The test for minimum 3-edge bearing load (pounds per linear foot) shall not be less than that required for Class III reinforced concrete pipe, ASTM Designation C-76.

**RELATED PARAGRAPHS C-2 CEMENT:**

The cement shall be Type II, low alkali in accordance with Federal Specifications SS-C 1960/3. The Contractor shall furnish certificates from the mill manufacturing the cement evidencing compliance with these specifications.

**C-3 ADMIXTURE:**

All concrete in concrete pipe placed by the placing and vibrated method shall have air-entraining agent conforming to ASTM Designations: C260. The amount of air-entraining agent used shall be such as will effect the entrainment of 2-1/2  $\pm$  1 percent of air by volume, of the concrete as discharged from the mixer. Natural cement, slag cement, pozzolon or other mixtures shall not be added to the concrete without the written authorization of the Engineer in charge of the project.

**C-4 CONCRETE STRENGTH:**

The strength requirements shall be 4,000 pounds per square inch in 28 days. The 4,000 PSI concrete test shall be in accordance with the latest edition of ASTM Designation: C-76.

**C-5 CONCRETE MIXTURE:**

The aggregate requirements of the latest ASTM Designation: C361 are changed to include, "the maximum size coarse aggregate shall be of the largest size practicable for placement considering the wall thickness of the pipe but shall not exceed 1-1/2 inches. The percentage of coarse aggregate to the total aggregate shall be as high as practicable for manufacture of the pipe".

**C-6 CURING REQUIREMENTS:**

The curing requirements in the latest edition of ASTM Designation: C361 are changed to include this additional requirement at the end of the paragraph: "If forms are stripped immediately after the pipe is cast and moved to the curing area, the concrete pipe shall not be lifted or tipped until a minimum concrete compressive strength of 2,500 PSI is attained. Determination of the required strength shall be accomplished by tests of concrete cylinders as described in the latest edition of ASTM Designation: C361".

**C-7 WALL THICKNESS:**

The thickness of the pipe wall shall be not less than that shown in Table A, Paragraph C-10, Physical Test Requirements", hereof.

**C-8 PIPE LENGTHS:**

The maximum lengths of pipe sections shall be 8 feet.

**C-10 PHYSICAL TEST REQUIREMENTS:**

The hydrostatic test pressures for the pipe and rubber gasket joint required in the latest edition of ASTM Designations 361 are changed to those specified in Table A. The Contractor shall also perform external load crushing strength test on the pipe. The external load crushing strength test shall be in accordance with the minimum three-edge bearing load as specified in Table A.

EXHIBIT "A" - SPECIFICATIONS  
HIDALGO COUNTY  
"PIPES & Miscellaneous Items"  
RFB No. 2015-013-02-11-MRG

**TABLE A: PHYSICAL TEST REQUIREMENTS**

Internal diameter (inches)	Minimum Shell Thickness (inches)	Internal Hydrostatic Pressure On Individual Section of Pipe (PSI)	Minimum 3-Edge Bearing Load (pounds per linear foot)
15	2	50	1,700
16	2	50	1,800
18	2	50	1,900
21	2 - ¼	45	2,100
24	2 - ½	40	2,200
30	2 - ¾	35	2,500
36	3	30	4,050
42	4 - ½	30	4,725
48	5	30	5,400
54	4 - ½	25	6,075
60	6	25	6,750
72	7	25	8,100

**C-11 JOINTS:**

Joints shall be made with round rubber gasket in conformance with the latest edition of ASTM Designation: C-361 and price quote shall be included with the pipes.

**REINFORCED CONCRETE PIPE - TONGUE & GROOVE PIPE SPECIFICATIONS**

REINFORCED CONCRETE PIPE - TONGUE & GROOVE PIPE SPECIFICATIONS							
CLASS III - ASTM C76 STANDARDS							
PIPE I.D.	WALL THICKNESS	CONCRETE STRENGTH	CAGE			PIPE WEIGHT	
(in)	(in)	(PSI)	TYPE	INNER	OUTER	(LBS)	
15	2.25	4,000	SINGLE	3"x6"-W1.75/W2.5		1,045	
18	2.50					1,400	
24	3.00					2,100	
30	3.50					3,050	
36	4.00		4,200				
42	5.25		DOUBLE	3"x8"-W3.0/W2.0	3"x6"-W1.75/W2.5	6,250	
48	5.75					8,100	
54	6.25					9,420	
60	6.75					11,500	
72	7.75					2"x6"-W4.5/W2.5	3"x6"-W4.0/W2.5
		2"x6"-W6.0/W2.5				3"x6"-W5.75/W3.0	15,900

EXHIBIT "A" - SPECIFICATIONS  
HIDALGO COUNTY  
"PIPES & Miscellaneous Items"  
RFB No. 2015-013-02-11-MEG

REINFORCED CONCRETE PIPE - TONGUE & GROOVE PIPE SPECIFICATIONS						
CLASS IV - ASTM C76 STANDARDS						
PIPE I.D.	WALL THICKNESS	CONCRETE STRENGTH	CAGE			PIPE WEIGHT
(in)	(in)	(PSI)	TYPE	INNER	OUTER	(LBS)
15	3.00	4,000	SINGLE	3"x6"-W2.5/W2.5		1,045
18	3.25			2"x6"-W2.5/W2.5		1,400
24	3.75			2"x6"-W4.5/W2.5		2,100
30	4.25			2"x8"-W6.0/W2.5		3,050
36	4.75		DOUBLE	2"x8"-W5.0/W3.0	3"x8"-W4.5/W2.5	4,200
42	5.25			3"x6"-W5.0/W2.5	3"x6"-W3.0/W2.5	6,250
48	5.75			3"x6"-W6.5/W3.0	3"x6"-W4.0/W2.5	8,100
54	6.25			2"x8"-W5.75/W3.0	3"x6"-W5.0/W2.5	9,420
60	6.75			2"x8"-W7.0/W3.0	3"x8"-W6.25/W3.0	11,500
72	7.75			5,000	2"x8"-W10.0/W4.0	2"x8"-W6.0/W2.5

REINFORCED CONCRETE PIPE - TONGUE & GROOVE PIPE SPECIFICATIONS						
CLASS V - ASTM C76 STANDARDS						
PIPE I.D.	WALL THICKNESS	CONCRETE STRENGTH	CAGE			PIPE WEIGHT
(in)	(in)	(PSI)	TYPE	INNER	OUTER	(LBS)
15	3.00	6,000	SINGLE	3"x6"-W3.5/W2.5		1,045
18	3.25			3"x8"-W4.75/W2.5		1,400
24	3.75			3"x8"-W6.0/W2.5		2,100
30	4.25		DOUBLE	2"x8"-W7.0/W3.0	3"x8"-W6.25/W3.0	3,050
36	4.75			2"x8"-W8.25/W3.5	2"x8"-W5.0/W3.0	4,200
42	5.25			2"x8"-W6.0/W2.5	3"x8"-W5.75/W3.0	6,250
48	5.75			2"x8"-W8.0/W3.5	3"x8"-W7.0/W3.0	8,100
54	6.25			2"x8"-W10.0/W4.0	2"x8"-W6.0/W2.5	9,420
60	6.75			2"x8"-W11.5/W4.5	2"x8"-W7.0/W3.0	11,500
72	7.75			2"x6"-W8.5/W6.5	2"x8"-W10.0/W4.0	15,900

**General Note:**

1. All welded wire fabric steel shall meet ASTM 82 and ASTM 185 standards.
2. Aggregates shall meet ASTM C 33 standards.
3. Fly ash shall meet ASTM C 618-97 standards.
4. Type II cement shall meet ASTM C 150 standards.
5. Concrete joint sealant shall meet ASTM C 990 standards.
6. Concrete joint primer shall meet ASTM D 41 standards.
7. The maximum lengths of pipe sections shall be 8 feet.

## **REINFORCED POLYETHYLENE PIPE SPECIFICATIONS**

### **SCOPE**

This specification(s) describes reinforced polyethylene pipe for use in gravity flow storm drain and culvert applications in 24" through 96" nominal diameters.

### **DESCRIPTION**

This pipe shall have a smooth waterway and exterior profile that is reinforced with high strength galvanized steel ribs. The continuous reinforcing ribs are completely encased within the polyethylene profile. Reinforced polyethylene pipe is manufactured using a helical winding process that results in continuously fusion welded circumferential lap seam. The pipe profile is manufactured using high pressure-rated thermoplastic meeting the requirements of ASTM F2562 "Standard Specification for Steel Reinforced Thermoplastic Ribbed Pipe and Fittings for Non-Pressure Drainage and Sewerage". For the purposes of hydraulic design, the recommended Manning's "n" value shall be 0.013 for pipe diameters included within this specification.

### **MATERIAL PROPERTIES**

Virgin high density polyethylene pressure-related resins are used to manufacture reinforced polyethylene pipe and complimentary fabricated fittings. Resins shall conform to be minimum requirements of cell classification 345464 C as defined and described in the latest version of ASTM D3350 "Standard Specification for Polyethylene Plastic Pipe and Fittings Materials".

### **JOINT PERFORMANCE**

Pipe lengths shall be joined on site using bell & spigots especially designed for reinforced polyethylene pipe. Both bell and spigot shall be reinforced with steel that is fully encased in pressure rated high density polyethylene meeting the requirements set forth in the above Material Properties paragraph and shall be watertight to an internal water pressure of 15 PSI when tested in accordance with ASTM D3212 "Standard Specification for Joints for Drain and Sewer Plastic Pipes Using Flexible Elastometric Seals".

### **FITTINGS**

All fittings shall be fabricated from reinforced polyethylene pipe using fusion welded construction to ensure no loss of structural integrity of water-tightness at welded seams and joints.

### **INSTALLATION**

Installation shall be in accordance with ASTM D2321 "Practice for Underground Installation of Thermoplastic Pipe for Sewers and Other Gravity-Flow Applications" along with product-specific recommendation by the manufacturer. Minimum cover shall be 1 ft. and maximum cover shall be 30 ft.

## **AWWA C900 PVC PLASTIC PRESSURE PIPE SPECIFICATIONS**

### **SCOPE**

This specification designates general requirements for 4" through 12" C.I.O.D.'s pipe produced in blue or white un-plasticized polyvinyl chloride (PVC) plastic pressure pipe with integral bell and spigot joints for the conveyance of water and other fluids. This pipe shall meet the requirements of AWWA Standard C900 "Polyvinyl Chloride (PVC) Water Distribution Pipe".

### **MATERIALS**

All pipe shall be made from quality PVC resin, compounded to provide physical and mechanical properties that equal or exceed cell class 12454 as defined in ASTM D1784.

### **HYDROSTATIC PROOF TESTING**

Each standard length of pipe is tested up to 400 psi for Pressure Class 165; 600 psi for Pressure Class 235; 800 psi for Pressure Class 305 for a minimum of 5 seconds. The integral bell shall be tested with the pipe.

**STANDARD LAYING LENGTHS**

Standard laying lengths are 20 feet for all sizes.

**PIPE**

All pipe shall be suitable for use as pressure conduit. Provisions must be made for expansion and contraction at each joint with an elastomeric gasket. The bell shall consist of an integral wall section with a factory installed, solid cross section Rieber or other elastomeric gasket, which meets the requirements of ASTM F477. The bell section shall be designed to be at least as hydrostatically strong as the pipe barrel and meet the requirements of AWWA C900. The joint design shall meet the requirements of ASTM D3139 under both pressure and 22 in. Hg vacuum. Sizes and dimensions shall be as shown in this specification.

**QUICK BURST TEST**

Randomly selected samples testing in accordance with AWWA C900 and UL 1285 shall withstand, without failure, the pressures listed below when applied for 60-70 seconds.

DR	PRESSURE CLASS (psi)		MINIMUM BURST PRESSURE AT 73 F (psi)
	AWWA C900-97/FM 1612	AWWA C900-07	
25	100	165	535
18	150	235	755
14	200	305	985

**DROP IMPACT TEST**

Pipe shall withstand, without failure using Tup "B" and Flat Rate Holder "B", at 73 F, a tup impact energy of 100 ft-lbf for all Pressure Class of 4"-12" trade sizes. There shall be no visible evidence of shattering or splitting when the energy is imposed.

**AWWA C905 PVC PLASTIC WATER PIPE SPECIFICATIONS**

**SCOPE**

This specification designates general requirements for 14" through 48" un-plasticized polyvinyl chloride (PVC) plastic water pipe with integral bell and spigot joints for the conveyance of water and other fluids. This pipe shall meet AWWA C905 ANSI/NSF-61 and ANSI/UL 1285 (14" – 24").

**MATERIALS**

Pipe shall meet the requirements of AWWA Standard C905 "Polyvinyl Chloride (PVC) Water Transmission Pipe." All pipe shall be made from quality PVC resin, compounded to provide physical and mechanical properties that equal or exceed cell class 12454 as defined in ASTM D1784.

**STANDARD LAYING LENGTHS**

Standard laying lengths are 20 feet for all sizes.

**PIPE**

All pipe shall be suitable for use as pressure conduit. Provisions must be made for expansion and contraction at each joint with an elastomeric gasket. The bell shall consist of an integral wall section with a factory installed, solid cross section Rieber/other elastomeric gasket, which meets the requirements of ASTM F477. The bell section shall be designed to be at least as hydrostatically strong as the pipe barrel and meet the requirement of AWWA C905. The joint designs shall meet requirements of ASTM D3139, under both pressure and 22 in. Hg vacuum. Sizes and dimensions shall be as shown in this specification.

EXHIBIT "A" - SPECIFICATIONS  
HIDALGO COUNTY  
"PIPES & Miscellaneous Items"  
RFB No. 2015-013-02-11-MEG

**QUICK BURST TEST**

Randomly selected samples tested in accordance with ANSI/UL 1285 shall withstand, without failure, the pressures listed below when applied for 60-70 seconds.

DR	PRESSURE RATING (psi)	MINIMUM BURST
18	235	755
25	165	535
32.5	125	400
41	100	315
51	80	255

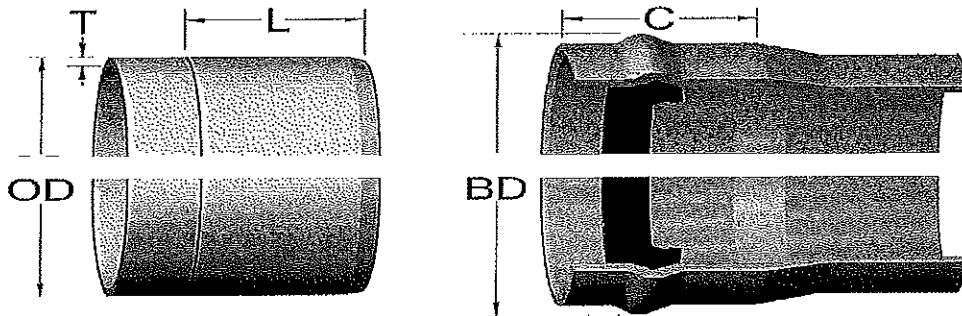
**FLATTENING TEST**

Specimens of pipe, a minimum of 6 in. (150 mm) long, shall be flattened between parallel plates in a suitable press until the distance between the plates is 40 percent of OD of the pipe. The rate of flattening shall be uniform and such that the compression is completed within 2 to 5 minutes. There shall be no evidence of splitting, cracking or breaking.

**SDR 26 AND SDR 35 GASKETED GRAVITY SANITARY SEWER PIPE**

PVC gravity sewer pipe shall be made from a compound conforming to a cell classification of 12454 or 12364 as defined by ASTM D1784 and in accordance with ASTM D3034 for sizes four inch through fifteen inch. The wall thickness, when tested according to ASTM D3412, shall correspond to a dimension ratio of SDR 35 with a pipe stiffness value of 46 or SDR 26 with a pipe stiffness of 115 for heavy wall pipe. Integral bells shall incorporate locked in gaskets meeting the requirements of ASTM D3212 and F477. The pipe shall be provided in lengths of 14 feet or 20 feet as required.

**ASTM D3034 GASKETED GRAVITY SEWER PIPE**



NOMINAL PIPE SIZE	OUTSIDE DIA. - NOM. (OD)	APPROX. BELL DIA. (BD)	APPROX. BELL DEPTH (C)	INSERT MARK (L)
4"	4.216	6.25	3.75	3.13
6"	6.275	7.50	4.63	4.00
8"	8.400	10.00	5.25	4.13
10"	10.500	12.25	5.88	5.13
12"	12.500	14.25	6.50	5.38
15"	15.300	17.25	7.75	7.38

NOMINAL PIPE SIZE	SDR 35 (t)	SDR 26 (t)
4"	.120	.162
6"	.180	.241
8"	.240	.323
10"	.300	.404
12"	.360	.481
15"	.437	.588

**HIGH PERFORMANCE (HP) POLYPROPYLENE STORM PIPE**

**1.0 SCOPE:**

This specification includes materials and test methods for 12 to 60 inch diameter HP Polypropylene Pipe. The requirements of this specification are intended to provide pipe and fittings suitable for underground use in gravity-flow applications such as storm sewers, drainage and under-drains.

**2.0 PIPE:**

12 to 30 inch HP Polypropylene Pipe shall have a smooth interior and annular exterior corrugation and are required to meet or exceed ASTM F2736 and AASHTO M330. 36 to 60 inch pipe shall have a smooth interior and annular exterior corrugations and are required to meet or exceed ASTM F2881 and AASHTO M330. Pipe and fittings shall be homogeneous throughout and free from visible cracks, holes, foreign inclusions or other injurious defects.

**3.0 FITTINGS:**

Fittings shall conform to ASTM F2736, ASTM F2881 and AASHTO M330, for the respective diameters. Bell & spigot connections shall utilize a spun-on, welded or integral bell and spigot with gaskets meeting ASTM F477. Bell & spigot fittings joint shall meet the watertight joint performance requirements of ASTM D3212. Corrugated couplings shall be split collar, engaging at least 2 full corrugations.

**4.0 JOINTS:**

HP Polypropylene Pipe shall be joined with a gasketed integral bell & spigot joint meeting the requirements of ASTM F2736 or F2881, for the respective diameters.

HP Polypropylene Pipe shall be watertight according to the requirements of ASTM D3212. Spigots shall have gaskets meeting the requirements of ASTM F477. Gasket shall be installed by the pipe manufacturer and covered with a removable, protective wrap to ensure the gasket is free from debris. A joint lubricant available from the manufacturer shall be used on the gasket and bell during assembly.

HP Polypropylene Pipe shall have a reinforced bell with a polymer composite band installed by the manufacturer.

**5.0 MATERIAL PROPERTIES:**

Polypropylene compound for pipe and fitting production shall be impact modified copolymer meeting the material requirements of ASTM F2736, Section 4, ASTM F2881, Section 5 and AASHTO M330, Section 6.1, for the respective diameters.

**6.0 INSTALLATION:**

Installation shall be in accordance with ASTM D2321, manufacturers recommended installation guidelines and plan specifications.

**7.0 PIPE DIMENSIONS:**

<b>Nominal Pipe I.D. in (mm)</b>	12 (300)	15 (375)	18 (450)	24 (600)	30 (750)	36 (900)	42 (1050)	48 (1200)	60 (1500)
<b>Average Pipe I.D. In (mm)</b>	12.1 (307)	14.9 (378)	18.0 (457)	24.1 (612)	30.1 (765)	35.7 (907)	41.8 (1062)	47.3 (1201)	59.3 (1506)
<b>Average Pipe O.D. in (mm)</b>	14.5 (368)	17.6 (447)	21.2 (538)	28.0 (711)	35.4 (899)	41.1 (1044)	47.2 (1199)	53.8 (1367)	66.5 (1689)
<b>Minimum Pipe Stiffness * @ 5% Deflection* #/in./in. (kN/m<sup>2</sup>)</b>	75 (520)	60 (411)	56 (385)	50 (343)	46 (320)	40 (275)	35 (240)	35 (240)	30 (205)

**HIGH DENSITY POLYETHYLENE PIPE (HDPE)**

**SCOPE**

This specification describes 4- through 60 inch (100 to 1500 mm) HDPE pipe (per ASTM F2648) for use in gravity-flow land drainage applications.

**PIPE Requirements**

HDPE pipe (per ASTM F2648) shall have a smooth interior and annular exterior corrugations.

- 4-through 60 inch (100 to 1500 mm) shall meet ASTM F2648
- Manning’s “n” value for use in design shall be 0.012

**Joint Performance:**

Pipe shall be joined using a bell & spigot joint meeting ASTM F2648. The joint shall be soil-tight and gaskets, when applicable, shall meet the requirements of ASTM F477. Gaskets shall be installed by the pipe manufacturer and covered with a removable wrap to ensure the gasket is free from debris. A joint lubricant supplied by the manufacturer shall be used on the gasket and bell during assembly.

**Fittings**

Fittings shall conform to ASTM F 2306. Bell and spigot connections shall utilize a spun-on or welded bell and valley or saddle gasket meeting the soil-tight joint performance requirements of ASTM F 2306.

**Material Properties**

Material for pipe production shall be an engineered compound of virgin and recycled high density polyethylene conforming with the minimum requirements of cell classification 424420C (ESCR Test Condition B) for 4-through 10 inch (100 to 250 mm) diameters, and 435420C (ESCR Test Condition B) for 12 through 60 inch (300 to 1500 mm) diameters, as defined and described in the latest version of ASTM D3350, except that carbon black content should not exceed 4%. The design engineer shall verify compatibility with overall system including structural, hydraulic, material and installation requirements for a given application.

**Installation**

Installation shall be in accordance with ASTM D2321 and manufacturers published installation guidelines, with the exception that minimum cover in trafficked areas for 4-through 48 inch (100 to 1200 mm ) diameters shall be one foot. (0.3 m) and for 60 inch (1500 mm) diameters, the minimum cover shall be 2 ft. (0.6 mm) in single run applications. Backfill for minimum fill heights depend on embedment material and compaction level; Please refer to manufactures guide lines.

<b>Pipe I.D. In mm</b>	4 (100)	6 (150)	8 (200)	10 (250)	12 (300)	15 (375)	18 (450)	24 (600)	30 (750)	36 (900)	42 (1050)	48 (1200)	60 (1500)
<b>Pipe O.D. * In mm</b>	4.8 (122)	6.9 (175)	9.1 (231)	11.4 (290)	14.5 (368)	18 (457)	22 (559)	28 (711)	36 (914)	42 (1067)	48 (1219)	54 (1372)	67 (1702)
<b>Perforations</b>	All diameters availability with or without perforation												

\*Pipe O.D. values are provided for reference purposes only. Values stated for 12 through 60 inch are +/- 1 inch.

## TERMS & CONDITIONS:

1. The contract term will be for a period of one (1) year period with Hidalgo County's option to extend the contract for an additional one (1) year under the same rates, terms and conditions.
2. Hidalgo County reserves the right to continue this bid for an additional sixty (60) day grace period at the end of the contract term for unforeseen delay in award of new bid for next contract.
3. Hidalgo County reserves the right to hold the bids received for a period of ninety (90) days without taking action hereon.
4. Hidalgo County may award the bid on a lump sum basis to one (1) bidder or to multiple bidders on an item by item basis in each category, whichever is in the best interest of the County. For evaluation and consideration of items bid, samples will be submitted upon request. Categories will be as follows.
5. Hidalgo County reserves the right to reject any/all bids, to waive any/all formalities or Technicalities, or to accept the bid considered the best and most advantageous to the County.
6. After bid is awarded and low bidder(s) default(s) in meeting the general instructions to bidders and/or comply with contractual agreement, Hidalgo County reserves the right to seek services from the next low bidder(s). In such event, County shall charge the successful bidder(s) the difference for any additional cost of such item(s).
7. Any contract awarded to a successful bidder will be in effect until:
  - (a) The contract expires,
  - (b) Delivery and acceptance of products and/or performance of service ordered,
  - (c) Terminated by County with thirty (30) days written notice prior to cancellation.
8. It is understood and agreed that in case Hidalgo County should need "any items listed" and it is not available within the time frame needed from the successful Bidder during the term of this contract, Hidalgo County reserves the right to purchase these items from other sources other than the successful Bidder and shall not be in violation of any terms or conditions of said contract.
9. After Bid is awarded and successful awarded contractor(s) default(s) in meeting the general instructions to bidder(s) and/or compiling with Bid agreement, Hidalgo County reserves the right to seek services from the next low bidder. In such event, County shall charge the successful bidder the difference for any additional cost to such item.
10. Hidalgo County reserves the right to seek purchases from State awarded vendors or any other Cooperative Purchasing programs, whenever it is in the best interest of the County to do so.
11. Insurance requirements for this project to be maintained throughout the contract term (Refer to limits on the Exhibit "C" for limits); insurance certificate must be submitted to the Purchasing Department prior to any services being performed by the awarded bidder.
12. The bidder(s) awarded the contract **cannot** engage the services of a **subcontractor without prior written consent of Hidalgo County** to perform services hereunder. The successful bidder(s) must present evidence that the proposed subcontractor possess all the necessary licenses and permits to perform the services and that subcontractor has obtained the required insurance.

13. Bidder(s) agree that to the extent an item(s) is unavailable for Bidder's own inventory, Bidder(s) will be responsible for locating an alternative supplier and for providing the product or service to Hidalgo County.

All costs and expenses associated with the preparation and submission of proposals shall be the responsibility of the submitter and no reimbursements for such charges or expenses shall be passed onto the County.

**Market Volatility and Unit Price Adjustments:**

Hidalgo County recognizes that during periods of national crisis and unstable economic conditions, unforeseen price increases might affect costs for goods and services contracted on an annual basis. The following procedure may be employed to mediate price volatility:

- **Requesting Price Adjustment:** Upon written request of the Vendor to the County Purchasing Agent, the County may review evidence of prevailing industry-wide market conditions that warrant an adjustment in bid prices contained in the contract.
- A Vendor must tie any price change clause to an industry-wide or otherwise nationally recognized index, or some other form of verifiable document. Such written request must be accompanied by a certified copy of the supplier's advisory or notification to the vendor of the price changes.
- The Vendor must put the Purchasing Agent on the mailing lists for such publications so that the Purchasing Agent can monitor said changes. Such membership shall be at no cost to the County.
- The County Purchasing Agent retains the right to determine whether or not such proposed price changes are in the best interest of the County.
- No price escalation will be authorized in excess of the amount of the increase referred to in the supplier's notice.
- The County may only grant a price increase if the evidence presented is deemed reliable. Should the County allow a price increase, the approved price change shall be honored for all orders received by the vendor or contractor after the effective date of such price change. Approved price changes are not applicable to orders already issued and in process at time of price change.
- **Price Reduction:** Vendor shall notify the County at the time when the Vendor's costs for items and/or supplies reduce due to stabilization in the market at which time prices for items on this contract shall be reduced accordingly. Failure by the Vendor to notify the County of a decrease in costs for items and/or supplies for which the Vendor was granted a price adjustment, may result in immediate termination of this contract and the County shall not be obligated to pay the Vendor the difference between the contract price and the price adjustment.
- **Time Frame for Adjusted Price Increases:** Price increases are only valid for the quarter in which they are requested and approved. Prices shall return to the original contract price at the beginning of the following quarter unless a Vendor notifies the County in writing within ten (10) days of expiration of the quarter in which the price increase is in effect, that it desires to have the price increase continue or that the Vendor

EXHIBIT "A" – SPECIFICATIONS  
HIDALGO COUNTY  
"PIPES & Miscellaneous Items"  
RFB No. 2015-013-02-11-MEG

---

is requesting a different price increase for the following quarter. Such request must be supplemented with sufficient justification to demonstrate that the price increase remains necessary. The County Purchasing Department shall have sole discretion whether to grant the price increase extension. The County too, shall have discretion to unilaterally reduce, eliminate or extend a price adjustment to the Vendor at any time upon written notice from the County to the Vendor demonstrating justification for such reduction, elimination or extension of the price adjustment.

**Allowable Review Periods:** Price adjustment reviews may only be requested by the Vendor on a quarterly basis. However, the County may at its own discretion, conduct temporary price adjustment reviews at any time. The County Purchasing Agent and/or the County Auditor reserve the right to audit and/or examine any pertinent books, documents, papers, records or invoices relating directly to the contract transaction in question after reasonable notice and during normal business hours.

**Dollar Limit to Price Changes:** The total increase in contract price shall not exceed twenty-five percent (25%) of the original contract price during the contract term.

**ADDITIONAL INFORMATION**

Further information for this project can be addressed through the Hidalgo County Purchasing Department through Elena Gomez. Hidalgo County is also requesting that any and all questions, inquiries and clarifications regarding this bid be addressed to Martha L. Salazar, CPPB/Purchasing Agent at 2802 S. Business Highway 281, Edinburg, Texas 78539. **TELEPHONE INQUIRIES WILL NOT BE ACCEPTED.**

All written inquiries will be accepted via facsimile (956) 318-2629 or e-mail [elena.gomez@co.hidalgo.tx.us](mailto:elena.gomez@co.hidalgo.tx.us) no later than, Tuesday, ~~February 03, 2015~~ at 5:00 p.m. Responses to said inquiries will be sent to all applicants via-facsimile by no later than 5:00 p.m., ~~Friday, February 06, 2015~~.

**EXHIBIT "B"**

**BID PAGE**

**REQUEST FOR BIDS**

**HIDALGO COUNTY  
"PIPES and Miscellaneous Items"**

**RFB No.: 2015-013-02-11-MEG**

EXHIBIT "B" - BID PAGE  
 "PIPES & Miscellaneous Items" - Hidalgo County  
 RFB NO. 2015-013-02-11-MEG

CATEGORY (A) - PIPES

CORRUGATED POLYVINYL CHLORIDE (PVC) STORM SEWER PIPE		
NIGP CODE: 665-89 Polyvinyl Chloride (PVC)		
DESCRIPTION	PRICE	
12"		LF
15"		LF
18"		LF
24"		LF
30"		LF
36"		LF
42"		LF
48"		LF

CORRUGATED STEEL STORM SEWER PIPE			
NIGP CODE: 210-29 - Corrugated Galvanized Metal Pipe			
(UNIT PRICE INCLUDES ONE GASKETED BAND CONNECTION FOR EVERY 20 FOOT JOINT)			
DIAMETER	TYPE "IR" PIPE PRICE	TYPE "T" PIPE PRICE	TYPE "IA" PIPE PRICE
12"			LF
18"			LF
24"			LF
30"			LF
36"			LF
42"			LF
48"			LF
54"			LF
60"			LF
66"			LF
72"			LF
78"			LF
84"			LF
90"			LF
96"			LF
102"			LF
108"			LF
114"			LF
120"			LF
126"			LF
132"			LF
138"			LF
144"			LF

EXHIBIT "B" - BID PAGE  
 "PIPES & Miscellaneous Items)" - Hidalgo County  
 RFB NO. 2015-013-02-11-MEG

REINFORCED CONCRETE PIPE - RUBBER GASKET JOINT PIPE					
NIGP CODE: 658-68					
DESCRIPTION	CLASS III PRICE		CLASS IV PRICE		CLASS V PRICE
12"		LF		LF	LF
15"		LF		LF	LF
18"		LF		LF	LF
24"		LF		LF	LF
30"		LF		LF	LF
36"		LF		LF	LF
42"		LF		LF	LF
48"		LF		LF	LF
54"		LF		LF	LF
60"		LF		LF	LF
72"		LF		LF	LF

REINFORCED CONCRETE PIPE - TONGUE & GROOVE PIPE					
NIGP CODE: 658-68					
DESCRIPTION	CLASS III PRICE		CLASS IV PRICE		CLASS V PRICE
12"		LF		LF	LF
15"		LF		LF	LF
18"		LF		LF	LF
24"		LF		LF	LF
30"		LF		LF	LF
36"		LF		LF	LF
42"		LF		LF	LF
48"		LF		LF	LF
54"		LF		LF	LF
60"		LF		LF	LF
72"		LF		LF	LF

REINFORCED POLYTHYLENE PIPE - 20 FOOT JOINTS		
NIGP CODE: 658-58		
Description	Price	
24"		LF
30"		LF
36"		LF
42"		LF
48"		LF
54"		LF
60"		LF
72"		LF
84"		LF
96"		LF

**EXHIBIT "B" - BID PAGE  
 "PIPES & Miscellaneous Items)" - Hidalgo County  
 RFB NO. 2015-013-02-11-MEG**

<b>AWWA C900 PVC PLASTIC PRESSURE PIPE NIGP CODE 658-56 PLASTIC PIPES OR 658-60 PVC PIPES</b>					
DESCRIPTION	DR 14 PRICE		DR 18 PRICE		DR 25 PRICE
4"		LF		LF	LF
6"		LF		LF	LF
8"		LF		LF	LF
10"		LF		LF	LF
12"		LF		LF	LF

<b>AWWA C905 PVC PLASTIC WATER PIPE NIGP CODE 658-56 PLASTIC PIPES OR 658-60 PVC PIPES</b>									
DESCRIPTION	DR 18 PRICE		DR 25 PRICE		DR 32.5 PRICE		DR 41 PRICE		DR 51 PRICE
14"		LF		LF		LF		LF	LF
16"		LF		LF		LF		LF	LF
18"		LF		LF		LF		LF	LF
24"		LF		LF		LF		LF	LF
30"		LF		LF		LF		LF	LF
36"		LF		LF		LF		LF	LF
42"		LF		LF		LF		LF	LF
48"		LF		LF		LF		LF	LF

<b>SDR 26 AND SDR 35 GASKETED GRAVITY SANITARY SEWER PIPE NIGP CODE 210-35 SEWER PIPE JOINT SEALING COMPOUND</b>				
SIZE OF PIPE	SDR 26		SDR 35	
4"		LF		LF
6"		LF		LF
8"		LF		LF
10"		LF		LF
12"		LF		LF
15"		LF		LF

<b>HIGH PERFORMANCE (HP) POLYPROPYLENE STORM PIPE</b>		
DESCRIPTION	PRICE	
12"		LF
15"		LF
18"		LF
24"		LF
30"		LF
36"		LF
42"		LF
48"		LF
60"		LF

EXHIBIT "B" - BID PAGE  
 "PIPES & Miscellaneous Items)" - Hidalgo County  
 RFB NO. 2015-013-02-11-MEG

HIGH DESTINY POLYETHYLENE PIPE (HDPE)		
NIGP CODE: 658-58 Polyethylene Pipe And Fitting		
DESCRIPTION	PRICE	
4"		LF
6"		LF
8"		LF
10"		LF
12"		LF
15"		LF
18"		LF
24"		LF
30"		LF
36"		LF
42"		LF
48"		LF
54"		LF
60"		LF

PLUMBING PIPES - 20 FOOT SECTIONS			
NIGP CODE 967-60			
PVC	PRICE		COPPER
1/2"			1/2"
1 1/2"			3/4"
2"			
3"			
4"			

EXHIBIT "B" - BID PAGE  
 "PIPES & Miscellaneous Items)" - Hidalgo County  
 RFB NO. 2015-013-02-11-MEG

CATEGORY (B) - INLETS  
 NIGP CODE 210-31

INLETS, AREA, SEWER DRAIN, PRECAST, CONCRETE, STORM DRAIN NO BOTTOM FLOORS

DESCRIPTION	2'	2 1/2'	3'	3 1/2'	4'	4 1/2'	5'	5 1/2'	6'	6 1/2'	7'	7 1/2'	8'	8 1/2'	9'	9 1/2'	10'
Type "A" Inlet (5' x 3')																	
Type "A-1" Inlet (5' x 4')																	
Type "A-2" Inlet (5' x 5')																	
Type "A-3" Inlet (5' x 6')																	
Type "A" (SPL-1) Inlet (5' x 3')																	
Type "A-1" (SPL-1) Inlet (5' x 4')																	
Type "A-2" (SPL-1) Inlet (5' x 5')																	
Type "A-3" (SPL-1) Inlet (5' x 6')																	
TYPE "C" INLET 2' X 2'																	
TYPE "C" INLET 3' X 3'																	
TYPE "C" INLET 4' X 4'																	
TYPE "CC" INLET 5' x 3'																	
Type "F" Inlet (W=3')																	



EXHIBIT "B" - BID PAGE  
 "PIPES & Miscellaneous Items)" - Hidalgo County  
 RFB NO. 2015-013-02-11-MEG

**CATEGORY (D) - MISCELLANEOUS**

DESCRIPTION	UNIT	PRICE
<b>WATER VALVE</b>		
2"	ea	
4"	ea	
6"	ea	
8"	ea	
10"	ea	
<b>90 DEGREE ELBOW</b>		
2"	ea	
4"	ea	
6"	ea	
8"	ea	
10"	ea	
<b>45 DEGREE ELBOW</b>		
2"	ea	
4"	ea	
6"	ea	
8"	ea	
10"	ea	
<b>STEEL PIPE CASING WITH SPACERS</b>		
4"	Lf	
6"	Lf	
12"	Lf	
16"	Lf	
24"	Lf	
<b>FIRE HYDRANT W/VALVE</b>	<b>EA</b>	
<b>PVC SCHEDULE 40 WATER LINE DR 18</b>		
2"	Lf	
8"	Lf	
<b>PVC SCHEDULE 40</b>		
1.5"	Lf	
0.75"	Lf	
0.5"	Lf	
<b>WATER SADDLE W/2" CORPORATE VALVE</b>		
8" x 2"	ea	

EXHIBIT "B" - BID PAGE  
 "PIPES & Miscellaneous Items)" - Hidalgo County  
 RFB NO. 2015-013-02-11-MEG

HP Dual Wall Marmac Couplers		
Pipe Size	Price	Unit
12"		EA
15"		EA
18"		EA
24"		EA
30"		EA
36"		EA
42"		EA
48"		EA
60"		EA

HP Dual Wall Fabricated Tees		
Pipe Size	Price	Unit
12"		EA
15"		EA
18"		EA
24"		EA
30"		EA
36"		EA
42"		EA
48"		EA
60"		EA

HP Dual Wall Fabricated Bends						
Pipe Size	11.25 Bend	22.5 Bend	30* Bend	45* Bend	90* Bend	Unit
12"						EA
15"						EA
18"						EA
24"						EA
30"						EA
36"						EA
42"						EA
48"						EA
60"						EA

**EXHIBIT "B" - BID PAGE**  
**"PIPES & Miscellaneous Items)" - Hidalgo County**  
**RFB NO. 2015-013-02-11-MEG**

---

---

BIDDER/COMPANY NAME: \_\_\_\_\_

ADDRESS: \_\_\_\_\_

CITY: \_\_\_\_\_ STATE: \_\_\_\_\_ ZIP CODE: \_\_\_\_\_

PHONE No: \_\_\_\_\_ FAX No: \_\_\_\_\_ CELL No: \_\_\_\_\_

AUTHORIZED SIGNATURE: \_\_\_\_\_

PRINTED NAME: \_\_\_\_\_

TITLE: \_\_\_\_\_ DATE: \_\_\_\_\_

EMAIL: \_\_\_\_\_

EXHIBIT "C"  
INSURANCE REQUIREMENTS

REQUEST FOR BIDS

HIDALGO COUNTY  
"PIPES and Miscellaneous Items"

RFB No.: 2015-013-02-11-MEG

**EXHIBIT "C"**  
**Insurance Requirements**  
**Applicable to the Acquisition of Goods and /or Services**  
**(other than Professional Services)**

The Bidder awarded the contract shall furnish proof of insurance, which will also include any subcontractor that is subcontracted by the bidder in at least the following limits, to be in place prior to providing any services under this Contract and to continue at all times in force in effect during the term of this Contract:

1. A Five Hundred Thousand Dollar (\$500,000.00) Comprehensive General Liability insurance policy providing additional coverage to all underlying liabilities of County.
2. Automobile liability insurance policy with limits of at least Three Hundred Thousand Dollars (\$300,000.00) per person and Five Hundred Thousand Dollars (\$500,000.00) per occurrence. Coverage should include injury to or death of persons and property damage claims with limits up to Five Hundred Thousand (\$500,000.00) arising out of the services provided to County hereunder.
3. Uninsured/Underinsured motorist coverage in an amount equal to the bodily injury limits set forth immediately above;
4. Workers compensation insurance in amounts established by Texas law, unless the Bidder is specifically exempted from the Texas Workers Compensation Act, Texas Labor Code Chapter 401, et. seq.

**Hidalgo County will only accept certificates of insurance on an Acord form (as attached hereto).** Certificates of insurance naming County as an **additional insured** shall be submitted to County for approval prior to any services being performed by Contractor. Each policy of insurance required hereunder shall extend for a period equivalent to, or longer than the term of the Contract, and any insurer hereunder shall be required to give at least thirty (30) days written notice to the County prior to the cancellation of any such coverage on the termination date, or otherwise. This Contract shall be automatically suspended upon the cancellation, or other termination, of any required policy of insurance hereunder, and such suspension shall continue until evidence adequate replacement coverage is provided to County. If replacement coverage is not provided within thirty (30) days following suspension of the Contract, this Contract shall automatically terminate.

<b>ACORD</b>		<b>CERTIFICATE OF INSURANCE</b>		DATE (MM/DD/YY)
PRODUCER		THIS CERTIFICATE IS ISSUED AS A MATTER OF INFORMATION ONLY AND CONFERS NO RIGHTS UPON THE CERTIFICATE HOLDER. THIS CERTIFICATE DOES NOT AMEND, EXTEND OR ALTER THE COVERAGE AFFORDED BY THE POLICIES BELOW.		
INSURED		INSURERS AFFORDING COVERAGE		
		INSURER A:		
		INSURER B:		
		INSURER C:		
		INSURER D:		
		INSURER E:		

**COVERAGES**

THE POLICIES OF INSURANCE LISTED BELOW HAVE BEEN ISSUED TO THE INSURED NAMED ABOVE FOR THE POLICY PERIOD INDICATED. NOTWITHSTANDING ANY REQUIREMENT, TERM OR CONDITION OF ANY CONTRACT OR OTHER DOCUMENT WITH RESPECT TO WHICH THIS CERTIFICATE MAY BE ISSUED OR MAY PERTAIN, THE INSURANCE AFFORDED BY THE POLICIES DESCRIBED HEREIN IS SUBJECT TO ALL THEIR TERMS, EXCLUSIONS AND CONDITIONS OF SUCH POLICIES. AGGREGATE LIMITS SHOWN MAY HAVE BEEN REDUCED BY PAID CLAIMS.

INSR LTR	TYPE OF INSURANCE	POLICY NUMBER	POLICY EFFECTIVE DATE (MM/DD/YY)	POLICY EXPIRATION DATE (MM/DD/YY)	LIMITS	
A	<b>GENERAL LIABILITY</b>				EACH OCCURRENCE	\$
	<input type="checkbox"/> COMMERCIAL GENERAL LIABILITY				PROPERTY DAMAGE (Any and Use)	\$
	<input type="checkbox"/> CLAIMS MADE OCCUR				MED (Any one Person)	\$
	<input type="checkbox"/> OWNER'S & CONT. PROT				PERSONAL & ADV INJURY	\$
	<input type="checkbox"/> OWNER'S PROTECTIVE LIABILITY				ANNUAL AGGREGATE	\$
	<input type="checkbox"/> GEN'L AGGREGATE LIMIT APPLIES PER: POLICY PROJECT <input type="checkbox"/> LOG				PRODUCTS - COMPROP	\$
B	<b>AUTOMOBILE LIABILITY</b>				COMBINED SINGLE LIMIT (Per accident)	\$
	<input type="checkbox"/> ANY AUTO				BODILY INJURY (Per person)	\$
	<input type="checkbox"/> ALL OWNED AUTOS				BODILY INJURY (Per accident)	\$
	<input type="checkbox"/> SCHEDULED AUTOS				PROPERTY DAMAGE (Per accident)	\$
	<input type="checkbox"/> HIRED AUTOS					
<input type="checkbox"/> NON-OWNED AUTOS						
	<b>GARAGE LIABILITY</b>				AUTO ONLY-EA ACCIDENT	\$
	<input type="checkbox"/> ANY AUTO				OTHER THAN AUTO ONLY EA ACC	\$
					AGG	\$
C	<b>EXCESS LIABILITY</b>				EACH OCCURRENCE	\$
	<input type="checkbox"/> OCCUR <input type="checkbox"/> CLAIMS MADE				AGGREGATE	\$
	<input type="checkbox"/> DEDUCTIBLE					\$
	<input type="checkbox"/> RETENTION \$					\$
D	<b>WORKERS COMPENSATION AND EMPLOYER'S LIABILITY</b>				WC STAT - OTHER TORY LIMITS	
					E.L. EACH ACCIDENT	\$
					E.L. DISEASE-EA EMPLOYEE	\$
					E.L. DISEASE-POLICY LIMIT	\$
	<b>OTHER</b>					

DESCRIPTION OF OPERATIONS / LOCATION / VEHICLES / EXCLUSIONS ADDED BY ENDORSEMENT / SPECIAL PROVISIONS  
 County of Hidalgo shall be named as additional insured on all Commercial General Liability policies.

CERTIFICATE HOLDER	ADDITIONAL INSURED; INSURER LETTER:	CANCELLATION
Hidalgo County Attn: Purchasing Department 2812 S Highway Bus. 281 Edinburg, Texas 78539		SHOULD ANY OF THE ABOVE DESCRIBED POLICIES BE CANCELLED BEFORE THE EXPIRATION DATE THEREOF, THE ISSUING INSURER WILL ENDEAVOR TO MAIL 30 DAYS WRITTEN NOTICE TO THE CERTIFICATE HOLDER NAMED TO THE LEFT, BUT FAILURE TO DO SO SHALL IMPOSE NO OBLIGATION OR LIABILITY OF ANY KIND UPON THE INSURER, ITS AGENTS OR REPRESENTATIVES. AUTHORIZED REPRESENTATIVE

# Insurance Requirement Acknowledgment

I, \_\_\_\_\_, authorized representative for \_\_\_\_\_,  
Company/Vendor

hereby acknowledge receipt of the County's required insurance limits. Said requirements:

- will be acquired within 10 working days after notification from Purchasing Department of bid awarded by the Hidalgo County Commissioners' Court;
- will acquire additional amounts required to meet the County's requirements within 10 working days after notification from Purchasing Department of bid award by the Hidalgo County Commissioners' Court; currently carry the following:

Automobile Liability: \$ \_\_\_\_\_ General Liability: \$ \_\_\_\_\_

- have already been met, see attached copy of insurance certificate.

\_\_\_\_\_  
Authorized Representative

\_\_\_\_\_  
Date

## **Notice to Bidder:**

A certificate of insurance for the required insurance limits shall be provided to the Purchasing Department's Contract Managers in order to qualify for award of bid and to execute a contract between your Company and the County

Failure to provide Certificates of Insurance to the Purchasing Department's Contract Managers will cause the bid award to be rescinded and re-awarded to next lowest bidder. Certificates of Insurance will be monitored and verified on a **quarterly basis** to ensure coverage policy is in place. It is the Company's obligation to maintain the appropriate insurance coverage throughout the term of the contract.

**THIS FORM MUST ACCOMPANY BID PACKET**

**PROJECT REQUIREMENTS  
ACKNOWLEDGMENT**

This is to certify that I, \_\_\_\_\_, possess all of the APPLICABLE:

- 1. Licenses: \_\_\_\_\_
- 2. Bond (if applicable) \_\_\_\_\_
- 3. Certificates: \_\_\_\_\_
- 4. Permits: \_\_\_\_\_
- 5. Other: \_\_\_\_\_

necessary to carry out the required project. Furthermore, I am providing copies of the required documentation so that, if my company is awarded this bid, I may be eligible to enter into a contract with Hidalgo County and proceed to complete the project in a timely manner.

\* Any licenses, bonds (if applicable), certificates, permits, etc. which are required must be presented as part of the bid packet in order to expedite the bid evaluation process.

\_\_\_\_\_  
Authorized Signature

\_\_\_\_\_  
Date

\_\_\_\_\_  
Company

\_\_\_\_\_  
Address

\_\_\_\_\_  
City, State, Zip

**THIS FORM MUST ACCOMPANY BID PACKET**

# EXHIBIT “D”

CIQ FORM  
CONFLICT OF INTEREST QUESTIONNAIRE

REQUEST FOR BIDS

HIDALGO COUNTY  
“PIPES and Miscellaneous Items”

RFB No.: 2015-013-02-11-MEG

# EXHIBIT "D"

## CONFLICT OF INTEREST QUESTIONNAIRE

FORM CIQ

For vendor or other person doing business with local governmental entity

This questionnaire reflects changes made to the law by H.B. 1491, 80th Leg., Regular Session. This questionnaire is being filed in accordance with Chapter 176, Local Government Code by a person who has a business relationship as defined by Section 176.001(1-a) with a local governmental entity and the person meets requirements under Section 176.006(a). By law this questionnaire must be filed with the records administrator of the local governmental entity not later than the 7th business day after the date the person becomes aware of facts that require the statement to be filed. See Section 176.006, Local Government Code. A person commits an offense if the person knowingly violates Section 176.006, Local Government Code. An offense under this section is a Class C misdemeanor.

### OFFICE USE ONLY

Date Received

1 Name of person who has a business relationship with local governmental entity.

2  Check this box if you are filing an update to a previously filed questionnaire.

(The law requires that you file an updated completed questionnaire with the appropriate filing authority not later than the 7th business day after the date the originally filed questionnaire becomes incomplete or inaccurate.)

3 Name of local government officer with whom filer has employment or business relationship.

\_\_\_\_\_  
Name of Officer

This section (Item 3 including subparts A, B, C & D) must be completed for each officer with whom the filer has an employment or other business relationship as defined by Section 176.001(1-a), Local Government Code. Attach additional pages to this Form CIQ as necessary.

A. Is the local government officer named in this section receiving or likely to receive taxable income, other than investment income, from the filer of the questionnaire?

Yes  No

B. Is the filer of the questionnaire receiving or likely to receive taxable income, other than investment income, from or at the direction of the local government officer named in this section AND the taxable income is not received from the local governmental entity?

Yes  No

C. Is the filer of this questionnaire employed by a corporation or other business entity with respect to which the local government officer serves as an officer or director, or holds an ownership of 10 percent or more?

Yes  No

D. Describe each employment or business relationship with the local government officer named in this section.

4

\_\_\_\_\_  
Signature of person doing business with the governmental entity

\_\_\_\_\_  
Date

Adopted 06/29/2007

VENDOR'S  
APPLICATION  
&  
W-9 FORM

REQUEST FOR BIDS

HIDALGO COUNTY  
"PIPES and Miscellaneous Items"

RFB No.: 2015-013-02-11-MEG



**HISTORICALLY UNDERUTILIZED BUSINESS (HUB) DECLARATION**

The primary objective of the Hidalgo County HUB Program is to ensure Historically Underutilized Businesses receive a fair and equal opportunity for participation in the County's procurement process. This fact holds true for Services (Professional & Non-Professional), Commodities, and Construction contracts and any subcontracts thereto. The program strongly encourages Prime Contractors to provide subcontracting opportunities to Certified Hub Contractors/Vendors. Our goal for HUB contractor/vendor participation, as well as HUB subcontractor participation is 30%. To be considered as a "Certified HUB Contractor/Vendor" the contractor/vendor must have been certified by, and hold a current and valid certification with any of the three agencies listed below.

Have you been Certified as a HUB or an MBE/WBE source?:  Yes  No

If yes, by whom?:  Texas Building & Procurement Commission  Other \_\_\_\_\_

Indicate Certification No(s): \_\_\_\_\_ or Are Certificate(s) Attached?:  Yes  No

**LIST OF CERTIFIED HUB SUBCONTRACTORS**  
(Attach additional pages if necessary)

What percentage of the Bid, RFP, or RFQ is to be subcontracted with Certified HUB sources?: \_\_\_\_\_%  
(List HUB Subcontractor information below).

HUB Subcontractor Name: \_\_\_\_\_ HUB Status: \_\_\_\_\_  
Certifying Agency (Check all applicable):  Texas Building & Procurement Commission  Other  
Address: \_\_\_\_\_ City: \_\_\_\_\_ State: \_\_\_\_\_ Zip: \_\_\_\_\_  
Contact Person: \_\_\_\_\_ Title: \_\_\_\_\_ Phone No.: ( ) \_\_\_\_\_  
Subcontract Amount: \$ \_\_\_\_\_ Description of Work to be Performed: \_\_\_\_\_

HUB Subcontractor Name: \_\_\_\_\_ HUB Status: \_\_\_\_\_  
Certifying Agency (Check all applicable):  Texas Building & Procurement Commission  Other  
Address: \_\_\_\_\_ City: \_\_\_\_\_ State: \_\_\_\_\_ Zip: \_\_\_\_\_  
Contact Person: \_\_\_\_\_ Title: \_\_\_\_\_ Phone No.: ( ) \_\_\_\_\_  
Subcontract Amount: \$ \_\_\_\_\_ Description of Work to be Performed: \_\_\_\_\_

HUB Subcontractor Name: \_\_\_\_\_ HUB Status: \_\_\_\_\_  
Certifying Agency (Check all applicable):  Texas Building & Procurement Commission  Other  
Address: \_\_\_\_\_ City: \_\_\_\_\_ State: \_\_\_\_\_ Zip: \_\_\_\_\_  
Contact Person: \_\_\_\_\_ Title: \_\_\_\_\_ Phone No.: ( ) \_\_\_\_\_  
Subcontract Amount: \$ \_\_\_\_\_ Description of Work to be Performed: \_\_\_\_\_

## Request for Taxpayer Identification Number and Certification

Give Form to the  
requester. Do not  
send to the IRS.

Print or type See Specific Instructions on page 2.	Name (as shown on your income tax return)	
	Business name/disregarded entity name, if different from above	
	Check appropriate box for federal tax classification: <input type="checkbox"/> Individual/sole proprietor <input type="checkbox"/> C Corporation <input type="checkbox"/> S Corporation <input type="checkbox"/> Partnership <input type="checkbox"/> Trust/estate  <input type="checkbox"/> Limited liability company. Enter the tax classification (C=C corporation, S=S corporation, P=partnership) ▶ _____  <input type="checkbox"/> Other (see instructions) ▶ _____	Exemptions (see instructions):  Exempt payee code (if any) _____ Exemption from FATCA reporting code (if any) _____
	Address (number, street, and apt. or suite no.)	Requester's name and address (optional)
	City, state, and ZIP code	
List account number(s) here (optional)		

<b>Part I Taxpayer Identification Number (TIN)</b>	<b>Social security number</b>																								
Enter your TIN in the appropriate box. The TIN provided must match the name given on the "Name" line to avoid backup withholding. For individuals, this is your social security number (SSN). However, for a resident alien, sole proprietor, or disregarded entity, see the Part I Instructions on page 3. For other entities, it is your employer identification number (EIN). If you do not have a number, see <i>How to get a TIN</i> on page 3.  <b>Note.</b> If the account is in more than one name, see the chart on page 4 for guidelines on whose number to enter.	<table border="1" style="margin: auto;"> <tr><td style="width: 20px; height: 20px;"></td><td style="width: 20px; height: 20px;"></td><td style="width: 20px; height: 20px;"></td><td style="width: 20px; height: 20px;"></td></tr> <tr><td colspan="4" style="text-align: center;">-</td></tr> <tr><td style="width: 20px; height: 20px;"></td><td style="width: 20px; height: 20px;"></td><td style="width: 20px; height: 20px;"></td><td style="width: 20px; height: 20px;"></td></tr> <tr><td colspan="4" style="text-align: center;">-</td></tr> <tr><td style="width: 20px; height: 20px;"></td><td style="width: 20px; height: 20px;"></td><td style="width: 20px; height: 20px;"></td><td style="width: 20px; height: 20px;"></td></tr> </table>					-								-											
-																									
-																									
	<b>Employer identification number</b>																								
	<table border="1" style="margin: auto;"> <tr><td style="width: 20px; height: 20px;"></td><td style="width: 20px; height: 20px;"></td><td style="width: 20px; height: 20px;"></td><td style="width: 20px; height: 20px;"></td><td style="width: 20px; height: 20px;"></td><td style="width: 20px; height: 20px;"></td><td style="width: 20px; height: 20px;"></td><td style="width: 20px; height: 20px;"></td></tr> <tr><td colspan="8" style="text-align: center;">-</td></tr> <tr><td style="width: 20px; height: 20px;"></td><td style="width: 20px; height: 20px;"></td><td style="width: 20px; height: 20px;"></td><td style="width: 20px; height: 20px;"></td><td style="width: 20px; height: 20px;"></td><td style="width: 20px; height: 20px;"></td><td style="width: 20px; height: 20px;"></td><td style="width: 20px; height: 20px;"></td></tr> </table>									-															
-																									

<b>Part II Certification</b>	
Under penalties of perjury, I certify that:	
1. The number shown on this form is my correct taxpayer identification number (or I am waiting for a number to be issued to me), and 2. I am not subject to backup withholding because: (a) I am exempt from backup withholding, or (b) I have not been notified by the Internal Revenue Service (IRS) that I am subject to backup withholding as a result of a failure to report all interest or dividends, or (c) the IRS has notified me that I am no longer subject to backup withholding, and 3. I am a U.S. citizen or other U.S. person (defined below), and 4. The FATCA code(s) entered on this form (if any) indicating that I am exempt from FATCA reporting is correct.	
<b>Certification instructions.</b> You must cross out item 2 above if you have been notified by the IRS that you are currently subject to backup withholding because you have failed to report all interest and dividends on your tax return. For real estate transactions, item 2 does not apply. For mortgage interest paid, acquisition or abandonment of secured property, cancellation of debt, contributions to an individual retirement arrangement (IRA), and generally, payments other than interest and dividends, you are not required to sign the certification, but you must provide your correct TIN. See the instructions on page 3.	
<b>Sign Here</b>	Signature of U.S. person ▶ _____  Date ▶ _____

**General Instructions**

Section references are to the Internal Revenue Code unless otherwise noted. Future developments. The IRS has created a page on IRS.gov for information about Form W-9, at [www.irs.gov/w9](http://www.irs.gov/w9). Information about any future developments affecting Form W-9 (such as legislation enacted after we release it) will be posted on that page.

**Purpose of Form**

A person who is required to file an information return with the IRS must obtain your correct taxpayer identification number (TIN) to report, for example, income paid to you, payments made to you in settlement of payment card and third party network transactions, real estate transactions, mortgage interest you paid, acquisition or abandonment of secured property, cancellation of debt, or contributions you made to an IRA.

Use Form W-9 only if you are a U.S. person (including a resident alien), to provide your correct TIN to the person requesting it (the requester) and, when applicable, to:

- Certify that the TIN you are giving is correct (or you are waiting for a number to be issued),
- Certify that you are not subject to backup withholding, or
- Claim exemption from backup withholding if you are a U.S. exempt payee. If applicable, you are also certifying that as a U.S. person, your allocable share of any partnership income from a U.S. trade or business is not subject to the

withholding tax on foreign partners' share of effectively connected income, and

4. Certify that FATCA code(s) entered on this form (if any) indicating that you are exempt from the FATCA reporting, is correct.

**Note.** If you are a U.S. person and a requester gives you a form other than Form W-9 to request your TIN, you must use the requester's form if it is substantially similar to this Form W-9.

**Definition of a U.S. person.** For federal tax purposes, you are considered a U.S. person if you are:

- An individual who is a U.S. citizen or U.S. resident alien,
- A partnership, corporation, company, or association created or organized in the United States or under the laws of the United States,
- An estate (other than a foreign estate), or
- A domestic trust (as defined in Regulations section 301.7701-7).

**Special rules for partnerships.** Partnerships that conduct a trade or business in the United States are generally required to pay a withholding tax under section 1446 on any foreign partners' share of effectively connected taxable income from such business. Further, in certain cases where a Form W-9 has not been received, the rules under section 1446 require a partnership to presume that a partner is a foreign person, and pay the section 1446 withholding tax. Therefore, if you are a U.S. person that is a partner in a partnership conducting a trade or business in the United States, provide Form W-9 to the partnership to establish your U.S. status and avoid section 1446 withholding on your share of partnership income.

In the cases below, the following person must give Form W-9 to the partnership for purposes of establishing its U.S. status and avoiding withholding on its allocable share of net income from the partnership conducting a trade or business in the United States:

- In the case of a disregarded entity with a U.S. owner, the U.S. owner of the disregarded entity and not the entity,
- In the case of a grantor trust with a U.S. grantor or other U.S. owner, generally, the U.S. grantor or other U.S. owner of the grantor trust and not the trust, and
- In the case of a U.S. trust (other than a grantor trust), the U.S. trust (other than a grantor trust) and not the beneficiaries of the trust.

**Foreign person.** If you are a foreign person or the U.S. branch of a foreign bank that has elected to be treated as a U.S. person, do not use Form W-9. Instead, use the appropriate Form W-8 or Form 8233 (see Publication 515, Withholding of Tax on Nonresident Aliens and Foreign Entities).

**Nonresident alien who becomes a resident alien.** Generally, only a nonresident alien individual may use the terms of a tax treaty to reduce or eliminate U.S. tax on certain types of income. However, most tax treaties contain a provision known as a "saving clause." Exceptions specified in the saving clause may permit an exemption from tax to continue for certain types of income even after the payee has otherwise become a U.S. resident alien for tax purposes.

If you are a U.S. resident alien who is relying on an exception contained in the saving clause of a tax treaty to claim an exemption from U.S. tax on certain types of income, you must attach a statement to Form W-9 that specifies the following five items:

1. The treaty country. Generally, this must be the same treaty under which you claimed exemption from tax as a nonresident alien.
2. The treaty article addressing the income.
3. The article number (or location) in the tax treaty that contains the saving clause and its exceptions.
4. The type and amount of income that qualifies for the exemption from tax.
5. Sufficient facts to justify the exemption from tax under the terms of the treaty article.

**Example.** Article 20 of the U.S.-China Income tax treaty allows an exemption from tax for scholarship income received by a Chinese student temporarily present in the United States. Under U.S. law, this student will become a resident alien for tax purposes if his or her stay in the United States exceeds 5 calendar years. However, paragraph 2 of the first Protocol to the U.S.-China treaty (dated April 30, 1984) allows the provisions of Article 20 to continue to apply even after the Chinese student becomes a resident alien of the United States. A Chinese student who qualifies for this exception (under paragraph 2 of the first protocol) and is relying on this exception to claim an exemption from tax on his or her scholarship or fellowship income would attach to Form W-9 a statement that includes the information described above to support that exemption.

If you are a nonresident alien or a foreign entity, give the requester the appropriate completed Form W-8 or Form 8233.

**What is backup withholding?** Persons making certain payments to you must under certain conditions withhold and pay to the IRS a percentage of such payments. This is called "backup withholding." Payments that may be subject to backup withholding include interest, tax-exempt interest, dividends, broker and barter exchange transactions, rents, royalties, nonemployee pay, payments made in settlement of payment card and third party network transactions, and certain payments from fishing boat operators. Real estate transactions are not subject to backup withholding.

You will not be subject to backup withholding on payments you receive if you give the requester your correct TIN, make the proper certifications, and report all your taxable interest and dividends on your tax return.

### Payments you receive will be subject to backup withholding if:

1. You do not furnish your TIN to the requester,
2. You do not certify your TIN when required (see the Part II instructions on page 3 for details),
3. The IRS tells the requester that you furnished an incorrect TIN,
4. The IRS tells you that you are subject to backup withholding because you did not report all your interest and dividends on your tax return (for reportable interest and dividends only), or
5. You do not certify to the requester that you are not subject to backup withholding under 4 above (for reportable interest and dividend accounts opened after 1983 only).

Certain payees and payments are exempt from backup withholding. See *Exempt payee code* on page 3 and the separate instructions for the Requester of Form W-9 for more information.

Also see *Special rules for partnerships* on page 1.

**What is FATCA reporting?** The Foreign Account Tax Compliance Act (FATCA) requires a participating foreign financial institution to report all United States account holders that are specified United States persons. Certain payees are exempt from FATCA reporting. See *Exemption from FATCA reporting code* on page 3 and the instructions for the Requester of Form W-9 for more information.

## Updating Your Information

You must provide updated information to any person to whom you claimed to be an exempt payee if you are no longer an exempt payee and anticipate receiving reportable payments in the future from this person. For example, you may need to provide updated information if you are a C corporation that elects to be an S corporation, or if you no longer are tax exempt. In addition, you must furnish a new Form W-9 if the name or TIN changes for the account, for example, if the grantor of a grantor trust dies.

## Penalties

**Failure to furnish TIN.** If you fail to furnish your correct TIN to a requester, you are subject to a penalty of \$50 for each such failure unless your failure is due to reasonable cause and not to willful neglect.

**Civil penalty for false information with respect to withholding.** If you make a false statement with no reasonable basis that results in no backup withholding, you are subject to a \$500 penalty.

**Criminal penalty for falsifying information.** Willfully falsifying certifications or affirmations may subject you to criminal penalties including fines and/or imprisonment.

**Misuse of TINs.** If the requester discloses or uses TINs in violation of federal law, the requester may be subject to civil and criminal penalties.

## Specific Instructions

### Name

If you are an individual, you must generally enter the name shown on your income tax return. However, if you have changed your last name, for instance, due to marriage without informing the Social Security Administration of the name change, enter your first name, the last name shown on your social security card, and your new last name.

If the account is in joint names, list first, and then circle, the name of the person or entity whose number you entered in Part I of the form.

**Sole proprietor.** Enter your individual name as shown on your income tax return on the "Name" line. You may enter your business, trade, or "doing business as (DBA)" name on the "Business name/disregarded entity name" line.

**Partnership, C Corporation, or S Corporation.** Enter the entity's name on the "Name" line and any business, trade, or "doing business as (DBA) name" on the "Business name/disregarded entity name" line.

**Disregarded entity.** For U.S. federal tax purposes, an entity that is disregarded as an entity separate from its owner is treated as a "disregarded entity." See Regulation section 301.7701-2(c)(2)(iii). Enter the owner's name on the "Name" line. The name of the entity entered on the "Name" line should never be a disregarded entity. The name on the "Name" line must be the name shown on the income tax return on which the income should be reported. For example, if a foreign LLC that is treated as a disregarded entity for U.S. federal tax purposes has a single owner that is a U.S. person, the U.S. owner's name is required to be provided on the "Name" line. If the direct owner of the entity is also a disregarded entity, enter the first owner that is not disregarded for federal tax purposes. Enter the disregarded entity's name on the "Business name/disregarded entity name" line. If the owner of the disregarded entity is a foreign person, the owner must complete an appropriate Form W-8 instead of a Form W-9. This is the case even if the foreign person has a U.S. TIN.

**Note.** Check the appropriate box for the U.S. federal tax classification of the person whose name is entered on the "Name" line (individual/sole proprietor, Partnership, C Corporation, S Corporation, Trust/estate).

**Limited Liability Company (LLC).** If the person identified on the "Name" line is an LLC, check the "Limited liability company" box only and enter the appropriate code for the U.S. federal tax classification in the space provided. If you are an LLC that is treated as a partnership for U.S. federal tax purposes, enter "P" for partnership. If you are an LLC that has filed a Form 8832 or a Form 2553 to be taxed as a corporation, enter "C" for C corporation or "S" for S corporation, as appropriate. If you are an LLC that is disregarded as an entity separate from its owner under Regulation section 301.7701-3 (except for employment and excise tax), do not check the LLC box unless the owner of the LLC (required to be identified on the "Name" line) is another LLC that is not disregarded for U.S. federal tax purposes. If the LLC is disregarded as an entity separate from its owner, enter the appropriate tax classification of the owner identified on the "Name" line.

**Other entities.** Enter your business name as shown on required U.S. federal tax documents on the "Name" line. This name should match the name shown on the charter or other legal document creating the entity. You may enter any business, trade, or DBA name on the "Business name/disregarded entity name" line.

## Exemptions

If you are exempt from backup withholding and/or FATCA reporting, enter in the *Exemptions* box, any code(s) that may apply to you. See *Exempt payee code* and *Exemption from FATCA reporting code* on page 3.

**Exempt payee code.** Generally, individuals (including sole proprietors) are not exempt from backup withholding. Corporations are exempt from backup withholding for certain payments, such as interest and dividends. Corporations are not exempt from backup withholding for payments made in settlement of payment card or third party network transactions.

**Note.** If you are exempt from backup withholding, you should still complete this form to avoid possible erroneous backup withholding.

The following codes identify payees that are exempt from backup withholding:

- 1—An organization exempt from tax under section 501(a), any IRA, or a custodial account under section 403(b)(7) if the account satisfies the requirements of section 401(f)(2)
- 2—The United States or any of its agencies or instrumentalities
- 3—A state, the District of Columbia, a possession of the United States, or any of their political subdivisions or instrumentalities
- 4—A foreign government or any of its political subdivisions, agencies, or instrumentalities
- 5—A corporation
- 6—A dealer in securities or commodities required to register in the United States, the District of Columbia, or a possession of the United States
- 7—A futures commission merchant registered with the Commodity Futures Trading Commission
- 8—A real estate investment trust
- 9—An entity registered at all times during the tax year under the Investment Company Act of 1940
- 10—A common trust fund operated by a bank under section 584(a)
- 11—A financial institution
- 12—A middleman known in the investment community as a nominee or custodian
- 13—A trust exempt from tax under section 664 or described in section 4947

The following chart shows types of payments that may be exempt from backup withholding. The chart applies to the exempt payees listed above, 1 through 13.

IF the payment is for . . .	THEN the payment is exempt for . . .
Interest and dividend payments	All exempt payees except for 7
Broker transactions	Exempt payees 1 through 4 and 6 through 11 and all C corporations. S corporations must not enter an exempt payee code because they are exempt only for sales of noncovered securities acquired prior to 2012.
Barter exchange transactions and patronage dividends	Exempt payees 1 through 4
Payments over \$600 required to be reported and direct sales over \$5,000 <sup>1</sup>	Generally, exempt payees 1 through 5 <sup>2</sup>
Payments made in settlement of payment card or third party network transactions	Exempt payees 1 through 4

<sup>1</sup> See Form 1099-MISC, Miscellaneous Income, and its instructions.

<sup>2</sup> However, the following payments made to a corporation and reportable on Form 1099-MISC are not exempt from backup withholding: medical and health care payments, attorneys' fees, gross proceeds paid to an attorney, and payments for services paid by a federal executive agency.

**Exemption from FATCA reporting code.** The following codes identify payees that are exempt from reporting under FATCA. These codes apply to persons submitting this form for accounts maintained outside of the United States by certain foreign financial institutions. Therefore, if you are only submitting this form for an account you hold in the United States, you may leave this field blank. Consult with the person requesting this form if you are uncertain if the financial institution is subject to those requirements.

- A—An organization exempt from tax under section 501(a) or any individual retirement plan as defined in section 7701(a)(37)
- B—The United States or any of its agencies or instrumentalities
- C—A state, the District of Columbia, a possession of the United States, or any of their political subdivisions or instrumentalities
- D—A corporation the stock of which is regularly traded on one or more established securities markets, as described in Reg. section 1.1472-1(c)(1)(i)
- E—A corporation that is a member of the same expanded affiliated group as a corporation described in Reg. section 1.1472-1(c)(1)(i)
- F—A dealer in securities, commodities, or derivative financial instruments (including notional principal contracts, futures, forwards, and options) that is registered as such under the laws of the United States or any state

- G—A real estate investment trust
- H—A regulated investment company as defined in section 851 or an entity registered at all times during the tax year under the Investment Company Act of 1940
- I—A common trust fund as defined in section 584(a)
- J—A bank as defined in section 581
- K—A broker
- L—A trust exempt from tax under section 664 or described in section 4947(a)(1)
- M—A tax exempt trust under a section 403(b) plan or section 467(g) plan

**Part I. Taxpayer Identification Number (TIN)**

Enter your TIN in the appropriate box. If you are a resident alien and you do not have and are not eligible to get an SSN, your TIN is your IRS individual taxpayer identification number (ITIN). Enter it in the social security number box. If you do not have an ITIN, see *How to get a TIN* below.

If you are a sole proprietor and you have an EIN, you may enter either your SSN or EIN. However, the IRS prefers that you use your SSN.

If you are a single-member LLC that is disregarded as an entity separate from its owner (see *Limited Liability Company (LLC)* on page 2), enter the owner's SSN (or EIN, if the owner has one). Do not enter the disregarded entity's EIN. If the LLC is classified as a corporation or partnership, enter the entity's EIN.

**Note.** See the chart on page 4 for further clarification of name and TIN combinations.

**How to get a TIN.** If you do not have a TIN, apply for one immediately. To apply for an SSN, get Form SS-5, Application for a Social Security Card, from your local Social Security Administration office or get this form online at [www.ssa.gov](http://www.ssa.gov). You may also get this form by calling 1-800-772-1213. Use Form W-7, Application for IRS Individual Taxpayer Identification Number, to apply for an ITIN, or Form SS-4, Application for Employer Identification Number, to apply for an EIN. You can apply for an EIN online by accessing the IRS website at [www.irs.gov/businesses](http://www.irs.gov/businesses) and clicking on Employer Identification Number (EIN) under Starting a Business. You can get Forms W-7 and SS-4 from the IRS by visiting [IRS.gov](http://IRS.gov) or by calling 1-800-TAX-FORM (1-800-829-3876).

If you are asked to complete Form W-9 but do not have a TIN, apply for a TIN and write "Applied For" in the space for the TIN, sign and date the form, and give it to the requester. For interest and dividend payments, and certain payments made with respect to readily tradable instruments, generally you will have 60 days to get a TIN and give it to the requester before you are subject to backup withholding on payments. The 60-day rule does not apply to other types of payments. You will be subject to backup withholding on all such payments until you provide your TIN to the requester.

**Note.** Entering "Applied For" means that you have already applied for a TIN or that you intend to apply for one soon.

**Caution:** A disregarded U.S. entity that has a foreign owner must use the appropriate Form W-8.

**Part II. Certification**

To establish to the withholding agent that you are a U.S. person, or resident alien, sign Form W-9. You may be requested to sign by the withholding agent even if items 1, 4, or 5 below indicate otherwise.

For a joint account, only the person whose TIN is shown in Part I should sign (when required). In the case of a disregarded entity, the person identified on the "Name" line must sign. Exempt payees, see *Exempt payee code* earlier.

**Signature requirements.** Complete the certification as indicated in Items 1 through 5 below.

1. **Interest, dividend, and barter exchange accounts opened before 1984 and broker accounts considered active during 1983.** You must give your correct TIN, but you do not have to sign the certification.
2. **Interest, dividend, broker, and barter exchange accounts opened after 1983 and broker accounts considered inactive during 1983.** You must sign the certification or backup withholding will apply. If you are subject to backup withholding and you are merely providing your correct TIN to the requester, you must cross out item 2 in the certification before signing the form.
3. **Real estate transactions.** You must sign the certification. You may cross out item 2 of the certification.
4. **Other payments.** You must give your correct TIN, but you do not have to sign the certification unless you have been notified that you have previously given an incorrect TIN. "Other payments" include payments made in the course of the requester's trade or business for rents, royalties, goods (other than bills for merchandise), medical and health care services (including payments to corporations), payments to a nonemployee for services, payments made in settlement of payment card and third party network transactions, payments to certain fishing boat crew members and fishermen, and gross proceeds paid to attorneys (including payments to corporations).
5. **Mortgage interest paid by you, acquisition or abandonment of secured property, cancellation of debt, qualified tuition program payments (under section 529), IRA, Coverdell ESA, Archer MSA or HSA contributions or distributions, and pension distributions.** You must give your correct TIN, but you do not have to sign the certification.

**What Name and Number To Give the Requester**

For this type of account:	Give name and SSN of:
1. Individual	The individual
2. Two or more individuals (joint account)	The actual owner of the account or, if combined funds, the first individual on the account <sup>1</sup>
3. Custodian account of a minor (Uniform Gift to Minors Act)	The minor <sup>2</sup>
4. a. The usual revocable savings trust (grantor is also trustee)	The grantor-trustee <sup>1</sup>
b. So-called trust account that is not a legal or valid trust under state law	The actual owner <sup>3</sup>
5. Sole proprietorship or disregarded entity owned by an individual	The owner <sup>3</sup>
6. Grantor trust filing under Optional Form 1099 Filing Method 1 (see Regulation section 1.671-4(b)(2)(i)(A))	The grantor <sup>4</sup>
For this type of account:	Give name and EIN of:
7. Disregarded entity not owned by an individual	The owner
8. A valid trust, estate, or pension trust	Legal entity <sup>4</sup>
9. Corporation or LLC electing corporate status on Form 8832 or Form 2553	The corporation
10. Association, club, religious, charitable, educational, or other tax-exempt organization	The organization
11. Partnership or multi-member LLC	The partnership
12. A broker or registered nominee	The broker or nominee
13. Account with the Department of Agriculture in the name of a public entity (such as a state or local government, school district, or prison) that receives agricultural program payments	The public entity
14. Grantor trust filing under the Form 1041 Filing Method or the Optional Form 1099 Filing Method 2 (see Regulation section 1.671-4(b)(2)(i)(B))	The trust

<sup>1</sup> List first and circle the name of the person whose number you furnish. If only one person on a joint account has an SSN, that person's number must be furnished.

<sup>2</sup> Circle the minor's name and furnish the minor's SSN.

<sup>3</sup> You must show your individual name and you may also enter your business or "DBA" name on the "Business name/disregarded entity" name line. You may use either your SSN or EIN (if you have one), but the IRS encourages you to use your SSN.

<sup>4</sup> List first and circle the name of the trust, estate, or pension trust. (Do not furnish the TIN of the personal representative or trustee unless the legal entity itself is not designated in the account title.) Also see *Special rules for partnerships* on page 1.

\*Note. Grantor also must provide a Form W-9 to trustee of trust.

Note. If no name is circled when more than one name is listed, the number will be considered to be that of the first name listed.

**Secure Your Tax Records from Identity Theft**

Identity theft occurs when someone uses your personal information such as your name, social security number (SSN), or other identifying information, without your permission, to commit fraud or other crimes. An identity thief may use your SSN to get a job or may file a tax return using your SSN to receive a refund.

To reduce your risk:

- Protect your SSN,
- Ensure your employer is protecting your SSN, and
- Be careful when choosing a tax preparer.

If your tax records are affected by identity theft and you receive a notice from the IRS, respond right away to the name and phone number printed on the IRS notice or letter.

If your tax records are not currently affected by identity theft but you think you are at risk due to a lost or stolen purse or wallet, questionable credit card activity or credit report, contact the IRS Identity Theft Hotline at 1-800-908-4490 or submit Form 14039.

For more information, see Publication 4535, Identity Theft Prevention and Victim Assistance.

Victims of identity theft who are experiencing economic harm or a system problem, or are seeking help in resolving tax problems that have not been resolved through normal channels, may be eligible for Taxpayer Advocate Service (TAS) assistance. You can reach TAS by calling the TAS toll-free case intake line at 1-877-777-4778 or TTY/TDD 1-800-829-4059.

Protect yourself from suspicious emails or phishing schemes. Phishing is the creation and use of email and websites designed to mimic legitimate business emails and websites. The most common act is sending an email to a user falsely claiming to be an established legitimate enterprise in an attempt to scam the user into surrendering private information that will be used for identity theft.

The IRS does not initiate contacts with taxpayers via emails. Also, the IRS does not request personal detailed information through email or ask taxpayers for the PIN numbers, passwords, or similar secret access information for their credit card, bank, or other financial accounts.

If you receive an unsolicited email claiming to be from the IRS, forward this message to [phishing@irs.gov](mailto:phishing@irs.gov). You may also report misuse of the IRS name, logo, or other IRS property to the Treasury Inspector General for Tax Administration at 1-800-366-4484. You can forward suspicious emails to the Federal Trade Commission at: [spam@uce.gov](mailto:spam@uce.gov) or contact them at [www.ftc.gov/idtheft](http://www.ftc.gov/idtheft) or 1-877-IDTHEFT (1-877-438-4338).

Visit [IRS.gov](http://IRS.gov) to learn more about identity theft and how to reduce your risk.

**Privacy Act Notice**

Section 6109 of the Internal Revenue Code requires you to provide your correct TIN to persons (including federal agencies) who are required to file information returns with the IRS to report interest, dividends, or certain other income paid to you; mortgage interest you paid; the acquisition or abandonment of secured property; the cancellation of debt; or contributions you made to an IRA, Archer MSA, or HSA. The person collecting this form uses the information on the form to file information returns with the IRS, reporting the above information. Routine uses of this information include giving it to the Department of Justice for civil and criminal litigation and to cities, states, the District of Columbia, and U.S. commonwealths and possessions for use in administering their laws. The information also may be disclosed to other countries under a treaty, to federal and state agencies to enforce civil and criminal laws, or to federal law enforcement and intelligence agencies to combat terrorism. You must provide your TIN whether or not you are required to file a tax return. Under section 3406, payers must generally withhold a percentage of taxable interest, dividend, and certain other payments to a payee who does not give a TIN to the payer. Certain penalties may also apply for providing false or fraudulent information.

**EXHIBIT “B”**

BID PAGE

**EXHIBIT "B" - BID PAGE**  
**"PIPES & Miscellaneous Items)" - Hidalgo County**  
**RFB NO. 2015-013-02-11-MEG**

**CATEGORY (A) - PIPES**

<b>CORRUGATED POLYVINYL CHLORIDE (PVC) STORM SEWER PIPE</b>		
<b>NIGP CODE: 665-89 Polyvinyl Chloride (PVC)</b>		
<b>DESCRIPTION</b>	<b>PRICE</b>	
12"	NO BID	LF
15"		LF
18"		LF
24"		LF
30"		LF
36"		LF
42"		LF
48"		LF

<b>CORRUGATED STEEL STORM SEWER PIPE</b>				
<b>NIGP CODE: 210-29 - Corrugated Galvanized Metal Pipe</b>				
<b>(UNIT PRICE INCLUDES ONE GASKETED BAND CONNECTION FOR EVERY 20 FOOT JOINT)</b>				
<b>DIAMETER</b>	<b>TYPE "IR" PIPE PRICE</b>	<b>TYPE "I" PIPE PRICE</b>	<b>TYPE "IA" PIPE PRICE</b>	
12"	NO BID	NO BID	NO BID	LF
18"				LF
24"				LF
30"				LF
36"				LF
42"				LF
48"				LF
54"				LF
60"				LF
66"				LF
72"				LF
78"				LF
84"				LF
90"				LF
96"				LF
102"				LF
108"				LF
114"				LF
120"				LF
126"				LF
132"				LF
138"	LF			
144"	LF			

**EXHIBIT "B" - BID PAGE  
 "PIPES & Miscellaneous Items)" - Hidalgo County  
 RFB NO. 2015-013-02-11-MEG**

<b>REINFORCED CONCRETE PIPE - RUBBER GASKET JOINT PIPE</b>						
<b>NIGP CODE: 658-68</b>						
<b>DESCRIPTION</b>	<b>CLASS III PRICE</b>		<b>CLASS IV PRICE</b>		<b>CLASS V PRICE</b>	
12"	No Bid	LF	No Bid	LF	No Bid	LF
15"		LF		LF		LF
18"		LF		LF		LF
24"		LF		LF		LF
30"		LF		LF		LF
36"		LF		LF		LF
42"		LF		LF		LF
48"		LF		LF		LF
54"		LF		LF		LF
60"		LF		LF		LF
72"		LF		LF		LF

<b>REINFORCED CONCRETE PIPE - TONGUE &amp; GROOVE PIPE</b>						
<b>NIGP CODE: 658-68</b>						
<b>DESCRIPTION</b>	<b>CLASS III PRICE</b>		<b>CLASS IV PRICE</b>		<b>CLASS V PRICE</b>	
12"	No Bid	LF	No Bid	LF	No Bid	LF
15"		LF		LF		LF
18"		LF		LF		LF
24"		LF		LF		LF
30"		LF		LF		LF
36"		LF		LF		LF
42"		LF		LF		LF
48"		LF		LF		LF
54"		LF		LF		LF
60"		LF		LF		LF
72"		LF		LF		LF

<b>REINFORCED POLYTHYLENE PIPE - 20 FOOT JOINTS</b>		
<b>NIGP CODE: 658-58</b>		
<b>Description</b>	<b>Price</b>	
24"	No Bid	LF
30"		LF
36"		LF
42"		LF
48"		LF
54"		LF
60"		LF
72"		LF
84"		LF
96"		LF

**EXHIBIT "B" - BID PAGE**  
**"PIPES & Miscellaneous Items)" - Hidalgo County**  
**RFB NO. 2015-013-02-11-MEG**

<b>AWWA C900 PVC PLASTIC PRESSURE PIPE</b>						
<b>NIGP CODE 658-56 PLASTIC PIPES OR</b>						
<b>658-60 PVC PIPES</b>						
DESCRIPTION	DR 14 PRICE		DR 18 PRICE		DR 25 PRICE	
4"	No BID	LF	No BID	LF	No BID	LF
6"	~	LF	~	LF	~	LF
8"	~	LF	~	LF	~	LF
10"	~	LF	~	LF	~	LF
12"	~	LF	~	LF	~	LF

<b>AWWA C905 PVC PLASTIC WATER PIPE</b>										
<b>NIGP CODE 658-56 PLASTIC PIPES OR</b>										
<b>658-60 PVC PIPES</b>										
DESCRIPTION	DR 18 PRICE		DR 25 PRICE		DR 32.5 PRICE		DR 41 PRICE		DR 51 PRICE	
14"	No BID	LF	No BID	LF	No BID	LF	No BID	LF	No BID	LF
16"	~	LF	~	LF	~	LF	~	LF	~	LF
18"	~	LF	~	LF	~	LF	~	LF	~	LF
24"	~	LF	~	LF	~	LF	~	LF	~	LF
30"	~	LF	~	LF	~	LF	~	LF	~	LF
36"	~	LF	~	LF	~	LF	~	LF	~	LF
42"	~	LF	~	LF	~	LF	~	LF	~	LF
48"	~	LF	~	LF	~	LF	~	LF	~	LF

<b>SDR 26 AND SDR 35 GASKETED GRAVITY SANITARY SEWER PIPE</b>				
<b>NIGP CODE 210-35</b>				
<b>SEWER PIPE JOINT SEALING COMPOUND</b>				
SIZE OF PIPE	SDR 26		SDR 35	
4"	No BID	LF	No BID	LF
6"	~	LF	~	LF
8"	~	LF	~	LF
10"	~	LF	~	LF
12"	~	LF	~	LF
15"	~	LF	~	LF

<b>HIGH PERFORMANCE (HP) POLYPROPYLENE STORM PIPE</b>		
DESCRIPTION	PRICE	
12"	No BID	
15"	~	
18"	~	
24"	~	
30"	~	
36"	~	
42"	~	
48"	~	
60"	~	

**EXHIBIT "B" - BID PAGE**  
**"PIPES & Miscellaneous Items)" - Hidalgo County**  
**RFB NO. 2015-013-02-11-MEG**

<b>HIGH DESTINY POLYETHYLENE PIPE (HDPE)</b>		
<b>NIGP CODE: 658-58 Polyethylene Pipe And Fitting</b>		
<b>DESCRIPTION</b>	<b>PRICE</b>	
4"	No BID	LF
6"		LF
8"		LF
10"		LF
12"		LF
15"		LF
18"		LF
24"		LF
30"		LF
36"		LF
42"		LF
48"		LF
54"		LF
60"		LF

<b>PLUMBING PIPES - 20 FOOT SECTIONS</b>			
<b>NIGP CODE 967-60</b>			
<b>PVC</b>	<b>PRICE</b>		<b>COPPER</b>
1/2"	No BID		1/2"
1 1/2"			3/4"
2"			
3"			
4"			

EXHIBIT "B" - BID PAGE  
 "PIPES & Miscellaneous Items" - Hidalgo County  
 RFB NO. 2015-013-02-11-MEG

CATEGORY (B) - INLETS

NIGP CODE 210-31

INLETS, AREA, SEWER DRAIN, PRECAST, CONCRETE, STORM DRAIN NO. POSITION, FLOORS

RECEIVED  
 2/11/15  
 9:40am  
 Winters

DESCRIPTION	PRICE																
	2'	2 1/2'	3'	3 1/2'	4'	4 1/2'	5'	5 1/2'	6'	6 1/2'	7'	7 1/2'	8'	8 1/2'	9'	9 1/2'	10'
Type "A" Inlet (5' x 3')	755.00	845.00	900.00	942.00	1019.00	1100.00	1182.00	1253.00	1325.00	1392.00	1498.00	1550.00	1622.00	1694.00	1775.00	1876.00	1928.00
Type "A-1" Inlet (5' x 4')																	
Type "A-2" Inlet (5' x 5')																	
Type "A-3" Inlet (5' x 6')																	
Type "A" (SPL-1) Inlet (5' x 3')																	
Type "A-1" (SPL-1) Inlet (5' x 4')																	
Type "A-2" (SPL-1) Inlet (5' x 5')																	
Type "A-3" (SPL-1) Inlet (5' x 6')																	
Type "C" INLET 2' x 2'	508.00	556.00	580.00	625.00	661.00	715.00	744.00	812.00	850.00	898.00	913.00	978.00	1031.00	1098.00	1116.00	1164.00	1211.00
Type "C" INLET 3' x 3'	692.00	747.00	801.00	855.00	918.00	972.00	1035.00	1098.00	1149.00	1206.00	1249.00	1332.00	1399.00	1440.00	1502.00	1566.00	1620.00
Type "C" INLET 4' x 4'	923.00	1043.00	1100.00	1172.00	1253.00	1325.00	1438.00	1498.00	1600.00	1622.00	1701.00	1838.00	1914.00	2000.00	2075.00	2150.00	2232.00
Type "C" INLET 5' x 3'	1105.00	1195.00	1250.00	1292.00	1369.00	1450.00	1531.00	1603.00	1695.00	1747.00	1828.00	1900.00	1992.00	2044.00	2125.00	2206.00	2290.00
Type "F" Inlet (W=3')				NO	QTD												

NO BID



**EXHIBIT "B" - BID PAGE  
 "PIPES & Miscellaneous Items)" - Hidalgo County  
 RFB NO. 2015-013-02-11-MEG**

**CATEGORY (D) - MISCELLANEOUS**

DESCRIPTION	UNIT	PRICE
<b>WATER VALVE</b>		
2"	ea	No BID
4"	ea	
6"	ea	
8"	ea	
10"	ea	
<b>90 DEGREE ELBOW</b>		
2"	ea	
4"	ea	
6"	ea	
8"	ea	
10"	ea	
<b>45 DEGREE ELBOW</b>		
2"	ea	
4"	ea	
6"	ea	
8"	ea	
10"	ea	
<b>STEEL PIPE CASING WITH SPACERS</b>		
4"	Lf	
6"	Lf	
12"	Lf	
16"	Lf	
24"	Lf	
<b>FIRE HYDRANT W/VALVE</b>	EA	
<b>PVC SCHEDULE 40 WATER LINE DR 18</b>		
2"	Lf	
8"	Lf	
<b>PVC SCHEDULE 40</b>		
1.5"	Lf	
0.75"	Lf	
0.5"	Lf	
<b>WATER SADDLE W/2 CORPORATE VALVE</b>		
8" x 2"	ea	

**EXHIBIT "B" - BID PAGE**  
**"PIPES & Miscellaneous Items)" - Hidalgo County**  
**RFB NO. 2015-013-02-11-MEG**

HP Dual Wall Marmac Couplers		
Pipe Size	Price	Unit
12"	NO BID	EA
15"		EA
18"		EA
24"		EA
30"		EA
36"		EA
42"		EA
48"		EA
60"		EA

HP Dual Wall Fabricated Tees		
Pipe Size	Price	Unit
12"	NO BID	EA
15"		EA
18"		EA
24"		EA
30"		EA
36"		EA
42"		EA
48"		EA
60"		EA

HP Dual Wall Fabricated Bends						
Pipe Size	11.25 Bend	22.5 Bend	30° Bend	45° Bend	90° Bend	Unit
12"	NO BID	NO BID	NO BID	NO BID	NO BID	EA
15"	NO BID	NO BID	NO BID	NO BID	NO BID	EA
18"						EA
24"						EA
30"						EA
36"						EA
42"						EA
48"						EA
60"						EA

EXHIBIT "B" - BID PAGE  
"PIPES & Miscellaneous Items)" - Hidalgo County  
RFB NO. 2015-013-02-11-MEG

BIDDER/COMPANY NAME: Royal Ready Mix  
ADDRESS: 5361 N. ABRAM Rd.  
CITY: Mission STATE: Tx ZIP CODE: 78534  
PHONE No: 956-581-0044 FAX No: 956-581-0044 CELL No: 956-521-2976  
AUTHORIZED SIGNATURE: [Signature]  
PRINTED NAME: Jose Mendiola  
TITLE: Sales Representative DATE: 2/15/15  
EMAIL: jm@royalreadymix.com

OPENED

2/11/15  
9:40am

Witnessed

[Signature]

**EXHIBIT "C"**  
CERTIFICATE OF INSURANCE

# ACORD CERTIFICATE OF LIABILITY INSURANCE

DATE (MM/DD/YY)  
3/25/2015

PRODUCER  
MUNAL INSURANCE AGENCY, P.C.  
4211 N 22ND ST  
MCALLEN, TX 78504

(956) 631-4385

THIS CERTIFICATE IS ISSUED AS A MATTER OF INFORMATION ONLY AND CONFERS NO RIGHTS UPON THE CERTIFICATE HOLDER. THIS CERTIFICATE DOES NOT AMEND, EXTEND OR ALTER THE COVERAGE AFFORDED BY THE POLICIES BELOW.

### COMPANIES AFFORDING COVERAGE

INSURED  
PECAN CONSTRUCTION, LLC  
ROYAL READY MIX  
5361 N ABRAM ROAD  
MISSION, TX 78574

COMPANY A MAXUM INDEMNITY INSURANCE CO

COMPANY B NATIONAL FIRE & MARINE INSURANCE CO

COMPANY C TEXAS MUTUAL INSURANCE

COMPANY D

### COVERAGES

THIS IS TO CERTIFY THAT THE POLICIES OF INSURANCE LISTED BELOW HAVE BEEN ISSUED TO THE INSURED NAMED ABOVE FOR THE POLICY PERIOD INDICATED, NOTWITHSTANDING ANY REQUIREMENT, TERM OR CONDITION OF ANY CONTRACT OR OTHER DOCUMENT WITH RESPECT TO WHICH THIS CERTIFICATE MAY BE ISSUED OR MAY PERTAIN. THE INSURANCE AFFORDED BY THE POLICIES DESCRIBED HEREIN IS SUBJECT TO ALL THE TERMS, EXCLUSIONS AND CONDITIONS OF SUCH POLICIES. LIMITS SHOWN MAY HAVE BEEN REDUCED BY PAID CLAIMS.

CO LTR	TYPE OF INSURANCE	POLICY NUMBER	POLICY EFFECTIVE DATE (MM/DD/YY)	POLICY EXPIRATION DATE (MM/DD/YY)	LIMITS
A	<b>GENERAL LIABILITY</b> <input type="checkbox"/> COMMERCIAL GENERAL LIABILITY <input type="checkbox"/> CLAIMS MADE <input checked="" type="checkbox"/> OCCUR <input type="checkbox"/> OWNER'S & CONTRACTOR'S PROT	BDG008612301	03/03/2015	03/03/2016	GENERAL AGGREGATE \$ 1,000,000 PRODUCTS - COMP/OP AGG \$ 1,000,000 PERSONAL & ADV INJURY \$ 500,000 EACH OCCURRENCE \$ 100,000 FIRE DAMAGE (Any one fire) \$ MED EXP (Any one person) \$ 5,000
B	<b>AUTOMOBILE LIABILITY</b> <input type="checkbox"/> ANY AUTO <input type="checkbox"/> ALL OWNED AUTOS <input checked="" type="checkbox"/> SCHEDULED AUTOS <input type="checkbox"/> HIRED AUTOS <input type="checkbox"/> NON-OWNED AUTOS	72 APS 045681	12/23/2014	12/23/2016	COMBINED SINGLE LIMIT \$ 500,000 BODILY INJURY (Per person) \$ BODILY INJURY (Per accident) \$ PROPERTY DAMAGE \$
	<b>GARAGE LIABILITY</b> <input type="checkbox"/> ANY AUTO				AUTO ONLY - EA ACCIDENT \$ OTHER THAN AUTO ONLY: EACH ACCIDENT \$ AGGREGATE \$
	<b>EXCESS LIABILITY</b> <input type="checkbox"/> UMBRELLA FORM <input type="checkbox"/> OTHER THAN UMBRELLA FORM				EACH OCCURRENCE \$ AGGREGATE \$
A	<b>WORKERS COMPENSATION AND EMPLOYERS' LIABILITY</b> THE PROPRIETOR/PARTNER/EXECUTIVE OFFICERS ARE: <input type="checkbox"/> INCL <input checked="" type="checkbox"/> EXCL OTHER	POLICY # SBP0001263311	12/23/2014	12/23/2015	WC STATUTORY LIMITS OTHER EL EACH ACCIDENT \$ \$500,000 EL DISEASE - POLICY LIMIT \$ \$500,000 EL DISEASE - EA EMPLOYEE \$ \$500,000

DESCRIPTION OF OPERATIONS/LOCATIONS/VEHICLES/SPECIAL ITEMS  
 2007 VOLVO TRACTOR VIN#4V4NCTG87N436056  
 2007 FREIGHTLINER CL120T VIN# 1FUJA6CK57LY28466

### CERTIFICATE HOLDER

HIDALGO COUNTY  
 ATTN: PURCHASING DEPARTMENT  
 2812 S HIGHWAY BUSINESS 281  
 EDINBURG, TX 78538

### CANCELLATION

SHOULD ANY OF THE ABOVE DESCRIBED POLICIES BE CANCELLED BEFORE THE EXPIRATION DATE THEREOF, THE ISSUING COMPANY WILL ENDEAVOR TO MAIL 10 DAYS WRITTEN NOTICE TO THE CERTIFICATE HOLDER NAMED TO THE LEFT, BUT FAILURE TO MAIL SUCH NOTICE SHALL IMPOSE NO OBLIGATION OR LIABILITY OF ANY KIND UPON THE COMPANY, ITS AGENTS OR REPRESENTATIVES.

AUTHORIZED REPRESENTATIVE

**Additional Named Insureds**

**Other Named Insureds**

Pecan Construction LLC

Doing Business As

Royal Ready Mix

Royal Precast LLC