



CUSTOMER PROPOSAL

Customer Number:	0	Date:	12/15/2015
Customer Name:	County of Hidalgo PCT 3	Proposal good through:	2/15/2016
Description:	BUY BOARD CONTRACT #430.13 with Eaton Manual Transmission Roll-Off		
Address:	724 North Breygogle	Sales Representative	Mark Brunnemann - (956) 289-7636
City, State, Zip:	Mission, TX 78574	Registration Class:	
Contact Name:	Joe Flores	Requested G.V.W.R.	As per MSO or Title; no change
Contact Phone #:	956-585-4509		
Contact E-mail:	commissioner3@co.hidalgo.tx.us		

Stock/ID Number:	TBD
VIN:	As per MSO or Title; no change
To be delivered on or about:	12 to 16 Weeks From Approval
Freight on Board (F.O.B.)	HOLT TRUCK CENTER - Edinburg, TX

Make:	CAT
Model:	CT660S - Truck
Year:	2017

	Per Unit	Total
BUY BOARD BASE PRICE	\$105,098.61	\$210,197.22
Additional Vehicle and Accessories Description:	See Notes Below	See Notes Below
OPTIONAL ADDS	\$14,758.50	\$29,517.00
Galbreath UF-OR-174 60,000# Capacity with Pioneer	\$37,650.00	\$75,300.00
	\$0.00	\$0.00
BODY - 	\$0.00	\$0.00
NET Sales Price	\$157,507.11	\$315,014.23
TRADE-IN ALLOWANCE	\$0.00	\$0.00
Total Net Sales without Tax	\$157,507.11	\$315,014.23
BALANCE OWED ON TRADE-IN	\$0.00	\$0.00
DOWN PAYMENT	\$0.00	\$0.00
FET - FEDERAL EXCISE TAX	\$0.00	\$0.00
FET - FEDERAL EXCISE TAX - BODY	\$0.00	\$0.00
LSC - STATE MOTOR VEHICLE SALES TAX	\$0.00	\$0.00
PST - 1% TERP TAX (1997 & NEWER)	\$0.00	\$0.00
TTL - TITLE & REGISTRATION	\$0.00	\$0.00
VIT - VEHICLE INVENTORY TAX	\$0.00	\$0.00
ESC - Extended Service Coverage ESC Type - NONE	\$0.00	\$0.00
Out of State Vehicle Fee	\$0.00	\$0.00
Sales Price:	\$157,507.11	

Quantity:	2
-----------	---

Total Sales Price: \$ 315,014.23



CUSTOMER PROPOSAL

Customer Number:	0	Date:	12/15/2015
Customer Name:	County of Hidalgo PCT 3	Proposal good through:	2/15/2016
Description:	BUY BOARD CONTRACT #430.13 with Eaton Manual Transmission		
Roll-Off			
Additional Vehicle and Accessories Description:			
Hoist specifications attached			
Special Titling & Registration Notes:			
None			
Lienholder Notes:			
None			
TRADE-IN NOTES			
None			
DISCLAIMER:			
Any order based on this Proposal subject to Customer executing Dealer's standard for Retail Purchase Order incorporating above terms. Any documentary fees, state tax, title registration and license fees subject to adjustment and change. Actual F.E.T. to be paid by Dealer, subject to adjustment. Any F.E.T. variance will be responsibility of Dealer. Manufacturer has reserved the right to change the price to Dealer of any vehicle not currently in Dealer's stock, without notice to Dealer. If Quoted Vehicle's not currently in Dealers stock, Dealer reserves right to change Quotation Total to reflect any price increases from Manufacturer. This Proposal is based upon Dealer's current and expected inventory, which is subject to change. Dealer is not obligated to retain any specific vehicles in stock or maintain any specific inventory level. Dealer shall not be obligated to fulfill Proposal in event quoted vehicle's not in stock or available within requested delivery schedule at time Proposal accepted. Dealer shall not be liable for any delay in providing or inability to provide Quoted Vehicle's, where such inability or delay is due, in whole or in part, to any cause beyond the reasonable control of Dealer or is without the gross negligence or intended misconduct of Dealer. Above listed Trade Value based upon current appraisal of Trade Vehicle's. Dealer may adjust Trade Value of Trade Vehicle's to reflect changes in condition and/or mileage of Trade Vehicle's between date of current appraisal and acceptance of this Proposal by Customer.			
SELLER:		BUYER:	
Mark Brunnemann			
Signature		Signature	
Mark Brunnemann			
Printed Name:		Printed Name:	
Sales Representative			
Title:		Title:	
12/15/2015			
Date:		Date:	

Thank you for the opportunity to earn your business. We look forward to working with you on your business needs.

2016-023
TWO (2) CT660S-TRUCK (PCT 3)



Phone: 800-695-2919
Fax: 800-211-5454
Email: info@buyboard.com

Welcome Elena [Log Off]

- Administration
- RFQ
- Reports
- Shopping Cart
- Help

Vendor Contract Information

[Back](#)

Search:

- All
- Vendor Discounts Only
- Catalog Pricing Only

Refine Your Search:

Vendors

Holt CAT Truck Centers[X]

Price Range

Show all prices

Category

None Selected

Contract

None selected

Additional Searches:

[Search by Vendor](#)

[Browse Contracts](#)

[Additional Resources](#)

Vendor Name: Holt CAT Truck Centers
Address: 415 N. Walton Walker Loop 12
 Irving, TX 75061
Phone Number: (214) 596-7570
Email: mark.mims@holcat.com
Federal ID: 74-1389993
Contact: Mark Mims
Accepts RFQs: Yes
Minority Owned Vendor: No
Women Owned Vendor: No
Contract Name: Vehicles, Heavy Duty Trucks & Options
Contract#: 430-13
Effective Date: 12/01/2013
Expiration Date: 11/30/2016
Service Fee: Purchase order subject to a \$400 service fee
Payment Terms: Net 30 days
Delivery Days: 180
Shipping Terms: Pre-paid and added to invoice
Freight Terms: FOB Destination
Ship Via: Common Carrier
Region Served: All Texas Regions
States Served: All States
Additional Info: NOTE: As per the specifications for BuyBoard Proposal No. 430-13, and except for delivery fees as explained below, all vehicle fees (i.e. pre-deliver inspection, make ready, State of Texas inspection, manufacturer destination fees, etc.) charged for any purchase from this contract are included in the awarded vehicle base price(s). Vehicle fees not included in the price(s) are not allowed and should not appear on the awarded dealer's quote for a vehicle offered for purchase under the contract. The Cooperative service fee is not a "vehicle fee" and is not included in the base pricing. Only those vendors whose awarded pricing is stated on the BuyBoard on a per mile basis may charge a vehicle delivery fee. The above information has been communicated to Cooperative members.

Quote Reference Number: 430-13
Return Policy: Case by case review
Additional Dealers: See Extended Exceptions for dealer list.

Contract Documents

- Proposal Documents:** [Click to view BuyBoard Proposal Documents](#)
- Extended Exceptions:** [Click to view Extended Contract Exceptions](#)
- Regulatory Notice:** [Click to view Bonding Regulatory Notice](#)

Contact us 800-695-2919

Shopping Cart

Vendor	Description	Part Number	Price	Qty	Total
Holt CAT Truck Centers	CAT CT660S-Truck. SBA, Truck Config., 116" BBC, 796-01 cab and chassis, 52,300# GVW, Fuller 10 speed transmission, 365 HP, front axle 13,200lbs, rear axle 40,000lbs, complete with all manufacturer's standard equipment. Line Item 376	CAT CT660S	\$105,499.80	1	\$105,499.80
Grand Total:					\$105,499.80

Vendor	Description
Holt CAT Truck Centers	0% Discount Off Holt Cat Truck Centers pricelist for Caterpillar Opllonal Equipment. Line Item 382
Holt CAT Truck Centers	0% Discount Off Holt Cat Truck Centers pricelist for Third Party Caterpillar (not OEM Options). Line Item 384

2015 Capital Lease Versus Operating Lease Test

2016-023 2 CT660S TRUCK (PCT 3)

Tab	CC Date	Dept No.	Install Date	Serial Number	Department Lease / Property	Req. No.	Asset Module Asset ID No.	Model Description	Monthly Pymt Amount	Title Xfer at End of Lease? (Y/N)	Bargain Purchase Option? (Y/N)	Lease Term in Months	Est. Economic Useful Life in Mo.'s	Total Principal Pmts Over Lease Term	FMV of Leased Equip. at Lease Inception	Capital or Operating Lease? (Calculated Field)	% Interest
32	10/27/2015	124			Pct 4 - S.C. Cmm Ctr	286072	DIR-TSO-3043	5945APT	\$156.10	N	N	36	60	\$5,619.60	\$5,156.00	Capital Lease	5.676
33	11/24/2015	121			Precinct 1	287307	BB 430-13	2-Holt CT660	\$5,334.29	Y	Y	84	84	\$448,080.36	\$408,138.64	Capital Lease	2.689
34	10/29/2015	330			Juv. Prob New-Court	286556	DIR-TSO-3043	WC3655X	\$64.38	N	N	36	60	\$2,317.68	\$2,177.00	Capital Lease	4.110
35		330			Juv. Prob Intake	286813	DIR-TSO-3043	WC3655X	\$64.38	N	N	36	60	\$2,317.68	\$2,177.00	Capital Lease	4.110
36		330			Juv. Prob Boot Aftercar	286818	DIR-TSO-3043	WC3655X	\$64.38	N	N	36	60	\$2,317.68	\$2,177.00	Capital Lease	4.110
37		330			Juv. Prob Detention	286834	DIR-TSO-3043	WC5955APT	\$180.40	N	N	36	60	\$6,494.40	\$5,783.00	Capital Lease	7.693
38		330			Juv. Prob Probation	286840	DIR-TSO-3043	WC5955APT	\$180.40	N	N	36	60	\$6,494.40	\$5,783.00	Capital Lease	7.693
39		330			Juv. Prob Court Intake	286848	DIR-TSO-3043	WC5955APT	\$180.40	N	N	36	60	\$6,494.40	\$5,783.00	Capital Lease	7.693
40		330			Juv. Prob Boot Camp	286820	DIR-TSO-3043	WC5865APT	\$235.66	N	N	36	60	\$8,483.76	\$7,596.00	Capital Lease	7.321
41		122			Hidalgo Co. Pct 2	287970	DIR-TSO-3101	C250IF	\$95.47	N	N	36	60	\$3,436.92	\$2,893.00	Capital Lease	11.551
42		123			Comm. Pct 3		BB 430-13	2-Holt CT660	\$4,118.21	Y	Y	84	84	\$345,929.64	\$315,014.22	Capital Lease	2.690
43									\$0.00					\$0.00			
44									\$0.00					\$0.00			
45									\$0.00					\$0.00			
46									\$0.00					\$0.00			
47									\$0.00					\$0.00			
49									\$0.00					\$0.00			
50									\$0.00					\$0.00			
51									\$0.00					\$0.00			
52									\$0.00					\$0.00			
53									\$0.00					\$0.00			
54									\$0.00					\$0.00			
55									\$0.00					\$0.00			
56									\$0.00					\$0.00			
57									\$0.00					\$0.00			
58									\$0.00					\$0.00			
59									\$0.00					\$0.00			
60									\$0.00					\$0.00			
61									\$0.00					\$0.00			
62									\$0.00					\$0.00			
63									\$0.00					\$0.00			
64									\$0.00					\$0.00			
65									\$0.00					\$0.00			

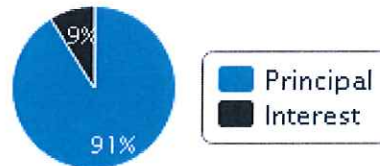
2. Enter values in the mandatory fields (green highlight) are entered and the optional fields (peach highlighted), if available.

Lease Calculator

Fix Rate	Fix Payment
Product/Property Value	\$ 315014.22
Residual Value	\$ 0
Lease Term	7 years 0 months
Monthly Payment	\$ 4118.21
Calculate	

Result

Interest/Return Rate	2.688%
Total of 84 Monthly Payments	\$345,929.64
Total Interest	\$30,915.42



Note: Actual Payments are Annual Payments of \$49,418.54 (above calculator only calculated monthly payments; $\$49,418.54 / 12 = \$4,118.21$)

2016-023
TWO (2) CT660S-TRUCK (PCT 3)



CT660S SBA 6x4

Sales Proposal For:
Hidalgo County PCT 3 - Manual Trans

Presented By:
HOLT TEXAS LTD.



2016-023
TWO (2) CT660S-TRUCK (PCT 3)

November 22, 2015

Prepared For:
Hidalgo County PCT 3 - Manual Trans

Reference ID: Manual 8LL

Presented By:
HOLT TEXAS LTD.
Mark Brunnemann
3302 S W W WHITE RD
SAN ANTONIO TX 78222 - 4843
(210)648-8343

We are pleased to have the opportunity to offer the following proposal for the application you requested.

Model Profile

2017 CT660S SBA 6x4 (CF7AA)

APPLICATION:	Roll-On/Roll-off
MISSION:	Requested GVWR: 66000. Calc. GVWR: 66000 Calc. Start / Grade Ability: 24.83% / 1.64% @ 55 MPH Calc. Geared Speed: 91.8 MPH
DIMENSION:	Wheelbase: 260.00, CA: 198.00, Axle to Frame: 65.00
ENGINE, DIESEL:	{CT 13} EPA 2010, SCR, 390 HP @ 1700 RPM, 1450 lb-ft Torque @ 1000 RPM, 2100 RPM Governed Speed, 390 Peak HP (Max)
TRANSMISSION, MANUAL:	{Fuller RTO(F)-14908LL} 10-Speed Manual; Double Lo With Overdrive and With Air Shift
CLUTCH:	{Eaton Fuller Easy-Pedal Advantage} Manual Adjust, Two-Plate, Cast Angle Spring; Ceramic, 15.5" Diameter, 7-Spring Damper, Mechanical Pull-Type Control, 1700 lb-ft Torque Capacity
AXLE, FRONT NON-DRIVING:	{Meritor MFS-20-133A} Wide Track, I-Beam Type, 20,000-lb Capacity
AXLE, REAR, TANDEM:	{Meritor RT-46-160P} Single Reduction, 46,000-lb Capacity, With Lube Pump, 200 Wheel Ends Gear Ratio: 3.73
CAB:	Conventional
TIRE, FRONT:	(2) 425/65R22.5 XZY-3 (MICHELIN) 465 rev/mile, load range L, 20 ply
TIRE, REAR:	(8) 11R22.5 XDN2 (MICHELIN) 497 rev/mile, load range H, 16 ply
SUSPENSION, REAR, TANDEM:	{Hendrickson RT-463} Walking Beam Type 54" Axle Spacing; 46,000-lb Capacity With Bronze Center Bushings
FRAME REINFORCEMENT:	Outer "C" Channel, Heat Treated Alloy Steel (120,000 PSI Yield); 12.65" x 3.50" x 0.25"(321.0mm x 88.9mm x 6.35mm); 445.4" (11313mm) Maximum OAL
PAINT:	Cab schematic 100KT Location 1: 9219, Winter White (Std) Chassis schematic N/A



2016-023
TWO (2) CT660S-TRUCK (PCT 3)
Vehicle Specifications

November 22, 2015

2017 CT660S SBA 6x4 (CF7AA)

<u>Code</u>	<u>Description</u>	<u>F/R Wt</u> (lbs)	<u>Tot Wt</u> (lbs)	<u>List</u> (US DOLLAR)
CF7AA00	Base Chassis, Model CT660S SBA 6x4 with 260.00 Wheelbase, 198.00 CA, and 65.00 Axle to Frame.	9385/6587	15972	\$139,218.02
1570	TOW HOOK, FRONT (2) Frame Mounted	47/-7	40	\$372.38
1DAV	FRAME RAILS High Strength Heat Treated Alloy Steel (120,000 PSI Yield); 12.00" x 3.25" x 0.25" (304.8mm x 82.6mm x 6.35mm); 478.1" (12143mm) Maximum OAL	20/70	90	(\$219.73)
1GDL	FRAME REINFORCEMENT Outer "C" Channel, Heat Treated Alloy Steel (120,000 PSI Yield); 12.65" x 3.50" x 0.25"(321.0mm x 88.9mm x 6.35mm); 445.4" (11313mm) Maximum OAL	270/533	803	\$1,912.60
1LBC	BUMPER, FRONT Multi-piece Stainless Steel	0/0	0	\$0.00
	<u>Includes</u> : FOG LIGHT OPENING (2) and with Rectangular Hole for Step			
1SAP	CROSSMEMBER, REAR, AF (1) 5 Piece	-12/75	63	\$145.13
1WVT	WHEELBASE RANGE 230" (585cm) Through and Including 285" (725cm)	0/0	0	\$1,251.48
2ARY	AXLE, FRONT NON-DRIVING {Meritor MFS-20-133A} Wide Track, I-Beam Type, 20,000-lb Capacity	125/0	125	\$2,105.21
3AGA	SUSPENSION, FRONT, SPRING Parabolic, Taper Leaf; 20,000-lb Capacity; With Shock Absorbers	-101/0	-101	\$423.77
4091	BRAKE SYSTEM, AIR Dual System for Straight Truck Applications	0/0	0	\$0.00
	<u>Includes</u> : BRAKE LINES Color and Size Coded Nylon : DRAIN VALVE Twist-Type : DUST SHIELDS, FRONT BRAKE : DUST SHIELDS, REAR BRAKE : GAUGE, AIR PRESSURE (2) Air 1 and Air 2 Gauges; Located in Instrument Cluster : INVERSION VALVE Bendix SR-1 and Double Check Valve : PARKING BRAKE CONTROL Yellow Knob, Located on Instrument Panel : PARKING BRAKE VALVE For Truck : QUICK RELEASE VALVE Bendix On Rear Axle for Spring Brake Release: 1 for 4x2, 2 for 6x4 : SLACK ADJUSTERS, FRONT Automatic : SLACK ADJUSTERS, REAR Automatic : SWITCH, AUXILIARY Interrupter for Cab Clearance/Marker Lights (Blinks Lights with Headlight Switch in "ON" Position); Instrument Panel Mounted			
	<u>Notes</u> : The following features should be considered when calculating Rear GAWR: Rear Axles; Rear Suspension; Brake System; Brakes, Rear Air Cam; Brake Shoes, Rear; Special Rating, GAWR; Wheels; Tires.			
4193	BRAKES, FRONT, AIR CAM 16.5" x 6", Includes 24 SqIn Long Stroke Brake Chambers	115/0	115	\$0.00
4732	DRAIN VALVE (Berg) Manual; With Pull Chain, for Air Tank	0/0	0	\$0.00



2016-023
TWO (2) CT660S-TRUCK (PCT 3)
Vehicle Specifications

November 22, 2015

2017 CT660S SBA 6x4 (CF7AA)

<u>Code</u>	<u>Description</u>	<u>F/R Wt</u> (lbs)	<u>Tot Wt</u> (lbs)	<u>List</u> (US DOLLAR)
	<u>Includes</u> : DRAIN VALVE Mounted in Wet Tank			
4AZJ	AIR BRAKE ABS {Bendix AntiLock Brake System} Full Vehicle Wheel Control System (4-Channel) With Automatic Traction Control	0/0	0	\$163.04
4EBS	AIR DRYER {Bendix AD-9} With Heater	0/0	0	\$0.00
	<u>Includes</u> : AIR DRYER LOCATION Inside Left Rail, Back of Cab			
4EXU	BRAKE CHAMBERS, REAR AXLE {Bendix EverSure} 30/30 Spring Brake	0/0	0	\$0.00
4EXV	BRAKE CHAMBERS, FRONT AXLE {Bendix} 24 SqIn	0/0	0	\$0.00
4NDB	BRAKES, REAR, AIR CAM S-Cam; 16.5" x 7.0"; Includes 30/30 Sq.In. Long Stroke Brake Chamber and Spring Actuated Parking Brake	0/0	0	\$0.00
4SPM	AIR COMPRESSOR {Bendix BA-921 Head Unload} 15.9 CFM Capacity, Single Cylinder	0/0	0	\$0.00
5710	STEERING COLUMN Tilting and Telescoping	0/0	0	\$0.00
5PTB	STEERING GEAR (2) {Sheppard M-100/M-80} Dual Power	122/-9	113	\$1,047.23
5WBH	STEERING WHEEL {Caterpillar} 2-Spoke, 18" Diam., Dark Neutral, Leather Wrapped	0/0	0	\$0.00
7BJU	EXHAUST SYSTEM Switchback Horizontal Aftertreatment Device, Frame Mounted Right Side Under Cab; Includes Single Vertical Tail Pipe & Guard, Right Side, Cab Mounted	0/0	0	\$0.00
7WBA	TAIL PIPE (1) Turnback Type, Bright, for Single Exhaust	0/0	0	\$145.13
7WBS	MUFFLER/TAIL PIPE GUARD (1) Bright Stainless Steel	6/1	7	\$119.15
8000	ELECTRICAL SYSTEM 12-Volt, Standard Equipment	0/0	0	\$0.00
	<u>Includes</u> : BATTERY BOX Aluminum : CIGAR LIGHTER Includes Ash Cup, Center Console Mounted : FUSES, ELECTRICAL SAE Blade-Type : HAZARD SWITCH Integral with Turn Signal Switch : HEADLIGHT DIMMER SWITCH Integral with Turn Signal Lever : HEADLIGHTS (2) Composite with Halogen Projector Beam : HORN, AIR Single, Chrome : HORN, ELECTRIC Single : PARKING LIGHT Integral with Front Turn Signal and Rear Tail Light : READING LIGHT, CAB (2) with Individual Switches; One Above Each Door : STARTER SWITCH Electric, Key Operated : STOP, TURN, TAIL & B/U LIGHTS Dual, Rear, Combination with Reflector : TURN SIGNAL FLASHER : TURN SIGNAL SWITCH Manual Cancelling with Lane Change Feature : TURN SIGNALS, FRONT Includes Integral Reflectors and Side Marker Lights; Fender Mounted			



2016-023
TWO (2) CT660S-TRUCK (PCT 3)

Vehicle Specifications

November 22, 2015

2017 CT660S SBA 6x4 (CF7AA)

<u>Code</u>	<u>Description</u>	<u>F/R Wt</u> (lbs)	<u>Tot Wt</u> (lbs)	<u>List</u> (US DOLLAR)
	: WINDSHIELD WIPER SWITCH 2-Speed with Wash and Intermittent Feature, Steering Column Mounted : WINDSHIELD WIPERS Single Motor, Electric, Cowl Mounted : WIRING, CHASSIS Color Coded and Continuously Numbered			
8653	HORN, AIR Single, Located Under Cab	5/0	5	\$0.00
8718	POWER SOURCE Cigar Type Receptacle without Plug and Cord	0/0	0	\$0.00
8GGN	ALTERNATOR {Bosch LH160} Brush Type, 12 Volt 160 Amp. Capacity, Pad Mount	0/0	0	\$0.00
8HAB	BODY BUILDER WIRING Back of Standard Cab at Left Frame or Under Extended or Crew Cab at Left Frame; Includes Sealed Connectors for Tail/Amber Turn/Marker/ Backup/Accessory Power/Ground and Sealed Connector for Stop/Turn	2/1	3	\$96.75
8MMJ	BATTERY SYSTEM {Caterpillar} (3) 12 Volt 2130CCA Total	0/0	0	\$0.00
8RMA	RADIO AM/FM/WB/Clock/Bluetooth/USB Input/3MM Auxiliary Input, MP3, Apple Device Play & Control, Bluetooth for Phone & Music, with Multiple Speakers	1/0	1	\$432.69
8RMG	ANTENNA BASE (2) Single Function, (1) for CB and (1) for Entertainment Radio, Without Splitter, Separate Lead-Ins, With CB Antenna Mounted on Left Mirror and AM/FM Antenna Mounted on Right Mirror	0/0	0	\$0.00
8VUK	BATTERY BOX Aluminum With Plastic Cover, 18" Wide, 2, 3, or 4 Battery Capacity, Mounted Right Side Back of Cab	0/0	0	\$0.00
8WCK	POWER SOURCE, TERMINAL TYPE 2-Post	0/0	0	\$0.00
8WEZ	TURN SIGNAL SWITCH Self-Canceling	0/0	0	\$0.00
8WNH	RUNNING LIGHT (2) Daytime	0/0	0	\$0.00
8WNT	CLEARANCE/MARKER LIGHTS (5) Amber LED Lights, Mounted on Sunshade	0/0	0	\$63.86
8WXG	STARTING MOTOR {Mitsubishi Electric Automotive America 105P} 12-Volt, with Soft-Start	0/0	0	\$0.00
8XAH	CIRCUIT BREAKERS Manual-Reset (Main Panel) SAE Type III With Trip Indicators, Replaces All Fuses Except For 5-Amp Fuses	0/0	0	\$88.69
8XCC	TOGGLE SWITCH, AUXILIARY (2) with Two 20-Amp Fuses/ Circuit Breakers	1/0	1	\$67.19
9ASE	FRONT END Tilting Composite	0/0	0	\$0.00
	<u>Includes</u> : GRILLE SURROUND Brushed Stainless Steel			
9HAN	INSULATION, UNDER HOOD for Sound Abatement	0/0	0	\$0.00
9HBN	INSULATION, SPLASH PANELS for Sound Abatement	0/0	0	\$0.00
10060	PAINT SCHEMATIC, PT-1 Single Color, Design 100	0/0	0	\$0.00
10761	PAINT TYPE Base Coat/Clear Coat, 1-2 Tone	0/0	0	\$0.00

2016-023
TWO (2) CT660S-TRUCK (PCT 3)



Vehicle Specifications

November 22, 2015

2017 CT660S SBA 6x4 (CF7AA)

<u>Code</u>	<u>Description</u>	<u>F/R Wt</u> (lbs)	<u>Tot Wt</u> (lbs)	<u>List</u> (US DOLLAR)
11MGZ	CLUTCH {Eaton Fuller Easy-Pedal Advantage} Manual Adjust, Two-Plate, Cast Angle Spring; Ceramic, 15.5" Diameter, 7-Spring Damper, Mechanical Pull-Type Control, 1700 lb-ft Torque Capacity <u>Includes</u> : CLUTCH RELEASE BEARING Greasable	0/0	0	\$0.00
12KXN	ENGINE, DIESEL {CT 13} EPA 2010, SCR, 390 HP @ 1700 RPM, 1450 lb-ft Torque @ 1000 RPM, 2100 RPM Governed Speed, 390 Peak HP (Max)	0/0	0	\$200.67
12THT	FAN DRIVE {Horton Drivemaster} Direct Drive Type, Two Speed With Residual Torque Device for Disengaged Fan Speed	0/0	0	\$0.00
12UND	FEDERAL EMISSIONS EPA, OBD and GHG Certified for Calendar Year 2015; CT13 Engines	0/0	0	\$8,000.00
12VBT	AIR CLEANER Single Element, Heavy Duty	0/0	0	\$0.00
12WBR	FAN OVERRIDE Manual; With Electric Switch on Instrument Panel, (Fan On With Switch On)	2/0	2	\$28.06
12WCX	HOSE CLAMPS, RADIATOR HOSES {Gates} Shrink Band Type	0/0	0	\$0.00
12WEG	COLD STARTING EQUIPMENT Automatic; With Engine ECM Control	0/0	0	\$0.00
12WTA	FAN DRIVE SPECIAL EFFECTS Fan Cooling Ring with Fan Shroud Effects, Engine Mounted	0/0	0	\$0.00
12WZE	EMISSION COMPLIANCE Federal, Does Not Comply With California Clean Air Idle Regulations	0/0	0	\$0.00
12XAV	RADIATOR Aluminum; Welded, Front to Back Down Flow System, 1429 SqIn, 740 SqIn CAC, 1099 SqIn 3 Core LTR	0/0	0	\$0.00
13GHW	TRANSMISSION, MANUAL {Fuller RTO(F)-14908LL} 10-Speed Manual; Double Lo With Overdrive and With Air Shift <u>Includes</u> : CLUTCH BRAKE Torque Limiting : FILL PLUG, MAGNETIC	-38/-7	-45	\$3,120.08
13WLB	TRANSMISSION OIL {EmGard 50W} Synthetic; 22 thru 33.99 Pints	0/0	0	\$101.23
13WVD	PTO CONTROL, DASH MOUNTED For Customer Provided PTO; Includes Control Valve, Piping and Wiring, Wired for PTO	2/0	2	\$53.75
14862	PDL WARNING BUZZER Power Divider Lock	0/2	2	\$26.88
14AJX	SHIELD, TEMPERATURE SENSOR Mounted to Rear Axle	0/3	3	\$41.21
14GRR	AXLE, REAR, TANDEM {Meritor RT-46-160P} Single Reduction, 46,000-lb Capacity, With Lube Pump, 200 Wheel Ends . Gear Ratio: 3.73 <u>Includes</u> : POWER DIVIDER LOCK Air Operated, Cab Control with Indicator Light in Cluster : REAR AXLE DRAIN PLUG (2) Magnetic, For Tandem Rear Axle	0/494	494	\$3,856.56



2016-023
TWO (2) CT660S-TRUCK (PCT 3)

Vehicle Specifications

November 22, 2015

2017 CT660S SBA 6x4 (CF7AA)

<u>Code</u>	<u>Description</u>	<u>F/R Wt</u> (lbs)	<u>Tot Wt</u> (lbs)	<u>List</u> (US DOLLAR)
14UHK	SUSPENSION, REAR, TANDEM {Hendrickson RT-463} Walking Beam Type 54" Axle Spacing; 46,000-lb Capacity With Bronze Center Bushings <u>Includes</u> : CROSSMEMBER, SUSPENSION 5-Piece <u>Notes</u> : The following features should be considered when calculating Rear GAWR: Rear Axles; Rear Suspension; Brake System; Brakes, Rear Air Cam; Brake Shoes, Rear; Special Rating, GAWR; Wheels; Tires.	0/792	792	(\$196.15)
14WAL	SUSPENSION/REAR-AXLE IDENTITY for Meritor Tandem Rear Axles With Bar-Pin Beam Attachment Type Suspensions	0/0	0	\$171.10
14WMK	AXLE, REAR, LUBE {EmGard FE-75W-90} Synthetic Oil; 65 thru 89.99 Pints	0/0	0	\$419.68
15DYP	DEF TANK 9.5 U.S. Gal. 36.0L Capacity, Frame Mounted Outside Left Rail, Under Cab	0/0	0	\$0.00
15LKU	FUEL/WATER SEPARATOR {Racor} Fuel Pre-Filter and Filter Base, Includes Water-In-Fuel Sensor	0/0	0	\$0.00
15SJR	FUEL TANK Top Draw; Non-Polished Aluminum, 26" Diam., 100 U.S. Gal., 378 L Capacity Mounted Left Side Under Cab	26/12	38	\$237.40
16031	CAB Conventional <u>Includes</u> : COAT HOOK, CAB Located on Rear Wall, Behind Passenger Seat : CONSOLE, CENTER Plastic, Driver Convenience with a Cup and Change Holder, Ash Tray and Lower Storage Area : DOME LIGHT, CAB (2) Driver and Passenger Dome Lights with Individual Switches, in Headliner : DOOR CHECK STRAP (2) One Each Door : GLASS, ALL WINDOWS Tinted : GRAB HANDLE, CAB INTERIOR (1) "A" Pillar Mounted, Passenger Side : GRAB HANDLE, EXTERIOR (2) Mounted Behind Driver and Passenger Doors : INTERIOR SHEET METAL Upper Door (Above Window Ledge) Painted Exterior Color : SKIN Riveted : STEP (4) Two Steps Per Door	0/0	0	\$0.00
16HBA	GAUGE CLUSTER English With English Electronic Speedometer	0/0	0	\$0.00
16HGL	GAUGE, OIL TEMP, REAR AXLE	0/0	0	\$163.40
16HKB	GAUGE, MANIFOLD PRESSURE Data Link Driven; Mounted in Instrument Panel, Includes Controller Module	0/0	0	\$83.42
16JPC	SEAT, DRIVER {National 2000 Model 295} Air Suspension, Intermediate Back, All Vinyl, 2 Arm Rests, Isolator, 7" Adjuster, 1 Chamber Lumbar, 2 Position Front Cushion Adjust, 3 Position Rear Cushion, 2-15 Degree Back Angle Adjust, Vinyl Suspension Cover	0/0	0	\$0.00



2016-023
TWO (2) CT660S-TRUCK (PCT 3)

Vehicle Specifications

November 22, 2015

2017 CT660S SBA 6x4 (CF7AA)

<u>Code</u>	<u>Description</u>	<u>F/R Wt</u> (lbs)	<u>Tot Wt</u> (lbs)	<u>List</u> (US DOLLAR)
16RAC	SEAT, PASSENGER {National 2000 Model 292} Non Suspension, Intermediate Back, All Vinyl, 11 Degree Back Angle Adjustment	32/4	36	\$484.65
16SKU	MIRRORS (2) {Lang Mekra} Aero; Rectangular, Power Both Sides, Thermostatically Controlled Heated Heads, Amber Lens Clearance Light LED, Black Painted Finish Heads, Brackets & Arms, Breakaway Type, 7.09" x 15.75" & Integral Convex Both Sides, 102" Inside Spacing	-1/0	-1	\$43.00
16VRT	HEATER, ENHANCED CIRCULATION {Bergstrom} Control, for Extreme Cold Weather Climates	0/0	0	\$0.00
16VTH	CAB INTERIOR TRIM Premium Level; for Caterpillar, Day Cab <u>Includes</u> : "A" PILLAR COVER Molded Plastic : CAB INTERIOR TRIM PANELS Vinyl : CONSOLE, OVERHEAD Molded Plastic with Three Storage Pockets; One with Strap for CB Radio Mounting; Two with Netting, Courtesy Lights with Switches : COURTESY LIGHT (2) Driver and Passenger Door Mounted : DOOR TRIM PANELS Vinyl Upper with Power Locks and Windows, Upper and Lower Grab Handles, Both Sides : FLOOR COVERING Rubber, Black : HEADLINER Soft Padded Vinyl : HEATER BOX Metal, Painted Black : INSTRUMENT PANEL TRIM Vinyl : MIRROR, CONVEX, LOOK DOWN Black Finish; 6" x 10-1/4"; Located on Passenger Side : STORAGE POCKET, DOOR (2) Driver and Passenger Door : SUN VISOR (2) Vinyl with Molded Toll Ticket Retainer	0/0	0	\$0.00
16VZA	WINDOW, REAR 52.25" Wide	0/0	0	\$0.00
16WAK	WINDOW, POWER (2) in Left and Right Doors	0/0	0	\$0.00
16WJG	CAB DOOR LOCKS Power	0/0	0	\$0.00
16WKB	AIR CONDITIONER {International Blend-Air} With Integral Heater & Defroster	0/0	0	\$0.00
16WKR	WINDSHIELD Single Piece	0/0	0	\$0.00
16WLD	CAB REAR SUSPENSION {Link Z9079D1} Dual Frame Mounted Cab Rear Air Suspension; Includes Special Crossmember Assembly	0/0	0	\$0.00
16XWD	SUNSHADE, EXTERIOR Aerodynamic, Painted Roof Color; Includes Integral Clearance/Marker Lights	0/0	0	\$0.00
16ZDU	GRAB HANDLE Exterior; Towel Bar Type In Lieu Of Non-Bright Grab Handles; for use with Cab or Cab/Sleeper Non-Bright Access, Without Frame Access or Chassis Skirts	2/0	2	\$29.03
27DNP	WHEELS, FRONT DISC; 22.5" Painted Steel, 10-Stud (285.75MM BC) Hub Piloted, 5-Hand Hole, Flanged Nut, Metric Mount, 12.25 DC Rims; With Steel Hubs, with 5.375" Offset <u>Includes</u> : PAINT IDENTITY, FRONT WHEELS White	100/0	100	\$588.24



2016-023
TWO (2) CT660S-TRUCK (PCT 3)
Vehicle Specifications

November 22, 2015

2017 CT660S SBA 6x4 (CF7AA)

<u>Code</u>	<u>Description</u>	<u>F/R Wt</u> (lbs)	<u>Tot Wt</u> (lbs)	<u>List</u> (US DOLLAR)
28DRN	WHEELS, REAR {Accuride} DUAL DISC; 22.5" Painted Steel, 5-Hand Hole, 10-Stud (285.75MM BC) Hub Piloted, Flanged Nut, Metric Mount, 8.25 DC Rims; With .472" Thick Increased Capacity Disc and Steel Hubs <u>Includes</u> : PAINT IDENTITY, REAR WHEELS White	0/58	58	\$397.32
29WLA	WHEEL BEARING, FRONT, LUBE {EmGard 50W} Synthetic Oil	0/0	0	\$21.50
7482133264	(8) TIRE, REAR 11R22.5 XDN2 (MICHELIN) 497 rev/mile, load range H, 16 ply	0/80	80	\$3,133.52
7652663208	(2) TIRE, FRONT 425/65R22.5 XZY-3 (MICHELIN) 465 rev/mile, load range L, 20 ply	178/0	178	\$452.06
Total of Product Features				\$168,889.20
Total Component Weight:		10289/8689	18978	
Total List Price Including Options:				\$168,889.20

The weight calculations included in this proposal are an estimate of future vehicle weight. The actual weight as manufactured may be different from the estimated weight. Neither Caterpillar nor its suppliers shall be liable for any consequences resulting from any differences between the estimated weight of a vehicle and the actual weight.



2016-023
TWO (2) CT660S-TRUCK (PCT 3)

Electronic Parameters Summary

November 22, 2015

2017 CT660S SBA 6x4 (CF7AA)
ENGINE, DIESEL (0012KXN)

ATTACHMENTS: 0016HBA (GAUGE CLUSTER) 0015LKU (FUEL/WATER SEPARATOR) 0012WEG (COLD STARTING EQUIPMENT) 0012THT (FAN DRIVE)

<u>Parameter</u>	<u>Value</u>	<u>UOM</u>
Max Accelerator Vehicle Speed:7902	75	MPH
Vehicle Speed Limiter Override:7911	0, DISABLE FEATURE OR FUNCTION	N/A
VSLO Speed Increment:7912	10	MPH
VSLO Maximum Activation Time:7914	30	MIN
VSLO Time Interval to Reset:7915	8.0	HOURS
VSLO Time Duration Source:7934	1, INTERVAL BASED ON REAL TIME CLOCK	N/A
Progressive Shift Enable:7744	0, DISABLE FEATURE OR FUNCTION	N/A
Low Gear Ratio Break Point:7742	5.435000	N/A
High Gear Ratio Break Point:7743	1.595000000	N/A
Low Gear Engine Speed Limit:7738	1550.0	RPM
High Gear Engine Speed Limit:7739	1600.0	RPM
Low Gear Engine Speed Range:7740	200.0	RPM
High Gear Engine Speed Range:7741	200.0	RPM
Min Gear Ratio for ProShift:7755	0.50	N/A
Gear Down Protection Enable:7714	0, DISABLE FEATURE OR FUNCTION	N/A
Top Gr Minus 2 Light Ld VS Lim:7715	36	MPH
Top Gr Minus 1 Light Ld VS Lim:7716	48	MPH
Top Gr Minus 2 Heavy Ld VS Lim:7735	39	MPH
Top Gr Minus 1 Heavy Ld VS Lim:7736	54	MPH
Driver Reward Enable:7918	0, DISABLE FEATURE OR FUNCTION	N/A
Driver Reward Mode:7930	2, BOTH ACCELERATOR AND CRUISE VEHICLE SPEED LIMIT INCREASE	N/A
Driver Reward Performance Crit:7925	0, FUEL ECONOMY BASED REWARD SYSEM	N/A
Fuel Economy - Expected Level:7921	6.00	MPG
Fuel Economy - Good Level:7920	6.25	MPG
Fuel Economy - Excellent Level:7919	6.40	MPG
% Idle Time - Expected Level:7924	25	%
% Idle Time - Good Level:7923	18	%
% Idle Time - Excellent Level:7922	10	%
Driver Reward Ambient Temp H:7938	150.0	C
Driver Reward Ambient Temp L:7939	-40.0	C
VS Lim Increase - Expected Lvl:7926	0	MPH
VS Lim Increase - Good Lvl:7927	2	MPH
VS Lim Increase - Excel Lvl:7928	4	MPH
VS Lim Decrease - Penalty Lvl:7929	-2	MPH
Idle Engine Speed:8202	600.0	RPM
Idle Speed Adjustment Enable:8215	1, ENABLE FEATURE OR FUNCTION	N/A
Idle Spd Adjust - Max Eng Spd:8212	0.0	RPM
Idle Spd Adjust - Bump Step:8216	5.0	RPM
Idle Spd Adjust Ramp Rate:8211	25	RPM/SEC
Maximum Standstill Eng Speed:7753	2100.0	RPM
Idle Shutdown Mode:7400	0, DISABLE FEATURE OR FUNCTION	N/A
ISD Time w/Park Brk Released:7401	15.0	MIN
ISD Time w/Park Brake Set:7404	5.0	MIN
ISD Latched Driver Override En:7407	0, DISABLE FEATURE OR FUNCTION	N/A
ISD Ambient Temp Override En:7408	0, DISABLE FEATURE OR FUNCTION	N/A
ISD Int Amb Temp Enable:7405	0, DISABLE FEATURE OR FUNCTION	N/A
ISD Max Ambient Temp Override:7402	20.0	C
ISD Int Amb Temp Override:7406	15.0	C
ISD Min Ambient Temp Override:7403	5.0	C
ISD Max Engine Coolant Temp:7412	150.0	C
ISD Min Engine Coolant Temp:7413	16.0	C
ISD Idle Shutdown Max Eng Trq:7409	80	%
Cruise Control Enable:7600	1, ENABLE FEATURE OR FUNCTION	N/A



2016-023
TWO (2) CT660S-TRUCK (PCT 3)

Electronic Parameters Summary

November 22, 2015

2017 CT660S SBA 6x4 (CF7AA)

CC Max Vehicle Speed:7604	75	MPH
CC Min Vehicle Speed:7603	25.0000	MPH
AESC Control:7500	0, DISABLE FEATURE OR FUNCTION	N/A
AESC In-cab Mode:7502	2, VARIABLE ENGINE SPEED CONTROL SELECTED	N/A
AESC Min Engine Speed:7522	600.0	RPM
AESC Max Engine Speed:7508	1500.0	RPM
AESC Preset Engine Speed 1:7505	800.0	RPM
AESC Preset Engine Speed 2:7506	900.0	RPM
AESC Preset Engine Speed 3:7514	1000.0	RPM
AESC Preset Engine Speed 4:7515	1100.0	RPM
AESC Preset Engine Speed 5:7516	1200.0	RPM
AESC Preset Engine Speed 6:7517	1300.0	RPM
AESC Activate at Preset Speed:7528	0, NO PRESET PRESELECTION	N/A
AESC Ramp Up Rate:7507	100.00	RPM/SEC
AESC Ramp Down Rate:7524	100.00	RPM/SEC
AESC Bump Up/Down Step:7525	25.0	RPM
AESC In-cab Operator Interface:7503	0, NO (OFF) OR DISABLE	N/A
AESC Disable w/ Clutch Pedal:7510	1, ENABLE FEATURE OR FUNCTION	N/A
AESC Disable w/ Brake Pedal:7511	1, ENABLE FEATURE OR FUNCTION	N/A
AESC Accel Pedal Mode:7513	1, AESC OVERRIDDEN BY ACCELERATOR PEDAL	N/A
AESC Max Engine Load:7519	100.0000	%
AESC Control to Engine Load:7530	0, KICK OUT OF AESC ABOVE PROGRAMMED LIMIT	N/A
AESC Max Engine Load Time:7527	8	SEC
AESC Vehicle Speed Limit:7521	5.0000	MPH
AESC Max Mobile Veh Spd:7501	5	MPH
AESC Eng Spd Limit w/VSS Fault:7518	1500	RPM
AESC Force Fan On:9007	0, DISABLE FEATURE OR FUNCTION	N/A
AESC Park Brake Override:7534	1, ENABLE FEATURE OR FUNCTION	N/A
AESC Transfer Case Signal Mode:8910	0, DRIVELINE	N/A
AESC Splitshaft Veh SPD Dsply:9307	0, SPEED SENSOR LOCATED IN WHEEL RIM	N/A
AESC Remote Accel Pedal Enable:7504	0, DISABLE FEATURE OR FUNCTION	N/A
AESC Remote Accel Pedal Switch:8914	0, DISABLE FEATURE OR FUNCTION	N/A
AESC Accel Max Eng Spd Ovrd:7520	1900.0	RPM
Rem Accelerator Switch Input:9929	1, SAE J1939 MULTIPLEXED	N/A
Preset Remote AESC Input Type:9932	0, DISCRETE (HARDWIRED) INPUT	N/A
Variable Remote AESC Input:9933	0, DISCRETE (HARDWIRED) INPUT	N/A
Rem Accelerator Position Input:9935	1, SAE J1939 MULTIPLEXED	N/A
Engine Protection Mode:7700	2, TWO WAY SHUTDOWN (OIL PRES, WATER TEMP)	N/A
Powertrain Protection Enable:7722	0, DISABLE FEATURE OR FUNCTION	N/A
Max Torque w/o Vehicle Speed:7712	1450.0000	LB-FT
Highest Gear of Low Range:7718	2	N/A
Highest Gear Rat of Low Range:7745	6.00	N/A
Highest Gear of Int. Range:7748	4	N/A
Highest Gear Rat of Int. Range:7746	4.00	N/A
Highest Gear of High Range:7749	6	N/A
Highest Gear Rat of High Range:7747	2.00	N/A
Max Torque in Low Gear Range:7713	1450.0000	LB-FT
Max Torque in Int. Gear Range:7750	1450.0000	LB-FT
Max Torque in High Gear Range:7751	1450.0000	LB-FT
VSS Anti-Tamper Max Eng Speed:7901	1212.2	RPM
Auxillary Shutdown Input Type:9931	0, DISCRETE (HARDWIRED) INPUT	N/A
Veh Speed Sensor Antitampering:7905	0, DISABLE FEATURE OR FUNCTION	N/A
Veh Overspd Threshold Level 1:7723	73.000000	MPH
Veh Overspd Threshold Level 2:7724	75.000000	MPH
Service Interval Enable	0, DISABLE FEATURE OR FUNCTION	N/A
Fuel Used Service Interval:9501	0	GALLONS
Engine Hour Service Interval:9502	0	HOURS
Veh Distance Service Interval:9503	0	MILES
Service Soon Percent to Notify:9507	90	%



2016-023
TWO (2) CT660S-TRUCK (PCT 3)
Electronic Parameters Summary

November 22, 2015

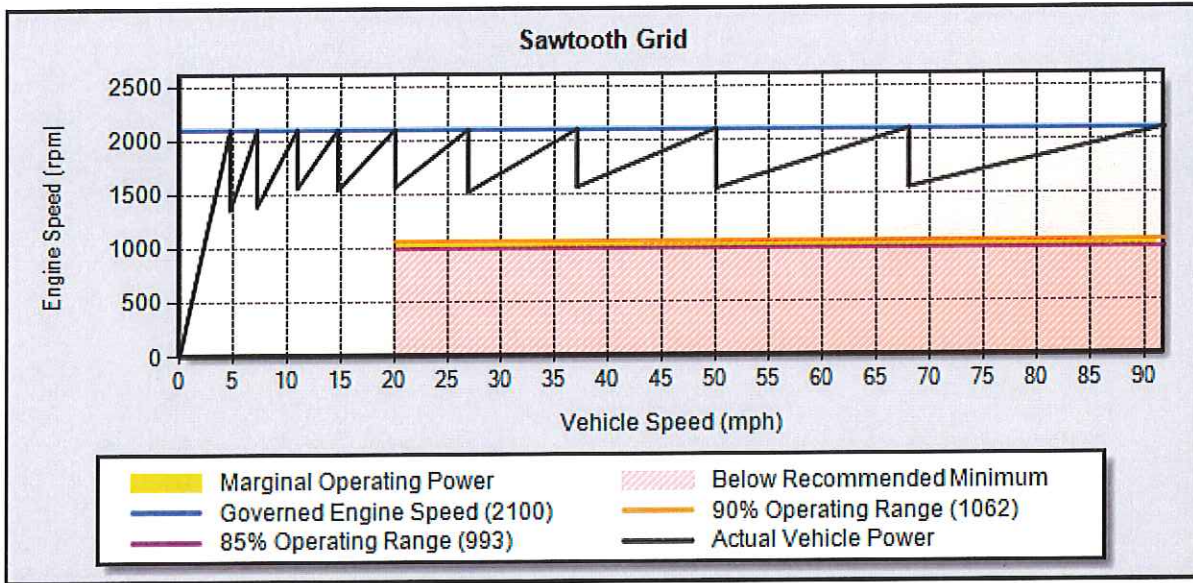
2017 CT660S SBA 6x4 (CF7AA)

Customer Unit Number:6605	0	N/A
Hard Braking Incident Counter:8904	1, ENABLE FEATURE OR FUNCTION	N/A
Hard Braking Decel Threshold:8905	7.40	MPH/SEC
Vehicle Over-speed Indicator:7754	0, FEATURE OR FUNCTION IS DISABLED	N/A
Customer Password:8700	00000000	N/A

These Electronic Parameters have been successfully finalized



2017 CT660S SBA 6x4 (CF7AA)
 ENGINE/TRANSMISSION MATCHING



Sawtooth Details

Gear	Trans Ratio	Upshift Power Avail		Govern Power Avail		Peak Power Comparison			Warn Msg
		Veh Spd (MPH)	Eng Spd (RPM)	Veh Spd (MPH)	Eng Spd (RPM)	Gear Step (%)	85% Range (%)	90% Range (%)	
1	14.56	0.0	0	4.7	2100	54.56	111	98	
2	9.42	4.7	1359	7.2	2100	50.96	111	98	
3	6.24	7.2	1391	10.9	2100	34.77	111	98	
4	4.63	10.9	1558	14.7	2100	36.18	111	98	
5	3.40	14.7	1542	20.0	2100	34.39	111	98	
6	2.53	20.0	1563	26.9	2100	38.25	111	98	
7	1.83	26.9	1519	37.1	2100	34.56	111	98	
8	1.36	37.1	1561	50.0	2100	36.00	111	98	
9	1.00	50.0	1544	68.0	2100	35.14	111	98	
10	0.74	68.0	1554	91.8	2100	0.00	111	98	

2016-023
 TWO (2) CT660S-TRUCK (PCT 3)



Performance TCAPE Summary

November 22, 2015

2017 CT660S SBA 6x4 (CF7AA)
 STEADY STATE PERFORMANCE

Performance Results	Gear	Veh Spd (mph)	Eng Spd (rpm)	Fuel Econ (mpg)	Grade (%)	Notes
LEVEL ROAD MAXIMUM SPEED	10	81.1	1853	4.06	0.00	
HI GEAR SPEED @ RATED RPM	-----	-----	-----	-----	-----	
55.0 MPH STEADY-STATE	10	55.0	1258	6.91	1.64	
TYPICAL OPERATING SPEED	10	68.0	1555	5.42	0.90	- Calculated Grade Ability/Fuel Economy

VEHICLE ORDER CODING ERRORS MAY RESULT IF THE "LEVEL ROAD MAX SPEED" VALUE EXCEEDS THE "HI GEAR SPEED @ RATED RPM" AND IS USED AS THE ENGINE PROGRAMMABLE VEHICLE SPEED LIMIT.

IF THE RESULTS CONTAIN "-----", VEHICLE CANNOT ATTAIN THAT SPEED.

IF THE RESULTS CONTAIN "*****", THE ENGINE USED DOES NOT HAVE A FUEL MAP. FUEL ECONOMY CANNOT BE PREDICTED.

Recommendations / General Information

IDLE FUEL RATE : 0.50 GALS/HR @ 600.0 RPM

Fuel Economy Route: Normal Route - City, Suburban, and Highway

Key Fuel Economy Information	City	Suburban	Highway	Notes
MILES PER GALLON	3.76	5.35	6.21	
AVERAGE MPH	18.5	39.4	54.6	
MISSION MINUTES	30.55	52.57	173.51	

IF THE RESULTS CONTAIN "*****", THE ENGINE USED DOES NOT HAVE A FUEL MAP. FUEL ECONOMY CANNOT BE PREDICTED.



2016-023
TWO (2) CT660S-TRUCK (PCT 3)

Performance TCAPE Summary

November 22, 2015

2017 CT660S SBA 6x4 (CF7AA)
GRADEABILITY PERFORMANCE

Grade Ability Table

Gear	Trans Ratio	Gear Step	Veh Spd (mph)	Eng Spd (rpm)	Whl Pwr (hp)	Grade (%)	Warn Msg	Start Grade (%)	Notes
1	14.56	54.56	1.8	800	105.26	34.83		24.83	- Calculated Start Ability
			2.2	1000	174.42	48.79	@		
			4.7	2100	278.95	35.21			
2	9.42	50.96	2.7	800	106.61	21.80		11.80	
			3.4	1000	244.09	43.16			
			4.7	1359	317.50	40.96			
3	6.24	34.77	7.2	2100	282.34	22.00			
			4.1	800	107.35	14.10		4.10	
			5.2	1000	245.98	27.15			
4	4.63	36.18	7.2	1391	323.38	25.51			
			10.9	2100	284.11	14.20			
			5.6	800	107.65	10.25		0.25	
5	3.40	34.39	7.0	1000	246.85	19.69			
			10.9	1558	338.96	17.17			
			14.7	2100	284.76	10.29			
6	2.53	38.25	9.5	1000	247.38	14.15			
			14.7	1542	338.39	12.40			
			20.0	2100	284.93	7.29			
7	1.83	34.56	12.8	1000	247.59	10.28			
			20.0	1563	340.02	8.87			
			26.9	2100	284.55	5.12			
8	1.36	36.00	26.9	1519	336.30	6.21			
			37.1	2100	283.37	3.27			
			37.1	1561	338.27	4.11			
9	1.00	35.14	50.0	2100	281.25	1.86			
			50.0	1544	339.73	2.52			
			64.7	1998	312.30	1.00			
10	0.74	0.00	67.9	2097	281.79	0.50			
			68.0	2100	280.95	0.49			
			66.6	1522	328.26	1.00			
			68.0	1554	330.37	0.90			
			74.2	1697	337.04	0.50			
			81.2	1855	332.43	0.00			
			91.9	2100	269.05	-1.12			

STARTING / TOP GEAR PERFORMANCE

Gear	Trans Ratio	Gear Step	Veh Spd (mph)	Eng Spd (rpm)	Whl Pwr (hp)	Grade (%)	Warn Msg	Start Grade (%)	Notes
1	14.56	54.56	1.8		105.26	34.83		24.83	- Calculated Start Ability
2	9.42	50.96	2.7		106.61	21.80		11.80	
3	6.24	34.77	4.1		107.35	14.10		4.10	
4	4.63	36.18	5.6		107.65	10.25		0.25	

@ - WHEELSLIP CAN OCCUR AT THE GRADE SHOWN. THE VEHICLE IS CAPABLE OF INCREASED GRADEABILITY IF MORE WEIGHT IS PLACED ON THE DRIVE AXLES.



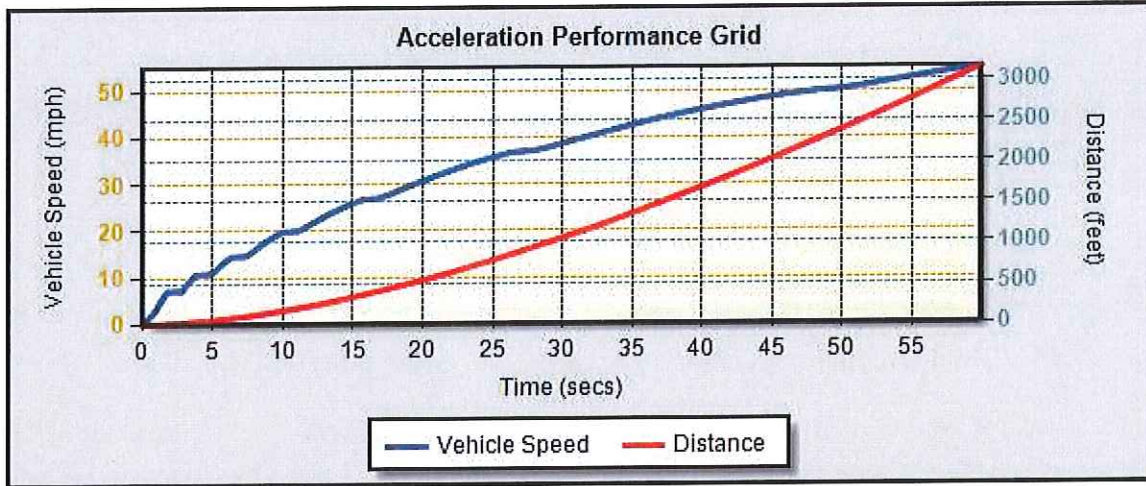
2016-023
TWO (2) CT660S-TRUCK (PCT 3)

Performance TCAPE Summary

November 22, 2015

2017 CT660S SBA 6x4 (CF7AA)
ACCELERATION PERFORMANCE RESULTS

Acceleration Performance Grid



Acceleration Performance: TIME TO ACCELERATE ON A GRADE TO 55.0 (MPH) IS 59.99 (SECS)

Acceleration Performance Details

Gear	Time (secs)	Distance (feet)	Speed (mph)	Notes
2	0.32	0.2	1.0	
	0.65	1.0	2.0	
	0.93	2.0	3.0	
	1.13	3.0	4.0	
	1.31	4.2	5.0	
	1.52	5.9	6.0	
	1.77	8.2	7.0	
	1.83	8.9	7.2	
	2.83	19.4	7.1	
3	3.07	22.0	8.1	
	3.32	25.3	9.1	
	3.62	29.4	10.1	
	3.90	33.8	10.9	
	4.90	49.7	10.7	
4	5.22	54.8	11.7	
	5.56	60.9	12.7	
	5.94	68.3	13.7	
	6.37	77.3	14.7	
	7.37	98.7	14.5	
5	7.78	107.7	15.5	
	8.21	117.8	16.5	
	8.67	129.2	17.5	
	9.17	142.5	18.5	
	9.74	158.5	19.5	
	10.06	167.7	20.0	
6	11.06	196.8	19.8	
	11.61	213.3	20.8	
	12.19	231.3	21.8	
	12.79	250.8	22.8	
	13.42	272.5	23.8	
	14.11	297.0	24.8	
	14.87	325.4	25.8	



2016-023
TWO (2) CT660S-TRUCK (PCT 3)
Performance TCAPE Summary

November 22, 2015

2017 CT660S SBA 6x4 (CF7AA)				
Gear	Time (secs)	Distance (feet)	Speed (mph)	Notes
	15.74	359.0	26.8	
	15.80	361.4	26.9	
	16.80	400.6	26.7	
7	17.57	431.3	27.7	
	18.37	464.2	28.7	
	19.19	499.3	29.7	
	20.04	536.8	30.7	
	20.92	576.9	31.7	
	21.84	620.3	32.7	
	22.82	667.8	33.7	
	23.87	720.8	34.7	
	25.04	780.8	35.7	
	26.33	849.3	36.7	
	27.01	886.4	37.1	
	28.01	940.7	36.9	
8	29.17	1003.9	37.9	
	30.35	1070.8	38.9	
	31.58	1141.5	39.9	
	32.84	1216.2	40.9	
	34.14	1295.2	41.9	
	35.48	1378.8	42.9	
	36.89	1468.4	43.9	
	38.38	1565.6	44.9	
	39.98	1671.9	45.9	
	41.71	1789.8	46.9	
	43.61	1921.8	47.9	
	45.71	2070.9	48.9	
	48.07	2241.6	49.9	
	48.28	2256.7	50.0	
	49.28	2329.8	49.7	
9	51.14	2467.3	50.7	
	53.07	2612.0	51.7	
	55.06	2764.4	52.7	
	57.13	2925.2	53.7	
	59.26	3094.9	54.7	
	59.99	3153.0	55.0	



2016-023
TWO (2) CT660S-TRUCK (PCT 3)
Performance TCAPE Summary

November 22, 2015

2017 CT660S SBA 6x4 (CF7AA)
REQUIRED TCAPE INFORMATION

TCAPE Factors For Vehicle

Selected Rear Axle Gear Ratio(s):	3.73
Vehicle Vocation:	GENERAL ON HIGHWAY
Road Surface Type:	TYPICAL
Enroute PTO:	NO
Fuel Economy Route:	Normal Route - City, Suburban, and Highway
Engine Fan Type:	VISCOUS
ID Wheel Slip Conditions:	Yes
Parked PTO:	NO
Road Governor/Cruise Ctrl:	No
Acceleration Grade (%):	0.0
Alternator (A):	40
Weight on Drive Axle (LBF):	46000
Relative Drag Coefficient:	105
Frontal Area (FT2):	88
Acceleration Start Gear:	2
Air Compressor (HP):	2.20
Acceleration Vehicle Spd (MPH):	55.0
Vehicle Width (IN):	96
Vehicle Height (IN):	132
Steering Gear (HP):	2.60
Air Conditioner (HP):	2.20
Speed Limit on Route (MPH):	61.0
TIRE, FRONT	2 - RADIAL WIDEBASE
TIRE, REAR	8 - RADIAL NORMAL

Components

0002ARY	AXLE, FRONT NON-DRIVING {Meritor MFS-20-133A} Wide Track, I-Beam Type, 20,000-lb Capacity
0004SPM	AIR COMPRESSOR {Bendix BA-921 Head Unload} 15.9 CFM Capacity, Single Cylinder
0005PTB	STEERING GEAR (2) {Sheppard M-100/M-80} Dual Power
0008GGN	ALTERNATOR {Bosch LH160} Brush Type, 12 Volt 160 Amp. Capacity, Pad Mount
0012KXN	ENGINE, DIESEL {CT 13} EPA 2010, SCR, 390 HP @ 1700 RPM, 1450 lb-ft Torque @ 1000 RPM, 2100 RPM Governed Speed, 390 Peak HP (Max)
0012THT	FAN DRIVE {Horton Drivemaster} Direct Drive Type, Two Speed With Residual Torque Device for Disengaged Fan Speed
0013GHW	TRANSMISSION, MANUAL {Fuller RTO(F)-14908LL} 10-Speed Manual; Double Lo With Overdrive and With Air Shift
0014GRR	AXLE, REAR, TANDEM {Meritor RT-46-160P} Single Reduction, 46,000-lb Capacity, With Lube Pump, 200 Wheel Ends
0016031	CAB Conventional
0016WKB	AIR CONDITIONER {International Blend-Air} With Integral Heater & Defroster
0016XWD	SUNSHADE, EXTERIOR Aerodynamic, Painted Roof Color; Includes Integral Clearance/Marker Lights
07482133264	TIRE, REAR 11R22.5 XDN2 (MICHELIN) 497 rev/mile, load range H, 16 ply 11R22.5 XDN2 (MICHELIN) 497 rev/mile, load range H, 16 ply
07652663208	TIRE, FRONT 425/65R22.5 XZY-3 (MICHELIN) 465 rev/mile, load range L, 20 ply 425/65R22.5 XZY-3 (MICHELIN) 465 rev/mile, load range L, 20 ply

TCAPE HAS BEEN DESIGNED TO GIVE ECONOMY AND PERFORMANCE PREDICTIONS WHICH HAVE BEEN SHOWN TO BE TYPICAL FOR MOST OPERATIONS. HOWEVER, DUE TO OPERATING CONDITIONS, DRIVER INFLUENCES, AND OTHER FACTORS, YOUR RESULTS MAY VARY FROM THOSE PREDICTED. ALSO, BECAUSE OF FUEL MAPPING PROCEDURES USED BY VARIOUS ENGINE MANUFACTURERS, COMPARISONS OF FUEL ECONOMY RESULTS FOR DIFFERENT BRANDS OF ENGINES MAY VARY FROM THOSE SHOWN.

NEITHER CATERPILLAR NOR ITS SUPPLIERS SHALL BE LIABLE FOR ANY LOSS OF PROFITS, LOSS OF USE, INTERRUPTION OF BUSINESS OR INDIRECT, SPECIAL, INCIDENTAL OR CONSEQUENTIAL DAMAGES OF ANY KIND THAT ARE INCURRED BY DEALER OR BY DEALER'S CUSTOMERS AS A RESULT OF RELIANCE ON TCAPE, WHETHER THE CLAIM IS IN CONTRACT, TORT (INCLUDING NEGLIGENCE), STRICT LIABILITY OR OTHERWISE.

2016-023
TWO (2) CT660S-TRUCK (PCT 3)

Turning Radius Summary

November 22, 2015

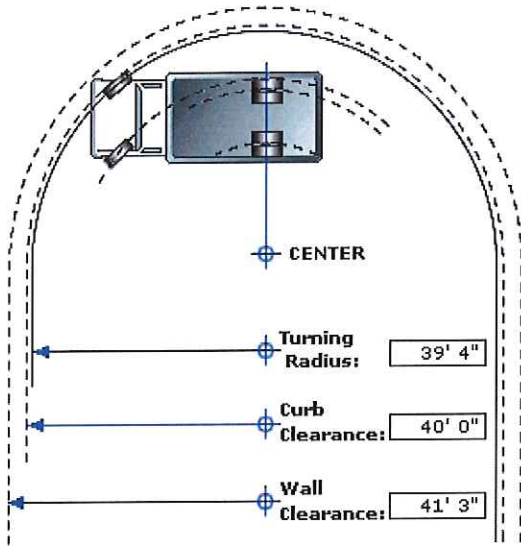


2017 CT660S SBA 6x4 (CF7AA)

Series: CAT
 Model: CF7AA
 Description: CT660S SBA 6x4
 Model Year: 2017

Calculation Factors

Wheelbase: 260
 Front Axle: 0002ARY
 Description: AXLE, FRONT NON-DRIVING, {Meritor MFS-20-133A} Wide Track, I-Beam Type, 20,000-lb Capacity
 Front Wheel: 0027DNP
 Description: WHEELS, FRONT, DISC; 22.5" Painted Steel, 10-Stud (285.75MM BC) Hub Piloted, 5-Hand Hole, Flanged Nut, Metric Mount, 12.25 DC Rims; With Steel Hubs, with 5.375" Offset
 Front Tire: 07652663208
 Description: TIRES, 425/65R22.5 XZY-3 (MICHELIN) 465 rev/mile, load range L, 20 ply
 Steering Gear: 0005PTB
 Description: STEERING GEAR, (2) {Sheppard M-100/M-80} Dual Power



Turning Radius Statistics

General Information

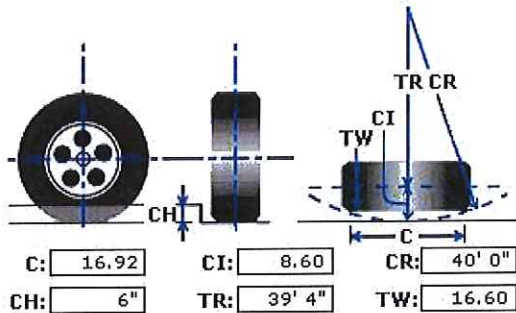
Inside Turn Angle: 40 Degrees
 Radial Overhang: 23

Axle Information

KingPin Inclination: 6.25 Degrees
 KingPin Center: 71

Turning Radius - Curb View

C - Curb Contact Length: 16.92
 CI - Curb Clearance Increment: 8.60
 CR - Curb Clearance Radius: 40'0"
 CH - Curb Height: 6"
 TR - Turning Radius: 39'4"
 TW - Tire Width: 16.60



* All Measurements are in inches, unless otherwise specified.

2016-023
TWO (2) CT660S-TRUCK (PCT 3)

Turning Radius Summary

November 22, 2015



2017 CT660S SBA 6x4 (CF7AA)

This information is based on engineering information available at this time. Actual figures may vary. Neither Caterpillar nor its suppliers can accept liability for consequences due to this variance.

ROLL-OFF CABLE HOISTS



Tel: 800.285.0666 | sales@wastequip.com | www.galbreathproducts.com



OUTSIDE RAIL SERIES

Outside Rail (OR) roll-off cable hoists are the most common and versatile hoists in use today.

- » 30,000 to 75,000 lb. capacity
- » Single and tandem axle

OR SERIES

STANDARD FEATURES

Ease of operation

- Centered cab-mount Power Tower
- Plug n' Play wiring system
- Pintle ready rear aprons
- Standard inside air control

Safety

- Automatic front container spring-loaded locking system and rear container hold-downs
- Heavy-duty safety props
- Automatic fold-up ICC bumper
- Backup alarm and hoist-up alarm with signal light on dash
- Optional hoist-up speed-limiting parameters

* Factory mount models

All Galbreath products are designed to be compliant with ANSI standard container requirements.

Durability

- 3 micron filtration system with dual viscosity oil
- Two-part epoxy primer and paint*
- Field-tested heavy-duty rear hinge
- Hoist frames are huck bolted to chassis*
- Shock-absorbing sub-frame
- Oil reservoir is filter-cart-ready
- LED lighting
- Lifetime warranty on frame and two-year warranty on hydraulics

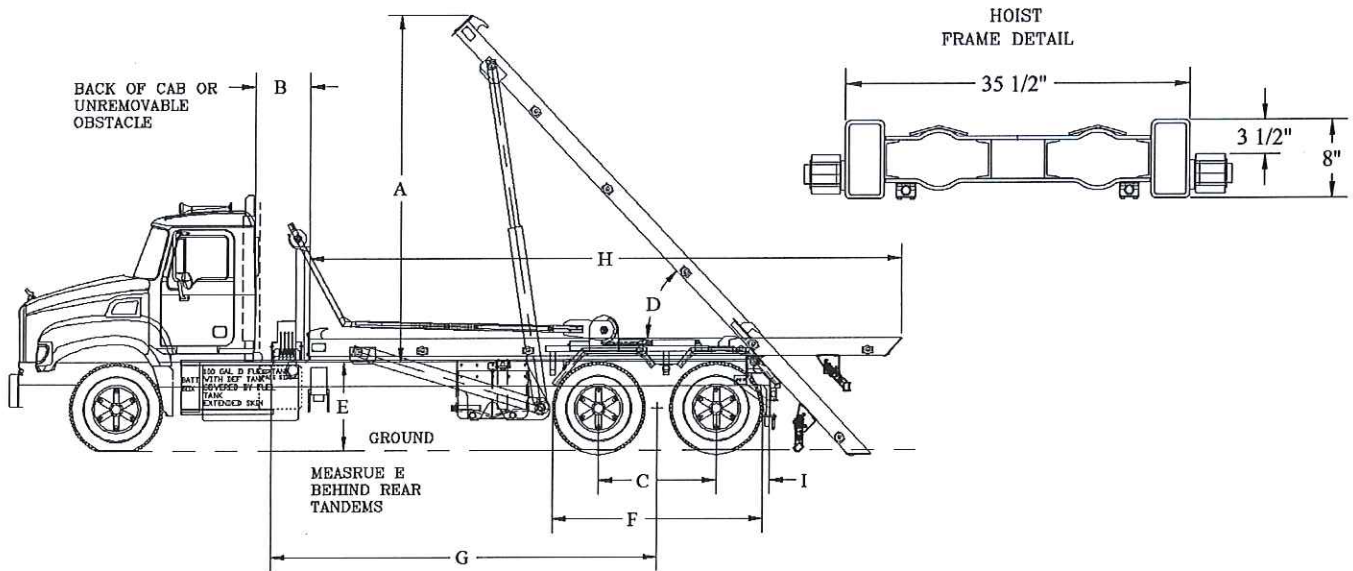
Quality

- Stringent, multi-year product testing, engineering, solid modeling, and stress analysis testing ensure maximum product quality
- Customized engineering layouts based on customers' chassis ensure compatibility

AVAILABLE OPTIONS

- Reverse cylinder mount
- Pintle hook applications
- Various fender selections
- Auxiliary hydraulic hook-ups
- Scale systems
- Pioneer Rack'n Pinion tarping systems

SPECIFICATIONS



Notes for chart below:

- 1 When recommending container lengths, weight distribution, fender interference and overhang are factors.
- 2 Factory tested with recommended container length and water level load
- 3 Frame = top of truck chassis frame
- 4 This distance does not allow for a behind-the-cab oil reservoir, tarper platform or room to add a tarper. Must add distance for these items.
- 5 Use 22.5" tires only. For larger tires, consult representative.

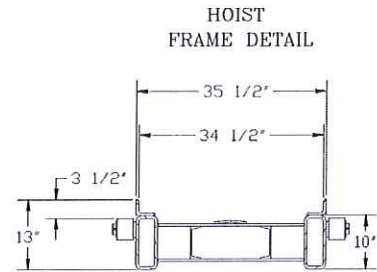
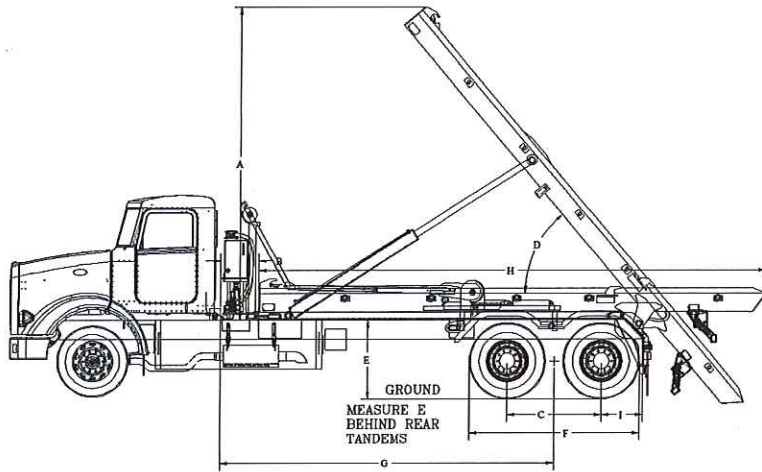
	U3-OR-156	U5-OR-174	U5-OR-194	UT-OR-174
FEATURE	SINGLE AXLE	TANDEM AXLE	TANDEM AXLE	TANDEM AXLE
Recommended container size ¹	14'-20'	18'-22'	20'-24'	18'-22'
Rated capacity ²	30,000 lbs.	60,000 lbs.	60,000 lbs.	60,000 lbs.
A - Height above truck frame ³	156-3/4"	162-1/2"	180-7/8"	164"
B - Back of cab to hoist ⁴ (add 12" for tarper or hard plumbing)	6"	6"	6"	6"
C - Axle spread	n/a	51-55"	51-55"	51-55"
D - Raised dump angle	51°	47°	48°	48°
E - Top of truck frame to ground ^{3,5}	42"	46"	46"	46"
F - Tire OD to OD	n/a	96" max	96" max	96" max
G - Cab to Trunnion (CT) (add 12" for tarper or hard plumbing)	156"	174"	194"	174"
H - Hoist length	246"	280"	300"	280"
I - After frame Add 2" for air ride	37 1/4"	23"	23"	23"
Lift cylinders DA = double acting DAT = double acting telescopic	5" x 3" x 54" DA	6" x 4" x 72" DA	6" x 5" x 114" DAT	6-5-4" X 118" DAT
Lift cylinders shaft	1-1/2" solid	2-1/2" solid	2-1/2" solid	2-1/2" solid
Winch cylinders DA = double acting	5" x 3" x 66" DA	7" x 4" x 80" DA	7" x 4" x 90" DA	7" x 4" x 80" DA
Approx. weight with standard features	5,900 lbs.	7,562 lbs.	8,206 lbs.	7,791 lbs.

FEATURES	SINGLE AXLE	TANDEM AXLE
Hoist frame	8" x 3" x 3/8" A500 grade C tubing	8" x 4" x 1/2" A500 grade C tubing
Subframe	4" x 3" x 1/4" A500 grade C tubing	3" x 2" x 3/16" A500 grade C tubing
Front stop	1-1/2" plate steel	1-1/2" plate steel
Front safety lock	Automatic spring loaded	Automatic spring loaded
Hinge shaft	1-1/2" solid steel	2-1/2" solid steel
Cable anchors	4 cable clamps	4 cable clamps
Cable end	Pear eye	Swedged end swivel eye
Rear hold downs	1/2" plate located for standard Wastequip containers	3/4" plate located for standard Wastequip containers
Operating pressure	1,850 psi	1,850 psi
Hydraulic pump	Gear type 17.5 gpm @ 1,500 rpm	Gear type 35 gpm @ 1,500 rpm
Hydraulic valve	2 spool / 25 gpm with safety bypass	2 spool / 45 gpm with safety bypass
Oil reservoir	20 gallon with 3 micron filter and fill	50 gallon with 3 micron filter and fill
Outside rollers	4" OD with bronze bearings	4" OD with bronze bearings
Cable sheaves	10" OD with bronze bearings	10" OD with bronze bearings
Working points	Greasable	Greasable
Chassis front axle	9,000 (min.) capacity with power steering	18,000 (min.) capacity with power steering
Chassis rear axle	22,400# capacity (min.)	44,000# capacity (min.)
Frame modulus	50,000 PSI or more chassis frames - minimum section modulus = 17.5 in ³	50,000 PSI or more chassis frames - minimum section modulus = 24 in ³
Torque required	103 foot pounds of torque	248 foot pounds of torque

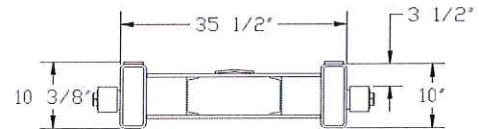
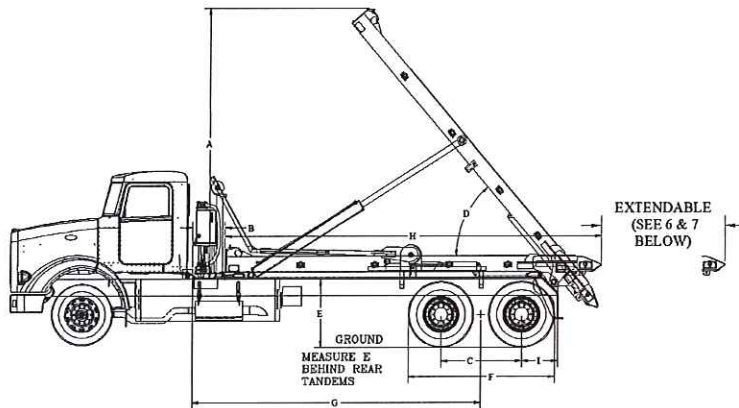
	UT-OR-194	U75-OR-174	U75-OR-194	UH-OR-174	UH-OR-194
FEATURE	TANDEM AXLE	TANDEM AXLE	TANDEM AXLE	TANDEM AXLE	TANDEM AXLE
Recommended container size ¹	20'-24'	18'-22'	20'-24'	18'-22'	20'-24'
Rated capacity ²	60,000 lbs.	75,000 lbs.	75,000 lbs.	75,000 lbs.	75,000 lbs.
A - Height above truck frame ³	178-3/4"	162-3/8"	178-3/4"	163-5/16"	178-1/2"
B - Back of cab to hoist ⁴ (add 12" for tarper or hard plumbing)	6"	6"	6"	6"	6"
C - Axle spread	51-55"	51-55"	51-55"	51-55"	51-55"
D - Raised dump angle	48°	47°	48°	47°	47°
E - Top of truck frame to ground ^{3,5}	46"	46"	46"	46"	46"
F - Tire OD to OD	96" max	96" max	96" max	96" max	96" max
G - Cab to Trunnion (CT) (add 12" for tarper or hard plumbing)	194"	174"	194"	174"	194"
H - Hoist length	300"	280"	300"	280"	300"
I - After frame Add 2" for air ride	23"	23"	23"	23"	23"
Lift cylinders DA = double acting DAT = double acting telescopic	6-5-4" X 118" DAT	7" x 4" x 72" DA	6-5-4" X 118" DAT	6-5-4" X 118" DAT	6-5-4" X 118" DAT
Lift cylinders shaft	2-1/2" solid	2-1/2" solid	2-1/2" solid	2-1/2" solid	2-1/2" solid
Winch cylinders DA = double acting	7" x 4" x 90" DA	7" x 4" x 80" DA	7" x 4" x 90" DA	7" x 4" x 80" DA	7" x 4" x 90" DA
Approx. weight with standard features	8,068 lbs.	8,242 lbs.	8,886 lbs.	8,471 lbs.	9,115 lbs.

OTHER GALBREATH HOISTS AVAILABLE

IO Series

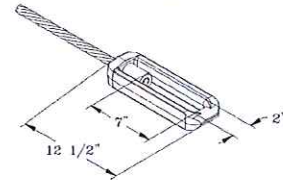


EX Series

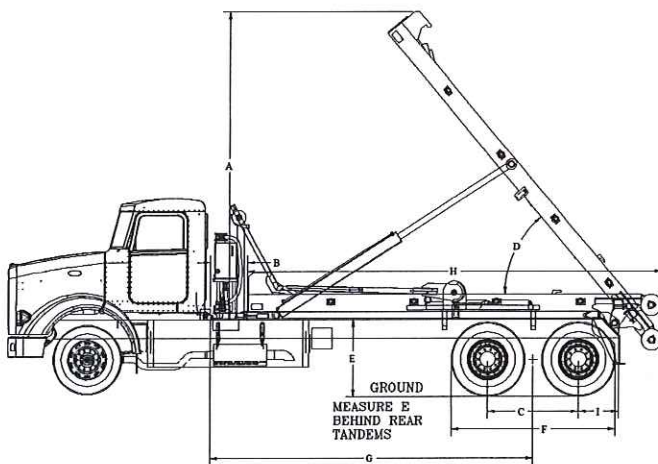


HOIST
FRAME DETAIL

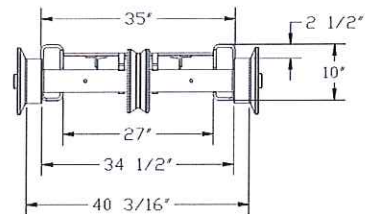
SWIVEL CABLE END



HH Series



HOIST
FRAME DETAIL



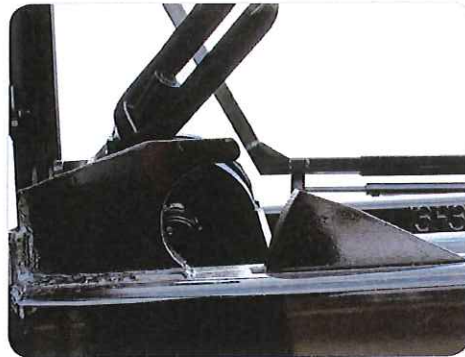
KNUCKLE CABLE END

GALBREATH QUALITY

Standard Features



3 micron filtration system (pictured at right) with dual viscosity oil reduces contamination, required maintenance, and down time.



Automatic front container spring-loaded locking system and rear container hold-downs help ensure container remains in place.



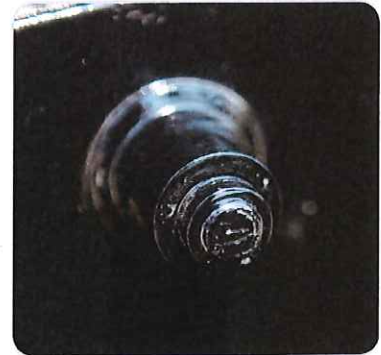
"Plug n' Play" wiring system eliminates crossed wires, loose connections, corrosion and splices, and allows for easy light replacement.



Oil reservoir is filter-cart-ready, reducing maintenance costs.



Air assist ICC bumper



Hoist frames are huck bolted to chassis, providing unmatched strength and durability. (factory mount only)

Available Options



Rear skid plate with outboard supported rollers



Optional rear ratchet straps on all cable models



Pintle ready rear aprons allow for the addition of a pintle hook and easy upgrade to a trailer package.

AVAILABLE OPTIONS

- Reverse cylinder mount
- Pintle hook applications
- Various fender selections
- Auxiliary hydraulic hook-ups
- Scale systems
- Pioneer Rack 'n Pinion tarping systems

TRUCK SPECIFICATIONS

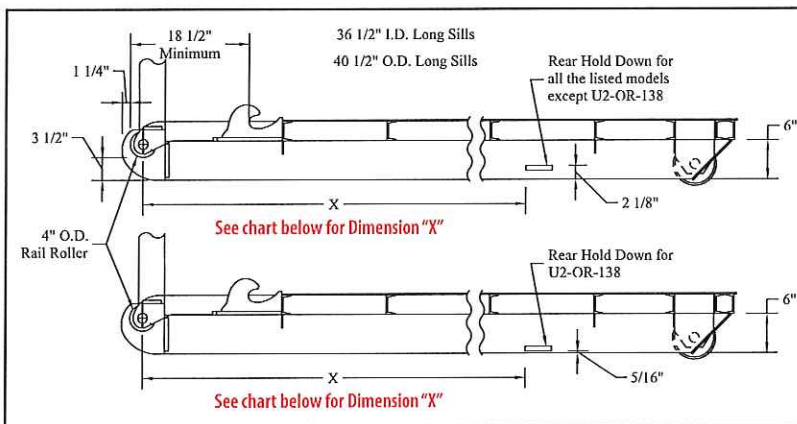
Single axle:

- Front axle: 9,000 lbs. (min.) capacity
- Rear axle: 22,400 lbs. (min.) capacity
- 50,000 psi or more chassis frames
- Minimum section modulus = 17.5 in.³

Tandem axle:

- Front axle: 18,000 lbs. (min.) capacity
- Rear axle: 44,000 lbs. (min.) capacity
- 50,000 psi or more chassis frames
- Minimum section modulus = 24 in.³

CONTAINER REQUIREMENTS



All Galbreath products are designed to be compliant with ANSI standard container requirements.

DIMENSION "X"*

CONTAINER LENGTHS

MODEL	12 ft.	13 ft.	14 ft.	15 ft.	16 ft.	17 ft.	18 ft.	19 ft. +
All (except U2-EX/IO/OR-138 & U3-EX/IO/OR-156)	Additional info. needed	145-1/2"	145-1/2"	149"	149"	173"	173"	191"
U2-EX/IO/OR-138	Length not recommended	Length not recommended	158"	158"	158"	158"	158"	Length not recommended
U3-EX/IO/OR-156	Length not recommended	Length not recommended	149"	173"	173"	173"	173"	173"

* Dimension "X" is center of rail roller to front of rear hold-down

NOTE: Tolerance for all models is +1" / -0" except where container lengths are not recommended or where more information is required.



Tel: 800.285.0666 | sales@wastequip.com | www.galbreathproducts.com

Wastequip is the leading North American manufacturer of waste and recycling equipment for collecting, processing and transporting recyclables and solid or liquid waste. © January 2015 Wastequip, all rights reserved. Specifications subject to improvement without notice. Equipment displayed should be operated by properly trained personnel. Operators should become familiar with OSHA, ANSI and any other applicable standards or laws for using this equipment. Improper use, misuse, or lack of maintenance could cause injury to people and/or property. Photos used in the literature are illustrative only. We assume no liability or responsibility for proper training/operation of equipment not manufactured by Wastequip. We reserve the right to make changes at any time without notice. Information contained within this literature is intended to be the most accurate available at time of printing.

2016-023 2 CT660S TRUCK (PCT 3)

Form **8038-G**
(Rev. November 2000)
Department of the Treasury
Internal Revenue Service

Information Return for Tax-Exempt Governmental Obligations

► Under Internal Revenue Code section 149(e)
► See separate instructions.

OMB No. 1545-0720

Caution: If the issue price is under \$100,000, use Form 8038-GC.

Part I Reporting Authority		If Amended Return, check here <input type="checkbox"/>	
1 Issuer's name	2 Issuer's employer identification number		
3 Number and street (or P.O. box if mail is not delivered to street address)	Room/suite	4 Report number	3
5 City, town, or post office, state, and ZIP code		6 Date of issue	
7 Name of issue		8 CUSIP number	
9 Name and title of officer or legal representative whom the IRS may call for more information		10 Telephone number of officer or legal representative ()	

Part II Type of Issue (check applicable box(es) and enter the issue price) See instructions and attach schedule

11 <input type="checkbox"/> Education	11
12 <input type="checkbox"/> Health and hospital	12
13 <input type="checkbox"/> Transportation	13
14 <input type="checkbox"/> Public safety	14
15 <input type="checkbox"/> Environment (including sewage bonds)	15
16 <input type="checkbox"/> Housing	16
17 <input type="checkbox"/> Utilities	17
18 <input type="checkbox"/> Other. Describe ►	18
19 If obligations are TANs or RANs, check box <input type="checkbox"/> If obligations are BANs, check box <input type="checkbox"/>	
20 If obligations are in the form of a lease or installment sale, check box <input type="checkbox"/>	

Part III Description of Obligations. Complete for the entire issue for which this form is being filed.

(a) Final maturity date	(b) Issue price	(c) Stated redemption price at maturity	(d) Weighted average maturity	(e) Yield
21	\$	\$	years	%

Part IV Uses of Proceeds of Bond Issue (including underwriters' discount)

22 Proceeds used for accrued interest	22
23 Issue price of entire issue (enter amount from line 21, column (b))	23
24 Proceeds used for bond issuance costs (including underwriters' discount)	24
25 Proceeds used for credit enhancement	25
26 Proceeds allocated to reasonably required reserve or replacement fund	26
27 Proceeds used to currently refund prior issues	27
28 Proceeds used to advance refund prior issues	28
29 Total (add lines 24 through 28)	29
30 Nonrefunding proceeds of the issue (subtract line 29 from line 23 and enter amount here)	30

Part V Description of Refunded Bonds (Complete this part only for refunding bonds.)

31 Enter the remaining weighted average maturity of the bonds to be currently refunded years

32 Enter the remaining weighted average maturity of the bonds to be advance refunded years

33 Enter the last date on which the refunded bonds will be called

34 Enter the date(s) the refunded bonds were issued

Part VI Miscellaneous

35 Enter the amount of the state volume cap allocated to the issue under section 141(b)(5)

36a Enter the amount of gross proceeds invested or to be invested in a guaranteed investment contract (see instructions)

b Enter the final maturity date of the guaranteed investment contract

37 Pooled financings: a Proceeds of this issue that are to be used to make loans to other governmental units

b If this issue is a loan made from the proceeds of another tax-exempt issue, check box and enter the name of the issuer and the date of the issue

38 If the issuer has designated the issue under section 265(b)(3)(B)(i)(III) (small issuer exception), check box

39 If the issuer has elected to pay a penalty in lieu of arbitrage rebate, check box

40 If the issuer has identified a hedge, check box

Under penalties of perjury, I declare that I have examined this return and accompanying schedules and statements, and to the best of my knowledge and belief, they are true, correct, and complete.

Sign Here

Signature of issuer's authorized representative _____ Date _____ Type or print name and title _____



2016-023
Two (2) CT6605-Truck
Pct 3

B & C BODY COMPANY
P.O. BOX 2867
LONGVIEW, TX 75606

DATE: November 21, 2015
CUSTOMER NAME: HOLT CAT
ADDRESS:
CITY/STATE/ZIP: EDINBURG, TX
ATTN: MARK
SALESMAN: JIM LEWIS

QUOTE # jfl151016-8

	DESCRIPTION	AMOUNT
1ea.	Galbreath U5-OR-174 , 60,000# Capacity Roll-Off Hoist W/ Outside Rails, Capable Of Loading 22ft. Containers, W/ Inside Air Controls, 5 Spool Outside Manual Control Valve, 48" Steel Tool Box, Tandem Tread Plate Fenders, Tarper Platform w/ Control Valve Cover, Approach Ramps w/ Ratchet Hold Straps, Hard Plumbing, Air Assist ICC Bumper, Air shift PWO w/ Direct mount pump, Huck Bolt Mounted & Painted Black w/ Decals & Reflective Tape.	\$ 36,400.00
1ea.	Pioneer Rack & Pinion RP4500 SARG Adjustable Gantry Tarper Painted Black	
	Freight from Durant, OK to Edinburg, TX	1,250.00

TRUCK MUST HAVE A CLEAR CT OF 186 " BOTH TOP & SIDE RAILS

PAYMENT DUE UPON RECEIPT
PLEASE REMIT PAYMENT TO THE ABOVE ADDRESS

FOB : DURANT , OK.

FEDERAL EXCISE TAX

NOT INCLUDED

SUBTOTAL

37,650.00

STATE SALES TAX

LICENSE & REGISTRATION

TITLE FEE/COUNTY ROAD/BRIDGE

TOTAL PRICE

37,650.00

DEPOSIT ON ORDER

CASH ON DELIVERY

37,650.00

AMOUNT FINANCED

TOTAL PRICE

\$ 37,650.00

CUSTOMER ACKNOWLEDGEMENT _____

CUSTOMER SIGNATURE _____