

Contract Number: C-16-289-09-06

Hidalgo County Precinct No.1

**SPECIFICATIONS AND FORMS OF CONTRACT, BOND, AND PROPOSAL
FOR**

Paving and Drainage Improvements for Nittler Road

**RECONSTRUCTION OF ROADWAY AND REGRADE OF ROADSIDE DITCHES
ALONG NITTLER ROAD, FROM FM 493 TO FM 88.
HIDALGO COUNTY, TEXAS**



HIDALGO COUNTY OFFICIALS

Prepared for:



**RAMON GARCIA, COUNTY JUDGE
A.C. CUELLAR JR, COMMISSIONER, PCT 1
EDUARDO CANTU, COMMISSIONER, PCT 2
JOE M. FLORES, COMMISSIONER, PCT 3
JOSEPH PALACIOS, COMMISSIONER, PCT 4**

Prepared by:



TEDSI INFRASTRUCTURE GROUP

Consulting Engineers

1201 East Expressway 83 ♦ Mission, Texas 78572

Tel: (956) 424-7898

Fax: (956) 424-7022

PROJECT ENGINEER: MARK D. CORBITT, P.E.

September 2016

TABLE OF CONTENTS

DESCRIPTION

TABLE OF CONTENTS

NOTICE TO BIDDERS / REQUEST FOR BIDS

BIDDER'S DOCUMENTS:

INSTRUCTION TO BIDDERS

BID PROPOSAL FORM

PROJECT REQUIREMENTS ACKNOWLEDGEMENT

BID BOND FORM

INSURANCE REQUIREMENTS ACKNOWLEDGEMENT

NON-COLLUSION AFFIDAVIT OF PRIME BIDDER

CONFLICT OF INTEREST QUESTIONNAIRE

CONTRACT REQUIREMENTS:

CONTRACT

CONTRACT – PART I: CONTRACT AWARD FORMS AND CERTIFICATIONS

I.1 NON-COLLUSION AFFIDAVIT OF CONTRACTOR

I.2 PERFORMANCE BOND

I.3 PAYMENT BOND

I.4 CONTRACTOR'S CERTIFICATE OF INSURANCE

I.5 SALES TAX AND LOCAL SALES TAX EXEMPTION CERTIFICATE

I.6 AFFIDAVIT AND WAIVER OF LIEN – CONTRACTOR

I.7 RELEASE AND WAIVER OF CLAIMS BY SUBCONTRACTORS AND PRODUCT VENDORS

I.8 CONTRACTOR'S AFFIDAVIT AS TO STATUS OF LIEN

I.9 WAGE RATES (GENERAL DECISION NUMBER: TX160008 01/08/2016)

CONTRACT – PART II: GENERAL CONDITIONS

II.1 STANDARD GENERAL CONDITIONS OF THE CONTRACT

II.2 SUPPLEMENTARY GENERAL CONDITIONS

II.3 GOVERNING SPECIFICATIONS

II.4 GENERAL NOTES

CONTRACT – PART III: CONTRACT DRAWINGS

INVITATION TO BIDDERS

The County of Hidalgo would like to invite you to submit a bid for each of the following projects:

Bid No.:	Bid Description:	Opening Date:
<u>2016-289-08-31-YZV</u>	"Hidalgo County Precinct No. 1 – Paving & Drainage Improvements to: Nittler Road	August 31, 2016
<u>2016-290-08-31-YZV</u>	"Hidalgo County Precinct No. 1 – Paving & Drainage Improvements to: Mile 9 North Road	August 31, 2016

PROCUREMENT PACKETS. Interested contractors may obtain bid packets at project engineer's office: TEDSI Infrastructure Group Inc., at 1201 E. Expressway 83, Mission, Texas 78572 Phone No. (956) 424-7898 for the amount of \$ 100.00 each. General and/or Prime Contractors submitting bids and/or proposals to the County of Hidalgo shall be non-refundable.

The PDF version of bid packets may be obtained via email at **no cost** by emailing your request to the Projected Engineer at the following address: dsolis@tedsi.com

PRE-BID CONFERENCE is scheduled for **MONDAY, AUGUST 22 2016** at **3:00 P.M.** at **HIDALGO COUNTY NEW ADMINISTRATION BUILDING - PURCHASING DEPARTMENT 2812 S Business Hwy 281, EDINBURG, TEXAS 78539**

A BIDDER'S BOND from a reliable surety company licensed to operate in the State of Texas or certified Cashier's Check, payable without recourse to the County of Hidalgo, for the amount of not less than 5% of the total bid shall accompany the bid as guaranty that, if awarded the contract, the bidder will enter into a contract with the County of Hidalgo.

A Payment Bond is required in the amount of one hundred percent (100%) of the Contract Amount, if the awarded contract exceeds \$25,000, and a Performance Bond is required in the amount of one hundred percent (100%) of the Contract Amount, if the awarded contract exceeds \$100,000.

UPON SUBMITTING SEALED BIDS, bidders are required to properly identify (handwritten, typed or printed) sealed envelope and/or packet (SEPARATELY FOR EACH PROJECT) as follows: Bidder's name and address on the upper left hand corner of the sealed envelope and/or package and **Bid Number** on the lower left hand corner of sealed envelope/and or packet. **OVERNIGHT MAIL MUST ALSO BE PROPERLY LABELED ON THE OUTSIDE OF EXPRESS ENVELOPE OR PACKAGE.**

The sealed bid must contain **one (1) original and three (3) copies** of bid and must be clearly identified and addressed for delivery to:

HIDALGO COUNTY PURCHASING DEPARTMENT, Attn: Martha L. Salazar, CPPB, County Purchasing Agent.

HIDALGO COUNTY NEW ADMINISTRATION BUILDING

US Postal Mail/Courier Address: 2812 S. Business Hwy 281, Edinburg, TX 78539

Physical Location: 2802 S. Business Hwy. 281 (Southeast of Canton Rd & Business Hwy 281) Edinburg, TX

BIDS ACCEPTANCE: Sealed bids will be accepted until 9:30 a.m. on Wednesday, August 31, 2016 at which time they will be opened in the Hidalgo County Purchasing Department Conference Room at **Physical Location: 2802 S. Business Hwy 281, Hidalgo County New Administration Building, Edinburg, Texas 78539**. **NO FACSIMILES OR LATE ARRIVALS WILL BE ACCEPTED. ANY BID RECEIVED AFTER THAT TIME WILL NOT BE OPENED AND WILL BE RETURNED**

Attention is called to the fact that not less than, the federally determined prevailing (**Davis-Bacon and Related Acts**) wage rate, as issued and contained in the contract documents, must be paid on this project. In addition, the successful bidder must ensure that employees and applicants for employment are not discriminated against because of race, color, religion, sex, age, disability or national origin.

BIDS MAY BE HELD by the County of Hidalgo for a period not to exceed sixty (60) days from the date of the opening of bids for the purpose of reviewing the bids and investigating the qualifications of bidders, prior to awarding of the contract.

THE COUNTY reserves the right to refuse and reject any/all bids and to waive any/all formalities or technicalities, or to accept the bids considered the best and most advantageous to the County.

Typed-written Requests For Information (RFI) shall be sent to Engineer. Please follow with a call to confirm receipt of RFI. RFI's will not be answered by phone. **NO HAND WRITTEN RFI'S** will be answered. All inquiries shall be forwarded by August 23, 2016. Inquiries beyond this date will not be responded. Contact project engineer for copies of Addenda.

BY ORDER OF THE COMMISSIONERS COURT OF HIDALGO COUNTY, TEXAS on this the 09th of August, 2016.

MARTHA L. SALAZAR, CPPB
HIDALGO COUNTY PURCHASING AGENT

REPORT ROAD HAZARDS @ 1-866-HCR-SAFE OR 1-866-427-7233

Bidders Documents

INSTRUCTIONS TO BIDDERS

LEGAL NOTICE

BID NO.: 2016-289-08-31-YZV

1. Sealed bids will be received for **HIDALGO COUNTY PRECINCT No. 1 "PAVING AND DRAINAGE IMPROVEMENTS FOR NITTLER ROAD"** in accordance with the specifications attached as Exhibit "A" hereto. Bids should address all specifications set forth. Bidders may suggest substitutions of features which they feel would be in the best interest of Hidalgo County ("County"). Strong rationale must be presented for any deviation from the specifications. Hidalgo County reserves the right to reject the deviation and its effect on the overall bid.
2. **One (1) original and Three (3) copies** of all bids are required with the bidders name and return address clearly typed and or/printed on upper left hand corner and the proper notation clearly typed/printed on the lower left hand corner of the envelope and/or package: **BID NO.: 2016-289-08-31-YZV HIDALGO COUNTY PRECINCT No. 1 "PAVING AND DRAINAGE IMPROVEMENTS FOR NITTLER ROAD"** and at County's Purchasing Department with a physical address: 2802 S. Business 281 and a mailing address: 2812 S. Business Hwy 281, New Administration Building, Edinburg, Texas, **on or before 3:00 P.M., WEDNESDAY, AUGUST 31, 2016. NO FACSIMILES OR LATE ARRIVALS WILL BE ACCEPTED. ANY RFB RECEIVED AFTER THAT TIME WILL NOT BE OPENED AND WILL BE RETURNED. OVERNIGHT MAIL MUST ALSO BE PROPERLY LABELED ON THE OUTSIDE OF EXPRESS ENVELOPE OR PACKAGE WITH REFERENCE TO - HIDALGO COUNTY PRECINCT No. 1 "PAVING AND DRAINAGE IMPROVEMENTS FOR NITTLER ROAD" -RFB NO.: 2016-289-08-31-YZV-** Hidalgo County reserves the right to refuse and reject any/all bids and to waive any/all formalities or technicalities, or to accept the bids considered the best and most advantageous to Hidalgo County.
3. Hidalgo County reserves the right to: A. separate and accept, or eliminate any item(s) listed under this bid that it deems necessary to accommodate budgetary and/or operational requirements; B. reject any or all bids submitted and further reserves the right to design the evaluation criteria to be used in selecting the lowest and best bid for approval; and C. award the bid to one bidder or to multiple bidders if the County determines it is in its best interest to do so."
4. The Bidder shall not substitute items named in the bid without the express written consent of Hidalgo County. Failure of the delivered item to perform as specified or failure to meet the stated delivery schedule shall release Hidalgo County from all obligations to the contracting party with regard to the item(s) in question. In such event, County may elect to award the contract to the next-lowest responsible bidder, or to reject all bids and re-advertise.
5. For work to be performed at a County owned or operated location, each bidder shall, in its sole discretion, visit the job site before preparing the bid and thoroughly familiarize himself/herself with existing conditions. Bidder should take field dimensions and note all circumstances which affect the dollar amount of the bid.
6. Descriptive specifications are referenced in this document to indicate the general kind and quality of equipment desired by Hidalgo County. Due to various styles and models of equipment, bidders are required to include illustrations, specifications, explanation of warranties, and service data with their bid including catalogue numbers and any necessary references.
7. No bid may be withdrawn within thirty (30) days from the scheduled time to open bids.
8. Proposed prices are to remain firm for a minimum of ninety (90) days after bid opening.

9. Any interpretations, amendments, corrections or changes to this bid document must be in a written addendum and signed by the County Judge or his designee. Addenda will be mailed to all who are known to have received a copy of the Request for Bids. Bidders shall acknowledge receipt of all addenda as a part of their bid.
10. County reserves the right to accept or reject any or all Bids.
11. Costs are to be net F.O.B., County Prepaid.
12. County is exempt from Federal Excise Tax, State Tax and Local Tax. Do Not include tax in cost figure. If it is determined that tax was included in the cost figures it will not be included in the tabulation of any awards. Tax exemption certificates will be furnished upon request.
13. Funds for this procurement have been provided through the County budget for this fiscal year only. County, on an annual basis, has the right to reconsider a contract during the budget process for ensuing years if financial resources of County are insufficient to meet the liabilities of said contract. The award of a bid or contract hereunder will not be construed to create a debt of the County which is payable out of funds beyond the current fiscal year.
14. Upon award and prior to execution of a contract, Sole Proprietorships are required to submit a copy of their social security cards to the Hidalgo County Auditor's Office in order to establish an account with the County. All awarded vendors must submit a completed W-9 and a copy of their Federal ID Number Certificate.
15. DELIVERY OF GOODS AND SERVICES INSTRUCTIONS (when applicable):
 - . No deliveries accepted after 3:00 P.M., Monday-Friday.
 - . At least seventy two (72) hours prior notice of delivery must be given to Martha L. Salazar, Purchasing Agent before delivery will be accepted.
 - . If you need additional information call the office listed below:

Hidalgo County Purchasing Department
Martha L. Salazar, Purchasing Agent
(956) 318-2626
16. BILLING AND PAYMENT INSTRUCTIONS:
 - . Invoices must include:
 - a) Name and address of successful bidder
 - b) Name and address of receiving department or official
 - c) Purchase Order Number (if any)
 - d) Notation - **Hidalgo County Precinct No.1 Paving and Drainage Improvements for Nittler Raod" -RFB NO.: 2016-289-08-31-YZV**
Descriptive information as to the items or services delivered, including product code, item number, quantity, etc.
 - e) Contract number must be indicated on all invoices
 - . Discount payments will be considered when offered.

another person, entity or organization, a gratuity or an offer of employment in connection with any decision, approval, disapproval, recommendation, preparation or any part of a program requirement or purchase request, influencing the content of any specification or procurement standard, rendering of advice, investigation, auditing, or in any other advisory capacity in any proceeding or application, request for ruling, determination, claim or controversy, or other particular matter pertaining to any program requirement or a contract or subcontract, or to any solicitation or proposal therefore pending before any department or agency of the County.

. It shall be a breach of ethics for any payment, gratuity or offer of employment to be made by or on behalf of a subcontractor under a contract to the prime contractor or higher tier subcontractor for any contract for the County, or any person associated therewith, as an inducement for the award of a subcontract or order.

. No public official shall have an interest in a contract awarded hereunder except in accordance with Tex. Loc. Govt. Code Chapter 171.

NOTICE:

ALL COMMUNICATIONS BY A VENDOR TO THE COUNTY, ITS OFFICIALS, AND DEPARTMENT HEADS REGARDING THIS PROCUREMENT SHALL BE DONE THROUGH THE HIDALGO COUNTY PURCHASING DEPARTMENT.

20. Disclosure of Conflict of Interest

. Effective January 1, 2016, Chapter 176 of the Texas Local Government Code requires that any vendor, person, consultant or contractor considering doing business with Hidalgo County ("the County") to disclose in the Conflict of Interest Questionnaire (the "CIQ") attached as Exhibit D-1, the vendor, person, consultant or contractor's affiliation or business relationship that might cause a conflict of interest with the County. By law, the CIQ must be filed with the Hidalgo County Clerk's Office no later than the seventh business day after the date the person becomes aware of facts that require that statement to be filed. The disclosure requirement applies to a person or business who contracts or seeks to contract with Hidalgo County for the sale or purchase of property, goods or service. Any purchase order or contract resulting from this process shall be considered null and void if the successful bidder fails to comply with Texas Local Government Code Chapter 176. Vendors, consultants, contractors and others who desire to conduct business with Hidalgo County are encouraged to refer to Texas Local Government Code Chapter 176 for the details of this law. An offense under Texas Local Government Code Chapter 176 is a Class C Misdemeanor. **Completed Form CIQ must be submitted to the Hidalgo County Clerk's Office located at 100 N. Closner, Edinburg, Texas 78539 - Hidalgo County Courthouse.**

COMPLETION AND SUBMISSION OF FORM CIQ IS THE SOLE RESPONSIBILITY OF THE PROSPECTIVE RESPONDENT. QUESTIONS REGARDING COMPLIANCE SHOULD BE DIRECTED TO YOUR LEGAL COUNSEL.

21. **CERTIFICATE OF INTERESTED PARTIES (FORM HB1295)**

As of January 1, 2016, to comply with Texas Government Code Section §2252.908, and the rules issued by the Texas Ethics Commission found in Title 1, Section 46.1, 46.3 and 46.5 of the Texas Administrative Code, we have updated and revised our RFB packet. In accordance with these requirements, business must submit a completed Certificate of Interested Parties Form 1295 to the County **before** the County may enter into a contract with the business entity. In box 3 of Form 1295, you will provide the RFB Project No. **(2016-289)**, as shown on the packet. Once completed and filed with the Texas Ethics Commission, Form 1295 must be printed and signed in the

presence of a notary and submitted to our office via email to: yolanda.velasquez@co.hidalgo.tx.us
Hidalgo County cannot enter into a contract until Form 1295 is submitted. Therefore, failure to timely submit Form 1295 signed and notarized may result in delay of award. Full instructions for completion and submittal of Form 1295 may be found on the Texas Ethics Commission website:

<https://www.ethics.state.tx.us/tec/1295-Info.htm>

THE AWARDED VENDOR WILL HAVE THIRTY (30) DAYS TO SUBMIT THE SIGNED NOTARIZED FORM 1295. HIDALGO COUNTY CANNOT ENTER INTO A CONTRACT UNTIL FORM 1295 IS SUBMITTED.

FORM CIS (LOCAL GOVERNMENT OFFICER CONFLICTS DISCLOSURE STATEMENT will be included in packet as Exhibit "D-2".

FORM CIS IS THE SOLE RESPONSIBILITY OF THE COUNTY. (FORM IS INCLUDED FOR INFORMATION PURPOSE ONLY)- SHOULD YOU HAVE ANY QUESTIONS REGARDING HB23, (FORM CIS) PLEASE DIRECTED YOURSELF AND/OR CONSULT WITH YOUR LEGAL COUNSEL.

22. If, during the life of any contract or bid awarded, the successful bidder's net prices generally available to other customers for items awarded herein are reduced below the contracted price, it is understood and agreed that the benefits of such reduction shall be extended to the County.
23. Bids, and all goods and services provided hereunder, shall comply with all federal, state and local laws concerning this type(s) of goods and/or services.
24. Minimum Standards for Responsible Prospective Bidders: A prospective bidder must affirmatively demonstrate bidder's responsibility. A prospective bidder, by submitting a bid, represents to County that it meets the following requirements:
 - . Possess or is able to obtain adequate financial resources as required to perform under the bid;
 - . Be able to comply with the required or proposed delivery schedule;
 - . Have a satisfactory record of performance;
 - . Have a satisfactory record of integrity and ethics;
 - . Be otherwise qualified and eligible to receive an award.
25. Successful bidder will pay or cause to be paid, without cost or expenses to County, all FICA, FUTA/SUTA and Federal Income Withholding Taxes of all employees, and all wages and benefits as required by Federal or State law. Successful bidder's officers, agents and/or employees will not be entitled to any benefits of an employee or elected official of County, including, but not limited to, benefits associated with County's civil service system.
26. Any contract award to a successful bidder will be in effect until (a) the contract expires, (b) delivery and acceptance of products, and/or performance of services ordered, or (c) terminated by County with thirty day's written notice prior to cancellation.
27. County reserves the right to enforce performance of any contract awarded hereunder in any manner prescribed by law or deemed to be in the best interest of the County in the event of breach or default by successful bidder; County reserves the right to terminate any contract immediately in the event a successful bidder fails to:
 - A. Meet schedules;

- B. Pay any required fees or taxes; or
- C. Otherwise perform in accordance with the specifications.

28. Successful bidder shall defend, indemnify and save harmless County and all its elected officials, officers, agents and employees from all suits, actions, or other claims of any character, name and description brought for or on account of any injuries or damages received or sustained by any person, persons, or property on account of any negligent act or fault of the successful bidder, or of any agent, employee, subcontractor or supplier of successful bidder in the execution of, or performance under, any contract which may result from bid award or which arises from any event or casualty happening on or within County premises themselves or happening upon or in any halls, elevators, entrances, stairways or approaches of or to such County facilities. Successful bidder shall pay any judgment with costs which may be obtained against County growing out of such injury or damages, and shall, upon request, provide a defense to County by counsel reasonably acceptable to County. Successful bidder's indemnity hereunder shall include, but is not limited to, claims relating to patent, copyright or trademark infringement, and the like, arising out of the goods and services provided by successful bidder.
29. Successful bidder shall warrant that all items/services shall conform with the specifications and/or all warranties provided under the Uniform Commercial Code and be free from all defects in material, workmanship and the like. Items supplied under a contract pursuant to this Request for Bids shall be subject to County's approval. Items found to be defective or not meeting specifications shall be replaced by successful bidder within two business days at no expense to County. Items not picked up within one (1) week after notification shall be deemed a donation to County and may be used or disposed of at County's discretion and without waiver of any other rights of County as to the item's nonconformity.
30. This document and any disputes arising hereunder shall be governed and construed according to the laws of the State of Texas, and will be performable exclusively in Hidalgo County, Texas.
31. The successful bidder shall not assign, sell, transfer or convey its rights under any awarded contract, in whole or in part, without the prior written consent of County.
32. Respondents must provide all documentation requested with this Request for Bid (RFB), in their response (except for the CIQ form if NON APPLICABLE). Failure to provide this information may result in rejection of the RFB as nonconforming.

Paving and Drainage Improvements for Nittler Road
Hidalgo County Precinct No. 1
Bid Number: 2016-289-08-31-YZV

BID PROPOSAL

Hidalgo County Purchasing Department
ATTENTION: Martha Salazar
2802 S. Business Hwy 281
Edinburg, Texas 78539

Dear Ms. Salazar:

The undersigned Bidder, pursuant to the foregoing Notice and Instructions to Bidders for **Bid Number: 2016-289-08-31-YZV - Paving and Drainage Improvements for Nittler Road** located in Hidalgo County, together with all appurtenances (hereinafter called "Project"), having examined the Drawings and Specifications and related Contract Documents and the site of the proposed work, and being familiar with all the conditions surrounding construction of the proposed Project, including the availability of labor and materials, will construct the Project in accordance with the Contract Documents and addenda thereto, within the time set forth therein, for the prices and Bid stated under Item A on the following pages of this Bid Proposal. The prices and/or amounts shown are to cover all costs, including profit and overhead, incurred in performing the work required under the Contract Documents, of which this Bid is a part. (Note: It is understood that those bid items identified shall be considered as pay items, all other work shall be incidental to the various bid items. It is also noted that estimated quantities are provided for information only.)

The undersigned Bidder further acknowledges that the price includes acknowledgement and understanding of all receipt of all Addenda as identified under Item B on the following pages of this Bid Proposal.

The undersigned Bidder agrees to commence work within ten (10) working days of written notice to commence work and to substantially complete the work on which he has bid 90 calendar days. The Contractor further agrees to pay, as liquidated damages, the sum of \$500.00 for each consecutive calendar day thereafter as hereinafter provided in the Construction Contract.

Enclosed with this Proposal is a Cashier's Check or Certified Check for:

_____ Dollars (_____);

or a Bid Bond in the sum of:

5% GAB Dollars (5% GAB); which is agreed either shall be collected and retained by the Owner under the conditions hereof within ten (10) days after the date this proposal is accepted; then otherwise the said bond or check shall be returned to the undersigned upon demand.

Respectfully submitted.

BIDDER: IOB Company LLC

Corporate Seal (if applicable):

Principal Signature: _____ Date: 08-31-16

Name / Title: Oscar Cuellar / Managing Member

Address: 9312 E Curve Rd Edinburg TX 78542
(Street, City, State, Zip)

Telephone: 956-380-2897

Signature: _____ Date: 08-31-16

Witness to Principal
Printed Name / Title: Nicola Iuvone / Estimator

A. BID

Withessed

9:46 8-31-16
 OPENED

BASE BID - NITTLER ROAD

SPEC NO.	DESCRIPTION	QTY	UNIT	UNIT PRICE (in figures)	UNIT TOTAL (in figures)
0110	EXCAVATION (ROADWAY)	13,051	CY	\$ 4.25	\$ 55,466.75
0132	EMBANKMENT (FINAL) (DENS CONT) (TY C)	525	CY	\$ 4.25	\$ 2,231.25
0247	FLBS (RDWY DEL)(TY E GR 4)(FINAL POS)	9,557	CY	\$ 23.90	\$ 228,412.30
0260	LIME TRT (NEW BASE)(6")	57,342	SY	\$ 1.60	\$ 91,747.20
0260	LIME TRT (EXIST MATL)(2")	57,342	SY	\$ 1.40	\$ 80,278.80
0260	LIME (HYD, COM, OR QK(SLURRY))	323	TON	\$ 170.00	\$ 54,910.00
0310	PRIME COAT (MC-30)	9,831	GAL	\$ 4.25	\$ 41,781.75
0341	D-GR HMA TY-D SAC-A PG64-22	5,604	TON	\$ 73.25	\$ 410,493.00
0666	RE PM W/RET REQ TY I (Y)4(BRK)(100MIL)	4,620	LF	\$ 1.00	\$ 4,620.00
0760	DITCH CLEANING AND RESHAPING	36,650	LF	\$ 2.60	\$ 95,290.00
5001	GEOGRID BASE REINFORCEMENT (TY I)	57,342	SY	\$ 1.30	\$ 74,544.60
7000	STORMWATER POLLUTION PREVENTION PLAN *	1	LS	\$ 5,000.00	\$ 5,000.00
8000	TRAFFIC CONTROL PLAN **	1	LS	\$ 23,000.00	\$ 23,000.00
				BASE BID TOTAL (in figures)	\$ 1,167,775.65

In words: one million one hundred sixty seven thousand seven hundred and seventy five dollars with sixty five cents.

In case of DISCREPANCIES, Unit Price RULES OVER Unit Total and Total Amounts.

* THE CONTRACTOR SHALL PROVIDE AN SW3P PLAN IN ACCORDANCE WITH ITEM 7000

** THE CONTRACTOR SHALL PROVIDE A TRAFFIC CONTROL PLAN IN ACCORDANCE WITH ITEM 8000

PROJECT REQUIREMENTS ACKNOWLEDGEMENT

This is to certify that I, Oscar Cuellar, as Principal of IOC Company LLC possess all of the following applicable and necessary requirements and required documents to perform and provide the Work associated with the Project: **Bid Number: 2016-289-08-31-YZV - Paving and Drainage Improvements for Nittler Road.**

(1) Licenses:

(2) Bonds:

- Bid Bond
- Performance Bond
- Payment Bond

(3) Certificates:

- Certificates of Insurance or Insurance Requirements Acknowledgement

(4) Affidavits:

- Non-Collusion Affidavit Of Prime Bidder
- Sales Tax and Local Sales Tax Exemption Certificate

(5) Permits:

(6) Conflict of Interest Questionnaire

Furthermore, I am providing copies of the required documentation so that, if my company is awarded this bid, I may be eligible to enter into a Contract with Hidalgo County and proceed to complete the project in a timely manner, and within the Contract Time identified in the Contract. I understand that any licenses, bonds, certificates, permits or other requirements must be presented as part of my Bid package in order to expedite the bid evaluation process, and that failure to provide said documentation will result in the disqualification of my Bid.

BIDDER: IOC COMPANY, L.L.C.

Principal Signature: [Signature] Date: 08/31/16

Name / Title: Managing Member

Address: 9312 E Curve Rd. Edinburg TX 78542
(Street, City, State, Zip)

THE AMERICAN INSTITUTE OF ARCHITECTS



AIA Document A310

Bid Bond

KNOW ALL MEN BY THESE PRESENTS, that we

IOC Company, LLC

9312 E. Curve Street, Edinburg, TX 78542

as Principal, hereinafter called Principal, and

Allied World Insurance Company

199 Water Street, New York, NY 10038

a corporation duly organized under the laws of the State of NH

as Surety, hereinafter called Surety, are held and firmly bound unto

Hidalgo County Purchasing Department

as Oblige, hereinafter called Oblige, in the sum of **Five Percent of the Greatest Amount Bid 5% G.A.B.**

Dollars (\$-----),

for the payment of which sum well and truly to be made, the said Principal and the said Surety, bind ourselves, our heirs, executors, administrators, successors and assigns, jointly and severally, firmly by these presents.

WHEREAS, the Principal has submitted a bid for _____ (Here insert full name, address and description of project)

Paving and Drainage Improvements for Nittler Road

NOW, THEREFORE, if the Oblige shall accept the bid of the Principal and the Principal shall enter into a Contract with the Oblige in accordance with the terms of such bid, and give such bond or bonds as may be specified in the bidding or Contract Documents with good and sufficient surety for the faithful performance of such Contract and for the prompt payment of labor and material furnished in the prosecution thereof, or in the event of the failure of the Principal to enter such Contract and give such bond or bonds, if the Principal shall pay to the Oblige the difference not to exceed the penalty hereof between the amount specified in said bid and such larger amount for which the Oblige may in good faith contract with another party to perform the Work covered by said bid, then this obligation shall be null and void, otherwise to remain in full force and effect.

Signed and sealed this 31st day of August, 2016.

(Witness)

IOC Company, LLC

(Principal)

(Seal)

(Title)

Allied World Insurance Company

(Surety)

(Seal)

(Title)

Brock Baldwin, Attorney in Fact

Sondra Grider

(Witness)

Sondra Grider

IMPORTANT NOTICE

TO OBTAIN INFORMATION OR TO MAKE A COMPLAINT

You may contact the Texas Department of Insurance to obtain information on companies, coverages, rights or complaints at

1-800-252-3439

You may write the Texas Department of Insurance:

**P.O. Box 149104
Austin, Texas 78714-9104
Fax No. (512) 475-1771**

PREMIUM or CLAIM DISPUTES

Should you have a dispute concerning your premium or about a claim, you should contact the company first. If the dispute is not resolved, you may contact the Texas Department of Insurance.

ATTACH THIS NOTICE TO YOUR POLICY

This notice is for information only and does not become a part or condition of the attached document.

Notice of Applicability of Chapter 2253 of the Texas Government Code

These bonds are furnished in an attempt to comply with Chapter 2253 of the Texas Government Code. These bonds shall be construed to comply with such Chapter regarding the rights created, limitations on those rights, and remedies provided. Any provision in the bonds to which this Rider is attached that expands or restricts a right or liability under such Chapter shall be disregarded, and such Chapter shall apply to these bonds.



Allied World Surety

Division of Allied World Insurance Company
30 S. 17th St., Suite 810
Philadelphia, PA 19103

POWER OF ATTORNEY

Issue Date: June 9, 2016

No. 27949-A1309

Single Transaction Limit: \$10,000,000

KNOW ALL MEN BY THESE PRESENTS:

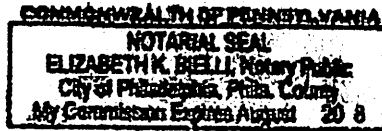
Allied World Insurance Company, a New Hampshire corporation (the "Company") does hereby appoint

NAME(s):	<u>Brady K. Cox</u>	<u>Darrell Blaine Allen William D. Baldwin</u>
	<u>Brock Baldwin</u>	<u>Brent Baldwin</u>
FIRM:	<u>Baldwin-Cox Agency, LLC 5930 Preston View Boulevard #200 Dallas, TX 75240</u>	

Its true and lawful Attorney(s)-in-Fact, with full authority to execute on its behalf bonds, undertakings, recognizances and other contracts of indemnity and writings obligatory in the nature thereof, issued in the course of its business, and to bind the Company thereby. This Power of Attorney shall remain in full force and effect for one year from the issued date above-referenced and shall expire on close of business of the first anniversary of such Issue Date.

IN WITNESS WHEREOF, ALLIED WORLD INSURANCE COMPANY has caused these presents to be executed by the officer named below, who is duly authorized and empowered to execute on the Company's behalf.

This 9th day of June, 2016



Title: Senior Vice President - Surety

State of Pennsylvania)
County of Philadelphia)ss.

On this 9th day of June, 2016, before me came the above-named officer of ALLIED WORLD INSURANCE COMPANY, to me personally known to be the individual and officer described herein, and acknowledged that he executed the foregoing instrument and affixed the seals of said corporation thereto by authority of his office.

Notary

My Commission Expires: 08/05/2018

CERTIFICATE

Excerpt of Resolution adopted by the Board of Directors of the ALLIED WORLD INSURANCE COMPANY (the "Corporation"), on December 31, 2012

RESOLVED, that the proper officers of the Corporation, the head of the surety business line for the Corporation and their appointed designees (each an "Authorized Officer" and collectively, the "Authorized Officers") be, and each hereby is, authorized to appoint one or more Attorneys-in-Fact to represent and act for and on behalf of the Corporation in the transaction of the Company's surety business to execute (under the common seal of the Corporation, if appropriate) bonds, undertakings, recognizances and other contracts of indemnity and writings obligatory in the nature thereof.

RESOLVED, that in connection with the Corporation's transaction of surety business, the signatures and attestations of the Authorized Officers and the seal of the Corporation may be affixed to any such Power of Attorney or to any certificate relating thereto by facsimile, and any such Power of Attorney or certificate bearing such facsimile signatures or facsimile seal shall be valid and binding upon the Corporation when so affixed with respect to any bond, undertaking, recognizance or other contract of indemnity or writing obligatory in the nature thereof.

RESOLVED, that in connection with the Corporation's transaction of surety business, the facsimile or mechanically reproduced signature of any Authorized Officer, whether made heretofore or hereafter, wherever appearing upon copy of any Power of Attorney of the Corporation, with signatures affixed as next above noted, shall be valid and binding upon the Corporation with the same force and effect as though manually affixed.

RESOLVED, that in connection with the Corporation's transaction of surety business, any such Attorney-in-Fact delivering a secretarial or other certification that the foregoing resolutions still be in effect may insert in such certification the date thereof, said date to be not later than the date of delivery thereof by such Attorney-in-Fact.

RESOLVED, that the Authorized Officers be, and each hereby is, authorized to execute (under the common seal of the Corporation, if appropriate), make, file and deliver in the name and on behalf of the Corporation any and all consents, certificates, agreements, amendments, supplements, instruments and other documents whatsoever, and do any and all other things whatsoever in connection with the Corporation's transaction of surety business, as such Authorized Officer shall in his or her absolute discretion deem or determine appropriate and any of the foregoing resolutions, the transactions contemplated thereby and any ancillary matters thereto and/or to carry out the purposes and intent thereof, such deeming or determination to be conclusively evidenced by any such execution or the taking of any such action by such Authorized Officer.

I, Daniel Zharkovsky, Secretary of the ALLIED WORLD INSURANCE COMPANY, do hereby certify that the foregoing excerpts of Resolution adopted by the Board of Directors of this corporation, and the Power of Attorney issued pursuant thereto, are true and correct, and that both the Resolution and the Power of Attorney are in full force and effect.

IN WITNESS WHEREOF, I have hereunto set my hand and affixed the facsimile seal of the corporation, this 31st day of August, 2016

Daniel Zharkovsky, AVP, Assistant General Counsel

INSURANCE REQUIREMENTS ACKNOWLEDGEMENT

I, Oscar Cuellar, authorized representative for IOC COMPANY LLC, hereby acknowledge Hidalgo County's insurance requirements, and will meet said requirements by checking one of the following:

- Said insurance requirements will be acquired upon notification of intent to award bid at the next regularly scheduled Hidalgo County Commissioner's Court meeting; (*an insurance certificate for the required insurance limits shall be provided to the Hidalgo County Purchasing Department by no later 9:30 am.. the morning of the Commissioner's Court meeting, in order to qualify for award of bid and to execute a contract between our Company and Hidalgo County);
- We currently carry the following:

Automobile Liability \$ 1,000,000 General Liability: \$ 1,000,000

And, to meet Hidalgo County's insurance requirements, will acquire any additional amount needed to meet the Hidalgo County's requirements upon notification of intent to award bid at the next scheduled Hidalgo County Commissioner's Court meeting(*an insurance certificate for the required insurance limits shall be provided to the Hidalgo County Purchasing Department by no later 9:30 am., the morning of the Commissioner's Court meeting, in order to qualify for award of bid and to execute a contract between our Company and Hidalgo County);

- We already meet said insurance requirements, and have attached a copy of the certificate of insurance.

Further, it is understood that failure to provide Certificates of Insurance at the Hidalgo County Commissioner's Court meeting will cause the bid award to be rescinded and then awarded to next lowest bidder. Certificates of insurance will be monitored / verified on a **quarterly** basis to ensure coverage policy is in place.

BIDDER: IOC COMPANY LLC

Signature: [Signature] Date: 08/31/16

Name / Title: Oscar Cuellar / Managing Member

Address: 9312 E Curve Rd Edinburg TX 78542
(Street, City, State, Zip)



CERTIFICATE OF LIABILITY INSURANCE

DATE (MM/DD/YYYY)
9/20/2016

THIS CERTIFICATE IS ISSUED AS A MATTER OF INFORMATION ONLY AND CONFERS NO RIGHTS UPON THE CERTIFICATE HOLDER. THIS CERTIFICATE DOES NOT AFFIRMATIVELY OR NEGATIVELY AMEND, EXTEND OR ALTER THE COVERAGE AFFORDED BY THE POLICIES BELOW. THIS CERTIFICATE OF INSURANCE DOES NOT CONSTITUTE A CONTRACT BETWEEN THE ISSUING INSURER(S), AUTHORIZED REPRESENTATIVE OR PRODUCER, AND THE CERTIFICATE HOLDER.

IMPORTANT: If the certificate holder is an **ADDITIONAL INSURED**, the policy(ies) must be endorsed. If **SUBROGATION IS WAIVED**, subject to the terms and conditions of the policy, certain policies may require an endorsement. A statement on this certificate does not confer rights to the certificate holder in lieu of such endorsement(s).

PRODUCER BancorpSouth Insurance Services, Inc. GEM Insurance 3355 West Alabama Suite 850 Houston TX 77098	CONTACT NAME: Stephanie Dexter PHONE (A/C No, Ext): 713-622-2330 E-MAIL ADDRESS: stephanie.dexter@bxsi.com	FAX (A/C No): 713-622-2053
	INSURER(S) AFFORDING COVERAGE	
INSURED IOCCOMP-01 IOC Company, LLC; IOC Trucking, LLC; Terra Firma Materials, LLC PO Box 4737 Edinburg TX 78540	INSURER A: Phoenix Insurance Company	NAIC # 25623
	INSURER B: Charter Oak Fire Insurance Company	25615
	INSURER c: Great American Insurance Co.	16691
	INSURER D: Travelers Casualty and Surety Compa	19038
	INSURER E:	
	INSURER F:	

COVERAGES **CERTIFICATE NUMBER: 137250944** **REVISION NUMBER:**

THIS IS TO CERTIFY THAT THE POLICIES OF INSURANCE LISTED BELOW HAVE BEEN ISSUED TO THE INSURED NAMED ABOVE FOR THE POLICY PERIOD INDICATED. NOTWITHSTANDING ANY REQUIREMENT, TERM OR CONDITION OF ANY CONTRACT OR OTHER DOCUMENT WITH RESPECT TO WHICH THIS CERTIFICATE MAY BE ISSUED OR MAY PERTAIN, THE INSURANCE AFFORDED BY THE POLICIES DESCRIBED HEREIN IS SUBJECT TO ALL THE TERMS, EXCLUSIONS AND CONDITIONS OF SUCH POLICIES. LIMITS SHOWN MAY HAVE BEEN REDUCED BY PAID CLAIMS.

INSR LTR	TYPE OF INSURANCE	ADDL INSD	SUBR WVD	POLICY NUMBER	POLICY EFF (MM/DD/YYYY)	POLICY EXP (MM/DD/YYYY)	LIMITS
B	<input checked="" type="checkbox"/> COMMERCIAL GENERAL LIABILITY <input type="checkbox"/> CLAIMS-MADE <input checked="" type="checkbox"/> OCCUR GEN'L AGGREGATE LIMIT APPLIES PER: <input type="checkbox"/> POLICY <input checked="" type="checkbox"/> PROJECT <input type="checkbox"/> LOC OTHER:			CO2G27413A	9/7/2016	9/7/2017	EACH OCCURRENCE \$1,000,000 DAMAGE TO RENTED PREMISES (Ea occurrence) \$300,000 MED EXP (Any one person) \$5,000 PERSONAL & ADV INJURY \$1,000,000 GENERAL AGGREGATE \$2,000,000 PRODUCTS - COMP/OP AGG \$2,000,000 \$
A	AUTOMOBILE LIABILITY <input checked="" type="checkbox"/> ANY AUTO <input type="checkbox"/> ALL OWNED AUTOS <input type="checkbox"/> SCHEDULED AUTOS <input checked="" type="checkbox"/> HIRED AUTOS <input checked="" type="checkbox"/> NON-OWNED AUTOS <input checked="" type="checkbox"/> MCS-90			BA2G289781	9/7/2016	9/7/2017	COMBINED SINGLE LIMIT (Ea accident) \$1,000,000 BODILY INJURY (Per person) \$ BODILY INJURY (Per accident) \$ PROPERTY DAMAGE (Per accident) \$ \$
C	<input checked="" type="checkbox"/> UMBRELLA LIAB <input checked="" type="checkbox"/> OCCUR <input type="checkbox"/> EXCESS LIAB <input type="checkbox"/> CLAIMS-MADE DED <input checked="" type="checkbox"/> RETENTION \$ 10,000			TJU481609002	9/7/2016	9/7/2017	EACH OCCURRENCE \$5,000,000 AGGREGATE \$5,000,000 \$
D	WORKERS COMPENSATION AND EMPLOYERS' LIABILITY ANY PROPRIETOR/PARTNER/EXECUTIVE OFFICER/MEMBER EXCLUDED? (Mandatory in NH) If yes, describe under DESCRIPTION OF OPERATIONS below	Y/N	N/A	UB2G321109	9/7/2016	9/7/2017	<input checked="" type="checkbox"/> PER STATUTE <input type="checkbox"/> OTH-ER E.L. EACH ACCIDENT \$1,000,000 E.L. DISEASE - EA EMPLOYEE \$1,000,000 E.L. DISEASE - POLICY LIMIT \$1,000,000

DESCRIPTION OF OPERATIONS / LOCATIONS / VEHICLES (ACORD 101, Additional Remarks Schedule, may be attached if more space is required)

*
*
*
*
*
*
See Attached...

CERTIFICATE HOLDER **CANCELLATION**

Hidalgo County 2812 S. Business Highway 281 Edinburg TX 78539	SHOULD ANY OF THE ABOVE DESCRIBED POLICIES BE CANCELLED BEFORE THE EXPIRATION DATE THEREOF, NOTICE WILL BE DELIVERED IN ACCORDANCE WITH THE POLICY PROVISIONS. AUTHORIZED REPRESENTATIVE <i>Earl G. Schneider</i>
---	---



ADDITIONAL REMARKS SCHEDULE

AGENCY BancorpSouth Insurance Services, Inc.		NAMED INSURED IOC Company, LLC; IOC Trucking, LLC; Terra Firma Materials, LLC PO Box 4737 Edinburg TX 78540	
POLICY NUMBER		EFFECTIVE DATE:	
CARRIER	NAIC CODE		

ADDITIONAL REMARKS

THIS ADDITIONAL REMARKS FORM IS A SCHEDULE TO ACORD FORM,

FORM NUMBER: 25 FORM TITLE: CERTIFICATE OF LIABILITY INSURANCE

*
 The General Liability and Auto policies include a blanket additional insured provision which includes primary and non-contributory wording on the basis which provides additional insured status to the certificate holder only when there is a written contract between the named insured and the additional insured that requires such status subject to policy terms, conditions and exclusions.

The General Liability, Auto, and Workers Compensation policies include a blanket waiver of subrogation endorsement and a blanket 30-day notice of cancellation endorsement that provides these features only when there is a written contract between the named insured and the certificate holder that requires it.

The Umbrella policy is follow form.

Workers Compensation Excluded Officers: Ismelda Cuellar; Oscar Cuellar; Nancy Cuellar-Davenport
 Workers Compensation includes USL&H

Project Name: Hidalgo County Precinct No. 1 Paving and Drainage Improvements for Nittler Road
 Contract #C-16-289-09-06

NON-COLLUSION AFFIDAVIT OF PRIME BIDDER

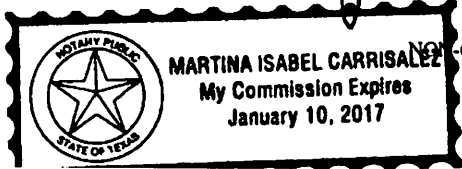
The State of Texas §
 §
County of Hidalgo §

Oscar Cuellar being first duly sworn, deposes and says that

- (1) He is Managing Member of IOC COMPANY LLC
the Bidder that has submitted the attached bid;
- (2) He is fully informed respecting the preparation and contents of the attached Bid and of all pertinent circumstances respecting such bid;
- (3) Such bid is genuine and is not a collusive or sham Bid;
- (4) Neither the said Bidder nor any of its officers, partners, owners, agents, representatives, employees, or parties in interest, including this affiant, has in any way colluded, conspired, connived or agreed, directly or indirectly with any other Bidder, firm or person to submit a collusive or sham Bid in connection with the Contract for which the attached Bid has been submitted or to refrain from bidding in connection with such Contract, or has in any manner, directly or indirectly, sought by agreement or collusion or communication or conference with any other Bidder, firm or person to fix the price or prices in the attached Bid or of any other Bidder, or to fix any overhead, profit or cost element of the Bid price of any other Bidder, or to secure through any collusion, conspiracy, connivance or unlawful agreement any advantage against the Owner or any person interested in the proposed Contract; and
- (5) The price or prices quoted in the attached Bid are fair and proper and are not tainted by any collusion, conspiracy, connivance or unlawful agreement on the part of the Bidder or any of its agents, representatives, owners, employees, or parties in interest, including this affiant.

BIDDER: IOC COMPANY LLC
Signature: [Signature] Date: 08/31/16
Name / Title: Oscar Cuellar / Managing Member
Address: 9312 E Curve Rd Edinburg TX 78542
(Street, City, State, Zip)

Subscribed and sworn to before me this 30th day of Aug, 2016
By: [Signature] Notary Public in and for
Hidalgo County, Texas.
My commission expires January 10, 2017.



CONFLICT OF INTEREST QUESTIONNAIRE
For vendor doing business with local governmental entity

FORM CIQ

This questionnaire reflects changes made to the law by H.B. 23, 84th Leg., Regular Session.

This questionnaire is being filed in accordance with Chapter 176, Local Government Code, by a vendor who has a business relationship as defined by Section 176.001(1-a) with a local governmental entity and the vendor meets requirements under Section 176.006(a).

By law this questionnaire must be filed with the records administrator of the local governmental entity not later than the 7th business day after the date the vendor becomes aware of facts that require the statement to be filed. See Section 176.006(a-1), Local Government Code.

A vendor commits an offense if the vendor knowingly violates Section 176.006, Local Government Code. An offense under this section is a misdemeanor.

OFFICE USE ONLY

Date Received

1 Name of vendor who has a business relationship with local governmental entity.

IOC COMPANY LLC

2 Check this box if you are filing an update to a previously filed questionnaire. (The law requires that you file an updated completed questionnaire with the appropriate filing authority not later than the 7th business day after the date on which you became aware that the originally filed questionnaire was incomplete or inaccurate.)

3 Name of local government officer about whom the information is being disclosed.

Hidalgo County
Name of Officer

4 Describe each employment or other business relationship with the local government officer, or a family member of the officer, as described by Section 176.003(a)(2)(A). Also describe any family relationship with the local government officer. Complete subparts A and B for each employment or business relationship described. Attach additional pages to this Form CIQ as necessary.

A. Is the local government officer or a family member of the officer receiving or likely to receive taxable income, other than investment income, from the vendor?

Yes No

B. Is the vendor receiving or likely to receive taxable income, other than investment income, from or at the direction of the local government officer or a family member of the officer AND the taxable income is not received from the local governmental entity?

Yes No

5 Describe each employment or business relationship that the vendor named in Section 1 maintains with a corporation or other business entity with respect to which the local government officer serves as an officer or director, or holds an ownership interest of one percent or more.

6 Check this box if the vendor has given the local government officer or a family member of the officer one or more gifts as described in Section 176.003(a)(2)(B), excluding gifts described in Section 176.003(a-1).

7 [Signature]
Signature of vendor doing business with the governmental entity

08/31/16
Date

CONFLICT OF INTEREST QUESTIONNAIRE
For vendor doing business with local governmental entity

A complete copy of Chapter 176 of the Local Government Code may be found at <http://www.statutes.legis.state.tx.us/Docs/LG/htm/LG.176.htm>. For easy reference, below are some of the sections cited on this form.

Local Government Code § 176.001(1-a): "Business relationship" means a connection between two or more parties based on commercial activity of one of the parties. The term does not include a connection based on:

- (A) a transaction that is subject to rate or fee regulation by a federal, state, or local governmental entity or an agency of a federal, state, or local governmental entity;
- (B) a transaction conducted at a price and subject to terms available to the public; or
- (C) a purchase or lease of goods or services from a person that is chartered by a state or federal agency and that is subject to regular examination by, and reporting to, that agency.

Local Government Code § 176.003(a)(2)(A) and (B):

(a) A local government officer shall file a conflicts disclosure statement with respect to a vendor if:

...

(2) the vendor:

(A) has an employment or other business relationship with the local government officer or a family member of the officer that results in the officer or family member receiving taxable income, other than investment income, that exceeds \$2,500 during the 12-month period preceding the date that the officer becomes aware that

- (i) a contract between the local governmental entity and vendor has been executed; or
- (ii) the local governmental entity is considering entering into a contract with the vendor;

(B) has given to the local government officer or a family member of the officer one or more gifts that have an aggregate value of more than \$100 in the 12-month period preceding the date the officer becomes aware that:

- (i) a contract between the local governmental entity and vendor has been executed; or
- (ii) the local governmental entity is considering entering into a contract with the vendor.

Local Government Code § 176.006(a) and (a-1)

(a) A vendor shall file a completed conflict of interest questionnaire if the vendor has a business relationship with a local governmental entity and:

- (1) has an employment or other business relationship with a local government officer of that local governmental entity, or a family member of the officer, described by Section 176.003(a)(2)(A);
- (2) has given a local government officer of that local governmental entity, or a family member of the officer, one or more gifts with the aggregate value specified by Section 176.003(a)(2)(B), excluding any gift described by Section 176.003(a-1); or
- (3) has a family relationship with a local government officer of that local governmental entity.

(a-1) The completed conflict of interest questionnaire must be filed with the appropriate records administrator not later than the seventh business day after the later of:

(1) the date that the vendor:

- (A) begins discussions or negotiations to enter into a contract with the local governmental entity; or
- (B) submits to the local governmental entity an application, response to a request for proposals or bids, correspondence, or another writing related to a potential contract with the local governmental entity; or

(2) the date the vendor becomes aware:

- (A) of an employment or other business relationship with a local government officer, or a family member of the officer, described by Subsection (a);
- (B) that the vendor has given one or more gifts described by Subsection (a); or
- (C) of a family relationship with a local government officer.

HIDALGO COUNTY PRECINCT No. 1
"PAVING AND DRAINAGE IMPROVEMENTS FOR NITTLER ROAD
BID 2016-289-08-31-YZV

BIDDER'S ACKNOWLEDGEMENT

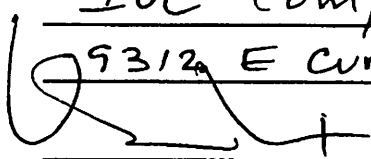
To: Martha L. Salazar, CPPB, Purchasing Agent
Physical Address: 2802 S. Business Hwy. 281 -New Administration Building
Mailing/Postal Address: 2812 S. Business Hwy. 281
Edinburg, Texas 78539

In accordance with the Specifications, and subject to all laws and regulations of the United States and state and local laws, the undersigned bidder proposes and commits to furnish all labor, equipment, material, software and services as set forth in the documents hereinbefore mentioned. The undersigned bidder further agrees, upon acceptance of its bid, to execute a contract and/or Purchase Order issued by Hidalgo County for performing and completing the work described in the Specifications within the time stated and for the prices proposed in the documents attached hereto and made a part hereof.

Bidder acknowledges receipt of all of the pages of the documents referenced in the Invitation to Bid Checklist presented in connection with this procurement. Bidder understands that Hidalgo County reserves the right to reject any or all bids and further reserves the right to design the evaluation criteria to be used in selecting the lowest and best bid.

Bidder agrees that this bid shall be good and may not be withdrawn for a period of ninety (90) calendar days after the scheduled closing time for receiving bids, as contained in the Specifications.

Respectfully submitted,

Bidder: IOC Company, LLC.
Address: 9312 E Curve Rd Edinburg TX 78542
Signature:  Date 08-31-16
Printed Name: Oscar Cuellar
Title: Managing Member

August 23, 2016

RE:

ADDENDUM NO.1

RFB No. 2016-289-08-31-YZV (Nittler Rd.).

Attn Bidders:

Attached you will find **ADDENDUM NO. 1 (1 PAGE TOTAL)** in connection with **RFB No. 2016-289-08-31-YZV (Nittler Rd.)**.

Please add this **ADDENDUM NO. 1** to your bid packet so as to permit your company to submit a complete bid.

Acknowledge receipt of **ADDENDUM NO. 1** by signing and returning this notice to us VIA FAX AT (956) 424-7022 or EMAIL TO: dsolis@tedsi.com.

If you do not receive all pages of **ADDENDUM NO. 1** please notify us immediately at (956) 424-7898.

Please be advised that this **ADDENDUM NO. 1** will complete your bid packet for **RFB No. 2016-289-08-31-YZV (Nittler Rd.)**.

Thank you for your prompt attention to this matter.



Mark D. Corbitt, P.E., Project Manager
TEDSI Infrastructure Group Inc.

BY:



8/29/16

ADDENDUM NO. 1
ACKNOWLEDGMENT OF RECEIPT

ADDENDUM NO. 1

August 23, 2016

RFB No. 2016-289-08-31-YZV
Nittler Rd.

PLEASE NOTE CHANGES AS FOLLOWS:

- I. On Page 1 of Instructions to bidders, Legal Notice the deadline for submitting bids should be "9:30AM, Wednesday, August 31, 2016" as stated in the original advertisement. The revised sheet has been attached to this addendum.

I, IOC Company LLC, acknowledge receipt of ADDENDUM NO. 1 dated, August 23, 2016 for "RFB No. 2016-289-08-31-YZV (Nittler Rd)"

Eloy Tello IOC Company LLC

Printed Bidder Name

8/29/16

Date

NOTE: PLEASE SUBMIT THIS ADDENDUM WITH YOUR BID PACKET, IN ORDER TO COMPLETE THE BID.....

August 25, 2016

RE:

ADDENDUM NO. 2

RFB No. 2016-289-08-31-YZV (Nittler Rd.).

Attn Bidders:

Attached you will find **ADDENDUM NO. 2 (1 PAGE TOTAL)** in connection with **RFB No. 2016-289-08-31-YZV (Nittler Rd.).**

Please add this **ADDENDUM NO. 2** to your bid packet so as to permit your company to submit a complete bid.

Acknowledge receipt of **ADDENDUM NO. 2** by signing and returning this notice to us **VIA FAX AT (956) 424-7022** or **EMAIL TO: dsolis@tedsi.com.**

If you do not receive all pages of **ADDENDUM NO. 2** please notify us immediately at (956) 424-7898.

Please be advised that this **ADDENDUM NO. 2** will complete your bid packet for **RFB No. 2016-289-08-31-YZV (Nittler Rd.).**

Thank you for your prompt attention to this matter.



Mark D. Corbitt, P.E., Project Manager
TEDSI Infrastructure Group Inc.

BY:



8/29/16

ADDENDUM NO. 2

ACKNOWLEDGMENT OF RECEIPT

ADDENDUM NO. 2

August 25, 2016

RFB No. 2016-289-08-31-YZV
Nittler Rd.

PLEASE NOTE CHANGES AS FOLLOWS:

- I. Please refer to the answers to questions noted on the attached project memo.**
- i. Question 1 refers to addendum 1 previously issued**
 - ii. Question 2 refers to the type of Geogrid to be provided (BX1200 or equivalent).**

I, IOC LLC, acknowledge receipt of ADDENDUM NO. 2 dated, August 25, 2016 for "RFB No. 2016-289-08-31-YZV (Nittler Rd.)"

Eloy Tello - IOC Company LLC

Printed Bidder Name

8/29/16

Date

NOTE: PLEASE SUBMIT THIS ADDENDUM WITH YOUR BID PACKET, IN ORDER TO COMPLETE THE BID.....

**Paving and Drainage Improvements for Nittler Road
Hidalgo County Precinct No. 1
Bid Number: 2016-289-08-31-YZV**

B. ADDENDA

Receipt of the following Addenda is acknowledged as follows:

ADDENDUM	ADDENDUM DATE	ACKNOWLEDGEMENT	
No. 1	<u>08/23/16</u>	Signature: <u>Eloy Tello</u>	Date: <u>08/29/16</u>
No. 2	<u>08/25/16</u>	Signature: <u>Eloy Tello</u>	Date: <u>08/29/16</u>
No. 3	_____	Signature: _____	Date: _____
No. 4	_____	Signature: _____	Date: _____

Contract Requirements

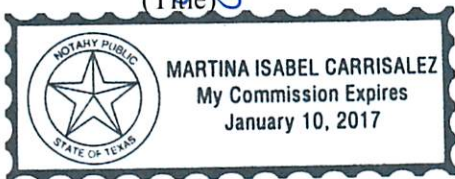
IN WITNESS WHEREOF, the parties to these present have executed this contract in five (5) counterparts, each of which shall be deemed an original, in year and day first above mentioned.

APPROVED BY COMMISSIONERS COURT ON _____, 2016.

CONTRACTOR: _____
Print Name & Title: Oscar Cuellar, managing member
Name of Firm: IOC Company, LLC
Address: 9312 E. Curme Rd
Edinburg, TX 78542
Fed I.D. #/SS #: 36-4576062

STATE OF TEXAS
COUNTY OF HIDALGO

This instrument was acknowledged before me on this the 21st day of September, 2016, by Managing Member (Title) Of and on behalf of IOC Company, LLC (A corporation)



Martina I. Carrisalez
Notary Public-Signature

APPROVED AS TO FORM:
Atlas & Hall, L.L.P.
800 Pecan
McAllen, Texas 78504

BY: _____

ATTEST:

COUNTY OF HIDALGO:

Arturo Guajardo, Jr., County Clerk

Ramon Garcia, County Judge

NON-COLLUSION AFFIDAVIT OF PRIME BIDDER

The State of Texas §
§
County of Hidalgo §

Oscar Cuellar being first duly sworn, deposes and says that

- (1) He is managing member, of IOC Company, LLC, the Bidder that has submitted the attached bid;
- (2) He is fully informed respecting the preparation and contents of the attached Bid and of all pertinent circumstances respecting such bid;
- (3) Such bid is genuine and is not a collusive or sham Bid;
- (4) Neither the said Bidder nor any of its officers, partners, owners, agents, representatives, employees, or parties in interest, including this affiant, has in any way colluded, conspired, connived or agreed, directly or indirectly with any other Bidder, firm or person to submit a collusive or sham Bid in connection with the Contract for which the attached Bid has been submitted or to refrain from bidding in connection with such Contract, or has in any manner, directly or indirectly, sought by agreement or collusion or communication or conference with any other Bidder, firm or person to fix the price or prices in the attached Bid or of any other Bidder, or to fix any overhead, profit or cost element of the Bid price of any other Bidder, or to secure through any collusion, conspiracy, connivance or unlawful agreement any advantage against the Owner or any person interested in the proposed Contract; and
- (5) The price or prices quoted in the attached Bid are fair and proper and are not tainted by any collusion, conspiracy, connivance or unlawful agreement on the part of the Bidder or any of its agents, representatives, owners, employees, or parties in interest, including this affiant.

BIDDER: IOC Company, LLC

Signature: [Signature] Date: _____

Name / Title: Oscar Cuellar, managing member

Address: 9312 E. Curve Rd, Edinburg, Tx 78542
(Street, City, State, Zip)



Subscribed and sworn to before me this 21st day of September, 2016
By: Martina Isabel Carrisalez Notary Public in and for
Hidalgo County, Texas.
My commission expires January 10, 2017.

PART I

CONTRACT AWARD FORMS AND CERTIFICATIONS

FORMS TO SIGN BY CONTRACTOR AS PART OF EXECUTED AGREEMENT:

- I.1 NON-COLLUSION AFFIDAVIT OF CONTRACTOR**
- I.2 PERFORMANCE BOND**
- I.3 PAYMENT BOND**
- I.4 INSURANCE REQUIREMENTS AND CONTRACTOR'S CERTIFICATE OF INSURANCE**
- I.5 SALES TAX AND LOCAL SALES TAX CERTIFICATE**

FORMS TO SIGN PRIOR TO FINAL PAYMENT / ACCEPTANCE OF WORK:

- I.6 AFFIDAVIT AND WAIVER OF LIEN – PRIME CONTRACTOR**
- I.7 RELEASE AND WAIVER OF CLAIMS BY SUBCONTRACTORS AND PRODUCT VENDORS**
- I.8 CONTRACTOR'S AFFIDAVIT AS TO STATUS OF LIEN**

OTHER:

- I.9 WAGE RATES (GENERAL DECISION NUMBER: TX140008 01/03/2014)**

FORM I.1
NON-COLLUSION AFFIDAVIT OF CONTRACTOR

The State of Texas §
§
County of Hidalgo §

Oscar Cuellar being first duly sworn, deposes and says that:

- (1) He / She is managing member of IOC Company, LLC, the Contractor that submitted the Bid on the accepted Contract Price;
- (2) He / She is fully informed respecting the preparation and contents of the Bid on the accepted Contract Price and of all pertinent circumstances respecting such Bid;
- (3) Such Bid on the accepted Contract Price is genuine and is not a collusive or sham Bid;
- (4) Neither the said Contractor nor any of its officers, partners, owners, agents, representatives, employees, or parties in interest, including this affiant, has in any way colluded, conspired, connived or agreed, directly or indirectly with any other Bidder, firm or person to submit a collusive or sham Bid in connection with the Bid on the accepted Contract Price or to refrain from bidding in connection with such Contract, or has in any manner, directly or indirectly, sought by agreement or collusion or communication or conference with any other Bidder, firm or person to fix the price or prices in the attached Bid or of any other Bidder, or to fix any overhead, profit or cost element of the Bid price of any other Bidder, or to secure through any collusion, conspiracy, connivance or unlawful agreement any advantage against the Owner or any person interested in the proposed Contract; and
- (5) The price or prices quoted in the Bid on the accepted Contract Price are fair and proper and are not tainted by any collusion, conspiracy, connivance or unlawful agreement on the part of the Contractor or any of its agents, representatives, owners, employees, or parties in interest, including this affiant.

CONTRACTOR: IOC Company, LLC

Signature: [Signature] Date: _____

Name / Title: Oscar Cuellar, managing member

Address: 9312 E. Carve Rd. Edinburg, TX 78542
(Street, City, State, Zip)



Subscribed and sworn to before me this 21st day of September, 2016.

By: Martina I. Carrisalez Notary Public in and for
Hidalgo County, Texas
My commission expires January 10, 2017.

FORM I.2
PERFORMANCE BOND

KNOW ALL MEN BY THESE PRESENTS, that we, the undersigned, IOC Company, LLC
as Principal, and Allied World Insurance Company as Surety, are hereby held and firmly bound unto
HIDALGO COUNTY (hereinafter called the Oblige) in the amount of
One Million One Hundred Sixty Seven Thousand Seven Hundred Seventy Five and 65/100 Dollars (\$1,167,775.65) for the payment whereof, the said
Principal and Surety bind themselves, and their heirs, administrators, executors, successors and assigns, jointly and
severally, firmly by these presents.

WHEREAS, the Principal has entered into a certain written contract with the Oblige, dated the 6th day of September
2016, for **Contract No. C-16-289-09-06 Paving and Drainage Improvements for Mile 9 North Road**, which contract is hereby referred to and made a part hereof as fully and to the same extent as if copies at length
herein.

NOW, THEREFORE, THE CONDITION OF THIS OBLIGATION IS SUCH, that if the said Principal
shall faithfully perform the Work in accordance with the plans, specifications and contract documents, then this
obligation shall be void; otherwise to remain in full force and effect.

PROVIDED, HOWEVER, that this bond is executed pursuant to the provisions of Texas Government Code,
Section 2253.021 (b), for the benefit of Oblige and provisions of said Section to the same extent as if it were copied in
length herein.

IN WITNESS WHEREOF, this instrument is executed in four (4) counterparts, each one of which shall be
deemed an original, this the 6th day of September A.D., 20 16.

CONTRACTOR: IOC Company, LLC

Principal Signature: [Signature] Date: 9/6/2016

Name / Title: Oscar Cuellar, managing member

Address: 9312 E. Curve Street, Edinburg, TX 78542
(Street, City, State, Zip)

Signature: [Signature] Date: 9/6/2016

Witness to Principal
Printed Name / Title: Nancy C. Davenport, member

CERTIFICATE AS TO CORPORATE PRINCIPAL

I, _____, certify that I am the _____ of the corporation
named as Principal in the BOND; that _____ who signed the BOND on
behalf of Principal, was then _____ of the corporation; that I know his or her
signature, and his or her signature is genuine; and that the BOND was duly signed for and on behalf of the
corporation by authority of its governing body.

Signature: _____

Corporate Seal:

Date: _____

FORM I.3
PAYMENT BOND

KNOW ALL MEN BY THESE PRESENTS, that we, the undersigned, IOC Company, LLC
as Principal, and Allied World Insurance Company as Surety, are hereby held and firmly bound unto
HIDALGO COUNTY (hereinafter called the Oblige) in the amount of
One Million One Hundred Sixty Seven Thousand Seven Hundred Seventy Five and 65/100 Dollars (\$1,167,775.65) for the payment whereof, the said
Principal and Surety bind themselves, and their heirs, administrators, executors, successors and assigns, jointly and
severally, firmly by these presents.

WHEREAS, the Principal has entered into a certain written contract with the Oblige, dated the 6th day of September,
2016, for **Contract No. C-16-289-09-06 Paving and Drainage Improvements for Mile 9 North Road**,
which contract is hereby referred to and made a part hereof as fully and to the same extent as if copies at length herein.

NOW, THEREFORE, THE CONDITION OF THIS OBLIGATION IS SUCH, that if the said Principal
shall pay all claimants supplying labor and material to him or a subcontractor in the prosecution of the work provided
in said contract in accordance with the plans, specifications and contract documents, then this obligation shall be void;
otherwise to remain in full force and effect.

PROVIDED, HOWEVER, that this bond is executed pursuant to the provisions of Texas Government Code,
Section 2253.021(c) for the beneficiaries described by such sub-section, and provisions of said Section to the same
extent as if it were copied in length herein.

IN WITNESS WHEREOF, this instrument is executed in four (4) counterparts, each one of which shall be
deemed an original, this the 6th day of September A.D., 2016.

CONTRACTOR: IOC Company, LLC

Principal Signature: [Signature] Date: 9/6/2016

Name / Title: Oscar Cuellar, managing member
Address: 9312 E. Curve Street, Edinburg, TX 78542
(Street, City, State, Zip)

Signature: [Signature] Date: 9/6/2016

Witness to Principal
Printed Name / Title: Nancy C. Davenport, member

CERTIFICATE AS TO CORPORATE PRINCIPAL

I, _____, certify that I am the _____ of the corporation
named as Principal in the BOND; that _____ who signed the BOND on
behalf of Principal, was then _____ of the corporation; that I know his or her
signature, and his or her signature is genuine; and that the BOND was duly signed for and on behalf of the
corporation by authority of its governing body.

Signature: _____

Corporate Seal:

Date: _____

IMPORTANT NOTICE

TO OBTAIN INFORMATION OR TO MAKE A COMPLAINT

You may contact the Texas Department of Insurance to obtain information on companies, coverages, rights or complaints at

1-800-252-3439

You may write the Texas Department of Insurance:

**P.O. Box 149104
Austin, Texas 78714-9104
Fax No. (512) 475-1771**

PREMIUM or CLAIM DISPUTES

Should you have a dispute concerning your premium or about a claim, you should contact the company first. If the dispute is not resolved, you may contact the Texas Department of Insurance.

ATTACH THIS NOTICE TO YOUR POLICY

This notice is for information only and does not become a part or condition of the attached document.

Notice of Applicability of Chapter 2253 of the Texas Government Code

These bonds are furnished in an attempt to comply with Chapter 2253 of the Texas Government Code. These bonds shall be construed to comply with such Chapter regarding the rights created, limitations on those rights, and remedies provided. Any provision in the bonds to which this Rider is attached that expands or restricts a right or liability under such Chapter shall be disregarded, and such Chapter shall apply to these bonds.



Allied World Surety

Division of Allied World Insurance Company
30 S. 17th St., Suite 810
Philadelphia, PA 19103

POWER OF ATTORNEY

Issue Date: June 9, 2016

No. 27949-A1340

Single Transaction Limit: \$10,000,000

KNOW ALL MEN BY THESE PRESENTS:

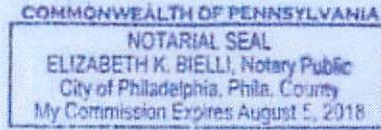
Allied World Insurance Company, a New Hampshire corporation (the "Company") does hereby appoint

NAME(s):	<u>Brady K. Cox</u>	<u>Darrell Blaine Allen William D. Baldwin</u>
	<u>Brock Baldwin</u>	<u>Brent Baldwin</u>
FIRM:	<u>Baldwin-Cox Agency, LLC 5930 Preston View Boulevard #200 Dallas, TX 75240</u>	

Its true and lawful Attorney(s)-in-Fact, with full authority to execute on its behalf bonds, undertakings, recognizances and other contracts of indemnity and writings obligatory in the nature thereof, issued in the course of its business, and to bind the Company thereby. This Power of Attorney shall remain in full force and effect for one year from the issued date above-referenced and shall expire on close of business of the first anniversary of such Issue Date.

IN WITNESS WHEREOF, ALLIED WORLD INSURANCE COMPANY has caused these presents to be executed by the officer named below, who is duly authorized and empowered to execute on the Company's behalf.

This 9th day of June, 2016



Title: Senior Vice President - Surety

State of Pennsylvania)
County of Philadelphia)ss.

On this 9th day of June, 2016, before me came the above-named officer of ALLIED WORLD INSURANCE COMPANY, to me personally known to be the individual and officer described herein, and acknowledged that he executed the foregoing instrument and affixed the seals of said corporation thereto by authority of his office.

Notary
My Commission Expires: 08/05/2018

CERTIFICATE

Excerpt of Resolution adopted by the Board of Directors of the ALLIED WORLD INSURANCE COMPANY (the "Corporation"), on December 31, 2012:

RESOLVED, that the proper officers of the Corporation, the head of the surety business line for the Corporation and their appointed designees (each an "Authorized Officer" and collectively, the "Authorized Officers") be, and each hereby is, authorized to appoint one or more Attorneys-in-Fact to represent and act for and on behalf of the Corporation in the transaction of the Company's surety business to execute (under the common seal of the Corporation, if appropriate) bonds, undertakings, recognizances and other contracts of indemnity and writings obligatory in the nature thereof.

RESOLVED, that in connection with the Corporation's transaction of surety business, the signatures and attestations of the Authorized Officers and the seal of the Corporation may be affixed to any such Power of Attorney or to any certificate relating thereto by facsimile, and any such Power of Attorney or certificate bearing such facsimile signatures or facsimile seal shall be valid and binding upon the Corporation when so affixed with respect to any bond, undertaking, recognizance or other contract of indemnity or writing obligatory in the nature thereof.

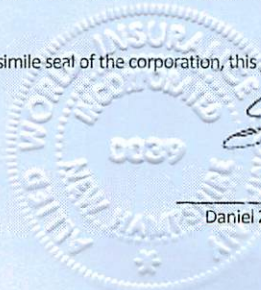
RESOLVED, that in connection with the Corporation's transaction of surety business, the facsimile or mechanically reproduced signature of any Authorized Officer, whether made heretofore or hereafter, wherever appearing upon a copy of any Power of Attorney of the Corporation, with signatures affixed as next above noted, shall be valid and binding upon the Corporation with the same force and effect as though manually affixed.

RESOLVED, that in connection with the Corporation's transaction of surety business, any such Attorney-in-Fact delivering a secretarial or other certification that the foregoing resolutions still be in effect may insert in such certification the date thereof, said date to be not later than the date of delivery thereof by such Attorney-in-Fact.

RESOLVED, that the Authorized Officers be, and each hereby is, authorized to execute (under the common seal of the Corporation, if appropriate), make, file and deliver in the name and on behalf of the Corporation any and all consents, certificates, agreements, amendments, supplements, instruments and other documents whatsoever, and do any and all other things whatsoever in connection with the Corporation's transaction of surety business, as such Authorized Officer shall in his or her absolute discretion deem or determine appropriate and any of the foregoing resolutions, the transactions contemplated thereby and any ancillary matters thereto and/or to carry out the purposes and intent thereof, such deeming or determination to be conclusively evidenced by any such execution or the taking of any such action by such Authorized Officer.

I, Daniel Zharkovky, Secretary of the ALLIED WORLD INSURANCE COMPANY, do hereby certify that the foregoing excerpts of Resolution adopted by the Board of Directors of this corporation, and the Power of Attorney issued pursuant thereto, are true and correct, and that both the Resolution and the Power of Attorney are in full force and effect.

IN WITNESS WHEREOF, I have hereunto set my hand and affixed the facsimile seal of the corporation, this _____ day of _____, 20__.



Daniel Zharkovky, AVP, Assistant General Counsel

**FORM I.4
CONTRACTOR'S CERTIFICATE OF INSURANCE**

The Contractor shall furnish proof of insurance, which will also include any subcontractor that is subcontracted by the Contractor in at least the following limits, to be in place prior to providing any services under this Contract and to continue at all times in force in effect during the term of this Contract:

- (1) Automobile liability insurance policy with limits of at least three hundred thousand dollars (\$300,000.00) per person and five hundred thousand dollars \$500,000.00 per occurrence, consistent with potential exposure to Hidalgo County under the Texas Tort Claims Act. Coverage should injury to or death of persons and property damage claims (with limits up to five hundred thousand dollars (\$500,000.00)) arising out of the services provided to Hidalgo County hereunder;
- (2) Uninsured/Underinsured motorist coverage in an amount equal to the bodily injury limits set forth immediately above;
- (3) A five hundred thousand dollar (\$500,000.00) Comprehensive General Liability insurance policy providing additional coverage to all underlying liabilities of Hidalgo County consistent with potential exposure of Hidalgo County under the Texas Tort Claims Act;
- (4) Workers compensation insurance in amounts established by Texas law, unless the Bidder is specifically exempted from the Texas Workers' Compensation Act, Texas Labor Code Chapter 401, et. seq.

Certificates of insurance naming Hidalgo County as an additional insured shall be submitted to Hidalgo County for approval prior to any services being performed by Contractor. Each policy of insurance required hereunder shall extend for a period equivalent to, or longer than the term of the Contract, and any insurer hereunder shall be required to give at least thirty (30) days written notice to Hidalgo County prior to the cancellation of any such coverage on the termination date, or otherwise. This Contract shall be automatically suspended upon the cancellation, or other termination, of any required policy of insurance hereunder, and such suspension shall continue until evidence adequate replacement coverage is provided to Hidalgo County. If replacement coverage is not provided within thirty (30) days following suspension of the Contract, this Contract shall automatically terminate.

FORM I.5
SALES TAX AND LOCAL SALES TAX
EXEMPTION CERTIFICATE FOR CONTRACTORS

This Contract is to be performed for an exempt organization as defined by Article 20.04 (H)(4) of the Texas Limited Sales, Excise, and Use Tax Act and the undersigned hereby claims an exemption from payment of taxes under Chapter 20, Title 122A, revised civil statutes of Texas, and Article 1066 (C), entitle Local Sales and Use Tax, revised civil statutes of Texas.

The Contractor performing this Contract may purchase, rent, or lease materials, supplies, equipment used or consumed in the performance of this Contract by issuing to his retailer an exemption certificate in lieu of the tax, said exemption certificate complying with State Comptroller's Ruling No. 95.9.07. Any such exemption certificate issued by the Contractor in lieu of the tax shall be subject to the provisions of the State Comptroller's Ruling No. 905.0.09 as amended to be effective October 2, 1968.

EXECUTED this the 21 day of September 2016

CONTRACTOR: TOC Company, LLC

Principal Signature: [Signature] Date: 9-21-16

Name / Title: Nancy C. Davenport

Address: 9312 E. Carne Rd. Edinburg, TX 78542
(Street, City, State, Zip)

**FORM I.6
AFFIDAVIT AND WAIVER OF LIEN
CONTRACTOR**

The State of Texas §
§
County of Hidalgo §

**THIS AFFIDAVIT TO BE COMPLETED AND SUBMITTED UPON ACCEPTANCE
OF COMPLETED PROJECT BY OWNER AND PRIOR TO FINAL PAYMENT.**

_____, the undersigned Principal of _____,
Contractor, personally appeared before me, the undersigned Notary Public in and for Hidalgo County, Texas,
who being duly sworn by me states on oath that all product suppliers, subcontractors, payrolls, sales tax,
privilege tax or license, old age benefits tax, state and federal unemployment insurance, and other liabilities in
the performance of **Contract No. _____ Paving and Drainage Improvements for Mile 9 North
Road**, Project, have been paid in full, and that the above named Contractor waives any claims and releases to
Hidalgo County, Owner, from any rights or claims (including lien rights) for debts due and owing by virtue of
the furnishing of any labor, products, and supplies furnished for the Project.

The above named Contractor agrees to indemnify the Owner and save him harmless on account of any loss
Contractor may sustain in reliance upon this Affidavit and Waiver of Lien including the amount of any lien
Contractor may be compelled to pay all costs relating thereto and a reasonable attorney's fee.

CONTRACTOR: _____

Signature: _____ Date: _____

Name / Title: _____

Address: _____
(Street, City, State, Zip)

Subscribed and sworn to before me this _____ day of _____, 20__.

By: _____, Notary Public in and for
Hidalgo County, Texas.
My commission expires _____.

**FORM I.7
RELEASE AND WAIVER OF CLAIMS BY
SUBCONTRACTORS AND PRODUCT VENDORS**

The State of Texas §
§
County of Hidalgo §

**THIS AFFIDAVIT TO BE COMPLETED BY EACH SUBCONTRACTOR AND VENDOR
AND SUBMITTED PRIOR TO FINAL PAYMENT.**

_____, the undersigned Principal of _____,
Sub-Contractor / Vendor, personally appeared before me, the undersigned Notary Public in and for Hidalgo
County, Texas, who being duly sworn by me states on oath that all bills for labor and products, subcontractors,
payrolls, sales tax, privilege tax or license, old age benefits tax, state and federal unemployment insurance,
and other liabilities in the performance of subcontract for furnishing labor or products in the construction of
Contract No. _____ Paving and Drainage Improvements for Mile 9 North Road, Project,
have been paid in full or that funds are in hand to discharge such liabilities when due, and that the above
named Sub-Contractor / Vendor waives any claims and releases to Hidalgo County, Owner, and
_____, Contractor, from any rights or claims (including lien rights) for debts due and
owing by virtue of the furnishing of any labor, products, and supplies furnished for the Project.

SUB-CONTRACTOR OR VENDOR: _____

Signature: _____ Date: _____

Name / Title: _____

Address: _____
(Street, City, State, Zip)

Subscribed and sworn to before me this _____ day of _____, 20__.

By: _____, Notary Public in and for
Hidalgo County, Texas.

My commission expires _____.

**FORM I.8
CONTRACTOR'S AFFIDAVIT AS TO STATUS OF LIEN**

**The State of Texas §
 §
County of Hidalgo §**

**THIS AFFIDAVIT TO BE COMPLETED AND SUBMITTED UPON ACCEPTANCE
OF COMPLETED PROJECT BY OWNER AND PRIOR TO FINAL PAYMENT.**

_____, the undersigned Principal of _____,
Contractor, personally appeared before me, the undersigned Notary Public in and for Hidalgo County, Texas,
who being duly sworn by me states on oath that to the best of his knowledge and belief, except as listed below,
the Releases and Waivers of Claim attached hereto include all subcontractors and vendor of labor, products,
and equipment provided by all persons who may have liens against the property of Hidalgo County, Owner,
arising out of the construction of **Contract No. _____ Paving and Drainage Improvements for
Mile 9 North Road** Project.

Exceptions: (If none, write "None".) Any exception listed shall be bonded by the Contractor to indemnify the
Owner, and a copy of each bond shall be attached hereto.

- 1.
- 2.
- 3.
- 4.

CONTRACTOR: _____

Signature: _____ Date: _____

Name / Title: _____

Address: _____
(Street, City, State, Zip)

Subscribed and sworn to before me this _____ day of _____, 20__

By: _____, Notary Public in and for
Hidalgo County, Texas.
My commission expires _____.

FORM I.9
WAGE RATES
(GENERAL DECISION NO: TX160008 01/08/2016)

General Decision Number: TX160008 01/08/2016 TX8

Superseded General Decision Number: TX20150008

State: Texas

Construction Types: Heavy and Highway

Counties: Cameron, Hidalgo and Webb Counties in Texas.

HEAVY & HIGHWAY CONSTRUCTION PROJECTS

Note: Under Executive Order (EO) 13658, an hourly minimum wage of \$10.15 for calendar year 2016 applies to all contracts subject to the Davis-Bacon Act for which the solicitation was issued on or after January 1, 2015. If this contract is covered by the EO, the contractor must pay all workers in any classification listed on this wage determination at least \$10.15 (or the applicable wage rate listed on this wage determination, if it is higher) for all hours spent performing on the contract in calendar year 2016. The EO minimum wage rate will be adjusted annually. Additional information on contractor requirements and worker protections under the EO is available at www.dol.gov/whd/govcontracts.

Modification Number	Publication Date
0	01/08/2016

* SUTX2011-003 08/02/2011

	Rates	Fringes
CEMENT MASON/CONCRETE FINISHER (Paving & Structures)...	\$ 12.46	
FORM BUILDER/FORM SETTER (Structures).....	\$ 12.30	
FORM SETTER (Paving & Curb).....	\$ 12.16	
LABORER		
Asphalt Raker.....	\$ 10.61	
Flagger.....	\$ 9.10	
Laborer, Common.....	\$ 9.86	
Laborer, Utility.....	\$ 11.53	
Pipelayer.....	\$ 11.87	
Work Zone Barricade Servicer.....	\$ 12.88	
POWER EQUIPMENT OPERATOR:		
Asphalt Distributor.....	\$ 13.48	
Asphalt Paving Machine.....	\$ 12.25	
Broom or Sweeper.....	\$ 10.33	
Crane, Lattice Boom 80 Tons or Less.....	\$ 14.39	
Crawler Tractor.....	\$ 16.63	
Excavator, 50,000 lbs or less.....	\$ 12.56	
Excavator, over 50,000 lbs..	\$ 15.23	
Foundation Drill, Truck Mounted.....	\$ 16.86	
Front End Loader Operator, Over 3 CY.....	\$ 13.69	

Front End Loader, 3 CY or
less.....\$ 13.49
Loader/Backhoe.....\$ 12.77
Mechanic.....\$ 15.47
Milling Machine.....\$ 14.64
Motor Grader Operator,
Rough.....\$ 14.62
Motor Grader, Fine Grade...\$ 16.52
Scraper.....\$ 11.07

Servicer.....\$ 12.34

Steel Worker (Reinforcing).....\$ 14.07

TRUCK DRIVER

Lowboy-Float.....\$ 13.63
Single Axle.....\$ 10.82
Single or Tandem Axle Dump..\$ 14.53
Tandem Axle Tractor with
Semi Trailer.....\$ 12.12

WELDER.....\$ 14.02

WELDERS - Receive rate prescribed for craft performing
operation to which welding is incidental.

=====
Unlisted classifications needed for work not included within
the scope of the classifications listed may be added after
award only as provided in the labor standards contract clauses
(29CFR 5.5 (a) (1) (ii)).

The body of each wage determination lists the classification
and wage rates that have been found to be prevailing for the
cited type(s) of construction in the area covered by the wage
determination. The classifications are listed in alphabetical
order of "identifiers" that indicate whether the particular
rate is a union rate (current union negotiated rate for local),
a survey rate (weighted average rate) or a union average rate
(weighted union average rate).

Union Rate Identifiers

A four letter classification abbreviation identifier enclosed
in dotted lines beginning with characters other than "SU" or
"UAVG" denotes that the union classification and rate were
prevailing for that classification in the survey. Example:
PLUM0198-005 07/01/2014. PLUM is an abbreviation identifier of
the union which prevailed in the survey for this
classification, which in this example would be Plumbers. 0198
indicates the local union number or district council number
where applicable, i.e., Plumbers Local 0198. The next number,
005 in the example, is an internal number used in processing
the wage determination. 07/01/2014 is the effective date of the
most current negotiated rate, which in this example is July 1,
2014.

Union prevailing wage rates are updated to reflect all rate

changes in the collective bargaining agreement (CBA) governing this classification and rate.

Survey Rate Identifiers

Classifications listed under the "SU" identifier indicate that no one rate prevailed for this classification in the survey and the published rate is derived by computing a weighted average rate based on all the rates reported in the survey for that classification. As this weighted average rate includes all rates reported in the survey, it may include both union and non-union rates. Example: SULA2012-007 5/13/2014. SU indicates the rates are survey rates based on a weighted average calculation of rates and are not majority rates. LA indicates the State of Louisiana. 2012 is the year of survey on which these classifications and rates are based. The next number, 007 in the example, is an internal number used in producing the wage determination. 5/13/2014 indicates the survey completion date for the classifications and rates under that identifier.

Survey wage rates are not updated and remain in effect until a new survey is conducted.

Union Average Rate Identifiers

Classification(s) listed under the UAVG identifier indicate that no single majority rate prevailed for those classifications; however, 100% of the data reported for the classifications was union data. EXAMPLE: UAVG-OH-0010 08/29/2014. UAVG indicates that the rate is a weighted union average rate. OH indicates the state. The next number, 0010 in the example, is an internal number used in producing the wage determination. 08/29/2014 indicates the survey completion date for the classifications and rates under that identifier.

A UAVG rate will be updated once a year, usually in January of each year, to reflect a weighted average of the current negotiated/CBA rate of the union locals from which the rate is based.

WAGE DETERMINATION APPEALS PROCESS

1.) Has there been an initial decision in the matter? This can be:

- * an existing published wage determination
- * a survey underlying a wage determination
- * a Wage and Hour Division letter setting forth a position on a wage determination matter
- * a conformance (additional classification and rate) ruling

On survey related matters, initial contact, including requests for summaries of surveys, should be with the Wage and Hour Regional Office for the area in which the survey was conducted because those Regional Offices have responsibility for the Davis-Bacon survey program. If the response from this initial contact is not satisfactory, then the process described in 2.) and 3.) should be followed.

With regard to any other matter not yet ripe for the formal process described here, initial contact should be with the

Branch of Construction Wage Determinations. Write to:

Branch of Construction Wage Determinations
Wage and Hour Division
U.S. Department of Labor
200 Constitution Avenue, N.W.
Washington, DC 20210

2.) If the answer to the question in 1.) is yes, then an interested party (those affected by the action) can request review and reconsideration from the Wage and Hour Administrator (See 29 CFR Part 1.8 and 29 CFR Part 7). Write to:

Wage and Hour Administrator
U.S. Department of Labor
200 Constitution Avenue, N.W.
Washington, DC 20210

The request should be accompanied by a full statement of the interested party's position and by any information (wage payment data, project description, area practice material, etc.) that the requestor considers relevant to the issue.

3.) If the decision of the Administrator is not favorable, an interested party may appeal directly to the Administrative Review Board (formerly the Wage Appeals Board). Write to:

Administrative Review Board
U.S. Department of Labor
200 Constitution Avenue, N.W.
Washington, DC 20210

4.) All decisions by the Administrative Review Board are final.

=====
END OF GENERAL DECISION

PART II

GENERAL CONDITIONS

II.1 STANDARD GENERAL CONDITIONS

II.2 SUPPLEMENTARY GENERAL CONDITIONS

II.3 GOVERNING SPECIFICATIONS

II.4 GENERAL NOTES

II.1
STANDARD
GENERAL CONDITIONS
OF THE
CONSTRUCTION CONTRACT

**STANDARD
GENERAL CONDITIONS
OF THE
CONSTRUCTION CONTRACT**

Prepared by

ENGINEERS JOINT CONTRACT DOCUMENTS COMMITTEE

and

Issued and Published Jointly By

PROFESSIONAL ENGINEERS IN PRIVATE PRACTICE
a practice division of the
NATIONAL SOCIETY OF PROFESSIONAL ENGINEERS

AMERICAN CONSULTING ENGINEERS COUNCIL

AMERICAN SOCIETY OF CIVIL ENGINEERS

This document has been approved and endorsed by

The Associated General Contractors of America

Construction Specifications Institute

Copyright ©1996

National Society of Professional Engineers
1420 King Street, Alexandria, VA 22314

American Consulting Engineers Council
1015 15th Street N.W., Washington, DC 20005

American Society of Civil Engineers
345 East 47th Street, New York, NY 10017

TABLE OF CONTENTS

Page

ARTICLE 1 - DEFINITIONS AND TERMINOLOGY6
 1.01 *Defined Terms*6
 1.02 *Terminology*.....8

ARTICLE 2 - PRELIMINARY MATTERS.....9
 2.01 *Delivery of Bonds*.....9
 2.02 *Copies of Documents*.....9
 2.03 *Commencement of Contract Times; Notice to Proceed*9
 2.04 *Starting the Work*9
 2.05 *Before Starting Construction*.....9
 2.06 *Preconstruction Conference*.....10
 2.07 *Initial Acceptance of Schedules*.....10

ARTICLE 3 - CONTRACT DOCUMENTS: INTENT, AMENDING, REUSE.....10
 3.01 *Intent*.....10
 3.02 *Reference Standards*.....10
 3.03 *Reporting and Resolving Discrepancies*.....10
 3.04 *Amending and Supplementing Contract Documents*.....11
 3.05 *Reuse of Documents*.....11

ARTICLE 4 - AVAILABILITY OF LANDS; SUBSURFACE AND PHYSICAL CONDITIONS; REFERENCE POINTS.....11
 4.01 *Availability of Lands*.....11
 4.02 *Subsurface and Physical Conditions*.....12
 4.03 *Differing Subsurface or Physical Conditions*.....12
 4.04 *Underground Facilities*.....13
 4.05 *Reference Points*13
 4.06 *Hazardous Environmental Condition at Site*.....14

ARTICLE 5 - BONDS AND INSURANCE.....15
 5.01 *Performance, Payment, and Other Bonds*15
 5.02 *Licensed Sureties and Insurers*15
 5.03 *Certificates of Insurance*15
 5.04 *CONTRACTOR's Liability Insurance*15
 5.05 *OWNER's Liability Insurance*16
 5.06 *Property Insurance*.....16
 5.07 *Waiver of Rights*.....17
 5.08 *Receipt and Application of Insurance Proceeds*.....18
 5.09 *Acceptance of Bonds and Insurance; Option to Replace*.....18
 5.10 *Partial Utilization, Acknowledgment of Property Insurer*18

ARTICLE 6 - CONTRACTOR'S RESPONSIBILITIES18
 6.01 *Supervision and Superintendence*18
 6.02 *Labor; Working Hours*.....19
 6.03 *Services, Materials, and Equipment*19
 6.04 *Progress Schedule*.....19
 6.05 *Substitutes and "Or-Equals"*19
 6.06 *Concerning Subcontractors, Suppliers, and Others*.....21

6.07 Patent Fees and Royalties	21
6.08 Permits	22
6.09 Laws and Regulations	22
6.10 Taxes	22
6.11 Use of Site and Other Areas.....	22
6.12 Record Documents.....	22
6.13 Safety and Protection	23
6.14 Safety Representative.....	23
6.15 Hazard Communication Programs.....	23
6.16 Emergencies.....	23
6.17 Shop Drawings and Samples.....	24
6.18 Continuing the Work	25
6.19 CONTRACTOR's General Warranty and Guarantee	25
6.20 Indemnification.....	25
ARTICLE 7 - OTHER WORK	26
7.01 Related Work at Site	26
7.02 Coordination.....	26
ARTICLE 8 - OWNER'S RESPONSIBILITIES	27
8.01 Communications to Contractor.....	27
8.02 Replacement of ENGINEER.....	27
8.03 Furnish Data	27
8.04 Pay Promptly When Due.....	27
8.05 Lands and Easements; Reports and Tests	27
8.06 Insurance.....	27
8.07 Change Orders	27
8.08 Inspections, Tests, and Approvals	27
8.09 Limitations on OWNER's Responsibilities.....	27
8.10 Undisclosed Hazardous Environmental Condition	27
8.11 Evidence of Financial Arrangements	27
ARTICLE 9 - ENGINEER'S STATUS DURING CONSTRUCTION.....	27
9.01 OWNER'S Representative	27
9.02 Visits to Site	28
9.03 Project Representative.....	28
9.04 Clarifications and Interpretations.....	28
9.05 Authorized Variations in Work	28
9.06 Rejecting Defective Work	29
9.07 Shop Drawings, Change Orders and Payments.....	29
9.08 Determinations for Unit Price Work.....	28
9.09 Decisions on Requirements of Contract Documents and Acceptability of Work.....	28
9.10 Limitations on ENGINEER's Authority and Responsibilities	28
ARTICLE 10 - CHANGES IN THE WORK; CLAIMS.....	29
10.01 Authorized Changes in the Work.....	29
10.02 Unauthorized Changes in the Work.....	29
10.03 Execution of Change Orders	30
10.04 Notification to Surety	30
10.05 Claims and Disputes	30
ARTICLE 11 - COST OF THE WORK; CASH ALLOWANCES; UNIT PRICE WORK.....	30
11.01 Cost of the Work.....	30

11.02 <i>Cash Allowances</i>	32
11.03 <i>Unit Price Work</i>	33
ARTICLE 12 - CHANGE OF CONTRACT PRICE; CHANGE OF CONTRACT TIMES	33
12.01 <i>Change of Contract Price</i>	33
12.02 <i>Change of Contract Times</i>	34
12.03 <i>Delays Beyond CONTRACTOR's Control</i>	34
12.04 <i>Delays Within CONTRACTOR's Control</i>	34
12.05 <i>Delays Beyond OWNER's and CONTRACTOR'S Control</i>	34
12.06 <i>Delay Damages</i>	34
ARTICLE 13 - TESTS AND INSPECTIONS; CORRECTION, REMOVAL OR ACCEPTANCE OF DEFECTIVE WORK	34
13.01 <i>Notice of Defects</i>	34
13.02 <i>Access to Work</i>	34
13.03 <i>Tests and Inspections</i>	35
13.04 <i>Uncovering Work</i>	35
13.05 <i>OWNER May Stop the Work</i>	35
13.06 <i>Correction or Removal of Defective Work</i>	36
13.07 <i>Correction Period</i>	36
13.08 <i>Acceptance of Defective Work</i>	36
13.09 <i>OWNER May Correct Defective Work</i>	36
ARTICLE 14 - PAYMENTS TO CONTRACTOR AND COMPLETION	37
14.01 <i>Schedule of Values</i>	37
14.02 <i>Progress Payments</i>	37
14.03 <i>CONTRACTOR's Warranty of Title</i>	38
14.04 <i>Substantial Completion</i>	39
14.05 <i>Partial Utilization</i>	39
14.06 <i>Final Inspection</i>	39
14.07 <i>Final Payment</i>	40
14.08 <i>Final Completion Delayed</i>	40
14.09 <i>Waiver of Claims</i>	41
ARTICLE 15 - SUSPENSION OF WORK AND TERMINATION	41
15.01 <i>OWNER May Suspend Work</i>	41
15.02 <i>OWNER May Terminate for Cause</i>	41
15.03 <i>OWNER May Terminate For Convenience</i>	41
15.04 <i>CONTRACTOR May Stop Work or Terminate</i>	42
ARTICLE 16 - DISPUTE RESOLUTION	42
16.01 <i>Methods and Procedures</i>	42
ARTICLE 17 - MISCELLANEOUS	43
17.01 <i>Giving Notice</i>	43
17.02 <i>Computation of Times</i>	43
17.03 <i>Cumulative Remedies</i>	43
17.04 <i>Survival of Obligations</i>	43
17.05 <i>Controlling Law</i>	43

GENERAL CONDITIONS

ARTICLE 1 - DEFINITIONS AND TERMINOLOGY

1.01 *Defined Terms*

A. Wherever used in the Contract Documents and printed with initial or all capital letters, the terms listed below will have the meanings indicated which are applicable to both the singular and plural thereof.

1. *Addenda*--Written or graphic instruments issued prior to the opening of Bids which clarify, correct, or change the Bidding Requirements or the Contract Documents.

2. *Agreement*--The written instrument which is evidence of the agreement between OWNER and CONTRACTOR covering the Work.

3. *Application for Payment*--The form acceptable to ENGINEER which is to be used by CONTRACTOR during the course of the Work in requesting progress or final payments and which is to be accompanied by such supporting documentation as is required by the Contract Documents.

4. *Asbestos*--Any material that contains more than one percent asbestos and is friable or is releasing asbestos fibers into the air above current action levels established by the United States Occupational Safety and Health Administration.

5. *Bid*--The offer or proposal of a bidder submitted on the prescribed form setting forth the prices for the Work to be performed.

6. *Bidding Documents*--The Bidding Requirements and the proposed Contract Documents (including all Addenda issued prior to receipt of Bids).

7. *Bidding Requirements*--The Advertisement or Invitation to Bid, Instructions to Bidders, Bid security form, if any, and the Bid form with any supplements.

8. *Bonds*--Performance and payment bonds and other instruments of security.

9. *Change Order*--A document recommended by ENGINEER which is signed by CONTRACTOR and OWNER and authorizes an addition, deletion, or revision in the Work or an adjustment in the Contract Price or the

Contract Times, issued on or after the Effective Date of the Agreement.

10. *Claim*--A demand or assertion by OWNER or CONTRACTOR seeking an adjustment of Contract Price or Contract Times, or both, or other relief with respect to the terms of the Contract. A demand for money or services by a third party is not a Claim.

11. *Contract*--The entire and integrated written agreement between the OWNER and CONTRACTOR concerning the Work. The Contract supersedes prior negotiations, representations, or agreements, whether written or oral.

12. *Contract Documents*--The Contract Documents establish the rights and obligations of the parties and include the Agreement, Addenda (which pertain to the Contract Documents), CONTRACTOR's Bid (including documentation accompanying the Bid and any post Bid documentation submitted prior to the Notice of Award) when attached as an exhibit to the Agreement, the Notice to Proceed, the Bonds, these General Conditions, the Supplementary Conditions, the Specifications and the Drawings as the same are more specifically identified in the Agreement, together with all Written Amendments, Change Orders, Work Change Directives, Field Orders, and ENGINEER's written interpretations and clarifications issued on or after the Effective Date of the Agreement. Approved Shop Drawings and the reports and drawings of subsurface and physical conditions are not Contract Documents. Only printed or hard copies of the items listed in this paragraph are Contract Documents. Files in electronic media format of text, data, graphics, and the like that may be furnished by OWNER to CONTRACTOR are not Contract Documents.

13. *Contract Price*--The moneys payable by OWNER to CONTRACTOR for completion of the Work in accordance with the Contract Documents as stated in the Agreement (subject to the provisions of paragraph 11.03 in the case of Unit Price Work).

14. *Contract Times*--The number of days or the dates stated in the Agreement to: (i) achieve Substantial Completion; and (ii) complete the Work so that it is ready for final payment as evidenced by ENGINEER's written recommendation of final payment.

15. *CONTRACTOR*--The individual or entity with whom OWNER has entered into the Agreement.

16. *Cost of the Work*--See paragraph 11.01.A for definition.

17. *Drawings*--That part of the Contract Documents prepared or approved by ENGINEER which graphically shows the scope, extent, and character of the Work to be performed by CONTRACTOR. Shop Drawings and other CONTRACTOR submittals are not Drawings as so defined.

18. *Effective Date of the Agreement*--The date indicated in the Agreement on which it becomes effective, but if no such date is indicated, it means the date on which the Agreement is signed and delivered by the last of the two parties to sign and deliver.

19. *ENGINEER*--The individual or entity named as such in the Agreement.

20. *ENGINEER's Consultant*--An individual or entity having a contract with ENGINEER to furnish services as ENGINEER's independent professional associate or consultant with respect to the Project and who is identified as such in the Supplementary Conditions.

21. *Field Order*--A written order issued by ENGINEER which requires minor changes in the Work but which does not involve a change in the Contract Price or the Contract Times.

22. *General Requirements*--Sections of Division 1 of the Specifications. The General Requirements pertain to all sections of the Specifications.

23. *Hazardous Environmental Condition*--The presence at the Site of Asbestos, PCBs, Petroleum, Hazardous Waste, or Radioactive Material in such quantities or circumstances that may present a substantial danger to persons or property exposed thereto in connection with the Work.

24. *Hazardous Waste*--The term Hazardous Waste shall have the meaning provided in Section 1004 of the Solid Waste Disposal Act (42 USC Section 6903) as amended from time to time.

25. *Laws and Regulations; Laws or Regulations*--Any and all applicable laws, rules, regulations, ordinances, codes, and orders of any and all governmental bodies, agencies, authorities, and courts having jurisdiction.

26. *Liens*--Charges, security interests, or encumbrances upon Project funds, real property, or personal property.

27. *Milestone*--A principal event specified in the Contract Documents relating to an intermediate completion date or time prior to Substantial Completion of all the Work.

28. *Notice of Award*--The written notice by OWNER to the apparent successful bidder stating that upon timely compliance by the apparent successful bidder with the conditions precedent listed therein, OWNER will sign and deliver the Agreement.

29. *Notice to Proceed*--A written notice given by OWNER to CONTRACTOR fixing the date on which the Contract Times will commence to run and on which CONTRACTOR shall start to perform the Work under the Contract Documents.

30. *OWNER*--The individual, entity, public body, or authority with whom CONTRACTOR has entered into the Agreement and for whom the Work is to be performed.

31. *Partial Utilization*--Use by OWNER of a substantially completed part of the Work for the purpose for which it is intended (or a related purpose) prior to Substantial Completion of all the Work.

32. *PCBs*--Polychlorinated biphenyls.

33. *Petroleum*--Petroleum, including crude oil or any fraction thereof which is liquid at standard conditions of temperature and pressure (60 degrees Fahrenheit and 14.7 pounds per square inch absolute), such as oil, petroleum, fuel oil, oil sludge, oil refuse, gasoline, kerosene, and oil mixed with other non-Hazardous Waste and crude oils.

34. *Project*--The total construction of which the Work to be performed under the Contract Documents may be the whole, or a part as may be indicated elsewhere in the Contract Documents.

35. *Project Manual*--The bound documentary information prepared for bidding and constructing the Work. A listing of the contents of the Project Manual, which may be bound in one or more volumes, is contained in the table(s) of contents.

36. *Radioactive Material*—Source, special nuclear, or byproduct material as defined by the Atomic Energy Act of 1954 (42 USC Section 2011 et seq.) as amended from time to time.

37. *Resident Project Representative*—The authorized representative of ENGINEER who may be assigned to the Site or any part thereof.

38. *Samples*—Physical examples of materials, equipment, or workmanship that are representative of some portion of the Work and which establish the standards by which such portion of the Work will be judged.

39. *Shop Drawings*—All drawings, diagrams, illustrations, schedules, and other data or information which are specifically prepared or assembled by or for CONTRACTOR and submitted by CONTRACTOR to illustrate some portion of the Work.

40. *Site*—Lands or areas indicated in the Contract Documents as being furnished by OWNER upon which the Work is to be performed, including rights-of-way and easements for access thereto, and such other lands furnished by OWNER which are designated for the use of CONTRACTOR.

41. *Specifications*—That part of the Contract Documents consisting of written technical descriptions of materials, equipment, systems, standards, and workmanship as applied to the Work and certain administrative details applicable thereto.

42. *Subcontractor*—An individual or entity having a direct contract with CONTRACTOR or with any other Subcontractor for the performance of a part of the Work at the Site.

43. *Substantial Completion*—The time at which the Work (or a specified part thereof) has progressed to the point where, in the opinion of ENGINEER, the Work (or a specified part thereof) is sufficiently complete, in accordance with the Contract Documents, so that the Work (or a specified part thereof) can be utilized for the purposes for which it is intended. The terms “substantially complete” and “substantially completed” as applied to all or part of the Work refer to Substantial Completion thereof.

44. *Supplementary Conditions*—That part of the Contract Documents which amends or supplements these General Conditions.

45. *Supplier*—A manufacturer, fabricator, supplier, distributor, materialman, or vendor having a direct contract with CONTRACTOR or with any Subcontractor to furnish materials or equipment to be incorporated in the Work by CONTRACTOR or any Subcontractor.

46. *Underground Facilities*—All underground pipelines, conduits, ducts, cables, wires, manholes, vaults, tanks, tunnels, or other such facilities or attachments, and any encasements containing such facilities, including those that convey electricity, gases, steam, liquid petroleum products, telephone or other communications, cable television, water, wastewater, storm water, other liquids or chemicals, or traffic or other control systems.

47. *Unit Price Work*—Work to be paid for on the basis of unit prices.

48. *Work*—The entire completed construction or the various separately identifiable parts thereof required to be provided under the Contract Documents. Work includes and is the result of performing or providing all labor, services, and documentation necessary to produce such construction, and furnishing, installing, and incorporating all materials and equipment into such construction, all as required by the Contract Documents.

49. *Work Change Directive*—A written statement to CONTRACTOR issued on or after the Effective Date of the Agreement and signed by OWNER and recommended by ENGINEER ordering an addition, deletion, or revision in the Work, or responding to differing or unforeseen subsurface or physical conditions under which the Work is to be performed or to emergencies. A Work Change Directive will not change the Contract Price or the Contract Times but is evidence that the parties expect that the change ordered or documented by a Work Change Directive will be incorporated in a subsequently issued Change Order following negotiations by the parties as to its effect, if any, on the Contract Price or Contract Times.

50. *Written Amendment*—A written statement modifying the Contract Documents, signed by OWNER and CONTRACTOR on or after the Effective Date of the Agreement and normally dealing with the nonengineering or nontechnical rather than strictly construction-related aspects of the Contract Documents.

1.02 Terminology

A. Intent of Certain Terms or Adjectives

1. Whenever in the Contract Documents the terms "as allowed," "as approved," or terms of like effect or import are used, or the adjectives "reasonable," "suitable," "acceptable," "proper," "satisfactory," or adjectives of like effect or import are used to describe an action or determination of ENGINEER as to the Work, it is intended that such action or determination will be solely to evaluate, in general, the completed Work for compliance with the requirements of and information in the Contract Documents and conformance with the design concept of the completed Project as a functioning whole as shown or indicated in the Contract Documents (unless there is a specific statement indicating otherwise). The use of any such term or adjective shall not be effective to assign to ENGINEER any duty or authority to supervise or direct the performance of the Work or any duty or authority to undertake responsibility contrary to the provisions of paragraph 9.10 or any other provision of the Contract Documents.

B. Day

1. The word "day" shall constitute a calendar day of 24 hours measured from midnight to the next midnight.

C. Defective

1. The word "defective," when modifying the word "Work," refers to Work that is unsatisfactory, faulty, or deficient in that it does not conform to the Contract Documents or does not meet the requirements of any inspection, reference standard, test, or approval referred to in the Contract Documents, or has been damaged prior to ENGINEER's recommendation of final payment (unless responsibility for the protection thereof has been assumed by OWNER at Substantial Completion in accordance with paragraph 14.04 or 14.05).

D. Furnish, Install, Perform, Provide

1. The word "furnish," when used in connection with services, materials, or equipment, shall mean to supply and deliver said services, materials, or equipment to the Site (or some other

specified location) ready for use or installation and in usable or operable condition.

2. The word "install," when used in connection with services, materials, or equipment, shall mean to put into use or place in final position said services, materials, or equipment complete and ready for intended use.

3. The words "perform" or "provide," when used in connection with services, materials, or equipment, shall mean to furnish and install said services, materials, or equipment complete and ready for intended use.

4. When "furnish," "install," "perform," or "provide" is not used in connection with services, materials, or equipment in a context clearly requiring an obligation of CONTRACTOR, "provide" is implied.

E. Unless stated otherwise in the Contract Documents, words or phrases which have a well-known technical or construction industry or trade meaning are used in the Contract Documents in accordance with such recognized meaning.

ARTICLE 2 - PRELIMINARY MATTERS

2.01 Delivery of Bonds

A. When CONTRACTOR delivers the executed Agreements to OWNER, CONTRACTOR shall also deliver to OWNER such Bonds as CONTRACTOR may be required to furnish.

2.02 Copies of Documents

A. OWNER shall furnish to CONTRACTOR up to ten copies of the Contract Documents. Additional copies will be furnished upon request at the cost of reproduction.

2.03 Commencement of Contract Times; Notice to Proceed

A. The Contract Times will commence to run on the thirtieth day after the Effective Date of the Agreement or, if a Notice to Proceed is given, on the day indicated in the Notice to Proceed. A Notice to Proceed may be given at any time within 30 days after the Effective Date of the Agreement. In no event will the Contract Times com-

mence to run later than the sixtieth day after the day of Bid opening or the thirtieth day after the Effective Date of the Agreement, whichever date is earlier.

2.04 *Starting the Work*

A. CONTRACTOR shall start to perform the Work on the date when the Contract Times commence to run. No Work shall be done at the Site prior to the date on which the Contract Times commence to run.

2.05 *Before Starting Construction*

A. *CONTRACTOR's Review of Contract Documents:* Before undertaking each part of the Work, CONTRACTOR shall carefully study and compare the Contract Documents and check and verify pertinent figures therein and all applicable field measurements. CONTRACTOR shall promptly report in writing to ENGINEER any conflict, error, ambiguity, or discrepancy which CONTRACTOR may discover and shall obtain a written interpretation or clarification from ENGINEER before proceeding with any Work affected thereby; however, CONTRACTOR shall not be liable to OWNER or ENGINEER for failure to report any conflict, error, ambiguity, or discrepancy in the Contract Documents unless CONTRACTOR knew or reasonably should have known thereof.

B. *Preliminary Schedules:* Within ten days after the Effective Date of the Agreement (unless otherwise specified in the General Requirements), CONTRACTOR shall submit to ENGINEER for its timely review:

1. a preliminary progress schedule indicating the times (numbers of days or dates) for starting and completing the various stages of the Work, including any Milestones specified in the Contract Documents;
2. a preliminary schedule of Shop Drawing and Sample submittals which will list each required submittal and the times for submitting, reviewing, and processing such submittal; and
3. a preliminary schedule of values for all of the Work which includes quantities and prices of items which when added together equal the Contract Price and subdivides the Work into

component parts in sufficient detail to serve as the basis for progress payments during performance of the Work. Such prices will include an appropriate amount of overhead and profit applicable to each item of Work.

C. *Evidence of Insurance:* Before any Work at the Site is started, CONTRACTOR and OWNER shall each deliver to the other, with copies to each additional insured identified in the Supplementary Conditions, certificates of insurance (and other evidence of insurance which either of them or any additional insured may reasonably request) which CONTRACTOR and OWNER respectively are required to purchase and maintain in accordance with Article 5.

2.06 *Preconstruction Conference*

A. Within 20 days after the Contract Times start to run, but before any Work at the Site is started, a conference attended by CONTRACTOR, ENGINEER, and others as appropriate will be held to establish a working understanding among the parties as to the Work and to discuss the schedules referred to in paragraph 2.05.B, procedures for handling Shop Drawings and other submittals, processing Applications for Payment, and maintaining required records.

2.07 *Initial Acceptance of Schedules*

A. Unless otherwise provided in the Contract Documents, at least ten days before submission of the first Application for Payment a conference attended by CONTRACTOR, ENGINEER, and others as appropriate will be held to review for acceptability to ENGINEER as provided below the schedules submitted in accordance with paragraph 2.05.B. CONTRACTOR shall have an additional ten days to make corrections and adjustments and to complete and resubmit the schedules. No progress payment shall be made to CONTRACTOR until acceptable schedules are submitted to ENGINEER.

1. The progress schedule will be acceptable to ENGINEER if it provides an orderly progression of the Work to completion within any specified Milestones and the Contract Times. Such acceptance will not impose on ENGINEER responsibility for the progress schedule, for sequencing, scheduling, or progress of the Work nor interfere with or relieve CONTRACTOR from CONTRACTOR's full responsibility therefor.

2. CONTRACTOR's schedule of Shop Drawing and Sample submittals will be acceptable to ENGINEER if it provides a workable arrangement for reviewing and processing the required submittals.

3. CONTRACTOR's schedule of values will be acceptable to ENGINEER as to form and substance if it provides a reasonable allocation of the Contract Price to component parts of the Work.

ARTICLE 3 - CONTRACT DOCUMENTS: INTENT, AMENDING, REUSE

3.01 *Intent*

A. The Contract Documents are complementary; what is called for by one is as binding as if called for by all.

B. It is the intent of the Contract Documents to describe a functionally complete Project (or part thereof) to be constructed in accordance with the Contract Documents. Any labor, documentation, services, materials, or equipment that may reasonably be inferred from the Contract Documents or from prevailing custom or trade usage as being required to produce the intended result will be provided whether or not specifically called for at no additional cost to OWNER.

C. Clarifications and interpretations of the Contract Documents shall be issued by ENGINEER as provided in Article 9.

3.02 *Reference Standards*

A. *Standards, Specifications, Codes, Laws, and Regulations*

1. Reference to standards, specifications, manuals, or codes of any technical society, organization, or association, or to Laws or Regulations, whether such reference be specific or by implication, shall mean the standard, specification, manual, code, or Laws or Regulations in effect at the time of opening of Bids (or on the Effective Date of the Agreement if there were no Bids), except as may be otherwise specifically stated in the Contract Documents.

2. No provision of any such standard, specification, manual or code, or any instruction of a Supplier shall be effective to change the duties or responsibilities of OWNER, CONTRACTOR, or ENGINEER, or any of their subcontractors, consultants, agents, or employees from those set forth in the Contract Documents, nor shall any such provision or instruction be effective to assign to OWNER, ENGINEER, or any of ENGINEER's Consultants, agents, or employees any duty or authority to supervise or direct the performance of the Work or any duty or authority to undertake responsibility inconsistent with the provisions of the Contract Documents.

3.03 *Reporting and Resolving Discrepancies*

A. *Reporting Discrepancies*

1. If, during the performance of the Work, CONTRACTOR discovers any conflict, error, ambiguity, or discrepancy within the Contract Documents or between the Contract Documents and any provision of any Law or Regulation applicable to the performance of the Work or of any standard, specification, manual or code, or of any instruction of any Supplier, CONTRACTOR shall report it to ENGINEER in writing at once. CONTRACTOR shall not proceed with the Work affected thereby (except in an emergency as required by paragraph 6.16.A) until an amendment or supplement to the Contract Documents has been issued by one of the methods indicated in paragraph 3.04; provided, however, that CONTRACTOR shall not be liable to OWNER or ENGINEER for failure to report any such conflict, error, ambiguity, or discrepancy unless CONTRACTOR knew or reasonably should have known thereof.

B. *Resolving Discrepancies*

1. Except as may be otherwise specifically stated in the Contract Documents, the provisions of the Contract Documents shall take precedence in resolving any conflict, error, ambiguity, or discrepancy between the provisions of the Contract Documents and:

a. the provisions of any standard, specification, manual, code, or instruction (whether or not specifically incorporated by reference in the Contract Documents); or

b. the provisions of any Laws or Regulations applicable to the performance of the Work (unless such an interpretation of the provisions of the Contract Documents would result in violation of such Law or Regulation).

3.04 *Amending and Supplementing Contract Documents*

A. The Contract Documents may be amended to provide for additions, deletions, and revisions in the Work or to modify the terms and conditions thereof in one or

B. The requirements of the Contract Documents may be supplemented, and minor variations and deviations in the Work may be authorized, by one or more of the following ways: (i) a Field Order; (ii) ENGINEER's approval of a Shop Drawing or Sample; or (iii) ENGINEER's written interpretation or clarification.

3.05 *Reuse of Documents*

A. CONTRACTOR and any Subcontractor or Supplier or other individual or entity performing or furnishing any of the Work under a direct or indirect contract with OWNER: (i) shall not have or acquire any title to or ownership rights in any of the Drawings, Specifications, or other documents (or copies of any thereof) prepared by or bearing the seal of ENGINEER or ENGINEER's Consultant, including electronic media editions; and (ii) shall not reuse any of such Drawings, Specifications, other documents, or copies thereof on extensions of the Project or any other project without written consent of OWNER and ENGINEER and specific written verification or adaption by ENGINEER. This prohibition will survive final payment, completion, and acceptance of the Work, or termination or completion of the Contract. Nothing herein shall preclude CONTRACTOR from retaining copies of the Contract Documents for record purposes.

ARTICLE 4 - AVAILABILITY OF LANDS; SUBSURFACE AND PHYSICAL CONDITIONS; REFERENCE POINTS

4.01 *Availability of Lands*

A. OWNER shall furnish the Site. OWNER shall notify CONTRACTOR of any encumbrances or

restrictions not of general application but specifically related to use of the Site with which CONTRACTOR must comply in performing the Work. OWNER will obtain in a timely manner and pay for easements for permanent structures or permanent changes in existing facilities. If CONTRACTOR and OWNER are unable to agree on entitlement to or on the amount or extent, if any, of any adjustment in the Contract Price or Contract Times, or both, as a result of any delay in OWNER's furnishing the Site, CONTRACTOR may make a Claim therefor as provided in paragraph 10.05.

B. Upon reasonable written request, OWNER shall furnish CONTRACTOR with a current statement of record legal title and legal description of the lands upon which the Work is to be performed and OWNER's interest therein as necessary for giving notice of or filing a mechanic's or construction lien against such lands in accordance with applicable Laws and Regulations.

C. CONTRACTOR shall provide for all additional lands and access thereto that may be required for temporary construction facilities or storage of materials and equipment.

4.02 *Subsurface and Physical Conditions*

A. *Reports and Drawings:* The Supplementary Conditions identify:

1. those reports of explorations and tests of subsurface conditions at or contiguous to the Site that ENGINEER has used in preparing the Contract Documents; and

2. those drawings of physical conditions in or relating to existing surface or subsurface structures at or contiguous to the Site (except Underground Facilities) that ENGINEER has used in preparing the Contract Documents.

B. *Limited Reliance by CONTRACTOR on Technical Data Authorized:* CONTRACTOR may rely upon the general accuracy of the "technical data" contained in such reports and drawings, but such reports and drawings are not Contract Documents. Such "technical data" is identified in the Supplementary Conditions. Except for such reliance on such "technical data," CONTRACTOR may not rely upon or make any Claim against OWNER, ENGINEER, or any of ENGINEER's Consultants with respect to:

1. the completeness of such reports and drawings for CONTRACTOR's purposes, includ-

ing, but not limited to, any aspects of the means, methods, techniques, sequences, and procedures of construction to be employed by CONTRACTOR, and safety precautions and programs incident thereto; or

2. other data, interpretations, opinions, and information contained in such reports or shown or indicated in such drawings; or

3. any CONTRACTOR interpretation of or conclusion drawn from any "technical data" or any such other data, interpretations, opinions, or information.

4.03 Differing Subsurface or Physical Conditions

A. *Notice:* If CONTRACTOR believes that any subsurface or physical condition at or contiguous to the Site that is uncovered or revealed either:

1. is of such a nature as to establish that any "technical data" on which CONTRACTOR is entitled to rely as provided in paragraph 4.02 is materially inaccurate; or

2. is of such a nature as to require a change in the Contract Documents; or

3. differs materially from that shown or indicated in the Contract Documents; or

4. is of an unusual nature, and differs materially from conditions ordinarily encountered and generally recognized as inherent in work of the character provided for in the Contract Documents; then CONTRACTOR shall, promptly after becoming aware thereof and before further disturbing the subsurface or physical conditions or performing any Work in connection therewith (except in an emergency as required by paragraph 6.16.A), notify OWNER and ENGINEER in writing about such condition. CONTRACTOR shall not further disturb such condition or perform any Work in connection therewith (except as aforesaid) until receipt of written order to do so.

B. *ENGINEER's Review:* After receipt of written notice as required by paragraph 4.03.A, ENGINEER will promptly review the pertinent condition, determine the

necessity of OWNER's obtaining additional exploration or tests with respect thereto, and advise OWNER in writing (with a copy to CONTRACTOR) of ENGINEER's findings and conclusions.

C. Possible Price and Times Adjustments

1. The Contract Price or the Contract Times, or both, will be equitably adjusted to the extent that the existence of such differing subsurface or physical condition causes an increase or decrease in CONTRACTOR's cost of, or time required for, performance of the Work; subject, however, to the following:

a. such condition must meet any one or more of the categories described in paragraph 4.03.A; and

b. with respect to Work that is paid for on a Unit Price Basis, any adjustment in Contract Price will be subject to the provisions of paragraphs 9.08 and 11.03.

2. CONTRACTOR shall not be entitled to any adjustment in the Contract Price or Contract Times if:

a. CONTRACTOR knew of the existence of such conditions at the time CONTRACTOR made a final commitment to OWNER in respect of Contract Price and Contract Times by the submission of a Bid or becoming bound under a negotiated contract; or

b. the existence of such condition could reasonably have been discovered or revealed as a result of any examination, investigation, exploration, test, or study of the Site and contiguous areas required by the Bidding Requirements or Contract Documents to be conducted by or for CONTRACTOR prior to CONTRACTOR's making such final commitment; or

c. CONTRACTOR failed to give the written notice within the time and as required by paragraph 4.03.A.

3. If OWNER and CONTRACTOR are unable to agree on entitlement to or on the amount or extent, if any, of any adjustment in the Contract Price or Contract Times, or both, a Claim may be

made therefor as provided in paragraph 10.05. However, OWNER, ENGINEER, and ENGINEER's Consultants shall not be liable to CONTRACTOR for any claims, costs, losses, or damages (including but not limited to all fees and charges of engineers, architects, attorneys, and other professionals and all court or arbitration or other dispute resolution costs) sustained by CONTRACTOR on or in connection with any other project or anticipated project.

4.04 *Underground Facilities*

A. *Shown or Indicated:* The information and data shown or indicated in the Contract Documents with respect to existing Underground Facilities at or contiguous to the Site is based on information and data furnished to OWNER or ENGINEER by the owners of such Underground Facilities, including OWNER, or by others. Unless it is otherwise expressly provided in the Supplementary Conditions:

1. OWNER and ENGINEER shall not be responsible for the accuracy or completeness of any such information or data; and

2. the cost of all of the following will be included in the Contract Price, and CONTRACTOR shall have full responsibility for:

a. reviewing and checking all such information and data,

b. locating all Underground Facilities shown or indicated in the Contract Documents,

c. coordination of the Work with the owners of such Underground Facilities, including OWNER, during construction, and

d. the safety and protection of all such Underground Facilities and repairing any damage thereto resulting from the Work.

B. *Not Shown or Indicated*

1. If an Underground Facility is uncovered or revealed at or contiguous to the Site which was not shown or indicated, or not shown or indicated with reasonable accuracy in the Contract Documents, CONTRACTOR shall, promptly after becoming aware thereof and before further disturbing conditions affected thereby or

performing any Work in connection therewith (except in an emergency as required by paragraph 6.16.A), identify the owner of such Underground Facility and give written notice to that owner and to OWNER and ENGINEER. ENGINEER will promptly review the Underground Facility and determine the extent, if any, to which a change is required in the Contract Documents to reflect and document the consequences of the existence or location of the Underground Facility. During such time, CONTRACTOR shall be responsible for the safety and protection of such Underground Facility.

2. If ENGINEER concludes that a change in the Contract Documents is required, a Work Change Directive or a Change Order will be issued to reflect and document such consequences. An equitable adjustment shall be made in the Contract Price of Contract Times, or both, to the extent that they are attributable to the existence or location of any Underground Facility that was not shown or indicated or not shown or indicated with reasonable accuracy in the Contract Documents and that CONTRACTOR did not know of and could not reasonably have been expected to be aware of or to have anticipated. If OWNER and CONTRACTOR are unable to agree on entitlement to or on the amount or extent, if any, of any such adjustment in Contract Price or Contract Times, OWNER or CONTRACTOR may make a Claim therefor as provided in paragraph 10.05.

4.05 *Reference Points*

A. OWNER shall provide engineering surveys to establish reference points for construction which in ENGINEER's judgment are necessary to enable CONTRACTOR to proceed with the Work. CONTRACTOR shall be responsible for laying out the Work, shall protect and preserve the established reference points and property monuments, and shall make no changes or relocations without the prior written approval of OWNER. CONTRACTOR shall report to ENGINEER whenever any reference point or property monument is lost or destroyed or requires relocation because of necessary changes in grades or locations, and shall be responsible for the accurate replacement or relocation of such reference points or property monuments by professionally qualified personnel.

4.06 *Hazardous Environmental Condition at Site*

A. *Reports and Drawings*: Reference is made to the Supplementary Conditions for the identification of those reports and drawings relating to a Hazardous Environmental Condition identified at the Site, if any, that have been utilized by the ENGINEER in the preparation of the Contract Documents.

B. *Limited Reliance by CONTRACTOR on Technical Data Authorized*: CONTRACTOR may rely upon the general accuracy of the "technical data" contained in such reports and drawings, but such reports and drawings are not Contract Documents. Such "technical data" is identified in the Supplementary Conditions. Except for such reliance on such "technical data," CONTRACTOR may not rely upon or make any Claim against OWNER, ENGINEER or any of ENGINEER's Consultants with respect to:

1. the completeness of such reports and drawings for CONTRACTOR's purposes, including, but not limited to, any aspects of the means, methods, techniques, sequences and procedures of construction to be employed by CONTRACTOR and safety precautions and programs incident thereto; or

2. other data, interpretations, opinions and information contained in such reports or shown or indicated in such drawings; or

3. any CONTRACTOR interpretation of or conclusion drawn from any "technical data" or any such other data, interpretations, opinions or information.

C. CONTRACTOR shall not be responsible for any Hazardous Environmental Condition uncovered or revealed at the Site which was not shown or indicated in Drawings or Specifications or identified in the Contract Documents to be within the scope of the Work. CONTRACTOR shall be responsible for a Hazardous Environmental Condition created with any materials brought to the Site by CONTRACTOR, Subcontractors, Suppliers, or anyone else for whom CONTRACTOR is responsible.

D. If CONTRACTOR encounters a Hazardous Environmental Condition or if CONTRACTOR or anyone for whom CONTRACTOR is responsible creates a Hazardous Environmental Condition, CONTRACTOR shall immediately: (i) secure or otherwise isolate such condition;

(ii) stop all Work in connection with such condition and in any area affected thereby (except in an emergency as required by paragraph 6.16); and (iii) notify OWNER and ENGINEER (and promptly thereafter confirm such notice in writing). OWNER shall promptly consult with ENGINEER concerning the necessity for OWNER to retain a qualified expert to evaluate such condition or take corrective action, if any.

E. CONTRACTOR shall not be required to resume Work in connection with such condition or in any affected area until after OWNER has obtained any required permits related thereto and delivered to CONTRACTOR written notice: (i) specifying that such condition and any affected area is or has been rendered safe for the resumption of Work; or (ii) specifying any special conditions under which such Work may be resumed safely. If OWNER and CONTRACTOR cannot agree as to entitlement to or on the amount or extent, if any, of any adjustment in Contract Price or Contract Times, or both, as a result of such Work stoppage or such special conditions under which Work is agreed to be resumed by CONTRACTOR, either party may make a Claim therefor as provided in paragraph 10.05.

F. If after receipt of such written notice CONTRACTOR does not agree to resume such Work based on a reasonable belief it is unsafe, or does not agree to resume such Work under such special conditions, then OWNER may order the portion of the Work that is in the area affected by such condition to be deleted from the Work. If OWNER and CONTRACTOR cannot agree as to entitlement to or on the amount or extent, if any, of an adjustment in Contract Price or Contract Times as a result of deleting such portion of the Work, then either party may make a Claim therefor as provided in paragraph 10.05. OWNER may have such deleted portion of the Work performed by OWNER's own forces or others in accordance with Article 7.

G. To the fullest extent permitted by Laws and Regulations, OWNER shall indemnify and hold harmless CONTRACTOR, Subcontractors, ENGINEER, ENGINEER's Consultants and the officers, directors, partners, employees, agents, other consultants, and subcontractors of each and any of them from and against all claims, costs, losses, and damages (including but not limited to all fees and charges of engineers, architects, attorneys, and other professionals and all court or arbitration or other dispute resolution costs) arising out of or relating to a Hazardous Environmental Condition, provided that such Hazardous Environmental Condition: (i) was not shown or indicated in the Drawings or

Specifications or identified in the Contract Documents to be included within the scope of the Work, and (ii) was not created by CONTRACTOR or by anyone for whom CONTRACTOR is responsible. Nothing in this paragraph 4.06.E shall obligate OWNER to indemnify any individual or entity from and against the consequences of that individual's or entity's own negligence.

H. To the fullest extent permitted by Laws and Regulations, CONTRACTOR shall indemnify and hold harmless OWNER, ENGINEER, ENGINEER's Consultants, and the officers, directors, partners, employees, agents, other consultants, and subcontractors of each and any of them from and against all claims, costs, losses, and damages (including but not limited to all fees and charges of engineers, architects, attorneys, and other professionals and all court or arbitration or other dispute resolution costs) arising out of or relating to a Hazardous Environmental Condition created by CONTRACTOR or by anyone for whom CONTRACTOR is responsible. Nothing in this paragraph 4.06.F shall obligate CONTRACTOR to indemnify any individual or entity from and against the consequences of that individual's or entity's own negligence.

I. The provisions of paragraphs 4.02, 4.03, and 4.04 are not intended to apply to a Hazardous Environmental Condition uncovered or revealed at the Site.

ARTICLE 5 - BONDS AND INSURANCE

5.01 *Performance, Payment, and Other Bonds*

A. CONTRACTOR shall furnish performance and payment Bonds, each in an amount at least equal to the Contract Price as security for the faithful performance and payment of all CONTRACTOR's obligations under the Contract Documents. These Bonds shall remain in effect at least until one year after the date when final payment becomes due, except as provided otherwise by Laws or Regulations or by the Contract Documents. CONTRACTOR shall also furnish such other Bonds as are required by the Contract Documents.

B. All Bonds shall be in the form prescribed by the Contract Documents except as provided otherwise by Laws or Regulations, and shall be executed by such sureties as are named in the current list of "Companies Holding Certificates of Authority as Acceptable Sureties on Federal Bonds and as Acceptable Reinsuring Compa-

nies" as published in Circular 570 (amended) by the Financial Management Service, Surety Bond Branch, U.S. Department of the Treasury. All Bonds signed by an agent must be accompanied by a certified copy of such agent's authority to act.

C. If the surety on any Bond furnished by CONTRACTOR is declared bankrupt or becomes insolvent or its right to do business is terminated in any state where any part of the Project is located or it ceases to meet the requirements of paragraph 5.01.B, CONTRACTOR shall within 20 days thereafter substitute another Bond and surety, both of which shall comply with the requirements of paragraphs 5.01.B and 5.02.

5.02 *Licensed Sureties and Insurers*

A. All Bonds and insurance required by the Contract Documents to be purchased and maintained by OWNER or CONTRACTOR shall be obtained from surety or insurance companies that are duly licensed or authorized in the jurisdiction in which the Project is located to issue Bonds or insurance policies for the limits and coverages so required. Such surety and insurance companies shall also meet such additional requirements and qualifications as may be provided in the Supplementary Conditions.

5.03 *Certificates of Insurance*

A. CONTRACTOR shall deliver to OWNER, with copies to each additional insured identified in the Supplementary Conditions, certificates of insurance (and other evidence of insurance requested by OWNER or any other additional insured) which CONTRACTOR is required to purchase and maintain. OWNER shall deliver to CONTRACTOR, with copies to each additional insured identified in the Supplementary Conditions, certificates of insurance (and other evidence of insurance requested by CONTRACTOR or any other additional insured) which OWNER is required to purchase and maintain.

5.04 *CONTRACTOR's Liability Insurance*

A. CONTRACTOR shall purchase and maintain such liability and other insurance as is appropriate for the Work being performed and as will provide protection from claims set forth below which may arise out of or result from CONTRACTOR's performance of the Work and CONTRACTOR's other obligations under the Contract Documents, whether it is to be performed by CONTRACTOR, any Subcontractor or Supplier, or by anyone directly or indirectly employed by any of them to

perform any of the Work, or by anyone for whose acts any of them may be liable:

1. claims under workers' compensation, disability benefits, and other similar employee benefit acts;

2. claims for damages because of bodily injury, occupational sickness or disease, or death of CONTRACTOR's employees;

3. claims for damages because of bodily injury, sickness or disease, or death of any person other than CONTRACTOR's employees;

4. claims for damages insured by reasonably available personal injury liability coverage which are sustained: (i) by any person as a result of an offense directly or indirectly related to the employment of such person by CONTRACTOR, or (ii) by any other person for any other reason;

5. claims for damages, other than to the Work itself, because of injury to or destruction of tangible property wherever located, including loss of use resulting therefrom; and

6. claims for damages because of bodily injury or death of any person or property damage arising out of the ownership, maintenance or use of any motor vehicle.

B. The policies of insurance so required by this paragraph 5.04 to be purchased and maintained shall:

1. with respect to insurance required by paragraphs 5.04.A.3 through 5.04.A.6 inclusive, include as additional insureds (subject to any customary exclusion in respect of professional liability) OWNER, ENGINEER, ENGINEER's Consultants, and any other individuals or entities identified in the Supplementary Conditions, all of whom shall be listed as additional insureds, and include coverage for the respective officers, directors, partners, employees, agents, and other consultants and subcontractors of each and any of all such additional insureds, and the insurance afforded to these additional insureds shall provide primary coverage for all claims covered thereby;

2. include at least the specific coverages and be written for not less than the limits of liability provided in the Supplementary Conditions or required by Laws or Regulations, whichever is greater;

3. include completed operations insurance;

4. include contractual liability insurance covering CONTRACTOR's indemnity obligations under paragraphs 6.07, 6.11, and 6.20;

5. contain a provision or endorsement that the coverage afforded will not be canceled, materially changed or renewal refused until at least thirty days prior written notice has been given to OWNER and CONTRACTOR and to each other additional insured identified in the Supplementary Conditions to whom a certificate of insurance has been issued (and the certificates of insurance furnished by the CONTRACTOR pursuant to paragraph 5.03 will so provide);

6. remain in effect at least until final payment and at all times thereafter when CONTRACTOR may be correcting, removing, or replacing defective Work in accordance with paragraph 13.07; and

7. with respect to completed operations insurance, and any insurance coverage written on a claims-made basis, remain in effect for at least two years after final payment (and CONTRACTOR shall furnish OWNER and each other additional insured identified in the Supplementary Conditions, to whom a certificate of insurance has been issued, evidence satisfactory to OWNER and any such additional insured of continuation of such insurance at final payment and one year thereafter).

5.05 *OWNER's Liability Insurance*

A. In addition to the insurance required to be provided by CONTRACTOR under paragraph 5.04, OWNER, at OWNER's option, may purchase and maintain at OWNER's expense OWNER's own liability insurance as will protect OWNER against claims which may arise from operations under the Contract Documents.

5.06 *Property Insurance*

A. Unless otherwise provided in the Supplementary Conditions, OWNER shall purchase and maintain property

insurance upon the Work at the Site in the amount of the full replacement cost thereof (subject to such deductible amounts as may be provided in the Supplementary Conditions or required by Laws and Regulations). This insurance shall:

1. include the interests of OWNER, CONTRACTOR, Subcontractors, ENGINEER, ENGINEER's Consultants, and any other individuals or entities identified in the Supplementary Conditions, and the officers, directors, partners, employees, agents, and other consultants and subcontractors of each and any of them, each of whom is deemed to have an insurable interest and shall be listed as an additional insured;

2. be written on a Builder's Risk "all-risk" or open peril or special causes of loss policy form that shall at least include insurance for physical loss or damage to the Work, temporary buildings, false work, and materials and equipment in transit, and shall insure against at least the following perils or causes of loss: fire, lightning, extended coverage, theft, vandalism and malicious mischief, earthquake, collapse, debris removal, demolition occasioned by enforcement of Laws and Regulations, water damage, and such other perils or causes of loss as may be specifically required by the Supplementary Conditions;

3. include expenses incurred in the repair or replacement of any insured property (including but not limited to fees and charges of engineers and architects);

4. cover materials and equipment stored at the Site or at another location that was agreed to in writing by OWNER prior to being incorporated in the Work, provided that such materials and equipment have been included in an Application for Payment recommended by ENGINEER;

5. allow for partial utilization of the Work by OWNER;

6. include testing and startup; and

7. be maintained in effect until final payment is made unless otherwise agreed to in writing by OWNER, CONTRACTOR, and ENGINEER with

30 days written notice to each other additional insured to whom a certificate of insurance has been issued.

B. OWNER shall purchase and maintain such boiler and machinery insurance or additional property insurance as may be required by the Supplementary Conditions or Laws and Regulations which will include the interests of OWNER, CONTRACTOR, Subcontractors, ENGINEER, ENGINEER's Consultants, and any other individuals or entities identified in the Supplementary Conditions, each of whom is deemed to have an insurable interest and shall be listed as an insured or additional insured.

C. All the policies of insurance (and the certificates or other evidence thereof) required to be purchased and maintained in accordance with paragraph 5.06 will contain a provision or endorsement that the coverage afforded will not be canceled or materially changed or renewal refused until at least 30 days prior written notice has been given to OWNER and CONTRACTOR and to each other additional insured to whom a certificate of insurance has been issued and will contain waiver provisions in accordance with paragraph 5.07.

D. OWNER shall not be responsible for purchasing and maintaining any property insurance specified in this paragraph 5.06 to protect the interests of CONTRACTOR, Subcontractors, or others in the Work to the extent of any deductible amounts that are identified in the Supplementary Conditions. The risk of loss within such identified deductible amount will be borne by CONTRACTOR, Subcontractors, or others suffering any such loss, and if any of them wishes property insurance coverage within the limits of such amounts, each may purchase and maintain it at the purchaser's own expense.

E. If CONTRACTOR requests in writing that other special insurance be included in the property insurance policies provided under paragraph 5.06, OWNER shall, if possible, include such insurance, and the cost thereof will be charged to CONTRACTOR by appropriate Change Order or Written Amendment. Prior to commencement of the Work at the Site, OWNER shall in writing advise CONTRACTOR whether or not such other insurance has been procured by OWNER.

5.07 Waiver of Rights

A. OWNER and CONTRACTOR intend that all policies purchased in accordance with paragraph 5.06 will protect OWNER, CONTRACTOR, Subcontractors, ENGINEER, ENGINEER's Consultants, and all other

individuals or entities identified in the Supplementary Conditions to be listed as insureds or additional insureds (and the officers, directors, partners, employees, agents, and other consultants and subcontractors of each and any of them) in such policies and will provide primary coverage for all losses and damages caused by the perils or causes of loss covered thereby. All such policies shall contain provisions to the effect that in the event of payment of any loss or damage the insurers will have no rights of recovery against any of the insureds or additional insureds thereunder. OWNER and CONTRACTOR waive all rights against each other and their respective officers, directors, partners, employees, agents, and other consultants and subcontractors of each and any of them for all losses and damages caused by, arising out of or resulting from any of the perils or causes of loss covered by such policies and any other property insurance applicable to the Work; and, in addition, waive all such rights against Subcontractors, ENGINEER, ENGINEER's Consultants, and all other individuals or entities identified in the Supplementary Conditions to be listed as insureds or additional insureds (and the officers, directors, partners, employees, agents, and other consultants and subcontractors of each and any of them) under such policies for losses and damages so caused.

None of the above waivers shall extend to the rights that any party making such waiver may have to the proceeds of insurance held by OWNER as trustee or otherwise payable under any policy so issued.

B. OWNER waives all rights against CONTRACTOR, Subcontractors, ENGINEER, ENGINEER's Consultants, and the officers, directors, partners, employees, agents, and other consultants and subcontractors of each and any of them for:

1. loss due to business interruption, loss of use, or other consequential loss extending beyond direct physical loss or damage to OWNER's property or the Work caused by, arising out of, or resulting from fire or other peril whether or not insured by OWNER; and

2. loss or damage to the completed Project or part thereof caused by, arising out of, or resulting from fire or other insured peril or cause of loss covered by any property insurance maintained on the completed Project or part thereof by OWNER during partial utilization pursuant to

paragraph 14.05, after Substantial Completion pursuant to paragraph 14.04, or after final payment pursuant to paragraph 14.07.

C. Any insurance policy maintained by OWNER covering any loss, damage or consequential loss referred to in paragraph 5.07.B shall contain provisions to the effect that in the event of payment of any such loss, damage, or consequential loss, the insurers will have no rights of recovery against CONTRACTOR, Subcontractors, ENGINEER, or ENGINEER's Consultants and the officers, directors, partners, employees, agents, and other consultants and subcontractors of each and any of them.

5.08 *Receipt and Application of Insurance Proceeds*

A.* Any insured loss under the policies of insurance required by paragraph 5.06 will be adjusted with OWNER and made payable to OWNER as fiduciary for the insureds, as their interests may appear, subject to the requirements of any applicable mortgage clause and of paragraph 5.08.B. OWNER shall deposit in a separate account any money so received and shall distribute it in accordance with such agreement as the parties in interest may reach. If no other special agreement is reached, the damaged Work shall be repaired or replaced, the moneys so received applied on account thereof, and the Work and the cost thereof covered by an appropriate Change Order or Written Amendment.

B. OWNER as fiduciary shall have power to adjust and settle any loss with the insurers unless one of the parties in interest shall object in writing within 15 days after the occurrence of loss to OWNER's exercise of this power. If such objection be made, OWNER as fiduciary shall make settlement with the insurers in accordance with such agreement as the parties in interest may reach. If no such agreement among the parties in interest is reached, OWNER as fiduciary shall adjust and settle the loss with the insurers and, if required in writing by any party in interest, OWNER as fiduciary shall give bond for the proper performance of such duties.

5.09 *Acceptance of Bonds and Insurance; Option to Replace*

A.* If either OWNER or CONTRACTOR has any objection to the coverage afforded by or other provisions of the Bonds or insurance required to be purchased and maintained by the other party in accordance with Article 5 on the basis of non-conformance with the Contract Documents, the objecting party shall so notify the other party in writing within 10 days after receipt of the

certificates (or other evidence requested) required by paragraph 2.05.C. OWNER and CONTRACTOR shall each provide to the other such additional information in respect of insurance provided as the other may reasonably request. If either party does not purchase or maintain all of the Bonds and insurance required of such party by the Contract Documents, such party shall notify the other party in writing of such failure to purchase prior to the start of the Work, or of such failure to maintain prior to any change in the required coverage. Without prejudice to any other right or remedy, the other party may elect to obtain equivalent Bonds or insurance to protect such other party's interests at the expense of the party who was required to provide such coverage, and a Change Order shall be issued to adjust the Contract Price accordingly.

5.10 *Partial Utilization, Acknowledgment of Property Insurer*

A. If OWNER finds it necessary to occupy or use a portion or portions of the Work prior to Substantial Completion of all the Work as provided in paragraph 14.05, no such use or occupancy shall commence before the insurers providing the property insurance pursuant to paragraph 5.06 have acknowledged notice thereof and in writing effected any changes in coverage necessitated thereby. The insurers providing the property insurance shall consent by endorsement on the policy or policies, but the property insurance shall not be canceled or permitted to lapse on account of any such partial use or occupancy.

ARTICLE 6 - CONTRACTOR'S RESPONSIBILITIES

6.01 *Supervision and Superintendence*

A. CONTRACTOR shall supervise, inspect, and direct the Work competently and efficiently, devoting such attention thereto and applying such skills and expertise as may be necessary to perform the Work in accordance with

the Contract Documents. CONTRACTOR shall be solely responsible for the means, methods, techniques, sequences, and procedures of construction, but CONTRACTOR shall not be responsible for the negligence of OWNER or ENGINEER in the design or specification of a specific means, method, technique, sequence, or procedure of

construction which is shown or indicated in and expressly required by the Contract Documents. CONTRACTOR shall be responsible to see that the completed Work complies accurately with the Contract Documents.

B. At all times during the progress of the Work, CONTRACTOR shall assign a competent resident superintendent thereto who shall not be replaced without written notice to OWNER and ENGINEER except under extraordinary circumstances. The superintendent will be CONTRACTOR's representative at the Site and shall have authority to act on behalf of CONTRACTOR. All communications given to or received from the superintendent shall be binding on CONTRACTOR.

6.02 *Labor; Working Hours*

A. CONTRACTOR shall provide competent, suitably qualified personnel to survey, lay out, and construct the

Work as required by the Contract Documents. CONTRACTOR shall at all times maintain good discipline and order at the Site.

B. Except as otherwise required for the safety or protection of persons or the Work or property at the Site or adjacent thereto, and except as otherwise stated in the Contract Documents, all Work at the Site shall be performed during regular working hours, and CONTRACTOR will not permit overtime work or the performance of Work on Saturday, Sunday, or any legal holiday without OWNER's written consent (which will not be unreasonably withheld) given after prior written notice to ENGINEER.

6.03 *Services, Materials, and Equipment*

A. Unless otherwise specified in the General Requirements, CONTRACTOR shall provide and assume full responsibility for all services, materials, equipment, labor, transportation, construction equipment and machinery, tools, appliances, fuel, power, light, heat, telephone, water, sanitary facilities, temporary facilities, and all other facilities and incidentals necessary for the performance, testing, start-up, and completion of the Work.

B. All materials and equipment incorporated into the Work shall be as specified or, if not specified, shall be of good quality and new, except as otherwise provided in the Contract Documents. All warranties and guarantees specifically called for by the Specifications shall expressly

run to the benefit of OWNER. If required by ENGINEER, CONTRACTOR shall furnish satisfactory evidence (including reports of required tests) as to the source, kind, and quality of materials and equipment. All materials and equipment shall be stored, applied, installed, connected, erected, protected, used, cleaned, and conditioned in accordance with instructions of the applicable Supplier, except as otherwise may be provided in the Contract Documents.

6.04 *Progress Schedule*

A. CONTRACTOR shall adhere to the progress schedule established in accordance with paragraph 2.07 as it may be adjusted from time to time as provided below.

1. CONTRACTOR shall submit to ENGINEER for acceptance (to the extent indicated in paragraph 2.07) proposed adjustments in the progress schedule that will not result in changing the Contract Times (or Milestones). Such adjustments will conform generally to the progress schedule then in effect and additionally will comply with any provisions of the General Requirements applicable thereto.

2. Proposed adjustments in the progress schedule that will change the Contract Times (or Milestones) shall be submitted in accordance with the requirements of Article 12. Such adjustments may only be made by a Change Order or Written Amendment in accordance with Article 12.

6.05 *Substitutes and "Or-Equals"*

A. Whenever an item of material or equipment is specified or described in the Contract Documents by using the name of a proprietary item or the name of a particular Supplier, the specification or description is intended to establish the type, function, appearance, and quality required. Unless the specification or description contains or is followed by words reading that no like, equivalent, or "or-equal" item or no substitution is permitted, other items of material or equipment or material or equipment of other Suppliers may be submitted to ENGINEER for review under the circumstances described below.

1. *"Or-Equal" Items:* If in ENGINEER's sole discretion an item of material or equipment proposed by CONTRACTOR is functionally equal to that named and sufficiently similar so that no change in related Work will be required, it may be

considered by ENGINEER as an "or-equal" item, in which case review and approval of the proposed item may, in ENGINEER's sole discretion, be accomplished without compliance with some or all of the requirements for approval of proposed substitute items. For the purposes of this paragraph 6.05.A.1, a proposed item of material or equipment will be considered functionally equal to an item so named if:

a. in the exercise of reasonable judgment ENGINEER determines that: (i) it is at least equal in quality, durability, appearance, strength, and design characteristics; (ii) it will reliably perform at least equally well the function imposed by the design concept of the completed Project as a functioning whole, and;

b. CONTRACTOR certifies that: (i) there is no increase in cost to the OWNER; and (ii) it will conform substantially, even with deviations, to the detailed requirements of the item named in the Contract Documents.

2. *Substitute Items*

a. If in ENGINEER's sole discretion an item of material or equipment proposed by CONTRACTOR does not qualify as an "or-equal" item under paragraph 6.05.A.1, it will be considered a proposed substitute item.

b. CONTRACTOR shall submit sufficient information as provided below to allow ENGINEER to determine that the item of material or equipment proposed is essentially equivalent to that named and an acceptable substitute therefor. Requests for review of proposed substitute items of material or equipment will not be accepted by ENGINEER from anyone other than CONTRACTOR.

c. The procedure for review by ENGINEER will be as set forth in paragraph 6.05.A.2.d, as supplemented in the General Requirements and as ENGINEER may decide is appropriate under the circumstances.

d. CONTRACTOR shall first make written application to ENGINEER for review of a proposed substitute item of material or equipment that CONTRACTOR seeks to furnish or use. The application shall certify

that the proposed substitute item will perform adequately the functions and achieve the results called for by the general design, be similar in substance to that specified, and be suited to the same use as that specified. The application will state the extent, if any, to which the use of the proposed substitute item will prejudice CONTRACTOR's achievement of Substantial Completion on time, whether or not use of the proposed substitute item in the Work will require a change in any of the Contract Documents (or in the provisions of any other direct contract with OWNER for work on the Project) to adapt the design to the proposed substitute item and whether or not incorporation or use of the proposed substitute item in connection with the Work is subject to payment of any license fee or royalty. All variations of the proposed substitute item from that specified will be identified in the application, and available engineering, sales, maintenance, repair, and replacement services will be indicated. The application will also contain an itemized estimate of all costs or credits that will result directly or indirectly from use of such substitute item, including costs of redesign and claims of other contractors affected by any resulting change, all of which will be considered by ENGINEER in evaluating the proposed substitute item. ENGINEER may require CONTRACTOR to furnish additional data about the proposed substitute item.

B. *Substitute Construction Methods or Procedures:*

If a specific means, method, technique, sequence, or procedure of construction is shown or indicated in and expressly required by the Contract Documents, CONTRACTOR may furnish or utilize a substitute means, method, technique, sequence, or procedure of construction approved by ENGINEER. CONTRACTOR shall submit sufficient information to allow ENGINEER, in ENGINEER's sole discretion, to determine that the substitute proposed is equivalent to that expressly called for by the Contract Documents. The procedure for review by ENGINEER will be similar to that provided in subparagraph 6.05.A.2.

C. *Engineer's Evaluation:* ENGINEER will be allowed a reasonable time within which to evaluate each proposal or submittal made pursuant to paragraphs 6.05.A and 6.05.B. ENGINEER will be the sole judge of acceptability. No "or-equal" or substitute will be ordered, installed or utilized until ENGINEER's review is complete, which will be evidenced by either a Change Order for a

substitute or an approved Shop Drawing for an "or equal." ENGINEER will advise CONTRACTOR in writing of any negative determination.

D. *Special Guarantee:* OWNER may require CONTRACTOR to furnish at CONTRACTOR's expense a special performance guarantee or other surety with respect to any substitute.

E. *ENGINEER's Cost Reimbursement:* ENGINEER will record time required by ENGINEER and ENGINEER's Consultants in evaluating substitute proposed or submitted by CONTRACTOR pursuant to paragraphs 6.05.A.2 and 6.05.B and in making changes in the Contract Documents (or in the provisions of any other direct contract with OWNER for work on the Project) occasioned thereby. Whether or not ENGINEER approves a substitute item so proposed or submitted by CONTRACTOR, CONTRACTOR shall reimburse OWNER for the charges of ENGINEER and ENGINEER's Consultants for evaluating each such proposed substitute.

F. *CONTRACTOR's Expense:* CONTRACTOR shall provide all data in support of any proposed substitute or "or-equal" at CONTRACTOR's expense.

6.06 *Concerning Subcontractors, Suppliers, and Others*

A. CONTRACTOR shall not employ any Subcontractor, Supplier, or other individual or entity (including those acceptable to OWNER as indicated in paragraph 6.06.B), whether initially or as a replacement, against whom OWNER may have reasonable objection. CONTRACTOR shall not be required to employ any Subcontractor, Supplier, or other individual or entity to furnish or perform any of the Work against whom CONTRACTOR has reasonable objection.

B. If the Supplementary Conditions require the identity of certain Subcontractors, Suppliers, or other individuals or entities to be submitted to OWNER in advance for acceptance by OWNER by a specified date prior to the Effective Date of the Agreement, and if CONTRACTOR has submitted a list thereof in accordance with the Supplementary Conditions, OWNER's acceptance (either in writing or by failing to make written objection thereto by the date indicated for acceptance or objection in the Bidding Documents or the Contract Documents) of any such Subcontractor, Supplier, or other individual or entity so identified may be revoked on the basis of reasonable objection after due investigation. CONTRACTOR shall submit an acceptable replacement

for the rejected Subcontractor, Supplier, or other individual or entity, and the Contract Price will be adjusted by the difference in the cost occasioned by such replacement, and an appropriate Change Order will be issued or Written Amendment signed. No acceptance by OWNER of any such Subcontractor, Supplier, or other individual or entity, whether initially or as a replacement, shall constitute a waiver of any right of OWNER or ENGINEER to reject defective Work.

C. CONTRACTOR shall be fully responsible to OWNER and ENGINEER for all acts and omissions of the Subcontractors, Suppliers, and other individuals or entities performing or furnishing any of the Work just as CONTRACTOR is responsible for CONTRACTOR's own acts and omissions. Nothing in the Contract Documents shall create for the benefit of any such Subcontractor, Supplier, or other individual or entity any contractual relationship between OWNER or ENGINEER and any such Subcontractor, Supplier or other individual or entity, nor shall it create any obligation on the part of OWNER or ENGINEER to pay or to see to the payment of any moneys due any such Subcontractor, Supplier, or other individual or entity except as may otherwise be required by Laws and Regulations.

D. CONTRACTOR shall be solely responsible for scheduling and coordinating the Work of Subcontractors, Suppliers, and other individuals or entities performing or furnishing any of the Work under a direct or indirect contract with CONTRACTOR.

E. CONTRACTOR shall require all Subcontractors, Suppliers, and such other individuals or entities performing or furnishing any of the Work to communicate with ENGINEER through CONTRACTOR.

F. The divisions and sections of the Specifications and the identifications of any Drawings shall not control CONTRACTOR in dividing the Work among Subcontractors or Suppliers or delineating the Work to be performed by any specific trade.

G. All Work performed for CONTRACTOR by a Subcontractor or Supplier will be pursuant to an appropriate agreement between CONTRACTOR and the Subcontractor or Supplier which specifically binds the Subcontractor or Supplier to the applicable terms and conditions of the Contract Documents for the benefit of OWNER and ENGINEER. Whenever any such agreement is with a Subcontractor or Supplier who is listed as an additional insured on the property insurance provided in paragraph 5.06, the agreement between the CONTRAC-

TOR and the Subcontractor or Supplier will contain provisions whereby the Subcontractor or Supplier waives all rights against OWNER, CONTRACTOR, ENGINEER, ENGINEER's Consultants, and all other individuals or entities identified in the Supplementary Conditions to be listed as insureds or additional insureds (and the officers, directors, partners, employees, agents, and other consultants and subcontractors of each and any of them) for all losses and damages caused by, arising out of, relating to, or resulting from any of the perils or causes of loss covered by such policies and any other property insurance applicable to the Work. If the insurers on any such policies require separate waiver forms to be signed by any Subcontractor or Supplier, CONTRACTOR will obtain the same.

6.07 *Patent Fees and Royalties*

A. CONTRACTOR shall pay all license fees and royalties and assume all costs incident to the use in the performance of the Work or the incorporation in the Work of any invention, design, process, product, or device which is the subject of patent rights or copyrights held by others. If a particular invention, design, process, product, or device is specified in the Contract Documents for use in the performance of the Work and if to the actual knowledge of OWNER or ENGINEER its use is subject to patent rights or copyrights calling for the payment of any license fee or royalty to others, the existence of such rights shall be disclosed by OWNER in the Contract Documents. To the fullest extent permitted by Laws and Regulations, CONTRACTOR shall indemnify and hold harmless OWNER, ENGINEER, ENGINEER's Consultants, and the officers, directors, partners, employees or agents, and other consultants of each and any of them from and against all claims, costs, losses, and damages (including but not limited to all fees and charges of engineers, architects, attorneys, and other professionals and all court or arbitration or other dispute resolution costs) arising out of or relating to any infringement of patent rights or copyrights incident to the use in the performance of the Work or resulting from the incorporation in the Work of any invention, design, process, product, or device not specified in the Contract Documents.

6.08 *Permits*

A. Unless otherwise provided in the Supplementary Conditions, CONTRACTOR shall obtain and pay for all construction permits and licenses. OWNER shall assist CONTRACTOR, when necessary, in obtaining such permits and licenses. CONTRACTOR shall pay all governmental charges and inspection fees necessary for

the prosecution of the Work which are applicable at the time of opening of Bids, or, if there are no Bids, on the Effective Date of the Agreement. CONTRACTOR shall pay all charges of utility owners for connections to the Work, and OWNER shall pay all charges of such utility owners for capital costs related thereto, such as plant investment fees.

6.09 *Laws and Regulations*

A. CONTRACTOR shall give all notices and comply with all Laws and Regulations applicable to the performance of the Work. Except where otherwise expressly required by applicable Laws and Regulations, neither OWNER nor ENGINEER shall be responsible for monitoring CONTRACTOR's compliance with any Laws or Regulations.

B. If CONTRACTOR performs any Work knowing or having reason to know that it is contrary to Laws or Regulations, CONTRACTOR shall bear all claims, costs, losses, and damages (including but not limited to all fees and charges of engineers, architects, attorneys, and other professionals and all court or arbitration or other dispute resolution costs) arising out of or relating to such Work; however, it shall not be CONTRACTOR's primary responsibility to make certain that the Specifications and Drawings are in accordance with Laws and Regulations, but this shall not relieve CONTRACTOR of CONTRACTOR's obligations under paragraph 3.03.

C. Changes in Laws or Regulations not known at the time of opening of Bids (or, on the Effective Date of the Agreement if there were no Bids) having an effect on the cost or time of performance of the Work may be the subject of an adjustment in Contract Price or Contract Times. If OWNER and CONTRACTOR are unable to agree on entitlement to or on the amount or extent, if any, of any such adjustment, a Claim may be made therefor as provided in paragraph 10.05.

6.10 *Taxes*

A. CONTRACTOR shall pay all sales, consumer, use, and other similar taxes required to be paid by CONTRACTOR in accordance with the Laws and Regulations of the place of the Project which are applicable during the performance of the Work.

6.11 *Use of Site and Other Areas*

A. *Limitation on Use of Site and Other Areas*

1. CONTRACTOR shall confine construction equipment, the storage of materials and equipment, and the operations of workers to the Site and other areas permitted by Laws and Regulations,

and shall not unreasonably encumber the Site and other areas with construction equipment or other materials or equipment. CONTRACTOR shall assume full responsibility for any damage to any such land or area, or to the owner or occupant thereof, or of any adjacent land or areas resulting from the performance of the Work.

2. Should any claim be made by any such owner or occupant because of the performance of the Work, CONTRACTOR shall promptly settle with such other party by negotiation or otherwise resolve the claim by arbitration or other dispute resolution proceeding or at law.

3. To the fullest extent permitted by Laws and Regulations, CONTRACTOR shall indemnify and hold harmless OWNER, ENGINEER, ENGINEER's Consultant, and the officers, directors, partners, employees, agents, and other consultants of each and any of them from and against all claims, costs, losses, and damages (including but not limited to all fees and charges of engineers, architects, attorneys, and other professionals and all court or arbitration or other dispute resolution costs) arising out of or relating to any claim or action, legal or equitable, brought by any such owner or occupant against OWNER, ENGINEER, or any other party indemnified hereunder to the extent caused by or based upon CONTRACTOR's performance of the Work.

B. *Removal of Debris During Performance of the Work:* During the progress of the Work CONTRACTOR shall keep the Site and other areas free from accumulations of waste materials, rubbish, and other debris. Removal and disposal of such waste materials, rubbish, and other debris shall conform to applicable Laws and Regulations.

C. *Cleaning*: Prior to Substantial Completion of the Work CONTRACTOR shall clean the Site and make it ready for utilization by OWNER. At the completion of the Work CONTRACTOR shall remove from the Site all tools, appliances, construction equipment and machinery, and surplus materials and shall restore to original condition all property not designated for alteration by the Contract Documents.

D. *Loading Structures*: CONTRACTOR shall not load nor permit any part of any structure to be loaded in any manner that will endanger the structure, nor shall CONTRACTOR subject any part of the Work or adjacent property to stresses or pressures that will endanger it.

6.12 *Record Documents*

A. CONTRACTOR shall maintain in a safe place at the Site one record copy of all Drawings, Specifications, Addenda, Written Amendments, Change Orders, Work Change Directives, Field Orders, and written interpretations and clarifications in good order and annotated to show changes made during construction. These record documents together with all approved Samples and a counterpart of all approved Shop Drawings will be available to ENGINEER for reference. Upon completion of the Work, these record documents, Samples, and Shop Drawings will be delivered to ENGINEER for OWNER.

6.13 *Safety and Protection*

A. CONTRACTOR shall be solely responsible for initiating, maintaining and supervising all safety precautions and programs in connection with the Work. CONTRACTOR shall take all necessary precautions for the safety of, and shall provide the necessary protection to prevent damage, injury or loss to:

1. all persons on the Site or who may be affected by the Work;
2. all the Work and materials and equipment to be incorporated therein, whether in storage on or off the Site; and
3. other property at the Site or adjacent thereto, including trees, shrubs, lawns, walks, pavements, roadways, structures, utilities, and Underground Facilities not designated for removal, relocation, or replacement in the course of construction.

B. CONTRACTOR shall comply with all applicable Laws and Regulations relating to the safety of persons or property, or to the protection of persons or property from damage, injury, or loss; and shall erect and maintain all necessary safeguards for such safety and protection. CONTRACTOR shall notify owners of adjacent property and of Underground Facilities and other utility owners when prosecution of the Work may affect them, and shall cooperate with them in the protection, removal, relocation, and replacement of their property. All damage, injury, or loss to any property referred to in paragraph 6.13.A.2 or 6.13.A.3 caused, directly or indirectly, in whole or in part, by CONTRACTOR, any Subcontractor, Supplier, or any other individual or entity directly or indirectly employed by any of them to perform any of the Work, or anyone for whose acts any of them may be liable, shall be remedied by CONTRACTOR (except damage or loss attributable to the fault of Drawings or Specifications or to the acts or omissions of OWNER or ENGINEER or ENGINEER's Consultant, or anyone employed by any of them, or anyone for whose acts any of them may be liable, and not attributable, directly or indirectly, in whole or in part, to the fault or negligence of CONTRACTOR or any Subcontractor, Supplier, or other individual or entity directly or indirectly employed by any of them). CONTRACTOR's duties and responsibilities for safety and for protection of the Work shall continue until such time as all the Work is completed and ENGINEER has issued a notice to OWNER and CONTRACTOR in accordance with paragraph 14.07.B that the Work is acceptable (except as otherwise expressly provided in connection with Substantial Completion).

6.14 *Safety Representative*

A. CONTRACTOR shall designate a qualified and experienced safety representative at the Site whose duties and responsibilities shall be the prevention of accidents and the maintaining and supervising of safety precautions and programs.

6.15 *Hazard Communication Programs*

A. CONTRACTOR shall be responsible for coordinating any exchange of material safety data sheets or other hazard communication information required to be made available to or exchanged between or among employers at the Site in accordance with Laws or Regulations.

6.16 *Emergencies*

A. In emergencies affecting the safety or protection of persons or the Work or property at the Site or adjacent thereto, CONTRACTOR is obligated to act to prevent threatened damage, injury, or loss. CONTRACTOR shall give ENGINEER prompt written notice if CONTRACTOR believes that any significant changes in the Work or variations from the Contract Documents have been caused thereby or are required as a result thereof. If ENGINEER determines that a change in the Contract Documents is required because of the action taken by CONTRACTOR in response to such an emergency, a Work Change Directive or Change Order will be issued.

6.17 Shop Drawings and Samples

A. CONTRACTOR shall submit Shop Drawings to ENGINEER for review and approval in accordance with the acceptable schedule of Shop Drawings and Sample submittals. All submittals will be identified as ENGINEER may require and in the number of copies specified in the General Requirements. The data shown on the Shop Drawings will be complete with respect to quantities, dimensions, specified performance and design criteria, materials, and similar data to show ENGINEER the services, materials, and equipment CONTRACTOR proposes to provide and to enable ENGINEER to review the information for the limited purposes required by paragraph 6.17.E.

B. CONTRACTOR shall also submit six (6) Samples to ENGINEER for review and approval in accordance with the acceptable schedule of Shop Drawings and Sample submittals. Each Sample will be identified clearly as to material, Supplier, pertinent data such as catalog numbers, and the use for which intended and otherwise as ENGINEER may require to enable ENGINEER to review the submittal for the limited purposes required by paragraph 6.17.E. The numbers of each Sample to be submitted will be as specified in the Specifications.

C. Where a Shop Drawing or Sample is required by the Contract Documents or the schedule of Shop Drawings and Sample submittals acceptable to ENGINEER as required by paragraph 2.07, any related Work performed prior to ENGINEER's review and approval of the pertinent submittal will be at the sole expense and responsibility of CONTRACTOR.

D. Submittal Procedures

1. Before submitting each Shop Drawing or Sample, CONTRACTOR shall have determined and verified:

a. all field measurements, quantities, dimensions, specified performance criteria, installation requirements, materials, catalog numbers, and similar information with respect thereto;

b. all materials with respect to intended use, fabrication, shipping, handling, storage, assembly, and installation pertaining to the performance of the Work;

c. all information relative to means, methods, techniques, sequences, and procedures of construction and safety precautions and programs incident thereto; and

d. CONTRACTOR shall also have reviewed and coordinated each Shop Drawing or

Sample with other Shop Drawings and Samples and with the requirements of the Work and the Contract Documents.

2. Each submittal shall bear a stamp or specific written indication that CONTRACTOR has satisfied CONTRACTOR's obligations under the Contract Documents with respect to CONTRACTOR's review and approval of that submittal.

3. At the time of each submittal, CONTRACTOR shall give ENGINEER specific written notice of such variations, if any, that the Shop Drawing or Sample submitted may have from the requirements of the Contract Documents, such notice to be in a written communication separate from the submittal; and, in addition, shall cause a specific notation to be made on each Shop Drawing and Sample submitted to ENGINEER for review and approval of each such variation.

E. ENGINEER's Review

1. ENGINEER will timely review and approve Shop Drawings and Samples in accordance with the schedule of Shop Drawings and Sample submittals acceptable to ENGINEER. ENGINEER's review and approval will be only to determine if the items covered by the submittals

will, after installation or incorporation in the Work, conform to the information given in the Contract Documents and be compatible with the design concept of the completed Project as a functioning whole as indicated by the Contract Documents.

2. ENGINEER's review and approval will not extend to means, methods, techniques, sequences, or procedures of construction (except where a particular means, method, technique, sequence, or procedure of construction is specifically and expressly called for by the Contract Documents) or to safety precautions or programs incident thereto. The review and approval of a separate item as such will not indicate approval of the assembly in which the item functions.

3. ENGINEER's review and approval of Shop Drawings or Samples shall not relieve CONTRACTOR from responsibility for any variation from the requirements of the Contract Documents unless CONTRACTOR has in writing called ENGINEER's attention to each such variation at the time of each submittal as required by paragraph 6.17.D.3 and ENGINEER has given written approval of each such variation by specific written notation thereof incorporated in or accompanying the Shop Drawing or Sample approval; nor will any approval by ENGINEER relieve CONTRACTOR from responsibility for complying with the requirements of paragraph 6.17.D.1.

F. Resubmittal Procedures

1. CONTRACTOR shall make corrections required by ENGINEER and shall return the required number of corrected copies of Shop Drawings and submit as required new Samples for review and approval. CONTRACTOR shall direct specific attention in writing to revisions other than the corrections called for by ENGINEER on previous submittals.

6.18 Continuing the Work

A. CONTRACTOR shall carry on the Work and adhere to the progress schedule during all disputes or disagreements with OWNER. No Work shall be delayed or postponed pending resolution of any disputes or disagreements, except as permitted by paragraph 15.04 or as OWNER and CONTRACTOR may otherwise agree in writing.

6.19 CONTRACTOR's General Warranty and Guarantee

A. CONTRACTOR warrants and guarantees to OWNER, ENGINEER, and ENGINEER's Consultants that all Work will be in accordance with the Contract Documents and will not be defective. CONTRACTOR's warranty and guarantee hereunder excludes defects or damage caused by:

1. abuse, modification, or improper maintenance or operation by persons other than CONTRACTOR, Subcontractors, Suppliers, or any other individual or entity for whom CONTRACTOR is responsible; or
2. normal wear and tear under normal usage.

B. CONTRACTOR's obligation to perform and complete the Work in accordance with the Contract Documents shall be absolute. None of the following will constitute an acceptance of Work that is not in accordance with the Contract Documents or a release of CONTRACTOR's obligation to perform the Work in accordance with the Contract Documents:

1. observations by ENGINEER;
2. recommendation by ENGINEER or payment by OWNER of any progress or final payment;
3. the issuance of a certificate of Substantial Completion by ENGINEER or any payment related thereto by OWNER;
4. use or occupancy of the Work or any part thereof by OWNER;
5. any acceptance by OWNER or any failure to do so;
6. any review and approval of a Shop Drawing or Sample submittal or the issuance of a notice of acceptability by ENGINEER;
7. any inspection, test, or approval by others; or
8. any correction of defective Work by OWNER.

6.20 Indemnification

A. To the fullest extent permitted by Laws and Regulations, CONTRACTOR shall indemnify and hold harmless OWNER, ENGINEER, ENGINEER's Consultants, and the officers, directors, partners, employees, agents, and other consultants and subcontractors of each and any of them from and against all claims, costs, losses, and damages (including but not limited to all fees and charges of engineers, architects, attorneys, and other professionals and all court or arbitration or other dispute resolution costs) arising out of or relating to the performance of the Work, provided that any such claim, cost, loss, or damage:

1. is attributable to bodily injury, sickness, disease, or death, or to injury to or destruction of tangible property (other than the Work itself), including the loss of use resulting therefrom; and

2. is caused in whole or in part by any negligent act or omission of CONTRACTOR, any Subcontractor, any Supplier, or any individual or entity directly or indirectly employed by any of them to perform any of the Work or anyone for whose acts any of them may be liable, regardless of whether or not caused in part by any negligence or omission of an individual or entity indemnified hereunder or whether liability is imposed upon such indemnified party by Laws and Regulations regardless of the negligence of any such individual or entity.

B. In any and all claims against OWNER or ENGINEER or any of their respective consultants, agents, officers, directors, partners, or employees by any employee (or the survivor or personal representative of such employee) of CONTRACTOR, any Subcontractor, any Supplier, or any individual or entity directly or indirectly employed by any of them to perform any of the Work, or anyone for whose acts any of them may be liable, the indemnification obligation under paragraph 6.20.A shall not be limited in any way by any limitation on the amount or type of damages, compensation, or benefits payable by or for CONTRACTOR or any such Subcontractor, Supplier, or other individual or entity under workers' compensation acts, disability benefit acts, or other employee benefit acts.

C. The indemnification obligations of CONTRACTOR under paragraph 6.20.A shall not extend to the liability of ENGINEER and ENGINEER's Consultants or to the officers, directors, partners, employees, agents, and

other consultants and subcontractors of each and any of them arising out of:

1. the preparation or approval of, or the failure to prepare or approve, maps, Drawings, opinions, reports, surveys, Change Orders, designs, or Specifications; or

2. giving directions or instructions, or failing to give them, if that is the primary cause of the injury or damage.

ARTICLE 7 - OTHER WORK

7.01 *Related Work at Site*

A. OWNER may perform other work related to the Project at the Site by OWNER's employees, or let other direct contracts therefor, or have other work performed by utility owners. If such other work is not noted in the Contract Documents, then:

1. written notice thereof will be given to CONTRACTOR prior to starting any such other work; and

2. if OWNER and CONTRACTOR are unable to agree on entitlement to or on the amount or extent, if any, of any adjustment in the Contract Price or Contract Times that should be allowed as a result of such other work, a Claim may be made therefor as provided in paragraph 10.05.

B. CONTRACTOR shall afford each other contractor who is a party to such a direct contract and each utility owner (and OWNER, if OWNER is performing the other work with OWNER's employees) proper and safe access to the Site and a reasonable opportunity for the introduction and storage of materials and equipment and the execution of such other work and shall properly coordinate the Work with theirs. Unless otherwise provided in the Contract Documents, CONTRACTOR shall do all cutting, fitting, and patching of the Work that may be required to properly connect or otherwise make its several parts come together and properly integrate with such other work. CONTRACTOR shall not endanger any work of others by cutting, excavating, or otherwise altering their work and will only cut or alter their work with the written consent of ENGINEER and the others whose work will be affected. The duties and responsibilities of CONTRACTOR under this paragraph are for the benefit of

such utility owners and other contractors to the extent that there are comparable provisions for the benefit of CONTRACTOR in said direct contracts between OWNER and such utility owners and other contractors.

C. If the proper execution or results of any part of CONTRACTOR's Work depends upon work performed by others under this Article 7, CONTRACTOR shall inspect such other work and promptly report to ENGINEER in writing any delays, defects, or deficiencies in such other work that render it unavailable or unsuitable for the proper execution and results of CONTRACTOR's Work. CONTRACTOR's failure to so report will constitute an acceptance of such other work as fit and proper for integration with CONTRACTOR's Work except for latent defects and deficiencies in such other work.

7.02 *Coordination*

A. If OWNER intends to contract with others for the performance of other work on the Project at the Site, the following will be set forth in Supplementary Conditions:

1. the individual or entity who will have authority and responsibility for coordination of the activities among the various contractors will be identified;
2. the specific matters to be covered by such authority and responsibility will be itemized; and
3. the extent of such authority and responsibilities will be provided.

B. Unless otherwise provided in the Supplementary Conditions, OWNER shall have sole authority and responsibility for such coordination.

ARTICLE 8 - OWNER'S RESPONSIBILITIES

8.01 *Communications to Contractor*

A. Except as otherwise provided in these General Conditions, OWNER shall issue all communications to CONTRACTOR through ENGINEER.

8.02 *Replacement of ENGINEER*

A. In case of termination of the employment of ENGINEER, OWNER shall appoint an engineer to whom CONTRACTOR makes no reasonable objection, whose status under the Contract Documents shall be that of the former ENGINEER.

8.03 *Furnish Data*

A. OWNER shall promptly furnish the data required of OWNER under the Contract Documents.

8.04 *Pay Promptly When Due*

A. OWNER shall make payments to CONTRACTOR promptly when they are due as provided in paragraphs 14.02.C and 14.07.C.

8.05 *Lands and Easements; Reports and Tests*

A. OWNER's duties in respect of providing lands and easements and providing engineering surveys to establish reference points are set forth in paragraphs 4.01 and 4.05. Paragraph 4.02 refers to OWNER's identifying and making available to CONTRACTOR copies of reports of explorations and tests of subsurface conditions and drawings of physical conditions in or relating to existing surface or subsurface structures at or contiguous to the Site that have been utilized by ENGINEER in preparing the Contract Documents.

8.06 *Insurance*

A. OWNER's responsibilities, if any, in respect to purchasing and maintaining liability and property insurance are set forth in Article 5.

8.07 *Change Orders*

A. OWNER is obligated to execute Change Orders as indicated in paragraph 10.03.

8.08 *Inspections, Tests, and Approvals*

A. OWNER's responsibility in respect to certain inspections, tests, and approvals is set forth in paragraph 13.03.B.

8.09 *Limitations on OWNER's Responsibilities*

A. The OWNER shall not supervise, direct, or have control or authority over, nor be responsible for, CONTRACTOR's means, methods, techniques, sequences, or procedures of construction, or the safety precautions and programs incident thereto, or for any failure of CONTRACTOR to comply with Laws and Regulations applicable to the performance of the Work. OWNER will not be responsible for CONTRACTOR's failure to perform the Work in accordance with the Contract Documents.

8.10 *Undisclosed Hazardous Environmental Condition*

A. OWNER's responsibility in respect to an undisclosed Hazardous Environmental Condition is set forth in paragraph 4.06.

8.11 *Evidence of Financial Arrangements*

A. If and to the extent OWNER has agreed to furnish CONTRACTOR reasonable evidence that financial arrangements have been made to satisfy OWNER's obligations under the Contract Documents, OWNER's responsibility in respect thereof will be as set forth in the Supplementary Conditions.

ARTICLE 9 - ENGINEER'S STATUS DURING CONSTRUCTION

9.01 *OWNER'S Representative*

A. ENGINEER will be OWNER's representative during the construction period. The duties and responsibilities and the limitations of authority of ENGINEER as OWNER's representative during construction are set forth in the Contract Documents and will not be changed without written consent of OWNER and ENGINEER.

9.02 *Visits to Site*

A. ENGINEER will make visits to the Site at intervals appropriate to the various stages of construction as ENGINEER deems necessary in order to observe as an experienced and qualified design professional the progress that has been made and the quality of the various aspects of CONTRACTOR's executed Work. Based on information obtained during such visits and

observations, ENGINEER, for the benefit of OWNER, will determine, in general, if the Work is proceeding in accordance with the Contract Documents. ENGINEER will not be required to make exhaustive or continuous inspections on the Site to check the quality or quantity of the Work. ENGINEER's efforts will be directed toward providing for OWNER a greater degree of confidence that the completed Work will conform generally to the Contract Documents. On the basis of such visits and observations, ENGINEER will keep OWNER informed of the progress of the Work and will endeavor to guard OWNER against defective Work.

B. ENGINEER's visits and observations are subject to all the limitations on ENGINEER's authority and responsibility set forth in paragraph 9.10, and particularly, but without limitation, during or as a result of ENGINEER's visits or observations of CONTRACTOR's Work ENGINEER will not supervise, direct, control, or have authority over or be responsible for CONTRACTOR's means, methods, techniques, sequences, or procedures of construction, or the safety precautions and programs incident thereto, or for any failure of CONTRACTOR to comply with Laws and Regulations applicable to the performance of the Work.

9.03 *Project Representative*

A. If OWNER and ENGINEER agree, ENGINEER will furnish a Resident Project Representative to assist ENGINEER in providing more extensive observation of the Work. The responsibilities and authority and limitations thereon of any such Resident Project Representative and assistants will be as provided in paragraph 9.10 and in the Supplementary Conditions. If OWNER designates another representative or agent to represent OWNER at the Site who is not ENGINEER's Consultant, agent or employee,

the responsibilities and authority and limitations thereon of such other individual or entity will be as provided in the Supplementary Conditions.

9.04 *Clarifications and Interpretations*

A. ENGINEER will issue with reasonable promptness such written clarifications or interpretations of the requirements of the Contract Documents as ENGINEER may determine necessary, which shall be consistent with the intent of and reasonably inferable from the Contract Docu-

ments. Such written clarifications and interpretations will be binding on OWNER and CONTRACTOR. If OWNER and CONTRACTOR are unable to agree on entitlement to or on the amount or extent, if any, of any adjustment in the Contract Price or Contract Times, or both, that should be allowed as a result of a written clarification or interpretation, a Claim may be made therefor as provided in paragraph 10.05.

9.05 *Authorized Variations in Work*

A. ENGINEER may authorize minor variations in the Work from the requirements of the Contract Documents which do not involve an adjustment in the Contract Price or the Contract Times and are compatible with the design concept of the completed Project as a functioning whole as indicated by the Contract Documents. These may be accomplished by a Field Order and will be binding on OWNER and also on CONTRACTOR, who shall perform the Work involved promptly. If OWNER and CONTRACTOR are unable to agree on entitlement to or on the amount or extent, if any, of any adjustment in the Contract Price or Contract Times, or both, as a result of a Field Order, a Claim may be made therefor as provided in paragraph 10.05.

9.06 *Rejecting Defective Work*

A. ENGINEER will have authority to disapprove or reject Work which ENGINEER believes to be defective, or that ENGINEER believes will not produce a completed Project that conforms to the Contract Documents or that will prejudice the integrity of the design concept of the completed Project as a functioning whole as indicated by the Contract Documents. ENGINEER will also have authority to require special inspection or testing of the Work as provided in paragraph 13.04, whether or not the Work is fabricated, installed, or completed.

9.07 *Shop Drawings, Change Orders and Payments*

A. In connection with ENGINEER's authority as to Shop Drawings and Samples, see paragraph 6.17.

B. In connection with ENGINEER's authority as to Change Orders, see Articles 10, 11, and 12.

C. In connection with ENGINEER's authority as to Applications for Payment, see Article 14.

9.08 *Determinations for Unit Price Work*

A. ENGINEER will determine the actual quantities and classifications of Unit Price Work performed by CONTRACTOR. ENGINEER will review with CONTRACTOR the ENGINEER's preliminary determinations on such matters before rendering a written decision thereon (by recommendation of an Application for Payment or otherwise). ENGINEER's written decision thereon will be final and binding (except as modified by ENGINEER to reflect changed factual conditions or more accurate data) upon OWNER and CONTRACTOR, subject to the provisions of paragraph 10.05.

9.09 *Decisions on Requirements of Contract Documents and Acceptability of Work*

A. ENGINEER will be the initial interpreter of the requirements of the Contract Documents and judge of the acceptability of the Work thereunder. Claims, disputes and other matters relating to the acceptability of the Work, the quantities and classifications of Unit Price Work, the interpretation of the requirements of the Contract Documents pertaining to the performance of the Work, and Claims seeking changes in the Contract Price or Contract Times will be referred initially to ENGINEER in writing, in accordance with the provisions of paragraph 10.05, with a request for a formal decision.

B. When functioning as interpreter and judge under this paragraph 9.09, ENGINEER will not show partiality to OWNER or CONTRACTOR and will not be liable in connection with any interpretation or decision rendered in good faith in such capacity. The rendering of a decision by ENGINEER pursuant to this paragraph 9.09 with respect to any such Claim, dispute, or other matter (except any which have been waived by the making or acceptance of final payment as provided in paragraph 14.07) will be a condition precedent to any exercise by OWNER or CONTRACTOR of such rights or remedies as either may otherwise have under the Contract Documents or by Laws or Regulations in respect of any such Claim, dispute, or other matter.

9.10 *Limitations on ENGINEER's Authority and Responsibilities*

A. Neither ENGINEER's authority or responsibility under this Article 9 or under any other provision of the Contract Documents nor any decision made by ENGINEER in good faith either to exercise or not exercise such

authority or responsibility or the undertaking, exercise, or performance of any authority or responsibility by ENGINEER shall create, impose, or give rise to any duty in contract, tort, or otherwise owed by ENGINEER to CONTRACTOR, any Subcontractor, any Supplier, any other individual or entity, or to any surety for or employee or agent of any of them.

B. ENGINEER will not supervise, direct, control, or have authority over or be responsible for CONTRACTOR's means, methods, techniques, sequences, or procedures of construction, or the safety precautions and programs incident thereto, or for any failure of CONTRACTOR to comply with Laws and Regulations applicable to the performance of the Work. ENGINEER will not be responsible for CONTRACTOR's failure to perform the Work in accordance with the Contract Documents.

C. ENGINEER will not be responsible for the acts or omissions of CONTRACTOR or of any Subcontractor, any Supplier, or of any other individual or entity performing any of the Work.

D. ENGINEER's review of the final Application for Payment and accompanying documentation and all maintenance and operating instructions, schedules, guarantees, Bonds, certificates of inspection, tests and approvals, and other documentation required to be delivered by paragraph 14.07.A will only be to determine generally that their content complies with the requirements of, and in the case of certificates of inspections, tests, and approvals that the results certified indicate compliance with, the Contract Documents.

E. The limitations upon authority and responsibility set forth in this paragraph 9.10 shall also apply to ENGINEER's Consultants, Resident Project Representative, and assistants. See Article 18.

ARTICLE 10 - CHANGES IN THE WORK; CLAIMS

10.01 *Authorized Changes in the Work*

A. Without invalidating the Agreement and without notice to any surety, OWNER may, at any time or from time to time, order additions, deletions, or revisions in the Work by a Written Amendment, a Change Order, or a Work Change Directive. Upon receipt of any such document, CONTRACTOR shall promptly proceed with the Work involved which will be performed under the

applicable conditions of the Contract Documents (except as otherwise specifically provided).

B. If OWNER and CONTRACTOR are unable to agree on entitlement to, or on the amount or extent, if any, of an adjustment in the Contract Price or Contract Times, or both, that should be allowed as a result of a Work Change Directive, a Claim may be made therefor as provided in paragraph 10.05.

10.02 *Unauthorized Changes in the Work*

A. CONTRACTOR shall not be entitled to an increase in the Contract Price or an extension of the Contract Times with respect to any work performed that is not required by the Contract Documents as amended, modified, or supplemented as provided in paragraph 3.04, except in the case of an emergency as provided in paragraph 6.16 or in the case of uncovering Work as provided in paragraph 13.04.B.

10.03 *Execution of Change Orders*

A. OWNER and CONTRACTOR shall execute appropriate Change Orders recommended by ENGINEER (or Written Amendments) covering:

1. changes in the Work which are: (i) ordered by OWNER pursuant to paragraph 10.01.A, (ii) required because of acceptance of defective Work under paragraph 13.08.A or OWNER's correction of defective Work under paragraph 13.09, or (iii) agreed to by the parties;

2. changes in the Contract Price or Contract Times which are agreed to by the parties, including any undisputed sum or amount of time for Work actually performed in accordance with a Work Change Directive; and

3. changes in the Contract Price or Contract Times which embody the substance of any written decision rendered by ENGINEER pursuant to paragraph 10.05; provided that, in lieu of executing any such Change Order, an appeal may be taken from any such decision in accordance with the provisions of the Contract Documents and applicable Laws and Regulations, but during any such appeal, CONTRACTOR shall carry on the Work and adhere to the progress schedule as provided in paragraph 6.18.A.

10.04 *Notification to Surety*

A. If notice of any change affecting the general scope of the Work or the provisions of the Contract Documents (including, but not limited to, Contract Price or Contract Times) is required by the provisions of any Bond to be given to a surety, the giving of any such notice will be CONTRACTOR's responsibility. The amount of each applicable Bond will be adjusted to reflect the effect of any such change.

10.05 *Claims and Disputes*

A. *Notice:* Written notice stating the general nature of each Claim, dispute, or other matter shall be delivered by the claimant to ENGINEER and the other party to the Contract promptly (but in no event later than 30 days) after the start of the event giving rise thereto. Notice of the amount or extent of the Claim, dispute, or other matter with supporting data shall be delivered to the ENGINEER and the other party to the Contract within 60 days after the start of such event (unless ENGINEER allows additional time for claimant to submit additional or more accurate data in support of such Claim, dispute, or other matter). A Claim for an adjustment in Contract Price shall be prepared in accordance with the provisions of paragraph 12.01.B. A Claim for an adjustment in Contract Time shall be prepared in accordance with the provisions of paragraph 12.02.B. Each Claim shall be accompanied by claimant's written statement that the adjustment claimed is the entire adjustment to which the claimant believes it is entitled as a result of said event. The opposing party shall submit any response to ENGINEER and the claimant within 30 days after receipt of the claimant's last submittal (unless ENGINEER allows additional time).

B. *ENGINEER's Decision:* ENGINEER will render a formal decision in writing within 30 days after receipt of the last submittal of the claimant or the last submittal of the opposing party, if any. ENGINEER's written decision on such Claim, dispute, or other matter will be final and binding upon OWNER and CONTRACTOR unless:

1. an appeal from ENGINEER's decision is taken within the time limits and in accordance with the dispute resolution procedures set forth in Article 16; or
2. if no such dispute resolution procedures have been set forth in Article 16, a written notice of intention to appeal from ENGINEER's written decision is delivered by OWNER or CONTRACTOR to the other and to ENGINEER within 30 days

after the date of such decision, and a formal proceeding is instituted by the appealing party in a forum of competent jurisdiction within 60 days after the date of such decision or within 60 days after Substantial Completion, whichever is later (unless otherwise agreed in writing by OWNER and CONTRACTOR), to exercise such rights or remedies as the appealing party may have with respect to such Claim, dispute, or other matter in accordance with applicable Laws and Regulations.

C. If ENGINEER does not render a formal decision in writing within the time stated in paragraph 10.05.B, a decision denying the Claim in its entirety shall be deemed to have been issued 31 days after receipt of the last submittal of the claimant or the last submittal of the opposing party, if any.

D. No Claim for an adjustment in Contract Price or Contract Times (or Milestones) will be valid if not submitted in accordance with this paragraph 10.05.

ARTICLE 11 - COST OF THE WORK; CASH ALLOWANCES; UNIT PRICE WORK

11.01 *Cost of the Work*

A. *Costs Included:* The term Cost of the Work means the sum of all costs necessarily incurred and paid by CONTRACTOR in the proper performance of the Work. When the value of any Work covered by a Change Order or when a Claim for an adjustment in Contract Price is determined on the basis of Cost of the Work, the costs to be reimbursed to CONTRACTOR will be only those additional or incremental costs required because of the change in the Work or because of the event giving rise to the Claim. Except as otherwise may be agreed to in writing by OWNER, such costs shall be in amounts no higher than those prevailing in the locality of the Project, shall include only the following items, and shall not include any of the costs itemized in paragraph 11.01.B.

1. Payroll costs for employees in the direct employ of CONTRACTOR in the performance of the Work under schedules of job classifications agreed upon by OWNER and CONTRACTOR. Such employees shall include without limitation superintendents, foremen, and other personnel employed full time at the Site. Payroll costs for employees not employed full time on the Work

shall be apportioned on the basis of their time spent on the Work. Payroll costs shall include, but not be limited to, salaries and wages plus the cost of fringe benefits, which shall include social security contributions, unemployment, excise, and payroll taxes, workers' compensation, health and retirement benefits, bonuses, sick leave, vacation and holiday pay applicable thereto. The expenses of performing Work outside of regular working hours, on Saturday, Sunday, or legal holidays, shall be included in the above to the extent authorized by OWNER.

2. Cost of all materials and equipment furnished and incorporated in the Work, including costs of transportation and storage thereof, and Suppliers' field services required in connection therewith. All cash discounts shall accrue to CONTRACTOR unless OWNER deposits funds with CONTRACTOR with which to make payments, in which case the cash discounts shall accrue to OWNER. All trade discounts, rebates and refunds and returns from sale of surplus materials and equipment shall accrue to OWNER, and CONTRACTOR shall make provisions so that they may be obtained.

3. Payments made by CONTRACTOR to Subcontractors for Work performed by Subcontractors. If required by OWNER, CONTRACTOR shall obtain competitive bids from subcontractors acceptable to OWNER and CONTRACTOR and shall deliver such bids to OWNER, who will then determine, with the advice of ENGINEER, which bids, if any, will be acceptable. If any subcontract provides that the Subcontractor is to be paid on the basis of Cost of the Work plus a fee, the Subcontractor's Cost of the Work and fee shall be determined in the same manner as CONTRACTOR's Cost of the Work and fee as provided in this paragraph 11.01.

4. Costs of special consultants (including but not limited to engineers, architects, testing laboratories, surveyors, attorneys, and accountants) employed for services specifically related to the Work.

5. Supplemental costs including the following:

a. The proportion of necessary transportation, travel, and subsistence expenses of

CONTRACTOR's employees incurred in discharge of duties connected with the Work.

b. Cost, including transportation and maintenance, of all materials, supplies, equipment, machinery, appliances, office, and temporary facilities at the Site, and hand tools not owned by the workers, which are consumed in the performance of the Work, and cost, less market value, of such items used but not consumed which remain the property of CONTRACTOR.

c. Rentals of all construction equipment and machinery, and the parts thereof whether rented from CONTRACTOR or others in accordance with rental agreements approved by OWNER with the advice of ENGINEER, and the costs of transportation, loading, unloading, assembly, dismantling, and removal thereof. All such costs shall be in accordance with the terms of said rental agreements. The rental of any such equipment, machinery, or parts shall cease when the use thereof is no longer necessary for the Work.

d. Sales, consumer, use, and other similar taxes related to the Work, and for which CONTRACTOR is liable, imposed by Laws and Regulations.

e. Deposits lost for causes other than negligence of CONTRACTOR, any Subcontractor, or anyone directly or indirectly employed by any of them or for whose acts any of them may be liable, and royalty payments and fees for permits and licenses.

f. Losses and damages (and related expenses) caused by damage to the Work, not compensated by insurance or otherwise, sustained by CONTRACTOR in connection with the performance of the Work (except losses and damages within the deductible amounts of property insurance established in accordance with paragraph 5.06.D), provided such losses and damages have resulted from causes other than the negligence of CONTRACTOR, any Subcontractor, or anyone directly or indirectly employed by any of them or for whose acts any of them may be liable. Such losses shall include settlements made with the written consent and approval of OWNER. No such losses, damages, and expenses shall be included in the Cost of the Work for the purpose of determining CONTRACTOR's fee.

g. The cost of utilities, fuel, and sanitary facilities at the Site.

h. Minor expenses such as telegrams, long distance telephone calls, telephone service at the Site, expressage, and similar petty cash items in connection with the Work.

i. When the Cost of the Work is used to determine the value of a Change Order or of a Claim, the cost of premiums for additional Bonds and insurance required because of the changes in the Work or caused by the event giving rise to the Claim.

j. When all the Work is performed on the basis of cost-plus, the costs of premiums for all Bonds and insurance CONTRACTOR is required by the Contract Documents to purchase and maintain.

B. *Costs Excluded:* The term Cost of the Work shall not include any of the following items:

1. Payroll costs and other compensation of CONTRACTOR's officers, executives, principals (of partnerships and sole proprietorships), general managers, engineers, architects, estimators, attorneys, auditors, accountants, purchasing and contracting agents, expeditors, timekeepers, clerks, and other personnel employed by CONTRACTOR, whether at the Site or in CONTRACTOR's principal or branch office for general administration of the Work and not specifically included in the agreed upon schedule of job classifications referred to in paragraph 11.01.A.1 or specifically covered by paragraph 11.01.A.4, all of which are to be considered administrative costs covered by the CONTRACTOR's fee.

2. Expenses of CONTRACTOR's principal and branch offices other than CONTRACTOR's office at the Site.

3. Any part of CONTRACTOR's capital expenses, including interest on CONTRACTOR's capital employed for the Work and charges against CONTRACTOR for delinquent payments.

4. Costs due to the negligence of CONTRACTOR, any Subcontractor, or anyone directly or indirectly employed by any of them or for whose acts any of them may be liable, including but not

limited to, the correction of defective Work, disposal of materials or equipment wrongly supplied, and making good any damage to property.

5. Other overhead or general expense costs of any kind and the costs of any item not specifically and expressly included in paragraphs 11.01.A and 11.01.B.

C. *CONTRACTOR's Fee:* When all the Work is performed on the basis of cost-plus, CONTRACTOR's fee shall be determined as set forth in the Agreement. When the value of any Work covered by a Change Order or when a Claim for an adjustment in Contract Price is determined on the basis of Cost of the Work, CONTRACTOR's fee shall be determined as set forth in paragraph 12.01.C.

D. *Documentation:* Whenever the Cost of the Work for any purpose is to be determined pursuant to paragraphs 11.01.A and 11.01.B, CONTRACTOR will establish and maintain records thereof in accordance with generally accepted accounting practices and submit in a form acceptable to ENGINEER an itemized cost breakdown together with supporting data.

11.02 *Cash Allowances*

A. It is understood that CONTRACTOR has included in the Contract Price all allowances so named in the Contract Documents and shall cause the Work so covered to be performed for such sums as may be acceptable to OWNER and ENGINEER. CONTRACTOR agrees that:

1. the allowances include the cost to CONTRACTOR (less any applicable trade discounts) of materials and equipment required by the allowances to be delivered at the Site, and all applicable taxes; and

2. CONTRACTOR's costs for unloading and handling on the Site, labor, installation costs, overhead, profit, and other expenses contemplated for the allowances have been included in the Contract Price and not in the allowances, and no demand for additional payment on account of any of the foregoing will be valid.

B. Prior to final payment, an appropriate Change Order will be issued as recommended by ENGINEER to reflect actual amounts due CONTRACTOR on account of

Work covered by allowances, and the Contract Price shall be correspondingly adjusted.

11.03 *Unit Price Work*

A. Where the Contract Documents provide that all or part of the Work is to be Unit Price Work, initially the Contract Price will be deemed to include for all Unit Price Work an amount equal to the sum of the unit price for each separately identified item of Unit Price Work times the estimated quantity of each item as indicated in the Agreement. The estimated quantities of items of Unit Price Work are not guaranteed and are solely for the purpose of comparison of Bids and determining an initial Contract Price. Determinations of the actual quantities and classifications of Unit Price Work performed by CONTRACTOR will be made by ENGINEER subject to the provisions of paragraph 9.08.

B. Each unit price will be deemed to include an amount considered by CONTRACTOR to be adequate to cover CONTRACTOR's overhead and profit for each separately identified item.

C. OWNER or CONTRACTOR may make a Claim for an adjustment in the Contract Price in accordance with paragraph 10.05 if:

1. the quantity of any item of Unit Price Work performed by CONTRACTOR differs materially and significantly from the estimated quantity of such item indicated in the Agreement; and
2. there is no corresponding adjustment with respect any other item of Work; and
3. if CONTRACTOR believes that CONTRACTOR is entitled to an increase in Contract Price as a result of having incurred additional expense or OWNER believes that OWNER is entitled to a decrease in Contract Price and the parties are unable to agree as to the amount of any such increase or decrease.

ARTICLE 12 - CHANGE OF CONTRACT PRICE;
CHANGE OF CONTRACT TIMES

12.01 *Change of Contract Price*

A. The Contract Price may only be changed by a Change Order or by a Written Amendment. Any Claim for an adjustment in the Contract Price shall be based on written notice submitted by the party making the Claim to the ENGINEER and the other party to the Contract in accordance with the provisions of paragraph 10.05.

B. The value of any Work covered by a Change Order or of any Claim for an adjustment in the Contract Price will be determined as follows:

1. where the Work involved is covered by unit prices contained in the Contract Documents, by application of such unit prices to the quantities of the items involved (subject to the provisions of paragraph 11.03); or

2. where the Work involved is not covered by unit prices contained in the Contract Documents, by a mutually agreed lump sum (which may include an allowance for overhead and profit not necessarily in accordance with paragraph 12.01.C.2); or

3. where the Work involved is not covered by unit prices contained in the Contract Documents and agreement to a lump sum is not reached under paragraph 12.01.B.2, on the basis of the Cost of the Work (determined as provided in paragraph 11.01) plus a CONTRACTOR's fee for overhead and profit (determined as provided in paragraph 12.01.C).

C. *CONTRACTOR's Fee*: The CONTRACTOR's fee for overhead and profit shall be determined as follows:

1. a mutually acceptable fixed fee; or
2. if a fixed fee is not agreed upon, then a fee based on the following percentages of the various portions of the Cost of the Work:
 - a. for costs incurred under paragraphs 11.01.A.1 and 11.01.A.2, the CONTRACTOR's fee shall be 15 percent;

b. for costs incurred under paragraph 11.01.A.3, the CONTRACTOR's fee shall be five percent;

c. where one or more tiers of subcontracts are on the basis of Cost of the Work plus a fee and no fixed fee is agreed upon, the intent of paragraph 12.01.C.2.a is that the Subcontractor who actually performs the Work, at whatever tier, will be paid a fee of 15 percent of the costs incurred by such Subcontractor under paragraphs 11.01.A.1 and 11.01.A.2 and that any higher tier Subcontractor and CONTRACTOR will each be paid a fee of five percent of the amount paid to the next lower tier Subcontractor;

d. no fee shall be payable on the basis of costs itemized under paragraphs 11.01.A.4, 11.01.A.5, and 11.01.B;

e. the amount of credit to be allowed by CONTRACTOR to OWNER for any change which results in a net decrease in cost will be the amount of the actual net decrease in cost plus a deduction in CONTRACTOR's fee by an amount equal to five percent of such net decrease; and

f. when both additions and credits are involved in any one change, the adjustment in CONTRACTOR's fee shall be computed on the basis of the net change in accordance with paragraphs 12.01.C.2.a through 12.01.C.2.e, inclusive.

12.02 *Change of Contract Times*

A. The Contract Times (or Milestones) may only be changed by a Change Order or by a Written Amendment. Any Claim for an adjustment in the Contract Times (or Milestones) shall be based on written notice submitted by the party making the claim to the ENGINEER and the other party to the Contract in accordance with the provisions of paragraph 10.05.

B. Any adjustment of the Contract Times (or Milestones) covered by a Change Order or of any Claim for an adjustment in the Contract Times (or Milestones)

will be determined in accordance with the provisions of this Article 12.

12.03 *Delays Beyond CONTRACTOR's Control*

A. Where CONTRACTOR is prevented from completing any part of the Work within the Contract Times (or Milestones) due to delay beyond the control of CONTRACTOR, the Contract Times (or Milestones) will be extended in an amount equal to the time lost due to such delay if a Claim is made therefor as provided in paragraph 12.02.A. Delays beyond the control of CONTRACTOR shall include, but not be limited to, acts or neglect by OWNER, acts or neglect of utility owners or other contractors performing other work as contemplated by Article 7, fires, floods, epidemics, abnormal weather conditions, or acts of God.

12.04 *Delays Within CONTRACTOR's Control*

A. The Contract Times (or Milestones) will not be extended due to delays within the control of CONTRACTOR. Delays attributable to and within the control of a Subcontractor or Supplier shall be deemed to be delays within the control of CONTRACTOR.

12.05 *Delays Beyond OWNER's and CONTRACTOR's Control*

A. Where CONTRACTOR is prevented from completing any part of the Work within the Contract Times (or Milestones) due to delay beyond the control of both OWNER and CONTRACTOR, an extension of the Contract Times (or Milestones) in an amount equal to the time lost due to such delay shall be CONTRACTOR's sole and exclusive remedy for such delay.

12.06 *Delay Damages*

A. In no event shall OWNER or ENGINEER be liable to CONTRACTOR, any Subcontractor, any Supplier, or any other person or organization, or to any surety for or employee or agent of any of them, for damages arising out of or resulting from:

1. delays caused by or within the control of CONTRACTOR; or

2. delays beyond the control of both OWNER and CONTRACTOR including but not limited to fires, floods, epidemics, abnormal weather conditions, acts of God, or acts or neglect by utility

owners or other contractors performing other work as contemplated by Article 7.

B. Nothing in this paragraph 12.06 bars a change in Contract Price pursuant to this Article 12 to compensate CONTRACTOR due to delay, interference, or disruption directly attributable to actions or inactions of OWNER or anyone for whom OWNER is responsible.

ARTICLE 13 - TESTS AND INSPECTIONS;
CORRECTION, REMOVAL OR ACCEPTANCE OF
DEFECTIVE WORK

13.01 *Notice of Defects*

A. Prompt notice of all defective Work of which OWNER or ENGINEER has actual knowledge will be given to CONTRACTOR. All defective Work may be rejected, corrected, or accepted as provided in this Article 13.

13.02 *Access to Work*

A. OWNER, ENGINEER, ENGINEER's Consultants, other representatives and personnel of OWNER, independent testing laboratories, and governmental agencies with jurisdictional interests will have access to the Site and the Work at reasonable times for their observation, inspecting, and testing. CONTRACTOR shall provide them proper and safe conditions for such access and advise them of CONTRACTOR's Site safety procedures and programs so that they may comply therewith as applicable.

13.03 *Tests and Inspections*

A. CONTRACTOR shall give ENGINEER timely notice of readiness of the Work for all required inspections, tests, or approvals and shall cooperate with inspection and testing personnel to facilitate required inspections or tests.

B. OWNER shall employ and pay for the services of an independent testing laboratory to perform all inspections, tests, or approvals required by the Contract Documents except:

1. for inspections, tests, or approvals covered by paragraphs 13.03.C and 13.03.D below;

2. that costs incurred in connection with tests or inspections conducted pursuant to paragraph 13.04.B shall be paid as provided in said paragraph 13.04.B; and

3. as otherwise specifically provided in the Contract Documents.

C. If Laws or Regulations of any public body having jurisdiction require any Work (or part thereof) specifically to be inspected, tested, or approved by an employee or other representative of such public body, CONTRACTOR shall assume full responsibility for arranging and obtaining such inspections, tests, or approvals, pay all costs in connection therewith, and furnish ENGINEER the required certificates of inspection or approval.

D. CONTRACTOR shall be responsible for arranging and obtaining and shall pay all costs in connection with any inspections, tests, or approvals required for OWNER's and ENGINEER's acceptance of materials or equipment to be incorporated in the Work; or acceptance of materials, mix designs, or equipment submitted for approval prior to CONTRACTOR's purchase thereof for incorporation in the Work. Such inspections, tests, or approvals shall be performed by organizations acceptable to OWNER and ENGINEER.

E. If any Work (or the work of others) that is to be inspected, tested, or approved is covered by CONTRACTOR without written concurrence of ENGINEER, it must, if requested by ENGINEER, be uncovered for observation.

F. Uncovering Work as provided in paragraph 13.03.E shall be at CONTRACTOR's expense unless CONTRACTOR has given ENGINEER timely notice of CONTRACTOR's intention to cover the same and ENGINEER has not acted with reasonable promptness in response to such notice.

13.04 *Uncovering Work*

A. If any Work is covered contrary to the written request of ENGINEER, it must, if requested by ENGINEER, be uncovered for ENGINEER's observation and replaced at CONTRACTOR's expense.

B. If ENGINEER considers it necessary or advisable that covered Work be observed by ENGINEER or inspected or tested by others, CONTRACTOR, at ENGINEER's request, shall uncover, expose, or otherwise make available for observation, inspection, or testing as ENGINEER may require, that portion of the Work in

question, furnishing all necessary labor, material, and equipment. If it is found that such Work is defective, CONTRACTOR shall pay all Claims, costs, losses, and damages (including but not limited to all fees and charges of engineers, architects, attorneys, and other professionals and all court or arbitration or other dispute resolution costs) arising out of or relating to such uncovering, exposure, observation, inspection, and testing, and of satisfactory replacement or reconstruction (including but not limited to all costs of repair or replacement of work of others); and OWNER shall be entitled to an appropriate decrease in the Contract Price. If the parties are unable to agree as to the amount thereof, OWNER may make a Claim therefor as provided in paragraph 10.05. If, however, such Work is not found to be defective, CONTRACTOR shall be allowed an increase in the Contract Price or an extension of the Contract Times (or Milestones), or both, directly attributable to such uncovering, exposure, observation, inspection, testing, replacement, and reconstruction. If the parties are unable to agree as to the amount or extent thereof, CONTRACTOR may make a Claim therefor as provided in paragraph 10.05.

13.05 *OWNER May Stop the Work*

A. If the Work is defective, or CONTRACTOR fails to supply sufficient skilled workers or suitable materials or equipment, or fails to perform the Work in such a way that the completed Work will conform to the Contract Documents, OWNER may order CONTRACTOR to stop the Work, or any portion thereof, until the cause for such order has been eliminated; however, this right of OWNER to stop the Work shall not give rise to any duty on the part of OWNER to exercise this right for the benefit of CONTRACTOR, any Subcontractor, any Supplier, any other individual or entity, or any surety for, or employee or agent of any of them.

13.06 *Correction or Removal of Defective Work*

A. CONTRACTOR shall correct all defective Work, whether or not fabricated, installed, or completed, or, if the Work has been rejected by ENGINEER, remove it from the Project and replace it with Work that is not defective. CONTRACTOR shall pay all Claims, costs, losses, and damages (including but not limited to all fees and charges of engineers, architects, attorneys, and other professionals and all court or arbitration or other dispute resolution costs) arising out of or relating to such correction or removal (including but not limited to all costs of repair or replacement of work of others).

13.07 *Correction Period*

A. If within one year after the date of Substantial Completion or such longer period of time as may be prescribed by Laws or Regulations or by the terms of any applicable special guarantee required by the Contract Documents or by any specific provision of the Contract Documents, any Work is found to be defective, or if the repair of any damages to the land or areas made available for CONTRACTOR's use by OWNER or permitted by Laws and Regulations as contemplated in paragraph 6.11.A is found to be defective, CONTRACTOR shall promptly, without cost to OWNER and in accordance with OWNER's written instructions: (i) repair such defective land or areas, or (ii) correct such defective Work or, if the defective Work has been rejected by OWNER, remove it from the Project and replace it with Work that is not defective, and (iii) satisfactorily correct or repair or remove and replace any damage to other Work, to the work of others or other land or areas resulting therefrom. If CONTRACTOR does not promptly comply with the terms of such instructions, or in an emergency where delay would cause serious risk of loss or damage, OWNER may have the defective Work corrected or repaired or may have the rejected Work removed and replaced, and all Claims, costs, losses, and damages (including but not limited to all fees and charges of engineers, architects, attorneys, and other professionals and all court or arbitration or other dispute resolution costs) arising out of or relating to such correction or repair or such removal and replacement (including but not limited to all costs of repair or replacement of work of others) will be paid by CONTRACTOR.

B. In special circumstances where a particular item of equipment is placed in continuous service before Substantial Completion of all the Work, the correction period for that item may start to run from an earlier date if so provided in the Specifications or by Written Amendment.

C. Where defective Work (and damage to other Work resulting therefrom) has been corrected or removed and replaced under this paragraph 13.07, the correction period hereunder with respect to such Work will be extended for an additional period of one year after such correction or removal and replacement has been satisfactorily completed.

D. CONTRACTOR's obligations under this paragraph 13.07 are in addition to any other obligation or warranty. The provisions of this paragraph 13.07 shall not be construed as a substitute for or a waiver of the provisions of any applicable statute of limitation or repose.

13.08 *Acceptance of Defective Work*

A. If, instead of requiring correction or removal and replacement of defective Work, OWNER (and, prior to ENGINEER's recommendation of final payment, ENGINEER) prefers to accept it, OWNER may do so. CONTRACTOR shall pay all Claims, costs, losses, and damages (including but not limited to all fees and charges of engineers, architects, attorneys, and other professionals and all court or arbitration or other dispute resolution costs) attributable to OWNER's evaluation of and determination to accept such defective Work (such costs to be approved by ENGINEER as to reasonableness) and the diminished value of the Work to the extent not otherwise paid by CONTRACTOR pursuant to this sentence. If any such acceptance occurs prior to ENGINEER's recommendation of final payment, a Change Order will be issued incorporating the necessary revisions in the Contract Documents with respect to the Work, and OWNER shall be entitled to an appropriate decrease in the Contract Price, reflecting the diminished value of Work so accepted. If the parties are unable to agree as to the amount thereof, OWNER may make a Claim therefor as provided in paragraph 10.05. If the acceptance occurs after such recommendation, an appropriate amount will be paid by CONTRACTOR to OWNER.

13.09 *OWNER May Correct Defective Work*

A. If CONTRACTOR fails within a reasonable time after written notice from ENGINEER to correct defective Work or to remove and replace rejected Work as required by ENGINEER in accordance with paragraph 13.06.A, or if CONTRACTOR fails to perform the Work in accordance with the Contract Documents, or if CONTRACTOR fails to comply with any other provision of the Contract Documents, OWNER may, after seven days written notice

to CONTRACTOR, correct and remedy any such deficiency.

B. In exercising the rights and remedies under this paragraph, OWNER shall proceed expeditiously. In connection with such corrective and remedial action, OWNER may exclude CONTRACTOR from all or part of the Site, take possession of all or part of the Work and suspend CONTRACTOR's services related thereto, take possession of CONTRACTOR's tools, appliances, construction equipment and machinery at the Site, and incorporate in the Work all materials and equipment stored at the Site or for which OWNER has paid CONTRACTOR but which are stored elsewhere. CONTRACTOR shall allow OWNER, OWNER's representatives, agents and employees, OWNER's other contractors, and ENGINEER and ENGINEER's Consultants access to the Site to enable OWNER to exercise the rights and remedies under this paragraph.

C. All Claims, costs, losses, and damages (including but not limited to all fees and charges of engineers, architects, attorneys, and other professionals and all court or arbitration or other dispute resolution costs) incurred or sustained by OWNER in exercising the rights and remedies under this paragraph 13.09 will be charged against CONTRACTOR, and a Change Order will be issued incorporating the necessary revisions in the Contract Documents with respect to the Work; and OWNER shall be entitled to an appropriate decrease in the Contract Price. If the parties are unable to agree as to the amount of the adjustment, OWNER may make a Claim therefor as provided in paragraph 10.05. Such claims, costs, losses and damages will include but not be limited to all costs of repair, or replacement of work of others destroyed or damaged by correction, removal, or replacement of CONTRACTOR's defective Work.

D. CONTRACTOR shall not be allowed an extension of the Contract Times (or Milestones) because of any delay in the performance of the Work attributable to the exercise by OWNER of OWNER's rights and remedies under this paragraph 13.09.

ARTICLE 14 - PAYMENTS TO CONTRACTOR AND COMPLETION

14.01 *Schedule of Values*

A. The schedule of values established as provided in paragraph 2.07.A will serve as the basis for progress payments and will be incorporated into a form of Application for Payment acceptable to ENGINEER. Progress payments on account of Unit Price Work will be based on the number of units completed.

14.02 *Progress Payments*

A. *Applications for Payments*

1. At least 20 days before the date established for each progress payment (but not more often than once a month), CONTRACTOR shall submit to ENGINEER for review an Application for Payment filled out and signed by CONTRACTOR covering the Work completed as of the date of the Application and accompanied by such supporting documentation as is required by the Contract Documents. If payment is requested on the basis of materials and equipment not incorporated in the Work but delivered and suitably stored at the Site or at another location agreed to in writing, the Application for Payment shall also be accompanied by a bill of sale, invoice, or other documentation warranting that OWNER has received the materials and equipment free and clear of all Liens and evidence that the materials and equipment are covered by appropriate property insurance or other arrangements to protect OWNER's interest therein, all of which must be satisfactory to OWNER.

2. Beginning with the second Application for Payment, each Application shall include an affidavit of CONTRACTOR stating that all previous progress payments received on account of the Work have been applied on account to discharge CONTRACTOR's legitimate obligations associated with prior Applications for Payment.

3. The amount of retainage with respect to pro-gress payments will be as stipulated in the Agreement.

B. *Review of Applications*

1. ENGINEER will, within 10 days after receipt of each Application for Payment, either indicate in writing a recommendation of payment and present the Application to OWNER or return the Application to CONTRACTOR indicating in writing ENGINEER's reasons for refusing to recommend payment. In the latter case, CONTRACTOR may make the necessary corrections and resubmit the Application.

2. ENGINEER's recommendation of any payment requested in an Application for Payment will constitute a representation by ENGINEER to OWNER, based on ENGINEER's observations on the Site of the executed Work as an experienced and qualified design professional and on ENGINEER's review of the Application for Payment and the accompanying data and schedules, that to the best of ENGINEER's knowledge, information and belief:

a. the Work has progressed to the point indicated;

b. the quality of the Work is generally in accordance with the Contract Documents (subject to an evaluation of the Work as a functioning whole prior to or upon Substantial Completion, to the results of any subsequent tests called for in the Contract Documents, to a final determination of quantities and classifications for Unit Price Work under paragraph 9.08, and to any other qualifications stated in the recommendation); and

c. the conditions precedent to CONTRACTOR's being entitled to such payment appear to have been fulfilled in so far as it is ENGINEER's responsibility to observe the Work.

3. By recommending any such payment ENGINEER will not thereby be deemed to have represented that: (i) inspections made to check the quality or the quantity of the Work as it has been performed have been exhaustive, extended to every aspect of the Work in progress, or involved detailed inspections of the Work beyond the responsibilities specifically assigned to ENGINEER in the Contract Documents; or (ii) that there may not be other matters or issues between the parties

that might entitle CONTRACTOR to be paid additionally by OWNER or entitle OWNER to withhold payment to CONTRACTOR.

4. Neither ENGINEER's review of CONTRACTOR's Work for the purposes of recommending payments nor ENGINEER's recommendation of any payment, including final payment, will impose responsibility on ENGINEER to supervise, direct, or control the Work or for the means, methods, techniques, sequences, or procedures of construction, or the safety precautions and programs incident thereto, or for CONTRACTOR's failure to comply with Laws and Regulations applicable to CONTRACTOR's performance of the Work. Additionally, said review or recommendation will not impose responsibility on ENGINEER to make any examination to ascertain how or for what purposes CONTRACTOR has used the moneys paid on account of the Contract Price, or to determine that title to any of the Work, materials, or equipment has passed to OWNER free and clear of any Liens.

5. ENGINEER may refuse to recommend the whole or any part of any payment if, in ENGINEER's opinion, it would be incorrect to make the representations to OWNER referred to in paragraph 14.02.B.2. ENGINEER may also refuse to recommend any such payment or, because of subsequently discovered evidence or the results of subsequent inspections or tests, revise or revoke any such payment recommendation previously made, to such extent as may be necessary in ENGINEER's opinion to protect OWNER from loss because:

a. the Work is defective, or completed Work has been damaged, requiring correction or replacement;

b. the Contract Price has been reduced by Written Amendment or Change Orders;

c. OWNER has been required to correct defective Work or complete Work in accordance with paragraph 13.09; or

d. ENGINEER has actual knowledge of the occurrence of any of the events enumerated in paragraph 15.02.A.

C. *Payment Becomes Due*

1. Ten days after presentation of the Application for Payment to OWNER with ENGINEER's recommendation, the amount recommended will (subject to the provisions of paragraph 14.02.D) become due, and when due will be paid by OWNER to CONTRACTOR.

D. *Reduction in Payment*

1. OWNER may refuse to make payment of the full amount recommended by ENGINEER because:

a. claims have been made against OWNER on account of CONTRACTOR's performance or furnishing of the Work;

b. Liens have been filed in connection with the Work, except where CONTRACTOR has delivered a specific Bond satisfactory to OWNER to secure the satisfaction and discharge of such Liens;

c. there are other items entitling OWNER to a set-off against the amount recommended; or

d. OWNER has actual knowledge of the occurrence of any of the events enumerated in paragraphs 14.02.B.5.a through 14.02.B.5.c or paragraph 15.02.A.

2. If OWNER refuses to make payment of the full amount recommended by ENGINEER, OWNER must give CONTRACTOR immediate written notice (with a copy to ENGINEER) stating the reasons for such action and promptly pay CONTRACTOR any amount remaining after deduction of the amount so withheld. OWNER shall promptly pay CONTRACTOR the amount so withheld, or any adjustment thereto agreed to by OWNER and CONTRACTOR, when CONTRACTOR corrects to OWNER's satisfaction the reasons for such action.

3. If it is subsequently determined that OWNER's refusal of payment was not justified, the amount wrongfully withheld shall be treated as an amount due as determined by paragraph 14.02.C.1.

14.03 *CONTRACTOR's Warranty of Title*

A. CONTRACTOR warrants and guarantees that title to all Work, materials, and equipment covered by any Application for Payment, whether incorporated in the Project or not, will pass to OWNER no later than the time of payment free and clear of all Liens.

14.04 *Substantial Completion*

A. When CONTRACTOR considers the entire Work ready for its intended use CONTRACTOR shall notify OWNER and ENGINEER in writing that the entire Work is substantially complete (except for items specifically listed by CONTRACTOR as incomplete) and request that ENGINEER issue a certificate of Substantial Completion. Promptly thereafter, OWNER, CONTRACTOR, and ENGINEER shall make an inspection of the Work to determine the status of completion. If ENGINEER does not consider the Work substantially complete, ENGINEER will notify CONTRACTOR in writing giving the reasons therefor. If ENGINEER considers the Work substantially complete, ENGINEER will prepare and deliver to OWNER a tentative certificate of Substantial Completion which shall fix the date of Substantial Completion. There shall be attached to the certificate a tentative list of items to be completed or corrected before final payment. OWNER shall have seven days after receipt of the tentative certificate during which to make written objection to ENGINEER as to any provisions of the certificate or attached list. If, after considering such objections, ENGINEER concludes that the Work is not substantially complete, ENGINEER will within 14 days after submission of the tentative certificate to OWNER notify CONTRACTOR in writing, stating the reasons therefor. If, after consideration of OWNER's objections, ENGINEER considers the Work substantially complete, ENGINEER will within said 14 days execute and deliver to OWNER and CONTRACTOR a definitive certificate of Substantial Completion (with a revised tentative list of items to be completed or corrected) reflecting such changes from the tentative certificate as ENGINEER believes justified after consideration of any objections from OWNER. At the time of delivery of the tentative certificate of Substantial Completion ENGINEER will deliver to OWNER and CONTRACTOR a written recommendation as to division of responsibilities pending final payment between OWNER and CONTRACTOR with respect to security, operation, safety, and protection of the Work, maintenance, heat, utilities, insurance, and warranties and guarantees. Unless OWNER and CONTRACTOR agree otherwise in writing and so inform ENGINEER in writing prior to ENGINEER's issuing the definitive certificate of Substantial Completion,

ENGINEER's aforesaid recommendation will be binding on OWNER and CONTRACTOR until final payment.

B. OWNER shall have the right to exclude CONTRACTOR from the Site after the date of Substantial Completion, but OWNER shall allow CONTRACTOR reasonable access to complete or correct items on the tentative list.

14.05 *Partial Utilization*

A. Use by OWNER at OWNER's option of any substantially completed part of the Work which has specifically been identified in the Contract Documents, or which OWNER, ENGINEER, and CONTRACTOR agree constitutes a separately functioning and usable part of the Work that can be used by OWNER for its intended purpose without significant interference with CONTRACTOR's performance of the remainder of the Work, may be accomplished prior to Substantial Completion of all the Work subject to the following conditions.

1. OWNER at any time may request CONTRACTOR in writing to permit OWNER to use any such part of the Work which OWNER believes to be ready for its intended use and substantially complete. If CONTRACTOR agrees that such part of the Work is substantially complete, CONTRACTOR will certify to OWNER and ENGINEER that such part of the Work is substantially complete and request ENGINEER to issue a certificate of Substantial Completion for that part of the Work. CONTRACTOR at any time may notify OWNER and ENGINEER in writing that CONTRACTOR considers any such part of the Work ready for its intended use and substantially complete and request ENGINEER to issue a certificate of Substantial Completion for that part of the Work. Within a reasonable time after either such request, OWNER, CONTRACTOR, and ENGINEER shall make an inspection of that part of the Work to determine its status of completion. If ENGINEER does not consider that part of the Work to be substantially complete, ENGINEER will notify OWNER and CONTRACTOR in writing giving the reasons therefor. If ENGINEER considers that part of the Work to be substantially complete, the provisions of paragraph 14.04 will apply with respect to certification of Substantial Completion of that part of the Work and the division of responsibility in respect thereof and access thereto.

2. No occupancy or separate operation of part of the Work may occur prior to compliance with the requirements of paragraph 5.10 regarding property insurance.

14.06 *Final Inspection*

A. Upon written notice from CONTRACTOR that the entire Work or an agreed portion thereof is complete, ENGINEER will promptly make a final inspection with OWNER and CONTRACTOR and will notify CONTRACTOR in writing of all particulars in which this inspection reveals that the Work is incomplete or defective. CONTRACTOR shall immediately take such measures as are necessary to complete such Work or remedy such deficiencies.

14.07 *Final Payment*

A. *Application for Payment*

1. After CONTRACTOR has, in the opinion of ENGINEER, satisfactorily completed all corrections identified during the final inspection and has delivered, in accordance with the Contract Documents, all maintenance and operating instructions, schedules, guarantees, Bonds, certificates or other evidence of insurance certificates of inspection, marked-up record documents (as provided in paragraph 6.12), and other documents, CONTRACTOR may make application for final payment following the procedure for progress payments.

2. The final Application for Payment shall be accompanied (except as previously delivered) by: (i) all documentation called for in the Contract Documents, including but not limited to the evidence of insurance required by subparagraph 5.04.B.7; (ii) consent of the surety, if any, to final payment; and (iii) complete and legally effective releases or waivers (satisfactory to OWNER) of all Lien rights arising out of or Liens filed in connection with the Work.

3. In lieu of the releases or waivers of Liens specified in paragraph 14.07.A.2 and as approved by OWNER, CONTRACTOR may furnish receipts or releases in full and an affidavit of CONTRACTOR that: (i) the releases and receipts include all labor, services, material, and equipment for which a Lien could be filed; and (ii) all payrolls, material and equipment bills, and other

indebtedness connected with the Work for which OWNER or OWNER's property might in any way be responsible have been paid or otherwise satisfied. If any Subcontractor or Supplier fails to furnish such a release or receipt in full, CONTRACTOR may furnish a Bond or other collateral satisfactory to OWNER to indemnify OWNER against any Lien.

B. *Review of Application and Acceptance*

1. If, on the basis of ENGINEER's observation of the Work during construction and final inspection, and ENGINEER's review of the final Application for Payment and accompanying documentation as required by the Contract Documents, ENGINEER is satisfied that the Work has been completed and CONTRACTOR's other obligations under the Contract Documents have been fulfilled, ENGINEER will, within ten days after receipt of the final Application for Payment, indicate in writing ENGINEER's recommendation of payment and present the Application for Payment to OWNER for payment. At the same time ENGINEER will also give written notice to OWNER and CONTRACTOR that the Work is acceptable subject to the provisions of paragraph 14.09. Otherwise, ENGINEER will return the Application for Payment to CONTRACTOR, indicating in writing the reasons for refusing to recommend final payment, in which case CONTRACTOR shall make the necessary corrections and resubmit the Application for Payment.

C. *Payment Becomes Due*

1. Thirty days after the presentation to OWNER of the Application for Payment and accompanying documentation, the amount recommended by ENGINEER will become due and, when due, will be paid by OWNER to CONTRACTOR.

14.08 *Final Completion Delayed*

A. If, through no fault of CONTRACTOR, final completion of the Work is significantly delayed, and if ENGINEER so confirms, OWNER shall, upon receipt of CONTRACTOR's final Application for Payment and recommendation of ENGINEER, and without terminating the Agreement, make payment of the balance due for that portion of the Work fully completed and accepted. If the remaining balance to be held by OWNER for Work not

fully completed or corrected is less than the retainage stipulated in the Agreement, and if Bonds have been furnished as required in paragraph 5.01, the written consent of the surety to the payment of the balance due for that portion of the Work fully completed and accepted shall be submitted by CONTRACTOR to ENGINEER with the Application for such payment. Such payment shall be made under the terms and conditions governing final payment, except that it shall not constitute a waiver of Claims.

14.09 *Waiver of Claims*

A. The making and acceptance of final payment will constitute:

1. a waiver of all Claims by OWNER against CONTRACTOR, except Claims arising from unsettled Liens, from defective Work appearing after final inspection pursuant to paragraph 14.06, from failure to comply with the Contract Documents or the terms of any special guarantees specified therein, or from CONTRACTOR's continuing obligations under the Contract Documents; and

2. a waiver of all Claims by CONTRACTOR against OWNER other than those previously made in writing which are still unsettled.

ARTICLE 15 - SUSPENSION OF WORK AND TERMINATION

15.01 *OWNER May Suspend Work*

A. At any time and without cause, OWNER may suspend the Work or any portion thereof for a period of not more than 90 consecutive days by notice in writing to CONTRACTOR and ENGINEER which will fix the date on which Work will be resumed. CONTRACTOR shall resume the Work on the date so fixed. CONTRACTOR shall be allowed an adjustment in the Contract Price or an extension of the Contract Times, or both, directly attributable to any such suspension if CONTRACTOR makes a Claim therefor as provided in paragraph 10.05.

15.02 *OWNER May Terminate for Cause*

A. The occurrence of any one or more of the following events will justify termination for cause:

1. CONTRACTOR's persistent failure to perform the Work in accordance with the Contract Documents (including, but not limited to, failure to supply sufficient skilled workers or suitable materials or equipment or failure to adhere to the progress schedule established under paragraph 2.07 as adjusted from time to time pursuant to paragraph 6.04);

2. CONTRACTOR's disregard of Laws or Regulations of any public body having jurisdiction;

3. CONTRACTOR's disregard of the authority of ENGINEER; or

4. CONTRACTOR's violation in any substantial way of any provisions of the Contract Documents.

B. If one or more of the events identified in paragraph 15.02.A occur, OWNER may, after giving CONTRACTOR (and the surety, if any) seven days written notice, terminate the services of CONTRACTOR, exclude CONTRACTOR from the Site, and take possession of the Work and of all CONTRACTOR's tools, appliances, construction equipment, and machinery at the Site, and use the same to the full extent they could be used by CONTRACTOR (without liability to CONTRACTOR for trespass or conversion), incorporate in the Work all materials and equipment stored at the Site or for which OWNER has paid CONTRACTOR but which are stored elsewhere, and finish the Work as OWNER may deem expedient. In such case, CONTRACTOR shall not be entitled to receive any further payment until the Work is finished. If the unpaid balance of the Contract Price exceeds all claims, costs, losses, and damages (including but not limited to all fees and charges of engineers, architects, attorneys, and other professionals and all court or arbitration or other dispute resolution costs) sustained by OWNER arising out of or relating to completing the Work, such excess will be paid to CONTRACTOR. If such claims, costs, losses, and damages exceed such unpaid balance, CONTRACTOR shall pay the difference to OWNER. Such claims, costs, losses, and damages incurred by OWNER will be reviewed by ENGINEER as to their reasonableness and, when so approved by ENGINEER, incorporated in a Change Order. When exercising any rights or remedies under this paragraph OWNER shall not be required to obtain the lowest price for the Work performed.

C. Where CONTRACTOR's services have been so terminated by OWNER, the termination will not affect any rights or remedies of OWNER against CONTRACTOR then existing or which may thereafter accrue. Any retention or payment of moneys due CONTRACTOR by OWNER will not release CONTRACTOR from liability.

15.03 OWNER May Terminate For Convenience

A. Upon seven days written notice to CONTRACTOR and ENGINEER, OWNER may, without cause and without prejudice to any other right or remedy of OWNER, elect to terminate the Contract. In such case, CONTRACTOR shall be paid (without duplication of any items):

1. for completed and acceptable Work executed in accordance with the Contract Documents prior to the effective date of termination, including fair and reasonable sums for overhead and profit on such Work;

2. for expenses sustained prior to the effective date of termination in performing services and furnishing labor, materials, or equipment as required by the Contract Documents in connection with uncompleted Work, plus fair and reasonable sums for overhead and profit on such expenses;

3. for all claims, costs, losses, and damages (including but not limited to all fees and charges of engineers, architects, attorneys, and other professionals and all court or arbitration or other dispute resolution costs) incurred in settlement of terminated contracts with Subcontractors, Suppliers, and others; and

4. for reasonable expenses directly attributable to termination.

B. CONTRACTOR shall not be paid on account of loss of anticipated profits or revenue or other economic loss arising out of or resulting from such termination.

15.04 CONTRACTOR May Stop Work or Terminate

A. If, through no act or fault of CONTRACTOR, the Work is suspended for more than 90 consecutive days by OWNER or under an order of court or other public authority, or ENGINEER fails to act on any Application for Payment within 30 days after it is submitted, or OWNER fails for 30 days to pay CONTRACTOR any sum finally determined to be due, then CONTRACTOR may, upon

seven days written notice to OWNER and ENGINEER, and provided OWNER or ENGINEER do not remedy such suspension or failure within that time, terminate the Contract and recover from OWNER payment on the same terms as provided in paragraph 15.03. In lieu of terminating the Contract and without prejudice to any other right or remedy, if ENGINEER has failed to act on an Application for Payment within 30 days after it is submitted, or OWNER has failed for 30 days to pay CONTRACTOR any sum finally determined to be due, CONTRACTOR may, seven days after written notice to OWNER and ENGINEER, stop the Work until payment is made of all such amounts due CONTRACTOR, including interest thereon. The provisions of this paragraph 15.04 are not intended to preclude CONTRACTOR from making a Claim under paragraph 10.05 for an adjustment in Contract Price or Contract Times or otherwise for expenses or damage directly attributable to CONTRACTOR's stopping the Work as permitted by this paragraph.

ARTICLE 16 - DISPUTE RESOLUTION

16.01 Methods and Procedures

A. Dispute resolution methods and procedures, if any, shall be as set forth in the Supplementary Conditions. If no method and procedure has been set forth, and subject to the provisions of paragraphs 9.09 and 10.05, OWNER and CONTRACTOR may exercise such rights or remedies as either may otherwise have under the Contract Documents or by Laws or Regulations in respect of any dispute.

ARTICLE 17 - MISCELLANEOUS

17.01 Giving Notice

A. Whenever any provision of the Contract Documents requires the giving of written notice, it will be deemed to have been validly given if delivered in person to the individual or to a member of the firm or to an officer of the corporation for whom it is intended, or if delivered at or sent by registered or certified mail, postage prepaid, to the last business address known to the giver of the notice.

17.02 Computation of Times

A. When any period of time is referred to in the Contract Documents by days, it will be computed to

exclude the first and include the last day of such period. If the last day of any such period falls on a Saturday or Sunday or on a day made a legal holiday by the law of the applicable jurisdiction, such day will be omitted from the computation.

17.03 *Cumulative Remedies*

A. The duties and obligations imposed by these General Conditions and the rights and remedies available hereunder to the parties hereto are in addition to, and are not to be construed in any way as a limitation of, any rights and remedies available to any or all of them which are otherwise imposed or available by Laws or Regulations, by special warranty or guarantee, or by other provisions of the Contract Documents, and the provisions of this paragraph will be as effective as if repeated specifically in the Contract Documents in connection with each particular duty, obligation, right, and remedy to which they apply.

17.04 *Survival of Obligations*

A. All representations, indemnifications, warranties, and guarantees made in, required by, or given in accordance with the Contract Documents, as well as all continuing obligations indicated in the Contract Documents, will survive final payment, completion, and acceptance of the Work or termination or completion of the Agreement.

17.05 *Controlling Law*

A. This Contract is to be governed by the law of the state in which the Project is located.

II.2 SUPPLEMENTAL GENERAL CONDITIONS

These Supplementary Conditions amend or supplement the Standard General Conditions of the Construction Contract (No. 1910-8, 1996 Edition) and other provisions of the Contract Documents as indicated below. All provisions, which are not so amended or supplemental, remain in full force and effect.

The terms used in these Supplementary Conditions will have the meanings indicated in the General Conditions. Additional terms used in these Supplementary Conditions have the meanings indicated below, which are applicable to both the singular and plural thereof.

SC-6.10 Delete paragraph 6.10 in its entirety and insert the following in its place:

The owner qualifies for the state and local tax exemption in the purchase of certain materials and equipment, the Contractor shall utilize the form provided herewith exhibit "D".

SC-11.01 Delete paragraph 11.01 in its entirety.

SC-11.02 Delete paragraph 11.02 in its entirety.

SC-12.01B.25 & B.3 Delete paragraph 12.01B.2 & B.3 in its entirety.

SC-12.01.C.2 Delete paragraph 12.01.C.2 in its entirety.

SC Article 14.02 C.1 Replace "Ten days" with "Thirty days" to read as follows: Thirty days after presentation of the Application for Payment to OWNER with ENGINEER'S recommendation, the amount recommended will (subject to the provisions of paragraph 14.02.D) become due, and when due will be paid by the OWNER TO CONTRACTOR.

SC Article 16 Add the following language at the end of the paragraph of Article 16:

There are no dispute resolution methods and procedures set forth in the Supplemental Conditions:

GENERAL PREVAILING WAGE LEGAL REQUIREMENTS

The Contractor's attention is called to Texas Government Code Chapter 2258, which must be complied with attached herewith as Exhibit "C"

II.2 SUPPLEMENTAL GENERAL CONDITIONS

These Supplementary Conditions amend or supplement the Standard General Conditions of the Construction Contract (No. 1910-8, 1996 Edition) and other provisions of the Contract Documents as indicated below. All provisions, which are not so amended or supplemental, remain in full force and effect.

The terms used in these Supplementary Conditions will have the meanings indicated in the General Conditions. Additional terms used in these Supplementary Conditions have the meanings indicated below, which are applicable to both the singular and plural thereof.

SC-6.10 Delete paragraph 6.10 in its entirety and insert the following in its place:

The owner qualifies for the state and local tax exemption in the purchase of certain materials and equipment, the Contractor shall utilize the form provided herewith exhibit "D".

SC-11.01 Delete paragraph 11.01 in its entirety.

SC-11.02 Delete paragraph 11.02 in its entirety.

SC-12.01B.25 & B.3 Delete paragraph 12.01B.2 & B.3 in its entirety.

SC-12.01.C.2 Delete paragraph 12.01.C.2 in its entirety.

SC Article 14.02 C.1 Replace "Ten days" with "Thirty days" to read as follows: Thirty days after presentation of the Application for Payment to OWNER with ENGINEER'S recommendation, the amount recommended will (subject to the provisions of paragraph 14.02.D) become due, and when due will be paid by the OWNER TO CONTRACTOR.

SC Article 16 Add the following language at the end of the paragraph of Article 16:

There are no dispute resolution methods and procedures set forth in the Supplemental Conditions:

GENERAL PREVAILING WAGE LEGAL REQUIREMENTS

The Contractor's attention is called to Texas Government Code Chapter 2258, which must be complied with attached herewith as Exhibit "C"

ENGINEER'S CERTIFICATION

The selected Specifications, Special Provisions, Special Specifications, General Notes and Specification Data in this document have been selected by me, or under my responsible supervisions as being applicable to this project. Alteration of a sealed document without proper notification to the responsible engineer is an offense under the Texas Engineering Practice Act.



The seal appearing on this document was authorized by:

Engineer's Name: Mark D. Corbitt, P.E.

Engineer Signature: *Mark Corbitt*

Date: August 16, 2016

II.3 GOVERNING SPECIFICATIONS

The following specifications and special provisions are those under which payment is to be made. These, together with such other pertinent items, if any, as may be referred to in the specifications and below, and including the special provisions listed below, constitute the governing specifications for this Contract.

STANDARD SPECIFICATIONS

List of Governing General Specifications

- Item 1 thru 9
- Item 105
- Item 110
- Item 132
- Item 204
- Item 210
- Item 216
- Item 247
- Item 300
- Item 301
- Item 310
- Item 316
- Item 320
- Item 341
- Item 421
- Item 440
- Item 441
- Item 442
- Item 445
- Item 520
- Item 560
- Item 585
- Item 636
- Item 643/644
- Item 656
- Item 662
- Item 666
- Item 677
- Item 678
- Item 760

Note: the general specifications listed above can be found online at:

<http://www.txdot.gov/business/resources/txdot-specifications.html>

under **“2014 Standard Specifications for Construction and Maintenance of Highways, Streets and Bridges.**

SPECIAL PROVISIONS

The following special provisions to the standard specifications are enclosed herewith, and are listed as follows:

**Paving and Drainage Improvements for Nittler Road
Hidalgo County Precinct No. 1
Contract Number: C-16-289-09-06**

SPECIAL SPECIFICATIONS

The following special specifications are listed as follows, and enclosed herewith:

Special Specification 5001

Geogrid Base Reinforcement



1. DESCRIPTION

Furnish and place geogrid base reinforcement in accordance with the lines and grades shown on the plans or as directed.

2. MATERIALS

Provide geogrid base reinforcement, of the type shown on the plans, meeting the requirements of DMS-6240 "Geogrid for Base/Embankment Reinforcement." Use roll widths and lengths shown on the plans or as approved.

3. CONSTRUCTION

Prepare the subgrade as indicated on the plans or as directed. Set string lines for alignment if directed. Install geogrid in accordance with the lines and grades as shown on the plans. Place base material in lift thicknesses and compact as shown on the plans or as directed. Do not operate tracked construction equipment on the geogrid until a minimum fill cover of 6 in. is achieved. Rubber tire construction equipment may operate directly on the geogrid at speeds of less than 5 mph if the underlying material will support the loads. Where excessive substructure deformation is apparent, correct grid placement operations as recommended by the manufacturer or as directed.

3.1. **Geogrid Placement.** Orient the geogrid length as unrolled parallel to the direction of roadway. Overlap geogrid sections as shown on the plans or as directed. Use plastic ties at overlap joints or as directed. Placement of geogrid around corners may require cutting and diagonal lapping. Pin geogrid at the beginning of the backfill section as directed. Keep geogrid taut at the beginning of the backfilling section but not restrained from stretching or flattening.

3.1.1. **Longitudinal Joints.** Overlap longitudinal joints by a minimum of 1 ft. Space longitudinal ties 10 ft. to 20 ft. or as directed.

3.1.2. **Transverse Joints.** Overlap transverse joints by a minimum of 1 ft. Space transverse ties 4 ft. to 5 ft. or as directed.

3.2. **Damage Repair.** As directed, remove and replace contractor damaged or excessively deformed areas without additional compensation. Lap repair areas a minimum of 3 ft in all directions. Tie each side of repair grid in at least 3 locations but do not exceed normal construction spacing; tie spacing for odd shapes will be as directed. Repair excessively deformed materials underlying the grid as directed.

4. MEASUREMENT

Geogrid base reinforcement will be measured by the square yard of roadway placement as shown in the plans with no allowance for overlapping at transverse and longitudinal joints.

5. PAYMENT

The work performed and materials furnished in accordance with this Item and measured as provided under "Measurement" are paid for at the unit bid price for "Geogrid Base Reinforcement" of the type specified. This

price is full compensation for furnishing, preparing, hauling and placing materials including labor, materials, freight, tools, equipment and incidentals.

SPECIAL SPECIFICATION

Item 7000

Surface Water Pollution Prevention Plan (SW3P) & Implementation

1. DESCRIPTION

The Contractor will provide the following for this item:

- An SW3P plan that is approved by the Engineer/Owner
- Necessary permits (i.e. – NOI) and associated fees
- All BMPs as indicated on the approved SW3P plan
- Maintenance and inspection of the SW3P upon its implementation and until a NOT (Notice of Termination) has been filed and accepted by the TCEQ

2. MATERIALS

Furnish materials shown in the contractor provided SW3P and as approved by the engineer/owner.

3. CONSTRUCTION

The Contractor will maintain the SW3P in accordance with TCEQ requirements throughout construction and until the NOT has been filed by the contractor with the TCEQ.

4. MEASUREMENT

This Item will be paid as a Lump Sum Item

5. PAYMENT

Payment for Storm Water Pollution Prevention Plan will include all labor, equipment and materials to complete the work as described in the approved SW3P plan and any necessary permits and associated fees.

SPECIAL SPECIFICATION

Item 8000

Traffic Control Plan and Barricades, Signs, and Traffic Handling

1. DESCRIPTION

Provide a Traffic Control Plan (TCP) that has been signed and sealed by a Licensed Professional Engineer. Submit the TCP to the owner and/or project engineer for review and approval prior to implementation of the TCP.

Provide, install, move, replace, maintain, clean, and remove all traffic control devices shown on the plans and as directed.

2. CONSTRUCTION

Comply with all local, state and federal safety requirements.

Implement the traffic control plan (TCP) shown on the plans.

Install traffic control devices straight and plumb. Make changes to the TCP only as approved. Minor adjustments to meet field conditions are allowed.

Submit any Contractor-proposed TCP changes, signed and sealed by a licensed professional engineer, for approval. Changes must conform to guidelines established in the TMUTCD using approved products from the Texas Department of Transportation's Compliant Work Zone Traffic Control Device List or County approved equivalents.

Maintain traffic control devices by taking corrective action when notified. Corrective actions include, but are not limited to, cleaning, replacing, straightening, covering, and removing devices. Maintain the devices such that they are properly positioned and spaced, legible, and have retroreflective characteristics that meet requirements day or night and in all weather conditions.

The Engineer may authorize or direct in writing the removal or relocation of project limit advance warning signs. When project limit advance warning signs are removed before final acceptance, provide traffic control in accordance with the TMUTCD for minor operations as approved.

Remove all traffic control devices upon completion of the work as shown on the plans or as directed.

3. MEASUREMENT

Traffic Control Plan and Barricades, Signs, and Traffic Handling will be measured by the Lump Sum.

4. PAYMENT

- 4.1. **Traffic Control Plan and Barricades, Signs, and Traffic Handling.** Except for Contracts with callout work and work orders, the work performed and materials furnished in accordance with this Item and measured as provided under "Measurement" will be paid for at the unit price bid for "Traffic Control Plan and Barricades, Signs, and Traffic Handling." This price is full compensation for a signed/sealed TCP, installation of traffic control devices, maintenance, adjustments, replacements, removal, materials, equipment, labor, tools, and incidentals.

The work performed and materials furnished in accordance with this Item and measured as provided under "Measurement" will be paid for at the unit price bid for "Traffic Control Plan and Barricades, Signs, and Traffic Handling." This price is full compensation for development of a signed/sealed TCP, installation, maintenance, adjustments, replacements, removal, materials, equipment, labor, tools, and incidentals.

When the plans establish pay items for particular work in the TCP, that work will be subsidiary to the pertinent Items.

4.1.1.

Initiation of Payment. Payment for this Item will begin after the signed/sealed TCP has been submitted to the County for review and/or approval. Payment for this Lump sum item will be in accordance with the following table:

Submittal of Sign/Sealed TCP for review/approval	30% of lump sum
Approval of TCP	10% of lump sum
Implementation of TCP	30% of lump sum
Removal of TCP upon completion of construction	30% of lump sum

If the Contractor fails to provide or properly maintain signs and barricades in compliance with the approved TCP, the Contractor will be considered in noncompliance with this Item. No payment will be made until the contractor is in compliance with the approved TCP.

**Paving and Drainage Improvements for Nittler Road
Hidalgo County Precinct No. 1
Contract Number: C-16-289-09-06**

II.4 GENERAL NOTES

The general notes for this Contract are located on the plan sheets for the Nittler Rd. Project.

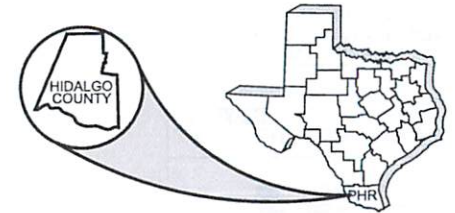
**Paving and Drainage Improvements for Nittler Road
Hidalgo County Precinct No. 1
Contract Number: C-16-289-09-06**

PART III

CONSTRUCTION DRAWINGS

HIDALGO COUNTY PCT. 1

CONSTRUCTION PLANS NITTLER ROAD



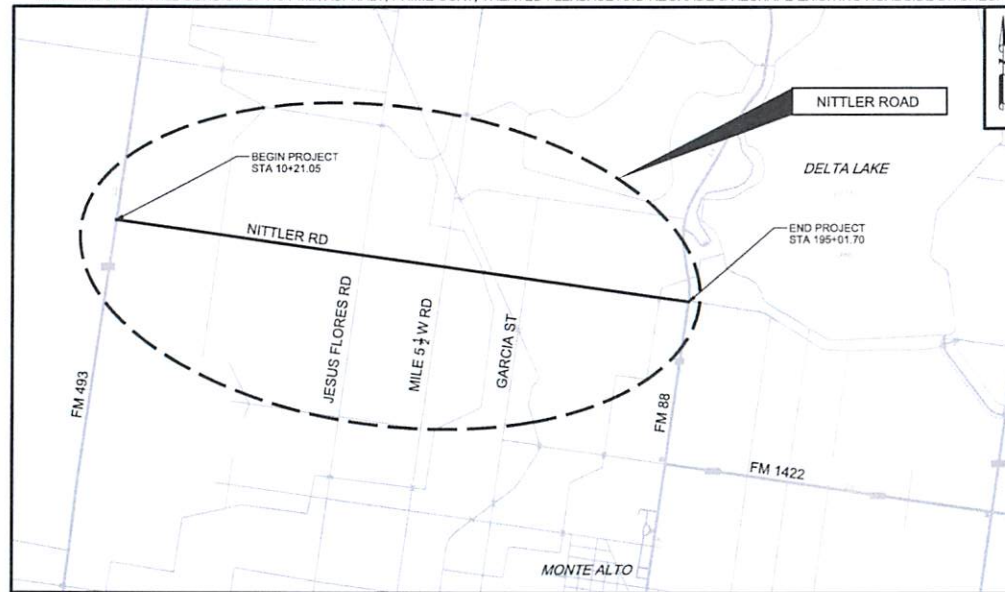
PROJECT LIMITS:
NITTLER RD = 18,481 FT = 3.50 MI

TOTAL LENGTH OF PROJECT = 18,481 FT = 3.50 MI

CONSTRUCTION WILL CONSIST OF HOT MIX ASPHALT, PRIME COAT, TREATED FLEXBASE AND REGRADE & RESHAPE EXISTING ROADSIDE DITCHES.

INDEX OF SHEETS

SHEET NO.	DESCRIPTION
1	TITLE SHEET
2	TYPICAL SECTIONS
3-4	GENERAL NOTES
5	SUMMARY OF ESTIMATED QUANTITIES
6-21	PLAN & PROFILE SHEETS
22-25	(S)-MD-1(1)
26	(S)-SMD (GEK) - 08
27-29	(S)-SMD (SLIP-1), (SLIP-2) AND (SLIP-3)-08
30	(S)-PM(1)-12
	(D)- DENOTES DISTRICT STANDARD
	(S)- DENOTES STATE STANDARD



LOCATION MAP
N.T.S.



Mark Corbett
MARK D. CORBITT DATE 6/18/2016

THE STANDARD SHEETS SPECIFICALLY IDENTIFIED ABOVE, HAVE BEEN SELECTED BY ME OR UNDER MY RESPONSIBLE SUPERVISION AS BEING APPLICABLE TO THIS PROJECT.

HIDALGO COUNTY COMMISSIONER'S COURT

RAMON GARCIA	- COUNTY JUDGE
A.C. CUELLAR, JR.	- COMMISSIONER, PCT 1
EDUARDO "EDDIE" CANTU	- COMMISSIONER, PCT 2
JOE M. FLORES	- COMMISSIONER, PCT 3
JOSEPH PALACIOS	- COMMISSIONER, PCT 4



TEDSI INFRASTRUCTURE GROUP
Consulting Engineers
1201 E. Expressway 83 • Mission, Texas 78572
(956) 424-7898
TBPE FIRM No. 1640

COUNTY: HIDALGO PROJ. NO.: _____ LETTING DATE: _____
HWY. NO.: NITTLER ROAD DATE ACCEPTED: _____

DATE: _____
FILE: _____

ITEM 644. Small Roadside Sign Supports and Assemblies

All signs shall be installed as shown in the plans and in accordance with the current edition of the "Texas Manual on Uniform Traffic Control Devices".

The Contractor shall remove the complete sign installation and separate the sign post at the concrete foundation. The Contractor shall dispose of the concrete foundation in accordance with this Bid Item. Except for concrete foundations, all removed sign panels, sign posts, and hardware shall remain the property of the Hidalgo County. All removed sign installations shall be completely disassembled. All salvageable sections of sign panels shall be delivered to the Hidalgo County. The Contractor will be required to haul the removed sign material to the maintenance yard closest to the project. No signs shall be removed without prior approval of the Engineer.

ITEMS 666. ReflectORIZED Pavement Markings

All permanent pavement markings and work zone pavement markings for this project under these items shall be 0.100 inches (100 mil) thick thermoplastic.

Any permanent pavement markings or non-removal work zone pavement markings lacking reflectivity in accordance with test method Tex 828-B, will not be paid for. The roadway will be re-stripped at no additional compensation, if striping fails test method Tex828-B.

Pavement surface preparation for markings and markers will not be paid for directly, but shall be considered subsidiary to Item 666. Prior to any striping operations, an on-site coordination meeting between all the parties involved will be required to review striping details and requirements to ensure quality work.

The beads used on this project shall meet the requirements of Departmental Materials Specification DIMS-6290, Glass Traffic Beads Texas Type II & III. Use a 50% Type III/ 50% Type III mix utilizing a double drop system with Type II beads dropped first.

ITEM 760. Cleaning and Reshaping Ditches

Excavate and remove excess material from ditches and from around fixtures within the limits of the excavation or reshape by cleaning silt from the ditch and spreading on backlope as approved. Reshape ditches in conformance with the lines, grades, and typical cross-sections shown on the plans, or as directed. Dispose of excess material in accordance with applicable federal, state, and local regulations, or place on right of way, as directed. Maintain ditch drainage during cleaning and reshaping work.

ITEM 5001. Geogrid Base Reinforcement

Provide a construction pain to the Engineer detailing how the base will be limed treated without damaging the Geogrid Base Reinforcement placed on top of the subgrade



Mark D. Corbett
MARK D. CORBETT
DATE: 8/15/2019



TEDSI
TEDSI INFRASTRUCTURE GROUP
Consulting Engineers
1301 E. Espinoza St.
Brownsville, TX 77801
(361) 434-2144

**NITTLER ROAD
GENERAL NOTES**

NO.	DATE	BY	CHKD	DATE	BY	CHKD	DATE	BY	CHKD
1									
2									
3									
4									
5									
6									
7									
8									
9									
10									
11									
12									
13									
14									
15									
16									
17									
18									
19									
20									

SHEET 2 OF 2

FILE	NITTLER-091
DATE	8/15/2019 4:28:06 PM
DATE ACCEPTED	
HWY NO.	NITTLER ROAD
PROJ. NO.	LETTING DATE
COUNTY	HIDALGO
SHEET NO.	4

ESTIMATE & QUANTITY SUMMARY

ITEM NO.	LOCATION	110	132	247	260	260	260	310	341	666	760	5001	7000	8000
		EXCAVATION (ROADWAY)	EMBANKMENT (FINAL) (DENS CONT) (TY C)	FLEX BS (RDWY DEL) (TY E GR 4) (FINAL POS)	LIME TRT (NEW BASE) (6")	LIME TRT (EXIST MATL) (2")	LIME (HYD, COM, OR OK(SLURRY))	PRIME COAT (MC - 30) (0.2 GAL/SY)	D-GR HMA TY-D SAC-A PG64-22	REFL PAV WIRET REQ TY 1 (Y) (4") (BRK) (100 MIL)	CLEANING AND RESHAPING DITCHES	GEOGRID BS REINF. (BX 1200)	STORMWATER POLLUTION PREVENTION PLAN	TRAFFIC CONTROL PLAN
	NITTLER ROAD	(CY)	(CY)	(CY)	(SY)	(SY)	(TON)	(GAL)	(TON)	(LF)	(LF)	(SY)	(LS)	(LS)
	THROUGHOUT PROJECT	13051	525	9557	57342	57342	323	9631	5604	4620	36650	57342	1	1
	TOTAL:	13051	525	9557	57342	57342	323	9631	5604	4620	36650	57342	1	1



TEDSI INFRASTRUCTURE GROUP
 Consulting Engineers
 1201 E. Expressway #1
 Mission, TX 78148
 (512) 424-7100

**NITTLER ROAD
 SUMMARY OF
 ESTIMATED QUANTITIES**

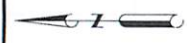
DATE	8/16/2016	4:28:09 PM
FILE	NITTLER-C0.dgn	
DATE ACCEPTED		
HMY NO.	NITTLER ROAD	LETTING DATE
COUNTY	HIDALGO	PROJ NO.
CONTRACT		
SHEET NO.		
CITY		
COUNTY	HIDALGO	
SHEET NO.		
CITY		

SHEET 1 OF 1

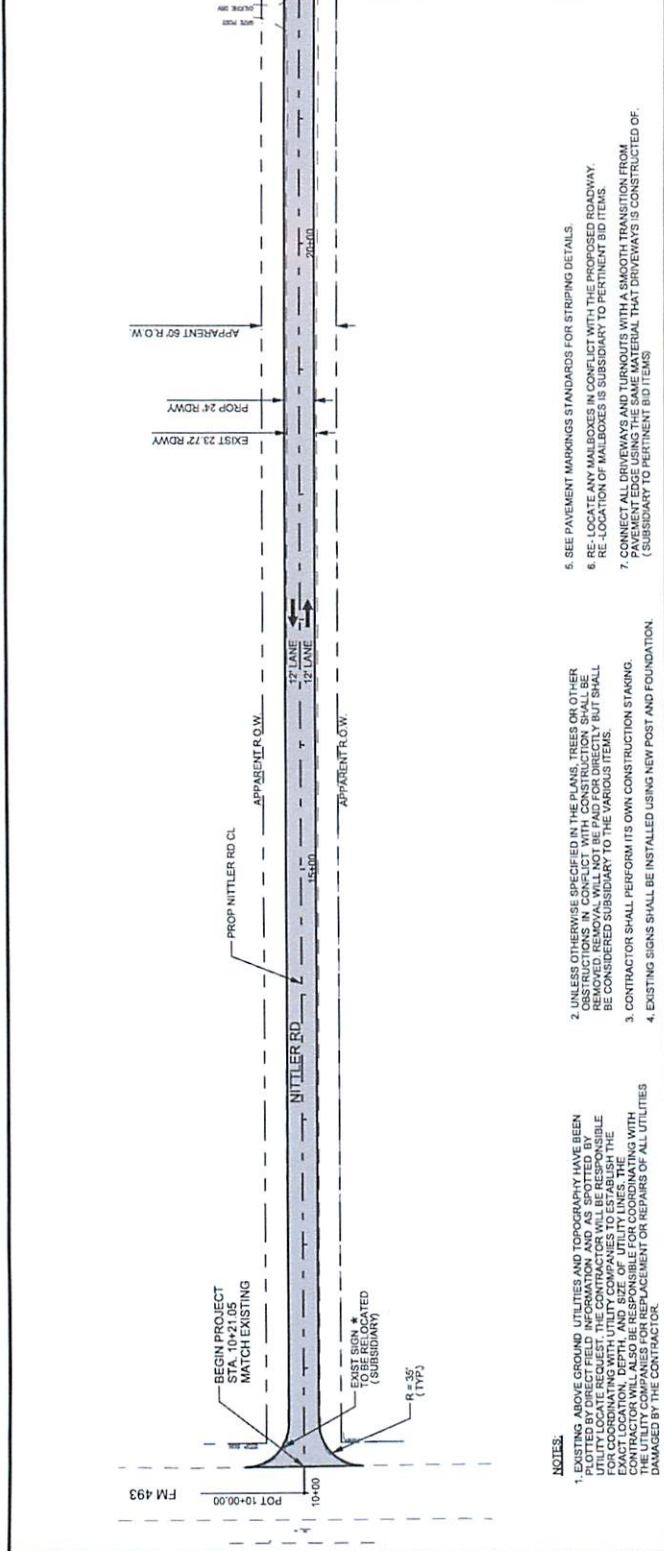
- LEGEND**
- GAS LINE
 - EXIST UT
 - EXIST WATER LINE
 - EXIST SANITARY LINE
 - EXIST STORM LINE
 - EXIST OVERHEAD ELECTRIC
 - EXIST UNDERGROUND ELECTRIC
 - EXIST CHAINLINK FENCE

- PROPOSED**
- PROP ROAD
 - EXIST MAILBOX

- DIRECTION OF TRAFFIC FLOW
- PROPOSED SMALL SIGN
- ⊗ EXISTING SMALL SIGN TO BE REMOVED
- ⊕ EXISTING SIGN TO REMAIN IN PLACE
- ⊖ EXISTING SIGN TO BE RELOCATED



MATCH LINE STA. 22+00



- NOTES:**
1. EXISTING ABOVE GROUND UTILITIES AND TOPOGRAPHY HAVE BEEN PLOTTED BY DIRECT FIELD INFORMATION AND AS SPOTTED BY UTILITY LOCATE REQUEST. THE CONTRACTOR WILL BE RESPONSIBLE FOR VERIFYING LOCATION, DEPTH, AND SIZE OF UTILITY LINES. THE CONTRACTOR WILL ALSO BE RESPONSIBLE FOR COORDINATING WITH THE UTILITY COMPANIES FOR REPLACEMENT OR REPAIRS OF ALL UTILITIES DAMAGED BY THE CONTRACTOR.
 2. UNLESS OTHERWISE SPECIFIED IN THE PLANS, TREES OR OTHER OBSTRUCTIONS IN CONFLICT WITH CONSTRUCTION SHALL BE REMOVED. REMOVAL WILL NOT BE PAID FOR DIRECTLY BUT SHALL BE CONSIDERED SUBSIDIARY TO THE VARIOUS ITEMS.
 3. CONTRACTOR SHALL PERFORM ITS OWN CONSTRUCTION STAKING.
 4. EXISTING SIGNS SHALL BE INSTALLED USING NEW POST AND FOUNDATION.
 5. SEE PAVEMENT MARKINGS STANDARDS FOR STRIPING DETAILS.
 6. RE-LOCATE ANY MAILBOXES IN CONFLICT WITH THE PROPOSED ROADWAY. RE-LOCATION OF MAILBOXES IS SUBSIDIARY TO PERTINENT BID ITEMS.
 7. CONNECT ALL DRIVEWAYS AND TURNOUTS WITH A SMOOTH TRANSITION FROM THE PAVEMENT EDGE USING THE SAME MATERIAL THAT DRIVEWAYS IS CONSTRUCTED OF. (SUBSIDIARY TO PERTINENT BID ITEMS)

MARK D. COBBITT
DATE: 8/16/2016

Hidalgo County
Precinct 1

TEDSI INFRASTRUCTURE GROUP
Consulting Engineers
1301 E. Expressway 83
Houston, TX 77060
(713) 414-7368

**NITTLER ROAD
PLAN AND PROFILE**
STA. 10+00 TO STA. 22+00

SCALE:
HORIZ. 1" = 100'
VERT. 1" = 10'

DATE	BY	APP.	CHKD.	DATE	BY

SHEET 1 OF 16
NITTLER RD
COUNTY
HIDALGO
SHEET NO.
6

LEGEND

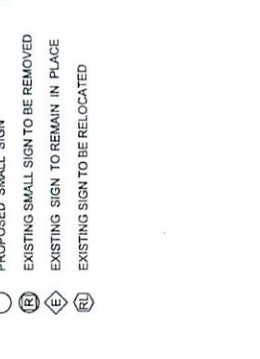
- GAS
- UT
- EXIST UG PHONE LINE
- EXIST WATER LINE
- EXIST SANITARY LINE
- EXIST STORM LINE
- EXIST OVERHEAD ELECTRIC
- EXIST UNDERGROUND ELECTRIC
- EXIST CHAINLINK FENCE

PROP ROAD
 PROP MAILBOX

○ DIRECTION OF TRAFFIC FLOW
 ○ PROPOSED SMALL SIGN
 ○ EXISTING SMALL SIGN TO BE REMOVED
 ○ EXISTING SIGN TO REMAIN IN PLACE
 ○ EXISTING SIGN TO BE RELOCATED

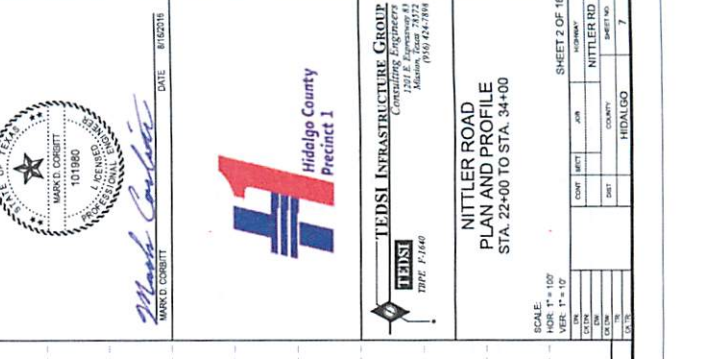
MATCH LINE STA. 22+00

MATCH LINE STA. 34+00



NOTES:

- EXISTING ABOVE GROUND UTILITIES AND TOPOGRAPHY HAVE BEEN SHOWN FOR INFORMATION ONLY. THE CONTRACTOR SHALL BE RESPONSIBLE FOR COORDINATING WITH UTILITY COMPANIES TO ESTABLISH THE EXACT LOCATION OF ALL UTILITIES PRIOR TO CONSTRUCTION. THE CONTRACTOR SHALL ALSO BE RESPONSIBLE FOR MARKING WITH THE UTILITY COMPANIES FOR REPLACEMENT OR REPAIRS OF ALL UTILITIES DAMAGED BY THE CONTRACTOR.
- UNLESS OTHERWISE SPECIFIED IN THE PLANS, TREES OR OTHER OBSTACLES IN CONFLICT WITH CONSTRUCTION SHALL BE REMOVED OR TRIMMED TO CLEAR THE PROPOSED ROADWAY. RE-LOCATION OF MAILBOXES IS SUBSIDIARY TO PERTINENT BID ITEMS.
- CONTRACTOR SHALL PERFORM ITS OWN CONSTRUCTION STAKING. EXISTING SIGNS SHALL BE INSTALLED USING NEW POST AND FOUNDATION.
- SEE PAVEMENT MARKINGS STANDARDS FOR STRIPING DETAILS.
- RE-LOCATE ANY MAILBOXES IN CONFLICT WITH THE PROPOSED ROADWAY. RE-LOCATION OF MAILBOXES IS SUBSIDIARY TO PERTINENT BID ITEMS.
- CONNECT ALL DRIVEWAYS AND TURNOUTS WITH A SMOOTH TRANSITION FROM PAVEMENT EDGE USING THE SAME MATERIAL THAT DRIVEWAYS IS CONSTRUCTED OF. (SUBSIDIARY TO PERTINENT BID ITEMS)



DATE: 8/16/2016 4:28:10 PM
 FILE: NITTLER.P01.dgn
 PROP PCL
 NO @ PROP CL

DATE: 8/16/2016 4:28:10 PM
 FILE: NITTLER.P01.dgn
 PROP PCL
 NO @ PROP CL

SCALE: HORIZONTAL 1" = 100'
 VERTICAL 1" = 10'
 SHEET NO. 7
 SHEET 2 OF 16

SCALE: HORIZONTAL 1" = 100'
 VERTICAL 1" = 10'
 SHEET NO. 7
 SHEET 2 OF 16

NITTLER ROAD
 PLAN AND PROFILE
 STA. 22+00 TO STA. 34+00

NITTLER ROAD
 PLAN AND PROFILE
 STA. 22+00 TO STA. 34+00

HIDELOG COUNTY
 PRECINCT 1

HIDELOG COUNTY
 PRECINCT 1

TEDI INFRASTRUCTURE GROUP
 Consulting Engineers
 101980
 Houston, Texas 77072
 (510) 424-7888

TEDI INFRASTRUCTURE GROUP
 Consulting Engineers
 101980
 Houston, Texas 77072
 (510) 424-7888

MARK D. COBBITT
 DATE: 8/16/2016

MARK D. COBBITT
 DATE: 8/16/2016

HIDELOG COUNTY
 PRECINCT 1

HIDELOG COUNTY
 PRECINCT 1

HIDELOG COUNTY
 PRECINCT 1

HIDELOG COUNTY
 PRECINCT 1

TECSI INFRASTRUCTURE GROUP
 Consulting Engineers
 1201 E. Exposition St.
 Suite 100
 Houston, TX 77054
 (713) 647-7308



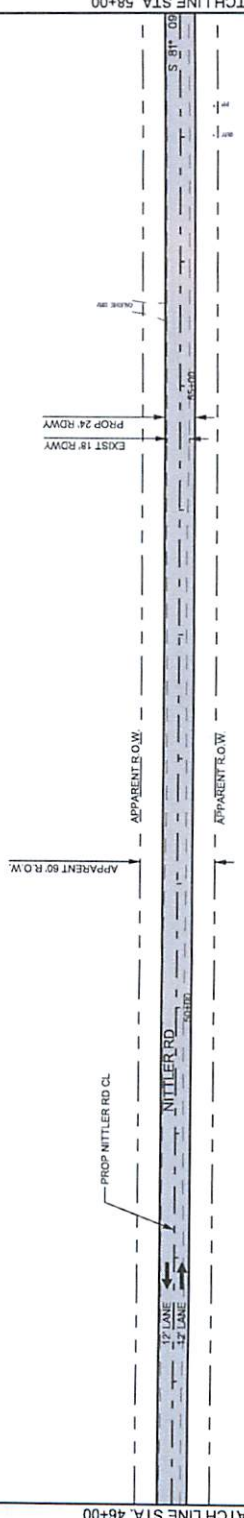
MARK E. CORBITT
 DATE: 8/16/2016



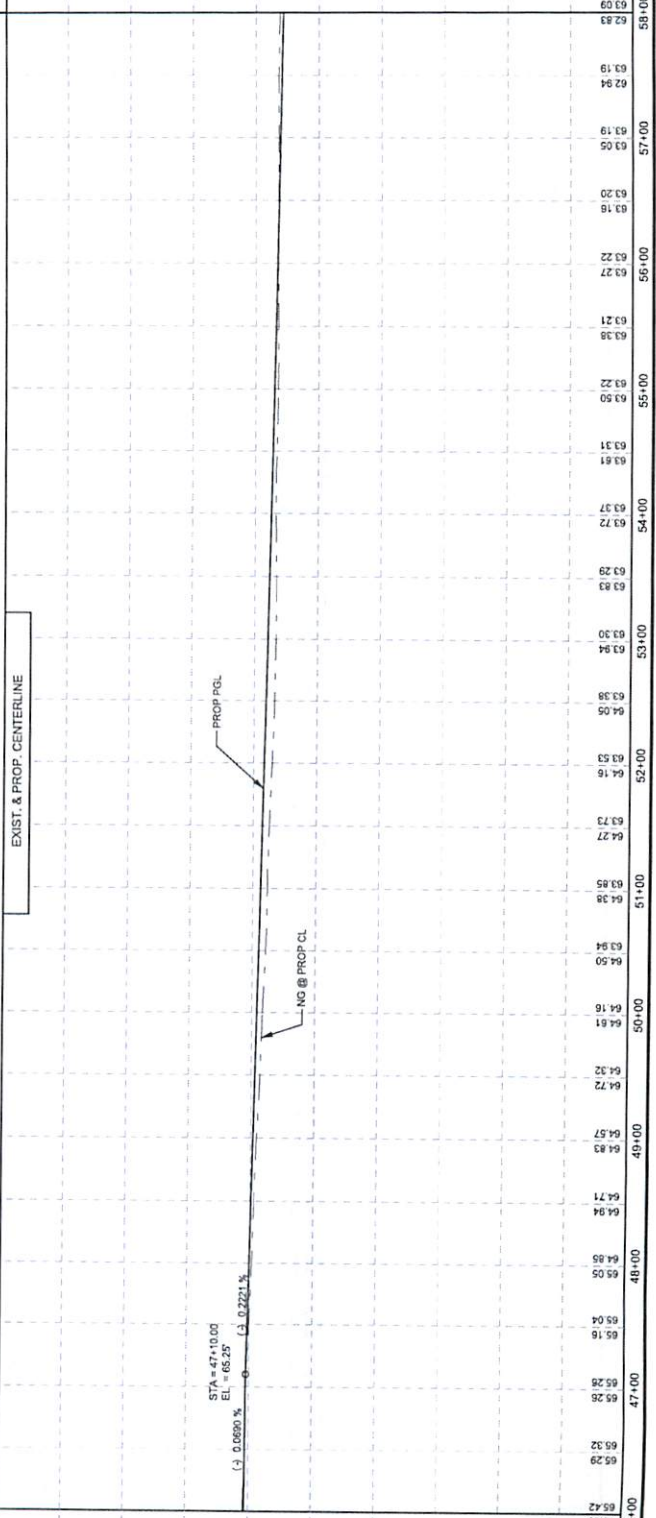
- LEGEND**
- GAS GAS LINE
 - UT EXIST UG PHONE LINE
 - # W EXIST WATER LINE
 - # SS EXIST SANITARY LINE
 - # SD EXIST STORM LINE
 - O/E EXIST OVERHEAD ELECTRIC
 - U/E EXIST UNDERGROUND ELECTRIC
 - X—X—X—X EXIST CHAINLINK FENCE
 - ▭ PROP ROAD
 - ◡ EXIST MAILBOX

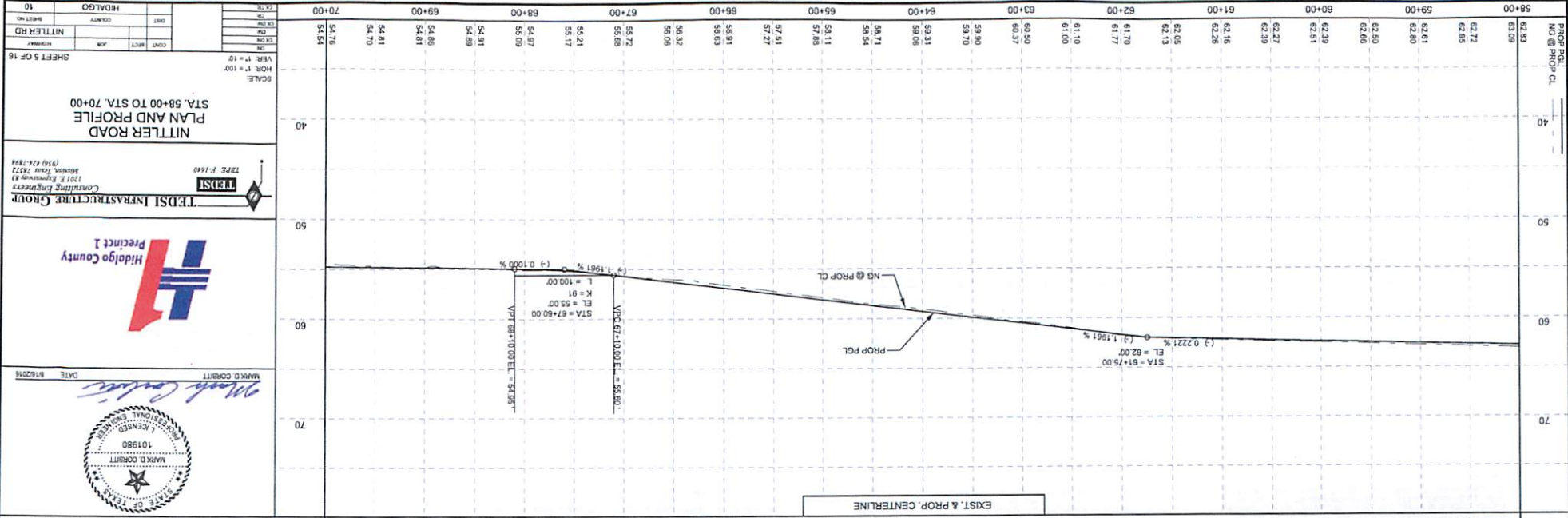
- DIRECTION OF TRAFFIC FLOW
- PROPOSED SMALL SIGN
- Ⓡ EXISTING SMALL SIGN TO BE REMOVED
- Ⓢ EXISTING SIGN TO REMAIN IN PLACE
- ⓇⓈ EXISTING SIGN TO BE RELOCATED

MATCH LINE STA. 46+00



- NOTES:**
- EXISTING ABOVE GROUND UTILITIES AND TOPOGRAPHY HAVE BEEN FIELD INFORMATION AND AS SPOTTED BY UTILITY COMPANIES. THE CONTRACTOR SHALL BE RESPONSIBLE FOR COORDINATING WITH UTILITY COMPANIES TO ESTABLISH THE EXACT LOCATION, DEPTH, AND SIZE OF UTILITY LINES. THE CONTRACTOR SHALL BE RESPONSIBLE FOR REPAIRS OF ALL UTILITIES DAMAGED BY THE CONTRACTOR.
 - UNLESS OTHERWISE SPECIFIED IN THE PLANS, TREES OR OTHER OBSTRUCTIONS IN CONFLICT WITH CONSTRUCTION SHALL BE REMOVED. THE CONTRACTOR SHALL BE RESPONSIBLE FOR THE PROTECTION OF TREES TO REMAIN. THE LOCATION OF MAILBOXES IS SUBSIDIARY TO PERTINENT BID ITEMS.
 - CONTRACTOR SHALL PERFORM ITS OWN CONSTRUCTION STAKING.
 - EXISTING SIGNS SHALL BE INSTALLED USING NEW POST AND FOUNDATION.
 - SEE PAVEMENT MARKINGS STANDARDS FOR STRIPING DETAILS.
 - RE-LOCATE ANY MAILBOXES IN CONFLICT WITH THE PROPOSED ROADWAY. RE-LOCATION OF MAILBOXES IS SUBSIDIARY TO PERTINENT BID ITEMS.
 - CONNECT ALL DRIVEWAYS AND TIEPOINTS WITH A SMOOTH TRANSITION FROM PAVEMENT EDGE LINES TO THE SAME MATERIAL THAT DRIVEWAYS IS CONSTRUCTED OF (SUBSIDIARY TO PERTINENT BID ITEMS)





NOTES:

- EXISTING ABOVE GROUND UTILITIES AND TOPOGRAPHY HAVE BEEN PLOTTED BY DIRECT FIELD INFORMATION AND AS SPOTTED BY UTILITY LOCATE REQUEST. THE CONTRACTOR WILL BE RESPONSIBLE FOR COORDINATING WITH UTILITY COMPANIES TO ESTABLISH THE EXACT LOCATION, DEPTH, AND SIZE OF UTILITY LINES. THE CONTRACTOR WILL ALSO BE RESPONSIBLE FOR COORDINATING WITH THE UTILITY COMPANIES FOR REPLACEMENT OR REPAIRS OF ALL UTILITIES DAMAGED BY THE CONTRACTOR.
- UNLESS OTHERWISE SPECIFIED IN THE PLANS, TREES OR OTHER OBSTRUCTIONS IN CONFLICT WITH CONSTRUCTION SHALL BE REMOVED. REMOVAL WILL NOT BE PAID FOR DIRECTLY BUT SHALL BE CONSIDERED SUBSIDIARY TO THE VARIOUS ITEMS.
- CONTRACTOR SHALL PERFORM ITS OWN CONSTRUCTION STAKING.
- EXISTING SIGNS SHALL BE INSTALLED USING NEW POST AND FOUNDATION.
- PAVEMENT MARKINGS STANDARDS FOR STRIPING DETAILS.
- RE-LOCATE ANY MAILBOXES IN CONFLICT WITH THE PROPOSED ROADWAY.
- CONNECT ALL DRIVEWAYS AND TURNOUTS WITH A SMOOTH TRANSITION FROM PAVEMENT EDGE USING THE SAME MATERIAL THAT DRIVEWAYS IS CONSTRUCTED OF (SUBSIDIARY TO PERTINENT BID ITEMS).

LEGEND

- 0.45" EXIST GAS LINE
- 0.75" EXIST WATER LINE
- 1.00" EXIST SANITARY LINE
- 1.50" EXIST STORM LINE
- 2.00" EXIST OVERHEAD ELECTRIC
- 2.50" EXIST UNDERGROUND ELECTRIC
- 3.00" EXIST CHAINLINK FENCE
- 4.00" PROP ROAD
- 5.00" EXIST MAILBOX

↑ DIRECTION OF TRAFFIC FLOW

○ PROPOSED SMALL SIGN

○ EXISTING SMALL SIGN TO BE REMOVED

○ EXISTING SIGN TO REMAIN IN PLACE

○ EXISTING SIGN TO BE RELOCATED

MATCH LINE STA. 70+00

MATCH LINE STA. 58+00

TPDSI Infrastructure Group
 Consulting Engineers
 1201 E. Espinosa St
 Tucson, AZ 85712
 PHONE: (520) 744-7884
 FAX: (520) 744-7884

DATE: 8/16/2018

MARK D. COBBITT
 PROFESSIONAL ENGINEER
 LICENSE NO. 101980
 STATE OF ARIZONA

SCALE: HORIZ. 1" = 100'
 VERT. 1" = 12'

SHEET 5 OF 18

NITTLER ROAD
 PLAN AND PROFILE
 STA. 58+00 TO STA. 70+00

HIDALGO COUNTY

LEGEND

- GAS LINE
- UT
- EXIST WATER LINE
- #12 W
- #8 SS
- #30
- ONE
- UE
- EXIST OVERHEAD ELECTRIC
- EXIST UNDERGROUND ELECTRIC
- EXIST CHAINLINK FENCE

PROP ROAD
 EXIST MAILBOX

DIRECTION OF TRAFFIC FLOW
 PROPOSED SMALL SIGN
 EXISTING SMALL SIGN TO BE REMOVED
 EXISTING SIGN TO REMAIN IN PLACE
 EXISTING SIGN TO BE RELOCATED

MARK D. CORBETT
 DATE: 8/16/2018

TEDSI INFRASTRUCTURE GROUP
 Consulting Engineers
 1202 E. Expressway #1
 Mission, TX 78148
 (512) 421-7104

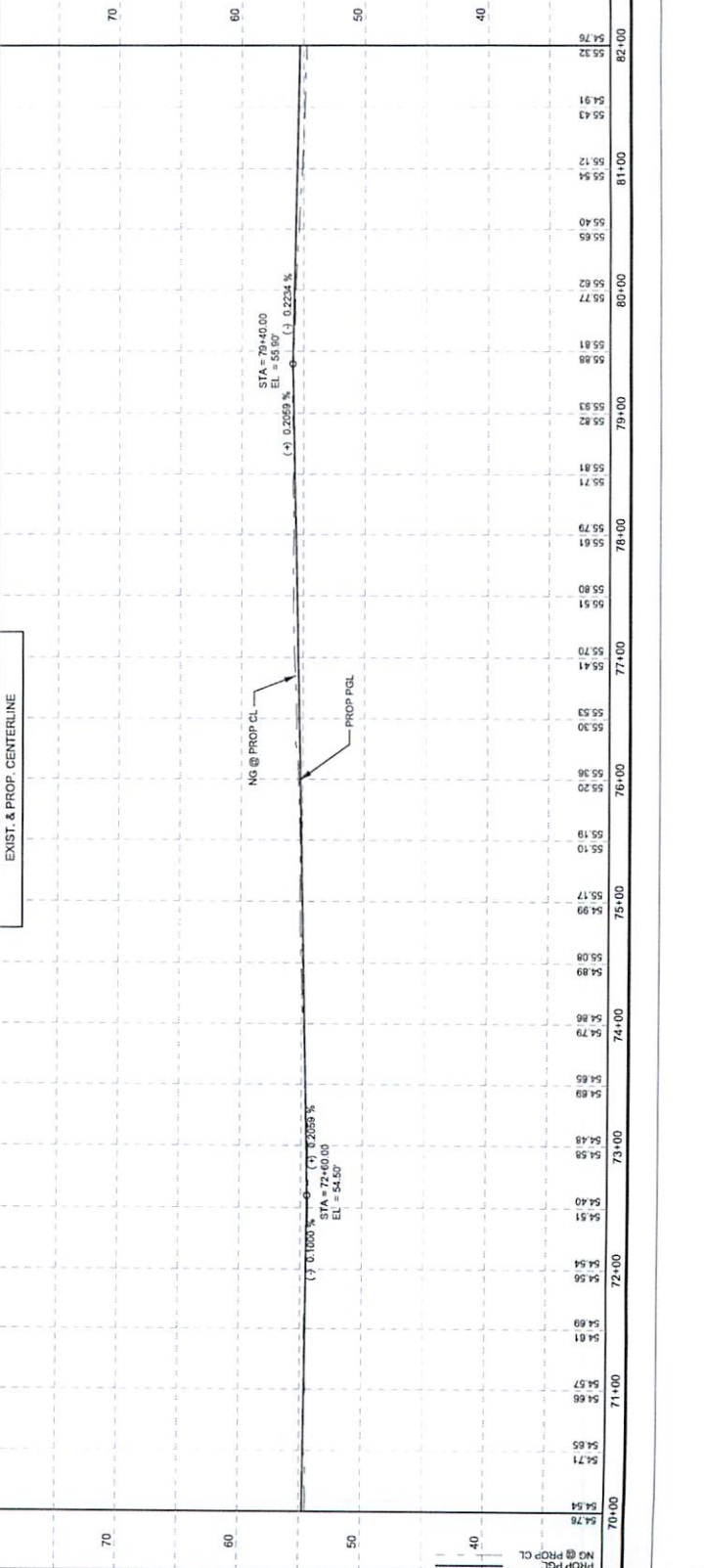
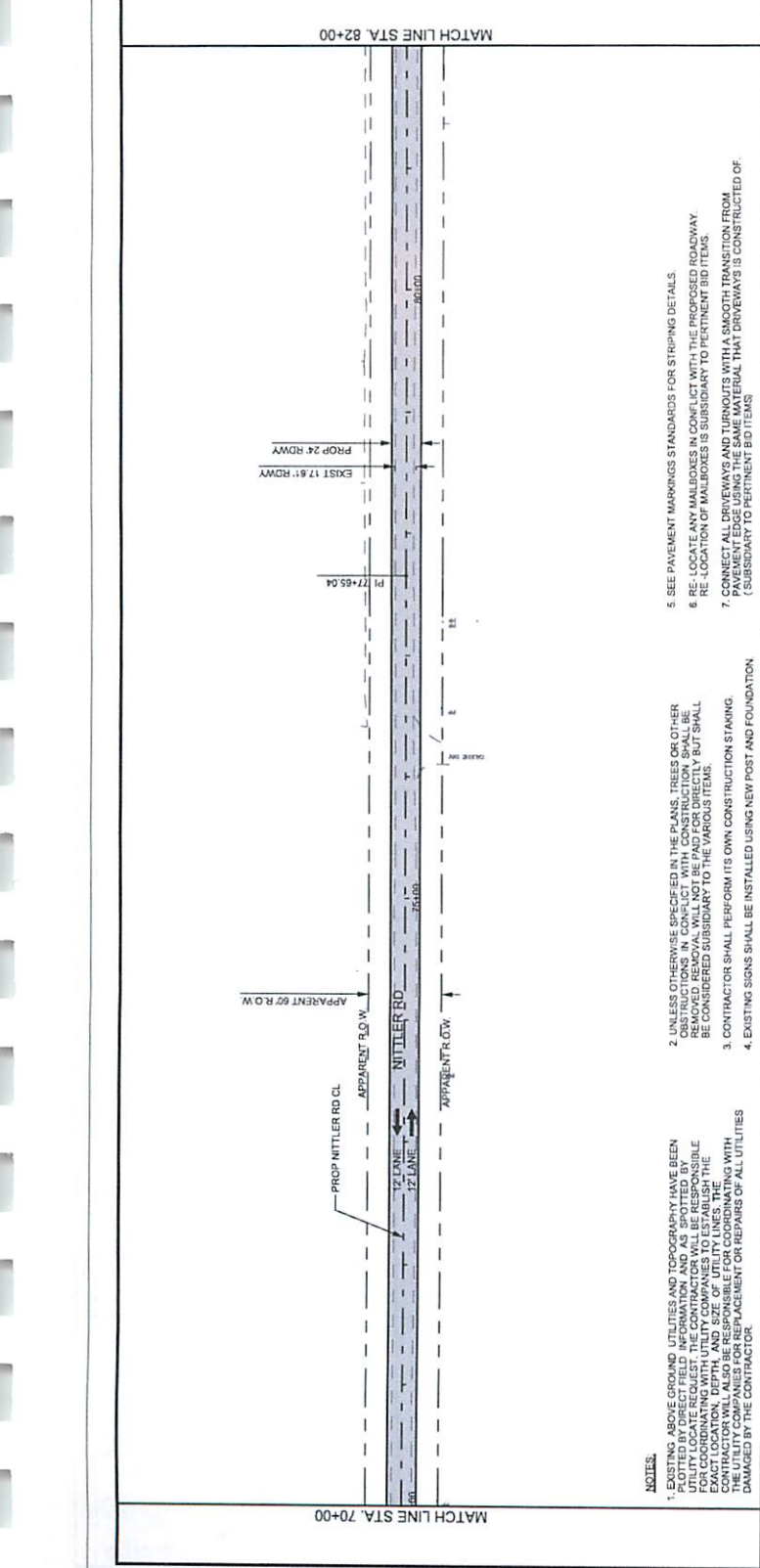
TYPE: F-149

NITTLER ROAD
 PLAN AND PROFILE
 STA. 70+00 TO STA. 82+00

SCALE:
 HOR. 1" = 100'
 VERT. 1" = 10'

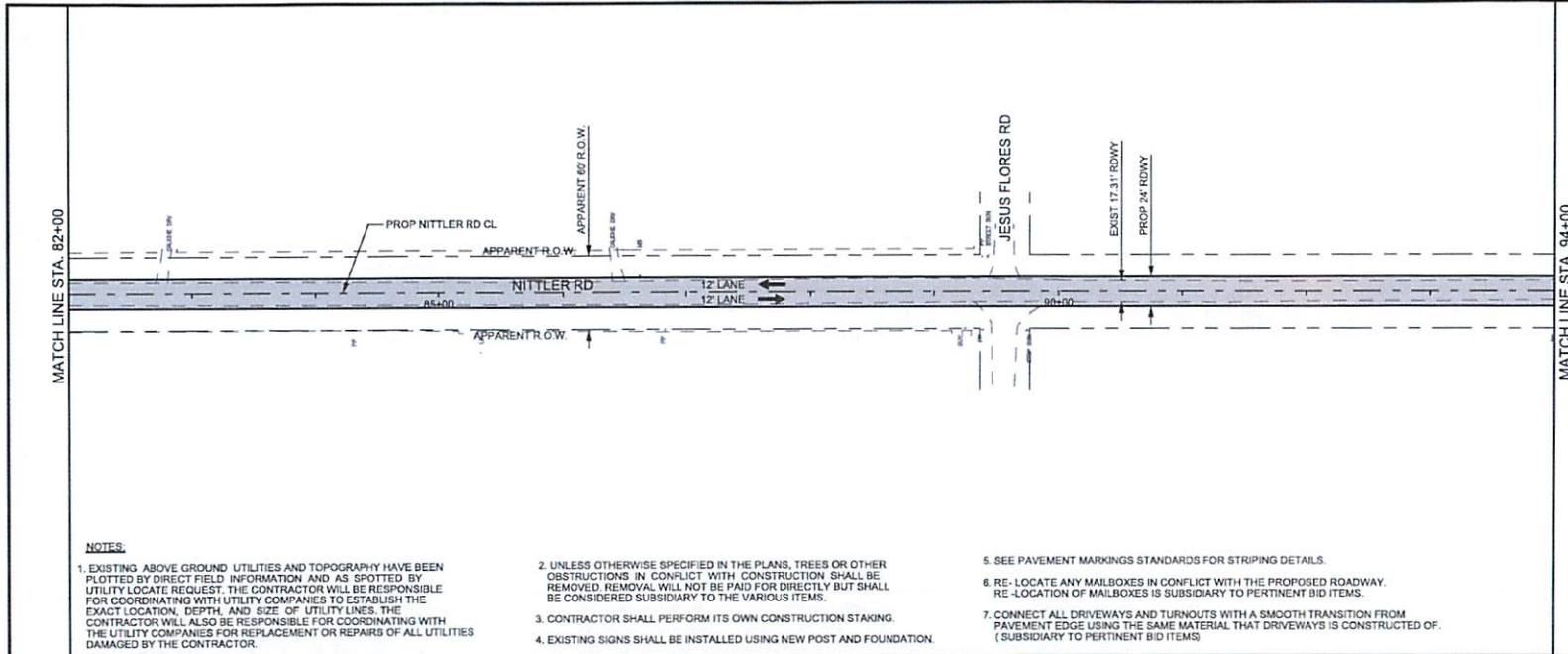
NO.	DATE	BY	CHKD.
1			

SHEET 6 OF 18
 COUNTY: HIDALGO
 SHEET NO.: 11



- NOTES:**
- EXISTING ABOVE GROUND UTILITIES AND TOPOGRAPHY HAVE BEEN PLOTTED BY DIRECT FIELD INFORMATION AND AS SPOTTED BY THE SURVEYOR. THE CONTRACTOR WILL BE RESPONSIBLE FOR COORDINATING THE LOCATION, DEPTH, AND SIZE OF UTILITY LINES. THE CONTRACTOR WILL ALSO BE RESPONSIBLE FOR COORDINATING WITH ALL UTILITIES DAMAGED BY THE CONTRACTOR.
 - UNLESS OTHERWISE SPECIFIED IN THE PLANS, TREES OR OTHER OBSTRUCTIONS IN CONFLICT WITH CONSTRUCTION SHALL BE REMOVED. REMOVAL WILL NOT BE PAD FOR DIRECTLY BUT SHALL BE CONSIDERED SUBSIDIARY TO THE VARIOUS ITEMS.
 - CONTRACTOR SHALL PERFORM ITS OWN CONSTRUCTION STAKING.
 - EXISTING SIGNS SHALL BE INSTALLED USING NEW POST AND FOUNDATION.
 - SEE PAVEMENT MARKINGS STANDARDS FOR STRIPING DETAILS.
 - RE-LOCATE ANY MAILBOXES IN CONFLICT WITH THE PROPOSED ROADWAY.
 - RE-LOCATION OF MAILBOXES IS SUBSIDIARY TO PERTINENT SID ITEMS.
 - CONNECT ALL DRIVEWAYS AND TURNOUTS WITH A SMOOTH TRANSITION FROM EXISTING TO PROPOSED DRIVEWAYS. THAT DRIVEWAYS IS CONSTRUCTED OF. (SUBSIDIARY TO PERTINENT BID ITEMS)

DATE: 8/16/2016 4:28:12 PM
 FILE: NITTLER.PPD1.dgn



LEGEND

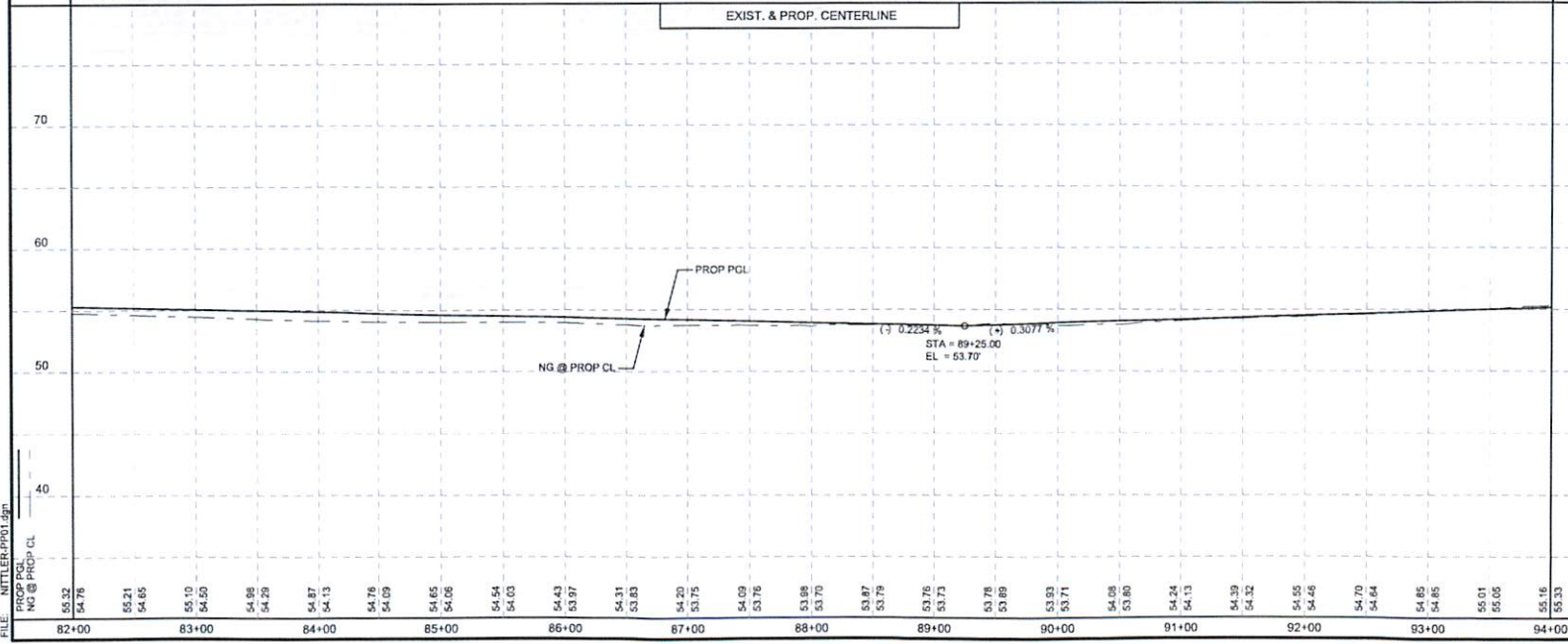
- GAS — EXIST GAS LINE
- UT — EXIST UG PHONE LINE
- F W — EXIST WATER LINE
- S S — EXIST SANITARY LINE
- S D — EXIST STORM LINE
- O-E — EXIST OVERHEAD ELECTRIC
- U-E — EXIST UNDERGROUND ELECTRIC
- X-X-X- EXIST CHAINLINK FENCE

- PROP ROAD
- EXIST MAILBOX

- DIRECTION OF TRAFFIC FLOW
- PROPOSED SMALL SIGN
- EXISTING SMALL SIGN TO BE REMOVED
- EXISTING SIGN TO REMAIN IN PLACE
- EXISTING SIGN TO BE RELOCATED

NOTES:

1. EXISTING ABOVE GROUND UTILITIES AND TOPOGRAPHY HAVE BEEN PLOTTED BY DIRECT FIELD INFORMATION AND AS SPOTTED BY UTILITY LOCATE REQUEST. THE CONTRACTOR WILL BE RESPONSIBLE FOR COORDINATING WITH UTILITY COMPANIES TO ESTABLISH THE EXACT LOCATION, DEPTH, AND SIZE OF UTILITY LINES. THE CONTRACTOR WILL ALSO BE RESPONSIBLE FOR COORDINATING WITH THE UTILITY COMPANIES FOR REPLACEMENT OR REPAIRS OF ALL UTILITIES DAMAGED BY THE CONTRACTOR.
2. UNLESS OTHERWISE SPECIFIED IN THE PLANS, TREES OR OTHER OBSTRUCTIONS IN CONFLICT WITH CONSTRUCTION SHALL BE REMOVED. REMOVAL WILL NOT BE PAID FOR DIRECTLY BUT SHALL BE CONSIDERED SUBSIDIARY TO THE VARIOUS ITEMS.
3. CONTRACTOR SHALL PERFORM ITS OWN CONSTRUCTION STAKING.
4. EXISTING SIGNS SHALL BE INSTALLED USING NEW POST AND FOUNDATION.
5. SEE PAVEMENT MARKINGS STANDARDS FOR STRIPING DETAILS.
6. RE-LOCATE ANY MAILBOXES IN CONFLICT WITH THE PROPOSED ROADWAY. RE-LOCATION OF MAILBOXES IS SUBSIDIARY TO PERTINENT BID ITEMS.
7. CONNECT ALL DRIVEWAYS AND TURNOUTS WITH A SMOOTH TRANSITION FROM PAVEMENT EDGE USING THE SAME MATERIAL THAT DRIVEWAYS IS CONSTRUCTED OF. (SUBSIDIARY TO PERTINENT BID ITEMS)



MARK D. CORBITT
 DATE: 8/16/2016

Hidalgo County
 Precinct 1

TEDSI INFRASTRUCTURE GROUP
 Consulting Engineers
 1101 E. Expressway #1
 Mission, Texas 78122
 (936) 424-7888

**NITTLER ROAD
 PLAN AND PROFILE
 STA. 82+00 TO STA. 94+00**

SCALE:
 HOR: 1" = 100'
 VER: 1" = 10'

SHEET 7 OF 16

DATE	COMP	SECT	JOB	ROADWAY
8/16/2016				NITTLER RD
			COUNTY	SHEET NO.
			HIDALGO	12

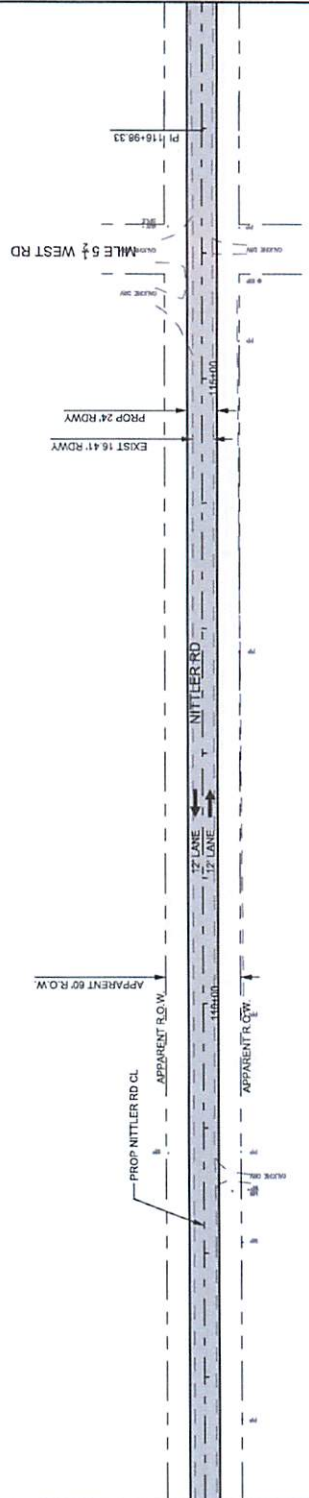
- LEGEND**
- GAS LINE
 - UT
 - EXIST. UG PHONE LINE
 - EXIST. WATER LINE
 - #55
 - EXIST. SANITARY LINE
 - #50
 - EXIST. STORM LINE
 - OVE
 - EXIST. OVERHEAD ELECTRIC
 - UE
 - EXIST. UNDERGROUND ELECTRIC
 - EXIST. CHAINLINK FENCE



- DIRECTION OF TRAFFIC FLOW
- PROPOSED SMALL SIGN
- Ⓡ EXISTING SMALL SIGN TO BE REMOVED
- Ⓢ EXISTING SIGN TO REMAIN IN PLACE
- ⓇⓈ EXISTING SIGN TO BE RELOCATED



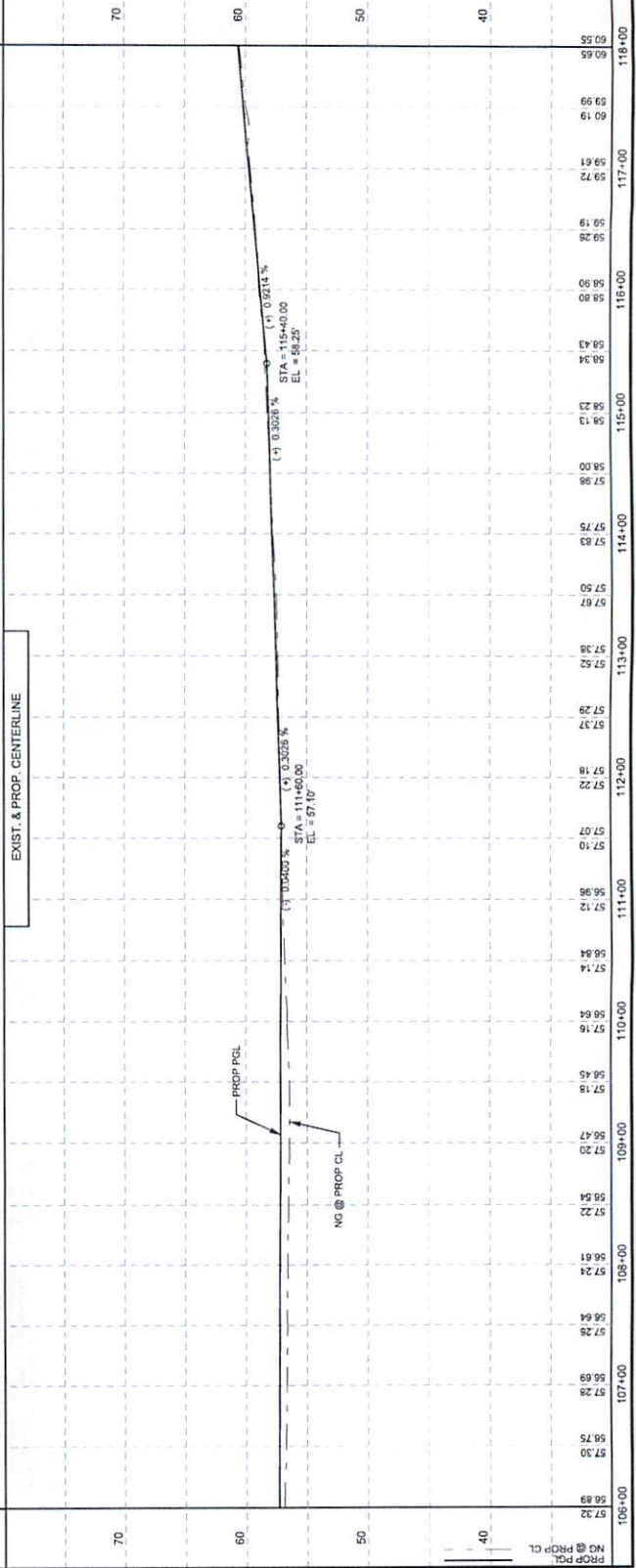
MATCH LINE STA. 118+00



MATCH LINE STA. 106+00

- NOTES:**
- EXISTING ABOVE GROUND UTILITIES AND TOPOGRAPHY HAVE BEEN PLOTTED BY DIRECT FIELD INFORMATION AND AS SPOTTED BY UTILITY LOCATE REQUEST. THE CONTRACTOR WILL BE RESPONSIBLE FOR VERIFYING THE EXACT LOCATION, DEPTH, AND SIZE OF UTILITY LINES. THE CONTRACTOR WILL ALSO BE RESPONSIBLE FOR COORDINATING WITH THE UTILITY COMPANIES FOR REPLACEMENT OR REPAIRS OF ALL UTILITIES DAMAGED BY THE CONTRACTOR.
 - UNLESS OTHERWISE SPECIFIED IN THE PLANS, TREES OR OTHER OBSTRUCTIONS IN CONFLICT WITH CONSTRUCTION SHALL BE REMOVED. REMOVAL WILL NOT BE PAID FOR DIRECTLY BUT SHALL BE CONSIDERED SUBSIDIARY TO THE VARIOUS ITEMS.
 - CONTRACTOR SHALL PERFORM ITS OWN CONSTRUCTION STAKING. EXISTING SIGNS SHALL BE INSTALLED USING NEW POST AND FOUNDATION.
 - SEE PAVEMENT MARKINGS STANDARDS FOR STRIPING DETAILS.
 - RE-LOCATE ANY MAILBOXES IN CONFLICT WITH THE PROPOSED ROADWAY. RE-LOCATION OF MAILBOXES IS SUBSIDIARY TO PERTINENT BID ITEMS.
 - CONNECT ALL DRIVEWAYS AND TURNSIGNS WITH A SMOOTH TRANSITION FROM PAVEMENT EDGE USING THE SAME MATERIAL THAT DRIVEWAYS IS CONSTRUCTED OF. (SUBSIDIARY TO PERTINENT BID ITEMS)

EXIST. & PROP. CENTERLINE



DATE: 8/18/2016

HIDALGO COUNTY
 Precinct 1

TEDSI INFRASTRUCTURE GROUP
 Consulting Engineers
 1201 E. Expressway #11
 Houston, TX 77060
 (281) 444-7868

NITTLER ROAD
PLAN AND PROFILE
 STA. 106+00 TO STA. 118+00

SCALE: HORIZ. 1" = 100'
 VERT. 1" = 10'
 SHEET 9 OF 16

DATE	BY	CHK'D	APP'D	NO.	REVISION

DATE	BY	CHK'D	APP'D	NO.	REVISION

DATE	BY	CHK'D	APP'D	NO.	REVISION

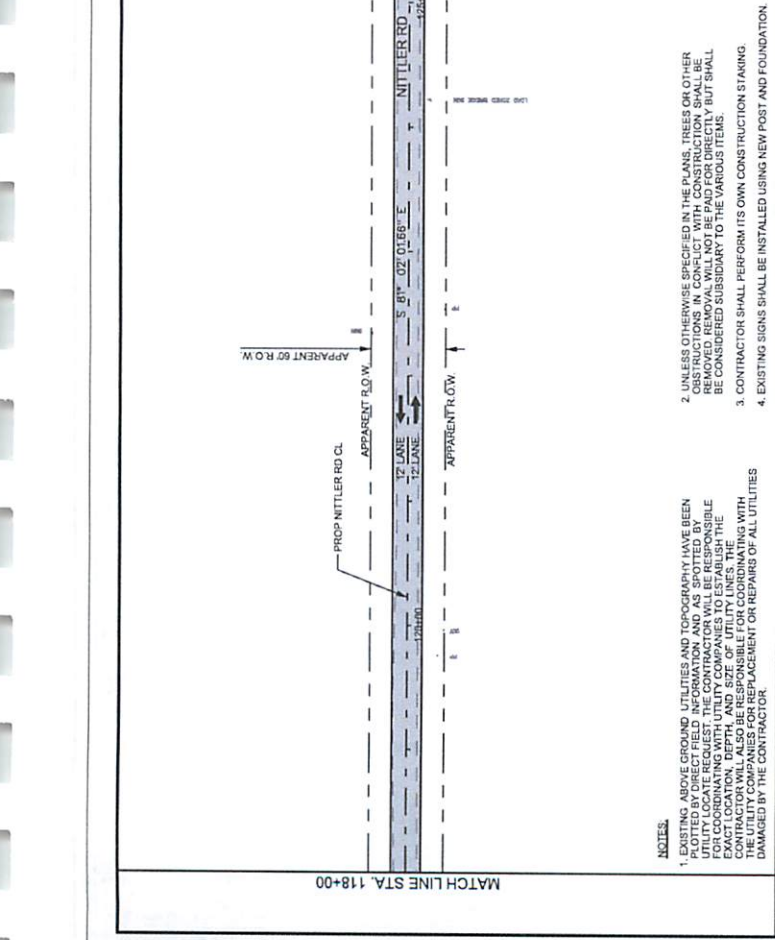
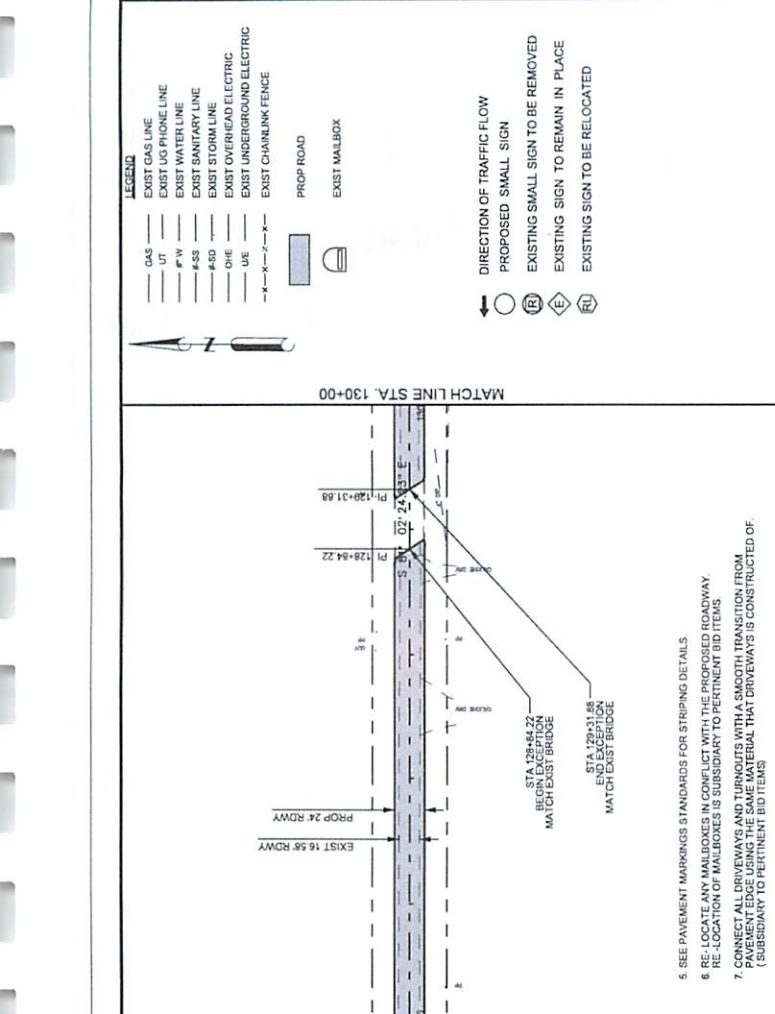
LEGEND

- GAS
- UT
- W
- SS
- SD
- CH
- UE
- X-X-X-X-X
- PROP ROAD
- EXIST MAILBOX

○ DIRECTION OF TRAFFIC FLOW
 ○ PROPOSED SMALL SIGN
 ○ EXISTING SMALL SIGN TO BE REMOVED
 ○ EXISTING SIGN TO REMAIN IN PLACE
 ○ EXISTING SIGN TO BE RELOCATED

NOTES:

- EXISTING ABOVE GROUND UTILITIES AND TOPOGRAPHY HAVE BEEN PLOTTED BY DIRECT FIELD INFORMATION AND AS SPOTTED BY THE CONTRACTOR. THE CONTRACTOR SHALL BE RESPONSIBLE FOR COORDINATING WITH UTILITY COMPANIES TO VERIFY THE EXACT LOCATION, DEPTH, AND SIZE OF UTILITY LINES. THE CONTRACTOR SHALL ALSO BE RESPONSIBLE FOR COORDINATING WITH ALL UTILITIES AND BE RESPONSIBLE FOR REPAIRS OF ALL UTILITIES DAMAGED BY THE CONTRACTOR.
- UNLESS OTHERWISE SPECIFIED IN THE PLANS, TREES OR OTHER OBSTRUCTIONS IN CONFLICT WITH CONSTRUCTION SHALL BE REMOVED. REMOVAL WILL NOT BE PAID FOR DIRECTLY BUT SHALL BE CONSIDERED SUBSIDIARY TO THE VARIOUS ITEMS.
- CONTRACTOR SHALL PERFORM ITS OWN CONSTRUCTION STAKING.
- EXISTING SIGNS SHALL BE INSTALLED USING NEW POST AND FOUNDATION.
- SEE PAVEMENT MARKINGS STANDARDS FOR STRIPING DETAILS.
- RE-LOCATE ANY MAILBOXES IN CONFLICT WITH THE PROPOSED ROADWAY. RE-LOCATION OF MAILBOXES IS SUBSIDIARY TO PERTINENT BID ITEMS.
- CONJECTURE ALL DRIVEWAYS AND TURNS WITH A SMOOTH TRANSITION FROM PAVEMENT EDGE USING THE SAME MATERIAL THAT DRIVEWAYS IS CONSTRUCTED OF. (SUBSIDIARY TO PERTINENT BID ITEMS)



MARK C. COBITT
 DATE: 8/16/2016

TEDESI INFRASTRUCTURE GROUP
 Consulting Engineers
 1212 E. Exchange Ave.
 Mesa, AZ 85204
 Phone: 480.424.7358

NITLIGER ROAD
 PLAN AND PROFILE
 STA. 118+00 TO STA. 130+00

SCALE:
 HOR. 1" = 10'
 VER. 1" = 10'

DATE	BY	CHKD	APP	REVISION

SHEET 10 OF 15
 PROJECT NO. NITLIGER-PP01.dgn
 SHEET NO. 10

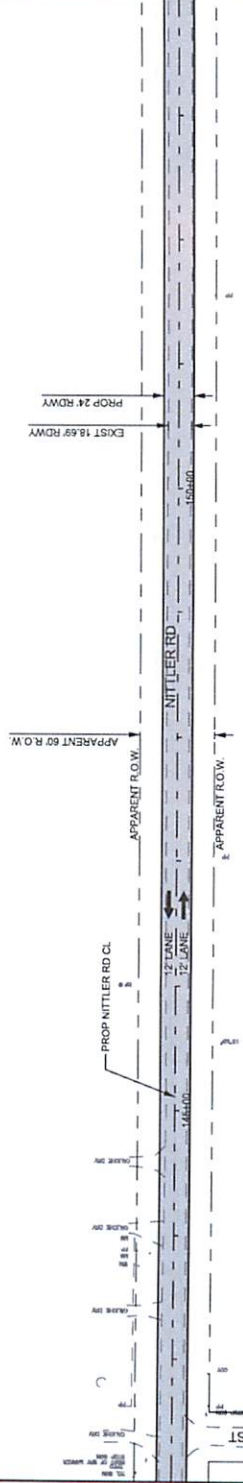
STA	ELEV	STA	ELEV	STA	ELEV	STA	ELEV
118+00	60.55	121+00	61.11	124+00	64.23	127+00	62.53
118+10	61.26	121+10	63.41	124+10	64.48	127+10	62.62
118+20	61.74	121+20	63.87	124+20	64.77	127+20	62.83
118+30	62.49	121+30	64.28	124+30	64.92	127+30	62.93
118+40	62.92	121+40	64.51	124+40	65.07	127+40	62.98
118+50	63.41	121+50	64.56	124+50	65.22	127+50	63.03
119+00	63.92	122+00	64.81	125+00	65.47	128+00	63.18
119+10	64.43	122+10	64.87	125+10	65.51	128+10	63.22
119+20	64.92	122+20	64.92	125+20	65.55	128+20	63.26
119+30	65.39	122+30	64.97	125+30	65.58	128+30	63.29
119+40	65.81	122+40	65.02	125+40	65.61	128+40	63.31
119+50	66.18	122+50	65.07	125+50	65.63	128+50	63.33
120+00	66.55	123+00	65.12	126+00	65.65	129+00	63.35
120+10	66.92	123+10	65.15	126+10	65.67	129+10	63.37
120+20	67.29	123+20	65.18	126+20	65.69	129+20	63.39
120+30	67.66	123+30	65.21	126+30	65.71	129+30	63.41
120+40	68.03	123+40	65.24	126+40	65.73	129+40	63.43
120+50	68.40	123+50	65.27	126+50	65.75	129+50	63.45
121+00	68.77	124+00	65.30	127+00	65.77	130+00	63.47
121+10	69.14	124+10	65.33	127+10	65.79		
121+20	69.51	124+20	65.36	127+20	65.81		
121+30	69.88	124+30	65.39	127+30	65.83		
121+40	70.25	124+40	65.42	127+40	65.85		
121+50	70.62	124+50	65.45	127+50	65.87		
122+00	70.99	125+00	65.48	128+00	65.89		
122+10	71.36	125+10	65.51	128+10	65.91		
122+20	71.73	125+20	65.54	128+20	65.93		
122+30	72.10	125+30	65.57	128+30	65.95		
122+40	72.47	125+40	65.60	128+40	65.97		
122+50	72.84	125+50	65.63	128+50	65.99		
123+00	73.21	126+00	65.66	129+00	66.01		
123+10	73.58	126+10	65.69				
123+20	73.95	126+20	65.72				
123+30	74.32	126+30	65.75				
123+40	74.69	126+40	65.78				
123+50	75.06	126+50	65.81				
124+00	75.43	127+00	65.84				
124+10	75.80	127+10	65.87				
124+20	76.17	127+20	65.89				
124+30	76.54	127+30	65.91				
124+40	76.91	127+40	65.93				
124+50	77.28	127+50	65.95				
125+00	77.65	128+00	65.97				
125+10	78.02	128+10	65.99				
125+20	78.39	128+20	66.01				
125+30	78.76	128+30	66.03				
125+40	79.13	128+40	66.05				
125+50	79.50	128+50	66.07				
126+00	79.87	129+00	66.09				
126+10	80.24						
126+20	80.61						
126+30	80.98						
126+40	81.35						
126+50	81.72						
127+00	82.09						
127+10	82.46						
127+20	82.83						
127+30	83.20						
127+40	83.57						
127+50	83.94						
128+00	84.31						
128+10	84.68						
128+20	85.05						
128+30	85.42						
128+40	85.79						
128+50	86.16						
129+00	86.53						
129+10	86.90						
129+20	87.27						
129+30	87.64						
129+40	88.01						
129+50	88.38						
130+00	88.75						

- LEGEND**
- GAS LINE
 - EXIST. UT
 - EXIST. WATER LINE
 - EXIST. STORM LINE
 - EXIST. OVERHEAD ELECTRIC
 - EXIST. UNDERGROUND ELECTRIC
 - EXIST. CHAINLINK FENCE
 - PROP. ROAD
 - EXIST. MAILBOX

- DIRECTION OF TRAFFIC FLOW
- PROPOSED SMALL SIGN
- ⊖ EXISTING SMALL SIGN TO BE REMOVED
- ⊕ EXISTING SIGN TO REMAIN IN PLACE
- ⊖ EXISTING SIGN TO BE RELOCATED



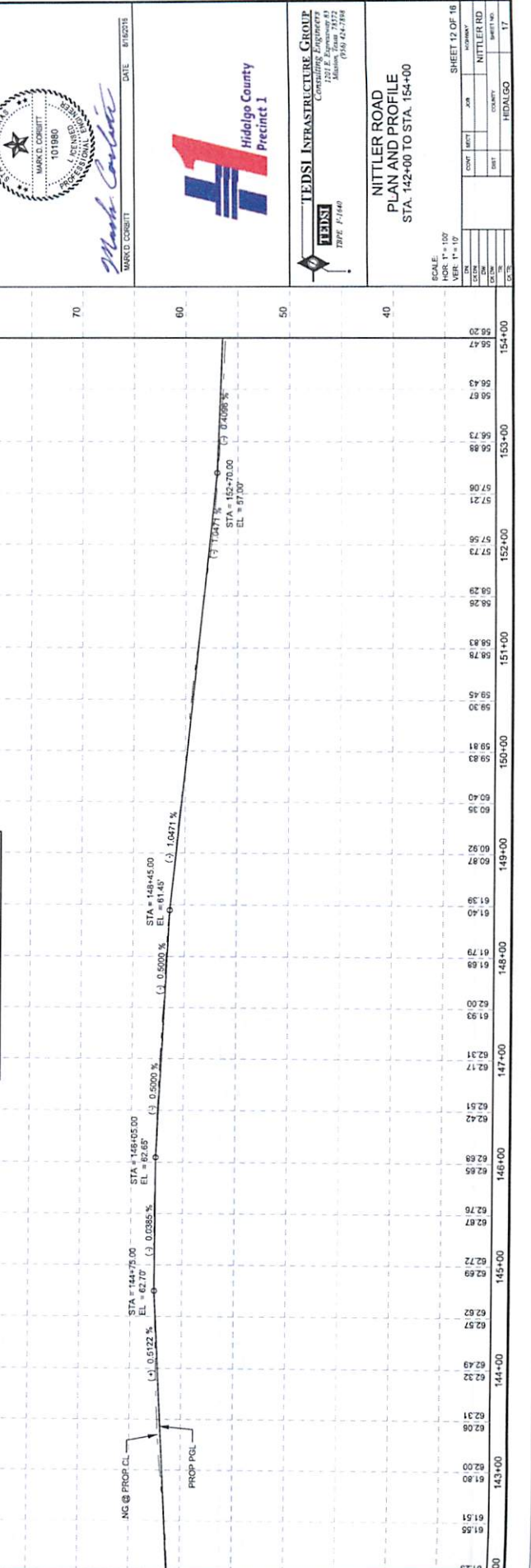
MATCH LINE STA. 154+00



MATCH LINE STA. 142+00

- NOTES:**
- EXISTING ABOVE GROUND UTILITIES AND TOPOGRAPHY HAVE BEEN PLOTTED BY DIRECT FIELD INFORMATION AND AS SPOTTED BY THE CONTRACTOR. THE CONTRACTOR WILL BE RESPONSIBLE FOR COORDINATING WITH THE LOCAL UTILITY COMPANIES THE EXACT LOCATION, DEPTH, AND SIZE OF UTILITY LINES. THE CONTRACTOR WILL ALSO BE RESPONSIBLE FOR COORDINATING WITH THE LOCAL UTILITY COMPANIES THE PLACEMENT OR REPAIRS OF ALL UTILITIES DAMAGED BY THE CONTRACTOR.
 - UNLESS OTHERWISE SPECIFIED IN THE PLANS, TREES OR OTHER OBSTRUCTIONS IN CONFLICT WITH CONSTRUCTION SHALL BE REMOVED. REMOVAL WILL NOT BE PAID FOR DIRECTLY BUT SHALL BE CONSIDERED SUBSIDIARY TO THE VARIOUS ITEMS.
 - CONTRACTOR SHALL PERFORM ITS OWN CONSTRUCTION STAKING.
 - EXISTING SIGNS SHALL BE INSTALLED USING NEW POST AND FOUNDATION.
 - SEE PAVEMENT MARKINGS STANDARDS FOR STRIPING DETAILS.
 - RE-LOCATE ANY MAILBOXES IN CONFLICT WITH THE PROPOSED ROADWAY.
 - RE-LOCATION OF MAILBOXES IS SUBSIDIARY TO PERTINENT BID ITEMS.
 - CONNECT ALL DRIVEWAYS AND TURNOUTS WITH A SMOOTH TRANSITION FROM EXISTING TO PROPOSED PAVEMENT. MATERIAL THAT DRIVEWAYS IS CONSTRUCTED OF (SUBSIDIARY TO PERTINENT BID ITEMS).

EXIST. & PROP. CENTERLINE



MARKED CORSETT
DATE: 8/16/2016

Mark Corsett

Hidalgo County
Precinct 1

TECSI INFRASTRUCTURE GROUP
Civil/Structural Engineers
1221 E. Expressway #1
Mission, TX 78148
PHONE: 281.242.7188

NITTLER ROAD
PLAN AND PROFILE
STA. 142+00 TO STA. 154+00

SCALE: HOR. 1" = 100'
VER. 1" = 10'

DATE	8/16/2016	PROJECT	NITTLER RD
FILE	NITTLER.PP01.dgn	SHEET NO.	17
DATE	4:28:15 PM	COUNTY	HIDALGO

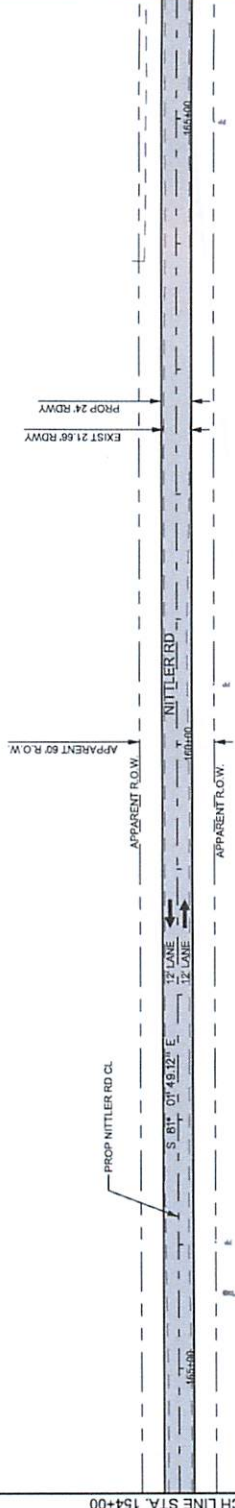
- LEGEND**
- GAS LINE
 - EXIST UT
 - EXIST WATER LINE
 - EXIST SANITARY LINE
 - EXIST STORM LINE
 - EXIST OVERHEAD ELECTRIC
 - EXIST UNDERGROUND ELECTRIC
 - EXIST CHAINLINK FENCE

- PROP ROAD
- EXIST MAILBOX

- DIRECTION OF TRAFFIC FLOW
- PROPOSED SMALL SIGN
- ⊖ EXISTING SMALL SIGN TO BE REMOVED
- ⊕ EXISTING SIGN TO REMAIN IN PLACE
- ⊗ EXISTING SIGN TO BE RELOCATED

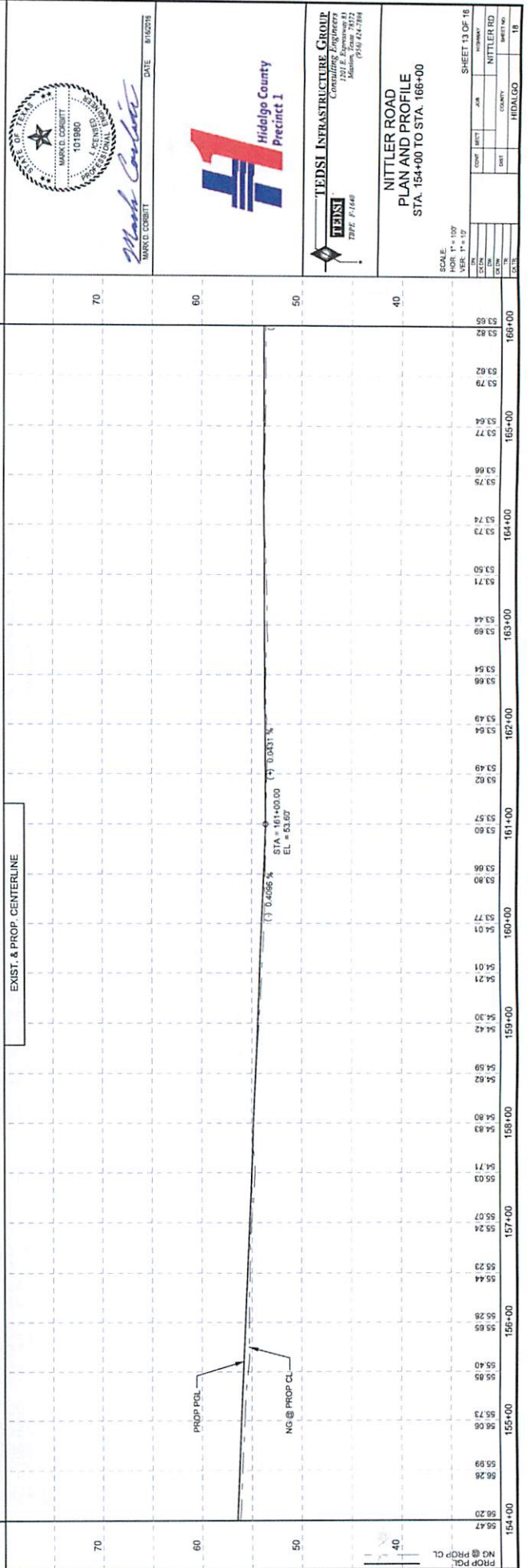


MATCH LINE STA. 166+00



MATCH LINE STA. 154+00

- NOTES:**
1. UTILITIES ABOVE GROUND, UTILITIES AND TOPOGRAPHY HAVE BEEN PLOTTED BY DIRECT FIELD INFORMATION AND AS SPOTTED BY UTILITY LOCATE REQUEST. THE CONTRACTOR WILL BE RESPONSIBLE FOR COORDINATING WITH ALL UTILITIES AND TO LOCATE THE CONTRACTOR WILL ALSO BE RESPONSIBLE FOR COORDINATING WITH THE UTILITY COMPANIES FOR REPLACEMENT OR REPAIRS OF ALL UTILITIES DAMAGED BY THE CONTRACTOR.
 2. UNLESS OTHERWISE SPECIFIED IN THE PLANS, TREES OR OTHER OBSTRUCTIONS IN CONFLICT WITH CONSTRUCTION SHALL BE REMOVED. REMOVAL WILL NOT BE PAID FOR DIRECTLY BUT SHALL BE CONSIDERED SUBSIDIARY TO THE VARIOUS ITEMS.
 3. CONTRACTOR SHALL PERFORM ITS OWN CONSTRUCTION STAKING.
 4. EXISTING SIGNS SHALL BE INSTALLED USING NEW POST AND FOUNDATION.
 5. SEE PAVEMENT MARKINGS STANDARDS FOR STRIPING DETAILS.
 6. RE-LOCATE ANY MAILBOXES IN CONFLICT WITH THE PROPOSED ROADWAY. RE-LOCATION OF MAILBOXES IS SUBSIDIARY TO PERTINENT BID ITEMS.
 7. CONNECT ALL DRIVEWAYS AND BUSHOUTS WITH A BRICKSET TRANSITION FROM PAVEMENT EDGE USING THE SAME MATERIALS THAT DRIVEWAYS IS CONSTRUCTED OF. (SUBSIDIARY TO PERTINENT BID ITEMS)



DATE: 8/16/2016
 MARK D. COBBITT
 MARK D. COBBITT
 101980
 PROFESSIONAL ENGINEER
 STATE OF TEXAS



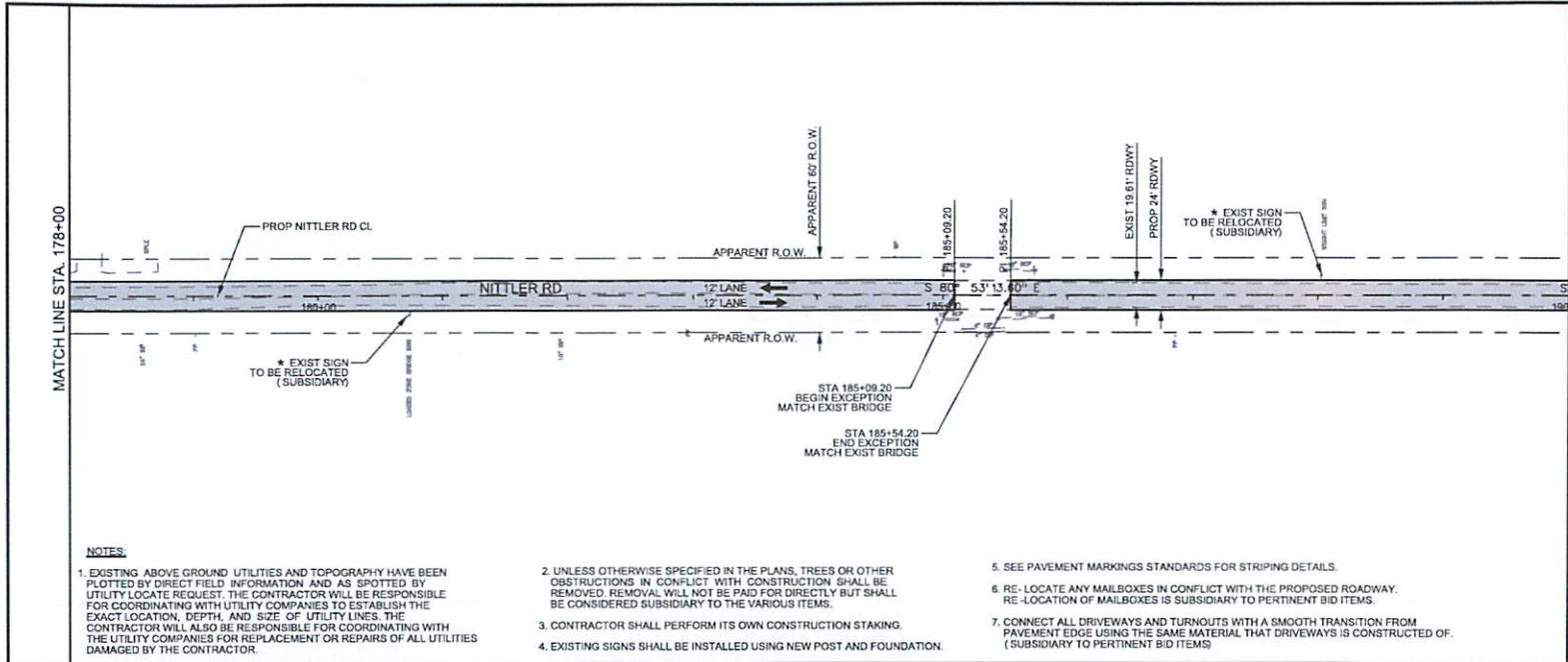
TECSI INFRASTRUCTURE GROUP
 Consulting Engineers
 1201 E. Alvarado St.
 Houston, TX 77002
 Phone: 281.441.1177
 Fax: 281.441.1180

**NITTLER ROAD
 PLAN AND PROFILE
 STA. 154+00 TO STA. 166+00**

SCALE: HOR 1" = 100'
 VERT 1" = 10'

DATE	BY	CHK	APP	NO.

SHEET 13 OF 16
 COUNTY: HIDALGO
 PROJECT: NITTLER RD
 SHEET NO.: 13



LEGEND

- GAS — EXIST GAS LINE
- UT — EXIST UG PHONE LINE
- W — EXIST WATER LINE
- S-S — EXIST SANITARY LINE
- S-D — EXIST STORM LINE
- O-E — EXIST OVERHEAD ELECTRIC
- U-E — EXIST UNDERGROUND ELECTRIC
- - - - - EXIST CHAINLINK FENCE
- ▭ PROP ROAD
- ◡ EXIST MAILBOX

← DIRECTION OF TRAFFIC FLOW

○ PROPOSED SMALL SIGN

Ⓡ EXISTING SMALL SIGN TO BE REMOVED

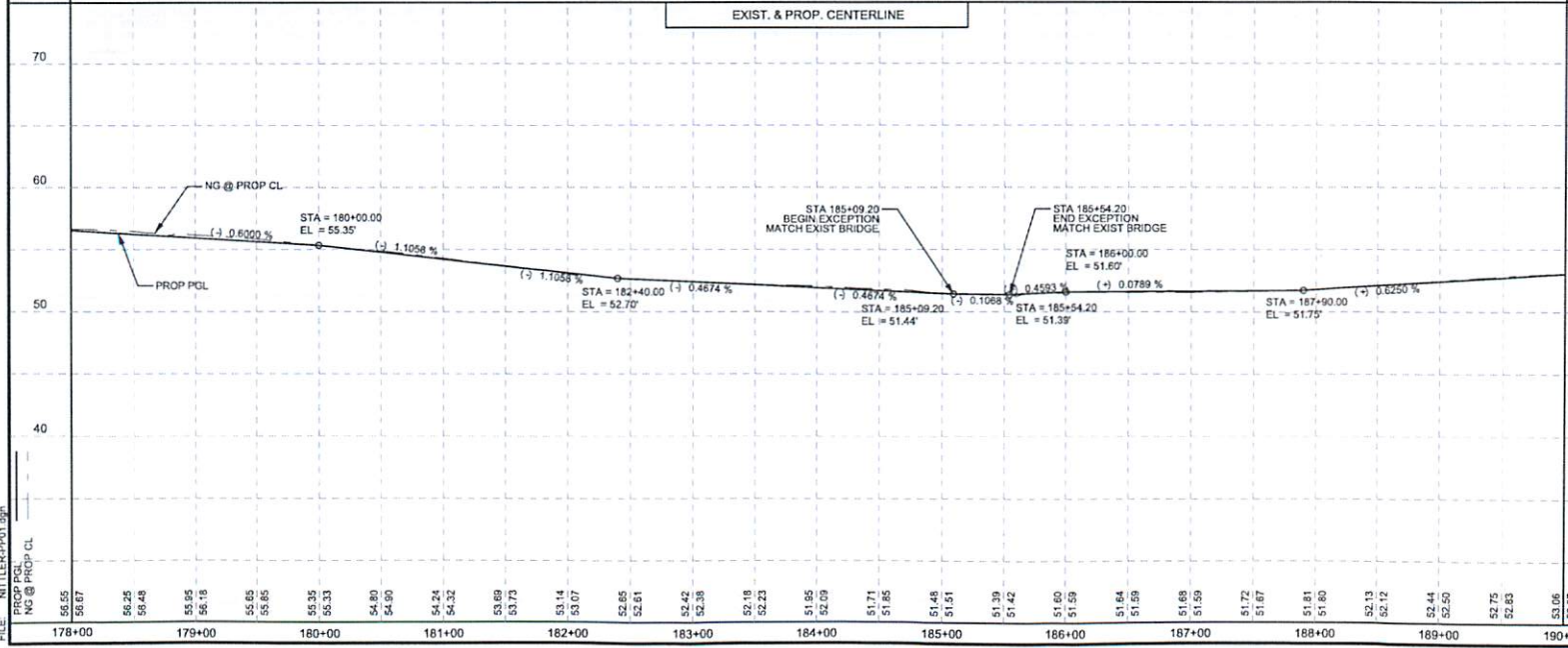
Ⓢ EXISTING SIGN TO REMAIN IN PLACE

ⓇⓁ EXISTING SIGN TO BE RELOCATED

NOTES

1. EXISTING ABOVE GROUND UTILITIES AND TOPOGRAPHY HAVE BEEN PLOTTED BY DIRECT FIELD INFORMATION AND AS SPOTTED BY UTILITY LOCATE REQUEST. THE CONTRACTOR WILL BE RESPONSIBLE FOR COORDINATING WITH UTILITY COMPANIES TO ESTABLISH THE EXACT LOCATION, DEPTH, AND SIZE OF UTILITY LINES. THE CONTRACTOR WILL ALSO BE RESPONSIBLE FOR COORDINATING WITH THE UTILITY COMPANIES FOR REPLACEMENT OR REPAIRS OF ALL UTILITIES DAMAGED BY THE CONTRACTOR.
2. UNLESS OTHERWISE SPECIFIED IN THE PLANS, TREES OR OTHER OBSTRUCTIONS IN CONFLICT WITH CONSTRUCTION SHALL BE REMOVED. REMOVAL WILL NOT BE PAID FOR DIRECTLY BUT SHALL BE CONSIDERED SUBSIDIARY TO THE VARIOUS ITEMS.
3. CONTRACTOR SHALL PERFORM ITS OWN CONSTRUCTION STAKING.
4. EXISTING SIGNS SHALL BE INSTALLED USING NEW POST AND FOUNDATION.
5. SEE PAVEMENT MARKINGS STANDARDS FOR STRIPING DETAILS.
6. RE-LOCATE ANY MAILBOXES IN CONFLICT WITH THE PROPOSED ROADWAY. RE-LOCATION OF MAILBOXES IS SUBSIDIARY TO PERTINENT BID ITEMS.
7. CONNECT ALL DRIVEWAYS AND TURNOUTS WITH A SMOOTH TRANSITION FROM PAVEMENT EDGE USING THE SAME MATERIAL THAT DRIVEWAYS IS CONSTRUCTED OF. (SUBSIDIARY TO PERTINENT BID ITEMS)

* RELOCATION OF SIGN IS SUBSIDIARY TO THE PERTINENT BID ITEMS. RELOCATE AS DIRECTED.



Mark D. Corbitt
 MARK D. CORBITT DATE: 8/16/2015

Hidalgo County
 Precinct 1

TEDSI INFRASTRUCTURE GROUP
 Consulting Engineers
 1201 E. Expressway #1
 Mission, Texas 78142
 (956) 424-7858

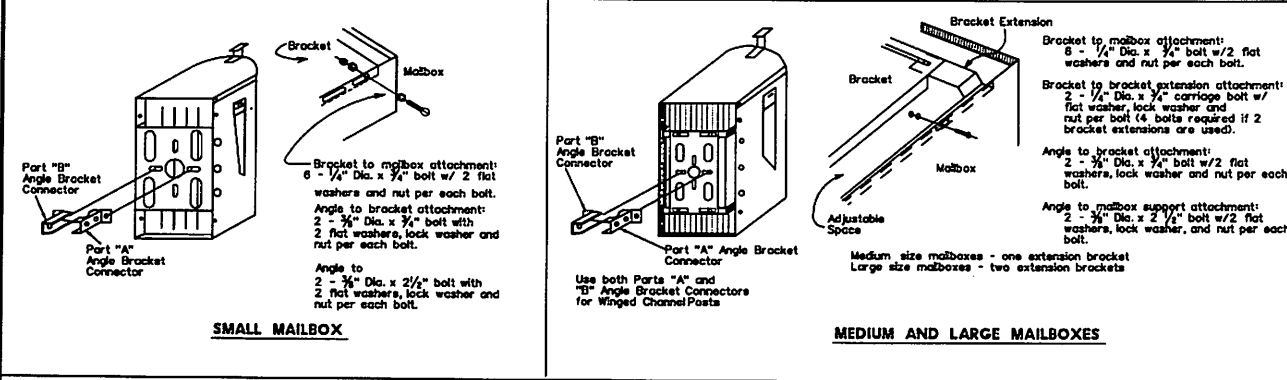
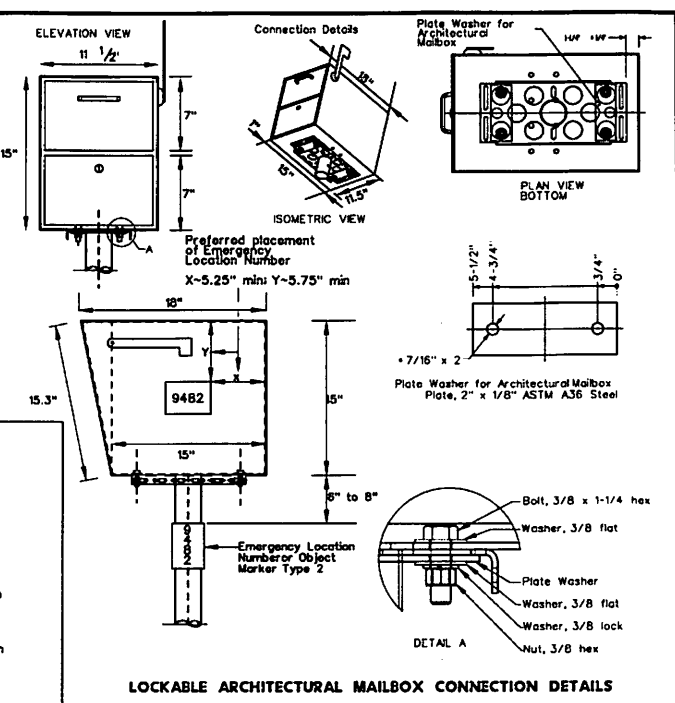
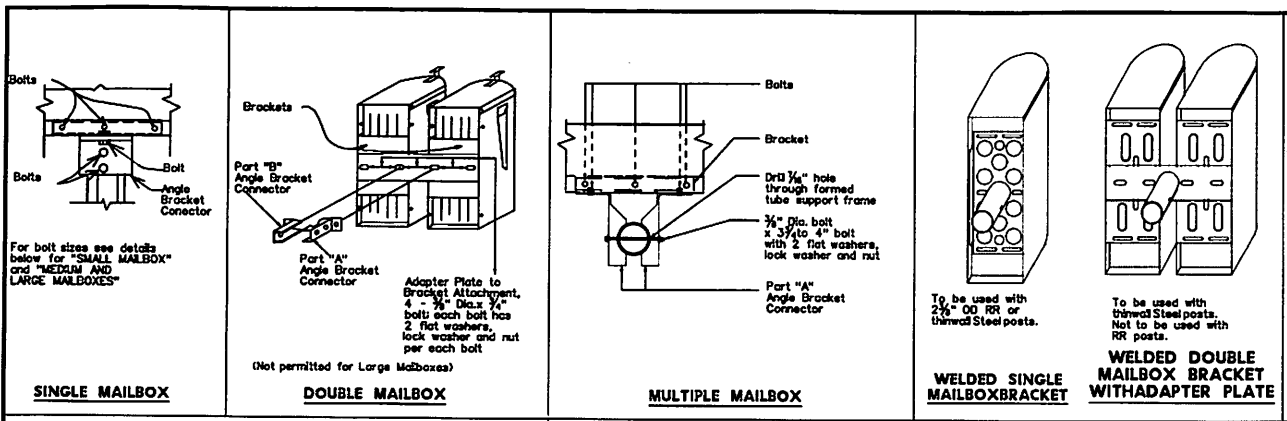
**NITTLER ROAD
 PLAN AND PROFILE
 STA. 178+00 TO STA. 190+00**

SCALE:
 HOR: 1" = 100'
 VER: 1" = 12'

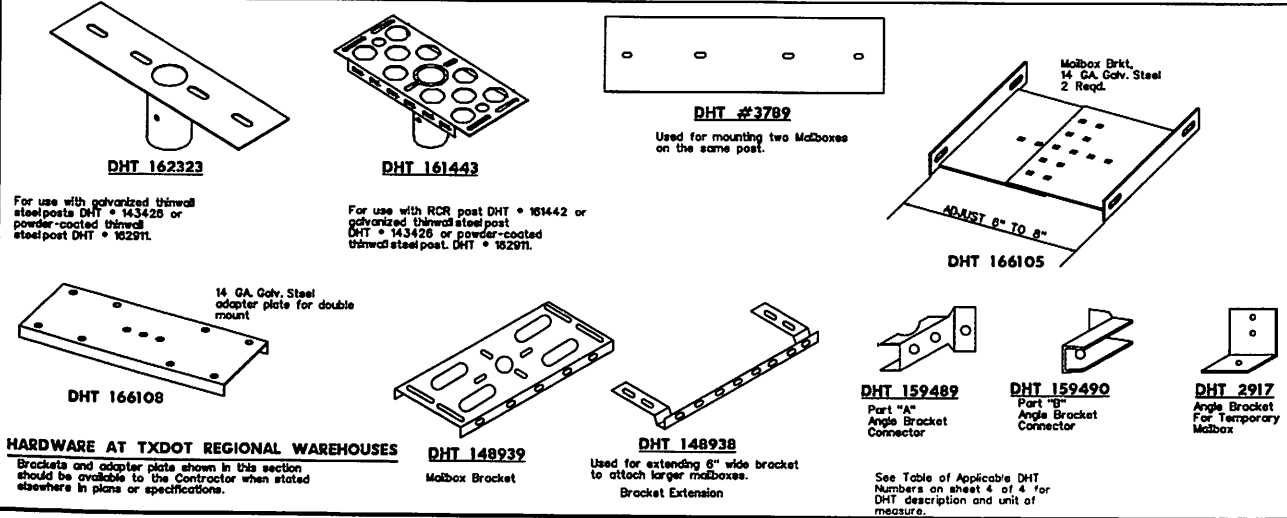
SHEET 15 OF 16

DATE	8/16/2015	1:26:16 PM
FILE	NITTLER.PROJ.dwg	
PROJECT	PROP CL	
CLIENT	NG @ PROP CL	
CONTRACT	CONF	SECT
DATE	JOB	HIGHWAY
DATE	COUNTY	NITTLER RD
DATE	CITY	HIDALGO
DATE	SHEET NO.	20

DISCLAIMER: This standard is governed by the "Texas Engineering Practice Act". No warranty of any kind is made by the Department of Transportation for the use of this standard in any other form or for incorrect results or damages resulting from its use.



- GENERAL NOTES**
- Connecting hardware detailed on this sheet is for the hardware that the Department stocks at the Regional Warehouses. This hardware is available to the contractor only when so stated elsewhere in the plans or specification.
 - Hardware for mounting mailboxes to the support/foundation furnished by industry should be used when shown on the Maintenance Divisions "Approved Products List." Only mailbox hardware that have been crash tested in accordance with NCHRP Report 350, will be on the approved list.
 - Hardware furnished by industry shall be erected in accordance with the manufacturer's recommendation.
 - Bracket and bracket extension shall be constructed of 14 gauge galvanized steel sheet metal.
 - The angles, brackets and adapter plates shall be constructed of 12 gauge galvanized steel sheet metal.
 - Items with evidence of damage to the galvanized coating or wet storage stains (white rust) will not be accepted.



SHEET 2 OF 4

Maintenance Division Standard

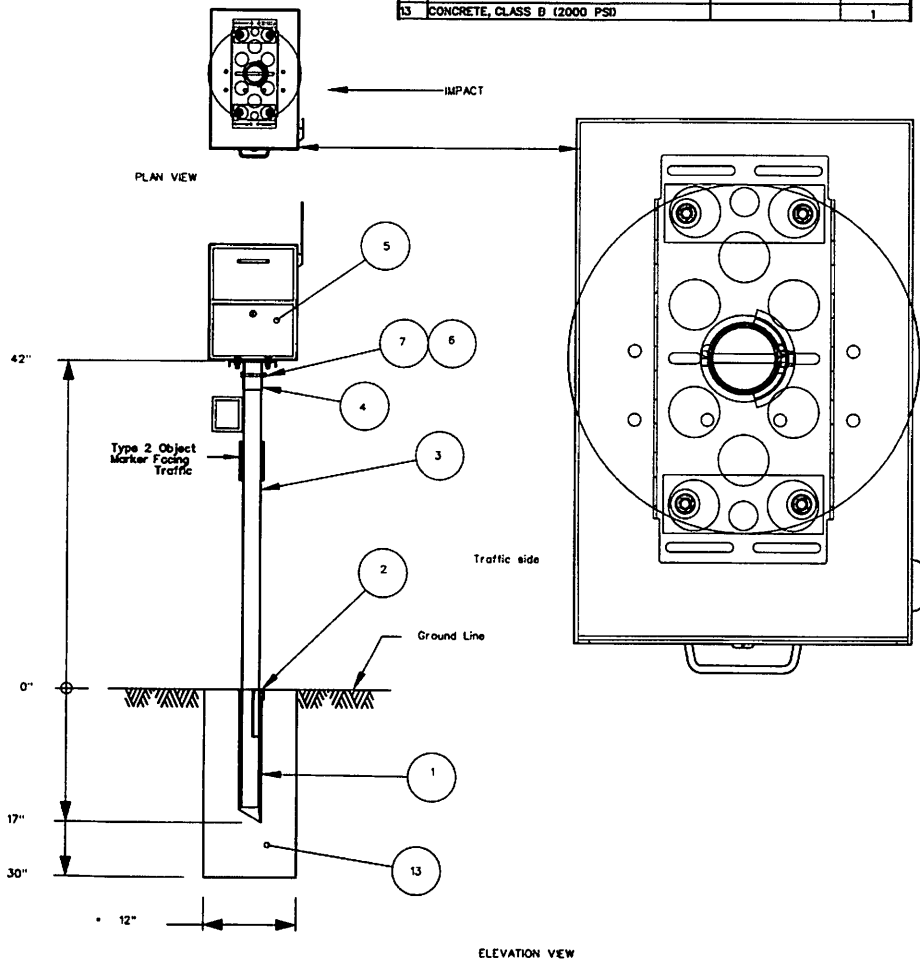
MAILBOX BRACKET CONNECTING DETAILS MB-15(1)

FILED/REVISED	DESIGNED	CIP	DRAWN	CHK
TXDOT APRIL 2015	CURT	RELT	JOE	HORWAT
APPROVED BY	REVISIONS		NETTLER	
DIST	COUNTY	SHEET NO.		23

LOCKABLE ARCHITECTURAL MAILBOX

SINGLE-MOUNT INSTALLATION PARTS			
* PART NAME	PART/DHT *	QTY	
1 SOCKET, TYPE 4 FOUNDATION	160891	1	
2 WEDGE FOR TYPE 4 FOUNDATION	160892	1	
3 THIN-WALL WHITE STEEL TUBE 2.375 OD	162911	1	
4 BRACKET FOR ATTACHING MAILBOX	161443	1	
5 ARCHITECTURAL MAILBOX	SEE NOTE	1	
6 NUT, 5/16" HEX	NUT, 5/16" HEX	1	
7 BOLT, 5/16" X 3 HEX	GRADE 5	1	
8 PLATE WASHER FOR ARCHITECTURAL MAILBOX	SEE SEE SHEET 2	2	
9 WASHER, 3/8 FLAT		8	
10 WASHER, 3/8 LOCK		4	
11 NUT, 3/8 HEX		4	
12 BOLT, 3/8" X 1-1/4" HEX	GRADE 5	4	
13 CONCRETE, CLASS B (2000 PSI)		1	

LOCKABLE ARCHITECTURAL MAILBOX DETAILS



DISCLAIMER: The use of this standard is governed by the "Texas Engineering Practices Act". No warranty of any kind is made by the Department of Transportation for the accuracy or completeness of the information contained in this standard or for the consequences of its use. The Department of Transportation is not responsible for any damages resulting from its use.

TABLE OF APPLICABLE DHT NUMBERS

DHT NUMBER	DESCRIPTION
FOUNDATIONS	
46625	WEDGE FOR V-WING SOCKET FOR TYPE 1 FOUNDATION
149340	V-WING SOCKET FOR TYPE 1 FOUNDATION
143433	WEDGE FOR TYPE 2 FOUNDATION
143434	ANCHOR FOR TYPE 2 FOUNDATION
166103	ANCHOR FOR TYPE 7 FOUNDATION
160891	SOCKET FOR TYPE 4 FOUNDATION
160892	WEDGE FOR TYPE 4 FOUNDATION
160904	WEDGE FOR TYPE 7 FOUNDATION
POSTS	
4289	WINGED CHANNEL MAILBOX POST
149339	MULTIPLE MAILBOX POST (GALVANIZED TUBING)
164118	MULTIPLE MAILBOX POST (WHITE COATED)
166114	MULTIPLE MAILBOX POST (WHITE COATED OCTAGONAL)
166153	MULTIPLE MAILBOX POST (GALVANIZED OCTAGONAL)
161442	RECYCLED RUBBER POST FOR SMALL MAILBOX ONLY
143426	THIN-WALL GALVANIZED STEEL TUBE 2.375" OUTER DIAMETER
162911	THIN-WALL WHITE STEEL TUBE 2.375" OUTER DIAMETER
	SINGLE OR DOUBLE THIN-WALL MAILBOX POST GALVANIZED
166152	2" OCTAGONAL
	SINGLE OR DOUBLE THIN-WALL MAILBOX POST WHITECOATED
166112	2" OCTAGONAL
REFLECTIVE SHEETING	
161812	REFLECTIVE SHEETING FOR EMERGENCY LOCATION NUMBER PANEL
CONNECTING HARDWARE	
2917	ANGLE BRACKET USED FOR TEMPORARY MAILBOX SUPPORT
166105	BRACKET FOR SINGLE MOUNTING OF MAILBOXES (MOUNTING KIT)
3789	PLATE FOR DOUBLE MOUNTING OF MAILBOXES
166106	BRACKET FOR DOUBLE MOUNTING OF MAILBOXES (MOUNTING KIT)
166111	BRACKET FOR MULTIPLE MOUNTING OF MAILBOXES (MOUNTING KIT)
48939	BRACKET FOR ATTACHING SMALL OR MEDIUM SIZE MAIL BOX
48938	EXTENDER TO BRACKET FOR ATTACHING LARGE MAILBOX
59489	ANGLE BRACKET PART A
59490	ANGLE BRACKET PART B
	BRACKET FOR DOUBLE MOUNTING OF MAILBOXES ON THINWALL
162323	STEEL POST, GALVANIZED OR POWDERCOATED.
	BRACKET FOR ATTACHING MAILBOX TO RECYCLED RUBBER POST
161443	END TO MULTIPLE WHITE MAILBOX POST
168358	CASTING (NEWSPAPER RECEPTACLE BRACKET)
163731	U-BOLT (NEWSPAPER RECEPTACLE BRACKET)
160698	BOLT:HEX HEAD, GALV:3/8" DIA X 3/4" L, HD, W/2-FLAT WASHERS
163750	BOLT:HEX HEAD, GALV:3/8" X 1-1/2", 16 NC, W/WASHERS
160701	BOLT:HEX HEAD, GALV:3/8" DIA X 2-1/2" L, HD, W/2-FLAT WASHERS
163730	BOLT:HEX HEAD, GALV:3/8" X 3-1/2", NC, W/NUT, 2 FLAT WASHERS
160699	BOLT:HEX HEAD, GALV:3/8" DIA X 3-3/4" L, HD, W/2-FLAT WASHERS
160700	BOLT:HEX HEAD, GALV:3/8" DIA X 4" L, HD, W/2-FLAT WASHERS



Maintenance Division Standard

DHT NUMBERS TABLE
MB-15(1)

FILE#MB15.DGN	DATE	CD	CD	CD	CD
©1001 APRIL 2015	CDT	SECT	JOB	NOBENT	HTTLER
REVISED	DST	COUNTY			SHEET NO. 25

SIGN SUPPORT DESCRIPTIVE CODES

(Descriptive Codes correspond to project estimate and quantities sheets)

SM RD SGN ASSM TY XXXXX(X)XX(X-XXXX)

Part Type
 FRP - Fiberglass Reinforced Plastic Pipe (see SMOFRP?)
 TW1 - Thin-Walled Tubing (see SMO(TW1))
 BWC - 1/2 BWC Tubing (see SMO(SLP-1) to (SLP-3))
 SSO - Schedule 80 Pipe (see SMO(SLP-1) to (SLP-3))

Number of Posts (1 or 2)

Anchor Type
 UA - Universal Anchor - Concrete (see SMO(URP) and (TW1))
 UB - Universal Anchor - Bolted Down (see SMO(URP) and (TW1))
 WP - Wedge Anchor Plastic (see SMO(TW1))
 SA - Sillbase - Concrete (see SMO(SLP-1) to (SLP-3))
 SB - Sillbase - Bolted Down (see SMO(SLP-1) to (SLP-3))

Sign Mounting Designation

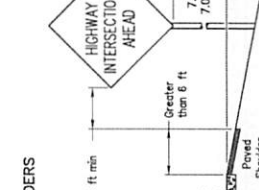
P - Preload "Pillar" (see SMO(SLP-1) to (SLP-3), (TW1), (FRP))
 U - U-bolt (see SMO(SLP-1) to (SLP-3), (TW1))
 L - L-Bracket (see SMO(SLP-1) to (SLP-3), (TW1))
 F - REQUIRED
 EXT or 2EXT - Number of Extensions (see SMO(SLP-1) to (SLP-3), (TW1))
 BU - Extruded Wind Broom (see SMO(SLP-1) to (SLP-3))
 WC - 1/2 1/4" Wing Channel (see SMO(SLP-1) to (SLP-3))
 EXL - Extruded Aluminum Sign Panels (see SMO(SLP-3))

REQUIRED CLEARANCE FOR BREAKAWAY SUPPORT

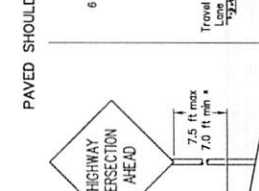


To avoid vehicle undercarriage snagging, any substantial remains of a breakaway support, when it is broken away, should not project more than 4 inches above a 60-inch chord (i.e., typical space between wheelpaths).

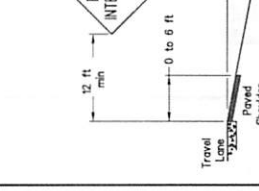
SIGN LOCATION



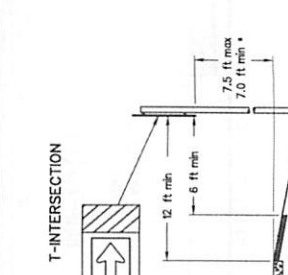
GREATER THAN 6 FT. WIDE
 When the shoulder is greater than 6 ft. in width, the sign must be placed at least 6 ft. from the edge of the shoulder.



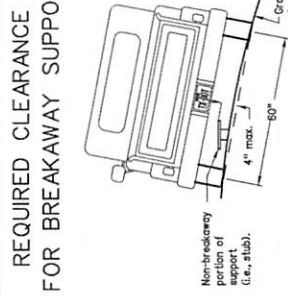
LESS THAN 6 FT. WIDE
 When the shoulder is 6 ft. or less in width, the sign must be placed at least 12 ft. from the edge of the travel lane.



BEHIND CONCRETE BARRIER
 Sign clearance based on distance required for proper guard rail or concrete barrier performance.



When this sign is needed at the end of a travel lane, any roadway, the right edge of the shoulder, be in line with the centerline of the roadway. Place as close to ROW as practical.



When a supplemental plaque or secondary sign is used, the 7 ft sign height is measured to the bottom of the plaque or secondary sign.



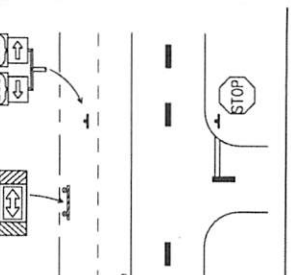
Right-of-way restrictions may be created by rocks, water, vegetation, forest, buildings, a narrow island, or other factors. In situations where a listed restriction prevents the minimum horizontal clearance from the edge of the travel lane, signs should be placed as far from the travel lane as practical.

Post may be shorter if protected by road sign post. Post must be at least 4 ft high. Post could not be hit due to extreme slope.

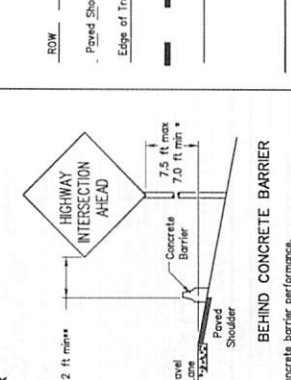
Sign clearance based on distance required for proper guard rail or concrete barrier performance.

Signs with plaques

Curbs and gutters or raised islands



When a supplemental plaque or secondary sign is used, the 7 ft sign height is measured to the bottom of the plaque or secondary sign.



Right-of-way restrictions may be created by rocks, water, vegetation, forest, buildings, a narrow island, or other factors. In situations where a listed restriction prevents the minimum horizontal clearance from the edge of the travel lane, signs should be placed as far from the travel lane as practical.

Post may be shorter if protected by road sign post. Post must be at least 4 ft high. Post could not be hit due to extreme slope.

Sign clearance based on distance required for proper guard rail or concrete barrier performance.

Signs with plaques

Curbs and gutters or raised islands

Sign mounting details

Back-to-back signs

Single signs

U-bolt

Sign clamp

Sign panel

Nut, lock washer

Sign bolt

Clamp bolt

Nylon washer, flat washer, lock washer, nut

Approximate Bolt Length

Specific Clamp

Universal Clamp

3" or 3 1/2"

3 or 3 1/2"

3 1/2 or 4"

4 1/2"

Sign clamps may be either the specific size clamp or the universal clamp.

Bolts used to mount sign panels to the clamp are 5/16"-8 UNC hex cap screws with nut, flat washer, and lock washer. The bolt length is 1 inch for aluminum.

When two sign clamps are used to mount signs back-to-back, use a 5/16"-8 UNC galvanized hex head post. An appropriate bolt length for various post sizes and sign clamp types are given in the table at right. The bolt length may need to be adjusted depending upon field conditions.

Sign clamps may be either the specific size clamp or the universal clamp.

Sign clamps may be either the specific size clamp or the universal clamp.

Sign clamps may be either the specific size clamp or the universal clamp.

Sign clamps may be either the specific size clamp or the universal clamp.

Sign clamps may be either the specific size clamp or the universal clamp.

Sign clamps may be either the specific size clamp or the universal clamp.

Sign clamps may be either the specific size clamp or the universal clamp.

Sign clamps may be either the specific size clamp or the universal clamp.

Signs should be mounted using the following condition that results in the greatest sign elevation:

- (1) a minimum of 7 to a maximum of 7.5 feet above the edge of the travel lane or
- (2) a minimum of 7 to a maximum of 7.5 feet above the grade at the base of the support when sign is installed on the backstop.

The maximum values may be increased when directed by the Engineer.

See the Traffic Operations Division website for detailed drawings of sign clamps, Triangular Signpost System components and Wedge Anchor System components.

The website address is:
<http://www.tdot.gov/publications/traffic.htm>

Texas Department of Transportation
 Traffic Operations Division

SIGN MOUNTING DETAILS
SMALL ROADSIDE SIGNS
GENERAL NOTES & DETAILS
SMD(GEN)-08

DATE: 01/01/07	BY: J. M. HARRIS	DATE: 07/20/2016	BY: J. M. HARRIS	DATE: 07/20/2016	BY: J. M. HARRIS
PROJECT: 9-08	DATE: 07/20/2016	DATE: 07/20/2016	DATE: 07/20/2016	DATE: 07/20/2016	DATE: 07/20/2016
DESIGNER: NITTLER	CHECKER: NITTLER	DATE: 07/20/2016	DATE: 07/20/2016	DATE: 07/20/2016	DATE: 07/20/2016
DATE: 07/20/2016	DATE: 07/20/2016	DATE: 07/20/2016	DATE: 07/20/2016	DATE: 07/20/2016	DATE: 07/20/2016

DATE: 8/16/2016 4:28:18 PM FILE: P:\2016\2016-2002-01\NITTLER\WA\Design\CSS\Standard\Signs\Smdgen.dgn

DATE: 8/16/2016 4:28:18 PM FILE: P:\2016\2016-2002-01\NITTLER\WA\Design\CSS\Standard\Signs\Smdgen.dgn

DATE: 8/16/2016 4:28:18 PM FILE: P:\2016\2016-2002-01\NITTLER\WA\Design\CSS\Standard\Signs\Smdgen.dgn

DATE: 8/16/2016 4:28:18 PM FILE: P:\2016\2016-2002-01\NITTLER\WA\Design\CSS\Standard\Signs\Smdgen.dgn

DATE: 8/16/2016 4:28:18 PM FILE: P:\2016\2016-2002-01\NITTLER\WA\Design\CSS\Standard\Signs\Smdgen.dgn

DATE: 8/16/2016 4:28:18 PM FILE: P:\2016\2016-2002-01\NITTLER\WA\Design\CSS\Standard\Signs\Smdgen.dgn

DATE: 8/16/2016 4:28:18 PM FILE: P:\2016\2016-2002-01\NITTLER\WA\Design\CSS\Standard\Signs\Smdgen.dgn

DATE: 8/16/2016 4:28:18 PM FILE: P:\2016\2016-2002-01\NITTLER\WA\Design\CSS\Standard\Signs\Smdgen.dgn

DATE: 8/16/2016 4:28:18 PM FILE: P:\2016\2016-2002-01\NITTLER\WA\Design\CSS\Standard\Signs\Smdgen.dgn

DATE: 8/16/2016 4:28:18 PM FILE: P:\2016\2016-2002-01\NITTLER\WA\Design\CSS\Standard\Signs\Smdgen.dgn

DATE: 8/16/2016 4:28:18 PM FILE: P:\2016\2016-2002-01\NITTLER\WA\Design\CSS\Standard\Signs\Smdgen.dgn

DATE: 8/16/2016 4:28:18 PM FILE: P:\2016\2016-2002-01\NITTLER\WA\Design\CSS\Standard\Signs\Smdgen.dgn

DATE: 8/16/2016 4:28:18 PM FILE: P:\2016\2016-2002-01\NITTLER\WA\Design\CSS\Standard\Signs\Smdgen.dgn

DATE: 8/16/2016 4:28:18 PM FILE: P:\2016\2016-2002-01\NITTLER\WA\Design\CSS\Standard\Signs\Smdgen.dgn

DATE: 8/16/2016 4:28:18 PM FILE: P:\2016\2016-2002-01\NITTLER\WA\Design\CSS\Standard\Signs\Smdgen.dgn

DATE: 8/16/2016 4:28:18 PM FILE: P:\2016\2016-2002-01\NITTLER\WA\Design\CSS\Standard\Signs\Smdgen.dgn

DATE: 8/16/2016 4:28:18 PM FILE: P:\2016\2016-2002-01\NITTLER\WA\Design\CSS\Standard\Signs\Smdgen.dgn

DATE: 8/16/2016 4:28:18 PM FILE: P:\2016\2016-2002-01\NITTLER\WA\Design\CSS\Standard\Signs\Smdgen.dgn

DATE: 8/16/2016 4:28:18 PM FILE: P:\2016\2016-2002-01\NITTLER\WA\Design\CSS\Standard\Signs\Smdgen.dgn

DATE: 8/16/2016 4:28:18 PM FILE: P:\2016\2016-2002-01\NITTLER\WA\Design\CSS\Standard\Signs\Smdgen.dgn

DATE: 8/16/2016 4:28:18 PM FILE: P:\2016\2016-2002-01\NITTLER\WA\Design\CSS\Standard\Signs\Smdgen.dgn

DATE: 8/16/2016 4:28:18 PM FILE: P:\2016\2016-2002-01\NITTLER\WA\Design\CSS\Standard\Signs\Smdgen.dgn

DATE: 8/16/2016 4:28:18 PM FILE: P:\2016\2016-2002-01\NITTLER\WA\Design\CSS\Standard\Signs\Smdgen.dgn

DATE: 8/16/2016 4:28:18 PM FILE: P:\2016\2016-2002-01\NITTLER\WA\Design\CSS\Standard\Signs\Smdgen.dgn

DATE: 8/16/2016 4:28:18 PM FILE: P:\2016\2016-2002-01\NITTLER\WA\Design\CSS\Standard\Signs\Smdgen.dgn

DATE: 8/16/2016 4:28:18 PM FILE: P:\2016\2016-2002-01\NITTLER\WA\Design\CSS\Standard\Signs\Smdgen.dgn

DATE: 8/16/2016 4:28:18 PM FILE: P:\2016\2016-2002-01\NITTLER\WA\Design\CSS\Standard\Signs\Smdgen.dgn

DATE: 8/16/2016 4:28:18 PM FILE: P:\2016\2016-2002-01\NITTLER\WA\Design\CSS\Standard\Signs\Smdgen.dgn

DATE: 8/16/2016 4:28:18 PM FILE: P:\2016\2016-2002-01\NITTLER\WA\Design\CSS\Standard\Signs\Smdgen.dgn

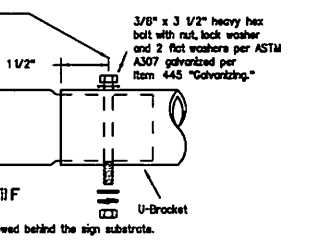
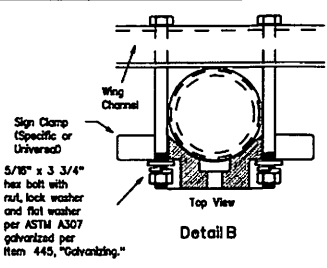
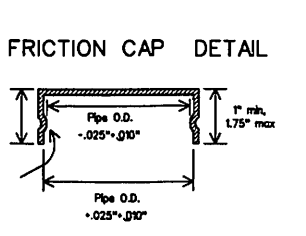
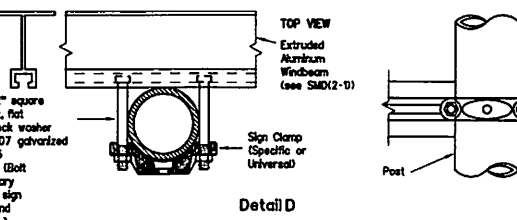
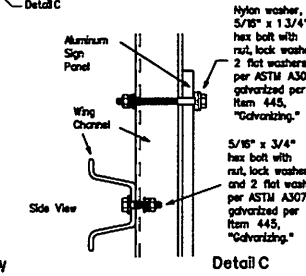
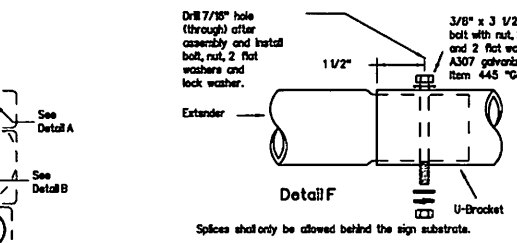
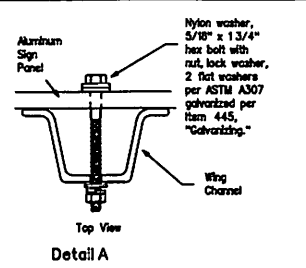
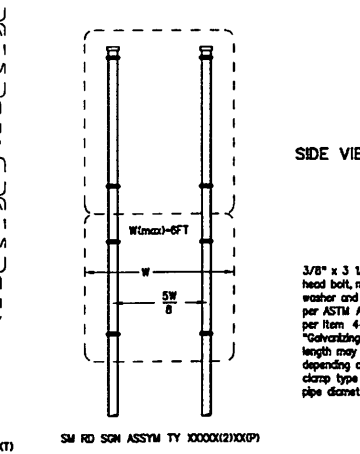
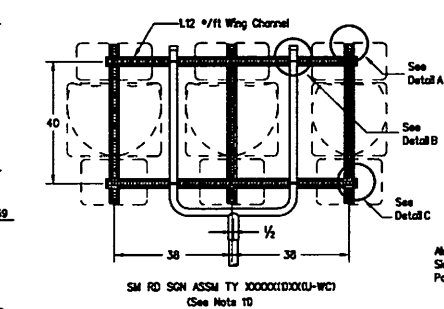
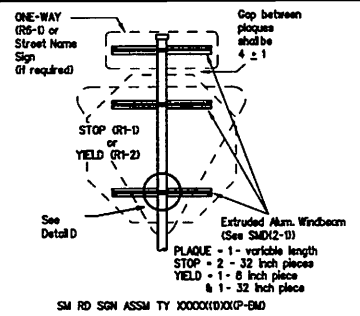
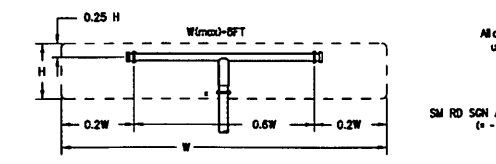
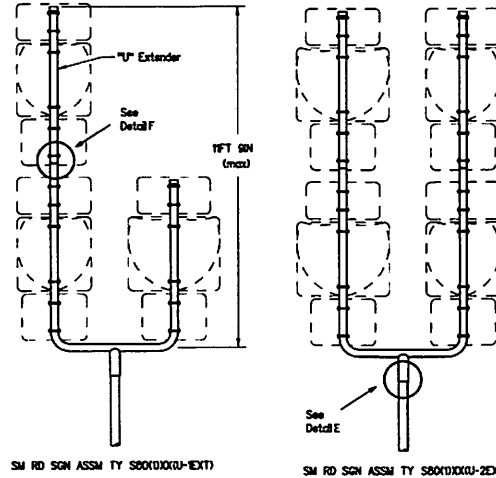
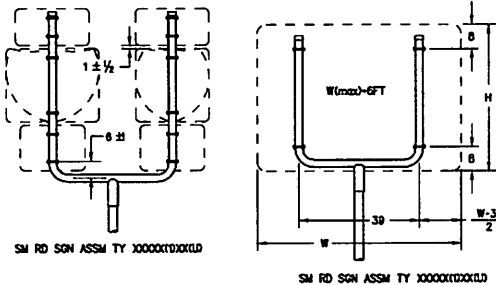
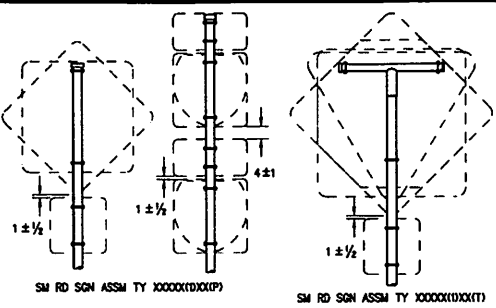
DATE: 8/16/2016 4:28:18 PM FILE: P:\2016\2016-2002-01\NITTLER\WA\Design\CSS\Standard\Signs\Smdgen.dgn

DATE: 8/16/2016 4:28:18 PM FILE: P:\2016\2016-2002-01\NITTLER\WA\Design\CSS\Standard\Signs\Smdgen.dgn

DATE: 8/16/2016 4:28:18 PM FILE: P:\2016\2016-2002-01\NITTLER\WA\Design\CSS\Standard\Signs\Smdgen.dgn

DATE: 8/16/2016 4:28:18 PM FILE: P:\2016\2016-2002-01\NITTLER\WA\Design\CSS\Standard\Signs\Smdgen.dgn

DATE: 8/19/2018 4:28:19 PM
 FILE: P:\3038\3038-2002-01\Letter_WA_T\Design\CAS\Standards\Sigops\sm2.dgn
 DISCLAIMER: The use of this standard is governed by the "Texas Engineering Practices Act". No warranty of any kind is made by the State of Texas or any person or organization for treatment results or diagnosis resulting from the use of this standard. It is the user's responsibility to obtain the latest edition of this standard.



GENERAL NOTES:

SIGN SUPPORT	OF POSTS	MAX. SIGN AREA
10 B/W	1	15 SF
10 B/W	2	32 SF
Sch 50	1	32 SF
Sch 50	2	64 SF

- The Engineer may require that a Schedule 80 post be used in place of a 10 B/W where a sign height is abnormally high due to a 1% slope.
- Sign support posts shall not be spliced except where shown. Sign support posts shall not be spliced.
- Aluminum sign blanks shall conform to Departmental Material Specifications DMS-710 and shall have the following minimum thicknesses: 0.030 for signs less than 7.5 sq. ft., 0.030 for signs 7.5 to 15 sq. ft., and 0.025 for signs greater than 15 sq. ft.
- Signs that require specific supports due to reasons in addition to windloading are indicated on the "REQUIRED SUPPORT" table on this sheet.
- For horizontal rectangular signs fabricated from flat aluminum, T-brackets are used for signs 24 inches or less in height. U-brackets are used for signs of greater height.
- When two triangular slipbase supports are used to support a single sign, they shall not be "T-jointed" connected to each other except through the sign panel. This will allow each support to act independently when impacted by an errant vehicle.
- Wing channel shall meet ASTM A 1011 SS Gr 50 and be galvanized per ASTM A 123.
- Excess pipe, wing channel, or windbeam shall be cut off so that it does not extend beyond the sign panel (i.e., excess support shall not be visible when the sign is viewed from the front.) Repair galvanized coating of cut support ends per Item 445, "Galvanizing."
- Additional route markers may be added vertically, provided the total sign area does not exceed the maximum allowable amount per Note 1.
- Additional sign clamp required on the "T-bracket" post for 24 inch height signs. Place the clamp 3 inches above bottom of sign when possible.
- Post open ends shall be fitted with Friction Caps.
- Sign blanks shall be the sizes and shapes shown on the plans.

REQUIRED SUPPORT

SIGN DESCRIPTION	SUPPORT
48-inch STOP sign (R1-D)	TY 10B/W(D)X0(T)
60-inch YIELD sign (R1-2)	TY 10B/W(D)X0(P-BAD)
48x48-inch ONE-WAY sign (R1-D)	TY 10B/W(D)X0(P-BAD)
36x48, 48x36, and 48x48-inch signs	TY 10B/W(D)X0(T)
48x60-inch signs	TY S800(D)X0(T)
48x48-inch signs (diamond or square)	TY 10B/W(D)X0(T)
48x60-inch signs	TY S800(D)X0(T)
48-inch Advance School X-ing sign (S1-D)	TY 10B/W(D)X0(T)
48-inch School X-ing sign (S2-D)	TY 10B/W(D)X0(T)
Large Arrow sign (W1-6 & W1-7)	TY 10B/W(D)X0(T)

Friction caps may be manufactured from hot rolled or cold rolled steel sheets. The minimum sheet metal thickness shall be 24 gauge for all cap sizes. The rim edges shall be reasonably straight and smooth. Caps shall be sized and formed in such a manner as to produce a drive-on friction fit and have no tendency to rock when seated on the pipe. The depth shall be sufficient to give positive protection against entrance of rainwater. They shall be free of sharp creases or indentations and show no evidence of metal fractures. Caps shall have an electrodeposited coating of zinc in accordance with the requirements of ASTM B833 Class FE/ZN 8.

Texas Department of Transportation
 Traffic Operations Division

SIGN MOUNTING DETAILS
SMALL ROADSIDE SIGNS
TRIANGULAR SLIPBASE SYSTEM

SMD(SLIP-2)-08

© 11/07 July 2002	REVISED	DATE	BY	CHKD	BY
9-08					

26C

Texas Department of Transportation
 Traffic Operations Division

SIGN MOUNTING DETAILS
SMALL ROADSIDE SIGNS
TRIANGULAR SLIPBASE SYSTEM
 SMD(SLP-3)-08

9-08
 174001 July 2002

DATE	BY	CHKD	APP	REV	NO.
29					

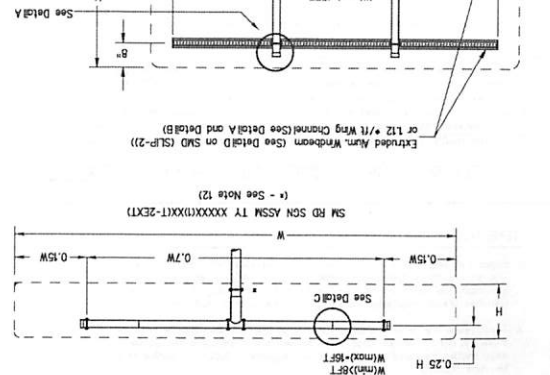
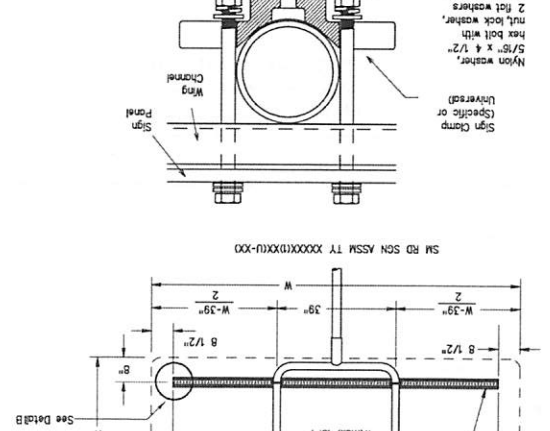
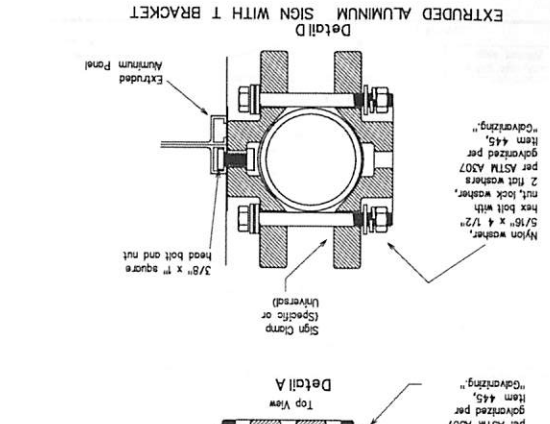
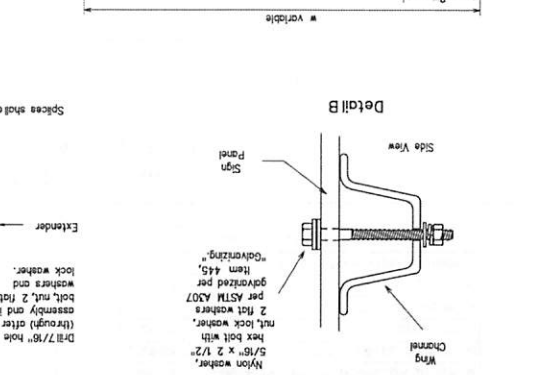
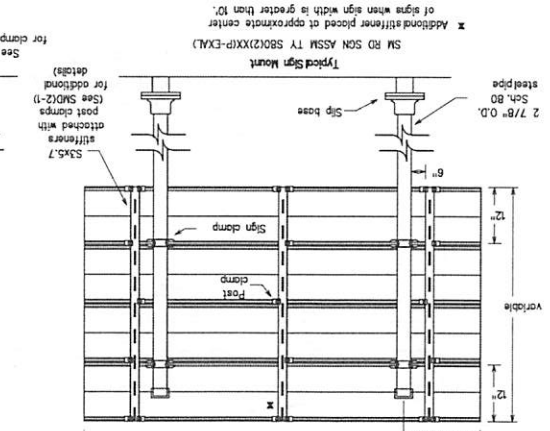
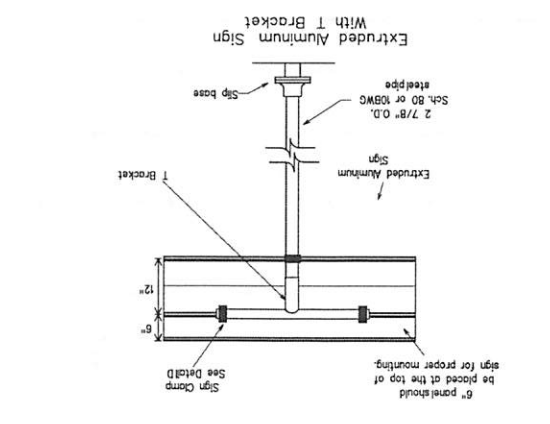
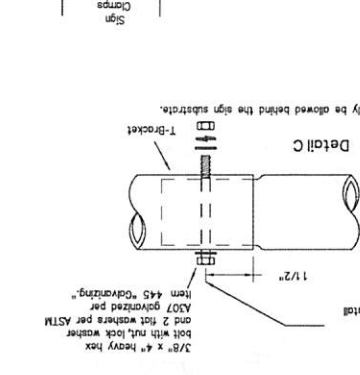
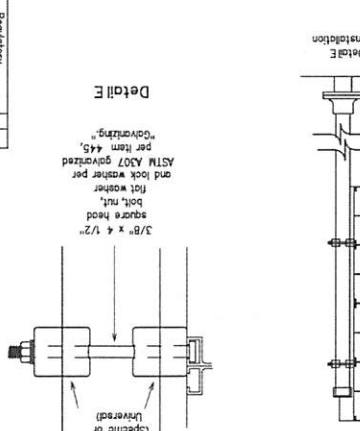
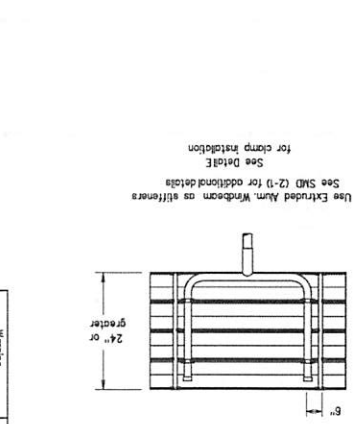
SIGN DESCRIPTION	TY	NOBWC(DXXXT)	SUPPORT
48-inch STOP sign (R-1)	TY NOBWC(DXXXT)		
48-inch YIELD sign (R-2)	TY NOBWC(DXXXT)		
48-inch ONE-WAY sign (R-6-1)	TY NOBWC(DXXXT)		
48x60-inch diamond or square	TY SBO(DXXXT)		
48x60-inch signs	TY SBO(DXXXT)		
48-inch Advance School-Xing sign (S-1)	TY NOBWC(DXXXT)		
48-inch School-Xing sign (S-2-1)	TY NOBWC(DXXXT)		
Large Arrow sign (W-6 & W-7)	TY NOBWC(DXXXT)		

REQUIRED SUPPORT

SIGN SUPPORT	MAX. SIGN AREA	NO. OF POSTS	NO. OF POSTS	NO. OF POSTS	NO. OF POSTS
10 B.W.G.	78 SF	1	1	1	1
10 B.W.G.	32 SF	2	2	2	2
S&B 80	32 SF	1	1	1	1
S&B 80	64 SF	2	2	2	2

GENERAL NOTES:

1. SIGN SUPPORT * OF POSTS
2. The Engineer may require that a Schenada 80 post be used in place of a 10 B.W.G. where a sign height is dominantly high due to a fill slope.
3. Sign supports shall not be spaced except where shown.
4. Aluminum sign brackets shall conform to Departmental Material Specifications DMS-710 and shall have the following minimum thicknesses: 0.080 for signs less than 7.5 sq. ft., 0.100 for signs 7.5 to 15 sq. ft., and 0.125 for signs greater than 15 sq. ft.
5. Signs that require special supports due to reasons for horizontal rectangular signs indicated on the "REQUIRED SUPPORT" table on this sheet.
6. For horizontal rectangular signs indicated on this sheet, T-brackets are used for signs 24 inches or less in height. U-brackets are used for signs of greater height. U-brackets are used for signs of greater height.
7. Signs that require special supports are used to support a single sign, they shall not be "rigidly" connected to each other except through the sign panel. This shall allow each support to act independently when impacted by an errant vehicle.
8. When impacted by an errant vehicle, signs shall be supported by an errant vehicle.
9. Excess post, wing channel, or weldment shall be cut off so that it does not extend beyond the sign panel. Sign is welded from the front. Head doweled. (i.e., excess support should be visible when the coating at cut support ends per Item 445, "Coating")
10. Sign blocks shall be the size and shape shown on the plans.
11. Additional sign sign required on the "T-bracket" post for 24 inch high signs. Place the clamp 3 inches above bottom of sign when possible.
12. Post open ends shall be fitted with friction caps.





PURCHASING DEPARTMENT
County Of Hidalgo

September 13, 2016

IOC Company, LLC
9312 E. Curve Rd.
Edinburg, Texas 78542

RE: BID NO.: 2016-289-08-31-YZV
CONTRACT №: C-16-289-09-06
Notice of Bid Award for: Hidalgo County Precinct No. 1 –
Paving & Drainage Improvements – Nittler Road

Dear Mr. Cuellar ,

Congratulations! This is to notify you that pursuant to action taken at the Commissioners' Court meeting held on September 06, 2016, the Base Bid for the above-mentioned project, was awarded to your company in the total amount of \$1,167,775.65. The award was made subject to your company complying with HB-1295 described in the attached letter.

Our next step will be to complete a contract to present to Commissioners' Court for approval. For this purpose, five original copies of the contract will have to be distributed; therefore, we are requesting you to provide Payment and Performance Bonds in five original sealed duplicates dated for September 06, 2016, and your Acord certificate of insurance with required coverages.

We need to proceed with this project as soon as possible; therefore, we are requesting for you to contact Mr. Mark Corbitt at the office of the project engineer TEDSI Infrastructure Group, at 956-424-7898 at your earliest convenient time for additional forms and information required.

We sincerely appreciate your time and interest in submitting bids and we extend an invitation to you on future bids. If you have any questions please call me @ 318-2626 or to my e-mail address yolanda.velasquez@co.hidalgo.tx.us. Thank you.

Sincerely,

Yolanda Velasquez, Buyer III
Hidalgo County Purchasing Department

Enclosures



**Hidalgo County Purchasing Department
2812 S. Business Highway 281
Edinburg, Texas 78539
(956) 318-2626/ Fax: (956) 318-2629**

September 13, 2016

IOC Company, LLC
9312 E. Curve Rd.
Edinburg, Texas 78542

**RE: BID NO.: 2016-289-08-31-YZV
Bid Award for: Hidalgo County Precinct No. 1 – Paving & Drainage Improvements - Nittler Road**

Dear Mr. Cuellar,

In order to process the award of bid/contract resulting from this bid, the County is required, as of January 1, 2016, to comply with Texas Government Code, §2252.908, and the rules issued by the Texas Ethics Commission found in Title 1, Section 46.1, 46.3 and 46.5 of the Texas Administrative Code. In accordance with these requirements for the type of contract being considered, a business must submit a completed Certificate of Interested Parties Form 1295, to the County before the County may enter into a contract with the business entity.

In order for County staff to process the above referenced bid, you must complete Form 1295 and file Form 1295 with the Texas Ethics Commission. You can find the 1295 form through the Texas Ethics Commission at the following website:

https://www.ethics.state.tx.us/whatsnew/elf_info_form1295.htm

In box 3 of Form 1295, provide the Bid No.: **C-16-289-09-06**. Once completed and filed with the Texas Ethics Commission, Form 1295 must be printed and signed in the presence of a notary and submitted to our office by the deadline stated below.

In order to maintain the schedule for presentation to Commissioners Court on, September 27, 2016, the signed notarized Form 1295 must be received in our office completed via email to: yolanda.velasquez@co.hidalgo.tx.us on or before Friday, September 16, 2016. Hidalgo County cannot enter into a contract until Form 1295 is submitted, therefore, failure to timely submit Form 1295 signed, and notarized may result in delay of award.

Hidalgo County Purchasing Department welcomes and appreciates your participation in the bid process.

If any further assistance is required, please do not hesitate to call the Purchasing Department 956/318-2626.

Sincerely,

Martha L. Salazar

Martha L. Salazar, CPPB
Hidalgo County Purchasing Agent

MLS/yzv

CERTIFICATE OF INTERESTED PARTIES

FORM 1295

1 of 1

Complete Nos. 1 - 4 and 6 if there are interested parties.
Complete Nos. 1, 2, 3, 5, and 6 if there are no interested parties.

OFFICE USE ONLY CERTIFICATION OF FILING

1 Name of business entity filing form, and the city, state and country of the business entity's place of business.
IOC Company, LLC
Edinburg, TX United States

Certificate Number:
2016-112823

Date Filed:
09/15/2016

Date Acknowledged:

2 Name of governmental entity or state agency that is a party to the contract for which the form is being filed.
Hidalgo County Precinct No.1

3 Provide the identification number used by the governmental entity or state agency to track or identify the contract, and provide a description of the services, goods, or other property to be provided under the contract.
C-16-289-09-06
Paving & Drainage Improvements - Nittler Road

4	Name of Interested Party	City, State, Country (place of business)	Nature of interest (check applicable)	
			Controlling	Intermediary
	Cuellar, Oscar	Edinburg, TX United States	X	
	Cuellar, Nancy	Edinburg, TX United States	X	

5 Check only if there is NO Interested Party.

6 AFFIDAVIT



swear, or affirm, under penalty of perjury, that the above disclosure is true and correct.

[Handwritten Signature]

Signature of authorized agent of contracting business entity

AFFIX NOTARY STAMP / SEAL ABOVE

Sworn to and subscribed before me, by the said Oscar Cuellar, this the 16th day of Sept., 2016, to certify which, witness my hand and seal of office.

[Handwritten Signature]
Signature of officer administering oath

Martina I. Carrisalez
Printed name of officer administering oath

Bookkeeper
Title of officer administering oath