



Houston Corporate Headquarters
 1515 W. 13th Street
 Deer Park TX 77536 USA
 Phone: 281.479.9700
 Toll Free: 800.833.0247

Sold To: 064905

Ship To:

CITY OF MERCEDES
 FIRE DEPARTMENT
 P.O. BOX 837
 ATTN: BECKY PEMELTON
 MERCEDES TX 78570
 USA

CITY OF MERCEDES
 400 SOUTH OHIO
 FIRE DEPARTMENT
 ATTN: CHIEF JAIME GARCIA
 MERCEDES TX 78570

TOMMY URESTE

QUOTATION
 Page: 1 of 1
 Date: 12/21/2017
 Our Reference: 1002980
 Your Reference: SCOTT SIGHT
 Reference Desc: SCOTT SIGHT
 Salesperson: Alexander Barragan
 Estimator: Marshall Foote
 Email: marshall.foote@safetyfire.com
 Revision: 4

ITEM	QTY	PART NUMBER AND DESCRIPTION	ORIGIN	ECCN	SCHEDULE B	UNIT PRICE	UOM	Extension
1	15	201582-02 SCOTT SIGHT FULL KIT W/COMMS MEDIUM 5-STRAP Lead Time 7 Days ARO		EAR99NLR	9020.00.8000	1,426.40	EA	21,396.00

LIST PRICE IS \$1,975.00. PRICING GOOD THROUGH 1/31/2018.

2	1	BUYBOARD-FEE Buyboard Order				0.00	EA	0.00
		Contract # 524-17						

Terms: Net 30

Shipping Terms: Delivered

Prices Firm: 10/31/2016

Ship Via: Best Way

Freight Terms: Prepaid

QUOTE TOTAL
USD 21,396.00



524-17 LINE 8 THERMAL IMAGING EQUIPMENT

Scott Safety Master Price List - Prices Effective February 1, 2017

ITEM	PRODUCT DESCRIPTION	2017 List Price	BuyBoard Discount 8%
8002923	X-380 TIC STD 3 BUTTON	\$13314.50	\$12,249.34
8002926	X380 DESKTOP CHARGER	\$225.00	\$207.00
8002927	X380 FAST ATTACK CHARGER	\$775.00	\$713.00
8002928	X380 HARD CASE-CAMERA FA/DC	\$240.00	\$220.80
8002929	X380 NFPA COMPLIANT BATTERY	\$175.00	\$161.00
8002930	X380 RETRACTABLE LANYARD	\$125.00	\$115.00
8002965	X380 STANDARD BATTERY	\$145.00	\$133.40
8003024	X380N V-01	\$10763.90	\$9,902.79
8003025	X380N V-02	\$10769.50	\$9,907.94
8003026	X380N V-03	\$10030.00	\$9,227.60
8003027	X380N V-04	\$10030.00	\$9,227.60
8003028	X380N V-05	\$10285.00	\$9,462.20
8003029	X380N V-06	\$10285.00	\$9,462.20
8003030	X380N V-07	\$10582.50	\$9,735.90
8003031	X380N V-08	\$10582.50	\$9,735.90
8003032	X380N V-09	\$11630.00	\$10,699.60
8003033	X380N V-10	\$11630.00	\$10,699.60
8003034	X380N V-11	\$11885.00	\$10,934.20
8003035	X380N V-12	\$11885.00	\$10,934.20
8003036	X380N V-13	\$12182.00	\$11,207.44
8003038	X380N V-15	\$12514.00	\$11,512.88
8003039	X380N V-16	\$12514.00	\$11,512.88
8003040	X380 3B V-01	\$9103.50	\$8,375.22
8003041	X380 3B V-02	\$9103.50	\$8,375.22
8003042	X380 3B V-03	\$8330.00	\$7,663.60
8003043	X380 3B V-04	\$8330.00	\$7,663.60
8003044	X380 3B V-05	\$8619.00	\$7,929.48
8003045	X380 3B V-06	\$8619.00	\$7,929.48
8003046	X380 3B V-07	\$8916.50	\$8,203.18
8003047	X380 3B V-08	\$8916.50	\$8,203.18
8003048	X380 3B V-09	\$9930.00	\$9,135.60
8003049	X380 3B V-10	\$9930.00	\$9,135.60
8003050	X380 3B V-11	\$10219.00	\$9,401.48
8003051	X380 3B V-12	\$10219.00	\$9,401.48
8003052	X380 3B V-13	\$10516.00	\$9,674.72
8003053	X380 3B V-14	\$10516.00	\$9,674.72
8003054	X380 3B V-15	\$10848.00	\$9,980.16

8003055	X380 3B V-16		\$10848.00	\$9,980.16
8003056	X380 5B V-01		\$9700.00	\$8,924.00
8003057	X380 5B V-02		\$9700.00	\$8,924.00
8003058	X380 5B V-03		\$8800.00	\$8,096.00
8003059	X380 5B V-04		\$8800.00	\$8,096.00
8003060	X380 5B V-05		\$9130.00	\$8,399.60
8003061	X380 5B V-06		\$9130.00	\$8,399.60
8003062	X380 5B V-07		\$9480.00	\$8,721.60
8003063	X380 5B V-08		\$9480.00	\$8,721.60
8003064	X380 5B V-09		\$10400.00	\$9,568.00
8003065	X380 5B V-10		\$10400.00	\$9,568.00
8003066	X380 5B V-11		\$10730.00	\$9,871.60
8003067	X380 5B V-12		\$10730.00	\$9,871.60
8003068	X380 5B V-13		\$11080.00	\$10,193.60
8003069	X380 5B V-14		\$11080.00	\$10,193.60
8003070	X380 5B V-15		\$11620.00	\$10,690.40
8003071	X380 5B V-16		\$11620.00	\$10,690.40
8003072	X380 HARD SIDED CASE - C & DC		\$175.00	\$161.00
8003433	X380 LCD CABLE		\$17.00	\$15.64
8003434	X380 REAR WINDOW SA 2		\$74.00	\$68.08
8003435	X380 REAR WINDOW SA 4		\$74.00	\$68.08
8003441	X380 FLEX CABLE (SHORT)		\$13.00	\$11.96
201581-01	Scott Sight Full Kit - Small 5 Strap	\$	1,875.00	\$1,725.00
201581-02	Scott Sight Full Kit w/comms - Small 5 Strap	\$	1,975.00	\$1,817.00
201581-11	Scott Sight Full Kit - Small 4 Strap	\$	1,875.00	\$1,725.00
201581-12	Scott Sight Full Kit w/comms - Small 4 Strap	\$	1,975.00	\$1,817.00
201582-01	Scott Sight Full Kit - Medium 5 Strap	\$	1,875.00	\$1,725.00
201582-02	Scott Sight Full Kit w/comms - Medium 5 Strap	\$	1,975.00	\$1,817.00
201582-11	Scott Sight Full Kit - Medium 4 Strap	\$	1,875.00	\$1,725.00
201582-12	Scott Sight Full Kit w/comms - Medium 4 Strap	\$	1,975.00	\$1,817.00
201583-01	Scott Sight Full Kit - Large 5 Strap	\$	1,875.00	\$1,725.00
201583-02	Scott Sight Full Kit w/comms - Large 5 Strap	\$	1,975.00	\$1,817.00
201583-11	Scott Sight Full Kit - Large 4 Strap	\$	1,875.00	\$1,725.00
201583-12	Scott Sight Full Kit w/comms -Large 4 Strap	\$	1,975.00	\$1,817.00
201584-01	Scott Sight Install Kit Small	\$	1,500.00	\$1,380.00
201584-02	Scott Sight Install Kit Small Left Comms	\$	1,600.00	\$1,472.00
201585-01	Scott Sight Install Kit Medium	\$	1,500.00	\$1,380.00
201585-02	Scott Sight Install Kit Medium Left Comms	\$	1,600.00	\$1,472.00
201586-01	Scott Sight Install Kit Large	\$	1,500.00	\$1,380.00
201586-02	Scott Sight Install Kit Large Comms	\$	1,600.00	\$1,472.00

Vendor Contract Information

[Back](#)

Searches:

[Search by Vendor](#)

[Browse Contracts](#)

Search:

- All
- Vendor Discounts Only
- Catalog Pricing Only

Refine Your Search:

Vendors

Dooley Tackaberry, Inc.[X]

Price Range

Show all prices

Category

None Selected

Contract

Public Safety and Firehouse
Supplies and Equipment[X]

[Additional Resources](#)

Vendor Name: Dooley Tackaberry, Inc.

Address: 1515 West 13th Street

Deer Park, TX 77536

Phone Number: (281) 479-9700

Alternate Phone Number: 713-427-3170

Email: knewberry@safetyfire.com

Website: <http://www.safetyfire.com>

Federal ID: 74-0596427

Contact: Kery Newberry

Accepts RFQs: Yes

Minority Owned: No

Women Owned: No

Service-Disabled Veteran Owned: No

EDGAR: Yes

Contract Name: Public Safety and Firehouse Supplies and Equipment

Contract Description: Full line of law enforcement and fire fighting supplies, equipment, & uniforms; firearms; ammunition; riot/body armor; vehicle equipment, light bars, sirens, speakers; thermal imag bike patrol; drug testing; speed enforcement; traffic signal equipment; breathing apparatus detection devices; fire hose/nozzles; fire extinguishers and foam; traffic pre-emption equip portable lighting equipment, service/repair & installation

Contract#: 524-17

Effective Date: 04/01/2017

Expiration Date: 03/31/2020

Payment Terms: Net 30 days

Delivery Days: 120

Shipping Terms: Pre-paid and added to invoice

Freight Terms: FOB Destination

Ship Via: Common Carrier

Region Served: All Texas Regions

States Served: Louisiana, Oklahoma, Tennessee, Texas

Additional Info: EDGAR Vendor Certification Form (relating to 2 CFR Part 200 & Appendix II) is included in Vendor response document, and can be found in the Vendor Proposal File link near the bottom of the page.

Quote Reference Number: 524-17

Return Policy: Manufacturer's restocking charges would apply for items not normally stocked, custom items are non-returnable

Contract Documents

EDGAR Notice: [Click to view EDGAR Notice](#)

Proposal Documents: [Click to view BuyBoard Proposal Documents](#)

Regulatory Notice: [Click to view Bonding Regulatory Notice](#)

Proposal Files: [Click to view Vendor Proposal Files Documents](#)

SCOTT SIGHT™



SCOTT
SAFETY

SCOTT SIGHT

INNOVATION AT FIRST SIGHT



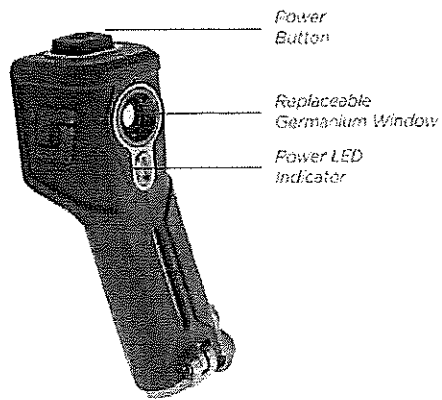
When you wear Scott Sight, you get more than constant thermal vision. You get your hands back. That's because unlike other hand held thermal imaging cameras, Scott Sight combines a camera with a display in the face piece without the need for reaching down and lifting a camera up. Firefighters now have both hands free for effective communication, victim extraction and carrying tools.

FEATURES:

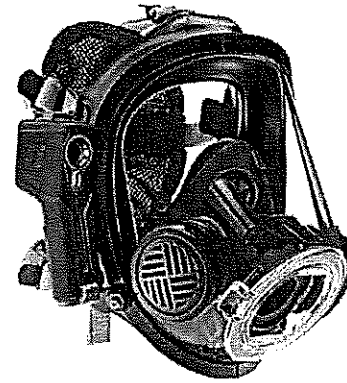
- **NEW! Simultaneous Power Off**
 - Power off both the IMD & TIC by a single button press on the IMD.
- **NEW! IMD instantaneous On**
 - Power the IMD on with a 1 second push on the IMD power button.
- **NEW! Standby Mode**
 - Activate Standby Mode with a single push of the TIC power button.
- **Enhanced situational awareness**
 - Improved hot zone accountability.
- **Powerful and light**
 - At 8 ½ ounces you won't even know it's there.
- **Fits any AV-3000 HT facepiece**
 - Buy altogether as a completed kit or upgrade your current AV-3000 HT facepiece
- **In-mask Display**
 - See a clear image unobstructed by the environment.
- **Adjustable display**
 - Configurable to your line of sight
- **Minimum four-hour battery life**
 - Powered by simple, everyday AAA batteries
- **NIOSH Certified to NFPA 1981, 2013 ed, NIOSH 42CFR Part 84, UL 913 6th ed, ATEX, IECEx and IP 66/67**
- **Scott Sight Mobile Configuration Application**
 - Available for download on IOS or Android
 - Configures IMD to customize brightness, icon layouts, temperature displays and display colors.

Provides baseline, hands-free thermal intelligence

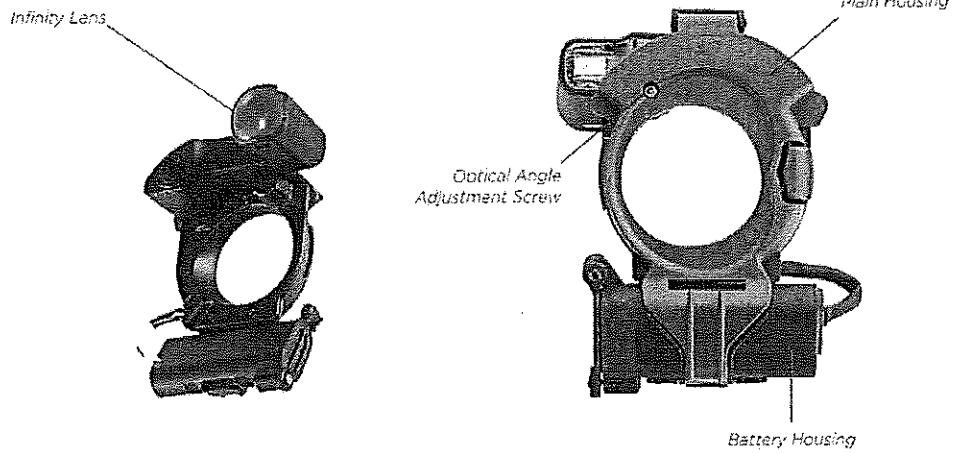
Compatible with AV-3000 HT facepiece

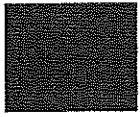


160 x120 Resolution



Provides optimal focus and unobstructed field of view



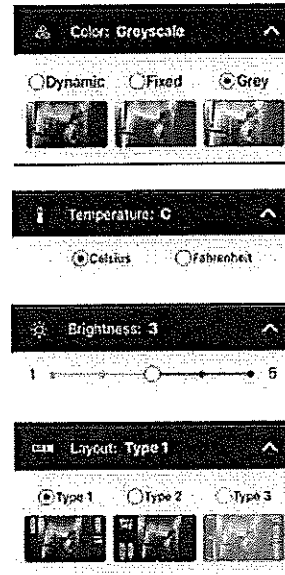
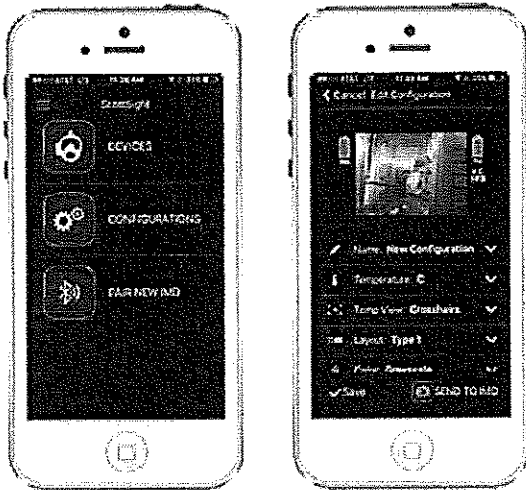


SCOTT SIGHT MOBILE CONFIGURATOR APP

New IOS and Android compatible app.

Allows configuration of IMD Display for:

- °F or °C temperature readout
- Change icon layouts
- Displaying crosshair vs max temp
- Modifying display brightness
- Modifying display colors (grey, fixed or dynamic)



©2017 Scott Safety. SCOTT, the SCOTT SAFETY Logo, Scott Health and Safety are registered and/or unregistered marks of Scott Technologies, Inc. or its affiliates.

Monroe Corporate Center • P.O. Box 569 • Monroe, NC 28111
Telephone: 800.247.7257 • Facsimile: 704.291.8330
www.scottsafety.com • sh-sale@tycointl.com

H/S 7601_EN 4/17 • ISO 9001 Registered. All rights reserved.



CERTIFICATE OF INTERESTED PARTIES

FORM 1295

1 of 1

Complete Nos. 1 - 4 and 6 if there are interested parties.
Complete Nos. 1, 2, 3, 5, and 6 if there are no interested parties.

OFFICE USE ONLY CERTIFICATION OF FILING

Certificate Number:
2017-293057

Date Filed:
12/12/2017

Date Acknowledged:

1 Name of business entity filing form, and the city, state and country of the business entity's place of business.

Dooley Tackaberry Inc.
Deer Park, TX United States

2 Name of governmental entity or state agency that is a party to the contract for which the form is being filed.

City of Mercedes

3 Provide the identification number used by the governmental entity or state agency to track or identify the contract, and provide a description of the services, goods, or other property to be provided under the contract.

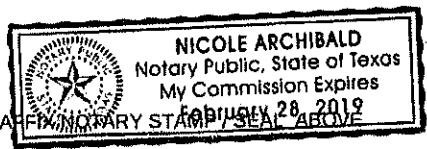
5017-50-0315-5000-5000
Fire Station Equipment

4	Name of Interested Party	City, State, Country (place of business)	Nature of interest (check applicable)	
			Controlling	Intermediary
	Hanson, Jason	Deer Park, TX United States		X
	Gonzalez, Dago	Deer Park, TX United States		X
	Howe, Scott	Deer Park, TX United States		X
	Phillips, Morgan	Deer Park, TX United States		X
	Barragan, Alex	Kyle, TX United States		X
	Dooley, Chris	Deer Park, TX United States	X	
	Dooley, Rhew	Deer Park, TX United States	X	
	Tackaberry, Glenn	Deer Park, TX United States	X	
	Boles, Glenn	Deer Park, TX United States		X

5 Check only if there is NO Interested Party.

6 AFFIDAVIT

I swear, or affirm, under penalty of perjury, that the above disclosure is true and correct.



Morgan Phillips
Signature of authorized agent of contracting business entity

Sworn to and subscribed before me, by the said Morgan Phillips, this the 12 day of December 2017, to certify which, witness my hand and seal of office.

Nicole Archibald
Signature of officer administering oath

Nicole Archibald
Printed name of officer administering oath

Notary
Title of officer administering oath

CERTIFICATE OF INTERESTED PARTIES

FORM 1295

1 of 1

Complete Nos. 1 - 4 and 6 if there are interested parties.
Complete Nos. 1, 2, 3, 5, and 6 if there are no interested parties.

OFFICE USE ONLY CERTIFICATION OF FILING

1 Name of business entity filing form, and the city, state and country of the business entity's place of business.

Dooley Tackaberry Inc.
Deer Park, TX United States

Certificate Number:
2017-293057

Date Filed:
12/12/2017

2 Name of governmental entity or state agency that is a party to the contract for which the form is being filed.

City of Mercedes

Date Acknowledged:
12/27/2017

3 Provide the identification number used by the governmental entity or state agency to track or identify the contract, and provide a description of the services, goods, or other property to be provided under the contract.

5017-50-0315-5000-5000
Fire Station Equipment

4	Name of Interested Party	City, State, Country (place of business)	Nature of interest (check applicable)	
			Controlling	Intermediary
	Hanson, Jason	Deer Park, TX United States		X
	Gonzalez, Dago	Deer Park, TX United States		X
	Howe, Scott	Deer Park, TX United States		X
	Phillips, Morgan	Deer Park, TX United States		X
	Barragan, Alex	Kyle, TX United States		X
	Dooley, Chris	Deer Park, TX United States	X	
	Dooley, Rhew	Deer Park, TX United States	X	
	Tackaberry, Glenn	Deer Park, TX United States	X	
	Boles, Glenn	Deer Park, TX United States		X

5 Check only if there is NO Interested Party.

6 UNSWORN DECLARATION

My name is _____, and my date of birth is _____.

My address is _____, _____, _____, _____, _____.
(street) (city) (state) (zip code) (country)

I declare under penalty of perjury that the foregoing is true and correct.

Executed in _____ County, State of _____, on the _____ day of _____, 20____.
(month) (year)

Signature of authorized agent of contracting business entity
(Declarant)

