



**Hidalgo County
Planning
Department**

T.J. Arredondo, CFM
Director of Planning

Main Office
1304 S. 25th Street
Edinburg, Texas 78542
Phone (956) 318-2840
Fax (956) 318-2844

Engineering Projects Office
902 N. Doolittle Road
Edinburg, Texas 78542
Phone (956) 292-7080
Fax (956) 292-7089

Precinct No. 1 Substation
1902 Joe Stephens Ave.
Weslaco, Texas 78596
Phone (956) 968-4734
Fax (956) 973-7850

Precinct No. 3 Substation
2401 N. Moorefield Road
Mission, Texas 78572
Phone (956) 205-7045
Fax (956) 205-7049

PIPELINE AND UTILITY PERMIT APPLICATION PACKET

THE STATE OF TEXAS

COUNTY OF HIDALGO

PRECINCT 4

**APPLICATION AND AGREEMENT FOR PIPELINE OR
UTILITY PERMIT**

Date: 11/19/2018

AT&T Mobility (hereinafter referred to as "Applicant") does hereby make application to the Hidalgo County through the Hidalgo County Planning Department (hereinafter referred to as "HCPD") to construct, maintain and repair pipelines or utilities across the easements, right-of-ways, property or property interest as described below.

Information required:

1. Name, Address and Phone number of Applicant:
AT&T Mobility 575 Morosgo Dr. NE ATTN: Lease Administration
13F Atlanta, GA 30324 Phone:(877)-231-5447
2. Name, Address and Phone number of company or agency owning Pipeline or Utility (please indicate if same as Applicant):
AT&T Mobility (Same as Applicant)
3. Name, Address and Phone number of operator of Pipeline or Utility (please indicate if same as Applicant):
AT&T Mobility (Same as Applicant)
4. Name, Address and Phone number of contractor to install Pipeline or Utility:
Nexius Solutions
5105 Eisenhower Rd #550, San Antonio, TX 78218 Phone: (972) 581-9888



**Hidalgo County
Planning
Department**

T.J. Arredondo, CFM
Director of Planning

Main Office

1304 S. 25th Street
Edinburg, Texas 78542
Phone (956) 318-2840
Fax (956) 318-2844

Engineering Projects Office

902 N. Doolittle Road
Edinburg, Texas 78542
Phone (956) 292-7080
Fax (956) 292-7089

Precinct No. 1 Substation

1902 Joe Stephens Ave.
Weslaco, Texas 78596
Phone (956) 968-4734
Fax (956) 973-7850

Precinct No. 3 Substation

2401 N. Moorefield Road
Mission, Texas 78572
Phone (956) 205-7045
Fax (956) 205-7049

PIPELINE AND UTILITY PERMIT APPLICATION PACKET

5. Is this a common carrier pipeline or utility? If yes, please submit the Applicant's Texas Railroad Commission Form "T-4" or similar form designating the facility:

Carrier is designated a telephone or telegraph corporation.

6. Does Applicant have the Power of Eminent Domain?
No - Installation is being performed under the statutory authority granted by Texas Senate Bill 1004.

7. Will the product be carried for hire or by the owner of the goods?
Owner

8. Name and Legal description of property owner requesting utility services if applicable:

N/A

9. Type of utility work within county road right-of-way:

Bore Crossing Line Extension Along R.O.W. Other Utility Pole

10. Where is the origin of the line?
Line origin is determined by the proximity of the network nodes corresponding Hub location.

11. Where is the destination of the line?
Line destination is understood to be at the coordinates of the designated network node.



**Hidalgo County
Planning
Department**

T.J. Arredondo, CFM
Director of Planning

Main Office

1304 S. 25th Street
Edinburg, Texas 78542
Phone (956) 318-2840
Fax (956) 318-2844

Engineering Projects Office

902 N. Doolittle Road
Edinburg, Texas 78542
Phone (956) 292-7080
Fax (956) 292-7089

Precinct No. 1 Substation

1902 Joe Stephens Ave.
Weslaco, Texas 78596
Phone (956) 968-4734
Fax (956) 973-7850

Precinct No. 3 Substation

2401 N. Moorefield Road
Mission, Texas 78572
Phone (956) 205-7045
Fax (956) 205-7049

PIPELINE AND UTILITY PERMIT APPLICATION PACKET

12. Utility Crossing Coordinate X: 26.26593 Y: -98.09689
(NAD 83 Texas South FIPS 4205 feet)
13. Number and size of lines:
1
14. Pressure (each line):
N/A
15. Content (each line): WOOD
AT&T proposes to install a new ~~metal light~~ pole with small cell antennas and radios in ROW.
16. Estimated date of installation of Pipeline or Utility:
Installation to be completed at earliest possible date.



Hidalgo County Planning Department

T.J. Arredondo, CFM
Director of Planning

Main Office

1304 S. 25th Street
Edinburg, Texas 78542
Phone (956) 318-2840
Fax (956) 318-2844

Engineering Projects Office

902 N. Doolittle Road
Edinburg, Texas 78542
Phone (956) 292-7080
Fax (956) 292-7089

Precinct No. 1 Substation

1902 Joe Stephens Ave.
Weslaco, Texas 78596
Phone (956) 968-4734
Fax (956) 973-7850

Precinct No. 3 Substation

2401 N. Moorefield Road
Mission, Texas 78572
Phone (956) 205-7045
Fax (956) 205-7049

PIPELINE AND UTILITY PERMIT APPLICATION PACKET

If requested permit is granted by HCPD, Applicant, in consideration thereof, agrees and binds itself as follows:

1. All pipelines or utilities herein will be horizontally placed within the right-of-way as determined by HCPD and at a minimum depth of five (5) feet below natural ground. Depth, horizontal, and vertical location shall be confirmed by HCPD Inspectors.
2. Location map, profile, and plans concerning the proposed pipeline or utility crossing will furnished with this application.
3. HCPD will be notified in writing ten days prior to the beginning date of construction under this permit.
4. Applicant will bear the entire expense of all future relocations of any pipelines or utilities should such relocation, at the sole discretion of the Hidalgo County Commissioners Court, be necessary for improvements, alteration, or maintenance of the Hidalgo County's easement or property of interest.
5. Applicant will notify the HCPD at least 48 hours prior to covering work and or completion of its work and removal of its equipment from the job site to permit HCPD to make an inspection.
6. Upon notification by the HCPD, the Applicant will promptly repair or rectify any deficiency or condition caused by the Applicant's operations or installations under this permit. Applicant will leave easement in as near the same condition or better, in the HCPD's sole judgment, as it existed prior to the commencement of the operations under this permit.
7. Hidalgo County shall not be liable or responsible for, and shall be saved and held harmless by Applicant, and further shall be indemnified by Applicant, from and against any and all suits, actions, losses, damages, claims, or liability of any character, type, or description, including all expenses of litigation, court costs, attorney's fees, and engineering fees for injury or death to any person, or injury to any property, received or sustained by any person or persons or property, arising out of, or occasioned by, directly or indirectly, the performance of Applicant under this agreement, including claims and damages arising in part from the negligence of the Hidalgo County.



Hidalgo County Planning Department

T.J. Arredondo, CFM
Director of Planning

Main Office

1304 S. 25th Street
Edinburg, Texas 78542
Phone (956) 318-2840
Fax (956) 318-2844

Engineering Projects Office

902 N. Doolittle Road
Edinburg, Texas 78542
Phone (956) 292-7080
Fax (956) 292-7089

Precinct No. 1 Substation

1902 Joe Stephens Ave.
Weslaco, Texas 78596
Phone (956) 968-4734
Fax (956) 973-7850

Precinct No. 3 Substation

2401 N. Moorefield Road
Mission, Texas 78572
Phone (956) 205-7045
Fax (956) 205-7049

PIPELINE AND UTILITY PERMIT APPLICATION PACKET

It is the expressed intent of the parties to this agreement that the indemnity provided for in this section is extended by Applicant to indemnify and protect Hidalgo County from the consequences of Hidalgo County's own negligence, whether that negligence is the sole or contributory cause of the resultant injury death, or damage.

Applicant further agrees to defend, at its own expense, with attorneys acceptable to Hidalgo County and on behalf of the Hidalgo County, and in the name of Hidalgo County, any claim or litigation brought against the Hidalgo County in connection with any such injury, death or damage.

Before construction is begun on such pipeline or utility crossings, Applicant will furnish to the HCPD a certificate of insurance (or other security approved by the HCPD) payable to Hidalgo County and protecting Hidalgo County (as an additional named insured) against any claims for personal injuries or damages to property resulting from the operations of Applicant, its agents, servants, employees, and contractors under this permit. Insurance is to be supplied in accordance with the attached Schedule A.

8. Hidalgo County makes no warranties, expressed or implied, in the granting of this permit; nor does Hidalgo County purport to grant any property interest or exclusive privileges whatsoever by granting such permit. It is specifically understood that Hidalgo County is not the agent for, nor does it act for, the fee owners or any persons or entities having any right, or title to possession of the land upon which the Hidalgo County's easement or other property interest is located. Furthermore, in granting this permit Hidalgo County makes no representation or warranty that it has any property interest, including, but not limited to, an easement or right of way, in the land

upon which Applicant constructs, maintains, repairs, or modifies the pipelines or utilities, made the subject of this application, nor does Hidalgo County make any representation or warranty as to the validity, quality or extent of such property interest, if any. Applicant acknowledges its understanding that Hidalgo County in granting this permit, does not convey or grant to Applicant any rights, title or interest for which is has no legal authority to grant or convey.

9. Applicant binds itself to comply with all federal, state, and local laws or regulations and will obtain all necessary permits from all local and federal agencies required by law before installation or construction is begun.



Hidalgo County Planning Department

T.J. Arredondo, CFM
Director of Planning

Main Office

1304 S. 25th Street
Edinburg, Texas 78542
Phone (956) 318-2840
Fax (956) 318-2844

Engineering Projects Office

902 N. Doolittle Road
Edinburg, Texas 78542
Phone (956) 292-7080
Fax (956) 292-7089

Precinct No. 1 Substation

1902 Joe Stephens Ave.
Weslaco, Texas 78596
Phone (956) 968-4734
Fax (956) 973-7850

Precinct No. 3 Substation

2401 N. Moorefield Road
Mission, Texas 78572
Phone (956) 205-7045
Fax (956) 205-7049

PIPELINE AND UTILITY PERMIT APPLICATION PACKET

10. Applicant will install its pipelines and utilities in a manner and location as shown in the plans and specifications filed with HCPD in support of this application for permit. Hidalgo County Planning Department's representative may at any time make such inspection as such engineer or other representation may deem necessary to assure that the construction of the pipeline or utilities is in accordance with the plans and specifications submitted, and said engineer or representative shall have the right to temporarily suspend Applicant's work if necessary, while such inspection is being made. Should Applicant not install the pipelines or utilities in accordance with the terms and conditions of this permit, Applicant agrees that the Hidalgo County shall have the right to require, at Applicant's expense, the removal of the pipelines and utilities and its replacement in conformance to said plans and specifications and conditions of this permit. Hidalgo County may revoke this permit and suspend all work hereunder if it is determined by Hidalgo County that the pipelines or utilities are not being installed in accordance with such plans and specifications and conditions of this permit. The suspension or revocation of this permit shall not be a basis for a claim for damages against Hidalgo County.
11. Except in emergency situations where it is necessary to protect life and property, Applicant will not make any change, modification, or alteration in or to the pipelines or utilities without first securing a new or amended permit from Hidalgo County prior to the making of any such change. Applicant will maintain the pipelines or utilities hereby authorized in good and safe condition, and in accordance with plans, specifications, and this permit.
12. Applicant agrees to pay HCPD a permit fee to cover administrative costs in the amount of **\$500.00**, plus a reimbursement to HCPD for any necessary engineering fees which may be incurred for the study and processing of the Application. This fee will permit a single pipeline or utility to be within County right-of-way. Applicant further agrees to pay an additional fee of **\$500.00** for each additional line included in permit application at the same location; however, more than one location may be included in a single application.

Requests to lay additional line or lines, not included in an initial permit application, must be made by separate application, with new permit fees paid accordingly and support data provided.



Hidalgo County Planning Department

T.J. Arredondo, CFM
Director of Planning

Main Office

1304 S. 25th Street
Edinburg, Texas 78542
Phone (956) 318-2840
Fax (956) 318-2844

Engineering Projects Office

902 N. Doolittle Road
Edinburg, Texas 78542
Phone (956) 292-7080
Fax (956) 292-7089

Precinct No. 1 Substation

1902 Joe Stephens Ave.
Weslaco, Texas 78596
Phone (956) 968-4734
Fax (956) 973-7850

Precinct No. 3 Substation

2401 N. Moorefield Road
Mission, Texas 78572
Phone (956) 205-7045
Fax (956) 205-7049

PIPELINE AND UTILITY PERMIT APPLICATION PACKET

Permit fees may be waived where Applicant is a state, county, municipality, or a special political subdivision.

13. The Applicant is allowed one hundred twenty days (120) from the granting of the permit to start construction of the pipelines or utilities crossings. Once started, the Applicant is allowed ninety (90) days to complete all work under such permit. All construction must be completed within two hundred ten (210) days from the date of issuance of permit. Upon application, extension of the time periods set forth in this paragraph may be granted by the Hidalgo County Commissioners Court. Such applications for extension must be received by HCPD at least thirty days before the expiration of the two hundred ten (210) days period. A new permit fee, in accordance with Paragraph 12 hereof, will be charged for each extension granted.

Construction of any pipeline or utility crossing will not begin until written approval has been given by HCPD.

14. All provisions of the Pipeline and Utility Permit Administration Policy of Hidalgo County, if any, and all amendments thereto, are hereby incorporated herein as part of the terms and conditions of this permit for all purposes.
15. Applicant warrants and represents that it has secured from all fee owners of the involved property an easement or other property rights to construct, repair or modify the pipeline or utility in the manner set forth herein.
16. This Pipeline and Utility Permit if granted by Hidalgo County is subject to any and all other requirements, specifications and conditions listed in Exhibit A attached hereto.
17. Hidalgo County requires all coordinates of all utility crossings. Horizontal datum to be in NAD 83 State Plane Texas South 4205 feet and vertical datum in NAVD 88 Geoid 12a.



**Hidalgo County
Planning
Department**

T.J. Arredondo, CFM
Director of Planning

Main Office

1304 S. 25th Street
Edinburg, Texas 78542
Phone (956) 318-2840
Fax (956) 318-2844

Engineering Projects Office

902 N. Doolittle Road
Edinburg, Texas 78542
Phone (956) 292-7080
Fax (956) 292-7089

Precinct No. 1 Substation

1902 Joe Stephens Ave.
Weslaco, Texas 78596
Phone (956) 968-4734
Fax (956) 973-7850

Precinct No. 3 Substation

2401 N. Moorefield Road
Mission, Texas 78572
Phone (956) 205-7045
Fax (956) 205-7049

PIPELINE AND UTILITY PERMIT APPLICATION PACKET

18. This permit constitutes the entire agreement between the parties with regard to the subject matter hereof, and all prior agreements, representations, and negotiations between the parties regarding the subject matter are hereby superseded. This permit shall not be altered or amended except by an agreement in writing executed by the parties hereto.

19. Applicant warrants and represents that its undersigned representative has full authority to bind Applicant to the terms and conditions of the foregoing Application and Agreement for Pipeline or Utility Permit.

DATED this 19th day of November, 2018.

Michael Grace

(Name of Applicant – Printed or Typed)

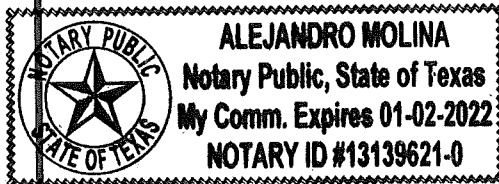
By: *Michael Grace*

Signature

Title: Site Acquisition Specialist

STATE OF TEXAS
COUNTY OF HIDALGO

SUBSCRIBED AND SWORN TO before me the Applicant,
MICHAEL GRACE, on this 19 day of Nov, 2018,
to which witness my hand and seal of office.



[Signature]
Notary Public for the State of Texas

My Commission Expires: 1/2/2022



**Hidalgo County
Planning
Department**

T.J. Arredondo, CFM
Director of Planning

Main Office

1304 S. 25th Street
Edinburg, Texas 78542
Phone (956) 318-2840
Fax (956) 318-2844

Engineering Projects Office

902 N. Doolittle Road
Edinburg, Texas 78542
Phone (956) 292-7080
Fax (956) 292-7089

Precinct No. 1 Substation

1902 Joe Stephens Ave.
Weslaco, Texas 78596
Phone (956) 968-4734
Fax (956) 973-7850

Precinct No. 3 Substation

2401 N. Moorefield Road
Mission, Texas 78572
Phone (956) 205-7045
Fax (956) 205-7049

PIPELINE AND UTILITY PERMIT APPLICATION PACKET

**APPROVAL OF APPLICATION BY
HIDALGO COUNTY PLANNING DEPARTMENT**

Came on for consideration this _____ day of _____,
20____. The above and foregoing Application for Pipeline and Utility
Permit, and after consideration of the same by the Hidalgo County
Commissioners Court, said Application and Agreement for Pipeline or
Utility Permit is hereby APPROVED.

HIDALGO COUNTY:

Ramon Garcia, County Judge



PIPELINE AND UTILITY PERMIT APPLICATION PACKET

EXHIBIT A

(Please insert description of project location and supporting documents for proposed utility work)

Hidalgo County Planning Department

T.J. Arredondo, CFM
Director of Planning

Main Office

1304 S. 25th Street
Edinburg, Texas 78542
Phone (956) 318-2840
Fax (956) 318-2844

Engineering Projects Office

902 N. Doolittle Road
Edinburg, Texas 78542
Phone (956) 292-7080
Fax (956) 292-7089

Precinct No. 1 Substation

1902 Joe Stephens Ave.
Weslaco, Texas 78596
Phone (956) 968-4734
Fax (956) 973-7850

Precinct No. 3 Substation

2401 N. Moorefield Road
Mission, Texas 78572
Phone (956) 205-7045
Fax (956) 205-7049

Spades Ave

Gibson Dr

Loda St

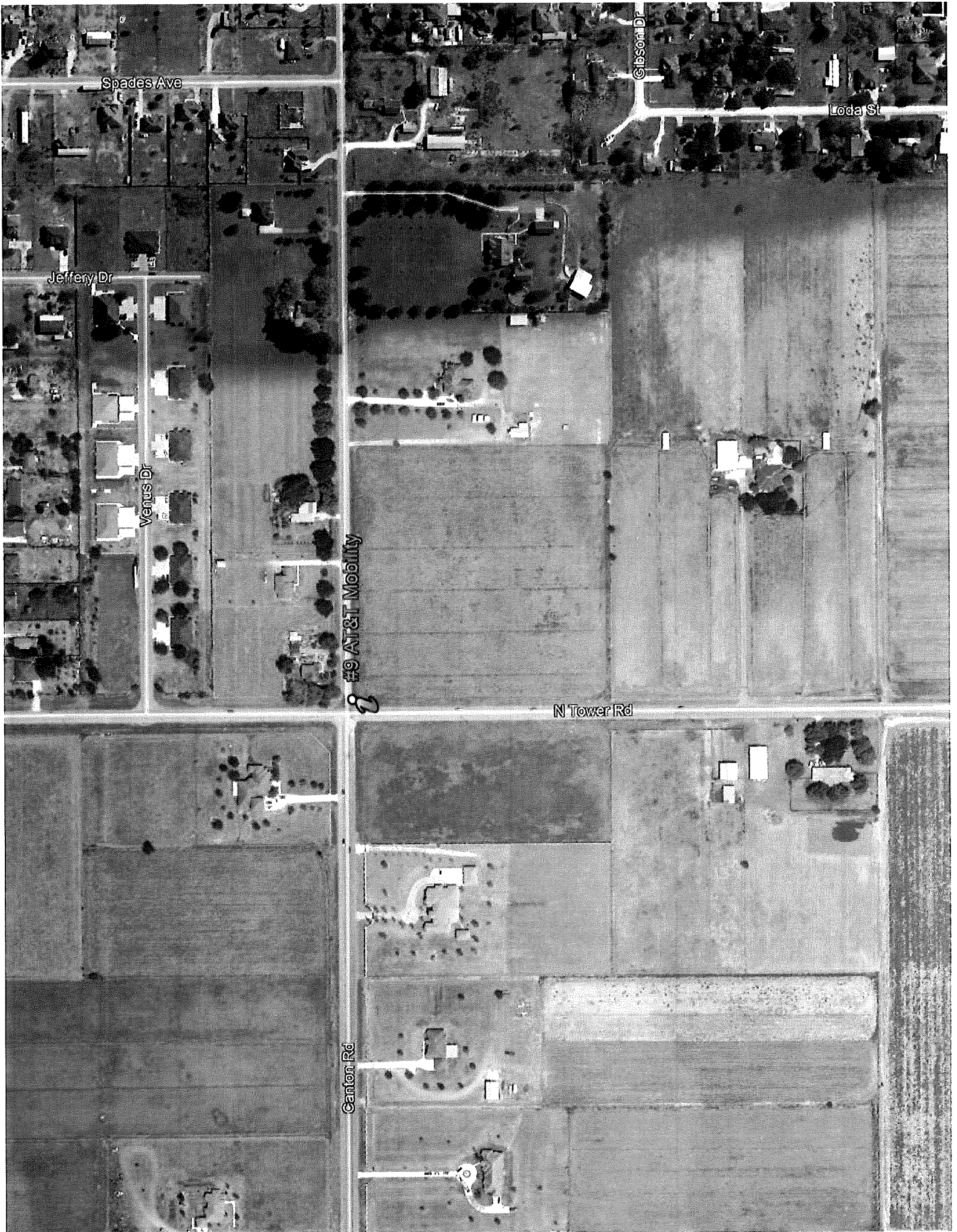
Jeffery Dr

Venus Dr

#9 AT&T Mobility

N Tower Rd

Canton Rd





at&t

2017 LTE 1C PICO CELL BUILD

SITE NAME:

SX6745_R03

SITE NUMBER:

SX6745_R03

STRUCTURE TYPE:

WOODEN POLE

HUB SITE:

EDINBURG CENTRAL OFFICE

PREPARED FOR:



AT&T MOBILITY
1801 VALLEY VIEW LANE
FARMERS BRANCH, TX 75234



4520 TEJASCO DRIVE
SAN ANTONIO, TX 78218

SITE NAME:

SX6745_R03

SITE NUMBER:
SX6745_R03

SITE ADDRESS:
3105 N TOWER RD
EDINBURG, TX 78516
HIDALGO COUNTY

10/19/2017



19315 FM 2252, STE. 301 PH: (210) 542-5911
GARDEN RIDGE, TX 78266 F-13646

DRAWN BY: WS
APPROVED BY: TH
DATE DRAWN: 10/05/17

REVISION			
NO	DESCRIPTION	BY	DATE
0	ISSUED FOR CONSTRUCTION	WS	10/05/17

AT&T REAL ESTATE	DATE
AT&T RF ENGINEERING	DATE
AT&T CONSTRUCTION MANAGER	DATE
AT&T OPERATIONS	DATE
CONSTRUCTION MANAGER	DATE
PROPERTY OWNER	DATE
CONTRACTOR	DATE

SHEET TITLE:
COVER SHEET

SHEET NUMBER:
T1.0

SHEET INDEX

T1.0	COVER SHEET
	SITE SURVEY (BY OTHERS)
A1.0	ENLARGED EQUIPMENT PLAN & ELEVATION
A2.0	EQUIPMENT DETAILS
A3.0	NODE ASSIGNMENT LAYOUTS & LABELING
G1.0	UTILITY POLE GROUNDING DETAILS
G2.0	GROUNDING DETAILS

NOTE: DRAWING SCALES ARE FOR 22"X34" SHEETS UNLESS OTHERWISE NOTED.

APPROVALS

AT&T REAL ESTATE	DATE
AT&T RF ENGINEERING	DATE
AT&T CONSTRUCTION MANAGER	DATE
AT&T OPERATIONS	DATE
CONSTRUCTION MANAGER	DATE
PROPERTY OWNER	DATE
CONTRACTOR	DATE

THE ABOVE PARTIES HEREBY APPROVE AND ACCEPT THESE DOCUMENTS AND AUTHORIZE CONTRACTOR TO PROCEED WITH THE CONSTRUCTION DESCRIBED HEREIN. ALL DOCUMENTS ARE SUBJECT TO REVIEW BY THE LOCAL BUILDING DEPARTMENT AND MAY IMPOSE CHANGES OR MODIFICATIONS.

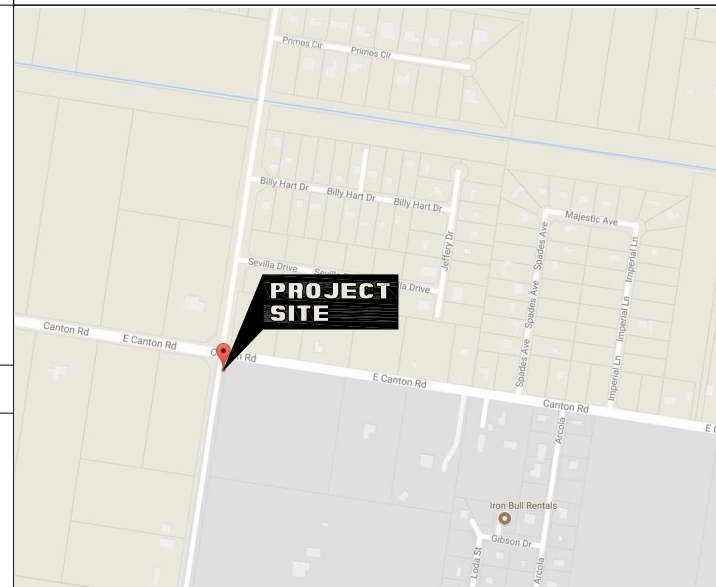
PROJECT INFORMATION

SITE NAME: SX6745_R03
SITE NUMBER: SX6745_R03
911 ADDRESS: 3105 N TOWER RD
EDINBURG, TX 78516
LATITUDE: 26°15'57.333" (26.26593°)
LONGITUDE: -98°05'48.815" (-98.09689°)
GROUND ELEVATION: 87.8' AMSL
JURISDICTION: CITY OF EDINBURG

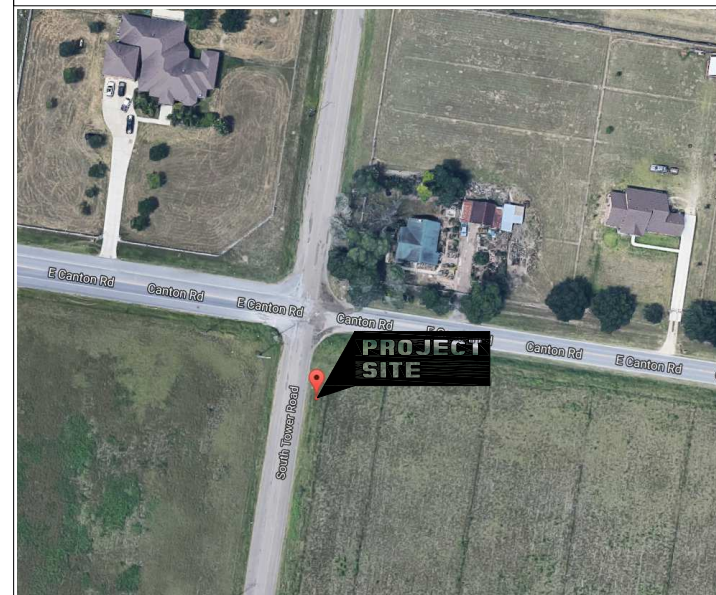
DRIVING DIRECTIONS

DEPART MCALLEN INTERNATIONAL AIRPORT :
DEPART S BICENTENIAL BLVD TOWARD WICHITA AVE.
TURN RIGHT ONTO WICHITA AVE. TURN LEFT ONTO
TX-336 / S 10TH ST. TURN RIGHT ONTO US-83 E
/ E FRONTAGE RD. TAKE RAMP LEFT AND FOLLOW
SIGNS FOR I-2 EAST / US-83 EAST. TAKE RAMP
RIGHT FOR US-83 E / E FRONTAGE RD TOWARD
ALAMO RD. TURN RIGHT ONTO E CANTON RD. TURN
RIGHT ONTO S TOWER RD. ARRIVE AT S TOWER RD

VICINITY MAP



AERIAL MAP



SITE ACCESS PROCEDURES

SCOPE OF WORK

THE WIRELESS COMMUNICATIONS FACILITY IS NOT INTENDED FOR HUMAN OCCUPANCY

1. INSTALLATION OF (5) RRUS-2203
2. INSTALLATION OF (2) TWIN DIPLEXERS
3. INSTALLATION OF (1) OMNI ANTENNA

CONTACTS

APPLICANT:

AT&T MOBILITY
1801 VALLEY VIEW LANE
FARMERS BRANCH, TX 75234

PROPERTY OWNER:

CITY OF EDINBURG

PROJECT MANAGER:

NEXIUS
4520 TEJASCO DRIVE
SAN ANTONIO, TX 78218
CONTACT: JENNIE HUGHES
SITE ACQUISITION SPECIALIST
PHONE: 830-660-9991
EMAIL: jennie.hughes@nexius.com

ARCHITECT/ENGINEER:

LEVEL 5 CONSULTING ENGINEERS
19315 FM 2252, SUITE 301
GARDEN RIDGE, TX 78266
CONTACT: DAVID HILDEBRANDT
PHONE: 210-542-5911

TELEPHONE COMPANY:

AT&T
PHONE: 1-800-288-2020

POWER COMPANY:

APPLICABLE CODES & STANDARDS

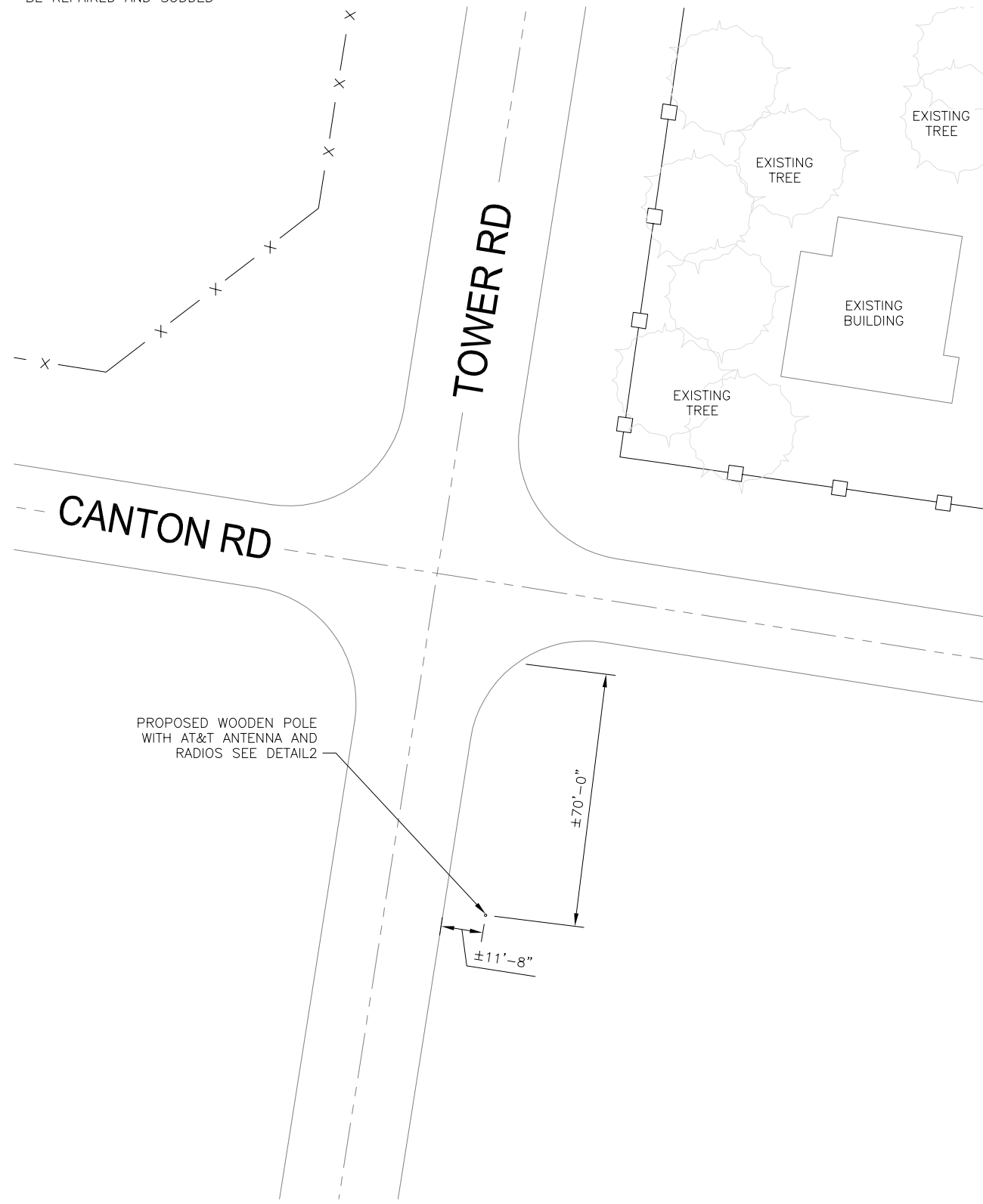
- INTERNATIONAL BUILDING CODE, 2006 EDITION AS ADOPTED BY LOCAL JURISDICTION.
- NATIONAL ELECTRICAL CODE, 2005 EDITION AS ADOPTED BY LOCAL JURISDICTION.
- INTERNATIONAL MECHANICAL CODE, 2006 EDITION AS ADOPTED BY LOCAL JURISDICTION.
- INTERNATIONAL ENERGY CONSERVATION CODE, 2006 EDITION AS ADOPTED BY LOCAL JURISDICTION



THESE DOCUMENTS ARE CONFIDENTIAL AND ARE THE SOLE PROPERTY OF AT&T AND MAY NOT BE REPRODUCED, DISSEMINATED OR REDISTRIBUTED WITHOUT THE EXPRESS WRITTEN CONSENT OF AT&T.

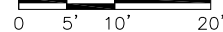
NOTE:

- THIS SITE PLAN WAS GENERATED WITHOUT THE USE OF A SURVEY. PROPERTY LINES, RIGHT OF WAY LINES, POWER & TELCO UTILITY POINT CONNECTIONS/ROUTES AND EASEMENTS SHOWN ON THESE PLANS ARE ESTIMATED. ALL ITEMS AND DIMENSIONS SHOULD BE VERIFIED IN THE FIELD.
- ALL DISTURBED AREAS OF THE RIGHT OF WAY ARE TO BE REPAIRED AND SODDED



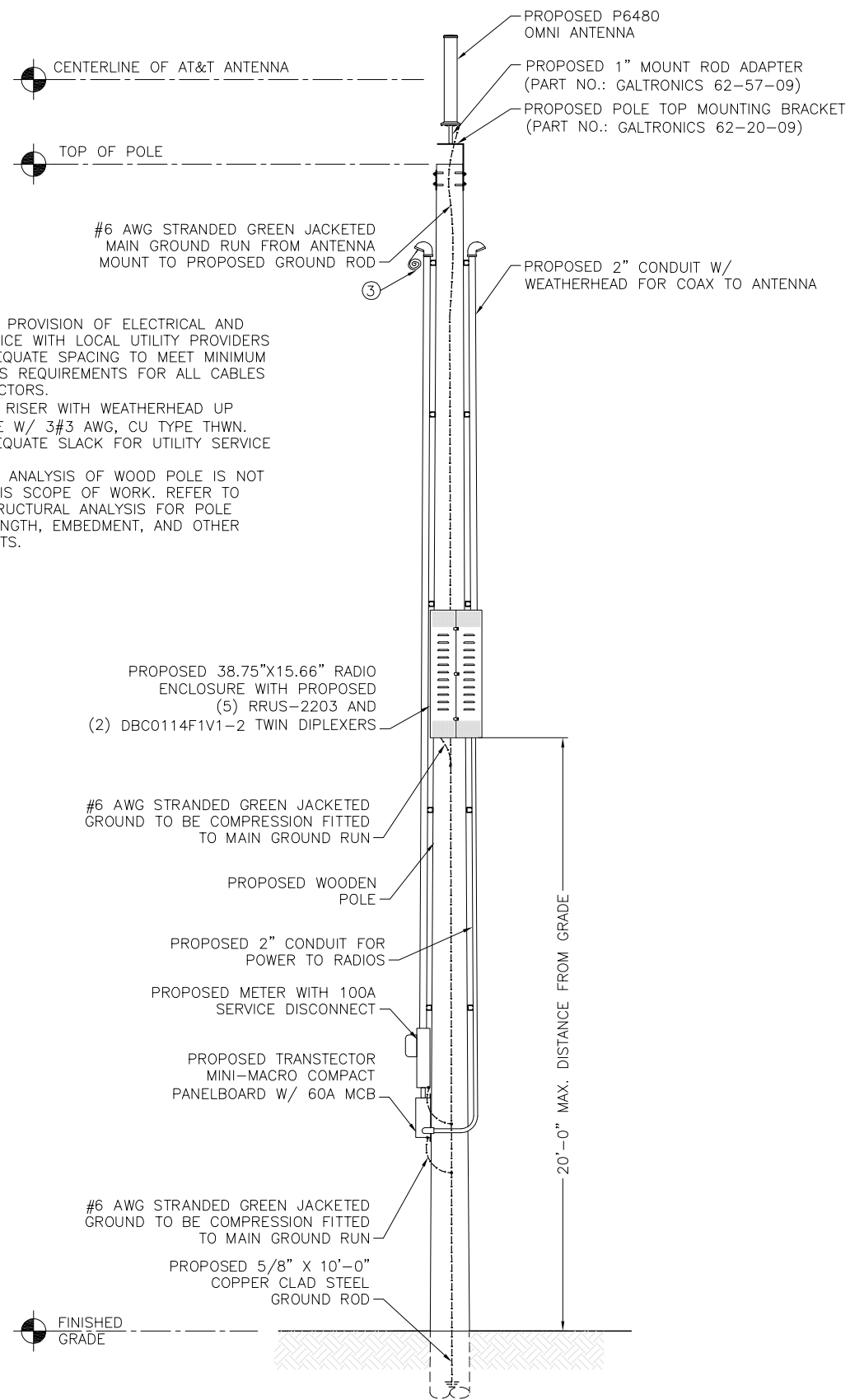
1 ENLARGED SITE PLAN

FULL SIZE PLOT SCALE: 1" = 10'
 HALF SIZE PLOT SCALE: 1" = 20'



NOTE:

- COORDINATE PROVISION OF ELECTRICAL AND TELCO SERVICE WITH LOCAL UTILITY PROVIDERS
- ENSURE ADEQUATE SPACING TO MEET MINIMUM BEND RADIUS REQUIREMENTS FOR ALL CABLES AND CONNECTORS.
- 2" CONDUIT RISER WITH WEATHERHEAD UP UTILITY POLE W/ 3#3 AWG, CU TYPE THWN. ENSURE ADEQUATE SLACK FOR UTILITY SERVICE TAP
- STRUCTURAL ANALYSIS OF WOOD POLE IS NOT PART OF THIS SCOPE OF WORK. REFER TO PASSING STRUCTURAL ANALYSIS FOR POLE SPECIES, LENGTH, EMBEDMENT, AND OTHER REQUIREMENTS.



2 ELEVATION

SCALE: N.T.S.

PREPARED FOR:



AT&T MOBILITY
 1801 VALLEY VIEW LANE
 FARMERS BRANCH, TX 75234



4520 TEJASCO DRIVE
 SAN ANTONIO, TX 78218

SITE NAME:

SX6745_R03

SITE NUMBER:
SX6745_R03

SITE ADDRESS:
 3105 N TOWER RD
 EDINBURG, TX 78516
 HIDALGO COUNTY

10/19/2017



19315 FM 2252, STE. 301 PH: (210) 542-5911
 GARDEN RIDGE, TX 78266 F-13646

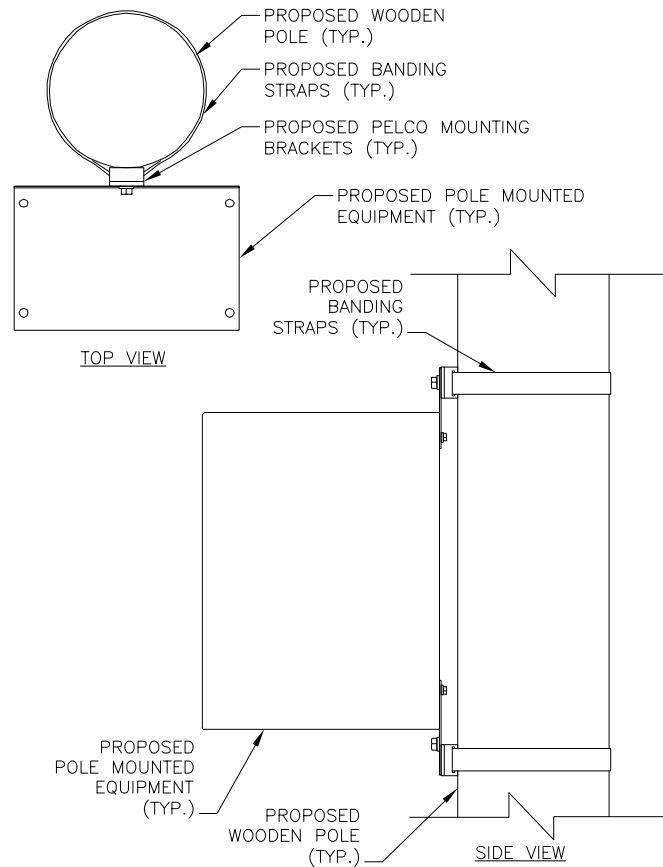
DRAWN BY:	WS
APPROVED BY:	TH
DATE DRAWN:	10/05/17

REVISION			
NO	DESCRIPTION	BY	DATE
0	ISSUED FOR CONSTRUCTION	WS	10/05/17

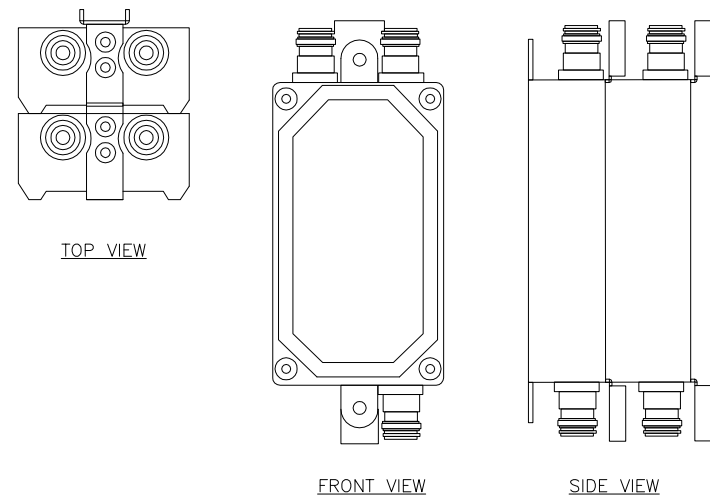
SHEET TITLE:
**ENLARGED EQUIPMENT
 PLAN & ELEVATION**

SHEET NUMBER:
A1.0

THESE DOCUMENTS ARE CONFIDENTIAL AND ARE THE SOLE PROPERTY OF AT&T AND MAY NOT BE REPRODUCED, DISSEMINATED OR REDISTRIBUTED WITHOUT THE EXPRESS WRITTEN CONSENT OF AT&T.

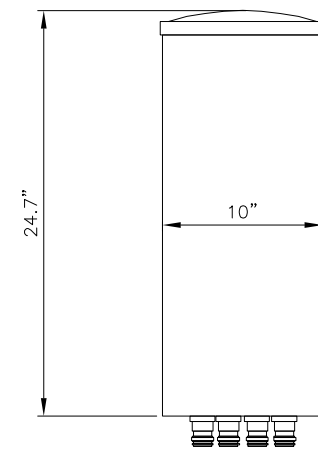


1 EQUIPMENT BANDING STRAP CONNECTION
SCALE: N.T.S.



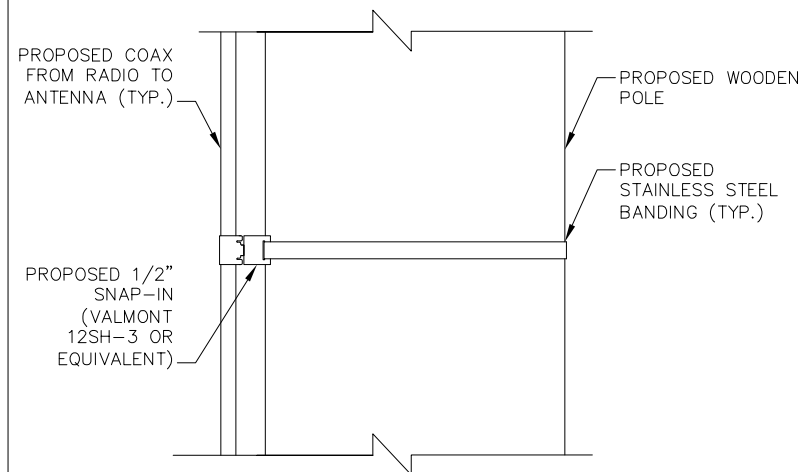
MANUFACTURER: KALUS
MODEL: DBC0114F1V1-2
DIMENSION: 6.3" X 3.56" X 3.58"

2 DBC0114F1V1-2 DETAIL
SCALE: N.T.S.



MANUFACTURER: GALTRONICS
MODEL: P6480

3 P6480 DETAIL
SCALE: N.T.S.



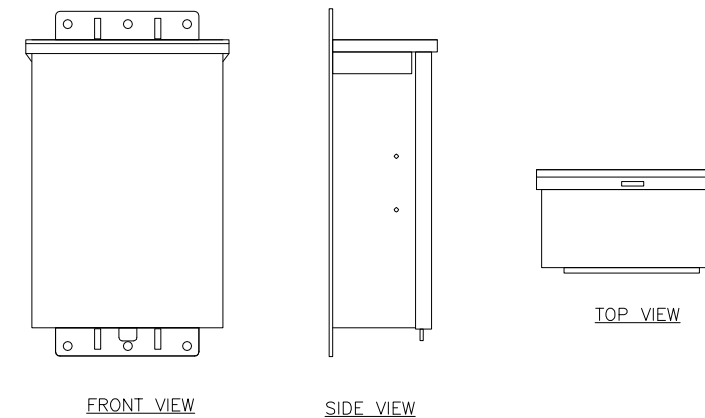
NOTE:
SPACE SNAP-INS PER CABLE
MANUFACTURER'S SPECIFICATIONS.

4 EQUIPMENT BANDING STRAP CONNECTION
SCALE: N.T.S.



MANUFACTURER: ERICSSON
MODEL: RRUS-2203
DIMENSION: 8" X 8" X 4"
WEIGHT: 9.92 LBS

5 RRU-2203 DETAIL
SCALE: N.T.S.



MANUFACTURER: TRANSECTOR
MODEL: SC-MM08-5512
DIMENSION: 12" X 8" X 4"
WEIGHT: 15 LBS

6 AC PANEL DETAIL
SCALE: N.T.S.

PREPARED FOR:



AT&T MOBILITY
1801 VALLEY VIEW LANE
FARMERS BRANCH, TX 75234



4520 TEJASCO DRIVE
SAN ANTONIO, TX 78218

SITE NAME:

SX6745_R03

SITE NUMBER:
SX6745_R03

SITE ADDRESS:
3105 N TOWER RD
EDINBURG, TX 78516
HIDALGO COUNTY

10/19/2017



19315 FM 2252, STE. 301 PH: (210) 542-5911
GARDEN RIDGE, TX 78266 F-13646

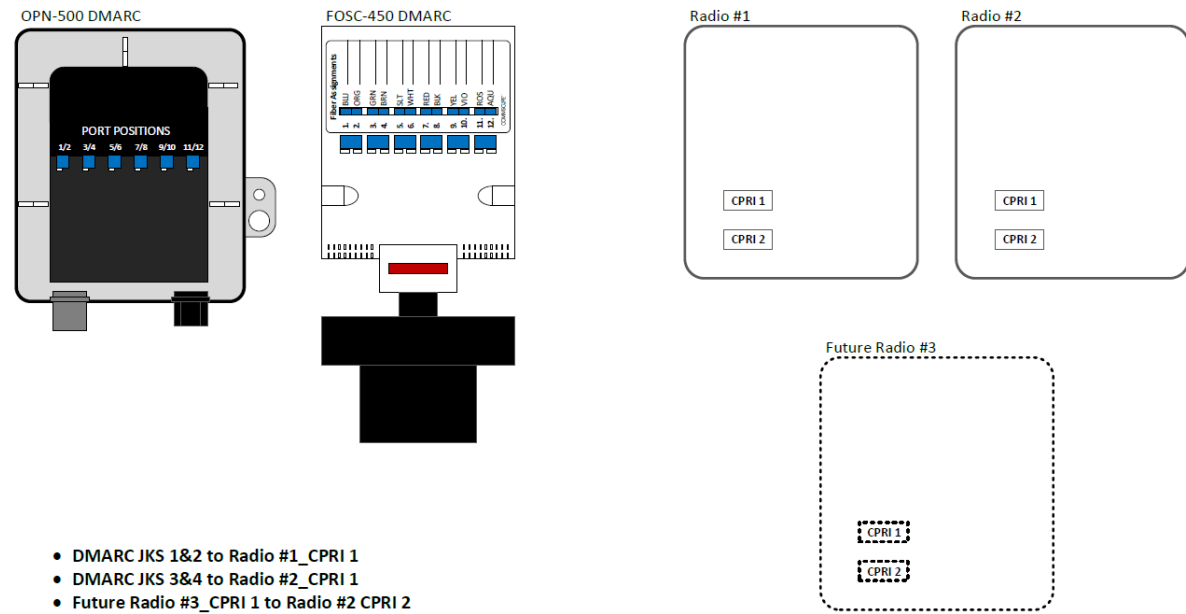
DRAWN BY:	WS
APPROVED BY:	TH
DATE DRAWN:	10/05/17

REVISION			
NO	DESCRIPTION	BY	DATE
0	ISSUED FOR CONSTRUCTION	WS	10/05/17

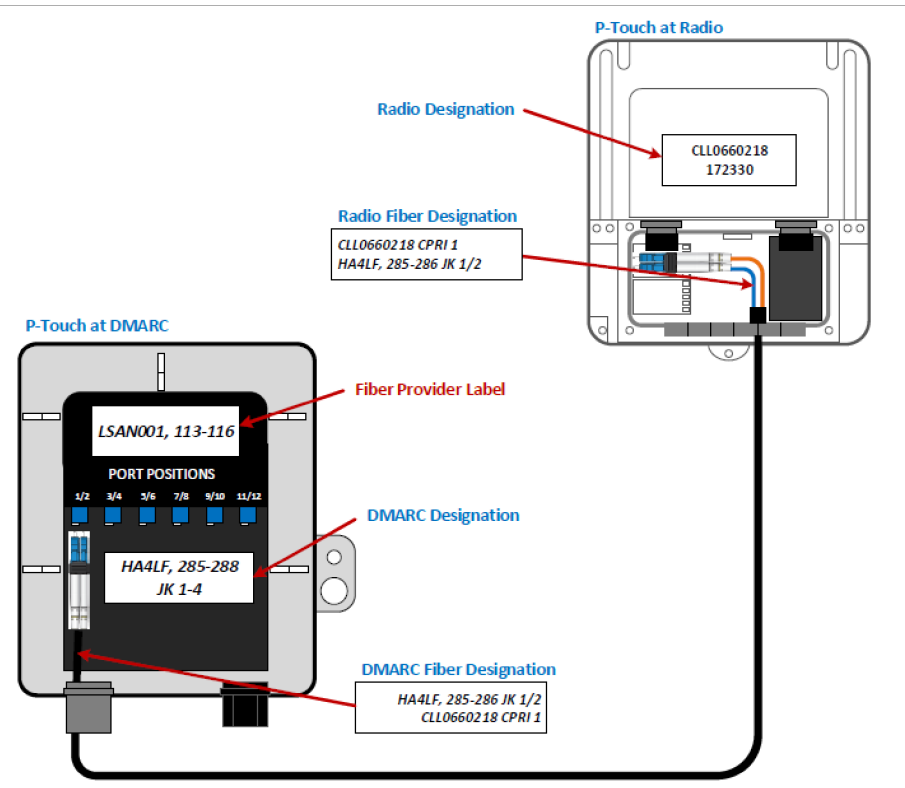
SHEET TITLE:
**EQUIPMENT
DETAILS**

SHEET NUMBER:
A2.0

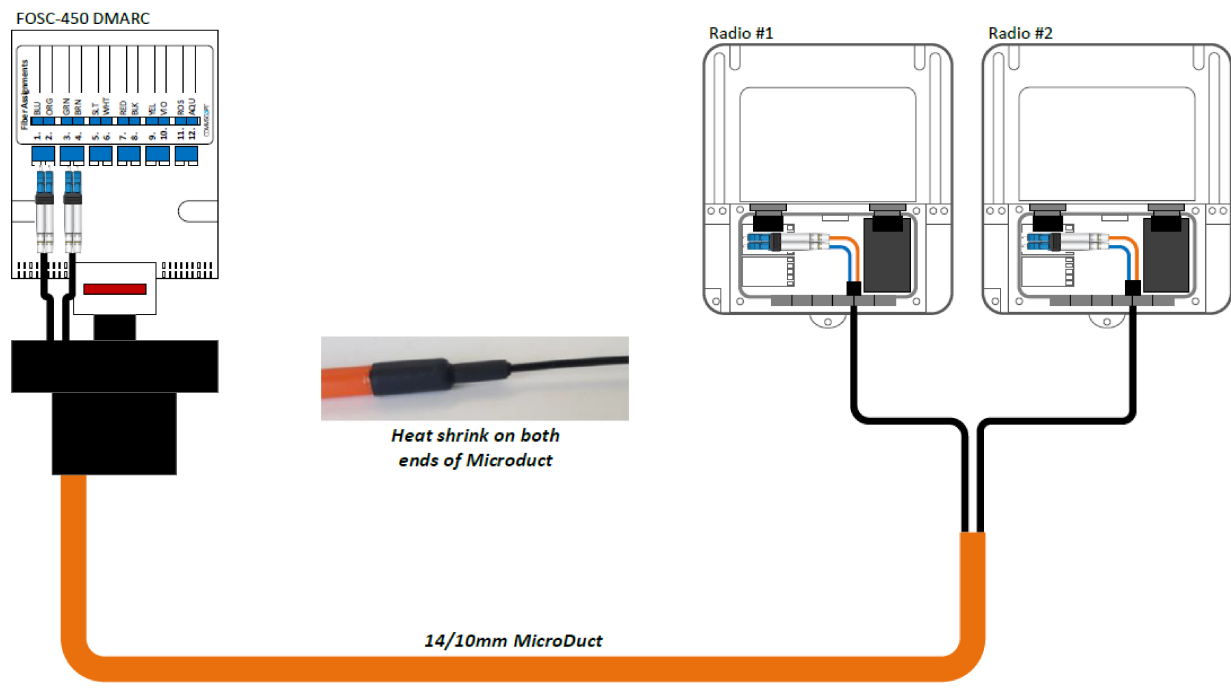
THESE DOCUMENTS ARE CONFIDENTIAL AND ARE THE SOLE PROPERTY OF AT&T AND MAY NOT BE REPRODUCED, DISSEMINATED OR REDISTRIBUTED WITHOUT THE EXPRESS WRITTEN CONSENT OF AT&T.



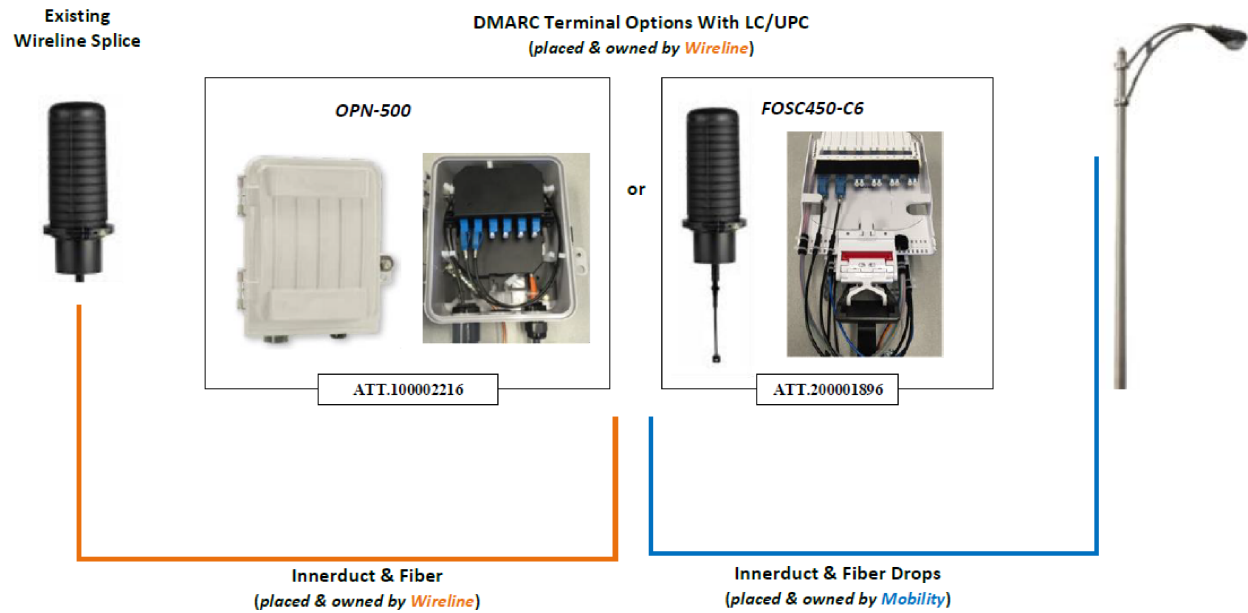
1 CRAN NODE FIBER ASSIGNMENT LAYOUT
SCALE: N.T.S.



2 CRAN NODE LABELING
SCALE: N.T.S.



3 FOSC-450 DMARC TERMINATIONS
SCALE: N.T.S.



4 DFS DMARC
SCALE: N.T.S.

PREPARED FOR:

 AT&T MOBILITY
 1801 VALLEY VIEW LANE
 FARMERS BRANCH, TX 75234

NEXIUS
 4520 TEJASCO DRIVE
 SAN ANTONIO, TX 78218

SITE NAME:
SX6745_R03
 SITE NUMBER:
SX6745_R03
 SITE ADDRESS:
 3105 N TOWER RD
 EDINBURG, TX 78516
 HIDALGO COUNTY

10/19/2017

 ANTHONY L. HUEBEL
 102126
 REGISTERED PROFESSIONAL ENGINEER

LEVEL 5
 CONSULTING ENGINEERS, INC.
 19315 FM 2252, STE. 301 PH: (210) 542-5911
 GARDEN RIDGE, TX 78266 F-13646

DRAWN BY:	WS		
APPROVED BY:	TH		
DATE DRAWN:	10/05/17		
REVISION			
NO	DESCRIPTION	BY	DATE
0	ISSUED FOR CONSTRUCTION	WS	10/05/17

SHEET TITLE:
NODE ASSIGNMENT LAYOUTS & LABELING

SHEET NUMBER:
A3.0

THESE DOCUMENTS ARE CONFIDENTIAL AND ARE THE SOLE PROPERTY OF AT&T AND MAY NOT BE REPRODUCED, DISSEMINATED OR REDISTRIBUTED WITHOUT THE EXPRESS WRITTEN CONSENT OF AT&T.

PREPARED FOR:



AT&T MOBILITY
1801 VALLEY VIEW LANE
FARMERS BRANCH, TX 75234



4520 TEJASCO DRIVE
SAN ANTONIO, TX 78218

SITE NAME:

SX6745_R03

SITE NUMBER:
SX6745_R03

SITE ADDRESS:
3105 N TOWER RD
EDINBURG, TX 78516
HIDALGO COUNTY

10/19/2017



19315 FM 2252, STE. 301 PH: (210) 542-5911
GARDEN RIDGE, TX 78266 F-13646

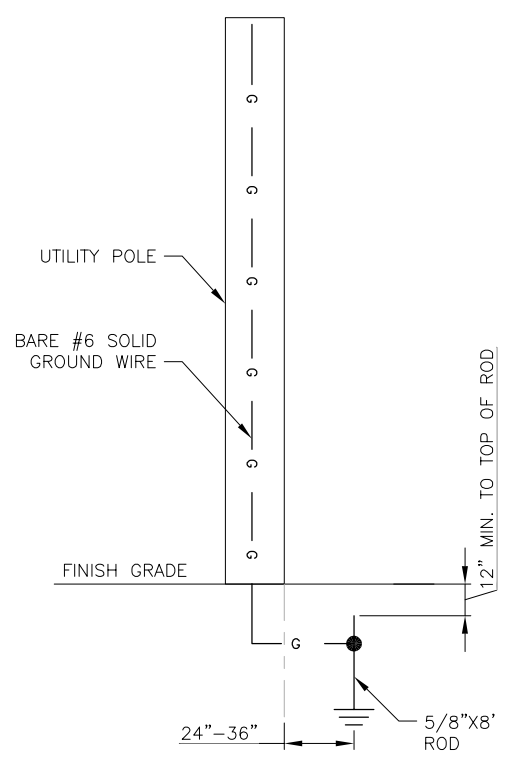
DRAWN BY:	WS
APPROVED BY:	TH
DATE DRAWN:	10/05/17

REVISION			
NO	DESCRIPTION	BY	DATE
0	ISSUED FOR CONSTRUCTION	WS	10/05/17

SHEET TITLE:
**UTILITY POLE
GROUNDING DETAILS**

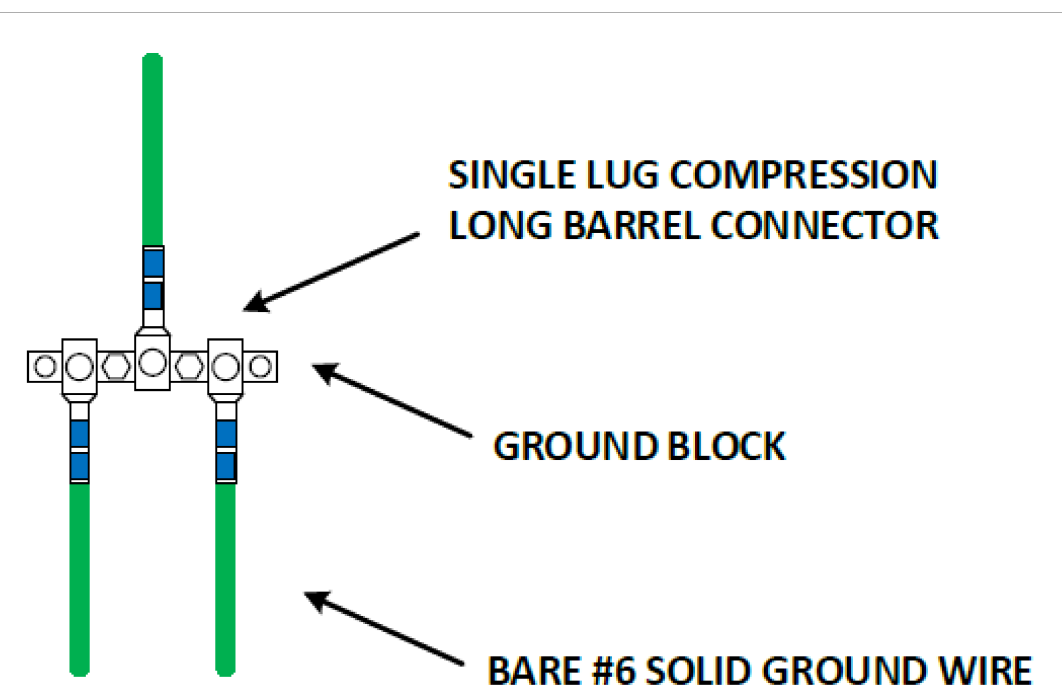
SHEET NUMBER:
G1.0

THESE DOCUMENTS ARE CONFIDENTIAL AND ARE THE SOLE PROPERTY OF AT&T AND MAY NOT BE REPRODUCED, DISSEMINATED OR REDISTRIBUTED WITHOUT THE EXPRESS WRITTEN CONSENT OF AT&T.

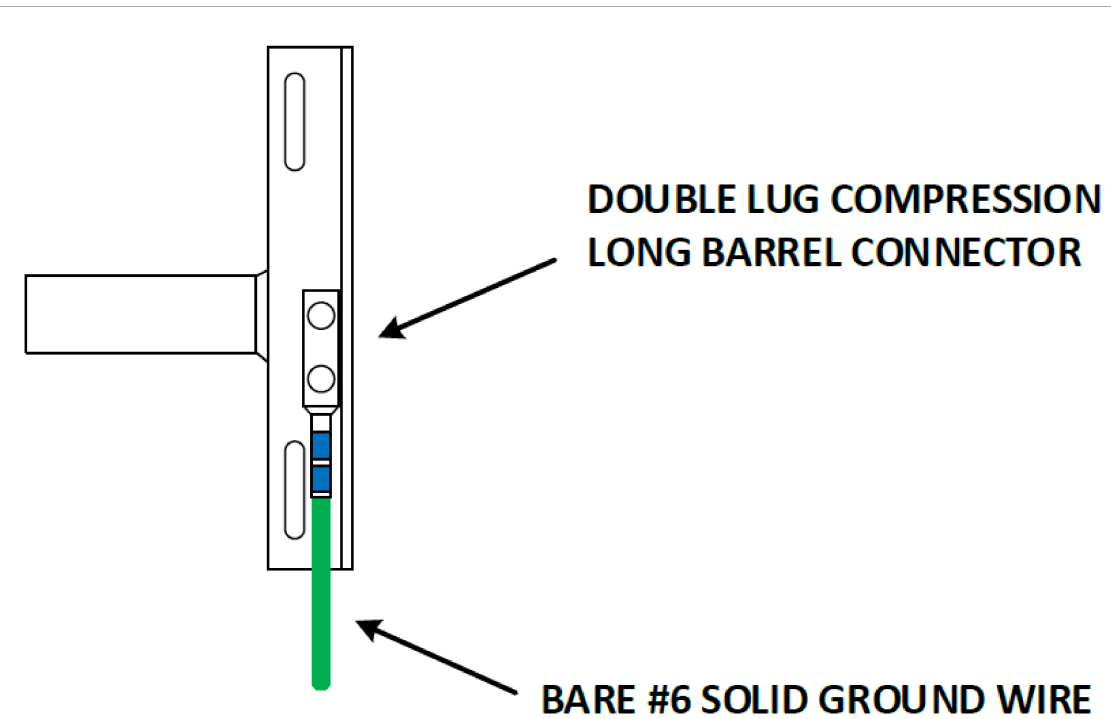


NOTE:
IF A SINGLE GROUND ROD DOES NOT HAVE A RESISTANCE TO GROUND OF 25 OHMS OR LESS, IT SHALL BE SUPPLEMENTED BY AN ADDITIONAL GROUND ROD. SEPARATION BETWEEN GROUND RODS MUST BE AT A MINIMUM DISTANCE OF 6'.

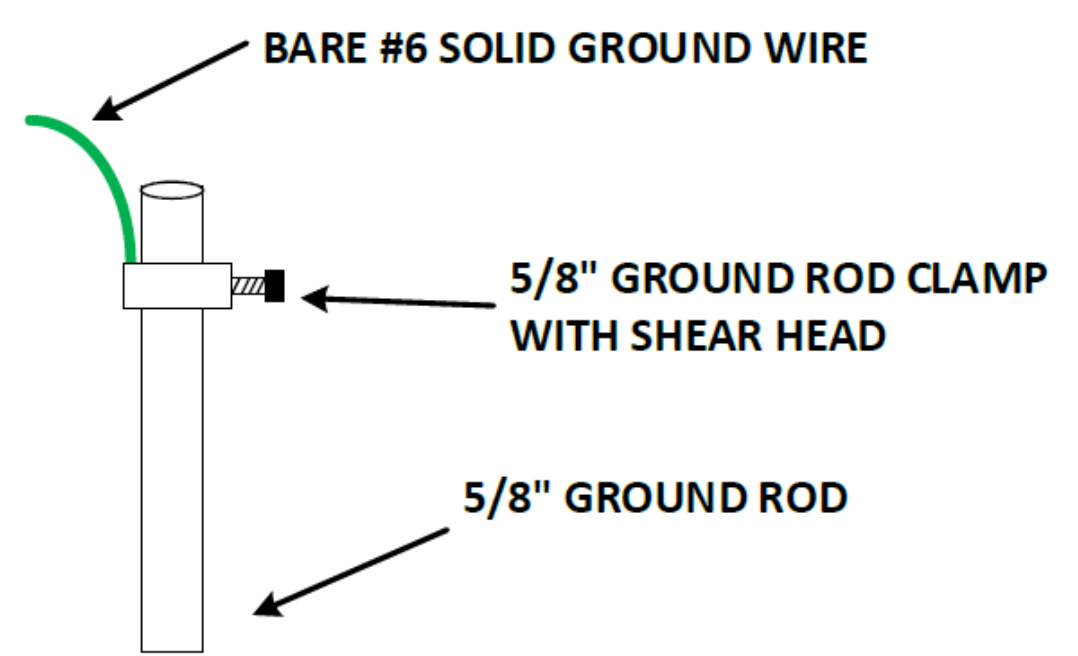
1 UTILITY POLE GROUNDING
SCALE: N.T.S.



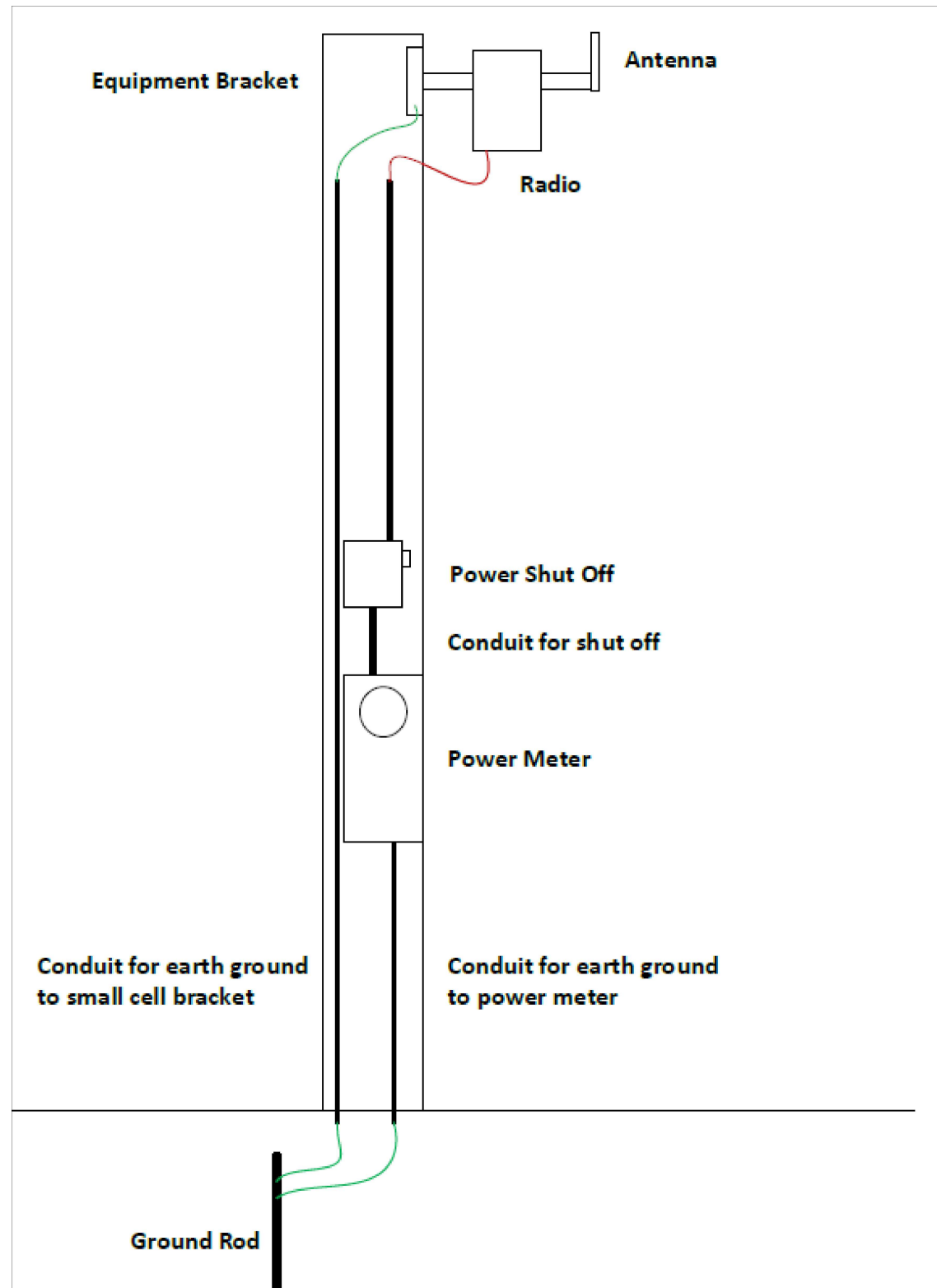
2 WIRE MULTIPLE GROUND CONNECTIONS
SCALE: N.T.S.



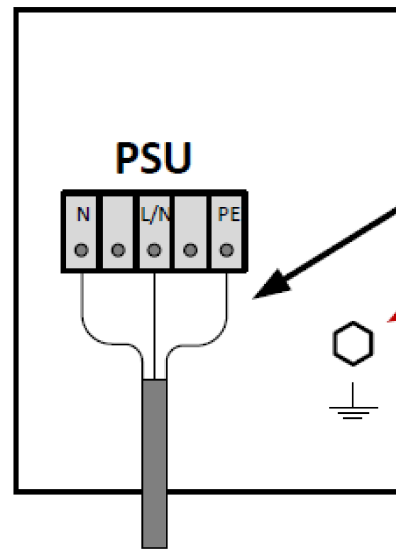
3 WIRE CONNECTION TO EQUIPMENT BRACKET
SCALE: N.T.S.



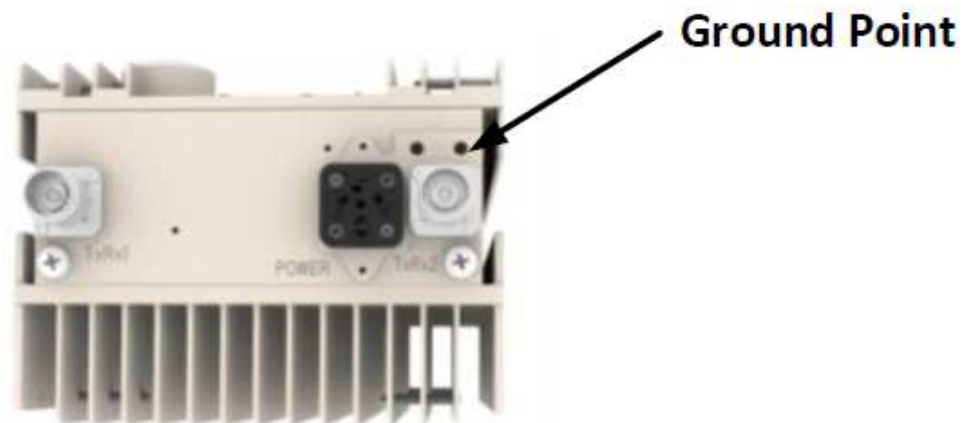
4 CONNECTION TO GROUND ROD
SCALE: N.T.S.



1 UTILITY POLE GROUNDING EXAMPLE
SCALE: N.T.S.



2 ERICSSON AC GROUNDING
SCALE: N.T.S.



3 NOKIA AC GROUNDING
SCALE: N.T.S.

PREPARED FOR:



AT&T MOBILITY
1801 VALLEY VIEW LANE
FARMERS BRANCH, TX 75234



4520 TEJASCO DRIVE
SAN ANTONIO, TX 78218

SITE NAME:

SX6745_R03

SITE NUMBER:
SX6745_R03

SITE ADDRESS:
3105 N TOWER RD
EDINBURG, TX 78516
HIDALGO COUNTY

10/19/2017



19315 FM 2252, STE. 301 PH: (210) 542-5911
GARDEN RIDGE, TX 78266 F-13646

DRAWN BY: WS
APPROVED BY: TH
DATE DRAWN: 10/05/17

REVISION			
NO	DESCRIPTION	BY	DATE
0	ISSUED FOR CONSTRUCTION	WS	10/05/17

SHEET TITLE:
GROUNDING DETAILS

SHEET NUMBER:
G2.0

THESE DOCUMENTS ARE CONFIDENTIAL AND ARE THE SOLE PROPERTY OF AT&T AND MAY NOT BE REPRODUCED, DISSEMINATED OR REDISTRIBUTED WITHOUT THE EXPRESS WRITTEN CONSENT OF AT&T.



CERTIFICATE OF LIABILITY INSURANCE

DATE (MM/DD/YYYY)

11/28/2018

THIS CERTIFICATE IS ISSUED AS A MATTER OF INFORMATION ONLY AND CONFERS NO RIGHTS UPON THE CERTIFICATE HOLDER. THIS CERTIFICATE DOES NOT AFFIRMATIVELY OR NEGATIVELY AMEND, EXTEND OR ALTER THE COVERAGE AFFORDED BY THE POLICIES BELOW. THIS CERTIFICATE OF INSURANCE DOES NOT CONSTITUTE A CONTRACT BETWEEN THE ISSUING INSURER(S), AUTHORIZED REPRESENTATIVE OR PRODUCER, AND THE CERTIFICATE HOLDER.

IMPORTANT: If the certificate holder is an **ADDITIONAL INSURED**, the policy(ies) must have **ADDITIONAL INSURED** provisions or be endorsed. If **SUBROGATION IS WAIVED**, subject to the terms and conditions of the policy, certain policies may require an endorsement. A statement on this certificate does not confer rights to the certificate holder in lieu of such endorsement(s).

PRODUCER MHBT, a Marsh & McLennan Agency, LLC company 8144 Walnut Hill Lane, 16th Fl Dallas TX 75231	CONTACT NAME: Sherry Amos PHONE (A/C No. Ext): 972-770-1411 E-MAIL ADDRESS: Sherry.Amos@MarshMMA.com	FAX (A/C, No):
	INSURER(S) AFFORDING COVERAGE	
INSURED Nexius Solutions, Inc. 2595 N. Dallas Parkway, Suite 300 Frisco TX 75034	INSURER A: Hanover Insurance Company INSURER B: Allmerica Financial Benefit Insurance INSURER C: Massachusetts Bay Insurance Company INSURER D: INSURER E: INSURER F:	
	NAIC # 22292 41840 22306	

COVERAGES

CERTIFICATE NUMBER: 1985300653

REVISION NUMBER:

THIS IS TO CERTIFY THAT THE POLICIES OF INSURANCE LISTED BELOW HAVE BEEN ISSUED TO THE INSURED NAMED ABOVE FOR THE POLICY PERIOD INDICATED. NOTWITHSTANDING ANY REQUIREMENT, TERM OR CONDITION OF ANY CONTRACT OR OTHER DOCUMENT WITH RESPECT TO WHICH THIS CERTIFICATE MAY BE ISSUED OR MAY PERTAIN, THE INSURANCE AFFORDED BY THE POLICIES DESCRIBED HEREIN IS SUBJECT TO ALL THE TERMS, EXCLUSIONS AND CONDITIONS OF SUCH POLICIES. LIMITS SHOWN MAY HAVE BEEN REDUCED BY PAID CLAIMS.


INSR LTR	TYPE OF INSURANCE	ADDL INSD	SUBR WVD	POLICY NUMBER	POLICY EFF (MM/DD/YYYY)	POLICY EXP (MM/DD/YYYY)	LIMITS
C	<input checked="" type="checkbox"/> COMMERCIAL GENERAL LIABILITY <input type="checkbox"/> CLAIMS-MADE <input checked="" type="checkbox"/> OCCUR GEN'L AGGREGATE LIMIT APPLIES PER: <input type="checkbox"/> POLICY <input checked="" type="checkbox"/> PRO-JECT <input type="checkbox"/> LOC OTHER:			ZDDD28992801	7/1/2018	7/1/2019	EACH OCCURRENCE \$ 1,000,000 DAMAGE TO RENTED PREMISES (Ea occurrence) \$ 1,000,000 MED EXP (Any one person) \$ 10,000 PERSONAL & ADV INJURY \$ 1,000,000 GENERAL AGGREGATE \$ 2,000,000 PRODUCTS - COMP/OP AGG \$ 2,000,000 \$
B	<input checked="" type="checkbox"/> AUTOMOBILE LIABILITY <input checked="" type="checkbox"/> ANY AUTO <input type="checkbox"/> OWNED AUTOS ONLY <input type="checkbox"/> SCHEDULED AUTOS <input checked="" type="checkbox"/> HIRED AUTOS ONLY <input checked="" type="checkbox"/> NON-OWNED AUTOS ONLY			AWDD29084701	7/1/2018	7/1/2019	COMBINED SINGLE LIMIT (Ea accident) \$ 1,000,000 BODILY INJURY (Per person) \$ BODILY INJURY (Per accident) \$ PROPERTY DAMAGE (Per accident) \$ \$
A	<input checked="" type="checkbox"/> UMBRELLA LIAB <input checked="" type="checkbox"/> OCCUR <input type="checkbox"/> EXCESS LIAB <input type="checkbox"/> CLAIMS-MADE <input type="checkbox"/> DED <input checked="" type="checkbox"/> RETENTION \$ 0			UHDD28992901	7/1/2018	7/1/2019	EACH OCCURRENCE \$ 20,000,000 AGGREGATE \$ 20,000,000 \$
A	<input checked="" type="checkbox"/> WORKERS COMPENSATION AND EMPLOYERS' LIABILITY ANY PROPRIETOR/PARTNER/EXECUTIVE OFFICER/MEMBER EXCLUDED? <input type="checkbox"/> Y <input checked="" type="checkbox"/> N (Mandatory in NH) If yes, describe under DESCRIPTION OF OPERATIONS below		N/A	WMDD25935401	7/1/2018	7/1/2019	<input checked="" type="checkbox"/> PER STATUTE <input type="checkbox"/> OTH-ER E.L. EACH ACCIDENT \$ 1,000,000 E.L. DISEASE - EA EMPLOYEE \$ 1,000,000 E.L. DISEASE - POLICY LIMIT \$ 1,000,000
A	3rd Party E&O/Cyber Installation Floater			LHDD31178201 IHDD27365001	7/1/2018 7/1/2018	7/1/2019 7/1/2019	Each Wrongful Act \$ 5,000,000 Aggregate \$ 5,000,000 \$300,000 Limit \$ 1,000 Deductible

DESCRIPTION OF OPERATIONS / LOCATIONS / VEHICLES (ACORD 101, Additional Remarks Schedule, may be attached if more space is required)

1st Party CYBER COVERAGE:
 Hanover Insurance Company
 07/01/2018-07/01/2019
 Policy #LHDD31178201
 \$1,000,000 Aggregate
 \$1,000,000 Occurrence

Additional Insured form #421-2915 edition 06/15 applies to the General Liability policy.
 See Attached...

CERTIFICATE HOLDER**CANCELLATION**

Hidalgo County Planning and Permitting 1304 S 25th Ave Edinburg TX 78542	SHOULD ANY OF THE ABOVE DESCRIBED POLICIES BE CANCELLED BEFORE THE EXPIRATION DATE THEREOF, NOTICE WILL BE DELIVERED IN ACCORDANCE WITH THE POLICY PROVISIONS. AUTHORIZED REPRESENTATIVE 
--	---

© 1988-2015 ACORD CORPORATION. All rights reserved.



ADDITIONAL REMARKS SCHEDULE

AGENCY MHBHT, a Marsh & McLennan Agency, LLC company		NAMED INSURED Nexius Solutions, Inc. 2595 N. Dallas Parkway, Suite 300 Frisco TX 75034	
POLICY NUMBER		EFFECTIVE DATE:	
CARRIER	NAIC CODE		

ADDITIONAL REMARKS

THIS ADDITIONAL REMARKS FORM IS A SCHEDULE TO ACORD FORM,
FORM NUMBER: 25 **FORM TITLE:** CERTIFICATE OF LIABILITY INSURANCE

Waiver of subrogation form #421-2915 edition 06/15 applies to the General Liability policy.
 Primary & Non-Contributory form #421-2915 edition 06/15 applies to the General Liability policy.
 Notice of Cancellation form #401-1235 edition 12/14 applies to the General Liability policy.

Additional Insured for Texas form #CA0403 edition 02/08 applies to the Automobile Liability policy.
 Additional Insured form #461-0478 edition 12/12 applies to the Automobile Liability policy.
 Waiver of subrogation form #461-0500 edition 11/13 applies to the Automobile Liability policy.
 Primary & Non-Contributory form #461-0478 edition 12/12 applies to the Automobile Liability policy.
 Notice of Cancellation form #401-1235 edition 12/14 applies to the Automobile Liability policy.

Additional Insured per form #475-0001 edition 01/18 applies to the Umbrella Liability policy.
 The Umbrella Liability policy includes a blanket additional insured endorsement to the certificate holder only when there is a written contract between the named insured and the certificate holder that requires such status.
 Waiver of subrogation form #475-0231 edition 12/14 applies to the Umbrella Liability policy.
 The Umbrella Liability policy includes a blanket waiver of subrogation endorsement to the certificate holder only when there is a written contract between the named insured and the certificate holder that requires such status.
 Notice of Cancellation form 401-1235 edition 12/14 applies to the Excess Liability policy

TX Waiver of subrogation form WC420304B applies to the Workers Compensation policy.
 CA Waiver of subrogation form WC040306 applies to the Workers Compensation policy
 Other States Waiver of subrogation form WC000313 applies to the Workers Compensation policy (does not apply to the following states KY, NH, NJ and HI).
 Notice of Cancellation form #401-1235 edition 12/14 applies to the Workers Compensation policy

The General Liability policy includes a blanket additional insured endorsement to the certificate holder only when there is a written contract between the named insured and the certificate holder that requires such status.

The General Liability policy contains an endorsement with "Primary and NonContributory" wording that may apply only when there is a written contract between the named insured and the certificate holder that requires such wording.

The General Liability policy contains a blanket waiver of subrogation endorsement that may apply only when there is a written contract between the named insured and the certificate holder that requires such wording.

The Automobile Liability policy contains language that provides additional insured status to the certificate holder only when there is a written contract between the named insured and the certificate holder that requires such status.

The Automobile liability policy includes waiver of subrogation wording that may apply only when there is a written contract between the named insured and the certificate holder that requires such wording.

The Worker's Compensation policy includes a waiver of subrogation endorsement that may apply only when there is a written contract between the named insured and the certificate holder that requires such wording.

The (General Liability, Automobile Liability, Worker's Compensation and Excess liability) policy(ies) includes a (blanket/specific) notice of cancellation to the certificate holder endorsement, providing for (30) days' advance written notice if the policy is canceled by the company, or 10 days' written notice before the policy is canceled for nonpayment of premium. Notice is sent to certificate holders with mailing addresses on file with the agent or the company. The endorsement does not provide for notice of cancellation to the certificate holder if the named insured requests cancellation.