



**Hidalgo County  
Planning  
Department**

**T.J. Arredondo, CFM**  
*Director of Planning*

**Main Office**

1304 S. 25<sup>th</sup> Street  
Edinburg, Texas 78542  
Phone (956) 318-2840  
Fax (956) 318-2844

**Engineering Projects Office**

902 N. Doolittle Road  
Edinburg, Texas 78542  
Phone (956) 292-7080  
Fax (956) 292-7089

**Precinct No. 1 Substation**

1902 Joe Stephens Ave.  
Weslaco, Texas 78596  
Phone (956) 968-4734  
Fax (956) 973-7850

**Precinct No. 3 Substation**

2401 N. Moorefield Road  
Mission, Texas 78572  
Phone (956) 205-7045  
Fax (956) 205-7049

**ASUD PROJECT:  
TEXAN RD WATERLINE BORE  
PROJECT**

**PIPELINE AND UTILITY PERMIT APPLICATION PACKET**

THE STATE OF TEXAS

COUNTY OF HIDALGO

PRECINCT 3

**APPLICATION AND AGREEMENT FOR PIPELINE OR  
UTILITY PERMIT**

Date: 12/4/19

AGUA SPECIAL UTILITY DISTRICT (hereinafter referred to as "Applicant") does hereby make application to the Hidalgo County through the Hidalgo County Planning Department (hereinafter referred to as "HCPD") to construct, maintain and repair pipelines or utilities across the easements, right-of-ways, property or property interest as described below.

Information required:

1. Name, Address and Phone number of Applicant:

AGUA SPECIAL UTILITY DISTRICT (ASUD)

3120 N. ABRAM RD; PALMVIEW, TX 78572

2. Name, Address and Phone number of company or agency owning Pipeline or Utility (please indicate if same as Applicant):

(SAME)

3. Name, Address and Phone number of operator of Pipeline or Utility (please indicate if same as Applicant):

(SAME)

4. Name, Address and Phone number of contractor to install Pipeline or Utility:

(SAME)



**Hidalgo County  
Planning  
Department**

**T.J. Arredondo, CFM**  
*Director of Planning*

**Main Office**

1304 S. 25<sup>th</sup> Street  
Edinburg, Texas 78542  
Phone (956) 318-2840  
Fax (956) 318-2844

**Engineering Projects Office**

902 N. Doolittle Road  
Edinburg, Texas 78542  
Phone (956) 292-7080  
Fax (956) 292-7089

**Precinct No. 1 Substation**

1902 Joe Stephens Ave.  
Weslaco, Texas 78596  
Phone (956) 968-4734  
Fax (956) 973-7850

**Precinct No. 3 Substation**

2401 N. Moorefield Road  
Mission, Texas 78572  
Phone (956) 205-7045  
Fax (956) 205-7049

**PIPELINE AND UTILITY PERMIT APPLICATION PACKET**

5. Is this a common carrier pipeline or utility? If yes, please submit the Applicant's Texas Railroad Commission Form "T-4" or similar form designating the facility:

N/A

6. Does Applicant have the Power of Eminent Domain?

N/A

7. Will the product be carried for hire or by the owner of the goods?

BY OWNER

8. Name and Legal description of property owner requesting utility services if applicable:

EAST SIDE / SCHOOL PROPERTY: LOT 14, BLOCK 15 TEXAN GARDENS SUBD.

9. Type of utility work within county road right-of-way:

Bore Crossing  Line Extension Along R.O.W.  Other \_\_\_\_\_

10. Where is the origin of the line?

EAST SIDE OF TEXAN ROAD (12" WATERLINE)

11. Where is the destination of the line?

BORE ACROSS TEXAN RD AND CONNECT TO EXIST. 8" WATERLINE APPROX. 1360' SOUTH FROM MILE 7 N RD;



**Hidalgo County  
Planning  
Department**

**T.J. Arredondo, CFM**  
*Director of Planning*

**Main Office**  
1304 S. 25<sup>th</sup> Street  
Edinburg, Texas 78542  
Phone (956) 318-2840  
Fax (956) 318-2844

**Engineering Projects Office**  
902 N. Doolittle Road  
Edinburg, Texas 78542  
Phone (956) 292-7080  
Fax (956) 292-7089

**Precinct No. 1 Substation**  
1902 Joe Stephens Ave.  
Weslaco, Texas 78596  
Phone (956) 968-4734  
Fax (956) 973-7850

**Precinct No. 3 Substation**  
2401 N. Moorefield Road  
Mission, Texas 78572  
Phone (956) 205-7045  
Fax (956) 205-7049

**PIPELINE AND UTILITY PERMIT APPLICATION PACKET**

12. Utility Crossing Coordinate X:16643485.7830Y:1016663.0035'  
(NAD 83 Texas South FIPS 4205 feet)  
TEXAN RD STARTING POINT (WEST) : N:16643499.7112' E:1016574.1373'
13. Number and size of lines:  
8" C-900 DR18 WATERLINE; 16" PVC CASINGS BY BORE  
AT ROAD CROSSING, SEE PLANS FOR DETAILS;
14. Pressure (each line):  
~ 60 PSI
15. Content (each line):  
POTABLE WATER
16. Estimated date of installation of Pipeline or Utility:  
AS SOON AS THIS PERMIT GETS APPROVED!



## Hidalgo County Planning Department

**T.J. Arredondo, CFM**  
*Director of Planning*

**Main Office**

1304 S. 25<sup>th</sup> Street  
Edinburg, Texas 78542  
Phone (956) 318-2840  
Fax (956) 318-2844

**Engineering Projects Office**

902 N. Doolittle Road  
Edinburg, Texas 78542  
Phone (956) 292-7080  
Fax (956) 292-7089

**Precinct No. 1 Substation**

1902 Joe Stephens Ave.  
Weslaco, Texas 78596  
Phone (956) 968-4734  
Fax (956) 973-7850

**Precinct No. 3 Substation**

2401 N. Moorefield Road  
Mission, Texas 78572  
Phone (956) 205-7045  
Fax (956) 205-7049

## **PIPELINE AND UTILITY PERMIT APPLICATION PACKET**

If requested permit is granted by HCPD, Applicant, in consideration thereof, agrees and binds itself as follows:

1. All pipelines or utilities herein will be horizontally placed within the right-of-way as determined by HCPD and at a minimum depth of five (5) feet below natural ground. Depth, horizontal, and vertical location shall be confirmed by HCPD Inspectors.
2. Location map, profile, and plans concerning the proposed pipeline or utility crossing will furnished with this application.
3. HCPD will be notified in writing ten days prior to the beginning date of construction under this permit.
4. Applicant will bear the entire expense of all future relocations of any pipelines or utilities should such relocation, at the sole discretion of the Hidalgo County Commissioners Court, be necessary for improvements, alteration, or maintenance of the Hidalgo County's easement or property of interest.
5. Applicant will notify the HCPD at least 48 hours prior to covering work and or completion of its work and removal of its equipment from the job site to permit HCPD to make an inspection.
6. Upon notification by the HCPD, the Applicant will promptly repair or rectify any deficiency or condition caused by the Applicant's operations or installations under this permit. Applicant will leave easement in as near the same condition or better, in the HCPD's sole judgment, as it existed prior to the commencement of the operations under this permit.
7. Hidalgo County shall not be liable or responsible for, and shall be saved and held harmless by Applicant, and further shall be indemnified by Applicant, from and against any and all suits, actions, losses, damages, claims, or liability of any character, type, or description, including all expenses of litigation, court costs, attorney's fees, and engineering fees for injury or death to any person, or injury to any property, received or sustained by any person or persons or property, arising out of, or occasioned by, directly or indirectly, the performance of Applicant under this agreement, including claims and damages arising in part from the negligence of the Hidalgo County.



## Hidalgo County Planning Department

**T.J. Arredondo, CFM**  
*Director of Planning*

**Main Office**

1304 S. 25<sup>th</sup> Street  
Edinburg, Texas 78542  
Phone (956) 318-2840  
Fax (956) 318-2844

**Engineering Projects Office**

902 N. Doolittle Road  
Edinburg, Texas 78542  
Phone (956) 292-7080  
Fax (956) 292-7089

**Precinct No. 1 Substation**

1902 Joe Stephens Ave.  
Weslaco, Texas 78596  
Phone (956) 968-4734  
Fax (956) 973-7850

**Precinct No. 3 Substation**

2401 N. Moorefield Road  
Mission, Texas 78572  
Phone (956) 205-7045  
Fax (956) 205-7049

## PIPELINE AND UTILITY PERMIT APPLICATION PACKET

It is the expressed intent of the parties to this agreement that the indemnity provided for in this section is extended by Applicant to indemnify and protect Hidalgo County from the consequences of Hidalgo County's own negligence, whether that negligence is the sole or contributory cause of the resultant injury death, or damage.

Applicant further agrees to defend, at its own expense, with attorneys acceptable to Hidalgo County and on behalf of the Hidalgo County, and in the name of Hidalgo County, any claim or litigation brought against the Hidalgo County in connection with any such injury, death or damage.

Before construction is begun on such pipeline or utility crossings, Applicant will furnish to the HCPD a certificate of insurance (or other security approved by the HCPD) payable to Hidalgo County and protecting Hidalgo County (as an additional named insured) against any claims for personal injuries or damages to property resulting from the operations of Applicant, its agents, servants, employees, and contractors under this permit. Insurance is to be supplied in accordance with the attached Schedule A.

8. Hidalgo County makes no warranties, expressed or implied, in the granting of this permit; nor does Hidalgo County purport to grant any property interest or exclusive privileges whatsoever by granting such permit. It is specifically understood that Hidalgo County is not the agent for, nor does it act for, the fee owners or any persons or entities having any right, or title to possession of the land upon which the Hidalgo County's easement or other property interest is located. Furthermore, in granting this permit Hidalgo County makes no representation or warranty that it has any property interest, including, but not limited to, an easement or right of way, in the land

upon which Applicant constructs, maintains, repairs, or modifies the pipelines or utilities, made the subject of this application, nor does Hidalgo County make any representation or warranty as to the validity, quality or extent of such property interest, if any. Applicant acknowledges its understanding that Hidalgo County in granting this permit, does not convey or grant to Applicant any rights, title or interest for which is has no legal authority to grant or convey.

9. Applicant binds itself to comply with all federal, state, and local laws or regulations and will obtain all necessary permits from all local and federal agencies required by law before installation or construction is begun.



## Hidalgo County Planning Department

**T.J. Arredondo, CFM**  
*Director of Planning*

### Main Office

1304 S. 25<sup>th</sup> Street  
Edinburg, Texas 78542  
Phone (956) 318-2840  
Fax (956) 318-2844

### Engineering Projects Office

902 N. Doolittle Road  
Edinburg, Texas 78542  
Phone (956) 292-7080  
Fax (956) 292-7089

### Precinct No. 1 Substation

1902 Joe Stephens Ave.  
Weslaco, Texas 78596  
Phone (956) 968-4734  
Fax (956) 973-7850

### Precinct No. 3 Substation

2401 N. Moorefield Road  
Mission, Texas 78572  
Phone (956) 205-7045  
Fax (956) 205-7049

## PIPELINE AND UTILITY PERMIT APPLICATION PACKET

10. Applicant will install its pipelines and utilities in a manner and location as shown in the plans and specifications filed with HCPD in support of this application for permit. Hidalgo County Planning Department's representative may at any time make such inspection as such engineer or other representation may deem necessary to assure that the construction of the pipeline or utilities is in accordance with the plans and specifications submitted, and said engineer or representative shall have the right to temporarily suspend Applicant's work if necessary, while such inspection is being made. Should Applicant not install the pipelines or utilities in accordance with the terms and conditions of this permit, Applicant agrees that the Hidalgo County shall have the right to require, at Applicant's expense, the removal of the pipelines and utilities and its replacement in conformance to said plans and specifications and conditions of this permit. Hidalgo County may revoke this permit and suspend all work hereunder if it is determined by Hidalgo County that the pipelines or utilities are not being installed in accordance with such plans and specifications and conditions of this permit. The suspension or revocation of this permit shall not be a basis for a claim for damages against Hidalgo County.
11. Except in emergency situations where it is necessary to protect life and property, Applicant will not make any change, modification, or alteration in or to the pipelines or utilities without first securing a new or amended permit from Hidalgo County prior to the making of any such change. Applicant will maintain the pipelines or utilities hereby authorized in good and safe condition, and in accordance with plans, specifications, and this permit.
12. Applicant agrees to pay HCPD a permit fee to cover administrative costs in the amount of **\$500.00**, plus a reimbursement to HCPD for any necessary engineering fees which may be incurred for the study and processing of the Application. This fee will permit a single pipeline or utility to be within County right-of-way. Applicant further agrees to pay an additional fee of **\$500.00** for each additional line included in permit application at the same location; however, more than one location may be included in a single application.

Requests to lay additional line or lines, not included in an initial permit application, must be made by separate application, with new permit fees paid accordingly and support data provided.



## Hidalgo County Planning Department

**T.J. Arredondo, CFM**  
*Director of Planning*

### Main Office

1304 S. 25<sup>th</sup> Street  
Edinburg, Texas 78542  
Phone (956) 318-2840  
Fax (956) 318-2844

### Engineering Projects Office

902 N. Doolittle Road  
Edinburg, Texas 78542  
Phone (956) 292-7080  
Fax (956) 292-7089

### Precinct No. 1 Substation

1902 Joe Stephens Ave.  
Weslaco, Texas 78596  
Phone (956) 968-4734  
Fax (956) 973-7850

### Precinct No. 3 Substation

2401 N. Moorefield Road  
Mission, Texas 78572  
Phone (956) 205-7045  
Fax (956) 205-7049

## PIPELINE AND UTILITY PERMIT APPLICATION PACKET

Permit fees may be waived where Applicant is a state, county, municipality, or a special political subdivision.

- The Applicant is allowed one hundred twenty days (120) from the granting of the permit to start construction of the pipelines or utilities crossings. Once started, the Applicant is allowed ninety (90) days to complete all work under such permit. All construction must be completed within two hundred ten (210) days from the date of issuance of permit. Upon application, extension of the time periods set forth in this paragraph may be granted by the Hidalgo County Commissioners Court. Such applications for extension must be received by HCPD at least thirty days before the expiration of the two hundred ten (210) days period. A new permit fee, in accordance with Paragraph 12 hereof, will be charged for each extension granted.

Construction of any pipeline or utility crossing will not begin until written approval has been given by HCPD.

- All provisions of the Pipeline and Utility Permit Administration Policy of Hidalgo County, if any, and all amendments thereto, are hereby incorporated herein as part of the terms and conditions of this permit for all purposes.
- Applicant warrants and represents that it has secured from all fee owners of the involved property an easement or other property rights to construct, repair or modify the pipeline or utility in the manner set forth herein.
- This Pipeline and Utility Permit if granted by Hidalgo County is subject to any and all other requirements, specifications and conditions listed in Exhibit A attached hereto.
- Hidalgo County requires all coordinates of all utility crossings. Horizontal datum to be in NAD 83 State Plane Texas South 4205 feet and vertical datum in NAVD 88 Geoid 12a.



**Hidalgo County  
Planning  
Department**

**T.J. Arredondo, CFM**  
Director of Planning

**Main Office**

1304 S. 25<sup>th</sup> Street  
Edinburg, Texas 78542  
Phone (956) 318-2840  
Fax (956) 318-2844

**Engineering Projects Office**

902 N. Doolittle Road  
Edinburg, Texas 78542  
Phone (956) 292-7080  
Fax (956) 292-7089

**Precinct No. 1 Substation**

1902 Joe Stephens Ave.  
Weslaco, Texas 78596  
Phone (956) 968-4734  
Fax (956) 973-7850

**Precinct No. 3 Substation**

2401 N. Moorefield Road  
Mission, Texas 78572  
Phone (956) 205-7045  
Fax (956) 205-7049

**PIPELINE AND UTILITY PERMIT APPLICATION PACKET**

18. This permit constitutes the entire agreement between the parties with regard to the subject matter hereof, and all prior agreements, representations, and negotiations between the parties regarding the subject matter are hereby superseded. This permit shall not be altered or amended except by an agreement in writing executed by the parties hereto.

19. Applicant warrants and represents that its undersigned representative has full authority to bind Applicant to the terms and conditions of the foregoing Application and Agreement for Pipeline or Utility Permit.

DATED this 4<sup>th</sup> day of December, 20 19.

Jose E. Saenz  
(Name of Applicant – Printed or Typed)

By: [Signature]  
Signature

Title: General Manager

STATE OF TEXAS  
COUNTY OF HIDALGO

SUBSCRIBED AND SWORN TO before me the Applicant, Jose E. Saenz, on this 4<sup>th</sup> day of December, 20 19, to which witness my hand and seal of office.



[Signature]  
Notary Public for the State of Texas

My Commission Expires: 4-22-22



**Hidalgo County  
Planning  
Department**

**T.J. Arredondo, CFM**  
*Director of Planning*

**Main Office**

1304 S. 25<sup>th</sup> Street  
Edinburg, Texas 78542  
Phone (956) 318-2840  
Fax (956) 318-2844

**Engineering Projects Office**

902 N. Doolittle Road  
Edinburg, Texas 78542  
Phone (956) 292-7080  
Fax (956) 292-7089

**Precinct No. 1 Substation**

1902 Joe Stephens Ave.  
Weslaco, Texas 78596  
Phone (956) 968-4734  
Fax (956) 973-7850

**Precinct No. 3 Substation**

2401 N. Moorefield Road  
Mission, Texas 78572  
Phone (956) 205-7045  
Fax (956) 205-7049

**PIPELINE AND UTILITY PERMIT APPLICATION PACKET**

**APPROVAL OF APPLICATION BY  
HIDALGO COUNTY PLANNING DEPARTMENT**

Came on for consideration this \_\_\_\_\_ day of \_\_\_\_\_,  
20\_\_\_\_. The above and foregoing Application for Pipeline and Utility  
Permit, and after consideration of the same by the Hidalgo County  
Commissioners Court, said Application and Agreement for Pipeline or  
Utility Permit is hereby APPROVED.

HIDALGO COUNTY:

\_\_\_\_\_  
Richard F. Cortez, County Judge



**Hidalgo County  
Planning  
Department**

**T.J. Arredondo, CFM**  
*Director of Planning*

**Main Office**

1304 S. 25<sup>th</sup> Street  
Edinburg, Texas 78542  
Phone (956) 318-2840  
Fax (956) 318-2844

**Engineering Projects Office**

902 N. Doolittle Road  
Edinburg, Texas 78542  
Phone (956) 292-7080  
Fax (956) 292-7089

**Precinct No. 1 Substation**

1902 Joe Stephens Ave.  
Weslaco, Texas 78596  
Phone (956) 968-4734  
Fax (956) 973-7850

**Precinct No. 3 Substation**

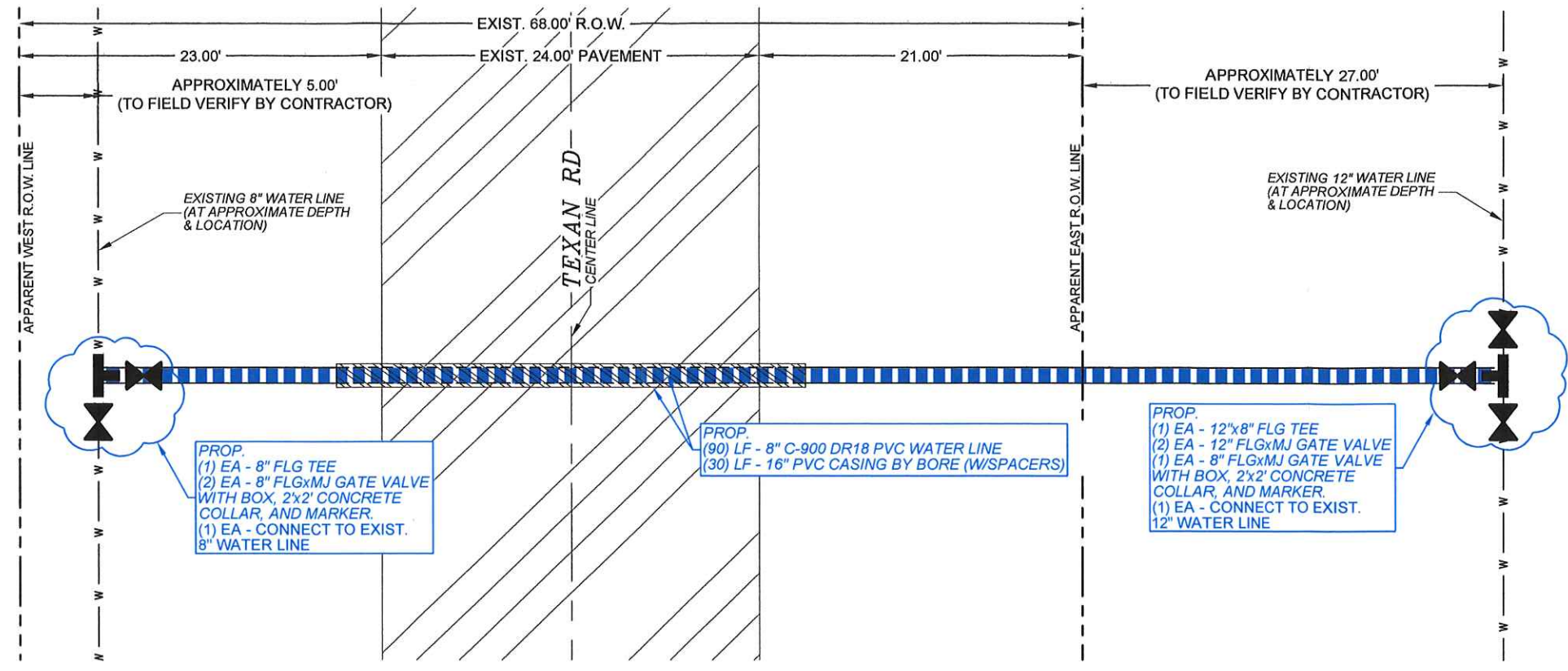
2401 N. Moorefield Road  
Mission, Texas 78572  
Phone (956) 205-7045  
Fax (956) 205-7049

**PIPELINE AND UTILITY PERMIT APPLICATION PACKET**

**EXHIBIT A**

(Please insert description of project location and supporting documents for proposed utility work)

SET OF CONSTRUCTION PLANS ATTACHED

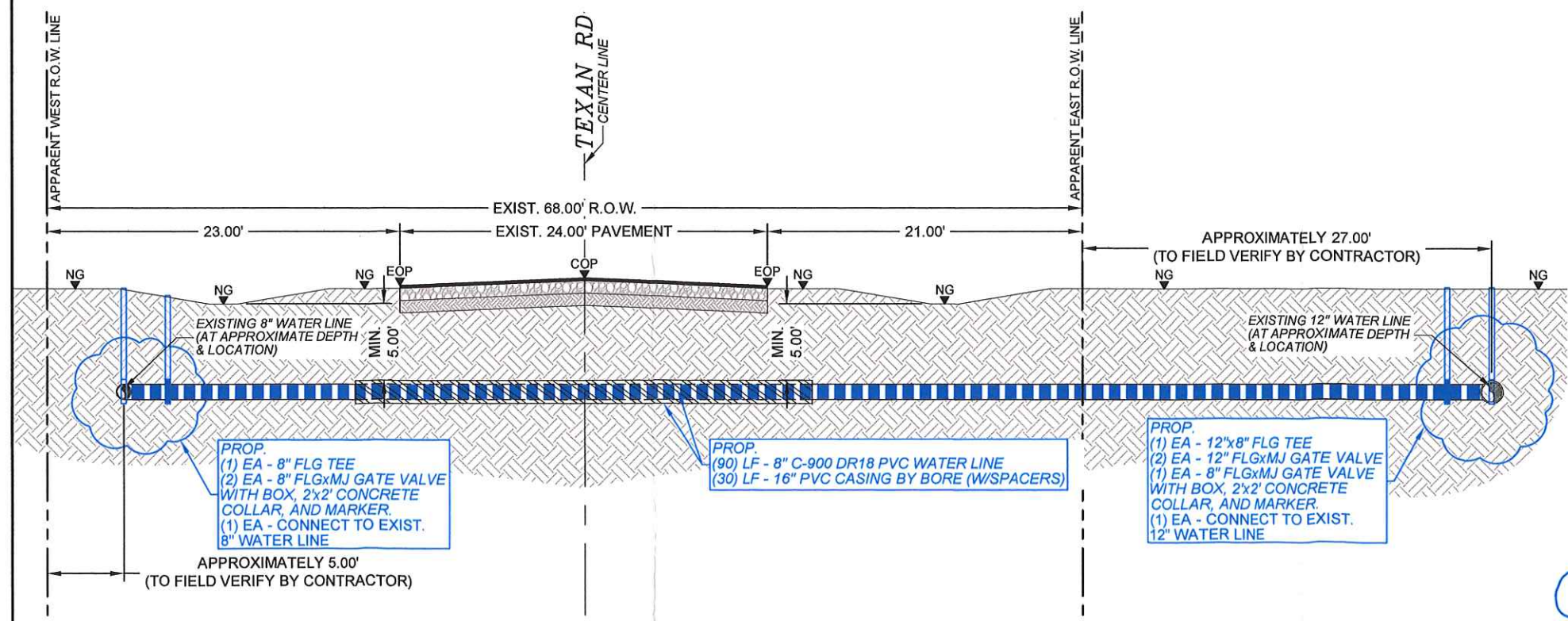


PLAN VIEW  
SCALE: 1"=10'

LEGEND	
NG	- NATURAL GROUND
EOP	- EDGE OF PAVEMENT
COP	- CENTER OF PAVEMENT
PROP.	- PROPOSE
EXIST.	- EXISTING
ROW	- RIGHT-OF-WAY
MIN.	- MINIMUM



- GENERAL NOTES:**
1. THE LOCATION OF UNDERGROUND UTILITIES SHOWN ON THESE PLANS ARE BASED ON OBSERVATION OF ABOVE GROUND STRUCTURES, LINES SPOTTED BY THE OWNER, AND UTILITY SPOTTING. ACTUAL LOCATION OF THESE UTILITIES MAY VARY, AND ADDITIONAL BURIED UTILITIES MAY BE ENCOUNTERED UPON EXCAVATION.
  2. BEFORE BEGINNING CONSTRUCTION, THE CONTRACTOR SHALL CALL FOR UTILITY SPOTTING BY THE APPROPRIATE AGENCY AND VERIFY THE LOCATION OF THESE UTILITIES TO HIS SATISFACTION. (1-800-DIG-TESS)
  3. ANY DAMAGE CAUSED TO EXISTING STRUCTURES AND/OR UTILITIES BY THE CONTRACTOR SHALL BE THE CONTRACTORS RESPONSIBILITY TO CORRECT AT HIS EXPENSE.
  4. ANY DAMAGE TO PROPERTY, OUTSIDE THE CONSTRUCTION ZONE, CAUSED BY THE CONTRACTOR, SHALL BE THE CONTRACTOR'S RESPONSIBILITY TO CORRECT AT HIS EXPENSE.



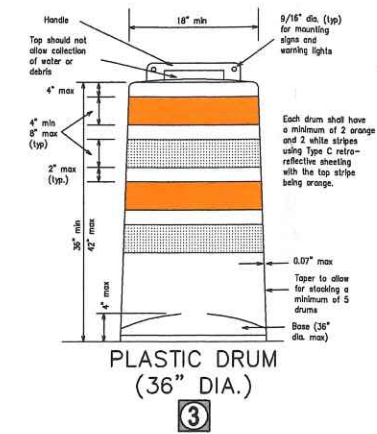
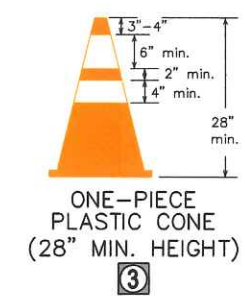
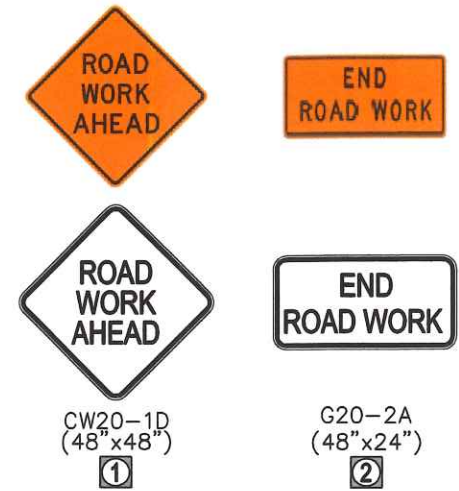
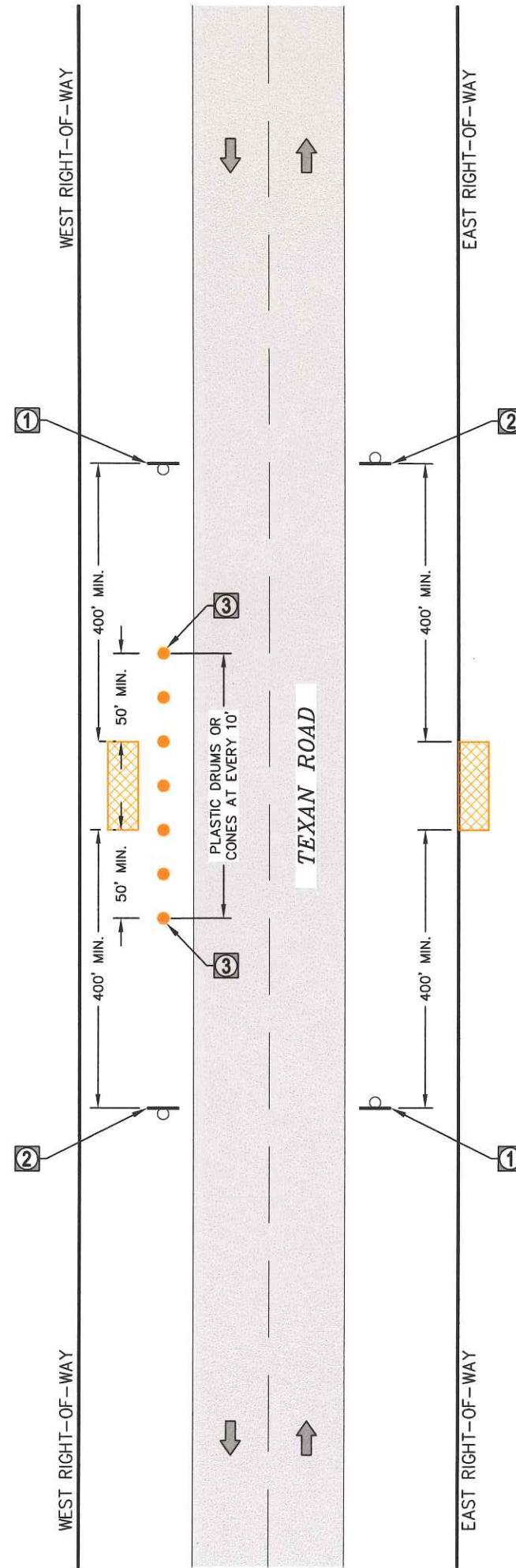
CROSS-SECTION VIEW  
SCALE: 1"=10'



**CSJ GROUP**  
ENGINEERS • CONSULTANTS • MANAGERS  
825 E. ALBERTA RD. | EDINBURG TX 78539  
956.239.2984 | eddie@csj.com  
FIRM REGISTRATION # F-17262 (TEXAS)

TEXAN RD. - NORTH LOOP  
AGUA SUD  
WESTERN BOOSTER STATION  
WATERLINE PROJECT  
MISSION, TEXAS

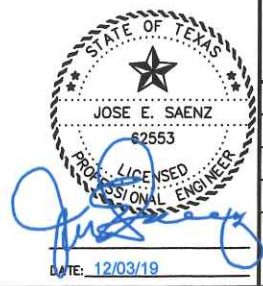
SCALE: 1"=10'  
DRAWN BY: LALO CHAPA  
CHECKED BY: JOSE E. SAENZ  
SURVEYED BY: ---  
SHEET: 1 of 3  
DATE: 12/03/19



LEGEND	
#	SIGN NUMBER
—	BARRICADE
○	SIGN W/POST
●	PLASTIC DRUM OR CONE
○	FLAGGER
→	TRAFFIC FLOW
▨	WORK AREA

**GENERAL NOTES:**

- ALL SIGNS, PLASTIC DRUMS, AND BARRICADES SHALL BE IN ACCORDANCE WITH THE TEXAS MANUAL ON UNIFORM TRAFFIC CONTROL DEVICES (TMUTCD) 2014.
- REFER TO TxDOT "BARRICADE AND CONSTRUCTION CHANNELIZING DEVICES STANDARD PLANS" AND TO "TRAFFIC CONTROL PLAN STANDARD PLANS" FOR ADDITIONAL REQUIREMENTS AND SPECIFICATIONS.

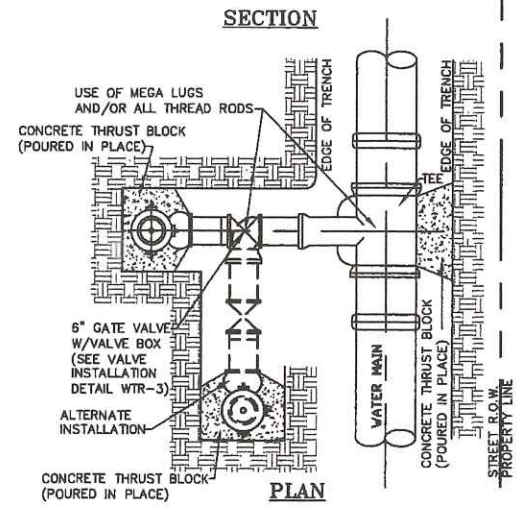
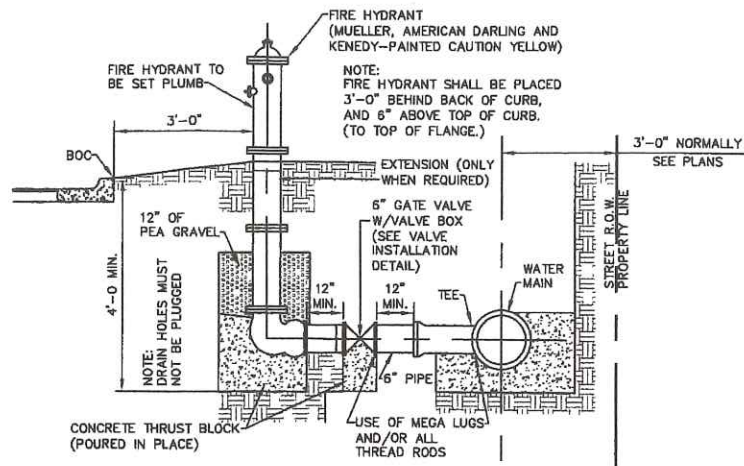


SCALE:	NOT TO SCALE
DRAWN BY:	LALO CHAPA
CHECKED BY:	JOSE E. SAENZ
SURVEYED BY:	
SHEET:	2 of 3

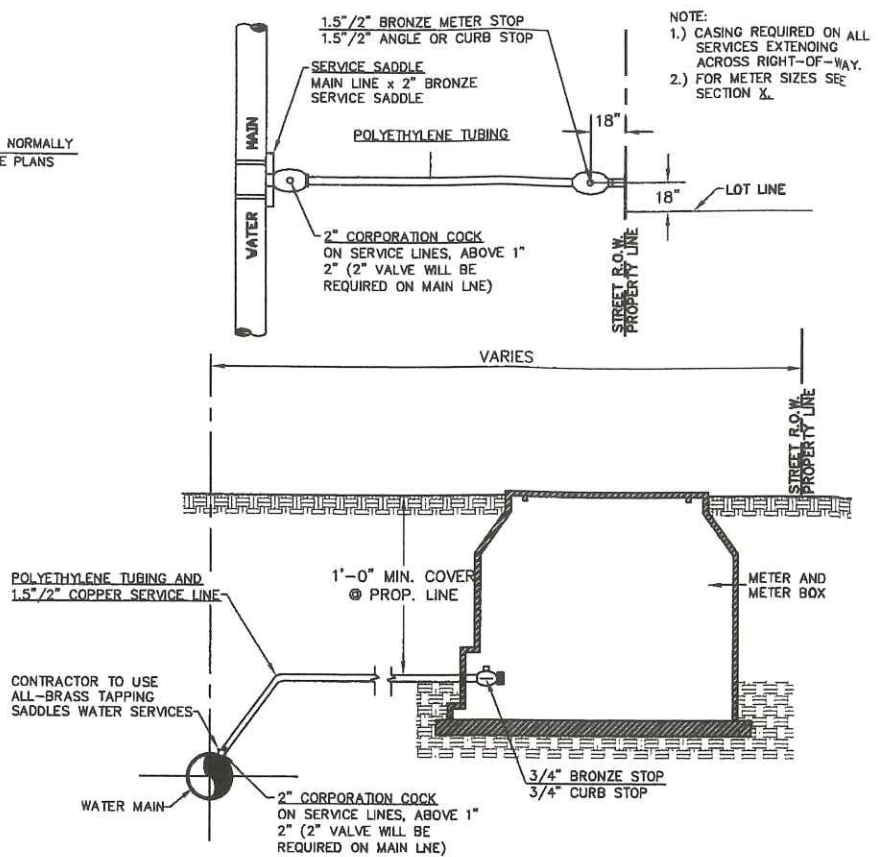
**C S J GROUP**  
 ENGINEERS • CONSULTANTS • MANAGERS  
 825 E. ALBERTA RD. | EDINBURG TX 78539  
 956.239.2984 | edesaenz95@gmail.com  
 FIRM REGISTRATION # F-17262 (TEXAS)

**TRAFFIC CONTROL PLAN (TCP)**  
 AGUA SUD  
 WESTERN BOOSTER STATION  
 WATERLINE PROJECT  
 MISSION, TEXAS

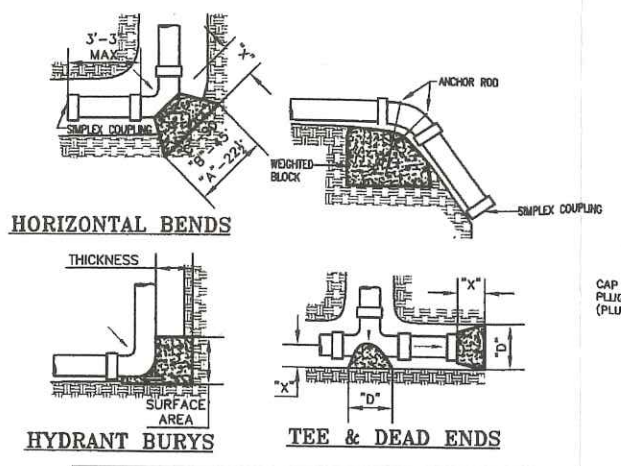
DATE: 12/03/19



**FIRE HYDRANT INSTALLATION DETAIL**  
N.T.S.



**SINGLE WATER SERVICE CONNECTION DETAIL**  
N.T.S.



**HORIZONTAL BLOCKING TABLE**

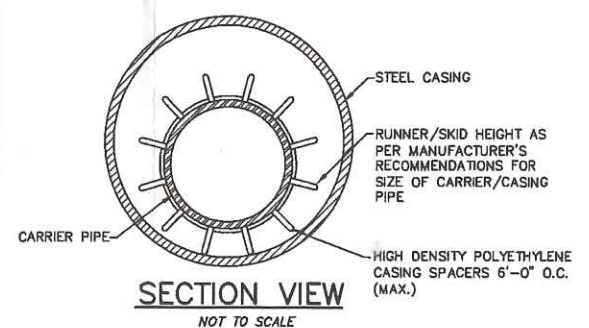
PIPE SIZE	X-DIAL FT.	22 1/2 DEGREES			45 DEGREES			90 DEGREES			TEE & PLUG	
		"A"	MIN. AREA	"B"	MIN. AREA	"C"	MIN. AREA	"D"	MIN. AREA	"E"	MIN. AREA	
4"	1.50	1.00	1.00	1.00	1.00	1.00	1.00	1.00	1.00	1.00	1.00	
6"	1.50	1.00	1.00	1.14	1.30	1.55	2.40	1.30	1.70			
8"	1.50	1.00	1.18	1.52	2.31	2.07	4.27	1.74	3.02			
10"	1.50	1.35	1.84	1.00	3.01	2.58	8.88	2.17	4.71			
12"	1.50	1.63	2.65	1.08	5.19	3.10	9.60	2.81	6.79			

- GENERAL NOTES:**
- 1.) THE LOCATION OF THRUST BLOCKS DEPENDS UPON THE DIRECTION OF THRUST AND TYPE OF FITTINGS.
  - 2.) THRUST BLOCK CALCULATIONS ARE BASED ON A WATER LINE PRESSURE OF 150 P.S.I. AND AN ALLOWABLE SOIL BEARING VALUE OF 2,500 POUNDS PER SQUARE FOOT.
  - 3.) "C" DIMENSIONS SHALL BE LARGE ENOUGH TO MAKE ANGLE # EQUAL TO LARGER THAN 45°.
  - 4.) ANGLE # SHALL BE EQUAL TO OR LARGER THAN 45°.
  - 5.) ALL FITTINGS TO BE WRAPPED IN PLASTIC.

**THRUST BLOCK DETAIL**  
N.T.S.

**TABLE OF CASING SIZES**

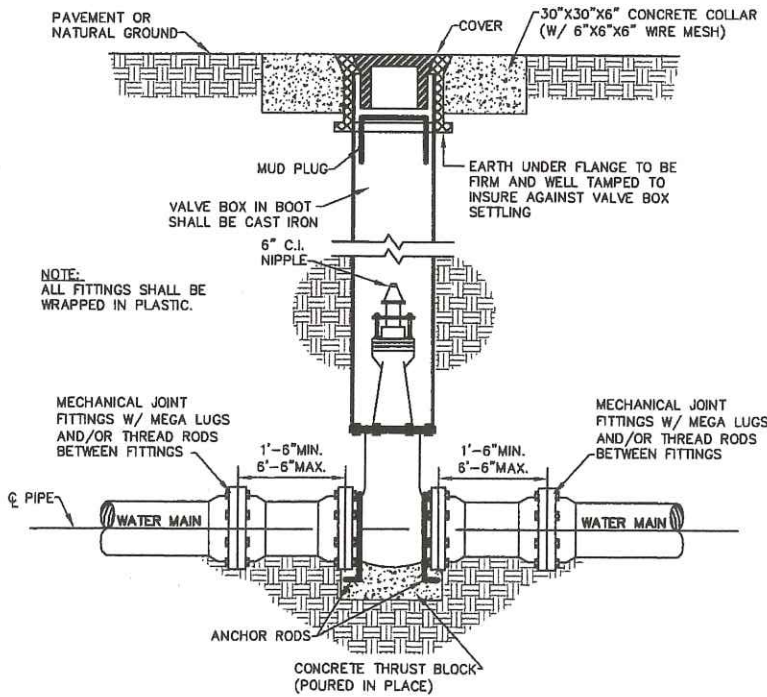
CARRIER PIPE SIZE	CASING SIZE (INSIDE DIA.)	CASING MINIMUM WALL THICKNESS
4"	3"-10"	0.25"
6"	10"-12"	0.25"
8"	14"-16"	0.25"
10"	18"	0.25"
12"	20"	0.25"
16"	26"	0.4375" (7/16")



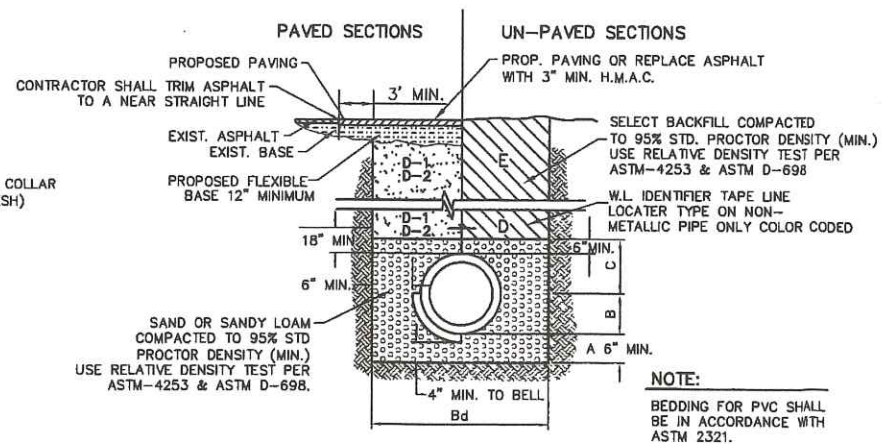
CARRIER PIPE - P.V.C. C900 DR-18

- GENERAL NOTES:**
1. ALL STEEL CASING SHALL BE WELDED.
  2. STEEL CASING SHALL BE SEALED AT EACH END USING SYNTHETIC RUBBER END SEALS.
  3. CASING SPACERS SHALL BE USED TO INSTALL THE CARRIER PIPE INSIDE THE ENCASMENT PIPE. CASING SPACERS SHALL FASTEN TIGHTLY ON THE CARRIER PIPE TO PREVENT RELATIVE MOVEMENT ON PIPE DURING INSTALLATION. CASING SPACERS SHALL BE DOUBLED ON EACH END OF THE ENCASMENT.
  4. PROJECTION TYPE CASING SPACERS SHALL BE CONSTRUCTED SECTIONS OF HIGH DENSITY POLYETHYLENE.
  5. INSTALLATION AND SIZE OF SPACERS SHALL BE PER MANUFACTURER'S RECOMMENDATIONS.

**STEEL CASING DETAIL**  
N.T.S.

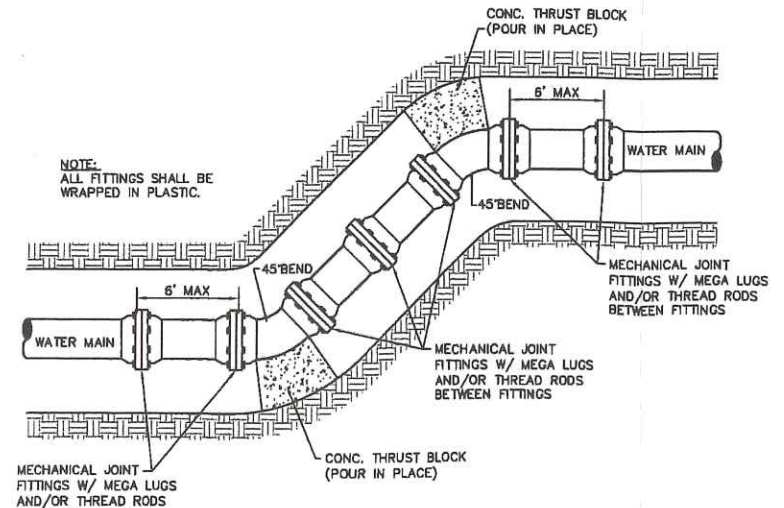


**GATE VALVE & BOX INSTALLATION DETAIL**  
N.T.S.



- NOTE:**  
BEDDING FOR PVC SHALL BE IN ACCORDANCE WITH ASTM 2321.
- A. SAND OR SANDY LOAM BEDDING PLACED BEFORE PIPE IS LAID UP TO FLOW LINE OF PIPE. (MIN. THICKNESS=6")
  - B. SAND OR SANDY LOAM BACKFILL PLACED AFTER PIPE IS LAID FROM BOTTOM OF PIPE TO SPRING LINE OF PIPE. (4" LIFTS, HAND TAMPED) Bd TRENCH WIDTHS SHALL BE PIPE O.O. + 12" OR IN ACCORDANCE WITH ASTM 2331 FOR PVC PIPE.
  - C. SAND OR SANDY LOAM BACKFILL PLACED FROM SPRING LINE OF PIPE TO 6" ABOVE TOP OF PIPE. (6" LIFTS, HAND TAMPED)
  - D-1. (CITY STREETS, PARKING AREA, SELECT EXCAVATED BACKFILL MATERIAL COMPACTED TO 95% STD. PROCTOR DENSITY (MIN.) (8" LIFTS, MECHANICAL COMPACTION)
  - D-2. (STATE MAINTAINED ROADWAY) COMPACTED SAND/CEMENT STABILIZED BACKFILL WITH 7% PORTLAND CEMENT COMPACTED AS PER ASTM D-4253 AND ASTM D-698.
  - E. SELECTED EARTH BACKFILL COMPACTED TO 90% STANDARD PROCTOR DENSITY (12" LIFT, MECHANICAL COMPACTION). FOUNDATION PREPARATION (WELLPOINTS, GRAVEL OR CEMENT STABILIZATION, OR APPROVED SUBSTITUTE) SHALL BE REQUIRED WHEN TRENCH BOTTOM IS UNSTABLE. BACKFILLING AT STRUCTURES SHALL BE PLACED IN UNIFORM LAYERS, MOISTENED AS REQUIRED TO APPROXIMATE OPTIMUM MOISTURE CONTENT, AND COMPACTED TO 95% STANDARD PROCTOR DENSITY (USE RELATIVE DENSITY TEST PER ASTM D-4253 & ASTM D-698). THE THICKNESS OF EACH LOOSE LAYER SHALL NOT EXCEED 6". STRUCTURE BACKFILL MATERIAL SHALL BE SAND, APPROVED SITE SOIL, OR OTHER APPROVED SUBSTITUTE.

**TRENCH BEDDING (WATER) DETAIL**  
N.T.S.



**WATERLINE OFFSET DETAIL**  
N.T.S.

**C S J GROUP**  
ENGINEERS • CONSULTANTS • MANAGERS  
825 E. ALBERTA RD. | EDINBURG TX 78539  
956.239.2984 | eddie@csjgroup.com  
FIRM REGISTRATION # F-17262 (TEXAS)

**TYPICAL WATER SYSTEM DETAILS**  
AGUA SUD  
WESTERN BOOSTER STATION  
WATERLINE PROJECT  
MISSION, TEXAS



SCALE: NOT TO SCALE  
DRAWN BY: LALO CHAPA  
CHECKED BY: JOSE E. SAENZ  
SURVEYED BY:  
SHEET: 3 of 3  
DATE: 12/03/19