



HIDALGO COUNTY PLANNING DEPARTMENT

T.J. Arredondo, CFM
Director of Planning

1304 SOUTH 25TH STREET
EDINBURG TEXAS 78539
Tel. 956-318-2840 Fax. 956-318-2844

HIDALGO COUNTY COMMISSIONERS COURT MEETING

DATE: 6-23-2020

PROPOSED VALLE MESA ESTATES SUBDIVISION PRECINCT No. 1.

ENGINEER: KK ENGINEERING DEVELOPER: KYNDEL W. BENNETT

PRELIMINARY APPROVAL FINAL APPROVAL FINAL APPROVAL WITH FINANCIAL GUARANTEE WITH VARIANCE

NUMBER OF LOTS: 65 *SINGLE FAMILY *MULTI-FAMILY COMMERCIAL INSTITUTIONAL

STREETLIGHTS: 11

FILLING STATIONS: 4

LOCATION DESCRIPTION: NORTH OF MILE 13 ½ NORTH ROAD APPROXIMATELY ¼ MILE WEST OF F.M. 493.

SUBDIVISION LIES WITHIN THE: ETJ OF DONNA AND WAS APPROVED BY THE P & Z AND CITY COMMISSION OF SAID CITY

DRAINAGE REPORT WAS APPROVED BY HCDD#1: ON 6-19-2019 PROPERTY LIES WITHIN FLOOD ZONE: "C" AS PER FEMA.

DRAINAGE DESIGN: DRAINAGE WILL BE PROVIDED BY STORM SEWER SYSTEM AND DETENTION WILL BE PROVIDED BY WIDENING THE EXISTING DRAIN DITCH.

ROAD R.O.W. DEDICATION: 40.00 FEET ONTO MILE 13 ½ NORTH ROAD.

H.C.R.O.W. FINAL APPROVAL DATE: 4-23-2020 BY, DANNY GUZMAN, PCT. 1 R.O.W. AGENT

H.C.H.D. FINAL APPROVAL DATE: 5-04-2020 BY, ENVIRONMENTAL HEALTH DIVISION

SEWER SYSTEM: OSSF'S HAVE BEEN INSTALLED

WATER SERVICE PROVIDER: N.A.W.S.C. LINE SIZE: 8" LOCATION: SOUTH SIDE OF MILE 13 ½ NORTH ROAD.

H.C.E.O.C. FINAL APPROVAL DATE: 4-16-2020 : BY MARTIN RAMIREZ ENVIRONMENTAL COMPLIANCE COORDINATOR

LARGE CONSTRUCTION

The applicant has submitted the required NOI as per Part II, Section E of the TPDES General Permit for Construction Activities (TXR150000) along with a copy of the Erosion Control Plan for the proposed project.

REQUEST FOR FINAL APPROVAL WITH: **Cash Deposit: Amount: \$ 20,000.00 For: (4) FILLING STATIONS**

PRELIMINARY APPROVAL FROM THE
HIDALGO COUNTY COMMISSIONERS COURT ON: AUGUST 27, 2019

STAFF RECOMMENDS: **Preliminary Approval** subject to comments and future recommendations by planning, other departments and the approval of the City of DONNA.

Final Approval subject to recommendations other departments

This subdivision plat has been reviewed and complies with the Hidalgo County Subdivision Rules,

** Texas Water Development Board Model Subdivision Rules and The Texas Local Government Code.*

PLAT OF VALLE MESA ESTATES SUBDIVISION

40.00 ACRES BEING ALL OF BLOCK 123, LA BLANCA AGRICULTURAL COMPANY'S SUBDIVISION "B", HIDALGO COUNTY, TEXAS AS PER MAP RECORDED IN VOLUME 1 PAGE 33, MAP RECORDS OF HIDALGO COUNTY TEXAS,

PREPARED BY: K K ENGINEERING CONSULTANT
DATE OF PREPARATION: MAY, 2019

STATE OF TEXAS COUNTY OF HIDALGO
OWNER'S DEDICATION, CERTIFICATION, AND ATTESTATION

VALLE MESA ESTATES, L.P.
AS OWNER OF THE 40.00 ACRES TRACT OF LAND ENCOMPASSED WITHIN THE PROPOSED VALLE MESA ESTATES SUBDIVISION HEREBY SUBDIVIDE THE LAND AS DEPICTED IN THIS SUBDIVISION PLAT AND DEDICATE TO PUBLIC USE OF STREETS, PARK, AND EASEMENTS SHOWN HEREIN.

I CERTIFY THAT I HAVE COMPLIED WITH THE REQUIREMENTS OF TEXAS LOCAL GOVERNMENT CODE § 232.022 AND THAT:

- (A) THE WATER QUALITY AND CONNECTIONS TO THE LOTS MEET, OR WILL MEET, THE MINIMUM STATE STANDARDS;
- (B) SEWER CONNECTIONS TO THE LOTS OR SEPTIC TANKS MEET, OR WILL MEET, THE MINIMUM REQUIREMENTS OF STATE STANDARDS;
- (C) ELECTRICAL CONNECTIONS PROVIDED TO THE LOTS MEET, OR WILL MEET, THE MINIMUM STATE STANDARDS; AND
- (D) GAS CONNECTIONS, IF AVAILABLE, PROVIDED TO THE LOTS MEET, OR WILL MEET, THE MINIMUM STATE STANDARDS.

I ATTEST THAT THE MATTERS ASSERTED IN THIS PLAT ARE TRUE AND COMPLETE.

KYNDEL W. BENNETT, PRESIDENT _____ DATE _____

VALLE MESA ESTATES, L.P.
A TEXAS LIMITED PARTNERSHIP
BY VALLE MESA ESTATES GP, LLC,
A TEXAS LIMITED LIABILITY COMPANY
ITS: GENERAL PARTNER
P.O. BY: KYNDEL W. BENNETT, PRESIDENT
P.O. BOX 365
LA BLANCA, TX 78558

STATE OF TEXAS COUNTY OF HIDALGO

BEFORE ME, THE UNDERSIGNED AUTHORITY ON THIS DAY PERSONALLY APPEARED KYNDEL W. BENNETT KNOWN TO ME TO BE THE PERSON (S) WHOSE NAME (S) IS (ARE) SUBSCRIBED TO THE FOREGOING INSTRUMENT, AND ACKNOWLEDGED TO ME THAT HE (THEY) EXECUTED THE SAME FOR THE PURPOSES AND CONSIDERATIONS THEREIN EXPRESSED AND IN THE CAPACITY THEREIN STATED.

GIVEN UNDER MY HAND AND SEAL OF OFFICE, THIS THE _____ DAY OF _____ 20____

NOTARY PUBLIC IN AND FOR THE STATE OF TEXAS
MY COMMISSION EXPIRES: _____

STATE OF TEXAS
COUNTY OF HIDALGO

UNDER LOCAL GOVERNMENT CODE § 232.028(a)

WE, THE UNDERSIGNED CERTIFY THAT THIS PLAT OF THE VALLE MESA ESTATES SUBDIVISION WAS REVIEWED AND APPROVED BY THE HIDALGO COUNTY COMMISSIONERS COURT ON _____

HIDALGO COUNTY JUDGE _____ DATE _____

ATTEST: HIDALGO COUNTY CLERK _____ DATE _____

HIDALGO COUNTY CERTIFICATE OF PLAT APPROVAL

I, THE UNDERSIGNED CERTIFY THAT THIS PLAT OF VALLE MESA ESTATES SUBDIVISION WAS REVIEWED AND APPROVED BY THE HIDALGO COUNTY HEALTH DEPARTMENT ON _____

HIDALGO COUNTY ENVIRONMENTAL HEALTH DIVISION _____ DATE _____

HIDALGO COUNTY DRAINAGE DISTRICT No. 1 HEREBY CERTIFIES THAT THE DRAINAGE PLANS FOR THIS SUBDIVISION COMPLY WITH THE MINIMUM STANDARDS OF THE DISTRICT ADOPTED UNDER TEX. WATER CODE § 49.211(G). THE DISTRICT HAS NOT REVIEWED AND DOES NOT CERTIFY THAT THE DRAINAGE STRUCTURES DESCRIBED ARE APPROPRIATE FOR THE SPECIFIC SUBDIVISION, BASED ON GENERALLY ACCEPTED ENGINEERING CRITERIA. IT IS THE RESPONSIBILITY OF THE DEVELOPER OF THE SUBDIVISION AND ITS ENGINEER TO MAKE THESE DETERMINATIONS.

HIDALGO COUNTY DRAINAGE DISTRICT No. 1

RAUL SESIN, P.E., C.F.M.
GENERAL MANAGER _____ DATE _____

STATE OF TEXAS
COUNTY OF HIDALGO

I, KAMBIZ S. KHADEMI A REGISTERED PROFESSIONAL ENGINEER IN THE STATE OF TEXAS, HEREBY CERTIFY THAT PROPER ENGINEERING CONSIDERATION HAS BEEN GIVEN TO THIS PLAT.

DATED THIS THE _____ DAY OF _____ 20____

REGISTERED PROFESSIONAL ENGINEER _____

No. 57767 STATE OF TEXAS



STATE OF TEXAS
COUNTY OF HIDALGO

I, JOSE MARIO GONZALEZ, REGISTERED PROFESSIONAL LAND SURVEYOR IN THE STATE OF TEXAS, DO HEREBY CERTIFY THAT THIS PLAT AND DESCRIPTION OF THE AS CORDOBA HEIGHTS SUBDIVISION WAS PREPARED FROM A SURVEY OF THE PROPERTY MADE ON THE GROUND UNDER MY SUPERVISION.

DATED THIS THE _____ DAY OF _____ 20____

REGISTERED PROFESSIONAL SURVEYOR _____

No. 5571 STATE OF TEXAS



GENERAL SUBDIVISION PLAT NOTES

1. MINIMUM FINISH FLOOR ELEVATION SHALL BE AT 24" ABOVE THE TOP OF THE STREET CURB WHEN MEASURED AT THE CENTER FRONT OF ALL THE LOTS. ELEVATION CERTIFICATE MAY BE REQUIRED FOR LOTS LOCATED OUTSIDE A DESIGNATED FLOOD ZONE AT THE TIME FOR APPLICATION FOR CONSTRUCTION TO VERIFY PRE AND POST CONSTRUCTION FINISH FLOOR ELEVATIONS. AN ELEVATION CERTIFICATE SHALL BE REQUIRED ALL LOTS WITHIN A DESIGNATED FLOOD ZONE AT THE TIME FOR A DEVELOPMENT PERMIT APPLICATION.

2. THIS SUBDIVISION IS LOCATED IN: ZONE "C" AREAS DETERMINED TO BE OUTSIDE 500-YEAR FLOOD PLAIN. FEMA FIRM COMMUNITY PANEL NO. 480334 0425 C EFFECTIVE DATE: NOVEMBER 16, 1982.

CONSTRUCTION OF RESIDENTIAL HOUSING WITHIN ANY AREA OF THE SUBDIVISION THAT IS IN THE 100-YEAR FLOOD PLAIN IS PROHIBITED UNLESS THE HOUSING QUALIFIES FOR INSURANCE UNDER THE NATIONAL FLOOD INSURANCE ACT OF 1968 (42 U.S.C. SECTIONS 4001 THROUGH 4127).

3. SETBACKS:
FRONT: 25.00 FEET AND 15 FEET FOR CUL-DE-SAC LOTS ONLY.
REAR: 15.00 FEET OR EASEMENT WHICHEVER IS GREATER
CORNER SIDE: 10.00 FEET AND 20 FEET ALONG MILE 4 WEST ROAD
GARAGE FRONT: 18.00 FEET
SIDE: 6.00 FEET OR EASEMENT WHICHEVER IS GREATER

4. GENERAL NOTE FOR SINGLE FAMILY RESIDENCES:
NO MORE THAN ONE SINGLE-FAMILY DETACHED DWELLING SHALL BE LOCATED ON EACH LOT. THIS MUST BE STIPULATED ON ALL DEEDS AND CONTRACTS FOR DEEDS APPLICATIONS FOR CONSTRUCTION ARE REQUIRED PRIOR TO OCCUPYING THE LOT. NO COMMERCIAL SHALL BE ALLOWED.

5. CORNER MARKERS, CONSISTING OF A ONE-HALF (1/2) INCH STEEL ROD 18 INCHES IN LENGTH, WITH PLASTIC CAP STAMPED "RIO DELTA SURVEYING", HAVE BEEN DRIVEN FLUSH WITH THE GROUND SURFACE TO MARK THE CORNERS OF ALL LOTS.

6. THE FOLLOWING BENCHMARKS ARE IDENTIFIED ON THE FACE OF THE PLAT AND ON THE ATTACHED ENGINEERING PLANS.

-->B.M. NO. 1--ELEV. 74.67 TOP OF 1/2" IRON ROD. AT 20 FEET NORTH FROM THE S.W. CORNER OF THE PROPERTY AT THE EXISTING NORTH R.O.W. OF MILE 13 1/2 NORTH ROAD (NAVD 1988)
COORDINATE: X = 1151837.13 Y = 16621780.68

-->B.M. NO. 2--ELEV. 72.75 ON TOP OF A STORM DRAINAGE TYPE "A" INLET SOUTH EAST CORNER OF LOT 49 (NAVD 1988)
COORDINATE: X = 1134224.91 Y = 16616928.38

7. IN ACCORDANCE WITH THE HIDALGO COUNTY DRAINAGE DISTRICT NO. 1 AND HIDALGO COUNTY REQUIREMENTS, THIS DEVELOPMENT WILL BE REQUIRED TO DETAIN A TOTAL OF 89,387 CUBIC FEET (2.05 ACRE-FEET) OF STORM WATER RUNOFF. DRAINAGE RETENTION IN ACCORDANCE WITH THE LOCAL REQUIREMENTS WILL BE ACCOMPLISHED AS FOLLOWS: (SEE SHEET NO.3 FOR STORM SEWER IMPROVEMENTS.)

8. NO STRUCTURE SHALL BE PERMITTED OVER ANY EASEMENT. EASEMENTS SHALL BE KEPT CLEAR OF BUILDINGS, SHEDS, SHRUBS TREES, AND OTHER PLANTINGS (EXCEPT LOW, LESS THAN 18 INCHES MATURE HEIGHT, GROUND COVER, GRASS, OR FLOWERS) AND OTHER OBSTRUCTIONS THAT WOULD INTERFERE WITH THE OPERATIONS AND MAINTENANCE OF THE EASEMENT.

9. EACH PURCHASED CONTRACT MADE BETWEEN A SUBDIVIDER AND PURCHASER OF A LOT IN THIS SUBDIVISION SHALL CONTAIN A STATEMENT DESCRIBING HOW AND WHEN WATER, SEWER, ELECTRICITY, AND GAS SERVICES WILL BE MADE AVAILABLE TO THE SUBDIVISION.

10. ALL PUBLIC UTILITIES EASEMENTS DEDICATED BY THIS PLAT SHALL BE A MINIMUM WIDTH OF 15.00 FEET AS PER THE HIDALGO COUNTY MODEL SUBDIVISION RULES. BY SIGNING THIS PLAT, DEVELOPER AND ENGINEER CERTIFY THAT ALL OTHER EASEMENTS SHOWN COMPLY WITH THE SIZE REQUIRED BY EACH UTILITY PROVIDER OCCUPYING AN EASEMENT.

11. ON-SITE SEWAGE FACILITIES (OSSF) NOTE: THIS SUBDIVISION SHALL USE ON-SITE SEWAGE FACILITIES IN ACCORDANCE WITH TCEQ AND HIDALGO COUNTY REGULATIONS FOR SEWAGE DISPOSAL. THE SUBDIVIDER IS RESPONSIBLE FOR PROVIDING AN OSSF ON ALL LOTS.

A. OSSF SYSTEM IS BEING DESIGNED FOR DISPOSAL OF DOMESTIC SEWAGE ONLY.

B. EACH LOT ON THIS PLAT COMPLIES WITH THE MINIMUM 21,780 SQUARE FEET LOT AREA WITH POTABLE WATER SUPPLY.

C. OSSF SYSTEM SHALL REQUIRE INSPECTION AND APPROVAL BY HIDALGO COUNTY AUTHORIZED DEPARTMENT

D. SOIL ANALYSIS HAVE BEEN SUBMITTED TO THE AUTHORIZED HIDALGO COUNTY DEPARTMENT AND EXPERTS MAY BE ALSO SEEN ON THE UTILITY LAYOUT FOR THIS SUBDIVISION AS SUBMITTED TO THE HIDALGO COUNTY PLANNING DEPARTMENT. THE ENGINEER HAS DETERMINED THAT THE SOIL IS SUITABLE FOR A STANDARD SEPTIC TANK AND ABSORPTIVE DRAINFIELD SYSTEM.

E. APPROVED "OSSF" PERMIT APPLICATION IS REQUIRED INCLUDING INDIVIDUAL LOT PLANNING MATERIALS PRIOR TO OCCUPYING A LOT.

12. THERE ARE NO WATER WELLS WITHIN 150 FEET FROM THE BOUNDARIES ON THIS SUBDIVISION

13. KYNDEL W. BENNETT, THE OWNER & SUBDIVIDER OF VALLE MESA ESTATES SUBDIVISION, RETAINS A BLANKET EASEMENT UPON EACH LOT FOR THE PURPOSE OF INSTALLING AN APPROVED OSSF ON THE LOT AS DESCRIBED ON SHEET NO.2 OF THIS PLAT.

14. ALL CONSTRUCTION SHALL COMPLY WITH STORM WATER POLLUTION PREVENTION PLAN (SWSP) REQUIREMENTS.

15. STREET & STOP SIGNS AND STREET LIGHTS INSTALLED BY THE DEVELOPER.

16. FIRE HYDRANTS INSTALLED & PAINTED BLACK BY THE DEVELOPER.

17. ALL LOTS SHALL HAVE A POST DEVELOPMENT FINISHED GRADE FROM THE REAR OF THE LOT TO THE CURB AND/OR ROADSIDE DITCH AT A 0.25 % SLOPE TO ACCOMPLISH POSITIVE DRAINAGE. THIS IS IN ACCORDANCE WITH HIDALGO COUNTY APPENDIX 5: COUNTY CONSTRUCTION SPECIFICATIONS 3.1.4.

18. NO ACCESS SHALL BE PERMITTED FROM MILE 13 1/2 NORTH ROAD ON TO LOTS 1, 39, 40, AND 64. PRIMARY ACCESS SHALL BE FROM SUSIE DRIVE AND CHEVY DRIVE.

19. M.V.E.C. IS ALLOWED TO PLACE ELECTRICAL SERVICE POLES/LINES WITHIN THE SIDE SETBACKS OF ANY LOT, AS NEEDED.

PLANNING & ZONING COMMISSION CERTIFICATION

I, THE UNDERSIGNED, CHAIRPERSON OF THE PLANNING AND ZONING COMMISSION OF THE CITY OF DONNA, HEREBY CERTIFY THAT THIS SUBDIVISION PLAT KNOWN AS VALLE MESA ESTATES CONFORMS TO ALL REQUIREMENTS OF THE SUBDIVISION REGULATIONS OF THIS CITY WHEREIN MY APPROVAL IS REQUIRED.

THE _____ DAY OF _____ 20____

CHAIRPERSON-PLANNING & ZONING COMMISSION

CITY MAYOR CERTIFICATION

I, THE UNDERSIGNED, MAYOR OF THE CITY OF DONNA, TEXAS, HEREBY CERTIFY THAT THIS SUBDIVISION PLAT KNOWN AS VALLE MESA ESTATES CONFORMS TO ALL REQUIREMENTS OF THE SUBDIVISION REGULATIONS OF THIS CITY WHEREIN MY APPROVAL IS REQUIRED.

THE _____ DAY OF _____ 20____

MAYOR OF CITY OF DONNA

METES AND BOUNDS

40.00 ACRES BEING ALL OF BLOCK 123, LA BLANCA AGRICULTURAL COMPANY'S SUBDIVISION "B", HIDALGO COUNTY, TEXAS AS PER MAP RECORDED IN VOLUME 1 PAGE 33, MAP RECORDS OF HIDALGO COUNTY TEXAS, SAID 40.00 ACRE TRACT BEING MORE PARTICULARLY DESCRIBED BY METES AND BOUNDS AS FOLLOWS:

COMMENCING AT A 1/2" ROD WITH CAP STAMPED "RIO DELTA SURVEYING" SET AT THE NORTHWEST CORNER OF BLOCK 123, LA BLANCA AGRICULTURAL COMPANY'S SUBDIVISION "B" FOR THE NORTHWEST CORNER OF THIS TRACT OF LAND AND THE POINT OF BEGINNING;

THENCE N 89°25'49" E, WITH THE NORTH LINE OF SAID BLOCK 123, A DISTANCE OF 1320.00' TO A 1/2" ROD WITH CAP STAMPED "RIO DELTA SURVEYING" SET AT THE NORTHEAST CORNER OF SAID BLOCK 123, FOR THE NORTHEAST CORNER OF THIS TRACT OF LAND;

THENCE S 00°34'11" E, WITH THE EAST LINE OF SAID BLOCK 123 AT 1300.00' PASS A 1/2" ROD FOUND AT THE NORTH RIGHT OF WAY LINE OF SAID MILE 13 1/2 ROAD, AT 1320.00' IN ALL TO A NAIL SET AT THE SOUTHWEST CORNER SAID BLOCK 123, FOR THE SOUTHWEST CORNER OF THIS TRACT;

THENCE S 89°25'49" W, WITH THE SOUTH LINE OF SAID BLOCK 123, A DISTANCE OF 1320.00' TO A NAIL SET AT THE SOUTHWEST CORNER OF SAID BLOCK 123, FOR THE SOUTHWEST CORNER OF THIS TRACT OF LAND;

THENCE N 00°34'11" W, WITH THE WEST LINE OF SAID BLOCK 123, AT 200.00' PASS A 1/2" ROD WITH CAP STAMPED "RIO DELTA SURVEYING" SET AT THE NORTH RIGHT OF WAY LINE OF SAID MILE 13 1/2 ROAD, AT 1320.00' IN ALL TO THE POINT OF BEGINNING, CONTAINING 40.00 ACRES OF LAND, MORE OR LESS.

RIGHT OF WAY EASEMENT

KNOW ALL MEN BY THESE PRESENTS, that the undersigned, owners of the property shown on this plat, their successors, assigns, and transferees (hereinafter called "Grantor" whether one or more persons are named), in consideration of one dollar (\$1.00) and other good and valuable consideration paid by North Alamo Water Supply Corporation, (hereinafter called "Grantee"), the receipt and sufficiency of which is hereby acknowledged, does hereby grant, bargain, sell, transfer, and convey to said Grantee, its successors, and assigns, a perpetual easement with the right to erect, construct, install and lay therefor use, operate, inspect, repair, maintain, replace, and remove water distribution lines and appurtenances over and across the lands shown on this plat, together with the right of ingress and egress over Grantee's adjacent lands for the purpose for which the above mentioned rights are granted. The easement hereby granted shall not exceed 15' in width, and Grantee is hereby authorized to designate the course of the easement herein conveyed except that when the pipeline(s) is installed, the easement herein granted shall be limited to a strip of land 15' in width, the center line thereof being the pipeline as relocated. The consideration recited herein shall constitute payment in full for all damages sustained by Grantor by reason of the installation, maintenance, repair, replacement and relocation of the structures referred to herein. This agreement together with other provisions of this grant shall constitute an easement for the benefit of the Grantee, its successors, and assigns. The Grantor covenants that it is the owner of the above-described lands and that said lands are free and clear of all encumbrances and liens except the following: The easement conveyed herein was obtained or improved through Federal financial assistance. This easement is subject to the provisions of Title VI of the Civil Rights Act of 1964 and the regulations issued pursuant thereto for so long as the easement continues to be used for the same or similar purpose for which financial assistance was extended or for so long as the Grantee owns it, whichever is longer.

IN WITNESS WHEREOF the said Grantor executed this instrument this _____ day of _____ 20____

KYNDEL W. BENNETT, PRESIDENT
P.O. BOX 365 LA BLANCA ROAD, TX 78558



FILED FOR RECORD IN HIDALGO COUNTY, TEXAS
ARTURO GUARDADO, JR.
HIDALGO COUNTY CLERK

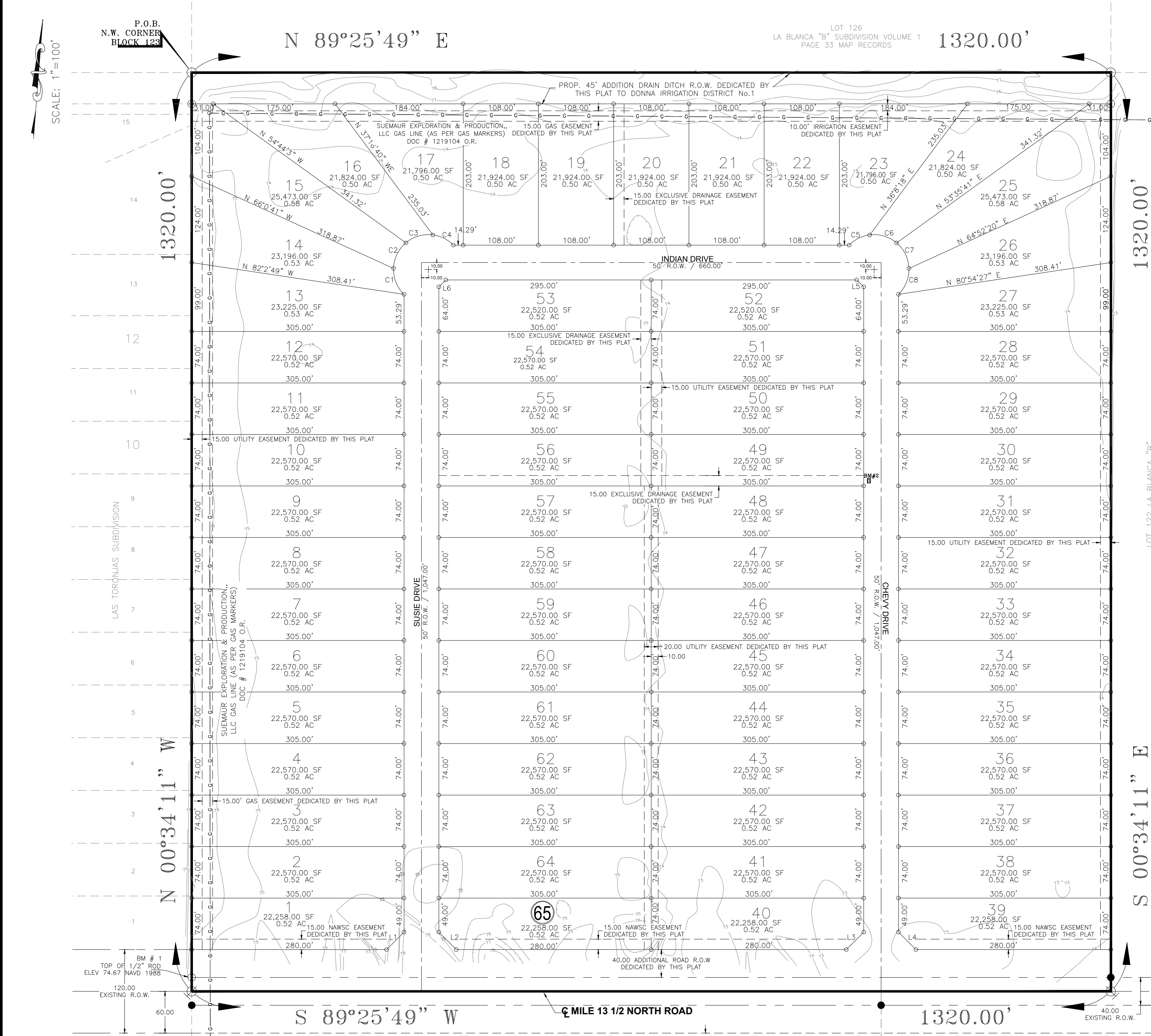
ON: _____ AT _____ AM/PM

INSTRUMENT NUMBER OF THE MAP RECORDS OF HIDALGO COUNTY, TEXAS

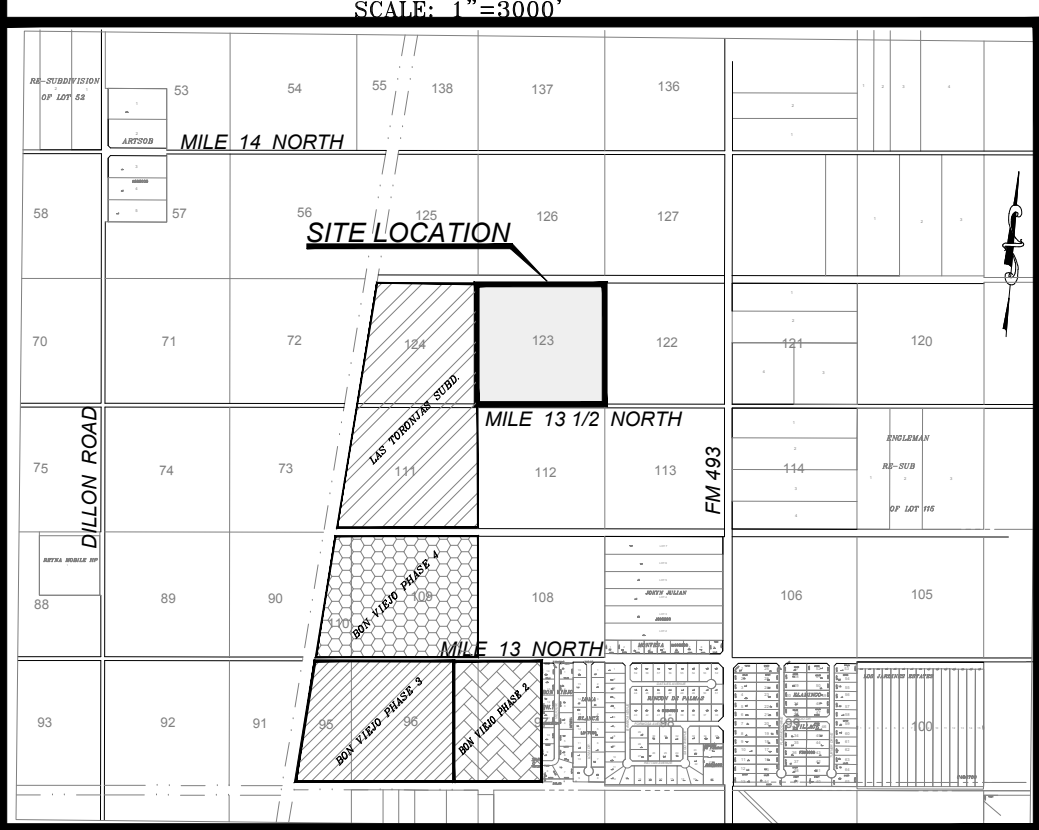
BY: _____ DEPUTY

THIS PLAT IS HEREBY APPROVED BY THE DONNA IRRIGATION DISTRICT NO. 1 ON THIS, THE _____ DAY OF _____ 20____

PRESIDENT _____ ATTEST _____ SECRETARY _____



LOCATION MAP



LINE	BEARING	DISTANCE
L1	N 44°25'49" E	35.36'
L2	N 45°34'11" W	35.36'
L3	N 44°25'49" E	35.36'
L4	N 45°34'11" W	35.36'
L5	N 45°34'11" W	14.14'
L6	N 44°25'49" E	14.14'

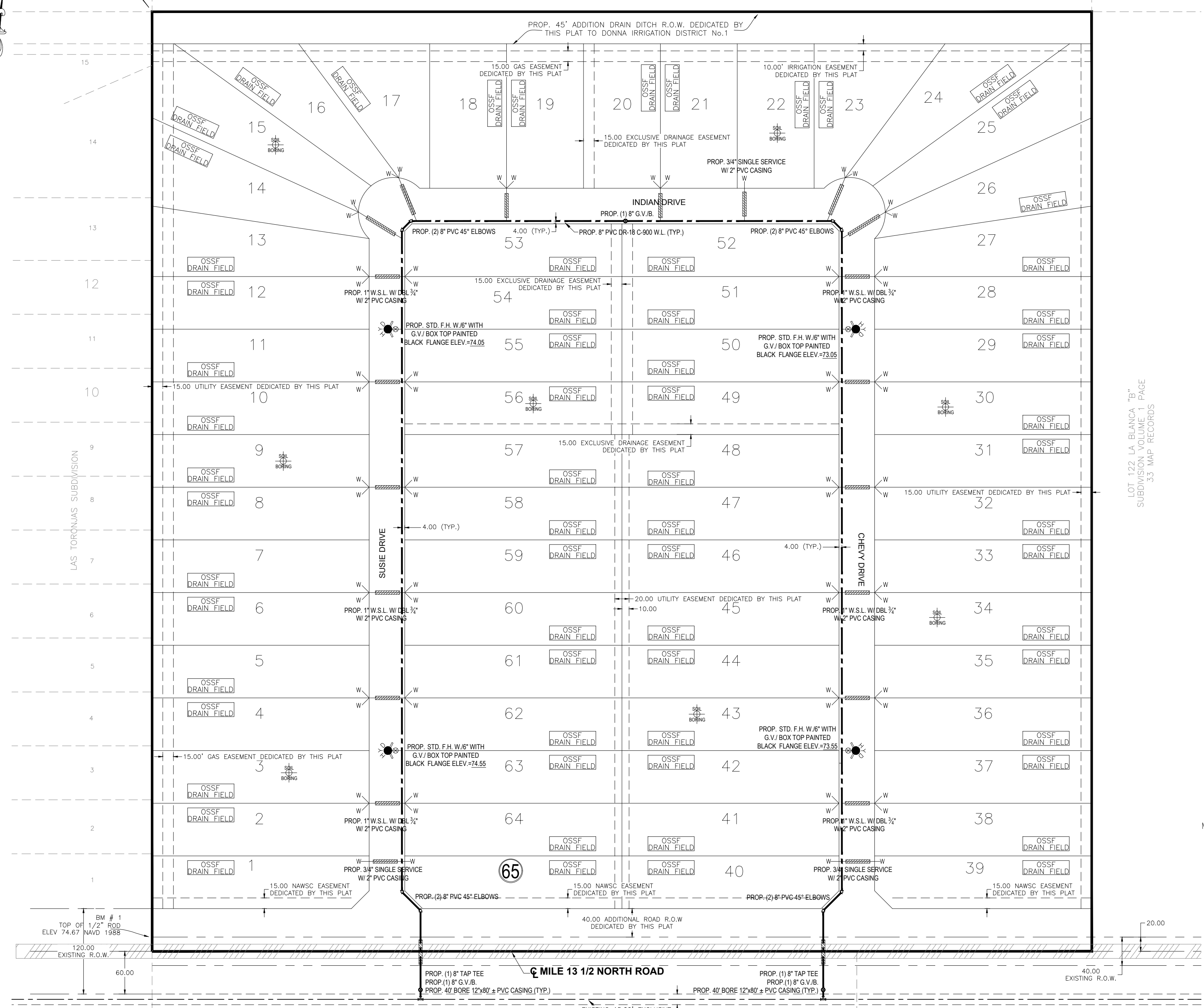
CURVE	ARC LENGTH	RADIUS	DELTA ANGLE	CHORD BEARING	CHORD LENGTH
C1	41.24'	50.00'	47°15'43"	S 22°30'42" E	40.08'
C2	41.96'	50.00'	48°04'44"	S 25°09'31" W	40.74'
C3	41.61'	50.00'	47°41'14"	S 73°02'29" W	40.42'
C4	33.26'	50.00'	38°07'06"	N 64°03'21" W	32.65'
C5	33.26'	50.00'	38°07'06"	S 62°54'59" W	32.65'
C6	41.61'	50.00'	47°41'14"	N 74°10'51" W	40.42'
C7	41.96'	50.00'	48°04'44"	N 26°17'53" W	40.74'
C8	41.24'	50.00'	47°15'43"	N 21°22'21" E	40.08'

INDEX TO SHEETS OF VALLE MESA ESTATES SUBDIVISION	
SHEET 1	HEADING; INDEX; LOCATION MAP; AND ETC. PRINCIPAL CONTACTS; PLAT WITH LOT, STREETS, AND EASEMENT DESIGNATIONS; LEGAL DESCRIPTION (METES AND BOUNDS); SURVEYOR'S AND ENGINEER'S CERTIFICATION; PLAT NOTES AND RESTRICTIONS; OWNER'S DEDICATION, CERTIFICATION, AND ATTESTATION; COUNTY CLERK'S RECORDING CERTIFICATE; HIDALGO COUNTY JUDGE CERTIFICATE OF PLAT APPROVAL; DESCRIPTION OF LOCATION OF SUBDIVISION WITH RESPECT TO THE E.T.J. OF A MUNICIPALITY AND DESIGNATION OF THE PRECINCT THE PROJECT IS SITUATED, H.C.D.D. NO. 1 CERTIFICATION; H&CDD#9 AND H.C.H.D. REVISION NOTES.
SHEET 2	WATER DISTRIBUTION AND OSSF MAP; TYPICAL WATER SERVICE CONNECTION; REVISION NOTES, ENGINEERING REPORT (ENGLISH AND SPANISH VERSION), INCLUDING DESCRIPTION OF WATER AND OSSF AND ENGINEER'S CERTIFICATION (ENGLISH AND SPANISH VERSION), OWNER'S DEDICATION, CERTIFICATION, AND ATTESTATION; TYPICAL WATER SERVICE CONNECTION
SHEET 3	DRAINAGE REPORT INCLUDING DESCRIPTION OF DRAINAGE AND HOW IT WILL SERVE THIS DEVELOPMENT; MAP OF TOPOGRAPHY AND DRAINAGE, AND ENGINEER'S CERTIFICATION; REVISION NOTES; & CONSTRUCTION DETAILS.

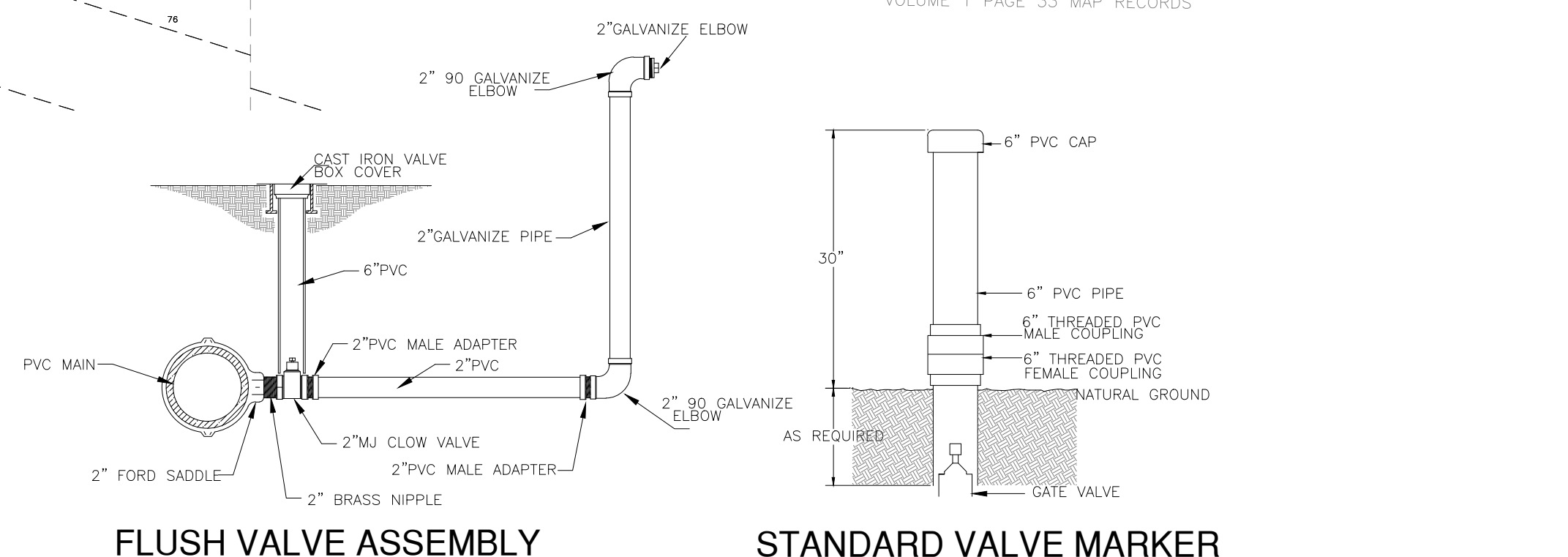
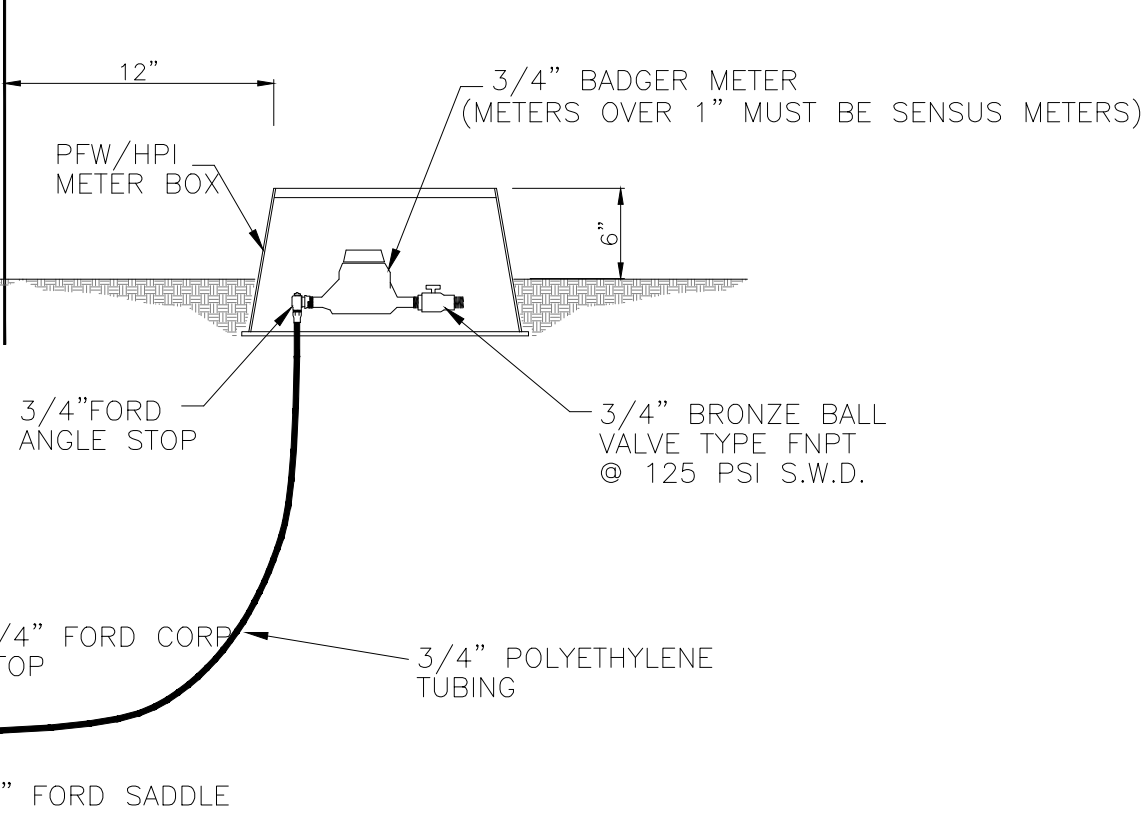
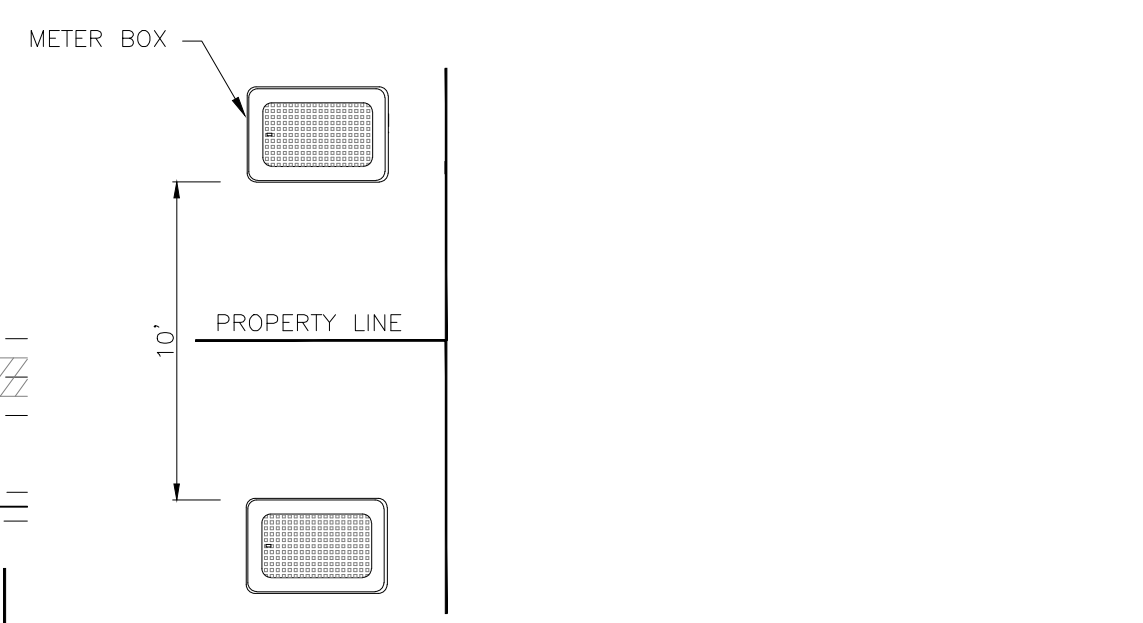
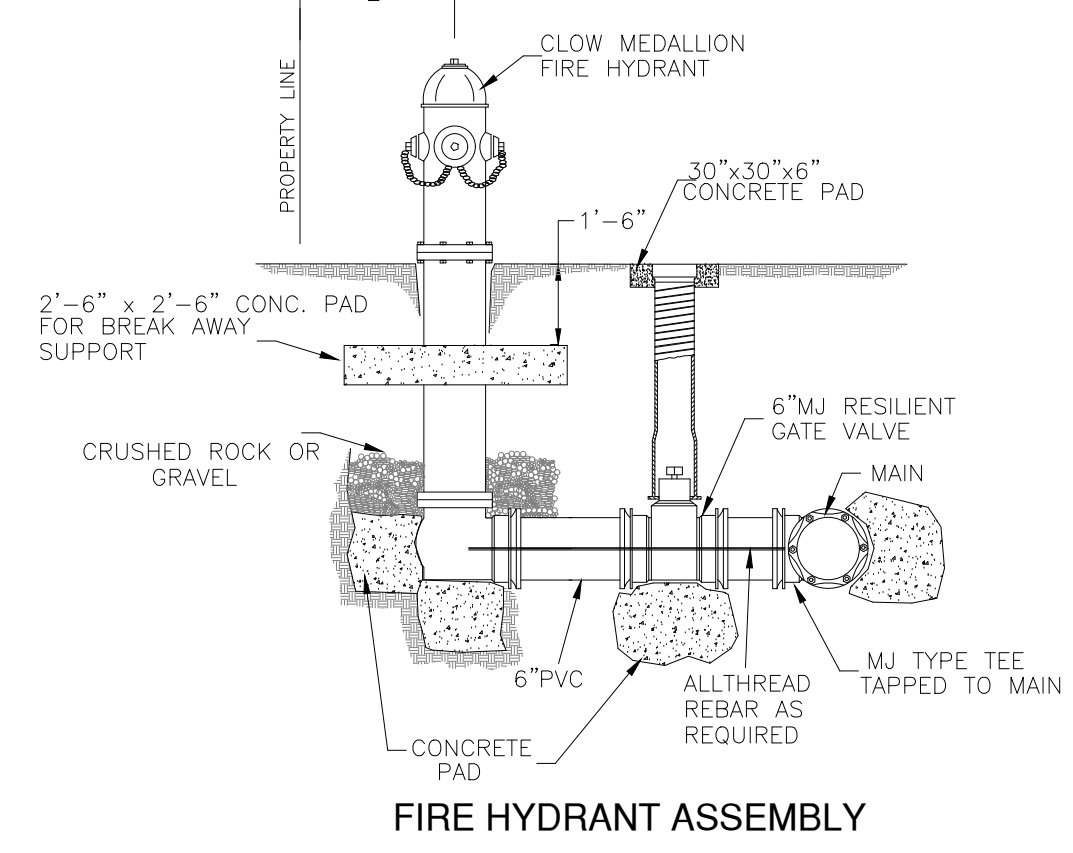
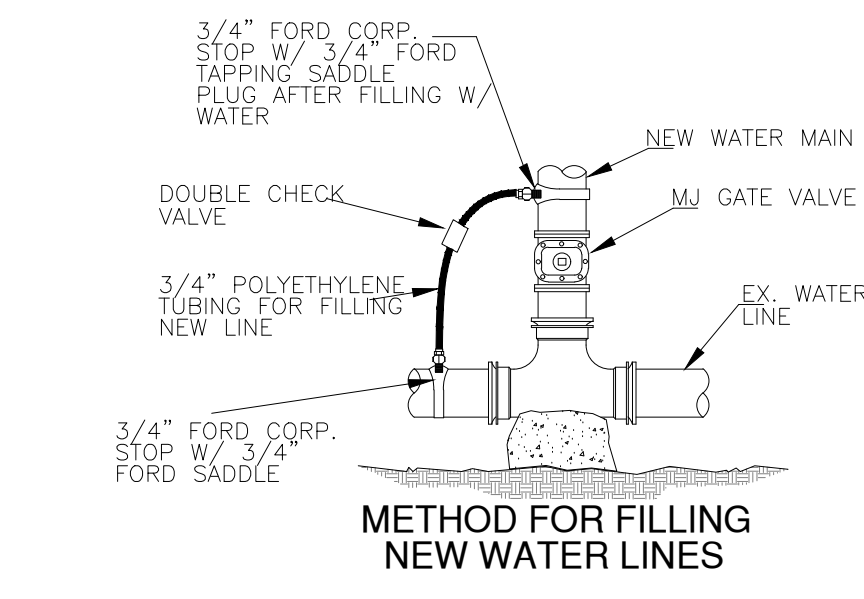
SHEET 1 OF 3

PRINCIPAL CONTACTS:					
OWNER:	Name	Address	City & Zip	Phone	Fax
	KYNDEL W. BENNETT, BENNETT-FLORES INVESTMENTS, LLC.	P.O. BOX 365	LA BLANCA 78558	(956) 464-4431	(956) 464-2597
ENGINEER:	KAMBIZ S. KHADEMI P.E.	410 E. DOVE AVE.	McALLEN 78504	(956) 630-2125	(956) 630-2219
SURVEYOR:	JOSE MARIO GONZALEZ R.P.L.S.	24593 FM88	MONTE ALTO 78538	(956) 380-5154	(956) 380-5156

K K Engineering Consultant
GENERAL PROFESSIONAL CIVIL ENGINEERING SERVICES
410 E. DOVE (FIRM REGISTRATION #1334)
P.O. BOX 3422 MCALEN, TEXAS 78502
(956) 630-2125 FAX (956) 630-2219



LOT 122 LA BLANCA "B" SUBDIVISION VOLUME 1 PAGE 33 MAP RECORDS



LEGEND

- asphalt surface
- conc. surface
- guy
- light pole
- power pole
- sign
- tel. pole
- water meter
- fd cps
- fd rod
- on
- off
- over head power lines
- chain link fence

CONSTRUCTION COST ESTIMATE:

1-WATER:	\$
2-OSSF:	\$97,500.00
3-PAVING:	\$
4-DRAINAGES:	\$
TOTAL:	\$

FINAL WATER AND SEWER ENGINEERING REPORT

WATER SUPPLY: DESCRIPTION, COST, AND OPERABILITY DATE:
 VALLE MESA ESTATES SUBDIVISION HAS BEEN PROVIDED WITH POTABLE WATER BY NORTH ALAMO WATER SUPPLY CORPORATION (N.A.W.S.C.). THE SUBDIVIDER AND N.A.W.S.C. HAVE ENTERED INTO A CONTRACT IN WHICH N.A.W.S.C. HAS PROMISED TO PROVIDE SUFFICIENT WATER TO THE SUBDIVISION FOR AT LEAST 30 YEARS AND N.A.W.S.C. HAS PROVIDED DOCUMENTATION TO SUFFICIENTLY ESTABLISH THE LONG TERM QUANTITY AND QUALITY OF THE AVAILABLE WATER SUPPLIES TO SERVE THE FULL DEVELOPMENT OF THIS SUBDIVISION. N.A.W.S.C. HAS ONE EXISTING 8" WATER LINE WITHIN A 15 FOOT NAWSC EASEMENT ALONG THE SOUTH SIDE OF MILE 13 1/2 NORTH ROAD FROM THIS PREVIOUSLY MENTIONED 8" WATERLINE. THREE PROPOSED 8" WATER LINES WILL BE LOOPED/INSTALLED AND EXTENDED THROUGH OUT THE PROPOSED ROW OF SUSIE DRIVE, INDIAN DRIVE AND CHEVY DRIVE.

WATER DISTRIBUTION FOR THE VALLE MESA ESTATES SUBDIVISION CONSISTS OF THIRTY (30)-1" DIAMETER DUAL SERVICE LINES, FIVE (5) 3/4" SINGLE SERVICE LINES. THE 8" WATERLINES, THE DUAL SERVICE LINES, THE METER BOXES & LOCKS HAVE ALREADY BEEN INSTALLED. AT A TOTAL COST OF \$_____ PER LOT. IN ADDITION, THE SUBDIVIDER HAS PAID N.A.W.S.C. THE SUM OF \$_____ WHICH COVERS THE \$_____ COST PER LOT AS STATED IN THE 30 YEAR WATER SERVICE AGREEMENT WHICH SUM REPRESENTS THE TOTAL COST OF WATER METER, RIGHTS ACQUISITION FEES, AND ALL MEMBERSHIP OR OTHER FEES ASSOCIATED WITH CONNECTING THE INDIVIDUAL LOTS IN THE SUBDIVISION TO N.A.W.S.C. UPON REQUEST BY THE LOT OWNER, N.A.W.S.C. WILL PROMPTLY INSTALL AT NO CHARGE THE WATER METER FOR THAT LOT. THE SUBDIVIDER HAS INSTALLED 4 FIRE HYDRANTS AT A UNIT COST OF \$_____ FOR A TOTAL COST OF \$_____. THE ENTIRE WATER FACILITIES HAVE BEEN APPROVED AND ACCEPTED BY N.A.W.S.C. AND SAID DISTRIBUTION SYSTEM IS OPERABLE AS OF THE DATE OF THE RECORDING OF THE PLAT.

SEWAGE FACILITIES DESCRIPTION: COST AND OPERABILITY DATES
 SEWAGE FROM VALLE MESA ESTATES SUBDIVISION WILL BE TREATED BY INDIVIDUAL ON-SITE SEWAGE FACILITIES (OSSF) CONSISTING OF A STANDARD DESIGN DUAL COMPARTMENTS SEPTIC TANK AND A DRAIN FIELD ON EACH LOT. JOSE A. GONZALEZ SITE EVALUATOR REG.# 122758, HAS EVALUATED THE SUITABILITY OF THE SUBDIVISION SITE FOR OSSF AND SUBMITTED A REPORT CONCLUDING THAT THE SITE IS SUITABLE FOR OSSF. THE REPORT WAS REVIEWED AND APPROVED BY THE HIDALGO COUNTY HEALTH DEPARTMENT. EACH LOT HAS ADEQUATE AREA FOR A REPLACEMENTS DRAIN FIELD.

EACH LOT IN THE PROPOSED SUBDIVISION IS AT LEAST 1/2 ACRE IN SIZE. THE NATURAL RESOURCE CONSERVATION SERVICE SOUL SURVEY BOOK INDICATED A SANDY CLAY LOAM SOIL FOR THE AREA. TOTAL OF 8 BORES WERE DONE (ADDITIONAL BORINGS WERE UNNECESSARY BECAUSE THE SOILS ARE VERY UNIFORM WITHIN THIS LIMIT AREA). THE SOIL IS A UNIFORM (28) SANDY CLAY LOAM EXTENDING UP TO 36" BELOW THE BOTTOM OF ANY PROPOSED EXCAVATIONS. THERE IS NO INDICATION OF GROUNDWATER OR A RESTRICTIVE LAYER WITHIN 24" OF BOTTOM OF THE PROPOSED EXCAVATIONS. THE SUBDIVISION DRAINS WELL.

THE COST OF THE INSTALLATION OF THE SEPTIC SYSTEM ON AN INDIVIDUAL LOT WAS \$1,500.00 INCLUDING THE COST FOR THE REQUIRED PERMIT AND LICENSE. ALL OSSF'S HAVE BEEN INSTALLED AND FINALIZED AT THIS TIME AT A TOTAL COST OF \$97,500.00 THE HIDALGO COUNTY HEALTH DEPARTMENT HAS INSPECTED AND APPROVED THE INSTALLATION OF ALL OSSF'S.

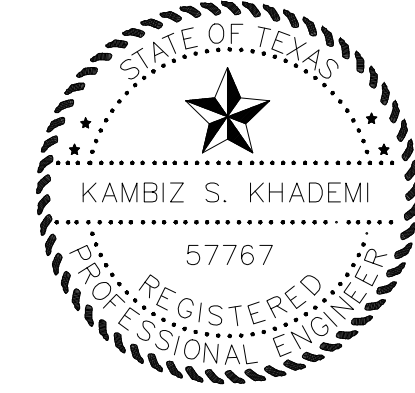
ENGINEER CERTIFICATION:
 BY MY SIGNATURE BELOW, I CERTIFY THAT THE WATER AND SEWER SERVICE FACILITIES DESCRIBED ABOVE ARE IN COMPLIANCE WITH THE MODEL RULES ADOPTED UNDER SECTION 16.343, WATER CODE. I CERTIFY THAT THE COST TO INSTALL THE WATER DISTRIBUTION SYSTEM AND ONSITE SEWAGE FACILITIES, DISCUSSED ABOVE, ARE AS FOLLOWS:

WATER FACILITIES - THESE FACILITIES FULLY CONSTRUCTED, WITH THE INSTALLATION OF WATER METERS, WILL COST A GRAND TOTAL OF \$_____ WHICH EQUALS TO \$_____ PER LOT.

SEWAGE FACILITIES - SEPTIC SYSTEM HAS BEEN INSTALLED AT A TOTAL COST OF \$1,500.00 PER LOT (ALL INCLUSIVE), FOR A TOTAL OF \$97,500.00 FOR THE ENTIRE SUBDIVISION.

KAMBIZ S. KHADEMI, PE
 P.E. # 57767

DATE _____



PROVISIÓN DE AGUA: DESCRIPCIÓN, GASTOS Y FECHAS DE INICIO
 VALLE MESA ESTATES SUBDIVISION HA SIDO PROVEIDA DE AGUA POTABLE POR NORTH ALAMO WATER SUPPLY CORP. (N.A.W.S.C.). EL DUENO Y N.A.W.S.C. HAN HECHO UN CONTRATO EN CUAL N.A.W.S.C. HA PROMETIDO PROPORCIONAR SUFICIENTE AGUA A LA SUBDIVISION DURANTE AL MENOS 30 AÑOS Y N.A.W.S.C. HA PROPORCIONADO LA DOCUMENTACION PARA ESTABLECER SUFICIENTEMENTE LA CANTIDAD Y LA CALIDAD DE LOS ABASTECIMIENTOS DE AGUA DISPONIBLES PARA SERVIR EL DESARROLLO LLENO DE ESTA SUBDIVISION. N.A.W.S.C. TIENE UNA LINEA DE AGUA DE 8 PULGADAS DE DIAMETRO A LADO SUR DE LA CALLE MILLA 13 1/2 NORTH A LO LARGO DE UN DERECHO DE PASO DE 15 PIES DE NAWSC. DOS LINEAS DE 8 PULGADAS SERAN INSTALADAS POR LAS CALLES SUSIE DRIVE, INDIAN DRIVE Y LA CALLE CHEVY DRIVE.

DISTRIBUCIÓN DE AGUA PARA VALLE MESA ESTATES SUBDIVISION CONSISTE EN TREINTA (30) LINEAS DE 1" DIAMETRO DE SERVICIO DUAL, Y CINCO (5) LINEAS DE 3/4" DIAMETRO DE SERVICIO SENCILLO CUALES TERMINAN EN LAS CAJAS DEL MEDIDOR CON CANDADOS DE CADA SOLAR. LAS LINEAS DE SERVICIO DUAL Y SENCILLOS DE 3/4" Y LAS CAJAS DEL MEDIDOR HAN SIDO INSTALADAS A UN COSTO TOTAL DE \$_____ O \$_____ POR LOTE. EL DUERO DE LA SUBDIVISION TAMBIEN LE HA PAGADO A LA COMPANIA N.E.W.S.C. \$_____ DE ACUERDO AL CONTRATO DE LA CARTA DE 30 AÑOS LA CUAL CUBRE EL COSTO DEL MEDIDOR MECANICO DE AGUA PARA CADA LOTE. \$_____ ESTE PRECIO INCLUYE EL COSTO DE LA INSTALACION DE CADA MEDIDOR Y LOS GASTOS DE CONEXION. CUANDO EL DUERO DE CADA LOTE SOLICITE UN MEDIDOR DE AGUA, LA COMPANIA N.E.W.S.C. LO INSTALARA SIN ALGUN GASTO AL DUERO. EL DUERO DE LA SUBDIVISION TAMBIEN HA INSTALADO 4 HYDRANTES (FIRE HYDRANT) A UN COSTO INDIVIDUAL DE \$_____ A UN COSTO TOTAL DE \$_____. EL SISTEMA DE AGUA ESTARA EN FUNCIONAMIENTO COMPLETO ANTES O EN LA FECHA, EN LA CUAL LA SUBDIVISION SEA REGISTRADA EN EL CONDADO DE HIDALGO.

DRENAJE: DESCRIPCIÓN, GASTOS Y FECHA DE INICIO PARA FACILITAR EL DRENAJE PARA LA SUBDIVISION
 SE INSTALARA UNA FOSA SEPTICA EN CADA SOLAR. ESTA FOSA SEPTICA CONSISTE DE UN TANQUE DE MODELO DUAL Y DE UN CAMPO DE DRENAJE PARA EL SOLAR. JOSE A. GONZALEZ EVALUADOR DE SUELOS REG.# 122758 HA AUTORIZADO ESTE DOCUMENTO HA EVALUADO EL AREA DONDE SE ENCUENTRA LA SUBDIVISION Y HA PREPARADO UN REPORTE QUE CONCLUYE QUE ESTE TERRENO ES ADECUADO PARA ESAS FOSAS SEPTICAS (OSSF). EL REPORTE FUE APROBADO POR EL DEPARTAMENTO DE SALUBRIDAD DEL CONDADO DE HIDALGO (HIDALGO COUNTY HEALTH DEPARTMENT) SEGUN EL REPORTE.

CADA LOTE EN LA SUBDIVISION MIDE MEDIO ACRE. SE HICIERON 8 EXCAVACIONES DE EVALUACION DE SUELO EN LUGARES OPUESTOS EN LA SUBDIVISION (EXCAVACIONES ADICIONALES NO FUERON NECESARIAS PORQUE EL TERRENO EN ESTA AREA ES SIGNIFICATIVAMENTE UNIFORME). EL TERRENO ES UNIFORME (TERRENO ARCILLOSO Y SUELO FRANCO) Y SE EXTIENDE A 36 PULGADAS BAJO TODAS LAS EXCAVACIONES PROPUESTAS. NO EXISTE EVIDENCIA DE AGUA 24 PULGADAS MAS ARRIBA DE LO MAS BAJO DE LAS EXCAVACIONES PROPUESTAS. EL AGUA EN ESTA AREA FLUYE BIEN.

EL COSTO TOTAL PARA LA INSTALACION DE UN SISTEMA INDIVIDUAL DE FOSAS SEPTICAS POR SOLAR SON \$1,500.00 DOLARES, INCLUYENDO EL COSTO DEL PERMISO REQUERIDO Y LICENCIA. EN ESTOS MOMENTOS TODAS LAS FOSAS SEPTICAS HAN SIDO INSTALADAS EN EL PROCESO DE LA APROBACION FINAL A UN COSTO TOTAL DE \$97,500.00. EL DEPARTAMENTO DE SALUBRIDAD DEL CONDADO DE HIDALGO HA INSPECCIONADO TODOS LAS FOSAS SEPTICAS Y AH APROBADO LA INSTALACION DEL SISTEMA DE FOSAS SEPTICAS.

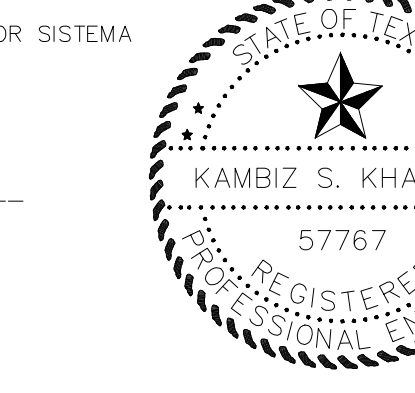
CERTIFICACION:
 CON MI FIRMA, CERTIFICO QUE LOS SERVICIOS Y SISTEMAS DE AGUA Y DE DRENAJE, DESCRITOS EN ESTE DOCUMENTO CUMPLEN CON LAS MODEL SUBDIVISION RULES (LAS REGLAS GOBERNANDO A LAS SUBDIVISIONES), ADOPTADAS EN LA SECCION 16.343 DEL TEXAS WATER CODE (CODIGO DE AGUA DE TEXAS). CERTIFICO QUE LOS GASTOS PARA INSTALAR LOS SISTEMAS DE AGUA Y DE DRENAJE SON:

AGUA: EL SISTEMA/SERVICIO DE AGUA SERA INSTALADO Y COMPLETAMENTE CONSTRUIDO MENOS EL MEDIDOR MECANICO DE AGUA QUE COSTARA UN TOTAL DE \$_____ O \$_____ POR LOTE

DRENAJE: SE ESTIMA QUE LA FOSA SEPTICA COSTARA \$1,500.00 POR SISTEMA A UN COSTO TOTAL DE \$97,500.00 TODA LA SUBDIVISION.

KAMBIZ S. KHADEMI, PE
 P.E. # 57767

DATE _____



SUBDIVIDER CERTIFICATION:
 1-BY COMPLETING THE IMPROVEMENTS DESCRIBED ON THE PLAT, SUBDIVIDER WILL COMPLY WITH MINIMUM STATE STANDARDS AND THAT (a)WATER QUALITY AND CONNECTIONS INCLUDING WATER METERS TO THE LOTS MEET SUCH STANDARDS AND (b)SEWER CONNECTIONS TO THE LOTS OR SEPTIC TANKS MEET OR WILL MEET SUCH STANDARDS AND WILL BE CONSTRUCTED IN ACCORDANCE WITH STATE AND COUNTY REGULATIONS.

SUBDIVIDER STATEMENT:
 1-I, KYNDEL W. BENNETT, SUBDIVIDER OF VALLE MESA ESTATES SUBDIVISION HEREBY CERTIFY SEWER PERMITS HAVE BEEN PAID AND ARE ON FILE WITH HIDALGO COUNTY HEALTH DEPARTMENT AND THAT AN ADEQUATE DRINKING WATER SOURCE IS IMMEDIATELY AVAILABLE TO EACH LOT OF THE TYPE, QUALITY AND QUANTITY TO ENABLE EACH PERSON PURCHASING A LOT TO HAVE ADEQUATE WATER TO COMPLY WITH THE REGULATIONS AND LAWS OF THE STATE REQUIRED BY STATE AND COUNTY REGULATIONS.

OWNER: _____

DATE _____

VALLE MESA ESTATES, L.P.
 A TEXAS LIMITED PARTNERSHIP
 BY VALLE MESA ESTATES GP, L.L.C.,
 A TEXAS LIMITED LIABILITY COMPANY
 GENERAL PARTNER
 KYNDEL W. BENNETT, PRESIDENT
 BOX 365
 LA BLANCA, TX 78658

STATE OF TEXAS
 COUNTY OF HIDALGO

BEFORE ME, THE UNDERSIGNED AUTHORITY, ON THIS DAY PERSONALLY APPEARED KYNDEL W. BENNETT, KNOWN TO ME BY THE PERSON WHOSE NAME IS SUBSCRIBED TO THE FOREGOING INSTRUMENT AND ACKNOWLEDGED TO ME THAT HE EXECUTED THE SAME FOR PURPOSED AND CONSIDERATION THEREIN STATED, GIVEN UNDER MY HAND AND SEAL OF OFFICE THIS TIME _____ DAY OF _____, 20____.

NOTARY PUBLIC
 MY COMSTUART EXPIRES _____

BY _____ DATE _____

REVISION _____

K K Engineering Consultant
 GENERAL PARTNER
 (FIRM REGISTRATION #1334)
 P.O. BOX 1422
 MEALLEN, TEXAS 78602
 (817) 505-2105
 (817) 505-2219

DRAWING DATE: JUNE, 2019

RELEASE DATE: _____

DESIGNED BY: K.K.

DRAWN BY: F.D.

CHECKED BY: K.K.

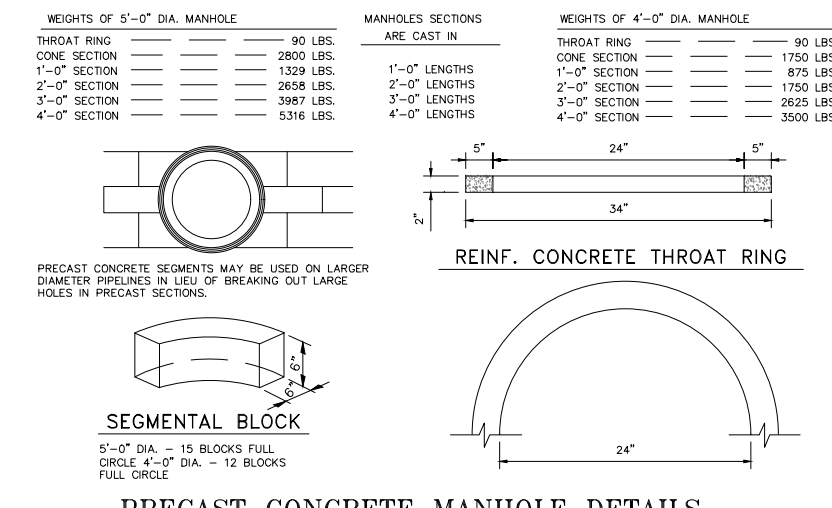
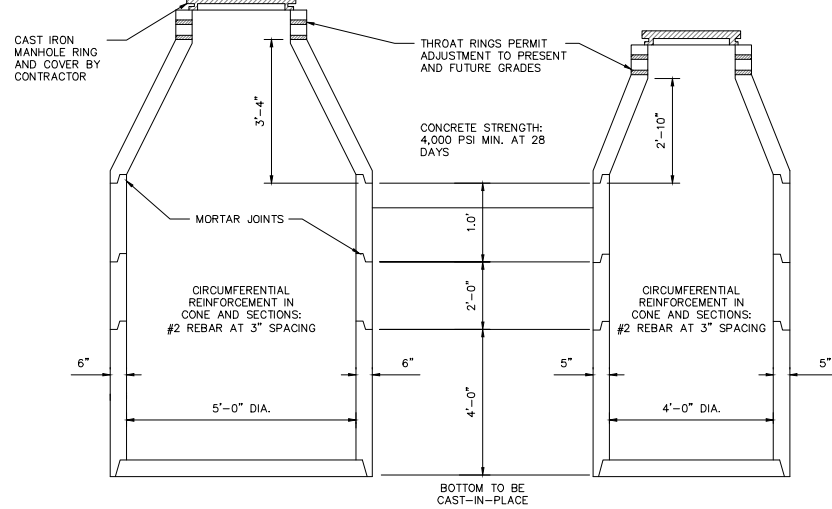
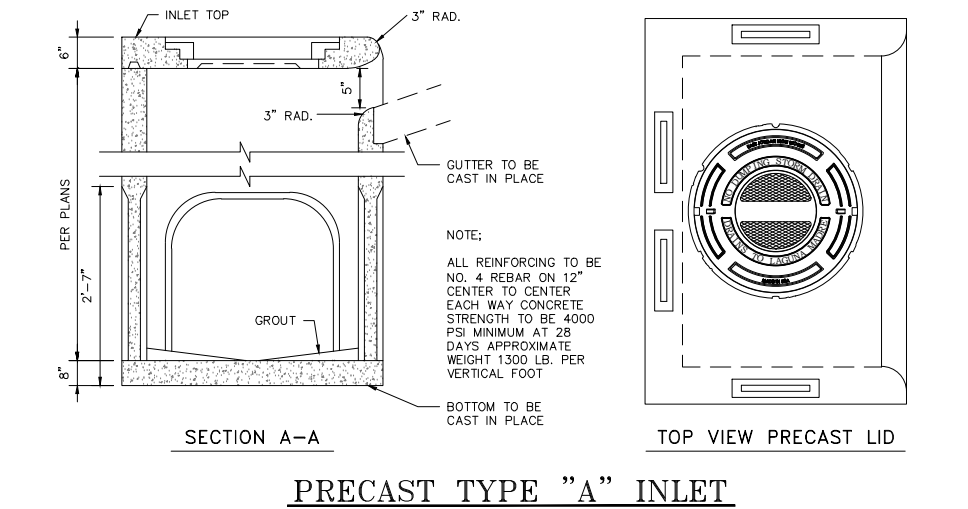
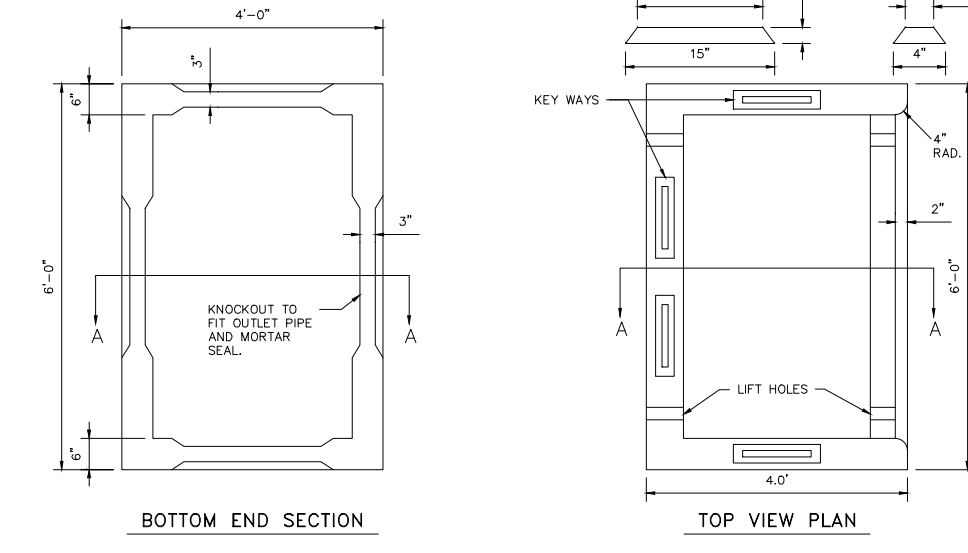
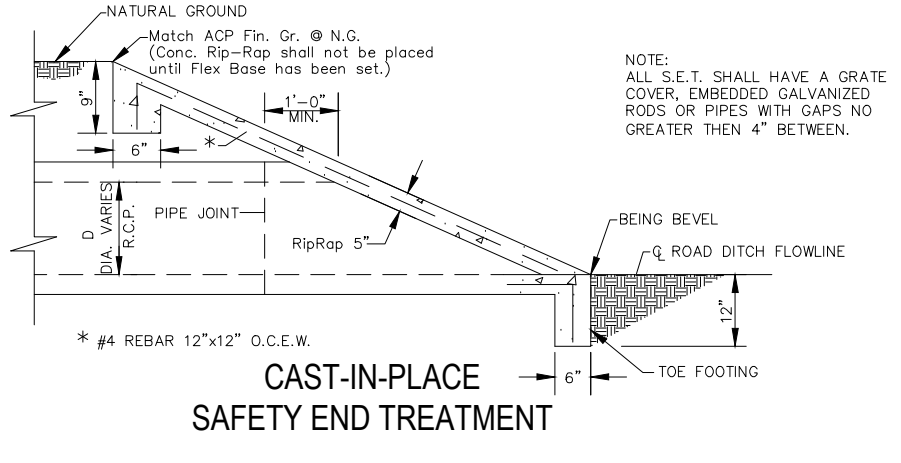
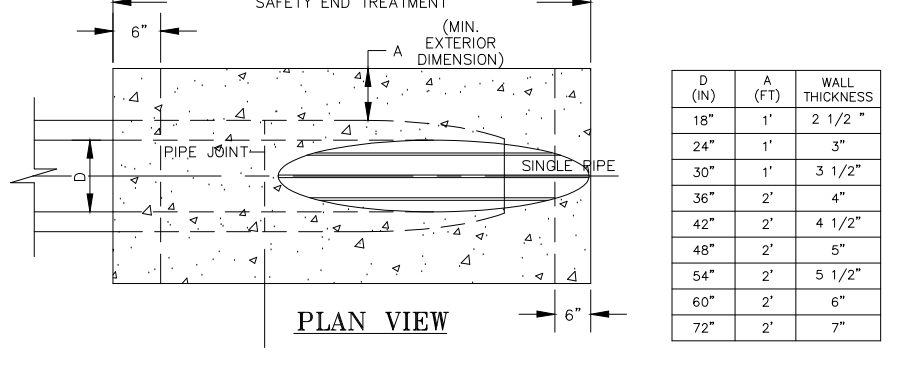
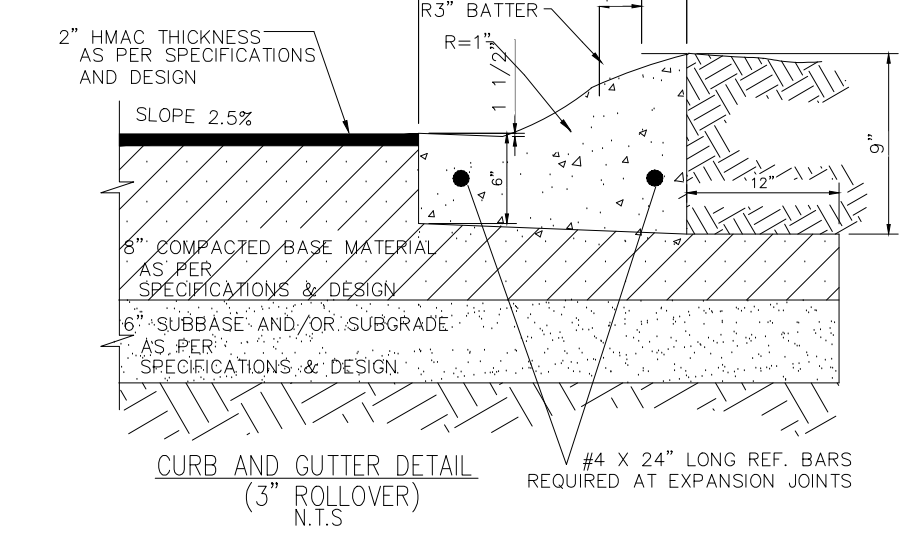
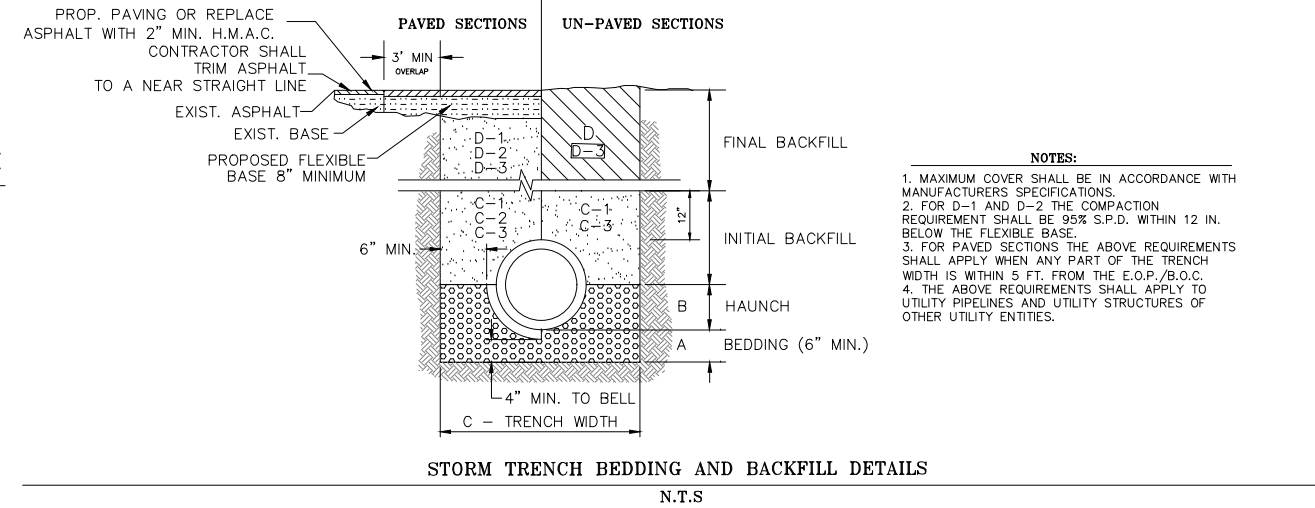
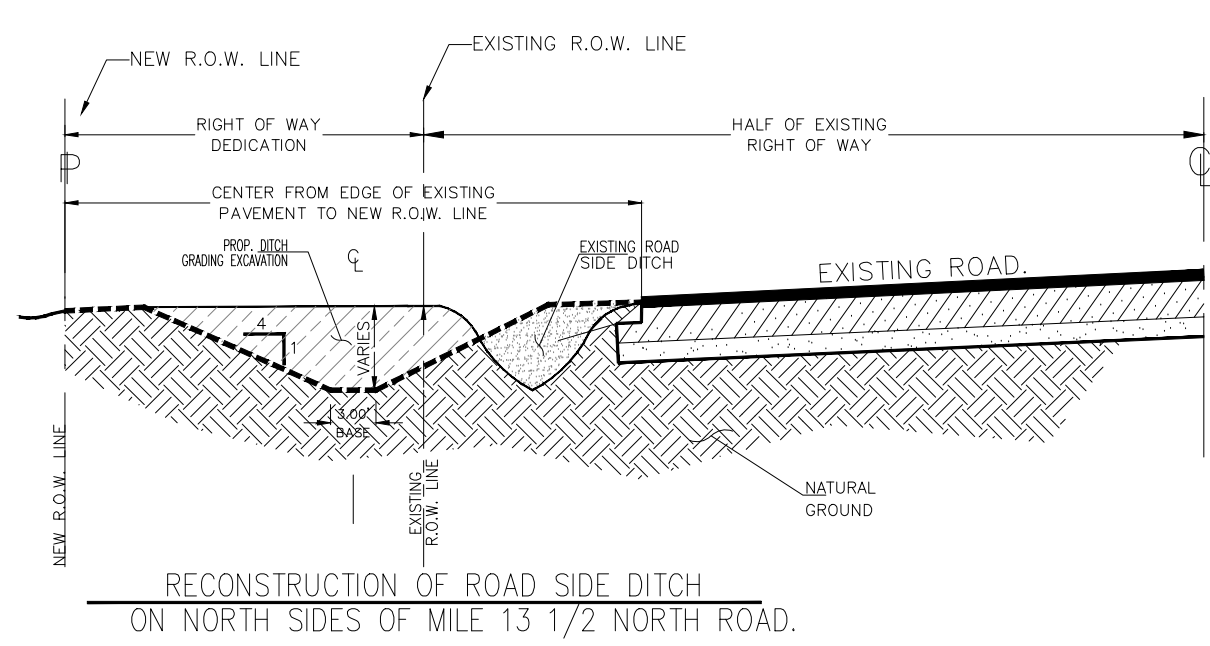
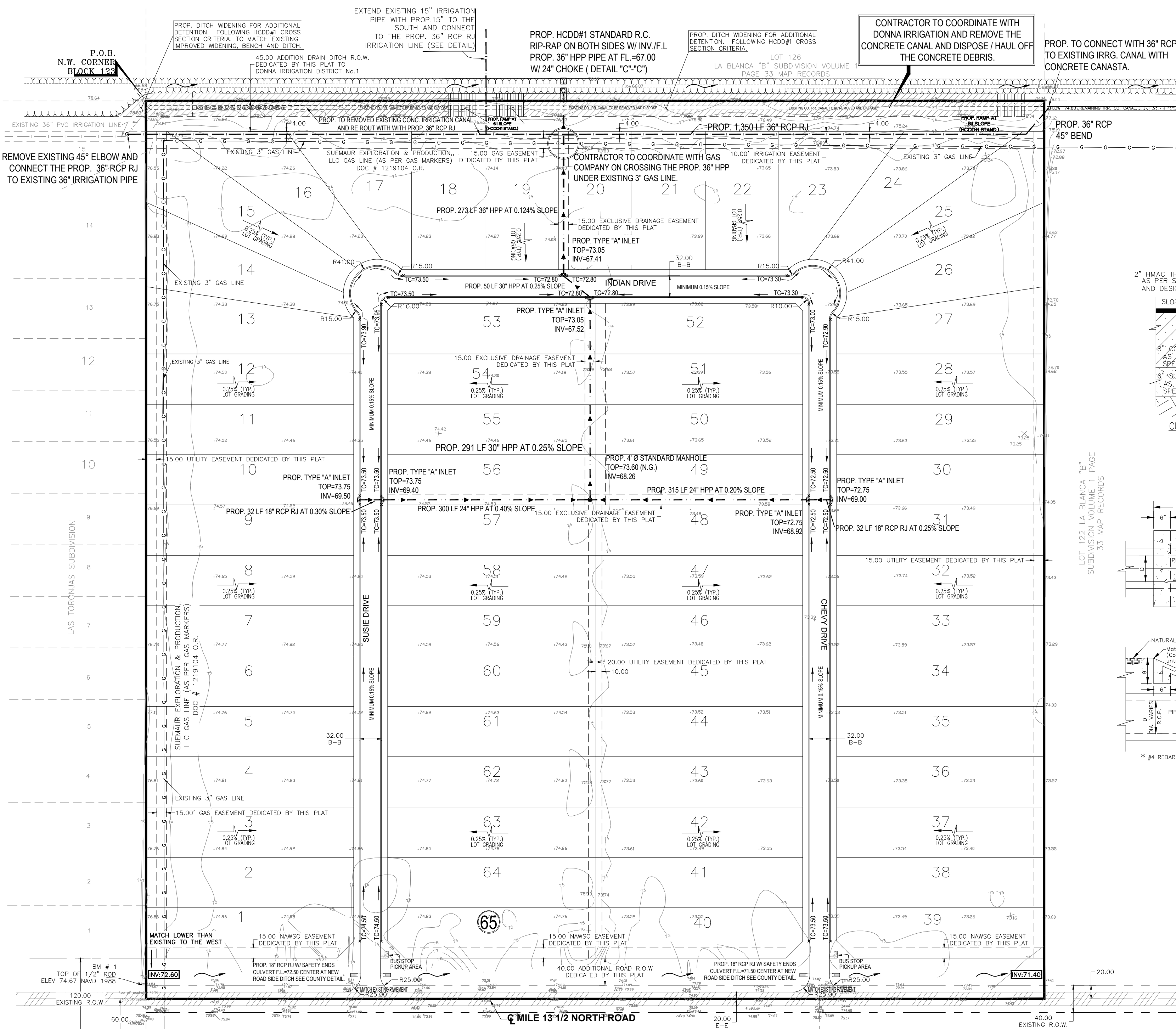
UPDATED DWG. BY: _____

SCALE: 1"= 100'

THE SEAL APPEARING ON THIS DOCUMENT WAS AUTHORIZED BY KAMBIZ S. KHADEMI, P.E. 57767 JUNE 7, 2019 ALTERATION OF A SEALED DOCUMENT WITHOUT PROPER NOTIFICATION TO THE RESPONSIBLE ENGINEER IS AN OFFENSE UNDER THE TEXAS ENGINEERING PRACTICE LAW

VALLE MESA ESTATES SUBDIVISION
 HIDALGO COUNTY
 DONNA ETJ

EXISTING TOPO AND PROPOSED WATER IMPROVEMENTS (NAWSC) AND SEPTIC TANKS
 VALLE MESA ESTATES SUBD.



PRECAST CONCRETE MANHOLE DETAILS

(MH) = SYMBOL FOR STORM DRAINAGE MANHOLE

DRAINAGE REPORT FOR VALLE MESA ESTATES SUBDIVISION

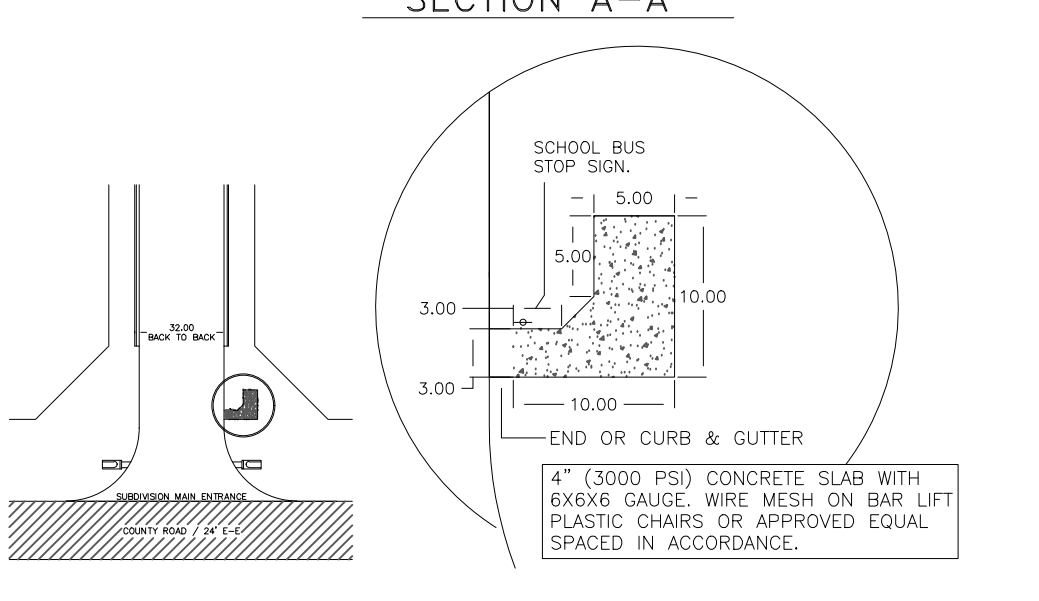
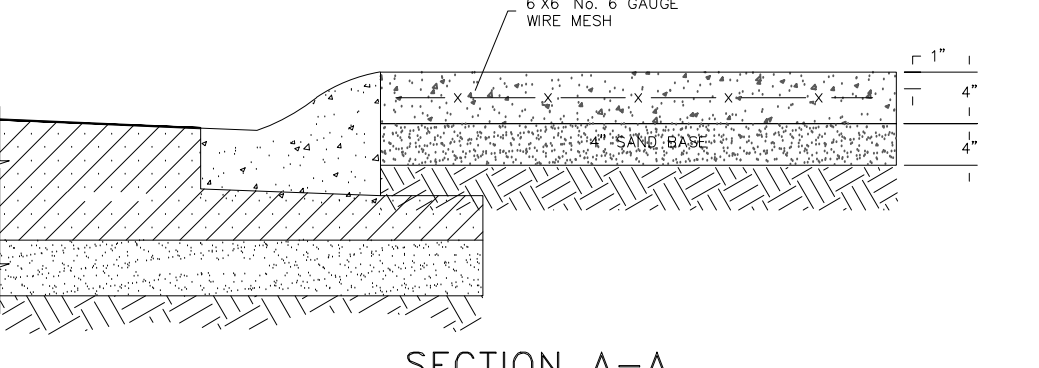
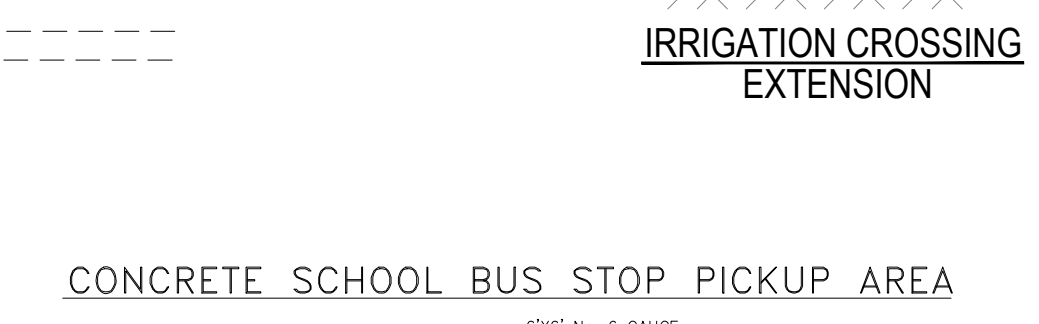
I. PROJECT LOCATION
A 40.00 ACRE TRACT OF LAND ALL OF BLOCK 123, LA BLANCA AGRICULTURAL COMPANY'S SUBDIVISION "B", ACCORDING TO THE MAP RECORDED IN VOLUME 1, PAGE 33, MAP RECORDS, HIDALGO COUNTY, TEXAS, AND IS LOCATED ON THE NORTH SIDE MILE 13 1/2 NORTH ROAD, APPROXIMATE 1.320 FEET WEST OF FM 493 AND IS LOCATED IN THE COUNTY OF HIDALGO AND LIES WITHIN THE E.T.J. OF DONNA.

II. FLOOD PLAIN
THE SUBJECT TRACT LIES IN ZONE "C", AREAS OF MINIMAL FLOODING, F.E.M.A.-FIRM, MAP NO. 480334 0425 C, MAP REVISED NOVEMBER 16, 1982.

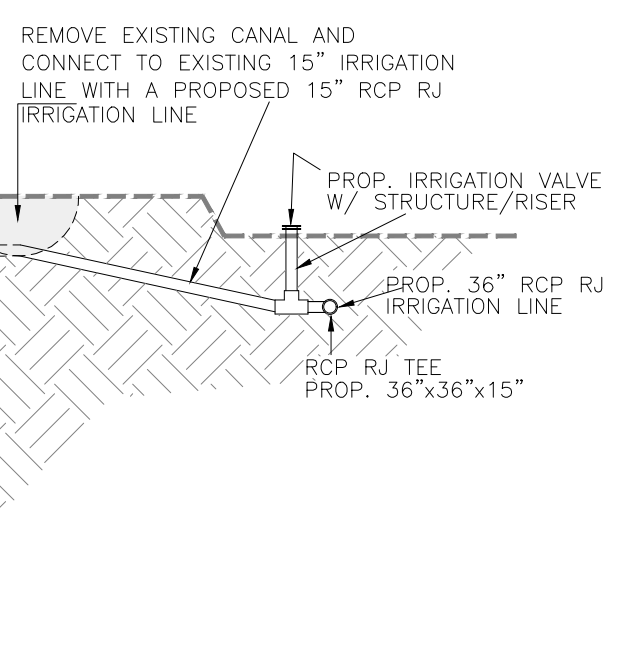
III. SOIL CONDITIONS
A REVIEW OF THE SOIL SURVEY OF HIDALGO COUNTY INDICATES THE SUBJECT TRACT LIES IN AN AREA OF PREDOMINANTLY HIDALGO (S) SANDY CLAY LOAM SOIL THAT HAS A POOR LOW SHRINK-SWELL POTENTIAL AND IS LISTED IN HYDROLOGICAL GROUP B, AS WELL AS (S2) RAYMONDVILLE, GROUP D.

IV. EXISTING CONDITIONS
THE SUBJECT TRACT IS CURRENTLY UNDEVELOPED. THE EXISTING TERRAIN HAS A GRADE OF APPROXIMATELY (0.1%) EXISTING RUNOFF (15.22 CFS) FROM THE SITE IS BY FORM OF SHEET FLOW RUNS TOWARDS THE NORTH SIDE OF THIS TRACT, INTO DONNA IRRIGATION H.C. DIST. #1 DRAINAGE DITCH.

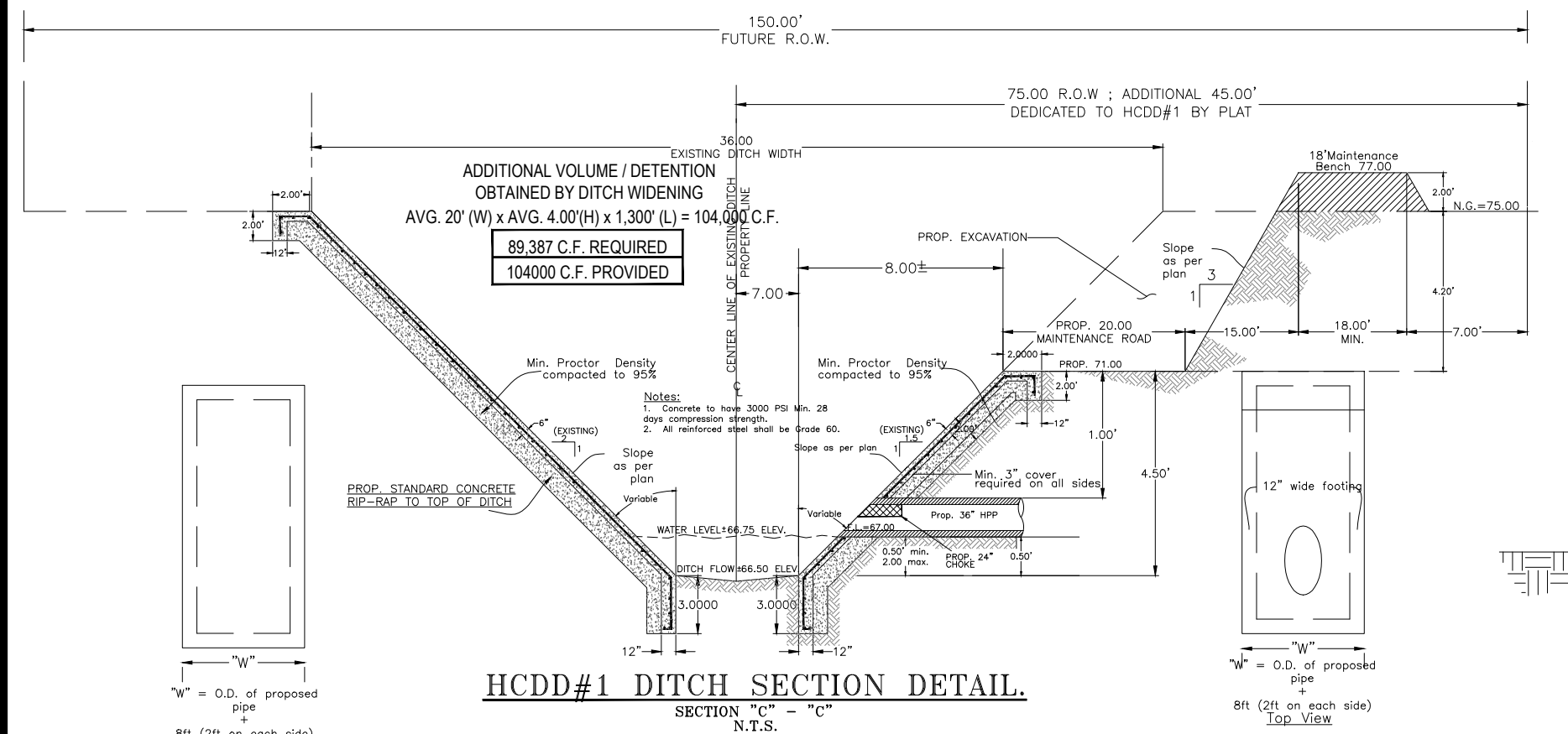
V. PROPOSED CONDITIONS
THE PROPOSED CONDITIONS FOR THIS SUBJECT TRACT IS FOR 65 LOTS FOR RESIDENTIAL USE. THE STORM RUNOFF AFTER DEVELOPMENT WILL INCREASE BY 13.18 CFS FOR A TOTAL 28.40 CFS FOR A 50 YEAR DESIGN FREQUENCY. IT HAS BEEN CALCULATED THAT 99.387 CF OF STORM RUNOFF FOR A 50 YEAR DESIGN FREQUENCY, WILL BE DETAILED BY WIDENING AN EXISTING DONNA IRRIGATION H.C. DIST. #1 DRAIN DITCH LOCATED ALONG THE NORTH SIDE OF THIS TRACT. THE STORM RUNOFF ON THE PROPOSED INTERIOR STREETS WILL BE DELIVERED BY A PROPOSED STORM SEWER PIPES AND CURB INLETS RANGING FROM 18" TO 36" PIPES, OUT-FALLING INTO SAID EXISTING DRAIN DITCH OWNED BY DONNA IRRIGATION H.C. DIST. #1.



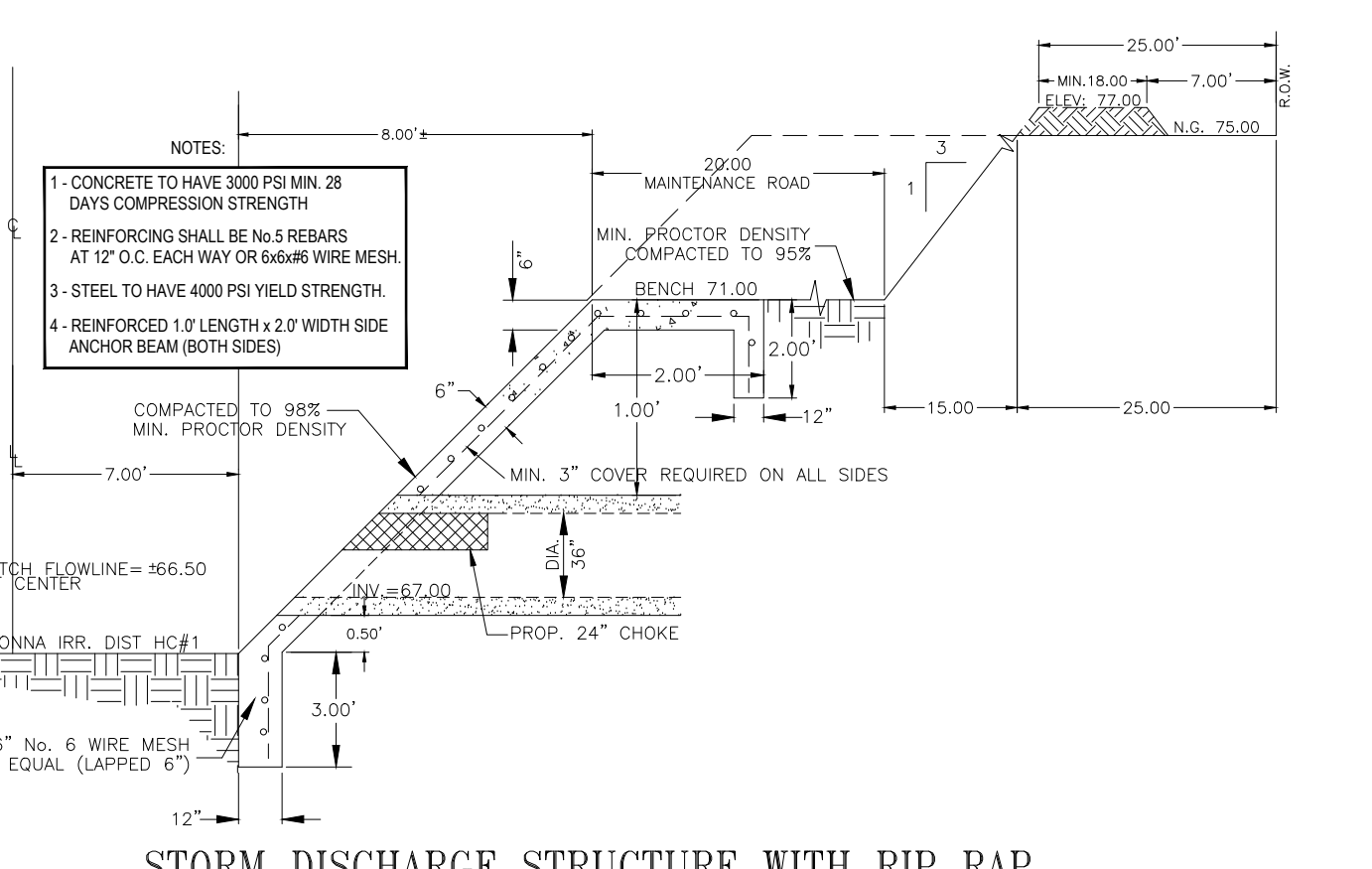
PLAN VIEW OF SCHOOL BUS STOP PICKUP AREA



IRRIGATION CROSSING EXTENSION

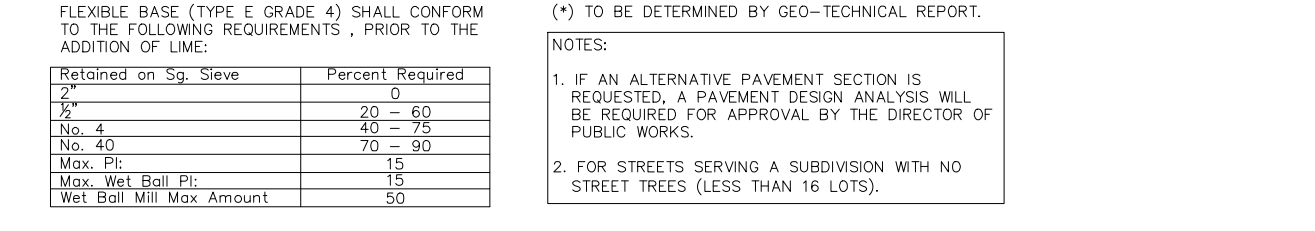


HCDD#1 DITCH SECTION DETAIL



STORM DISCHARGE STRUCTURE WITH RIP RAP

N.T.S.



MINOR RESIDENTIAL STREET SECTION

K K Engineering Consultant
GENERAL ENGINEERING AND ARCHITECTURE
(FIRM REGISTRATION #16354)
118 E. BOULEVARD
P.O. BOX 6422
MCALEEN, TEXAS 78502
(817) 635-2152
FAX (817) 635-2219

DRAWING DATE: JUNE, 2019
RELEASE DATE: JUNE, 2019
DESIGNED BY: K.K.
DRAWN BY: F.D.
CHECKED BY: K.K.
UPDATED DWG. BY:
SCALE: 1"=100'

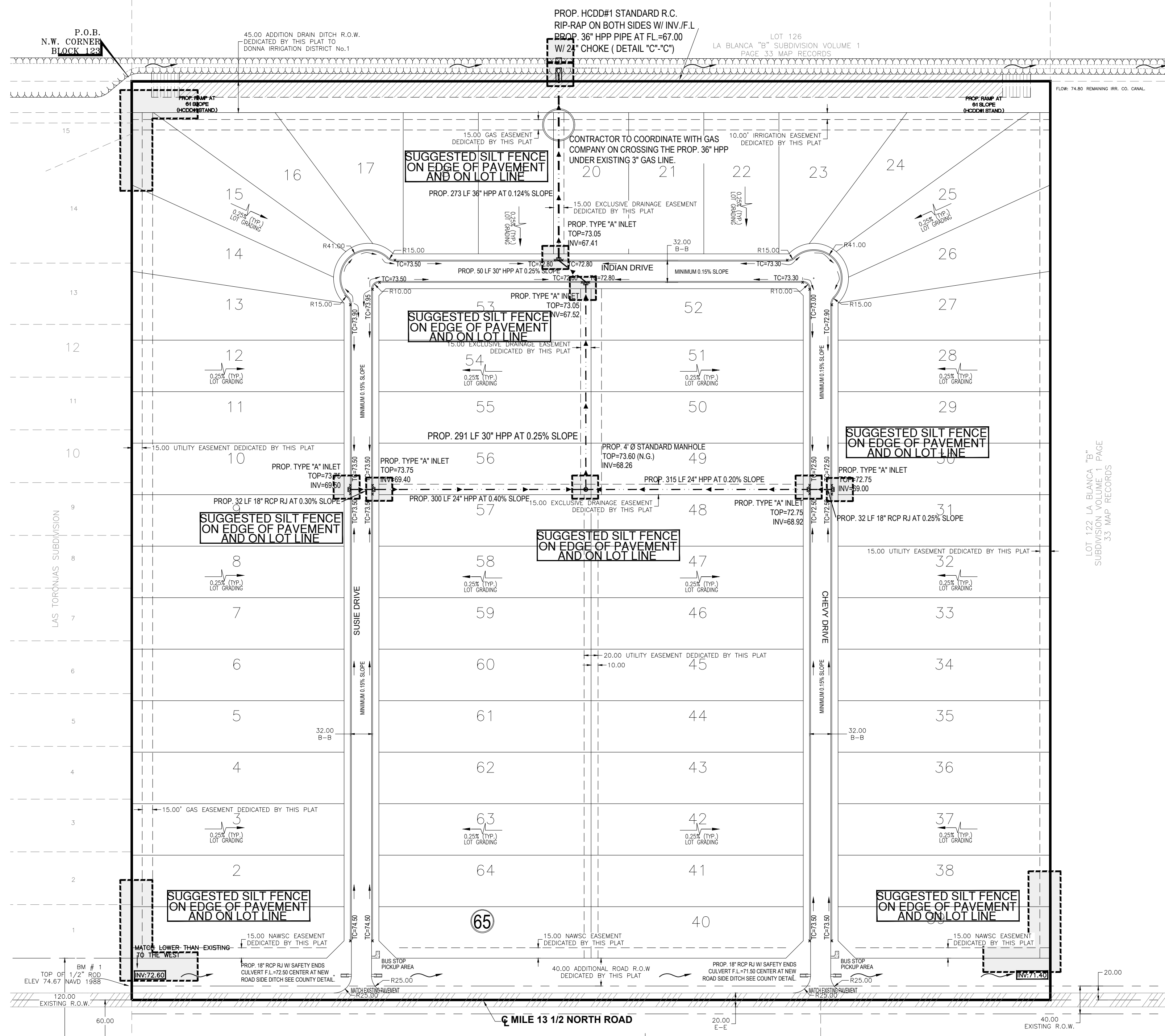
THE SEAL APPEARING ON THIS DOCUMENT WAS AUTHORIZED BY: KHAMIBZ S. KHADEMI, P.E. 57767
JUNE, 2019
ALTERATION OF A SEALED DOCUMENT WITHOUT PROPER NOTIFICATION TO THE RESPONSIBLE ENGINEER IS AN OFFENSE UNDER THE TEXAS ENGINEERING PRACTICE LAW

VALLE MESA ESTATES SUBDIVISION
HIDALGO COUNTY
DONNA, TX

EXISTING TOPO AND PROPOSED PAVING, STORM DRAINAGE AND DITCH WIDENING
VALLE MESA ESTATES SUBD.

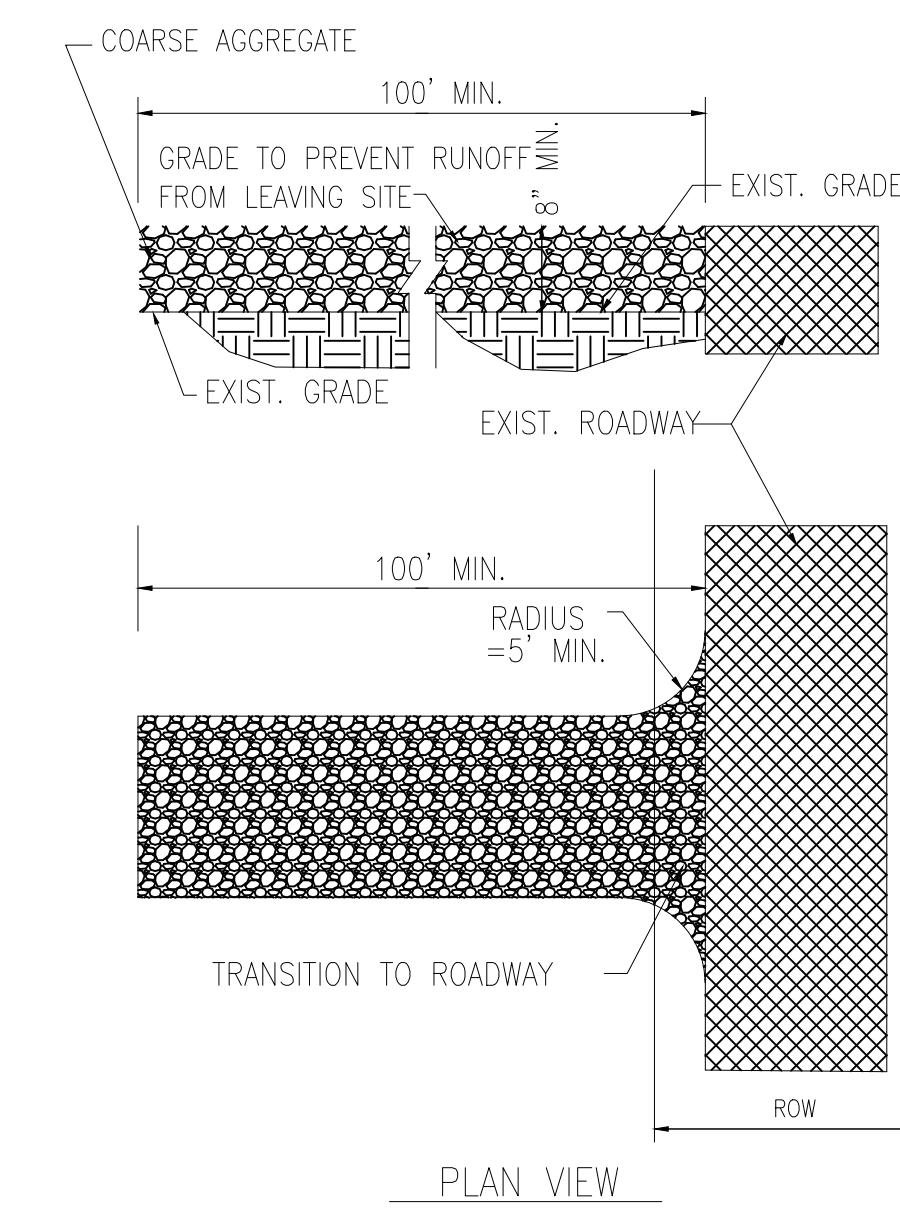
Copyright 2019 KK Engineering Consultant
All Rights Reserved.
File Name: PAVING & DRAINAGE
SHEET 3 OF 3

SCALE: 1"=100'



EROSION GENERAL NOTES:

- IT IS THE INTENT OF THE INFORMATION PROVIDED ON THIS SHEET TO BE USED AS THE GENERAL GUIDELINES OF THE STORM WATER OF COMPLIANCE WITH FEDERAL REGULATIONS. THE CONTRACTOR SHALL PREPARE THE STORM WATER POLLUTION PREVENTION PLAN AND BE SOLELY RESPONSIBLE FOR ITS IMPLEMENTATION. THE STORM WATER POLLUTION PREVENTION PLAN SHALL MEET THE REQUIREMENTS SET FORTH BY THE TEXAS COMMISSION ON ENVIRONMENTAL QUALITY (TCEQ) GENERAL PERMIT NO. TXR15000 TO DISCHARGE WASTE FROM CONSTRUCTION SITES ISSUED AND EFFECTIVE MARCH 5, 2003.
- THE STORM WATER POLLUTION PLAN SHOULD ADDRESS THREE GOALS: A) DIVERSION OF UPSLOPE WATER AROUND DISTURBED AREAS OF THE SITE; B) LIMITS THE EXPOSURE OF DISTURBED AREAS TO THE SHORTEST DURATION POSSIBLE; AND C) REMOVAL OF SEDIMENT FROM STORM WATER BEFORE IT LEAVES THE SITE.
- THE CONTRACTOR SHALL MAKE THE STORM WATER POLLUTION PREVENTION PLAN AVAILABLE, UPON REQUEST, TO (EPA).
- THE CONTRACTOR MUST AMEND PLANS WHENEVER THERE IS A CHANGE IN DESIGN, CONSTRUCTION, OPERATION, OR MAINTENANCE OF THE PLAN, OR WHEN THE EFFECTIVE PLAN PROVES INEFFECTIVE. MODIFICATIONS INCLUDING DESIGN AND ALL ADDITIONAL MATERIALS AND WORK SHALL BE ACCOMPLISHED BY THE CONTRACTOR AT NO ADDITIONAL EXPENSE BY THE OWNER.
- STABILIZATION MEASURES ARE TO BE INSPECTED AT A MINIMUM OF ONCE EVERY 14 DAYS AND WITHIN 24 HOURS AFTER ANY STORM EVENT GREATER THAN 0.5 INCHES. REPAIRS AND INADEQUACIES REVEALED BY THE INSPECTION MUST BE IMPLEMENTED WITHIN 7 CALENDAR DAYS FOLLOWING THE INSPECTION.
- AN INSPECTION REPORT THAT SUMMARIZES INSPECTION ACTIVITIES AND IMPLEMENTATION OF THE STORM WATER POLLUTION PREVENTION PLAN SHALL BE RETAINED AND MADE PART OF THE PLAN.
- ALL CONTRACTORS AND SUBCONTRACTORS IDENTIFIED IN THE PLAN MUST CERTIFY AS TO AN UNDERSTANDING OF THE NPDES GENERAL PERMIT BEFORE CONDUCTING ANY ACTIVITY UNDER THE POLLUTION PREVENTION PLAN.
- THE CONTRACTOR SHALL ADOPT APPROPRIATE CONSTRUCTION SITE MANAGEMENT PRACTICES TO PREVENT THE DISCHARGE OF OILS, GREASE, PAINTS, GASOLINE, AND OTHER POLLUTANTS TO STORM WATER. APPROPRIATE PRACTICES CAN INCLUDE: DESIGNATING AREAS FOR EQUIPMENT MAINTENANCE AND REPAIR; REGULAR COLLECTION OF WASTE; CONVENIENTLY LOCATED WASTE RECEPTACLES; AND DESIGNATING AND CONTROLLING EQUIPMENT WASHDOWN.
- THE CONTRACTOR SHALL AMEND OR MODIFY THIS PLAN AS REQUIRED BY CONSTRUCTION MEANS, METHODS AND SEQUENCE. MODIFICATIONS SHALL NOT COMPROMISE THE INTENT OF THE REQUIREMENTS OF LAW AND THIS PLAN. MODIFICATIONS SHALL NOT BE BASIS FOR ADDITIONAL COST TO THE OWNER.
- AREAS OF CONSTRUCTION ELSEWHERE ON THE JOB SITE SHALL CONFORM TO THE DETAILS SHOWN ON THE PLANS.
- BORROW AREAS, IF EXCAVATED, SHALL BE PROTECTED AND STABILIZED UTILIZING THE PLAN DETAILS. ALL WORK SHALL CONFORM TO GOVERNMENTAL REQUIREMENTS AND BECOME PART OF THE STORM WATER POLLUTION PREVENTION PLAN (SWP3). THE WORK SHALL BE DONE BY THE CONTRACTOR AT NO ADDITIONAL EXPENSE TO THE OWNER.
- ALL NON-PAVED AREAS SHALL BE MULCHED AND SEEDED WITH EROSION PROTECTION IMMEDIATELY UPON COMPLETION OF FINAL GRADING. THIS INCLUDES ALL DITCHED AND EMBANKMENTS. THE CONTRACTOR SHALL MAINTAIN FINAL GRADING AND KEEP SEEDED AREAS WATERED UNTIL FULLY ESTABLISHED AND ACCEPTED BY THE OWNER.
- THE CONTRACTOR SHALL CONSTRUCT A STABILIZED CONSTRUCTION EXIT AT ALL TRAFFIC EXIT POINTS PRIOR TO EXITING ONTO ANY PAVED ROADWAY.



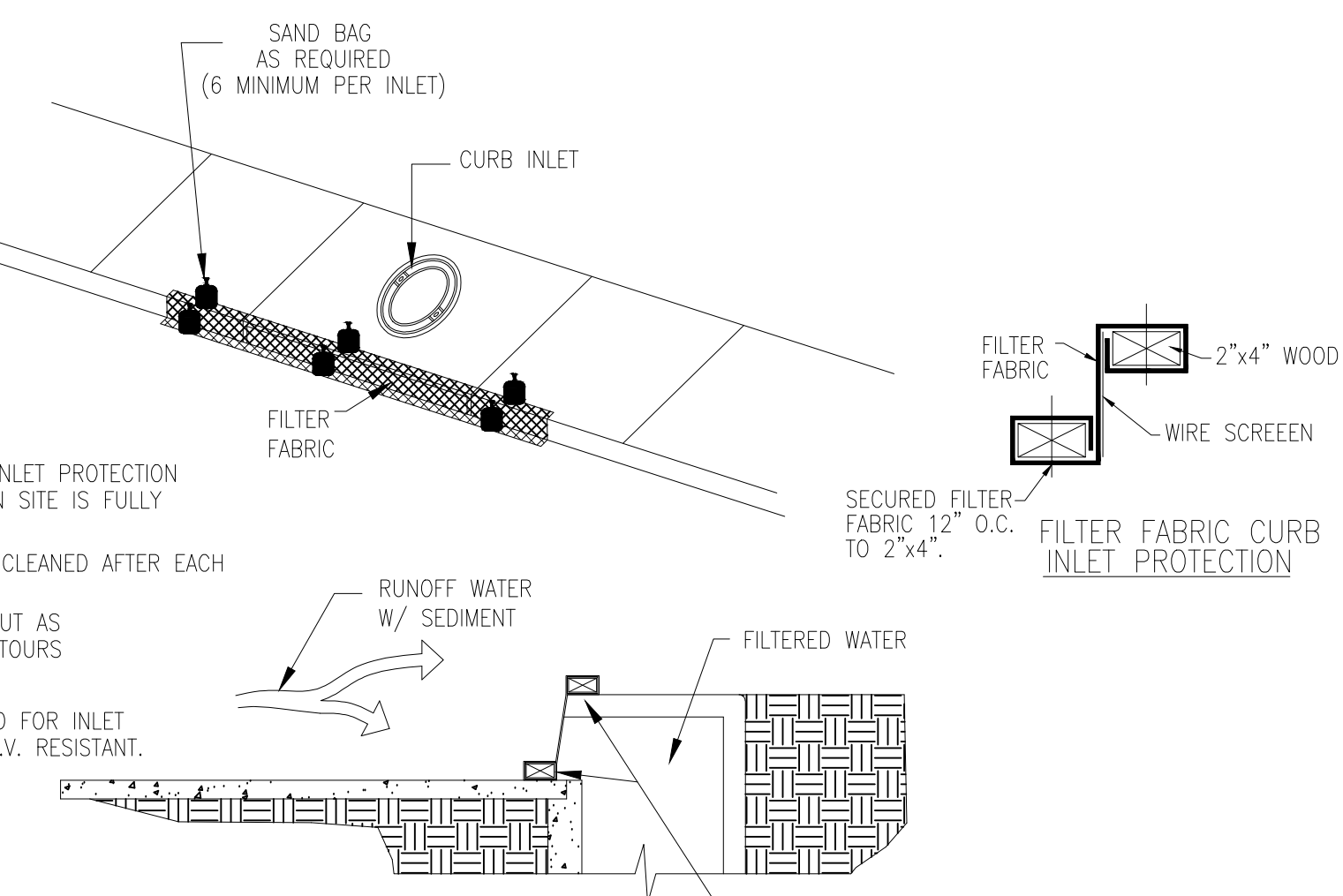
NOTES:

- STONE SHALL BE 3 TO 5 INCH DIA. CRUSHED ROCK OR ACCEPTABLE CRUSHED CEMENT CONCRETE.
- WHEN NECESSARY, VEHICLES SHALL BE CLEANED TO REMOVE SEDIMENT PRIOR TO ENTRANCE ONTO A PUBLIC ROADWAY. WHEN WASHING IS REQUIRED, IT SHALL BE DONE ON AN AREA STABILIZED WITH CRUSHED STONE WITH DRAINAGE FLOWING AWAY FROM BOTH THE STREET AND THE STABILIZED ENTRANCE. ALL SEDIMENT SHALL BE PREVENTED FROM ENTERING ANY STORM DRAIN, DITCH OR WATERCOURSE USING APPROVED METHODS.
- THE ENTRANCE SHALL BE PROPERLY GRADED OR INCORPORATE DRAINAGE SWALE TO PREVENT RUNOFF FROM LEAVING THE CONSTRUCTION SITE.
- THE ENTRANCE SHALL BE MAINTAINED IN A CONDITION WHICH WILL PREVENT TRACKING OR FLOWING OF SEDIMENT ONTO PAVED SURFACES. THIS MAY REQUIRE PERIODIC TOP DRESSING WITH ADDITIONAL STONE AS CONDITIONS DEMAND. ALL SEDIMENT SPILLED, DROPPED, WASHED OR TRACKED ONTO PAVEMENT SURFACES, MUST BE REMOVED IMMEDIATELY.

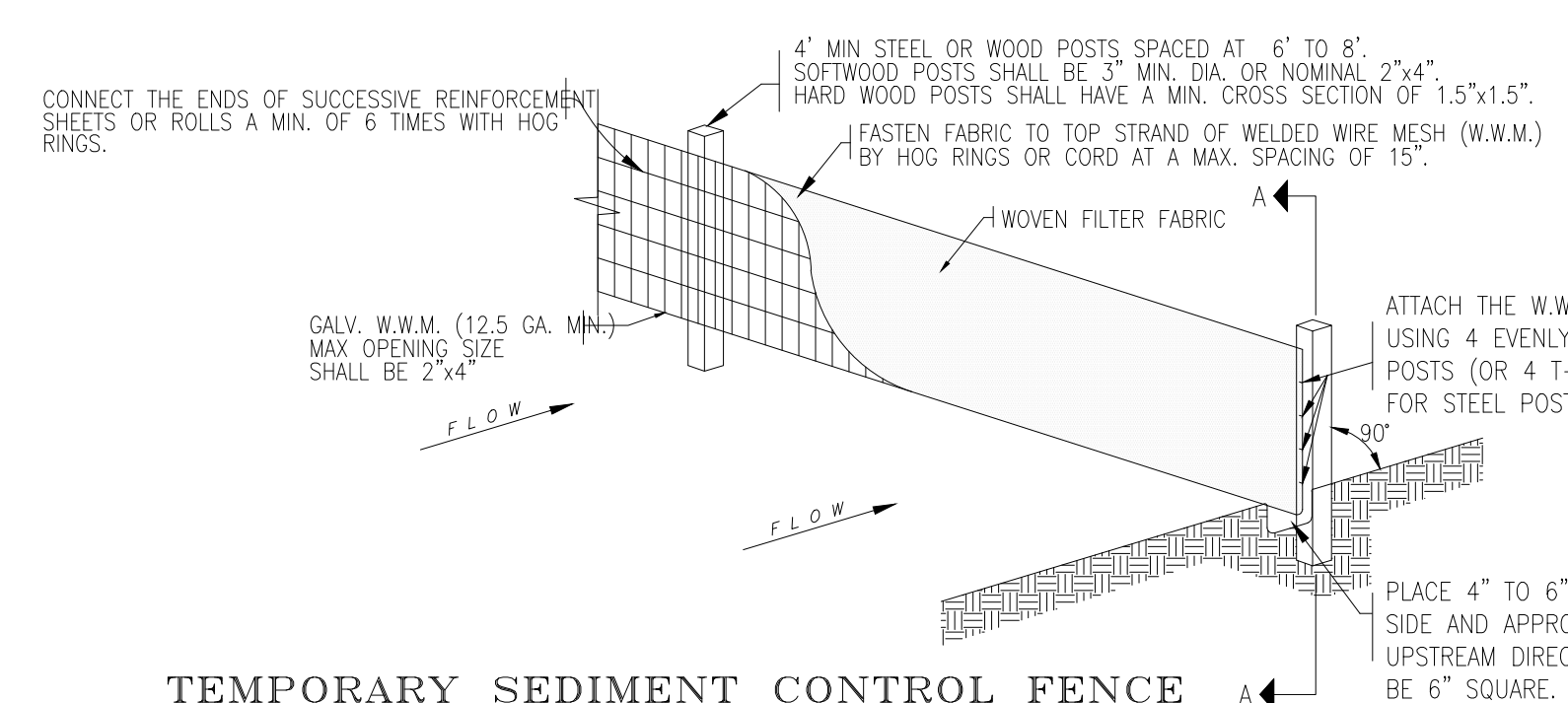
STABILIZED CONSTRUCTION EXIT (CONTRACTOR TO CHOOSE LOCATION)

GENERAL NOTES:

- FILTER FABRIC CURB INLET PROTECTION TO BE REMOVED WHEN SITE IS FULLY STABILIZED.
- FILTER FABRIC TO BE CLEANED AFTER EACH RAIN EVENT.
- 2x4 LUMBER TO BE CUT AS REQUIRED TO FIT CONTOURS OF CUTTER LINE.
- ALL BAGS TO BE USED FOR INLET PROTECTION, TO BE U.V. RESISTANT.



FILTER FABRIC CURB INLET PROTECTION



GENERAL NOTES:

- STEEL POSTS WHICH SUPPORT THE SILT FENCE SHALL BE INSTALLED WITH A SLIGHT ANGLE TOWARD THE ANTICIPATED RUNOFF SOURCE. POST MUST BE EMBEDDED A MINIMUM OF 18".
- THE TOE OF THE SILT FENCE SHALL BE TRENCHED IN WITH A SPADE OR MECHANICAL TRENCHER, SO THAT THE DOWNSLOPE FACE OF THE TRENCH IS FLAT AND PERPENDICULAR TO THE LINE OF FLOW. WHERE FENCE CANNOT BE TRENCHED IN WEIGHT FABRIC FLAP WITH WASHED GRAVEL ON UPHILL SIDE, AS NECESSARY, TO PREVENT FLOW UNDER FENCE.
- THE TRENCH MUST BE A MINIMUM OF 6 INCHES DEEP AND 6 INCHES WIDE TO ALLOW FOR THE SILT FENCE FABRIC TO BE LAIN IN THE GROUND AND BACKFILLED.
- SILT FENCE SHOULD BE SECURELY FASTENED TO EACH STEEL SUPPORT POST OF TO BACKING SUPPORT, WITH IN TURN ATTACHED TO THE STEEL FENCE POST FABRIC SHALL OVERLAP AT ABUTTING ENDS A MINIMUM OF 3 FEET AND SHALL BE JOINED SUCH THAT NO BYPASS OR LEAKAGE OCCURS.
- INSPECTION SHALL BE MADE WEEKLY OR AFTER EACH RAINFALL. REPAIR OR REPLACEMENT SHALL BE MADE PROMPTLY AS NEEDED.
- SILT FENCE SHALL BE REMOVED WHEN THE SITE IS COMPLETELY STABILIZED SO AS NOT TO BLOCK OR IMPEDE STORM FLOW OR DRAINAGE.
- ACCUMULATED SILT SHALL BE REMOVED WHEN IT REACHES A DEPTH OF 6 INCHES. THE SILT SHALL BE DISPOSED OF IN AN APPROVED SITE AND IN SUCH A MANNER AS TO NOT CONTRIBUTE TO ADDITIONAL SILTATION.

SEDIMENT CONTROL FENCE USAGE GUIDELINES

A SEDIMENT CONTROL FENCE MAY BE CONSTRUCTED NEAR THE DOWNSTREAM PERIMETER OF A DISTURBED AREA ALONG A CONTOUR TO INTERCEPT SEDIMENT FROM OVERLAND RUNOFF. A 2-YEAR STORM FREQUENCY MAY BE USED TO CALCULATE THE FLOW RATE TO BE FILTERED.

SEDIMENT CONTROL FENCE SHOULD BE SIZED TO FILTER A MAX. FLOW THROUGH RATE OF 100 GPM/FT. SEDIMENT CONTROL FENCE IS NOT RECOMMENDED TO CONTROL EROSION FROM A DRAINAGE AREA LARGER THAN TWO ACRES.

TEMPORARY SEDIMENT CONTROL FENCE

BY: _____ DATE: _____

REVISION: _____

DRAWING DATE: JUNE, 2019

DESIGNED BY: K.K.

DRAWN BY: F.D.

CHECKED BY: K.K.

UPDATED DWG. BY: _____

SCALE: 1"=100'

K K Engineering Consultant
GENERAL PROFESSIONAL CIVIL ENGINEERING SERVICES
(FIRM REGISTRATION # 1-1354)
6349 63rd 21st
FISHERS PLACE
MCALLEN, TEXAS 78502

THE SEAL AFFIXING ON THIS DOCUMENT WAS AUTHORIZED BY KHAMBIZ S. KHADEMI, P.E. 57767 JUNE / 2019 ALTERATION OF A SEALED DOCUMENT WITHOUT PROPER NOTIFICATION TO THE RESPONSIBLE ENGINEER IS AN OFFENSE UNDER THE TEXAS ENGINEERING PRACTICE LAW

VALLE MESA ESTATES SUBDIVISION

EROSION CONTROL PLAN FOR:

VALLE MESA ESTATES SUBDIVISION

HIDALGO COUNTY / PCT. 1

DONNA ETT

© Copyright 2019 KK Engineering Consultant All Rights Reserved

File Name: EROSION CONTROL PLAN

LAST SHEET