

S/N	Quantity	Description	Price
eXero-DR	1	<p><b>Standard Configuration Features:</b></p> <ul style="list-style-type: none"> <li>▶ <b>Flexible-Format Digital Radiography (DR) Image Formation</b> <ul style="list-style-type: none"> <li>* Allows a wide variety of high resolution image acquisition, ranging from the size of a "Whole-Body", to the size of a "Hand".</li> <li>* Field of View is Adjustable from 100mm x 100mm to a maximum 680mm x 1800mm for full body. Images can be made of any body part without moving the patient.</li> </ul> </li> <li>▶ <b>Compliance</b> <ul style="list-style-type: none"> <li>* FDA Approved: FDA (510k) No. K013999 Acc# 0310920</li> <li>* ISO Approved: CE Mark, ISO 13485:2003 ISO 9001:2000</li> </ul> </li> <li>▶ <b>High Resolution Digital Imaging Performance</b> <ul style="list-style-type: none"> <li>* Contrast Resolution : &gt;16000 grey levels (14 bits) - After log compression</li> <li>* Fundamental pixel size: 60 μm (1x1 binning)</li> <li>* Maximum Size single image:1800 mm * 680 mm (full body size, measured at lowest table height)</li> <li>* Base resolution mode : 1.04 lp/mm at 8x8 pixel binning. 0.48mm pixel size. Max 48000 grey levels. Maximum size = full body (image size 1536 x 8000 pixels)</li> <li>* Standard resolution mode : 1.4 lp/mm at 6x6 pixel binning. 0.36mm pixel size. Max 36000 grey levels. Maximum size = full body (image size 2048 x 8000 pixels)</li> <li>* High resolution mode : 2.1 lp/mm at 4x4 pixel binning. 0.24mm pixel size. Max 24000 grey levels. Maximum size = full body (image size 3070 x 8000 pixels)</li> <li>* Very High resolution mode : 4.2 lp/mm at 2x2 pixel binning. 0.12mm pixel size. Max 12000 grey levels. Maximum size = half of full body size (900mm x 680mm)(image size 6141 x 8000 pixels).</li> <li>* Ultra high resolution mode : 5.0 lp/mm (Measured) - 8.33 lp/mm (Theoretical) at 1x1 pixel binning. Maximum size = 480mm (quarter &amp; half speed only) (image size 12288 x 8000 pixels) Max 6000 grey levels. This mode is designed mainly for extremity imaging applications and less dense body area in general.</li> </ul> </li> <li>▶ <b>System Throughput Performance</b> <ul style="list-style-type: none"> <li>* Linear scanning rate (3 settings): 35 mm/s, 70mm/s, and 140mm/s ± 5%</li> <li>* Instantaneous frame rate (The time taken for the X-ray beam to transverse any one point, or how long any point is exposed to X-rays): 11 - 80 milliseconds.</li> <li>* Time to complete a full field scan: &lt;13 seconds</li> <li>* Time from "end-of-scan" until a diagnostic image becomes available on the DVS screen: &lt;15 seconds (Normal resolution image on a stand-alone 100Mbps/s Ethernet Base-T network.</li> <li>* Best case time between two successive x-rays on the same patient: 28 seconds (Provided heat capacity of X-ray tube &lt;20%)</li> </ul> </li> </ul>	<p><i>\$498,000.00</i></p>

S/N	Quantity	Description	Price
		<p>* <b>Patient Imaging &amp; Positioning Flexibility</b>            0 to 90 degrees. The supine or prone patient can be X-rayed in any radial angle from AP (or PA) to beyond the Supine (or Prone) lateral positions. to 90 degrees. The supine or prone patient can be X-rayed in any radial angle from AP (or PA) to lateral positions. Integrated smart trolley elevates according</p> <p>► <b>Environmental</b></p> <p>* Temperature: +10 to + 25o Celsius            * Humidity: 40% to 75% Non-Condensing            * Atmospheric Pressure: 70kPa - 106kPa</p>	<i>Included</i>
TRL601	1	<p>► <b>Bariatric SmartTrolley / Gurney (Imaging Table)</b>            The trolley /gurney top height can be adjusted vertically by 0 to 340mm via a foot operated switches, either end can be individually adjusting to allow Trendelenburg angles up to +/- 10 degrees.            Trolley automatically raises and lowers to accommodate the            * rotary motion of the C-arm when moving AP-Lateral and back.</p> <p>* Dimensions: 2240 x 740 x 825 (L x W x H)            * Patient X-ray Capacity: 300 kgs / 660 lbs.</p>	<i>1 Included</i>
CNS600	1	<p>► <b>System Console (DVS and OC) Dual Purpose (Operator console and viewing station)</b>            (Includes MON021 &amp; CMP030)            * eXero-dr User Interface: tab-based and simple operation.            * Sets all X-ray technical parameters, via Preset Anatomical Programming or Manual Operation            * Controls Linear and Rotary C-Arm Motion via on-screen control and easy-to-use joystick controller            * Initiates and terminates X-ray exposures via easy-to-use joystick controller            * Flexible Floor Mounted Cabinet Design can also house HV X-ray Generator</p>	<i>Included</i>
MON021	1	<p><b>Monitor</b>            * A NEC P232W monitor or equivalent will be supplied            * 23" (203" viewable image size) Colour LCD, active matrix, thin film transistor (TFT), liquid crystal display.            * Resolution: 1920 x 1080            * 250 cd/m2 white luminance typical            * 1000:1 contrast ratio - typical</p>	<i>Included</i>
CMP030	1	<p><b>Workstation Computer</b>            * System Computer: Based on at least a dual core processor such as the Intel Pentium 4/D/Core 2 Duo and enhanced graphics engine.            * Operating System: Windows 10</p>	<i>Included</i>

S/N	Quantity	Description	Price
GEN001	1	<ul style="list-style-type: none"> <li>* User Interface: 2 Button + scroll Mouse Driven Windows Graphic Interface</li> <li>* High Speed Proprietary Image Processor/DVS software</li> <li>* Image Processing Features include:               <ul style="list-style-type: none"> <li>* Zoom/Pan/Rotate; Contrast / Brightness; Edge Enhancement; Histogram Equalization; Palette Function; Invert</li> </ul> </li> <li>* Database Server Module</li> <li>* DICOM 3.0 Network Interface</li> <li>* Send / Receive / Print / Worklist Retrieve patient demographics only</li> <li>* DICOM 3.0 Input interface is required on the printer side.</li> <li>* Lodox eXero-dr Local Archive System</li> <li>* Lodox eXero-dr Data Management Software / DVD Recorder Package</li> </ul> <p><b>X-ray System</b></p> <p><b>Radiation Type</b> The eXero-dr emits ionized X-radiation by a precise narrow fan-beam scanning across the patient that progressively creates diagnostic quality images at very low dose rates.</p> <p><b>Direct Absorbed Dose</b> Maximum entrance dose for a full-body X-ray is 0.12 mGy (absorbed dose 99μSv). * For typical procedures, approximately 25% (conservative), on average, of equivalent conventional system doses are emitted.</p> <p><b>Leakage Radiation</b> * The maximum leakage radiation measured 1 meter from the X-ray focal spot in any direction is less than 20 uGy per hour @ 145kV 250mA.</p> <p><b>X-Ray Generator</b></p> <ul style="list-style-type: none"> <li>* Peak Power                    64 KW</li> <li>* Voltage Range                50kVp - 145 kVp</li> <li>* Voltage Rise Time            2mS (10 to 90%)</li> <li>* Voltage Stability              &lt; 4%</li> <li>* Voltage Ripple                0.5%</li> <li>* Current Range                32mA to 400mA</li> <li>* Exposure Time                0.6s to 16s</li> <li>* Operating frequency        40kHz</li> </ul>	<p><i>Included</i></p> <p><i>Included</i></p>
TUB002	1	<p><b>X-ray Tube</b></p> <ul style="list-style-type: none"> <li>* 3.5 Million HU, Rotating Anode CT type FDA/CE approved</li> </ul> <p><b>Detector</b></p> <ul style="list-style-type: none"> <li>* Proprietary Solid State Detector Technology (similar to spiral/helical CT scanner detector technology)               <ul style="list-style-type: none"> <li><b>X-ray to light conversion</b></li> </ul> </li> <li>* Rarex Green Fast ("Gadox" = GdOS2:Tb)</li> </ul>	<p><i>Included</i></p> <p><i>Included</i></p>

S/N	Quantity	Description	Price
	1	<b>System: Year One (1) - Twelve (12) Months Parts (tube pro-rata) and Labour.</b> (See Lodox Terms & conditions below for further details)	<i>Included</i>
	1	<b><u>Standard Installation:</u></b> System installation and commissioning Included. All site renovations are the responsibility of the Buyer. The provision of suitable site services including air-conditioning and electrical power are the responsibility of the buyer Clinical Engineering Training is included	<i>Included</i>
	1	<b><u>Standard Clinical Applications Training is included:</u></b> Three (3) days Included.	<i>Included</i>
	1	<b><u>Estimated Delivery</u></b> 180 days from date of order	
	1	<b><u>EvoHealth PACS with 4TB Dell Server</u></b>  Web-Based, Zero footprint, PACS provides instant access to current and prior radiology exams  Zero Footprint Viewer for easy deployment and maintenance across all facility computers "Windows or Apple"  Roaming user profiles and preferences follow users around Customized worklist per user  Simple measurement tools for lengths, angles, Cobb, etc..  Document Management "scan and attach" Create exam CD's from any windows PC Intergrates into customer website domain using SSL for encryption	\$14,775.00
	1	<b>Dell Power Edge Server "Rack mount"</b> 4 TB Server Dell Advanced Server Windows Server 2016 R2 Dual intel Xeon f5-2680 16 GB of Memory	<i>included</i>
	1	<b>Diagnostc Workstation</b> Dell insriron 3470 Desktop PC  windows 10 Pro 1TB Redeon Graphics Card  Dell 27 inch ultrasharp LED 4k UHD monitor 3840X2160	\$5,775.00

**2 additional years service and support**

\$47,000.00

1 onsite PM and calibration per year  
24/7 email and phone support  
All parts covered "Xray Tube is prorated"

You save \$1500 per year for pre purchasing 2 additional years

**Total system price delivered and installed**

**\$565,550.00**

Lodox Systems (Pty) Ltd. / Lodox NA, LLC  
**TERMS AND CONDITIONS OF SALE**

Buyer's order is accepted upon and subject to Buyer's assent to the terms stated below, which Buyer agrees are a complete, final and fully integrated statement of the agreement (the "Agreement") between Buyer and LODOX SYSTEMS (PTY) LTD. or LODOX NA, LLC ("Seller"). They may not be varied in any way at any time, except by a further written agreement approved and executed by a specifically authorized representative of Seller.

**1) PRICES AND PAYMENT:** All sales are f.o.b. Seller's plant, unless otherwise specified in the quotation, and payments are due and payable (without offset or deduction) as follows: (a) Sales of Product(s) to End Users: 20% upon execution of this Agreement, 70% upon delivery of the system and the final 10% net 30 after upon the completion of the installation; This is true unless terms are otherwise specified in the quotation. Sales of Product(s) to ANY party outside the United States or its Territories are: Irrevocable Letter of Credit due upon receipt of order. All orders are subject to approval of Seller's credit department at time of shipment.

If shipments are delayed due to the actions of Buyer or due to other conditions beyond Seller's control, payment or pro rata payment, as the case may be, are due and payable on invoices issued on or after the date Seller is prepared to make shipment. If performance of work hereunder is delayed by Buyer, pro rata payments are due and payable on invoices issued when or at any time after the delay begins. Product(s) held for Buyer shall be at Buyer's risk and expense. Notwithstanding anything to the contrary herein, Seller may require full or partial payment in advance, if in the judgment of Seller, the financial condition of Buyer at any time prior to shipment so warrants. In the event of failure of Buyer to make payments for any installment of goods when due or Buyer's breach of any other provision of this Agreement, Seller may withhold further delivery until the default has been remedied or may require that subsequent deliveries be paid for in cash upon delivery. On overdue accounts, interest shall be charged and payable on the amount of the unpaid balance at the lower of: (i) one and one-half percent (1 1/2%) per month, or (ii) the highest rate of interest then permitted by law.

To secure payment of all amounts due Seller hereunder, Buyer hereby grants Seller a security interest in any and all Products, Parts, accessories and equipment (and in all proceeds and products of the foregoing) which may be sold, licensed and/or furnished by Seller to Buyer hereunder.

**2) RISK:** Except as otherwise agreed to in writing, all risk of loss or damage to the Product(s) or any Part thereof, shall pass to Buyer and shall become Buyer's sole responsibility upon Seller's completion of delivery to the Buyer's facility.

**3) TITLE:** Except as otherwise agreed to in writing, title to the Product(s) or any Part thereof, shall pass to Buyer upon the Seller receipt of Buyer's final payment equaling 100% of the mutually agreed upon payment amount due to Seller. The Product(s) or Spare Part(s) shall be and remain personal or movable property, notwithstanding their mode of attachment to realty or other property.

**4) TAXES, DUTIES AND PERMITS:** Seller's prices do not include any sales, use, excise, or similar taxes nor any export, import or other duties. The amount of any such taxes or charges applicable to the sale, use, exportation or importation of the Products to be sold hereunder shall be paid separately by Buyer, or Buyer shall provide Seller a proper exemption certificate in respect thereof. All export and import permits required shall be furnished by Buyer.

**5) SHIPMENTS:** Shipping dates herein are approximate and are based upon estimated factory work schedules currently in effect. They are subject to timely receipt of all necessary materials and supplies from Seller's vendors, all necessary information and data from Buyer, priority and scheduling requirements, and other contingencies beyond Seller's control. The time within which shipment shall be made hereunder shall include such additional time from the date herein specified as may be required by reason of non-availability or shortage of materials, supplies, labor, fuel, power or data, or by strike, flood, riot, fire, government regulation, explosion, terrorism, war or other casualty or cause beyond the reasonable control of Seller. Seller will use its best efforts within a reasonably practicable period of time after the occurrence of such condition to notify Buyer of the nature of the occurrence and the estimated length of additional time necessary to full this order.

Seller shall not in any event be liable for any loss, damages or expenses, including, without limitation, consequential, special, or incidental damages, loss of profits or revenues or otherwise, incurred or suffered by buyer or buyer's customers as a result of any delay in shipment or delivery. Buyer specifically and explicitly agrees that it has no rights hereunder to claim force majeure as an exculpatory reason for any default on its part.

**6) PACKING:** Unless a preferred packing method is provided for elsewhere in the order, all articles shall be packaged and packed for shipment and storage in accordance with good commercial practices. Preferred packing charges shall be paid by Buyer.

Lodox Systems (Pty) Ltd. / Lodox NA, LLC  
TERMS AND CONDITIONS OF SALE

NO ACTION OR PROCEEDING SHALL BE FILED OR COMMENCED BY BUYER AGAINST SELLER FOR ANY BREACH OF ANY PURCHASE ORDER OR THESE TERMS LATER THAN ONE (1) YEAR AFTER THE ACCRUAL OF ANY SUCH CAUSE OF ACTION HEREIN STATED IN FAVOR OF BUYER AGAINST SELLER.

9) RETURNS: Seller must authorize all returns. An R.M.A. (Return Material Authorization) number issued by Seller must accompany all returned material. All items returned to Seller must be shipped transportation charges prepaid. Seller does not accept C.O.D. shipments. Buyer is obligated to notify Seller before returning any Product exposed to dangerous or hazardous materials. All returns are subject to a fifteen percent (15%) restocking fee made payable to the Seller immediately upon the request of the RMA number.

10) SHIPPING INSTRUCTIONS: Before returning any product(s) or components to seller for service, Buyer shall contact Seller's Order Services Department (listed below) for a Return Material Authorization number. Product(s) or components shall not be accepted by Seller for servicing without an assigned RMA number. Returned Product(s) and components must be properly packaged, insured, and shipped with transportation charged prepaid to:

LODOX SYSTEMS (PTY) LTD. / LODOX NA, LLC,  
143 Burton Street  
Painesville, Ohio 44077 USA

11) CLAIMS: Claims by the Buyer shall in no way release Buyer from its obligation to pay herein. Such claims shall be dealt with as a separate transaction.

12) REMEDIES: If Buyer shall fail to make payments in accordance with the prices and terms specified herein, or be delinquent in any other payment owing to Seller, or if Buyer's financial condition at any time does not, in Seller's judgment, justify continuance of work or shipments on the original terms of payment specified herein, Seller may, in addition to all other remedies, require payment in advance for any further work or shipments hereunder or may terminate this Agreement. In the event of bankruptcy or insolvency of Buyer or any proceedings brought by or against Buyer under the Bankruptcy or insolvency laws, Seller at its option may cancel any order that is outstanding from Buyer. If default is made in any of the payments herein, Buyer agrees that Seller may retain all payments that have been made on account of the purchase price up to 20% of the purchase price, as liquidated damages. Seller shall also be entitled to the immediate possession of the Product(s) or Spare Part(s) without prejudice to Seller's right to recover any expenses or damages Seller may suffer by reason of such non-payment. Buyer acknowledges that any waiver on Seller's part of any one default in performance under this

Agreement shall not be considered a waiver of any other such default.

13) PATENT AND COPYRIGHT INDEMNITY: Seller will defend and hold harmless Buyer from and against any claim that the equipment, other products, or programs sold, licensed, or furnished by Seller to Buyer infringe upon any patent or copyright issued to or acquired by any third party in accordance with any applicable federal or state statute, other than a claim pertaining to any process or product thereof, and Seller will promptly pay Buyer any and all costs, damages, and attorneys' fees and related costs awarded to such third party for damages as a result of any such infringement; provided that: (a) Buyer promptly notifies Seller in writing of any such claim or allegation upon which any such claim may arise, and in no event later than ten (10) days following Buyer's receipt of notification of such claim or allegation; (b) Buyer shall provide Seller with such documentation, declarations, testimony, information and assistance as Seller may reasonably request, from time to time, in connection with the defense and/or investigation of any such claim; (c) Buyer permits Seller to exercise complete and sole control over the defense and investigation of any such claim, of any counterclaim or cross-claim, and of any

and all settlement negotiations and decisions with respect thereto; (d) Buyer has not, directly or indirectly, committed any such infringement, other than solely as a result of the use and operation of the equipment, products, and programs as instructed by Seller; and (e) Buyer fully cooperates with Seller in its preparation of its defense of any such claim. Seller shall not be liable for any costs or expenses incurred by Buyer in connection with any such claim unless such costs and expenses have been expressly approved in writing in advance by an authorized representative of Seller.

In the event any such claim of infringement is made, or in Seller's opinion and judgment likely to be made, Seller shall have the right, at its sole option and expense, to either procure for Buyer the right to continue using the product or program which is the subject of any such claim, or to replace the same so long as the replacement product or program shall not result in any such infringement. If Seller determines, in its sole opinion and judgment, that neither of the foregoing options are appropriate under the circumstances, Buyer shall, upon written request by Seller, return to Seller all such products and programs which are the subject of any such claim or potential claim, and Seller shall thereafter promptly remit to Buyer, in full and final satisfaction of all liability of Seller to Buyer with respect to such product and program, Buyer's un-depreciated net book value for such product plus reasonable transportation and delivery costs.

Lodox Systems (Pty) Ltd. / Lodox NA, LLC  
TERMS AND CONDITIONS OF SALE

Seller's obligations with respect to any such infringement are and shall be limited to the foregoing obligations to defend, settle, remedy, replace, or reimburse Buyer therefore. SELLER SHALL HAVE NO LIABILITY FOR ANY CLAIM BASED UPON ANY COMBINATION, OPERATION OR USE OF ANY PRODUCT OR PROGRAM SOLD, LICENSED OR FURNISHED TO BUYER IN CONNECTION WITH ANY EQUIPMENT OR OTHER SOFTWARE PROGRAMS NOT SOLD, LICENSED OR FURNISHED BY SELLER, OR ANY SUCH CLAIM WHICH MAY ARISE AS A RESULT OF ANY ALTERATION OF ANY OF THE PRODUCTS OR PROGRAMS SOLD, LICENSED OR FURNISHED BY SELLER TO BUYER HEREUNDER OR UNDER ANY PURCHASE ORDER. To the extent any such product, or any part thereof, becomes the subject of a claim or infringement of a patent or copyright issued to or obtained by any third person pursuant to any applicable federal or state statute, Buyer shall indemnify and defend Seller from and against such claim and all losses, damages, costs and expense (including, without limitation, attorneys fees and related costs) incurred or suffered by Seller as a direct or indirect result of any such claim, all in the manner and to the extent provided in the foregoing indemnity provisions applicable to Seller.

14) GENERAL: Orders may not be assigned without the prior written consent of Seller. This Agreement constitutes the entire agreement between the parties with respect to the subject matter hereof and no waiver, alteration or modification of any provision thereof shall be binding unless in writing and signed by an authorized representative of Seller. If any portion or clause of this Agreement is held invalid or unenforceable as to any person or under any circumstances, the invalidity or lack of application shall not impair or affect the other provisions and the application of those provisions which can be given effect without the invalid or unenforceable provision or application. With this intention, the provisions of this agreement are declared to be severable. All notices from one party to the other shall be in writing and shall be delivered in person, by facsimile, or sent by U.S. Registered Mail to each party at the address indicated herein, or at any other, upon notification of the change of address to the other in accordance with this provision. Notice delivered personally shall be

deemed received upon delivery. Notice delivered by facsimile shall be deemed received upon delivery, provided that the original copy of such notice, properly executed by the sender (if required) shall be sent by U.S. Mail, postage prepaid, and received by the addressee within three (3) business days after delivery of the facsimile copy. Notice delivered by registered or certified mail shall be deemed received on the third (3rd) business day after posting.

15) RESOLUTION OF DISPUTES: Each party hereby consents to and confers exclusive jurisdiction to enforce any of the rights or obligations under this Agreement or to resolve any dispute arising out of or in connection with this Agreement, or the transactions contemplated herein, in the United States Federal Court located in Lake County, State of Ohio or the state circuit court located in Lake County, Ohio, and hereby consents to and agrees that venue shall be deemed proper and exclusive in either of such courts in Lake County, State of Ohio.

16) APPLICABLE LAW: This Agreement, and all Purchase Orders related hereto, shall be governed by and construed under the internal laws of the State of Ohio as applied to agreements entered into and to be performed entirely within the State of Ohio, without giving effect to principles of conflicts of laws.

# FUSE PACS

The Fuse Platform is a state-of-the-art solution for all users in the healthcare sector that makes sharing patient data safe and efficient.

- Scalable from Mini PACS to Full Enterprise Solution
- Web-Based Application
- Zero Footprint and Advanced Viewer Options
- Internet Browser and Device Agnostic
- Administrative Reporting Analytics Dashboard
- Configurable Worklist Per User
- Customizable Search Parameters within Worklist
- Easily Merge Patients and Studies
- Move Singular Studies
- On the Fly Modifiable Filters
- Mature Viewer Supports Advanced Viewing (CTA vessel analysis, 3D reconstruction)
- Customizable Tool Set
- Template and Structured Reporting
- Optional Integrated Voice Dictation and Speech Recognition
- Patient and Referring Physician Portal
- Portal Accessible via App on Apple and Android Devices



RAD  
MAMMO  
CARDIO  
ORTHO  
RIS  
BILLING







**NEW** Full-Body Imaging Solution Proposal



## Executive Summary

### Introduction

The LODOX eXero-dr is a low dose, high speed, and high-resolution digital X-ray scanning system that can produce an AP full body X-ray image in 13 seconds and also allows for coned down general radiology procedures in AP, Oblique, and Lateral orientations.

### System Visual



## **About the LODOX eXero-dr**

The eXero-dr consists of a moving C-arm with an X-ray source mounted at the head of the C-arm and an X-ray detector mounted on the other side of the C-arm (directly adjacent to the X-ray source). This mechanism exposes the subject to a thin fan beam of X-rays. The system also includes a tailor made radiolucent trolley.

The system contains two software applications – one that is used to operate the system (User Interface or UI), and another to view, manipulate and export and/or print DICOM images (Digital Viewing System or DVS).

The DVS can be located remotely, or images can be stored on a PACS.

The LODOX® eXero-dr Critical Imaging System can be used to perform trauma, general or forensic imaging investigations on subjects of any age, gender, weight (limit of 300kg/660 lbs), or physical condition.

## **The LODOX eXero-dr Advantage**

### **1. Saves Time**

An entire full-body AP (Antero-Posterior) image is obtained in 13 seconds, with a complete image available within 30 seconds – giving very high case throughput capacity.

### **2. User Friendliness**

The UI and the DVS are designed for easy and fast access, with pre-set technique factors for all procedures ensuring optimal, diagnostic-quality images that allows the user to operate the machine rapidly.

### **3. Low Dose**

The eXero-dr imaging system is specifically designed to provide the lowest possible dose, providing high resolution, digital radiographic images at a fraction of the dose. The LODOX eXero-dr offers ultra low-dose, full-body screening at both low and high-resolution levels, supplying the user with safe screening and diagnostic value images.

### **4. Image Quality and Size**

- Excellent image quality – Spatial resolution from 1.04 to 5.0 line pairs per mm can be selected, while exceptionally high contrast resolution of up to 16,000 grey levels is available.
- Large images – LODOX eXero-dr generates images of 1800mm in length by 680mm in width in AP position (or 70.86 inches by 26.77 inches) at comparable levels of quality (up to full body

size in AP position), which means that the need for multiple radiographs is significantly reduced.

- Electronic information sharing – All radiographs produced by LODOX eXero-dr are available over highspeed networks using industry standard protocols via DICOM.

Our systems for forensics currently reside or are ordered in over 50 federal, state, and local forensic institutions across the US. You may find a list of our active installations here by going to [www.lodox.com](http://www.lodox.com) .

Please also refer to the attached documents on our system included with this proposal as well as the digital media provided.

### **eXero-dr System Brochures**

Ref: eXero-dr Forensics Brochure 2017.pdf

eXero-dr - Digital brochure pack.pdf

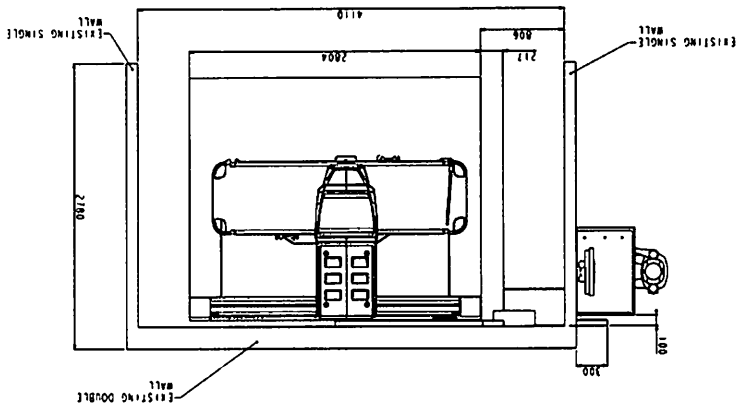
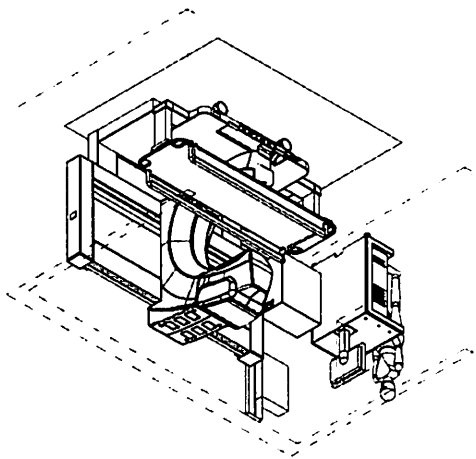
### **System eXero-dr Technical Specifications**

Ref: Lodox Tech Specification with Bleedline.pdf

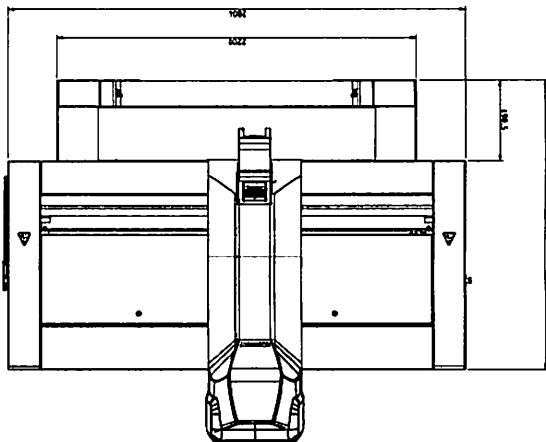
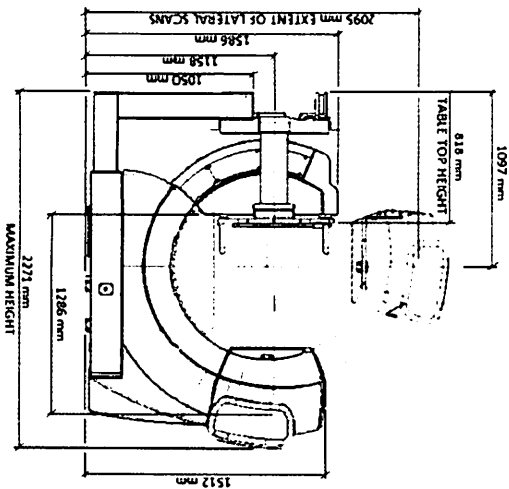
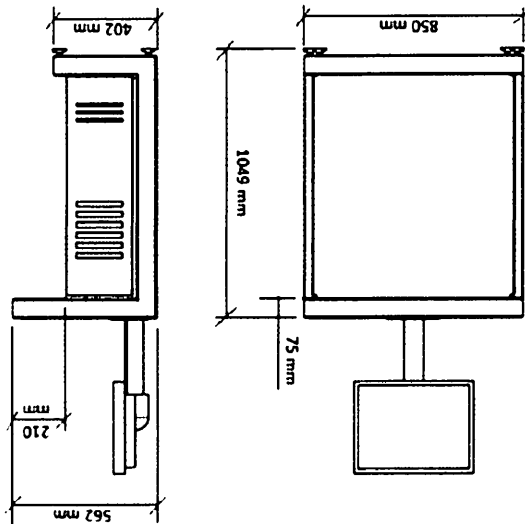
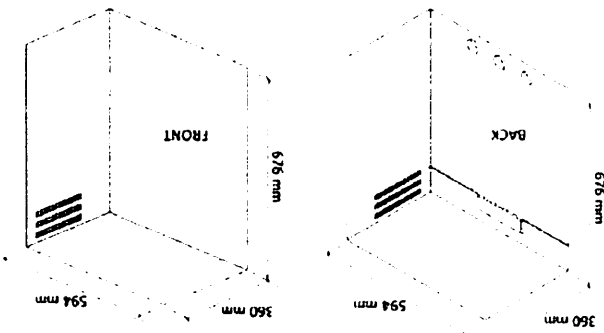
### **System Physical loading, measurements, and basic layouts**

Ref: FRM-02-0005 LODOX eXero-dr Installation Planning Guide and Site Survey form (1) .pdf

**The Lodox system operates within a minimum 10ft x 13.5ft area with minimum 8ft ceiling height (960 square feet) during manipulation of the C-arm into lateral while scanning. This does not include operator area as Operator Console (OC) can be located outside of the room or behind a leaded partition. There are several configuration and layouts depending on room available for location of the unit and its elements.**



High Voltage Generator



## Electrical requirements for the installation of a Lodox X-ray Machine

Each Lodox machine installation requires two special power supplies. One is for the stand power and the other is for the X-ray generator power.

- 1) Stand power – 208/120V single phase with a neutral and 20 amp two pole breaker or fused disconnect switch. The breaker or disconnect should be located at a convenient place within the procedure room.
- 2) X-ray generator power – This shall be a 480 volt three phase source capable of supporting 60KVA. A 100 amp breaker or fused disconnect shall be conveniently located near the x-ray generator cabinet. This supply requires an earth ground sized no smaller than one size smaller than the main conductors and does not require a neutral wire. It can be a Delta or a Wye configuration. The maximum line impedance should be .20 ohms.

Please follow the wire size chart below for the 480 volt line.

Distance from source	15M	30M	45M	60M
Wire size	AWG 2	AWG 1/0	AWG 2/0	AWG 4/0

- 3) Please provide convenience 120 volt 15A outlets in the procedure room and control room areas.
- 4) A network drop will be required near the operator's control console.
- 5) If an X-ray warning light is provided we prefer to power it from the x-ray generator and not from house power.