



**Hidalgo County  
Planning  
Department**

**T.J. Arredondo, CFM**  
*Director of Planning*

**Main Office**  
1304 S. 25<sup>th</sup> Street  
Edinburg, Texas 78542  
Phone (956) 318-2840  
Fax (956) 318-2844

**Engineering Projects Office**  
902 N. Doolittle Road  
Edinburg, Texas 78542  
Phone (956) 292-7080  
Fax (956) 292-7089

**Precinct No. 1 Substation**  
1902 Joe Stephens Ave.  
Weslaco, Texas 78596  
Phone (956) 968-4734  
Fax (956) 973-7850

**Precinct No. 3 Substation**  
2401 N. Moorefield Road  
Mission, Texas 78572  
Phone (956) 205-7045  
Fax (956) 205-7049

**PIPELINE AND UTILITY PERMIT APPLICATION PACKET**

THE STATE OF TEXAS

COUNTY OF HIDALGO

PRECINCT 2

**APPLICATION AND AGREEMENT FOR PIPELINE OR  
UTILITY PERMIT**

Date: 8/5/2020

Fiberlight (hereinafter referred to as "Applicant") does hereby make application to the Hidalgo County through the Hidalgo County Planning Department (hereinafter referred to as "HCPD") to construct, maintain and repair pipelines or utilities across the easements, right-of-ways, property or property interest as described below.

Information required:

1. Name, Address and Phone number of Applicant:

Fiberlight, LLC

4360 Beltway Place, Arlington, TX 76018 210-851-9785

2. Name, Address and Phone number of company or agency owning Pipeline or Utility (please indicate if same as Applicant):

Same

3. Name, Address and Phone number of operator of Pipeline or Utility (please indicate if same as Applicant):

Same

4. Name, Address and Phone number of contractor to install Pipeline or Utility:

Rockport Construction

1 Sugar Creek Center Blvd #1000, Sugar Land, TX 77478

Visit Hidalgo County Planning Department on the web at [www.co.hidalgo.tx.us](http://www.co.hidalgo.tx.us)



**Hidalgo County  
Planning  
Department**

**T.J. Arredondo, CFM**  
*Director of Planning*

**Main Office**  
1304 S. 25<sup>th</sup> Street  
Edinburg, Texas 78542  
Phone (956) 318-2840  
Fax (956) 318-2844

**Engineering Projects Office**  
902 N. Doolittle Road  
Edinburg, Texas 78542  
Phone (956) 292-7080  
Fax (956) 292-7089

**Precinct No. 1 Substation**  
1902 Joe Stephens Ave.  
Weslaco, Texas 78596  
Phone (956) 968-4734  
Fax (956) 973-7850

**Precinct No. 3 Substation**  
2401 N. Moorefield Road  
Mission, Texas 78572  
Phone (956) 205-7045  
Fax (956) 205-7049

**PIPELINE AND UTILITY PERMIT APPLICATION PACKET**

5. Is this a common carrier pipeline or utility? If yes, please submit the Applicant's Texas Railroad Commission Form "T-4" or similar form designating the facility:

No

6. Does Applicant have the Power of Eminent Domain?

Yes

7. Will the product be carried for hire or by the owner of the goods?

N/A

8. Name and Legal description of property owner requesting utility services if applicable:

N/A

9. Type of utility work within county road right-of-way:

Bore Crossing     Line Extension Along R.O.W.     Other Install fiber optic cable

10. Where is the origin of the line?

Beginning at an existing hand hole on the northeast corner of US HWY 83 & N Cesar Chavez Rd

11. Where is the destination of the line?

Project continues south along the east side of road on N Cesar Chavez Rd approximately 5,833' (Approx. 1,150' north of E Moore Dr).



**Hidalgo County  
Planning  
Department**

**T.J. Arredondo, CFM**  
*Director of Planning*

**Main Office**

1304 S. 25<sup>th</sup> Street  
Edinburg, Texas 78542  
Phone (956) 318-2840  
Fax (956) 318-2844

**Engineering Projects Office**

902 N. Doolittle Road  
Edinburg, Texas 78542  
Phone (956) 292-7080  
Fax (956) 292-7089

**Precinct No. 1 Substation**

1902 Joe Stephens Ave.  
Weslaco, Texas 78596  
Phone (956) 968-4734  
Fax (956) 973-7850

**Precinct No. 3 Substation**

2401 N. Moorefield Road  
Mission, Texas 78572  
Phone (956) 205-7045  
Fax (956) 205-7049

**PIPELINE AND UTILITY PERMIT APPLICATION PACKET**

12. Utility Crossing Coordinate X: 26.185696° Y: -98.134890°  
(NAD 83 Texas South FIPS 4205 feet)
13. Number and size of lines:  
(2) 1 1/4"
14. Pressure (each line):  
N/A
15. Content (each line):  
216 fiber count
16. Estimated date of installation of Pipeline or Utility:  
As soon as the permit is approved by Hidalgo County Commissioners Court



**Hidalgo County  
Planning  
Department**

**T.J. Arredondo, CFM**  
*Director of Planning*

**Main Office**

1304 S. 25<sup>th</sup> Street  
Edinburg, Texas 78542  
Phone (956) 318-2840  
Fax (956) 318-2844

**Engineering Projects Office**

902 N. Doolittle Road  
Edinburg, Texas 78542  
Phone (956) 292-7080  
Fax (956) 292-7089

**Precinct No. 1 Substation**

1902 Joe Stephens Ave.  
Weslaco, Texas 78596  
Phone (956) 968-4734  
Fax (956) 973-7850

**Precinct No. 3 Substation**

2401 N. Moorefield Road  
Mission, Texas 78572  
Phone (956) 205-7045  
Fax (956) 205-7049

**PIPELINE AND UTILITY PERMIT APPLICATION PACKET**

If requested permit is granted by HCPD, Applicant, in consideration thereof, agrees and binds itself as follows:

1. All pipelines or utilities herein will be horizontally placed within the right-of-way as determined by HCPD and at a minimum depth of five (5) feet below natural ground. Depth, horizontal, and vertical location shall be confirmed by HCPD Inspectors.
2. Location map, profile, and plans concerning the proposed pipeline or utility crossing will furnished with this application.
3. HCPD will be notified in writing ten days prior to the beginning date of construction under this permit.
4. Applicant will bear the entire expense of all future relocations of any pipelines or utilities should such relocation, at the sole discretion of the Hidalgo County Commissioners Court, be necessary for improvements, alteration, or maintenance of the Hidalgo County's easement or property of interest.
5. Applicant will notify the HCPD at least 48 hours prior to covering work and or completion of its work and removal of its equipment from the job site to permit HCPD to make an inspection.
6. Upon notification by the HCPD, the Applicant will promptly repair or rectify any deficiency or condition caused by the Applicant's operations or installations under this permit. Applicant will leave easement in as near the same condition or better, in the HCPD's sole judgment, as it existed prior to the commencement of the operations under this permit.
7. Hidalgo County shall not be liable or responsible for, and shall be saved and held harmless by Applicant, and further shall be indemnified by Applicant, from and against any and all suits, actions, losses, damages, claims, or liability of any character, type, or description, including all expenses of litigation, court costs, attorney's fees, and engineering fees for injury or death to any person, or injury to any property, received or sustained by any person or persons or property, arising out of, or occasioned by, directly or indirectly, the performance of Applicant under this agreement, including claims and damages arising in part from the negligence of the Hidalgo County.



**Hidalgo County  
Planning  
Department**

**T.J. Arredondo, CFM**  
*Director of Planning*

**Main Office**

1304 S. 25<sup>th</sup> Street  
Edinburg, Texas 78542  
Phone (956) 318-2840  
Fax (956) 318-2844

**Engineering Projects Office**

902 N. Doolittle Road  
Edinburg, Texas 78542  
Phone (956) 292-7080  
Fax (956) 292-7089

**Precinct No. 1 Substation**

1902 Joe Stephens Ave.  
Weslaco, Texas 78596  
Phone (956) 968-4734  
Fax (956) 973-7850

**Precinct No. 3 Substation**

2401 N. Moorefield Road  
Mission, Texas 78572  
Phone (956) 205-7045  
Fax (956) 205-7049

**PIPELINE AND UTILITY PERMIT APPLICATION PACKET**

It is the expressed intent of the parties to this agreement that the indemnity provided for in this section is extended by Applicant to indemnify and protect Hidalgo County from the consequences of Hidalgo County's own negligence, whether that negligence is the sole or contributory cause of the resultant injury death, or damage.

Applicant further agrees to defend, at its own expense, with attorneys acceptable to Hidalgo County and on behalf of the Hidalgo County, and in the name of Hidalgo County, any claim or litigation brought against the Hidalgo County in connection with any such injury, death or damage.

Before construction is begun on such pipeline or utility crossings, Applicant will furnish to the HCPD a certificate of insurance (or other security approved by the HCPD) payable to Hidalgo County and protecting Hidalgo County (as an additional named insured) against any claims for personal injuries or damages to property resulting from the operations of Applicant, its agents, servants, employees, and contractors under this permit. Insurance is to be supplied in accordance with the attached Schedule A.

8. Hidalgo County makes no warranties, expressed or implied, in the granting of this permit; nor does Hidalgo County purport to grant any property interest or exclusive privileges whatsoever by granting such permit. It is specifically understood that Hidalgo County is not the agent for, nor does it act for, the fee owners or any persons or entities having any right, or title to possession of the land upon which the Hidalgo County's easement or other property interest is located. Furthermore, in granting this permit Hidalgo County makes no representation or warranty that it has any property interest, including, but not limited to, an easement or right of way, in the land

upon which Applicant constructs, maintains, repairs, or modifies the pipelines or utilities, made the subject of this application, nor does Hidalgo County make any representation or warranty as to the validity, quality or extent of such property interest, if any. Applicant acknowledges its understanding that Hidalgo County in granting this permit, does not convey or grant to Applicant any rights, title or interest for which is has no legal authority to grant or convey.

9. Applicant binds itself to comply with all federal, state, and local laws or regulations and will obtain all necessary permits from all local and federal agencies required by law before installation or construction is begun.



**Hidalgo County  
Planning  
Department**

**T.J. Arredondo, CFM**  
*Director of Planning*

**Main Office**  
1304 S. 25<sup>th</sup> Street  
Edinburg, Texas 78542  
Phone (956) 318-2840  
Fax (956) 318-2844

**Engineering Projects Office**  
902 N. Doolittle Road  
Edinburg, Texas 78542  
Phone (956) 292-7080  
Fax (956) 292-7089

**Precinct No. 1 Substation**  
1902 Joe Stephens Ave.  
Weslaco, Texas 78596  
Phone (956) 968-4734  
Fax (956) 973-7850

**Precinct No. 3 Substation**  
2401 N. Moorefield Road  
Mission, Texas 78572  
Phone (956) 205-7045  
Fax (956) 205-7049

**PIPELINE AND UTILITY PERMIT APPLICATION PACKET**

10. Applicant will install its pipelines and utilities in a manner and location as shown in the plans and specifications filed with HCPD in support of this application for permit. Hidalgo County Planning Department's representative may at any time make such inspection as such engineer or other representation may deem necessary to assure that the construction of the pipeline or utilities is in accordance with the plans and specifications submitted, and said engineer or representative shall have the right to temporarily suspend Applicant's work if necessary, while such inspection is being made. Should Applicant not install the pipelines or utilities in accordance with the terms and conditions of this permit, Applicant agrees that the Hidalgo County shall have the right to require, at Applicant's expense, the removal of the pipelines and utilities and its replacement in conformance to said plans and specifications and conditions of this permit. Hidalgo County may revoke this permit and suspend all work hereunder if it is determined by Hidalgo County that the pipelines or utilities are not being installed in accordance with such plans and specifications and conditions of this permit. The suspension or revocation of this permit shall not be a basis for a claim for damages against Hidalgo County.
11. Except in emergency situations where it is necessary to protect life and property, Applicant will not make any change, modification, or alteration in or to the pipelines or utilities without first securing a new or amended permit from Hidalgo County prior to the making of any such change. Applicant will maintain the pipelines or utilities hereby authorized in good and safe condition, and in accordance with plans, specifications, and this permit.
12. Applicant agrees to pay HCPD a permit fee to cover administrative costs in the amount of **\$500.00**, plus a reimbursement to HCPD for any necessary engineering fees which may be incurred for the study and processing of the Application. This fee will permit a single pipeline or utility to be within County right-of-way. Applicant further agrees to pay an additional fee of **\$500.00** for each additional line included in permit application at the same location; however, more than one location may be included in a single application.

Requests to lay additional line or lines, not included in an initial permit application, must be made by separate application, with new permit fees paid accordingly and support data provided.



**Hidalgo County  
Planning  
Department**

**T.J. Arredondo, CFM**  
*Director of Planning*

**Main Office**  
1304 S. 25<sup>th</sup> Street  
Edinburg, Texas 78542  
Phone (956) 318-2840  
Fax (956) 318-2844

**Engineering Projects Office**  
902 N. Doolittle Road  
Edinburg, Texas 78542  
Phone (956) 292-7080  
Fax (956) 292-7089

**Precinct No. 1 Substation**  
1902 Joe Stephens Ave.  
Weslaco, Texas 78596  
Phone (956) 968-4734  
Fax (956) 973-7850

**Precinct No. 3 Substation**  
2401 N. Moorefield Road  
Mission, Texas 78572  
Phone (956) 205-7045  
Fax (956) 205-7049

**PIPELINE AND UTILITY PERMIT APPLICATION PACKET**

Permit fees may be waived where Applicant is a state, county, municipality, or a special political subdivision.

13. The Applicant is allowed one hundred twenty days (120) from the granting of the permit to start construction of the pipelines or utilities crossings. Once started, the Applicant is allowed ninety (90) days to complete all work under such permit. All construction must be completed within two hundred ten (210) days from the date of issuance of permit. Upon application, extension of the time periods set forth in this paragraph may be granted by the Hidalgo County Commissioners Court. Such applications for extension must be received by HCPD at least thirty days before the expiration of the two hundred ten (210) days period. A new permit fee, in accordance with Paragraph 12 hereof, will be charged for each extension granted.

Construction of any pipeline or utility crossing will not begin until written approval has been given by HCPD.

14. All provisions of the Pipeline and Utility Permit Administration Policy of Hidalgo County, if any, and all amendments thereto, are hereby incorporated herein as part of the terms and conditions of this permit for all purposes.
15. Applicant warrants and represents that it has secured from all fee owners of the involved property an easement or other property rights to construct, repair or modify the pipeline or utility in the manner set forth herein.
16. This Pipeline and Utility Permit if granted by Hidalgo County is subject to any and all other requirements, specifications and conditions listed in Exhibit A attached hereto.
17. Hidalgo County requires all coordinates of all utility crossings. Horizontal datum to be in NAD 83 State Plane Texas South 4205 feet and vertical datum in NAVD 88 Geoid 12a.



**Hidalgo County  
Planning  
Department**

**T.J. Arredondo, CFM**  
*Director of Planning*

Main Office  
1304 S. 25<sup>th</sup> Street  
Edinburg, Texas 78542  
Phone (956) 318-2840  
Fax (956) 318-2844

Engineering Projects Office  
902 N. Doolittle Road  
Edinburg, Texas 78542  
Phone (956) 292-7080  
Fax (956) 292-7089

Precinct No. 1 Substation  
1902 Joe Stephens Ave.  
Weslaco, Texas 78596  
Phone (956) 968-4734  
Fax (956) 973-7850

Precinct No. 3 Substation  
2401 N. Moorefield Road  
Mission, Texas 78572  
Phone (956) 205-7045  
Fax (956) 205-7049

**PIPELINE AND UTILITY PERMIT APPLICATION PACKET**

18. This permit constitutes the entire agreement between the parties with regard to the subject matter hereof, and all prior agreements, representations, and negotiations between the parties regarding the subject matter are hereby superseded. This permit shall not be altered or amended except by an agreement in writing executed by the parties hereto.

19. Applicant warrants and represents that its undersigned representative has full authority to bind Applicant to the terms and conditions of the foregoing Application and Agreement for Pipeline or Utility Permit.

DATED this 10 day of Aug, 2020.


Jimmy Barton  
(Name of Applicant – Printed or Typed)

By: [Signature]  
Signature

Title: P.M.

STATE OF TEXAS  
COUNTY OF HIDALGO

SUBSCRIBED AND SWORN TO before me the Applicant,  
Jimmy Barton, on this 10 day of August, 2020,  
to which witness my hand and seal of office.

\*\*\*\*\*  
  
PANDY SALINAS  
Notary Public, STATE OF TEXAS  
My Commission  
Expires 08/26/2021  
I.D.# 1045047-9  
\*\*\*\*\*

[Signature]  
Notary Public for the State of Texas  
My Commission Expires: 8/26/21



**Hidalgo County  
Planning  
Department**

**T.J. Arredondo, CFM**  
*Director of Planning*

**Main Office**  
1304 S. 25<sup>th</sup> Street  
Edinburg, Texas 78542  
Phone (956) 318-2840  
Fax (956) 318-2844

**Engineering Projects Office**  
902 N. Doolittle Road  
Edinburg, Texas 78542  
Phone (956) 292-7080  
Fax (956) 292-7089

**Precinct No. 1 Substation**  
1902 Joe Stephens Ave.  
Weslaco, Texas 78596  
Phone (956) 968-4734  
Fax (956) 973-7850

**Precinct No. 3 Substation**  
2401 N. Moorefield Road  
Mission, Texas 78572  
Phone (956) 205-7045  
Fax (956) 205-7049

**PIPELINE AND UTILITY PERMIT APPLICATION PACKET**

**APPROVAL OF APPLICATION BY  
HIDALGO COUNTY PLANNING DEPARTMENT**

Came on for consideration this \_\_\_\_\_ day of \_\_\_\_\_,  
20\_\_\_\_. The above and foregoing Application for Pipeline and Utility  
Permit, and after consideration of the same by the Hidalgo County  
Commissioners Court, said Application and Agreement for Pipeline or  
Utility Permit is hereby APPROVED.

HIDALGO COUNTY:

---

Richard F. Cortez, County Judge



**Hidalgo County  
Planning  
Department**

**T.J. Arredondo, CFM**  
*Director of Planning*

**Main Office**

1304 S. 25<sup>th</sup> Street  
Edinburg, Texas 78542  
Phone (956) 318-2840  
Fax (956) 318-2844

**Engineering Projects Office**

902 N. Doolittle Road  
Edinburg, Texas 78542  
Phone (956) 292-7080  
Fax (956) 292-7089

**Precinct No. 1 Substation**

1902 Joe Stephens Ave.  
Weslaco, Texas 78596  
Phone (956) 968-4734  
Fax (956) 973-7850

**Precinct No. 3 Substation**

2401 N. Moorefield Road  
Mission, Texas 78572  
Phone (956) 205-7045  
Fax (956) 205-7049

**PIPELINE AND UTILITY PERMIT APPLICATION PACKET**

**EXHIBIT A**

(Please insert description of project location and supporting documents for proposed utility work)

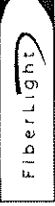






PROJECT: # RM19-961  
SEGMENT #CC01295C

PERMIT  
6/19/20



FIBERLIGHT LLC  
4350 BELTWAY PL  
ARLINGTON, TX 76018



REVISIONS	
DATE	DESCRIPTION
6/19/20	ISSUED
6/19/20	REVISION

SCALE  
B SIZE DWG: NTS  
D SIZE DWG: NTS

DATE:  
APPROVED:  
SHEET:

LEGEND

**LEGEND**

PROPOSED FEATURE DIMENSION	RAILROAD
PROPOSED FEATURE TEXT	QUADRANT
PROPOSED CONDUIT ROUTE	FENCE LINE
PROPOSED BORE	TREES/TREE LINE
PROPOSED AERIAL ROUTE	LANDSCAPING/BUSH LINE
TRENCH	DITCH LINE
DIRECTIONAL BORE	WATER FEATURE
EXISTING FEATURE DIMENSION	WETLANDS FEATURE
EXISTING FEATURE TEXT	UTILITY FEATURE TEXT
EDGE OF PAVEMENT	UNDERGROUND WATER LINE
CURB & BUTTER	UNDERGROUND GAS LINE
SIDEWALK	UNDERGROUND SANITARY SEWER LINE
SOLID WHITE LINE/FOG LINE	UNDERGROUND STORM DRAIN LINE
CENTERLINE	UNDERGROUND POWER LINE
ROADNAME	UNDERGROUND TELEPHONE LINE
RIGHT OF WAY LINE	UNDERGROUND COMMUNICATION LINE
PROPERTY LINE	OVERHEAD UTILITY LINE
COUNTY LINE	MISC UTILITY LINE
CONCRETE FEATURE	TOP OF SLOPE
BUILDING FEATURE	TOE OF SLOPE

TRAFFIC SIGNAL POLE & STREET LIGHT	VENT
SIGN	TEST PIT
TREE	MAILBOX
WATER VALVES	MAILBOX ADDRESS
GAS VALVES	ROAD MARKINGS (ALL)
VALVES	RAILROAD CROSSING
GUIDEWIRE	HC RAMP
HANDHOLE	YARD INLET
UTILITY TOWER	CURB INLET
UTILITY BOX	CULVERT
PARKING METER	CELL TOWER
CELL TOWER #	

HANDHOLE (OTHERS)	PROPOSED FBL HANDHOLE
MANHOLE	PROPOSED DBL HANDHOLE
DOUBLE HEADED MANHOLE	SLACK SPAN
MANHOLE (ALL-IN-ONE)	ANCHOR
WATER METER	CLEANOUT W/GROUND RODS
METERS	CULVERT
MARKER	FIRE HYDRANT
MARKER (OTHERS)	GROUND RODS
MARKER (RIGHT OF WAY)	PROP. HANDHOLE
PEDISTAL	
POLE	

PROPOSED FBL HANDHOLE	MARKER
PROPOSED DBL HANDHOLE	MARKER
SLACK SPAN	ANCHOR
ANCHOR	CLEANOUT W/GROUND RODS
CLEANOUT W/GROUND RODS	CULVERT
CULVERT	FIRE HYDRANT
FIRE HYDRANT	GROUND RODS
GROUND RODS	PROP. HANDHOLE
PROP. HANDHOLE	



**CONSTRUCTION NOTES**

- WHERE TRENCHING TECHNIQUES ARE USED THE MINIMUM DEPTH TO THE TOP OF CONDUIT WILL BE 42" UNLESS OTHERWISE APPROVED BY THE PROJECT ENGINEER. A MAXIMUM DEPTH OF 72" IS REQUIRED TO THE TOP OF THE HOPE.
- WHENEVER DIRECTIONAL BORING IS UTILIZED TO INSTALL CONDUITS ALL EXCAVATIONS SHALL BE BACKFILLED PER TxDOT SPECIFICATIONS.
- VERIFICATION OF THE LOCATION OF ALL UTILITY CROSSINGS IS THE SUBCONTRACTOR'S RESPONSIBILITY. HAND DIG WHERE REQUIRED. ALL KNOWN UTILITIES MUST BE "TEST PITTED".
- CONTACT TEXAS MISS UTILITY 72 HOURS IN ADVANCE OF CONSTRUCTION AT 1-800-DIG-TESS FOR LOCATION OF BURIED UTILITIES.
- IT IS THE RESPONSIBILITY OF THE CONTRACTOR TO HAVE ALL TxDOT TRAFFIC LOOPS LOCATED, CONFIRM WITH FIBERLIGHT, WITH TxDOT CORRESPONDENCE, THAT ALL TRAFFIC LOOP LOCATIONS HAVE BEEN COORDINATED FOR MARKING.
- AT THE END OF EACH WORK DAY CONDUIT CAPS WILL BE PLACED ON ALL VACANT DUCTS.
- A MINIMUM BENDING RADIUS OF 24" FOR FIBER CABLE WILL BE ADHERED TO.
- MAXIMUM CABLE INSTALLATION TENSION SHALL NOT EXCEED 600 POUNDS.
- THE CONTRACTOR SHALL BE RESPONSIBLE FOR THE REMOVAL AND STORAGE OF ALL SHRUBBERY TO BE REPLACED.
- RESTORATION OF THE CONSTRUCTION AREA TO ORIGINAL OR BETTER CONDITION SHALL BE THE RESPONSIBILITY OF THE CONTRACTOR.
- PLACE 6" OF 3/4" CRUSHED ROCK IN THE BOTTOM OF THE PIT PRIOR TO PLACING THE HANDHOLE.
- ALWAYS HAND DIG WITHIN 2' OF UTILITIES.
- PLACE A 50' COIL OF SLACK IN EACH HANDHOLE/MANHOLE.
- EXCAVATE OUTSIDE THE DRIP LINE OF ALL TREES TO PREVENT ROOT DAMAGE.
- CONSTRUCTION MATERIALS AND STAGING AREAS ARE NOT PERMITTED WITHIN 25' BUFFER ZONE OF WETLANDS, CREEKS, AND STREAMS.
- THE CURB AND GUTTER IS NOT TO BE DISTURBED WITHOUT PRIOR APPROVAL.
- IN THE EVENT THAT IT IS NECESSARY TO REMOVE ANY PORTION OF THE CURB AND GUTTER IT IS TO BE REPLACED SEAM TO SEAM IN A MATCHING CONFIGURATION TO THE ADJACENT CURB AND GUTTER.
- ALL WORK WILL ADHERE TO THE REQUIREMENTS SET FORTH IN THE LATEST TxDOT UTILITY POLICY.
- CONSTRUCTION NOTES SHALL APPLY TO ALL DRAWINGS.
- A MINIMUM DEPTH OF 112" OR GREATER IS REQUIRED AT ALL RIVER, CREEK, AND/OR GULLY CROSSINGS.

**GENERAL NOTES**

- GENERAL NOTES SHALL APPLY TO ALL DRAWINGS.
- ALL WORK SHALL COMPLY WITH APPLICABLE STATE, COUNTY, & LOCAL REGULATORY AGENCIES, INCLUDING BUT NOT LIMITED TO OSHA, TxDOT, ETC.
- THE CONTRACTOR SHALL CONTACT THE ADJACENT PROPERTY OWNERS A MINIMUM OF 12 HOURS IN ADVANCE OF CONSTRUCTION AT THE WORK SITE.
- ALL TRAFFIC CONTROL DEVICES SHALL BE IN PLACE BEFORE WORK IS STARTED. DEVICES NO LONGER REQUIRED SHALL BE REMOVED AS SOON AS POSSIBLE.
- PEDESTRIAN TRAFFIC AREAS MUST BE MAINTAINED AT ALL TIMES. PEDESTRIANS MAY NOT BE ROUTED ONTO PRIVATE PROPERTY OR INTO STREETS.
- NO EQUIPMENT OR MATERIALS SHALL BE STORED OR PERMITTED TO STAND UNPROTECTED WHERE TRAFFIC IS MAINTAINED.
- NO EQUIPMENT OR MATERIALS SHALL BE STORED ON ROAD SURFACE DURING NON-WORKING PERIODS.
- NO EQUIPMENT OR MATERIALS SHALL BE STORED ON SIDEWALK AT ANY TIME.
- EXCAVATION MATERIAL SHALL BE STORED AWAY FROM THE PAVED ROADWAY.
- ALL SPILLED MATERIAL WILL BE REMOVED IMMEDIATELY.
- EXISTING SIGNS, DELINEATORS, GUARDRAILS, MARKERS, TREES, SHRUBS, FENCES, WALKS, STEPS, ETC., THAT ARE DISTURBED BY THIS CONSTRUCTION SHALL BE REPLACED OR RESTORED TO THEIR ORIGINAL CONDITION OR TO THE SATISFACTION OF THE INSPECTING ENGINEER, PROPERTY OWNER, CITY, COUNTY, STATE AND/OR ANY OTHER AGENCY HAVING AUTHORITY/JURISDICTION.
- CITY, COUNTY, STATE ROAD SIGNS, DELINEATORS, GUARDRAILS, ETC. SHALL NOT BE REMOVED. WRITTEN PERMISSION SHALL BE REQUIRED PRIOR TO ANY EXCAVATION IN THIS AREA.
- ALL WORK SHALL BE PERFORMED IN ACCORDANCE WITH THE CITY, COUNTY, STATE SPECIFICATIONS AND STANDARDS.
- ALL PERSONS WHO FLAG TRAFFIC ON STATE RIGHT-OF-WAY MUST BE CERTIFIED.
- ALL SURFACE AND SUBSURFACE RESTORATION IS TO BE IDENTICAL TO THE ADJACENT UNDISTURBED AREAS. IN CORPUS CHRISTI DISTRICT OATS WILL BE PLANTED SEPT. 1 THROUGH NOV 30. (COUNTIES INCLUDED IN CORPUS CHRISTI DISTRICT: KARNES, GOLIAD, BEE, REFUGIO, SAN PATRICIO, LIVE OAK, JIM WELLS, KLEBERG, NUECES, AND ARANSAS.)
- THE CONTRACTOR IS RESPONSIBLE FOR ANY UTILITY DAMAGES. WHEN ANY PERSON DAMAGES A UTILITY LINE OR PROTECTIVE COATING DURING EXCAVATION OR DEMOLITION THE ONSITE COUNTY INSPECTOR AND THE AFFECTED UTILITY WILL BE NOTIFIED.
- ON ALL WORK ASSOCIATED WITH TxDOT PROJECTS THE RESIDENT ADMINISTRATOR FOR TxDOT MUST BE NOTIFIED AT LEAST 48 HRS BEFORE STARTING WORK.
- CONTRACTOR IS RESPONSIBLE FOR ALL COMPACTING AND SEDIMENT CONTROL REGULATIONS.

\* THESE PLANS MEET OR EXCEED TxDOT ROAD AND BRIDGE STANDARDS AND SPECIFICATIONS.

\*\* NO HANDHOLES ARE TO BE PLACED WITHIN DITCH-LINES.

ALL DRIVEWAYS WILL BE BORED.

**ADDITIONAL NOTES**

- CONTRACTOR RESPONSIBLE FOR INSTALLATION/REPAIR/REPLACE OF MAILBOXES AND SIGNS. MAILBOXES AND SIGNS SHALL BE INSTALLED IN ACCORDANCE WITH TxDOT STANDARDS.
- CONTRACTOR SHALL REPLACE ALL AREAS WITHIN TxDOT RIGHT-OF-WAY TO ORIGINAL CONDITION.
- CONSTRUCTION SHALL NOT CHANGE OR IMPACT EXISTING DRAINAGE CONDITIONS.
- NATURAL AREAS WITHIN TxDOT RIGHT-OF-WAY WHICH ARE DISTURBED SHALL BE RE VEGETATED OR STABILIZED WITH SOIL RETENTION BLANKETS.
- MINIMUM OF 2' SEPARATION MUST BE MAINTAINED BETWEEN THE BORES AND ALL CULVERTS.

PROJECT: # RM19-961  
SEGMENT #CC01295C

**PERMIT**  
6/19/20

FiberLight  
FIBERLIGHT LLC  
4360 BELTWAY PL  
ARLINGTON, TX 76018



REVISIONS	
DATE	DESCRIPTION
06/19/20	ISSUED
06/19/20	REVISION

SCALE  
B SIZE DWG: NTS  
D SIZE DWG: NTS

DATE:  
APPROVED:  
SHEET:

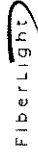
NOTES



PROJECT: # RM19-961

SEGMENT #CC01295C

PERMIT  
6/19/20



FIBERLIGHT LLC  
4360 BELTWAY PL  
ARLINGTON, TX 76018



PERMITTING AGENCIES:

CITY GOVERNMENT

COUNTY GOVERNMENT:

STATE GOVERNMENT

EMERGENCY NUMBERS:

CONTACT SHEET

RAILROADS:

UTILITIES:

FIBERLIGHT LLC  
4360 BELTWAY PLACE  
ARLINGTON, TX 76018

JIMMY BARTOSH  
210-861-9785  
Jimmy.bartosh@fiberlight.com

ENGINEERING

RWMT, INC  
22 N SHEEP LANE  
NEPHI, UT 84648

MATT WILLIAMS  
OFFICE: 435-623-4252  
FAX: 435-623-4351  
CELL: 337-257-0334  
mbwilliams@rwmf.com

RWMT SOUTH:  
462 MAPLEWOOD LN.  
SAN ANTONIO, TX  
78216

REVISIONS

DATE	DESCRIPTION	BY
6/19/20	ISSUE	MB
6/19/20	REVISION	MB
6/19/20	REVISION	MB
6/19/20	REVISION	MB
6/19/20	REVISION	MB
6/19/20	REVISION	MB
6/19/20	REVISION	MB
6/19/20	REVISION	MB
6/19/20	REVISION	MB
6/19/20	REVISION	MB

SCALE

B SIZE DWG: NTS

D SIZE DWG: NTS

DATE:

APPROVED:

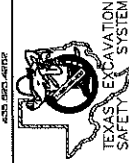
SHEET:

CONTACTS



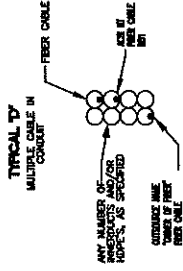
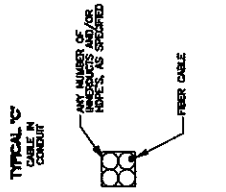
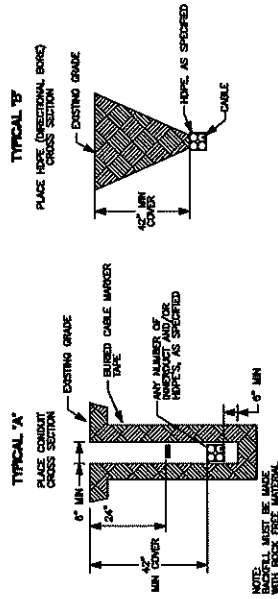
PROJECT: # RM19-961  
 SEGMENT #CC01295C  
 PERMIT  
 6/19/20

Fiberlight  
 FIBERLIGHT LLC  
 4360 BELTWAY PL  
 ARLINGTON, TX 76018



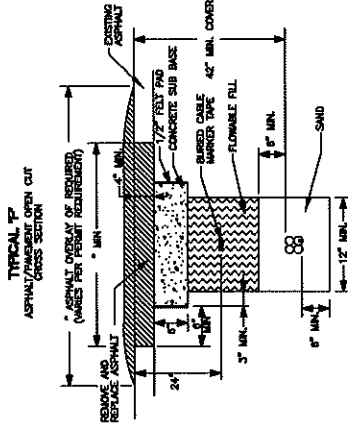
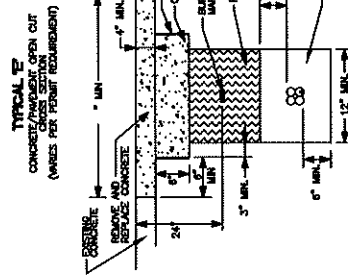
# BURIED CONSTRUCTION TYPICALS - 1

## PLACEMENT - TYPICALS



## CONDUIT CONFIGURATION

## OPEN CUT - TYPICALS



1. THE BOTTOM OF THE TRENCH SHALL BE LEVEL, FLAT AND NOT HAVE ANY ROCK DEBRIS.
2. ALL EXCAVATIONS SHALL BE UNDESIGNED, AND FOR PERMITTING AUTHORITY INSPECTION.
3. EXCAVATED MATERIAL MAY BE REUSED SUITABLE BACKFILL BY ENGINEER AND/OR PERMITTING AUTHORITY INSPECTOR.
4. MINIMUM SIZE (10) ROCKS OF CLEAN SAND SHALL BE PLACED OVER THE CONDUIT.
5. ALL WORK PERFORMING AUTHORITY SHALL BE PER CITY AND FOR PERMITTING AUTHORITY.
6. ALL CONCRETE FILL AND CONCRETE SHALL BE VIBRATED (USING A 2" DIAMETER VIBRATOR).
7. CONCRETE AND ASPHALT THICKNESS SHALL MATCH EXISTING.
8. ALL JOINTS SHOULD BE DRILLED INTO ADJACENT UNDISTURBED CONCRETE TO PREVENT DIFFERENTIAL SETTLEMENT.

REVISIONS	
DATE	DESCRIPTION
8/27/18	ISSUED
8/27/18	REVISION
8/27/18	REVISION
8/27/18	REVISION
8/27/18	REVISION
8/27/18	REVISION
8/27/18	REVISION
8/27/18	REVISION
8/27/18	REVISION
8/27/18	REVISION

SCALE  
 B SIZE DWG: NTS  
 D SIZE DWG: NTS  
 DATE:  
 APPROVED:  
 SHEET:

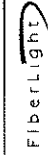
BUR CONST TYP1





PROJECT: # RM19-961  
SEGMENT #CC01295C

PERMIT  
6/19/20



FIBERLIGHT LLC  
4360 BELTWAY PL  
ARLINGTON, TX 76018

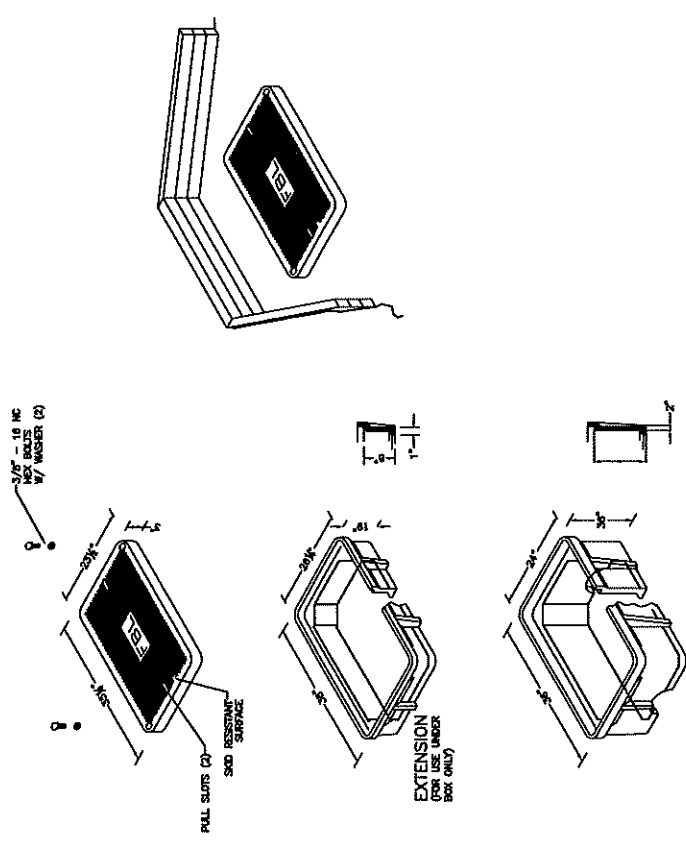


DATE	DESCRIPTION	BY
8/29/18	DESIGN	U
10/10/18	ISSUE	U
8/1/19	REVISION	U

SCALE  
B SIZE DWG: MTS  
D SIZE DWG: MTS

DATE:  
APPROVED:  
SHEET:

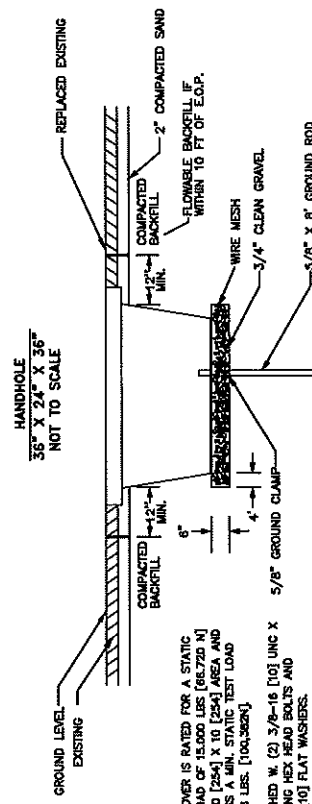
TYP 2X3 HH



WEIGHT LOAD: 20K  
PART NO. 243636 FRP  
BODY: FRP  
COVER: POLYMER CONCRETE  
MANUFACTURER: MARTIN ENTERPRISES  
TEL. 505.567.9110  
WWW.MARTINFRP.COM

**HANDHOLE INSTALLATION IN ASPHALT CONSTRUCTION NOTES**

1. 8" OF GRAVEL SHALL BE PLACED UNDER ENCLOSURE DURING INSTALLATION TO ASSIST IN DRAINAGE.
2. TOP OF ENCLOSURE SHALL BE AT GRADE LEVEL.
3. JOINTS BETWEEN NEW AND EXISTING ASPHALT SHALL BE SQUARE CUT.
4. SAND SHALL BE COMPACTED PRIOR TO PLACEMENT OF ASPHALT.
5. ALL FILL AROUND ENCLOSURE SHALL BE COMPACTED IN 4" LAYERS.
6. CONSTRUCTION AREA SHALL BE RESTORED TO ORIGINAL OR BETTER CONDITION.
7. HOLE WILL BE CORE DRILLED, NOT SAWED AND SEALED WITH CONCRETE.
8. HOLE SHALL BE REINFORCED WITH LANDSCAPE TIEBARS TO PROVIDE A MINIMUM OF 18" WALK AREA AROUND THE HOLE.
9. 10. HH LIES IN A POSSIBLE TRAFFIC AREA MUST MEET OR EXCEED LOAD GRADE 22.
11. EXTENDED CLAMPED TOP ANTI-TURN DEPTH SHALL BE 10 FT. OF E.O.P.
12. FLOWABLE FILL MUST BE PLACED UNDER ENTRY P WITHIN 10 FT. OF E.O.P.



**NOTES:**

1. THIS COVER IS RATED FOR A STATIC DESIGN LOAD OF 15,000 LBS (6,720 N) OVER A 10 (254) X 10 (254) AREA AND MUST PASS A MIN. STATIC TEST LOAD OF 22,566 LBS. [100,366N].
2. FURNISHED W. (2) 3/8"-16 (10) UNC X 5/8" GROUND CLAMP.
3. (10) LONG HEX HEAD BOLTS AND (2) 3/8 (10) FLAT WASHERS.

**CONSTRUCTION NOTES:**

1. 8" OF GRAVEL SHALL BE PLACED UNDER ENCLOSURE DURING INSTALLATION TO ASSIST IN DRAINAGE.
2. ALL FILL AROUND ENCLOSURE SHALL BE COMPACTED IN 10 LAYERS.
3. CONSTRUCTION AREA SHALL BE RESTORED TO ORIGINAL OR BETTER CONDITION.
4. HANDHOLE SHALL NOT BE PLACED ON A SLOPE GREATER THAN 15%.
5. WIRE MESH SHALL BE PLACED UNDER HANDHOLE IN GRAVEL TO PREVENT ENTRY.

**CONSTRUCTION NOTE:**  
FLOWABLE FILL MUST BE PLACED UNDER ENTRY P WITHIN 10 FT. OF E.O.P.





PROJECT: # RM19-961  
 SEGMENT #CC01295C

PERMIT  
 6/19/20

FiberLight  
 FIBERLIGHT LLC  
 4360 BELTWAY PL  
 ARLINGTON, TX 76018



REVISIONS	
NO.	DESCRIPTION
1	DATE: 06/19/20
2	DATE: 06/19/20
3	DATE: 06/19/20
4	DATE: 06/19/20
5	DATE: 06/19/20
6	DATE: 06/19/20
7	DATE: 06/19/20
8	DATE: 06/19/20
9	DATE: 06/19/20
10	DATE: 06/19/20

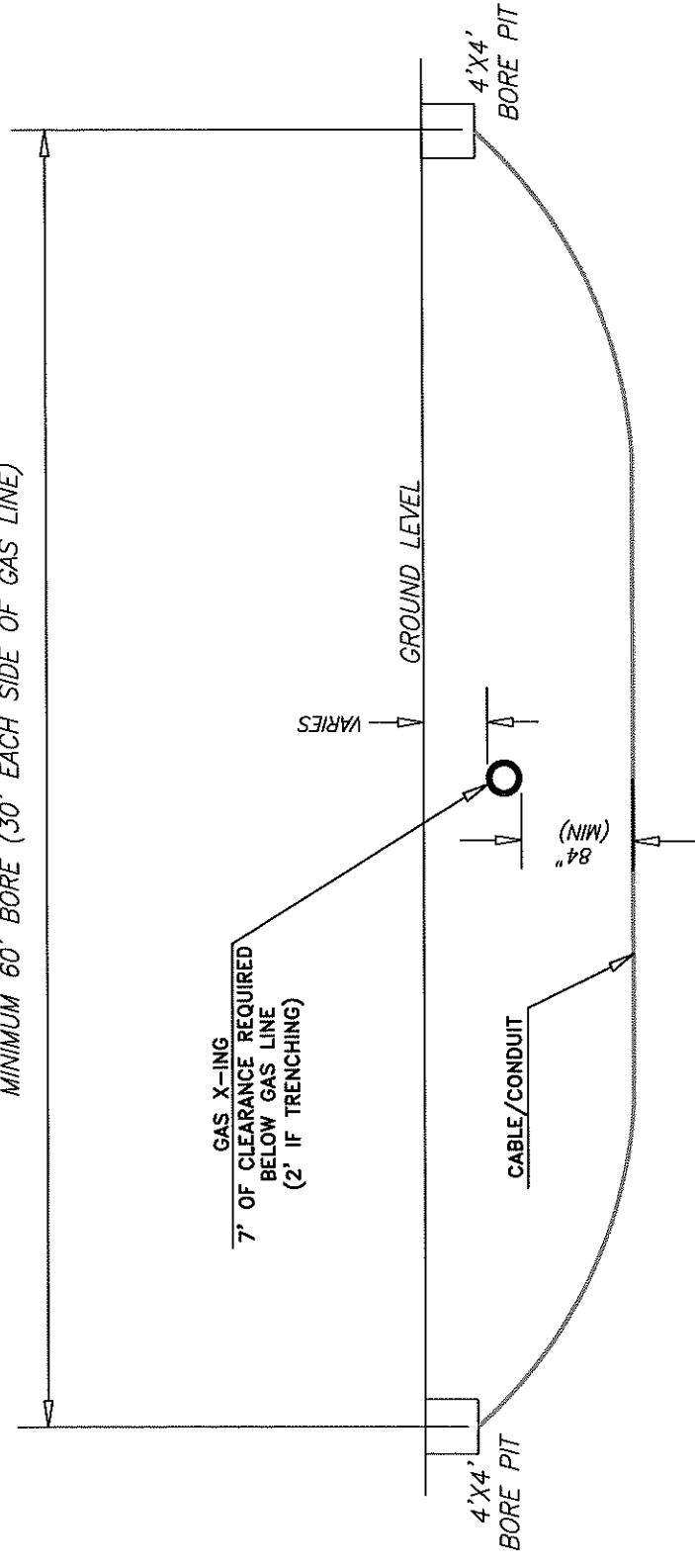
NOTE: ALL DIMENSIONS UNLESS OTHERWISE SPECIFIED ARE IN FEET AND INCHES. DIMENSIONS SHALL BE TO CENTER UNLESS OTHERWISE SPECIFIED. DIMENSIONS SHALL BE TO FACE UNLESS OTHERWISE SPECIFIED. DIMENSIONS SHALL BE TO CENTER UNLESS OTHERWISE SPECIFIED. DIMENSIONS SHALL BE TO FACE UNLESS OTHERWISE SPECIFIED.

SCALE	
B SIZE DWG:	NTS
D SIZE DWG:	NTS
DATE:	
APPROVED:	
SHEET:	

# GAS PIPELINE CROSSING BORE DETAIL

MINIMUM 60' BORE (30' EACH SIDE OF GAS LINE)

GAS X-ING  
 7' OF CLEARANCE REQUIRED  
 BELOW GAS LINE  
 (2' IF TRENCHING)



TYP GAS BORE DET



PROJECT: # RM19--961  
 SEGMENT #CC01295C

PERMIT  
 6/19/20

FiberLight  
 FIBERLIGHT LLC  
 4360 BELTWAY PL  
 ARLINGTON, TX 76018



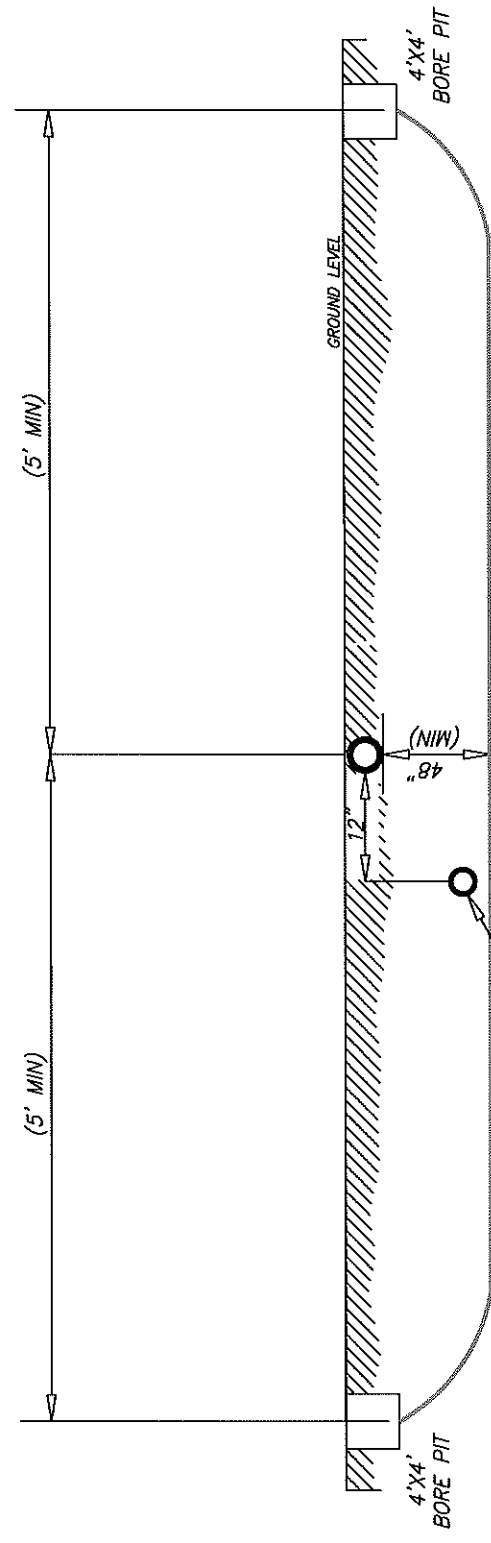
REVISIONS

NO.	DATE	BY	DESCRIPTION
1	6/19/20	NTS	ISSUED FOR PERMIT
2	6/19/20	NTS	REVISION
3	6/19/20	NTS	REVISION
4	6/19/20	NTS	REVISION
5	6/19/20	NTS	REVISION
6	6/19/20	NTS	REVISION
7	6/19/20	NTS	REVISION
8	6/19/20	NTS	REVISION
9	6/19/20	NTS	REVISION
10	6/19/20	NTS	REVISION

SCALE  
 B SIZE DWG: NTS  
 D SIZE DWG: NTS  
 DATE:  
 APPROVED:  
 SHEET:

TYP CULV BORE DET

TYPICAL CULVERT CROSSING BORE DETAIL



PARALLEL BORES  
 WILL MAINTAIN  
 MIN 12" SEPARATION

CABLE/CONDUIT  
 MIN 48" BORE UNDERSIDE  
 OF CULVERT

TYP CULV BORE DET







PROJECT: # RM19-961  
 SEGMENT #C01295C

PERMIT  
 6/19/20

FiberLight  
 FIBERLIGHT LLC  
 4360 BELTWAY PL  
 ARLINGTON, TX 76018



REVISIONS

DATE	DESCRIPTION	BY
8/29/19	ISSUE	LI
10/07/19	REVISION	LI
8/7/20	REVISION	TL

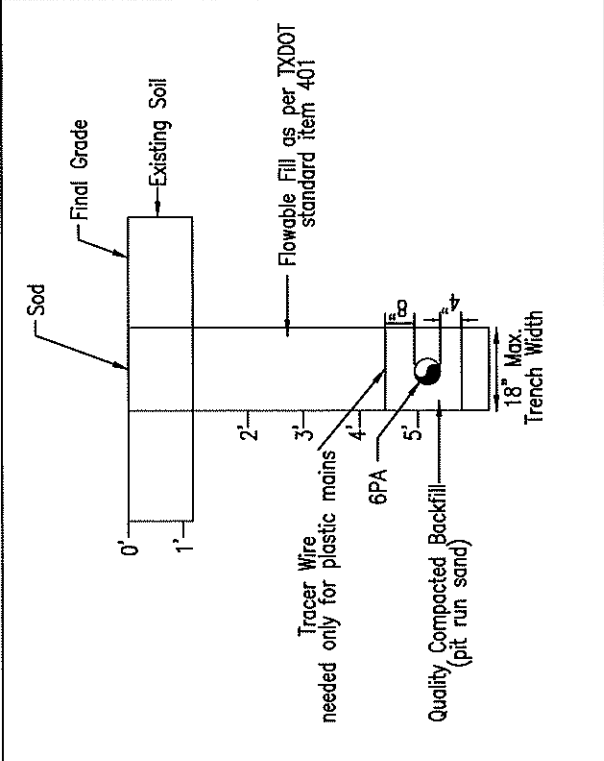
NOTE: ALL DIMENSIONS UNLESS OTHERWISE SPECIFIED ARE IN FEET AND INCHES. DIMENSIONS SHALL BE TO FACE UNLESS OTHERWISE NOTED. CHECK FOR CONFLICTS WITH ALL EXISTING UTILITIES AND STRUCTURES.

SCALE  
 B SIZE DWG: NTS  
 D SIZE DWG: NTS  
 DATE:  
 APPROVED:  
 SHEET:

TRENCH DET2

421 - HYDRAULIC CEMENT CONCRETE (with required SP 421----024)  
 SPECIFICATION REQUIREMENTS

- 1) The following will need to be shown on the plans or require a plan note:
  - A coarse aggregate magnesium sulfate soundness less other than a maximum of 18% (optional)
  - If a value less than 1.0% will be used for the maximum decantation for coarse aggregate (optional)
  - For all concrete subject to direct traffic if an acid insoluble value less than 60% will be used (optional)
  - If blending of fine aggregates to meet the acid insoluble requirement will not be allowed (optional)
  - If a sand equivalent of less than 80 will be used (optional)
  - For Class K concrete if fineness modulus values outside the range of 2.60 and 2.80 will be allowed (optional)
  - If mortar and grout will be used in the project (required)
  - Strength requirements for concrete Classes F, H, K, and HES if used (required)
  - Coarse aggregate grade for Class K and HES if used (required)
  - If the responsibility of the contractor is waived regarding furnishing and maintaining: (optional)
    - o test molds
    - o curing facilities
    - o maturity meters if used,
    - o wheelbarrow or other container acceptable for the sampling of concrete
    - o strength-testing equipment in accordance with the controlling test (ie., compression machine or flexural beam breakers)
- If the contractor will not be responsible for the handling and transportation of test specimens and the cleaning of molds, if needed (optional)
- When sulfate resistant concrete is required (required)
- TXDOT plant/truck inspection/certification in lieu of NRMCA/professional engineer certification for NON-STRUCTURAL CONCRETE ONLY (optional)
- To allow the use of volumetric mixers for structural concrete (optional)
- To designate the use of high performance concrete classes: C(HPC), F(HPC), I(HPC), and S(HPC) (required)
- Designate an alternate strength over-design requirement other than what is in the specification only for Class K, non-structural concrete and Class C concrete not used for bridge class structures (optional)
- Designate dosage rate of corrosion inhibiting admixture if used (required)
- To waive air entrainment requirements for all concrete classes or individual concrete classes (already waived for Class B and drilled shaft concrete) (optional - refer to Bridge and Pavement Design Manuals)
- To other target air contents (currently set at 4.0% for pavements and 5.5% for structural concrete) (optional)

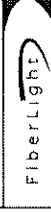


Trench Detail For Earth Excavation Only < 10' from Curb



PROJECT: # RM19-961  
SEGMENT #0001295C

PERMIT  
6/19/20



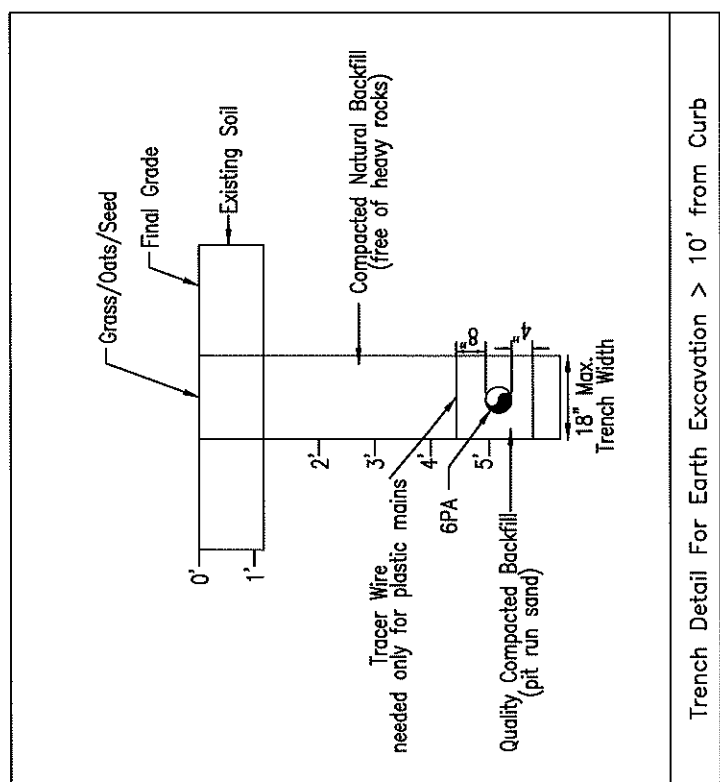
FIBERLIGHT LLC  
4360 BELTWAY PL  
ARLINGTON, TX 76018



REVISIONS	
DATE	DESCRIPTION
8/29/19	ISSUE
10/27/19	REVISION
1/19/20	REVISION
6/19/20	REVISION
-	-
-	-
-	-
-	-
-	-
-	-

SCALE  
B SIZE DWG: NTS  
D SIZE DWG: NTS  
DATE:  
APPROVED:  
SHEET:

TRENCH DET3



Trench Detail For Earth Excavation > 10' from Curb





SEGMENT #FBL

HIDALGO COUNTY, TX

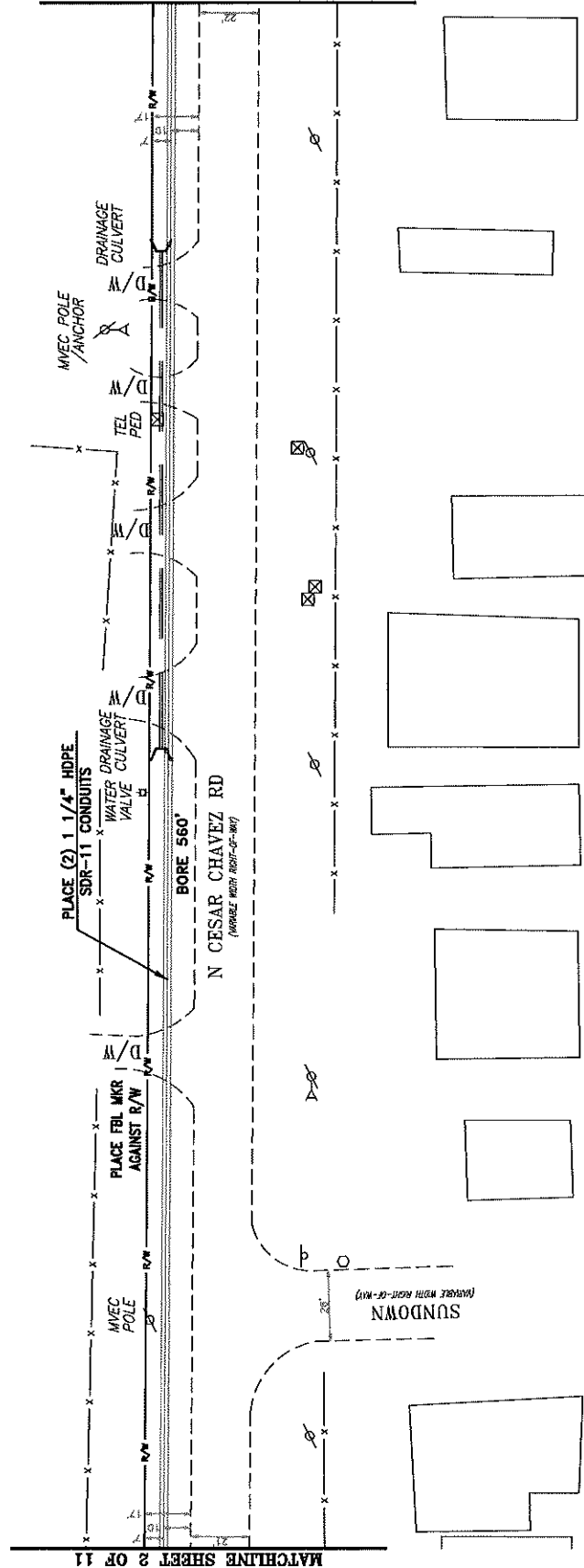
SEGMENT #FBL



INSTALL ONE (1) 48 FIBER OPTIC CABLE (BURIED & AERIAL)  
(2) 1 1/4" HDPE SDR 11 (1 BLACK & 1 BLACK W/ WHITE STRIPE) (BURIED ONLY)  
BORE 560'

9+72

15+32



MATCHLINE SHEET 2 OF 11

MATCHLINE SHEET 4 OF 11

SHEET UNIT TOTALS

NO.	DATE	DESCRIPTION
1	8/29/18	ISSUED
2	10/07/18	REVISION
3	6/19/20	REVISION
4		
5		
6		
7		
8		
9		
10		
11		
12		
13		
14		
15		
16		
17		
18		
19		
20		
21		
22		
23		
24		
25		
26		
27		
28		
29		
30		
31		
32		
33		
34		
35		
36		
37		
38		
39		
40		
41		
42		
43		
44		
45		
46		
47		
48		
49		
50		
51		
52		
53		
54		
55		
56		
57		
58		
59		
60		
61		
62		
63		
64		
65		
66		
67		
68		
69		
70		
71		
72		
73		
74		
75		
76		
77		
78		
79		
80		
81		
82		
83		
84		
85		
86		
87		
88		
89		
90		
91		
92		
93		
94		
95		
96		
97		
98		
99		
100		

SCALE  
B SIZE DWG: 1" = 40'  
D SIZE DWG: 1" = 20'

DATE:  
APPROVED:

SHEET: 3 OF 11

PLAN

CONTRACTORS NOTE:  
ALL UTILITY LOCATIONS ARE APPROXIMATE  
CONTRACTOR IS RESPONSIBLE FOR  
EXACT LOCATIONS.

UTILITY AND ROW REPRESENTED ON PLANS ARE  
FOR INFORMATION ONLY AND ARE BASED  
ON BOUNDARY SURVEY AND FIELD EXPOSURES

NOTE















