



**Hidalgo County  
Planning  
Department**

**T.J. Arredondo, CFM**  
*Director of Planning*

**Main Office**

1304 S. 25<sup>th</sup> Street  
Edinburg, Texas 78542  
Phone (956) 318-2840  
Fax (956) 318-2844

**Precinct No. 3 Substation**

2401 N. Moorefield Road  
Mission, Texas 78572  
Phone (956) 205-7045  
Fax (956) 205-7049

**PIPELINE AND UTILITY PERMIT APPLICATION PACKET**

THE STATE OF TEXAS

COUNTY OF HIDALGO

PRECINCT 3

**APPLICATION AND AGREEMENT FOR PIPELINE OR  
UTILITY PERMIT**

Date: 7/13/20

Texas Gas Service, a Division of One Gas, Inc. (hereinafter referred to as "Applicant") does hereby make application to the Hidalgo County through the Hidalgo County Planning Department (hereinafter referred to as "HCPD") to construct, maintain and repair pipelines or utilities across the easements, right-of-ways, property or property interest as described below.

**Information required:**

1. Name, Address and Phone number of Applicant:

Texas Gas Service, a Division of One Gas, Inc. 956-444-3900  
5602 E. Grimes Road, Harlingen, Texas 78553

2. Name, Address and Phone number of company or agency owning Pipeline or Utility (please indicate if same as Applicant):

same

3. Name, Address and Phone number of operator of Pipeline or Utility (please indicate if same as Applicant):

same

4. Name, Address and Phone number of contractor to install Pipeline or Utility:

Spartan Energy Services PH:(509) 431-3645  
8741 I 76 Service Road, Henderson, CO 80640



**Hidalgo County  
Planning  
Department**

**T.J. Arredondo, CFM**  
*Director of Planning*

**Main Office**

1304 S. 25<sup>th</sup> Street  
Edinburg, Texas 78542  
Phone (956) 318-2840  
Fax (956) 318-2844

**Precinct No. 3 Substation**

2401 N. Moorefield Road  
Mission, Texas 78572  
Phone (956) 205-7045  
Fax (956) 205-7049

**PIPELINE AND UTILITY PERMIT APPLICATION PACKET**

5. Is this a common carrier pipeline or utility? If yes, please submit the Applicant's Texas Railroad Commission Form "T-4" or similar form designating the facility:

Yes, T4 Attached

6. Does Applicant have the Power of Eminent Domain?

Yes

7. Will the product be carried for hire or by the owner of the goods?

By owner

8. Name and Legal description of property owner requesting utility services if applicable:

N/A

9. Type of utility work within county road right-of-way:

Bore Crossing     Line Extension Along R.O.W.     Other improvements to existing line within road ROW

10. Where is the origin of the line?

Monte Cristo Station - NE corner of Monte Cristo Rd & Cantu Rd, McAllen, TX

( 26.359325°, -98.301150°)

11. Where is the destination of the line?

Bates Power Plant - East side Abram Rd, south of FM 493, Palmview, TX

( 26.222478°, -98.401061°)



**Hidalgo County  
Planning  
Department**

**T.J. Arredondo, CFM**  
*Director of Planning*

**Main Office**

1304 S. 25<sup>th</sup> Street  
Edinburg, Texas 78542  
Phone (956) 318-2840  
Fax (956) 318-2844

**Precinct No. 3 Substation**

2401 N. Moorefield Road  
Mission, Texas 78572  
Phone (956) 205-7045  
Fax (956) 205-7049

**PIPELINE AND UTILITY PERMIT APPLICATION PACKET**

12. Utility Crossing Coordinate X: 26.266599° Y: -98.379423°  
(NAD 83 Texas South FIPS 4205 feet)
13. Number and size of lines:  
1 - 6" STEEL
14. Pressure (each line):  
330 PSIG
15. Content (each line):  
Natural Gas
16. Estimated date of installation of Pipeline or Utility:  
As soon as permit gets approved.



**Hidalgo County  
Planning  
Department**

**T.J. Arredondo, CFM**  
*Director of Planning*

**Main Office**

1304 S. 25<sup>th</sup> Street  
Edinburg, Texas 78542  
Phone (956) 318-2840  
Fax (956) 318-2844

**Precinct No. 3 Substation**

2401 N. Moorefield Road  
Mission, Texas 78572  
Phone (956) 205-7045  
Fax (956) 205-7049

**PIPELINE AND UTILITY PERMIT APPLICATION PACKET**

If requested permit is granted by HCPD, Applicant, in consideration thereof, agrees and binds itself as follows:

1. All pipelines or utilities herein will be horizontally placed within the right-of-way as determined by HCPD and at a minimum depth of five (5) feet below natural ground. Depth, horizontal, and vertical location shall be confirmed by HCPD Inspectors.
2. Location map, profile, and plans concerning the proposed pipeline or utility crossing will furnished with this application.
3. HCPD will be notified in writing ten days prior to the beginning date of construction under this permit.
4. Applicant will bear the entire expense of all future relocations of any pipelines or utilities should such relocation, at the sole discretion of the Hidalgo County Commissioners Court, be necessary for improvements, alteration, or maintenance of the Hidalgo County's easement or property of interest.
5. Applicant will notify the HCPD at least 48 hours prior to covering work and or completion of its work and removal of its equipment from the job site to permit HCPD to make an inspection.
6. Upon notification by the HCPD, the Applicant will promptly repair or rectify any deficiency or condition caused by the Applicant's operations or installations under this permit. Applicant will leave easement in as near the same condition or better, in the HCPD's sole judgment, as it existed prior to the commencement of the operations under this permit.
7. Hidalgo County shall not be liable or responsible for, and shall be saved and held harmless by Applicant, and further shall be indemnified by Applicant, from and against any and all suits, actions, losses, damages, claims, or liability of any character, type, or description, including all expenses of litigation, court costs, attorney's fees, and engineering fees for injury or death to any person, or injury to any property, received or sustained by any person or persons or property, arising out of, or occasioned by, directly or indirectly, the performance of Applicant under this agreement, including claims and damages arising in part from the negligence of the Hidalgo County.



**Hidalgo County  
Planning  
Department**

**T.J. Arredondo, CFM**  
*Director of Planning*

**Main Office**

1304 S. 25<sup>th</sup> Street  
Edinburg, Texas 78542  
Phone (956) 318-2840  
Fax (956) 318-2844

**Precinct No. 3 Substation**

2401 N. Moorefield Road  
Mission, Texas 78572  
Phone (956) 205-7045  
Fax (956) 205-7049

**PIPELINE AND UTILITY PERMIT APPLICATION PACKET**

It is the expressed intent of the parties to this agreement that the indemnity provided for in this section is extended by Applicant to indemnify and protect Hidalgo County from the consequences of Hidalgo County's own negligence, whether that negligence is the sole or contributory cause of the resultant injury death, or damage.

Applicant further agrees to defend, at its own expense, with attorneys acceptable to Hidalgo County and on behalf of the Hidalgo County, and in the name of Hidalgo County, any claim or litigation brought against the Hidalgo County in connection with any such injury, death or damage.

Before construction is begun on such pipeline or utility crossings, Applicant will furnish to the HCPD a certificate of insurance (or other security approved by the HCPD) payable to Hidalgo County and protecting Hidalgo County (as an additional named insured) against any claims for personal injuries or damages to property resulting from the operations of Applicant, its agents, servants, employees, and contractors under this permit. Insurance is to be supplied in accordance with the attached Schedule A.

8. Hidalgo County makes no warranties, expressed or implied, in the granting of this permit; nor does Hidalgo County purport to grant any property interest or exclusive privileges whatsoever by granting such permit. It is specifically understood that Hidalgo County is not the agent for, nor does it act for, the fee owners or any persons or entities having any right, or title to possession of the land upon which the Hidalgo County's easement or other property interest is located. Furthermore, in granting this permit Hidalgo County makes no representation or warranty that it has any property interest, including, but not limited to, an easement or right of way, in the land

upon which Applicant constructs, maintains, repairs, or modifies the pipelines or utilities, made the subject of this application, nor does Hidalgo County make any representation or warranty as to the validity, quality or extent of such property interest, if any. Applicant acknowledges its understanding that Hidalgo County in granting this permit, does not convey or grant to Applicant any rights, title or interest for which is has no legal authority to grant or convey.

9. Applicant binds itself to comply with all federal, state, and local laws or regulations and will obtain all necessary permits from all local and federal agencies required by law before installation or construction is begun.



## Hidalgo County Planning Department

**T.J. Arredondo, CFM**  
*Director of Planning*

**Main Office**

1304 S. 25<sup>th</sup> Street  
Edinburg, Texas 78542  
Phone (956) 318-2840  
Fax (956) 318-2844

**Precinct No. 3 Substation**

2401 N. Moorefield Road  
Mission, Texas 78572  
Phone (956) 205-7045  
Fax (956) 205-7049

## **PIPELINE AND UTILITY PERMIT APPLICATION PACKET**

10. Applicant will install its pipelines and utilities in a manner and location as shown in the plans and specifications filed with HCPD in support of this application for permit. Hidalgo County Planning Department's representative may at any time make such inspection as such engineer or other representation may deem necessary to assure that the construction of the pipeline or utilities is in accordance with the plans and specifications submitted, and said engineer or representative shall have the right to temporarily suspend Applicant's work if necessary, while such inspection is being made. Should Applicant not install the pipelines or utilities in accordance with the terms and conditions of this permit, Applicant agrees that the Hidalgo County shall have the right to require, at Applicant's expense, the removal of the pipelines and utilities and its replacement in conformance to said plans and specifications and conditions of this permit. Hidalgo County may revoke this permit and suspend all work hereunder if it is determined by Hidalgo County that the pipelines or utilities are not being installed in accordance with such plans and specifications and conditions of this permit. The suspension or revocation of this permit shall not be a basis for a claim for damages against Hidalgo County.
11. Except in emergency situations where it is necessary to protect life and property, Applicant will not make any change, modification, or alteration in or to the pipelines or utilities without first securing a new or amended permit from Hidalgo County prior to the making of any such change. Applicant will maintain the pipelines or utilities hereby authorized in good and safe condition, and in accordance with plans, specifications, and this permit.
12. Applicant agrees to pay HCPD a permit fee to cover administrative costs in the amount of **\$500.00**, plus a reimbursement to HCPD for any necessary engineering fees which may be incurred for the study and processing of the Application. This fee will permit a single pipeline or utility to be within County right-of-way. Applicant further agrees to pay an additional fee of **\$500.00** for each additional line included in permit application at the same location; however, more than one location may be included in a single application.

Requests to lay additional line or lines, not included in an initial permit application, must be made by separate application, with new permit fees paid accordingly and support data provided.



**Hidalgo County  
Planning  
Department**

**T.J. Arredondo, CFM**  
*Director of Planning*

**Main Office**

1304 S. 25<sup>th</sup> Street  
Edinburg, Texas 78542  
Phone (956) 318-2840  
Fax (956) 318-2844

**Precinct No. 3 Substation**

2401 N. Moorefield Road  
Mission, Texas 78572  
Phone (956) 205-7045  
Fax (956) 205-7049

**PIPELINE AND UTILITY PERMIT APPLICATION PACKET**

Permit fees may be waived where Applicant is a state, county, municipality, or a special political subdivision.

13. The Applicant is allowed one hundred twenty days (120) from the granting of the permit to start construction of the pipelines or utilities crossings. Once started, the Applicant is allowed ninety (90) days to complete all work under such permit. All construction must be completed within two hundred ten (210) days from the date of issuance of permit. Upon application, extension of the time periods set forth in this paragraph may be granted by the Hidalgo County Commissioners Court. Such applications for extension must be received by HCPD at least thirty days before the expiration of the two hundred ten (210) days period. A new permit fee, in accordance with Paragraph 12 hereof, will be charged for each extension granted.

Construction of any pipeline or utility crossing will not begin until written approval has been given by HCPD.

14. All provisions of the Pipeline and Utility Permit Administration Policy of Hidalgo County, if any, and all amendments thereto, are hereby incorporated herein as part of the terms and conditions of this permit for all purposes.
15. Applicant warrants and represents that it has secured from all fee owners of the involved property an easement or other property rights to construct, repair or modify the pipeline or utility in the manner set forth herein.
16. This Pipeline and Utility Permit if granted by Hidalgo County is subject to any and all other requirements, specifications and conditions listed in Exhibit A attached hereto.
17. Hidalgo County requires all coordinates of all utility crossings. Horizontal datum to be in NAD 83 State Plane Texas South 4205 feet and vertical datum in NAVD 88 Geoid 12a.



**Hidalgo County  
Planning  
Department**

**T.J. Arredondo, CFM**  
*Director of Planning*

**Main Office**  
1304 S. 25<sup>th</sup> Street  
Edinburg, Texas 78542  
Phone (956) 318-2840  
Fax (956) 318-2844

**Precinct No. 3 Substation**  
2401 N. Moorefield Road  
Mission, Texas 78572  
Phone (956) 205-7045  
Fax (956) 205-7049

**PIPELINE AND UTILITY PERMIT APPLICATION PACKET**

18. This permit constitutes the entire agreement between the parties with regard to the subject matter hereof, and all prior agreements, representations, and negotiations between the parties regarding the subject matter are hereby superseded. This permit shall not be altered or amended except by an agreement in writing executed by the parties hereto.

19. Applicant warrants and represents that its undersigned representative has full authority to bind Applicant to the terms and conditions of the foregoing Application and Agreement for Pipeline or Utility Permit.

DATED this 20<sup>th</sup> day of July, 2020.

Rene C. Casares

(Name of Applicant – Printed or Typed)

By: [Signature]  
Signature

Title: Engineering Manager

STATE OF TEXAS  
COUNTY OF HIDALGO

SUBSCRIBED AND SWORN TO before me the Applicant,  
Rene C. Casares, on this 20 day of July, 2020,  
to which witness my hand and seal of office.



[Signature]  
Notary Public for the State of Texas

My Commission Expires: 1/29/24



**Hidalgo County  
Planning  
Department**

**T.J. Arredondo, CFM**  
*Director of Planning*

**Main Office**

1304 S. 25<sup>th</sup> Street  
Edinburg, Texas 78542  
Phone (956) 318-2840  
Fax (956) 318-2844

**Precinct No. 3 Substation**

2401 N. Moorefield Road  
Mission, Texas 78572  
Phone (956) 205-7045  
Fax (956) 205-7049

**PIPELINE AND UTILITY PERMIT APPLICATION PACKET**

**APPROVAL OF APPLICATION BY  
HIDALGO COUNTY PLANNING DEPARTMENT**

Came on for consideration this \_\_\_\_\_ day of \_\_\_\_\_,  
20\_\_\_\_. The above and foregoing Application for Pipeline and Utility  
Permit, and after consideration of the same by the Hidalgo County  
Commissioners Court, said Application and Agreement for Pipeline or  
Utility Permit is hereby APPROVED.

HIDALGO COUNTY:

\_\_\_\_\_  
Richard F. Cortez, County Judge



**Hidalgo County  
Planning  
Department**

**T.J. Arredondo, CFM**  
*Director of Planning*

**Main Office**

1304 S. 25<sup>th</sup> Street  
Edinburg, Texas 78542  
Phone (956) 318-2840  
Fax (956) 318-2844

**Precinct No. 3 Substation**

2401 N. Moorefield Road  
Mission, Texas 78572  
Phone (956) 205-7045  
Fax (956) 205-7049

**PIPELINE AND UTILITY PERMIT APPLICATION PACKET**

**EXHIBIT A**

(Please insert description of project location and supporting documents for proposed utility work)

Please see attached.

**RAILROAD COMMISSION OF TEXAS**  
**OVERSIGHT AND SAFETY DIVISION - PIPELINE SAFETY**  
**PIPELINE PERMITTING AND MAPPING SECTION**  
**PERMIT TO OPERATE A PIPELINE IN TEXAS**

11/06/2017

Permit Number: 00534  
Commodity transported: Natural Gas  
Classification: Gas Utility

TEXAS GAS SERVICE COMPANY  
Attn: DEAN LAFLAMME  
FOUR BRTN SKWY 1301 S MOPAC 400  
AUSTIN, Texas 78746

This is to certify that TEXAS GAS SERVICE COMPANY has complied with Railroad Commission rule 16 Tex. Admin. Code §3.70 governing pipelines in accordance with Texas Natural Resources Code, §81.051, and is granted this permit by the Commission to operate the following pipeline or pipelines located in the following county or counties:

Hidalgo, Cameron

RENEWAL ONLY FOR 223.22 MILES.

This permit is valid until the earlier of either one year from the date issued OR until there is a material change in the identity of entity owning the pipeline or pipelines; the entity physically operating the pipeline or pipelines; the entity economically operating the pipeline or pipelines; the commodity being transported in the pipeline or pipelines.

RAILROAD COMMISSION OF TEXAS  
PROCESSED BY: Ryan Hejl

TEXAS GAS SERVICE COMPANY  
Attn: DEAN LAFLAMME  
FOUR BRTN SKWY 1301 S MOPAC 400  
AUSTIN, Texas 78746



SPARENE-01

MLONGACRE

# CERTIFICATE OF LIABILITY INSURANCE

DATE (MM/DD/YYYY)  
7/14/2020

THIS CERTIFICATE IS ISSUED AS A MATTER OF INFORMATION ONLY AND CONFERS NO RIGHTS UPON THE CERTIFICATE HOLDER. THIS CERTIFICATE DOES NOT AFFIRMATIVELY OR NEGATIVELY AMEND, EXTEND OR ALTER THE COVERAGE AFFORDED BY THE POLICIES BELOW. THIS CERTIFICATE OF INSURANCE DOES NOT CONSTITUTE A CONTRACT BETWEEN THE ISSUING INSURER(S), AUTHORIZED REPRESENTATIVE OR PRODUCER, AND THE CERTIFICATE HOLDER.

**IMPORTANT:** If the certificate holder is an ADDITIONAL INSURED, the policy(ies) must have ADDITIONAL INSURED provisions or be endorsed. If SUBROGATION IS WAIVED, subject to the terms and conditions of the policy, certain policies may require an endorsement. A statement on this certificate does not confer rights to the certificate holder in lieu of such endorsement(s).

PRODUCER Jordan-Gray & Associates, Inc. 2915 N. Classen Blvd., Suite 325 Oklahoma City, OK 73106	CONTACT NAME: <b>Matt Longacre</b>	FAX (A/C, No):
	PHONE (A/C, No, Ext): <b>(405) 233-4246</b>	
	E-MAIL ADDRESS: <b>mlongacre@jordan-gray.com</b>	
	INSURER(S) AFFORDING COVERAGE	NAIC #
	INSURER A: <b>National American Insurance Company</b>	<b>23663</b>
INSURED  Spartan Energy Services LLC 710 Industrial Blvd. Medford, OK 73759	INSURER B:	
	INSURER C:	
	INSURER D:	
	INSURER E:	
	INSURER F:	

### COVERAGES CERTIFICATE NUMBER: REVISION NUMBER:

THIS IS TO CERTIFY THAT THE POLICIES OF INSURANCE LISTED BELOW HAVE BEEN ISSUED TO THE INSURED NAMED ABOVE FOR THE POLICY PERIOD INDICATED. NOTWITHSTANDING ANY REQUIREMENT, TERM OR CONDITION OF ANY CONTRACT OR OTHER DOCUMENT WITH RESPECT TO WHICH THIS CERTIFICATE MAY BE ISSUED OR MAY PERTAIN, THE INSURANCE AFFORDED BY THE POLICIES DESCRIBED HEREIN IS SUBJECT TO ALL THE TERMS, EXCLUSIONS AND CONDITIONS OF SUCH POLICIES. LIMITS SHOWN MAY HAVE BEEN REDUCED BY PAID CLAIMS.

INSR LTR	TYPE OF INSURANCE	ADDL INSD	SUBR WVD	POLICY NUMBER	POLICY EFF (MM/DD/YYYY)	POLICY EXP (MM/DD/YYYY)	LIMITS
A	<input checked="" type="checkbox"/> COMMERCIAL GENERAL LIABILITY <input type="checkbox"/> CLAIMS-MADE <input checked="" type="checkbox"/> OCCUR  GEN'L AGGREGATE LIMIT APPLIES PER: <input type="checkbox"/> POLICY <input checked="" type="checkbox"/> PROJECT <input type="checkbox"/> LOC OTHER:			OP84070005	1/3/2020	1/3/2021	EACH OCCURRENCE \$ 1,000,000 DAMAGE TO RENTED PREMISES (Ea occurrence) \$ 100,000 MED EXP (Any one person) \$ 5,000 PERSONAL & ADV INJURY \$ 1,000,000 GENERAL AGGREGATE \$ 2,000,000 PRODUCTS - COMP/OP AGG \$ 2,000,000 S&A Pollution \$ 1,000,000
A	AUTOMOBILE LIABILITY <input checked="" type="checkbox"/> ANY AUTO <input type="checkbox"/> OWNED AUTOS ONLY <input type="checkbox"/> SCHEDULED AUTOS <input type="checkbox"/> HIRED AUTOS ONLY <input type="checkbox"/> NON-OWNED AUTOS ONLY			OP84070005	1/3/2020	1/3/2021	COMBINED SINGLE LIMIT (Ea accident) \$ 1,000,000 BODILY INJURY (Per person) \$ BODILY INJURY (Per accident) \$ PROPERTY DAMAGE (Per accident) \$ \$
A	<input type="checkbox"/> UMBRELLA LIAB <input checked="" type="checkbox"/> OCCUR <input checked="" type="checkbox"/> EXCESS LIAB <input type="checkbox"/> CLAIMS-MADE DED RETENTION \$			OU64320005	1/3/2020	1/3/2021	EACH OCCURRENCE \$ 9,000,000 AGGREGATE \$ 9,000,000 \$
A	WORKERS COMPENSATION AND EMPLOYERS' LIABILITY ANY PROPRIETOR/PARTNER/EXECUTIVE OFFICER/MEMBER EXCLUDED? (Mandatory in NH) <input type="checkbox"/> Y/N If yes, describe under DESCRIPTION OF OPERATIONS below		N/A	OW36910005	1/3/2020	1/3/2021	<input checked="" type="checkbox"/> PER STATUTE <input type="checkbox"/> OTH-ER E.L. EACH ACCIDENT \$ 1,000,000 E.L. DISEASE - EA EMPLOYEE \$ 1,000,000 E.L. DISEASE - POLICY LIMIT \$ 1,000,000

DESCRIPTION OF OPERATIONS / LOCATIONS / VEHICLES (ACORD 101, Additional Remarks Schedule, may be attached if more space is required)

### CERTIFICATE HOLDER

Hidalgo County Planning Dept.  
1304 S. 25th Street  
Edinburg, TX 78539

### CANCELLATION

SHOULD ANY OF THE ABOVE DESCRIBED POLICIES BE CANCELLED BEFORE THE EXPIRATION DATE THEREOF, NOTICE WILL BE DELIVERED IN ACCORDANCE WITH THE POLICY PROVISIONS.

AUTHORIZED REPRESENTATIVE

# LINE 173DD-3 - EMERGENCY VALVE INSTALLATION

## 6" PIPELINE - E. GOODWIN RD. MISSION, TX

### INDEX

SHEET No.	DESCRIPTION
1.	COVER SHEET
2.	PLAN SHEET
3.	6" VALVE ASSEMBLY
4.	2" DUAL FEED LINE
5.	6" VALVE AS BUILT - WELD MAP
6.	6" VALVE AS BUILT - TVC SHEET
7.	2" D.F. AS BUILT - WELD MAP
8.	2" D.F. AS BUILT - TVC SHEET

**CALL BEFORE YOU DIG!**

**1-800-4-A-DIG**

Know what's below.  
Call before you dig. **811**

**THE LONE STAR NOTIFICATION COMPANY**  
AT 1-800-669-8344

MELDEN & HUNT, INC.  
TEXAS REGISTRATION F-1463

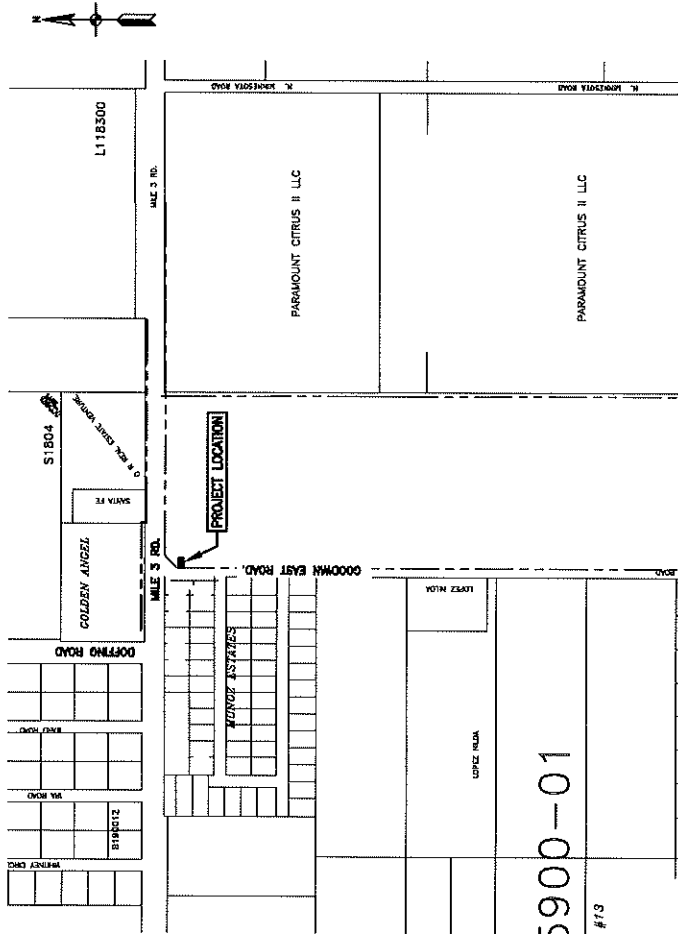


THE SEAL APPEARING ON  
THIS DOCUMENT WAS  
AUTHORIZED BY  
RUBEN JAMES DE JESUS P.E. 126282

4/21/2020

NOTE: THIS DRAWING IS THE PROPERTY OF TEXAS GAS SERVICE CORPORATION AND SHALL NOT BE TRACED, REPRODUCED, COPIED, OR USED FOR ANY PURPOSE WHATSOEVER EXCEPT BY WRITTEN PERMISSION OF TGS. NOT VALID FOR CONSTRUCTION UNLESS CERTIFIED.

APPROXIMATE LOCATION OF EXISTING GAS LINES IS INDICATED TO AVOID DAMAGE TO THE GAS LINES. CONTACT 1-800-DIG-LESS (1-800-344-8377) FOR LOCATIONS AT LEAST 48 HOURS PRIOR TO EXCAVATING.



LOCATION MAP  
1" = 500'

### GENERAL NOTES

- REFER TO THE INSTALLATION OF TGS OWNED GAS LINES, IT IS THE CUSTOMER'S RESPONSIBILITY TO SHADE ALL STREETS, ALLEYS, RIGHAWAYS OR EASEMENTS TO SUBGRADE, 2.50 FEET (6 INCHES).
- ALL SURFACE REMOVALS MADE ON PRIVATE PROPERTY BY TEXAS GAS SERVICE OR ITS AFFILIATES WILL BE TEMPORARY. ALL PERMANENT REMOVALS ARE THE OWNER'S RESPONSIBILITY. CONTRACTOR TO CONTACT TGS ENG. DEPT. PRIOR TO CONSTRUCTION TO VERIFY ASSIGNMENTS OF LINES & SERVICES WHEN APPLICABLE.
- DETERMINATION OF GRADE FOR GAS LINES AT STREET CROSSINGS TO BE DONE IN THE FIELD IN CONJUNCTION WITH PROFILE SHEETS WHEN APPLICABLE.
- ALL INSTALLATION SHALL BE REMOVED FROM JOB SITE UPON COMPLETION OF GAS LINE INSTALLATION.
- 6" COPPER TRACER WIRE TO BE PLACED IN BOTTOM OF TRENCH PARALLEL TO MAIN & SERVICES. ALL WIRE JOINTS SHALL BE IN ACCORDANCE WITH U.S.S. STANDARDS. TRACER WIRE TO BE ONE CONTINUOUS UNIT.
- MARKER TAPE TO BE INSTALLED 1 FOOT BELOW SUBGRADE & PARALLEL TO MAIN & SERVICES.
- DEVELOPER OR ITS REPRESENTATIVE SHALL BE RESPONSIBLE FOR COMPARISON OF BUCKFILL & REQUIRED TESTING IN ACCORDANCE WITH AGENCY AND TEXAS GAS SERVICE STANDARDS.
- CONTRACTOR SHALL VERIFY ALL TRENCHES ARE PROPERLY BACKFILLED TO PREVENT ANY DAMAGE TO EXISTING FACILITIES SHALL BE THE RESPONSIBILITY OF THE CONTRACTOR. CONTRACTOR SHALL SUPPORT EXPOSED UTILITIES AS NECESSARY TO PREVENT DAMAGE.
- 5/8" ANGLE SHALL BE INSTALLED TO TRACER WIRE. TRACER WIRE WILL NOT BE TIED TO WRAPPED STEEL W/AN.
- ALL STUDS MUST BE MARKED BY A 4" POLYETHYLENE SLEEVE WHICH IS 4" IN LENGTH. THE SLEEVES CAN BE PEAKED UP AT TEXAS GAS SERVICE 5602 E. CHAMBERS, HUNTERDON, TEXAS.
- ALL BUCKFILL SHALL BE DIRECTIONAL UNLESS OTHERWISE SPECIFIED.
- CONTRACTOR SHALL VERIFY ALL TRENCHES ARE PROPERLY BACKFILLED TO PREVENT ANY DAMAGE TO EXISTING FACILITIES SHALL BE THE RESPONSIBILITY OF THE CONTRACTOR.
- THE BURIAL DEPTH OF TRENCHES IS REQUIRED TO BE 48" UNLESS OTHERWISE SPECIFIED. ALL PLASTIC PIPE BY FRANK AS A RESULT OF THIS NEW CONSTRUCTION. THE CONTRACTOR WILL BE REQUIRED TO DOCUMENT CERTAIN SPECIFICATIONS ASSOCIATED WITH THE PPE INSTALLED IN YOUR SUBMITTAL.
- AGE OF PE PIPE MUST BE LESS THAN 2 YEAR PRIOR TO INSTALLATION.
- EASEMENT REQUIRED FOR ALL LINES ON PRIVATE PROPERTY.

### HIGH PRESSURE NOTES

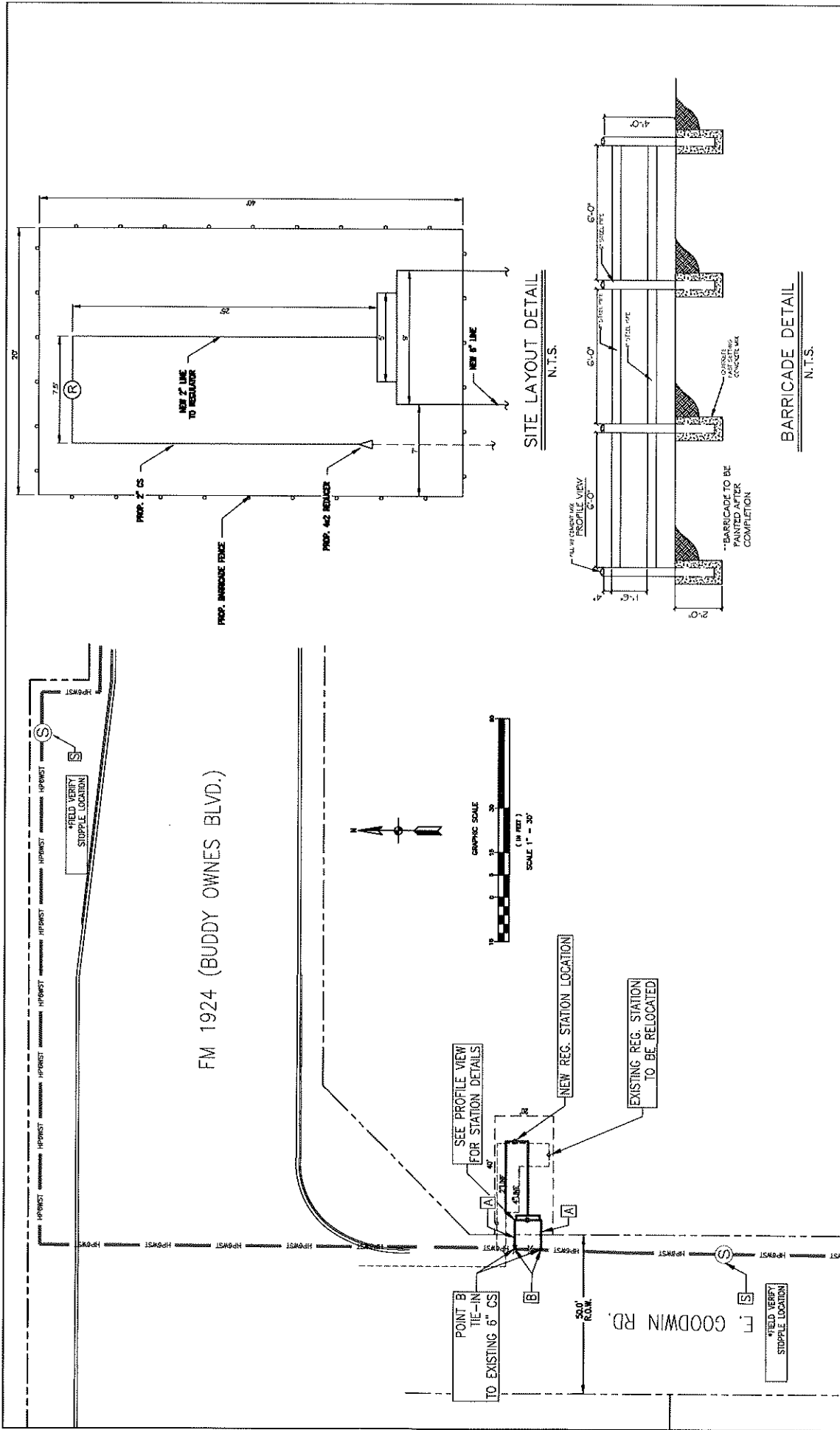
- PRESSURE TEST NEW INSTALLATIONS ACCORDING TO THE ATTACHED MAP FORM IN ACCORDANCE WITH THE TGS STANDARDS.
- COMPARISON OF TRENCHES IN ALL ROOMWAYS SHALL BE DONE IN ACCORDANCE WITH TEXAS GAS SERVICE STANDARDS.
- CONTRACTOR TO FOLLOW CONSTRUCTION WORK ORDER FOR FINAL MATERIAL QUANTITIES AND DESCRIPTIONS.
- AVOID PIPE SEAMS AT 12, 3, 6, OR 9 O'CLOCK POSITIONS.
- CLEAN ALL WELDS INTERNALLY TO PREVENT DAMAGE TO DOWNSTREAM COMPONENTS TO START UP.
- PIPE ASSEMBLY SHALL BE TESTED IN ALL DIRECTIONS ACCORDING TO THE MAP PROVIDED BY ENGINEERING. TEST SHALL INCLUDE JUNCTIONS, REGULAR AND SINGLES IN LIEU OF USING PRE-TESTED PIPE.
- CLEARLY MARK ALL LIE FITTINGS WITH ANGLE AND TAIL LOCATIONS.
- PRELINES SHALL BE AMOUNDED IN ACCORDANCE TO CGS#22.1128. CONTRACTOR TO BE PROVIDED PROCEDURE PRIOR TO START OF AMMOUNTING.
- ALL ABOVE GROUND FACILITIES SHALL BE REMOVED.
- ALL ABOVE GROUND FACILITIES SHALL BE PHYSICALLY DISCONNECTED FROM ALL SUPPLIES OF GAS.
- ALL ABOVE GROUND FACILITIES SHALL BE SECURED ACCORDING TO CONSTRUCTION STANDARD 2602.
- ALL ABOVE GROUND FACILITIES SHALL BE SECURED ACCORDING TO CONSTRUCTION STANDARD 2602.
- A WIND-BREAKER PEN SHALL BE RUN THROUGH THE ENTIRE PRELINE TO REMOVE ANY LIQUIDS THAT MAY HAVE ACCUMULATED.
- ALL LIQUIDS SHALL BE DISPOSED OF ACCORDING TO APPROPRIATE ENVIRONMENTAL STANDARDS.

DRAWN BY C.F.	DATE 1-31-20	17300-3 EMERGENCY VALVE INSTALLATION E. GOODWIN RD. MISSION, TX	SHEET 1
CHECKED BY R.C.	DATE	W.C. N.O. 2019-1001021957	DATE 03-24-2020
SCALE	NOTED	18189	



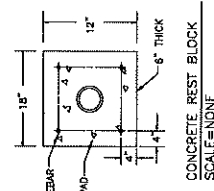
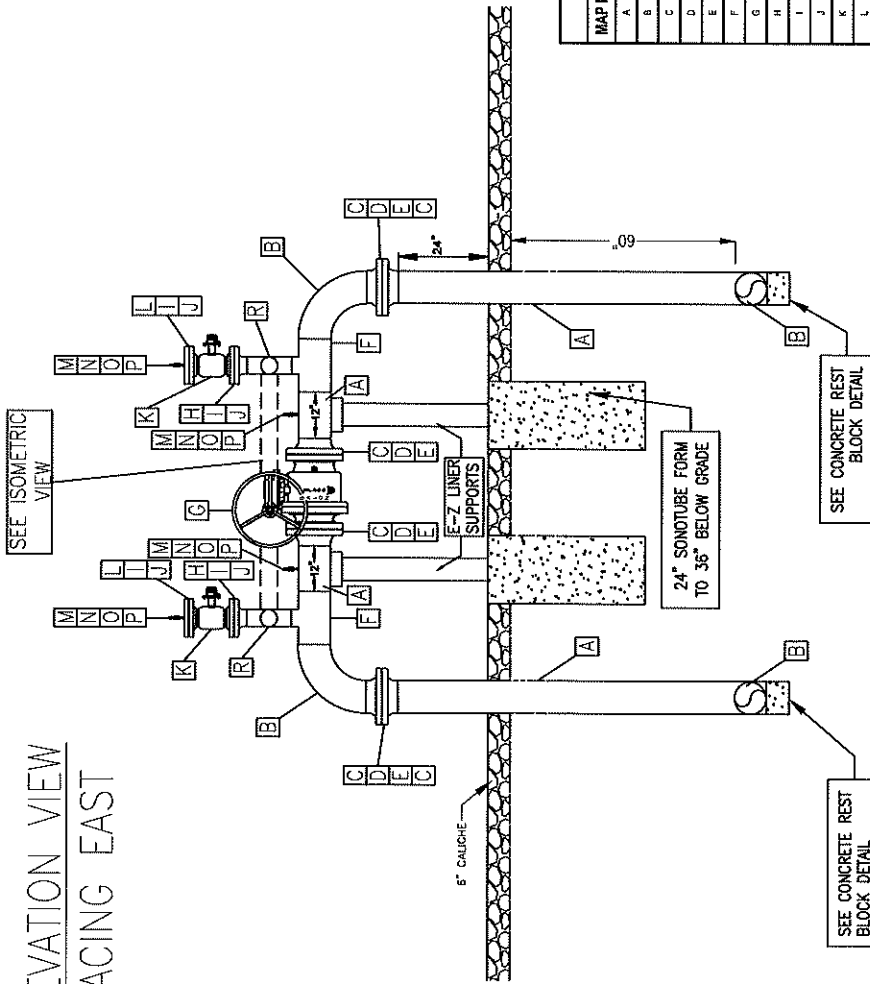
**MELDEN & HUNT, INC.**  
CONSTRUCTION ENGINEERS - SURVEYORS  
2200 W. W. WALKER  
SUITE 1000  
DALLAS, TEXAS 75201  
TEL: 214.343.1100  
FAX: 214.343.1109  
WWW.MELDENANDHUNT.COM

APPROXIMATE LOCATION OF EXISTING GAS LINES IS INDICATED TO AVOID DAMAGE TO THE GAS LINES. CONTACT 1-800-DIG-LESS (1-800-344-8377) FOR LOCATIONS AT LEAST 48 HOURS PRIOR TO EXCAVATING.



DRAWN BY C.F.	DATE 2-19-20	17300-3 EMERGENCY VALVE INSTALLATION E. GOODWIN RD. MISSION, TX	SHEET 2
CHECKED BY R.C.	DATE	W.O. N.O. 2019-1001021957	DATE 02-19-2020
SCALE	NOTED	18189	18189
<p>NOTE: THIS DRAWING IS THE PROPERTY OF TEXAS GAS SERVICE CORPORATION AND SHALL NOT BE TRADED, REPRODUCED, COPIED, OR USED FOR ANY PURPOSE WITHOUT THE WRITTEN PERMISSION OF TGS. NOT VALID FOR CONSTRUCTION UNLESS CERTIFIED.</p> <p>APPROXIMATE LOCATION OF EXISTING GAS LINES IS BLASTING WITHIN TO FEET OF GAS LINES. CONTRACTOR IS RESPONSIBLE FOR VERIFYING THE LOCATION OF THE GAS LINES. CONTACT 1-800-86-TEST (1-800-344-8277) FOR LOCATIONS AT LEAST 48 HOURS PRIOR TO EXCAVATING.</p>		<p><b>Texas Gas Service</b> A Division of ONE Gas</p> <p><b>MELDEN &amp; HUNT INC.</b> CONSULTING ENGINEERS, SURVEYORS 1000 W. W. HWY. 190, SUITE 100 MISSION, TX 79701 PHONE: 817-835-3333 FAX: 817-835-3333 WWW.MELDENANDHUNT.COM</p>	

# ELEVATION VIEW FACING EAST



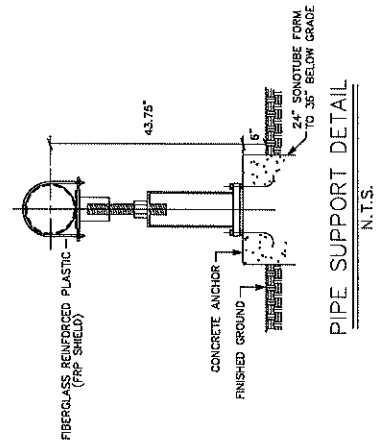
PIPELINE SIZE	REST BLOCK SIZE	CONC. YD. CONC.
6"	18" X 12" X 6"	0.03

- NOTES:
1. CONCRETE SHALL HAVE A MIN. STRENGTH OF 3000 PSI & SHALL BE FURNISHED AND INSTALLED BY CONTRACTOR.
  2. REST BLOCKS TO BE SIZED AS PER CONCRETE REST BLOCK DETAIL.
  3. STEEL REINFORCEMENT OF REST BLOCKS PER ASTM A 615
  4. COAT PIPE WITH EPOXY COATING AND FOLLOW WITH WAX TAPE TO PROTECT EPOXY COATING.

NOTE: THIS DRAWING IS THE PROPERTY OF TEXAS GAS SERVICE CORPORATION AND SHALL NOT BE TRACED, PHOTOCOPIED, OR REPRODUCED IN ANY MANNER, WITHOUT THE WRITTEN PERMISSION OF TGS. THIS CONSTRUCTION UNLESS CERTIFIED.

APPROXIMATE LOCATION OF EXISTING GAS LINES NO BLASTING WITHIN 10 FEET OF GAS LINES. CONTRACTOR RESPONSIBLE FOR ANY DAMAGE TO EXISTING UTILITIES. CONTACT 1-800-900-1000 (T-800-944-8377) FOR LOCATIONS AT LEAST 48 HOURS PRIOR TO EXCAVATING.

DRAWN BY	DATE
G.F.	2-19-20
CHECKED BY	DATE
R.C.	
SCALE	NOTED



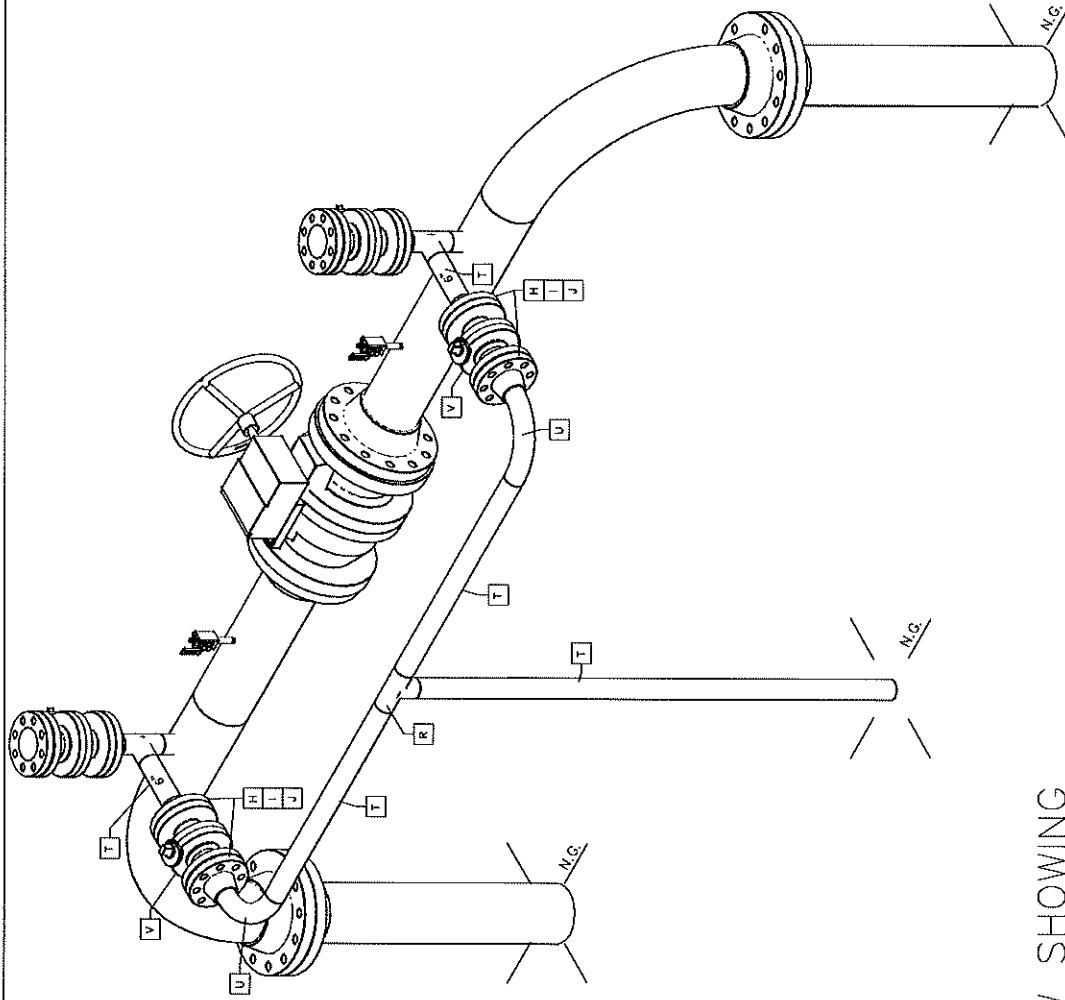
MAP ID	STOCK #	QTY.	UNIT	DESCRIPTION
A	99-10000025	80	LF	PPE STEEL HOSE IN COIL 200 IN WT 2500 PSI 14.5 IN O.D. 1/2 IN WALL THICKNESS 14.5 IN O.D. PER FT 2500 PSI
B	99-12000028	8	EA	FITTING ELBOW 4 IN STEEL WELDED END 2000 PSI
C	99-15000045	6	EA	FLANGE 1/2 IN STEEL WELDED END 2000 PSI
D	18000002	48	EA	FASTENER BOLTS 1/2 IN X 3.5 IN 1/2 IN O.D. WITH 2.5 IN HEX NUTS
E	99-17000036	4	EA	GASKETS AND INSULATING CASING 1/2 IN TYPE FRINGE TYPE INTIBLE COVERED PHENOLIC IN THICKNESS 3/8
F	99-12000048	2	EA	TEE 1/2 IN X 2 IN 1/2 IN O.D. 2000 PSI
G	99-16000038	1	EA	VALVE SOLID BALL 1/2 IN STEEL PER JAWON SERVO VALVE 2000 PSI 1/2 IN O.D. 1/2 IN O.D. 1/2 IN O.D. 1/2 IN O.D. 1/2 IN O.D.
H	99-10000040	6	EA	FITTINGS FLANGES 1/2 IN STEEL WELDED END 2000 PSI
I	18000028	64	EA	FASTENERS BOLTS 1/2 IN X 3.5 IN 1/2 IN O.D. WITH 2.5 IN HEX NUTS
J	99-17000020	8	EA	GASKETS AND INSULATING CASING 1/2 IN TYPE FRINGE TYPE INTIBLE COVERED PHENOLIC IN THICKNESS 3/8
K	99-18000020	2	EA	VALVE FLANGE 1/2 IN STEEL WELDED END 2000 PSI
L	99-18000020	2	EA	FITTINGS FLANGES 1/2 IN STEEL WELDED END 2000 PSI
M	12000020	4	EA	FITTINGS THROUGH BOLTS TO 3/8 IN X 3.5 IN 1/2 IN O.D. 2000 PSI
N	10000020	4	EA	FITTINGS THROUGH BOLTS TO 3/8 IN X 3.5 IN 1/2 IN O.D. 2000 PSI
O	14000021	4	EA	VALVE BALL 1/2 IN STEEL 2000 PSI
P	14000021	4	EA	FITTINGS FLANGES 1/2 IN STEEL WELDED END 2000 PSI
Q	99-14000018	2	EA	FITTINGS THROUGH BOLTS TO 3/8 IN X 3.5 IN 1/2 IN O.D. 2000 PSI
R	99-12000017	2	EA	FITTINGS THROUGH BOLTS TO 3/8 IN X 3.5 IN 1/2 IN O.D. 2000 PSI
S	99-14000018	2	EA	FITTINGS THROUGH BOLTS TO 3/8 IN X 3.5 IN 1/2 IN O.D. 2000 PSI
T	99-14000018	2	EA	FITTINGS THROUGH BOLTS TO 3/8 IN X 3.5 IN 1/2 IN O.D. 2000 PSI
U	99-14000018	2	EA	FITTINGS THROUGH BOLTS TO 3/8 IN X 3.5 IN 1/2 IN O.D. 2000 PSI
V	99-12000015	1	EA	FITTINGS THROUGH BOLTS TO 3/8 IN X 3.5 IN 1/2 IN O.D. 2000 PSI

**Texas Gas Service**  
A Division of ONE Gas

MELDREN & HUNT INC  
CONSTRUCTION SURVEILLANCE  
222 ALBERTA STREET  
DALLAS, TEXAS 75201  
P.O. BOX 201000  
DALLAS, TEXAS 75220

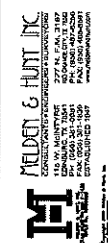
17300-3 EMERGENCY VALVE INSTALLATION  
E. GOODWIN RD.  
MISSION, TX

W.O. N.O. DATE  
18189 2019-1001021957 02-19-2020



ISOMETRIC VIEW SHOWING  
2" DUAL FEED TO LINE REG. #10

DATE	02-11-20	173DD-3 EMERGENCY VALVE INSTALLATION
CHECKED BY	R.C.	E. GOODWIN RD. MISSION, TX
SCALE	NTS	W.O. N.C.
		DATE
		2019-0021957
		02-11-2020
		SHEET
		4



NOTE: APPROXIMATE LOCATION OF EXISTING GAS LINES. NO BLASTING WITHIN 10 FEET OF GAS LINES. CONTRACTOR TO BE RESPONSIBLE FOR IDENTIFYING LOCATIONS TO THE GAS LINES. CONTACT 1-800-DIG-TESTS (1-800-344-8377) FOR LOCATIONS AT LEAST 48 HOURS PRIOR TO EXCAVATING.

NOTE: THIS DRAWING IS THE PROPERTY OF TEXAS GAS SERVICE CORPORATION AND SHALL BE KEPT IN CONFIDENTIALITY. IT IS NOT TO BE REPRODUCED IN ANY MANNER, NOR USED FOR ANY PURPOSE WHATSOEVER EXCEPT BY WRITTEN PERMISSION OF TGS. NOT VALID FOR CONSTRUCTION UNLESS CERTIFIED.