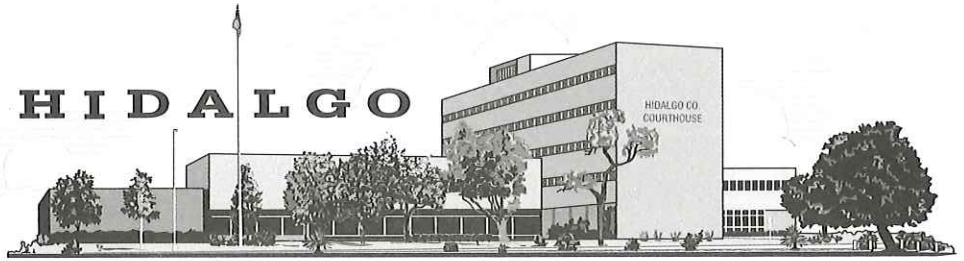


COUNTY of HIDALGO



EDINBURG, TEXAS 78539

HIDALGO COUNTY AUDITOR'S OFFICE
Hidalgo County Administration Building
2808 South Business Highway 281
Edinburg, Texas 78539-6243
PHONE: (956) 318-2511
FAX: (956) 318-2577
WEBSITE: www.co.hidalgo.tx.us/auditor

November 16, 2020

The Honorable Richard Cortez, Hidalgo County Judge
The Honorable David Fuentes, Commissioner, Precinct No. 1
The Honorable Eduardo "Eddie" Cantu, Commissioner, Precinct No. 2
The Honorable Jose M. Flores, Commissioner, Precinct No. 3
The Honorable Ellie Torres, Commissioner, Precinct No. 4

RE: Certification of Revenue

Dear Judge and Commissioners:

Pursuant to Local Government Code § 111.07075 SPECIAL BUDGET FOR REVENUE RECEIVED AFTER START OF FISCAL YEAR.

The county auditor shall certify to the commissioners court the receipt of revenue from a new source not anticipated before the adoption of the budget and not included in the budget for that fiscal year. On certification, the court may adopt a special budget for the limited purpose of spending the revenue for general purposes or for any of its intended purposes.

I, Maria Arcilia Duran, County Auditor of Hidalgo County, certify to the Hidalgo County Commissioners Court the revenue received from transfers from Jail Commissary Trust Fund in the amount of \$194,701.00 to fund the purchase of a prisoner transportation bus for the Adult Detention Facility. These funds may now be made available by creating a new special budget or amending a current budget for its intended purposes.

CERTIFIED BY:



Maria Arcilia Duran, CPA
Hidalgo County Auditor

11-16-20

Date

HIDALGO COUNTY DISTRICT JUDGES

LUIS M. SINGLETERRY JUDGE, 92ND D.C. FERNANDO MANCIAS JUDGE, 93RD D.C. J. R. "BOBBY" FLORES JUDGE, 139TH D.C. ROSE GUERRA REYNA JUDGE, 206TH D.C. MARLA CUELLAR JUDGE, 275TH D.C. MARIO E. RAMIREZ, JR. JUDGE, 312ND D.C. NOE GONZALEZ JUDGE, 376TH D.C. OVERSEER LETICIA LOPEZ JUDGE, 389TH D.C. L. KENIO VASQUEZ JUDGE, 398TH D.C. ISRAEL RAMON, JR. JUDGE, 430TH D.C. RENEE R. BETANCOURT JUDGE, 448TH D.C. YSMAEL D. FONSECA JUDGE, 464TH D.C.



Valeria Rios <valeria.rios@auditor.co.hidalgo.tx.us>

Fwd: Certification of Revenues Request for \$194,701.00 (Jail Commissary)

1 message

Linda Fong <linda.fong@auditor.co.hidalgo.tx.us>
To: Valeria Rios <valeria.rios@auditor.co.hidalgo.tx.us>
Cc: Nereyda Gonzalez <nereyda.gonzalez@auditor.co.hidalgo.tx.us>

Mon, Nov 16, 2020 at 10:18 AM

Please prepare the certification of revenues and submit it to me by 2:00 pm today.

Thank you,

Linda Fong

First Assistant Auditor
Hidalgo County Auditor's Office
2808 South Business Highway 281, Edinburg, Texas 78539
Phone: (956) 318-2511 ext. 4668
Fax: (956) 318-2577
Email: linda.fong@auditor.co.hidalgo.tx.us

CONFIDENTIALITY NOTICE

This transmission is intended for the sole use of the individual and/or entity to whom it is addressed, and may contain information and/or attachments that are privileged, confidential and exempt from disclosure under applicable law. If the reader of this transmission is not the intended recipient, you are hereby notified that any disclosure, dissemination, distribution, duplication or the taking of any action in reliance on the contents of this transmission by someone other than the intended addressee or its designated agent is strictly prohibited. If your receipt of this transmission is in error, please notify the sender by replying immediately to this transmission and destroy the transmission. Thank you.

----- Forwarded message -----

From: **Sabrina Solis** <sabrina.solis@hidalgo.org>
Date: Mon, Nov 16, 2020 at 10:12 AM
Subject: Certification of Revenues Request for \$194,701.00 (Jail Commissary)
To: Arcilia Duran <Arcilia.Duran@auditor.co.hidalgo.tx.us>
Cc: linda.fong <linda.fong@auditor.co.hidalgo.tx.us>, letty.chavez <letty.chavez@auditor.co.hidalgo.tx.us>, Emilia Uriegas 1489 <emilia.uriegas@hidalgo.org>

Ms. Duran:

This is to formally request the certification of revenues in the amount of \$194,701.00 (Jail Commissary Account Program 2102) in reference to AI# 78252 for CC agenda of 11/17/2020.
Should you require additional information, feel free to contact our office.

Respectfully,

Sabrina Solis, MBA
Accountant IV
Hidalgo County Sheriff's Office • Financial Services Division
Edinburg, Texas 78542 • Phone: (956) 393-6151
sabrina.solis@hidalgo.org

AI-78252

Sheriff's Office 7. A.

CC REGULAR AGENDA SPECIAL MTG

Meeting Date: 11/17/2020
Submitted By: Sabrina Rodriguez, SHERIFF DEPT.
Department: SHERIFF DEPT.

Information

CAPTION

Jail Commissary (2102):

Approval of Certification of Revenues as certified by the County Auditor and appropriation of funds in the amount of \$194,701.00.

BACKGROUND

To certify the revenues (\$194,701.00) previously transferred from Jail Commissary bank account for purchase of a Prisoner Transport Bus.

Pursuant to 351.0415(c)(5), Sheriff's Office purchase of a Prisoner Transport Bus for the Adult Detention Facility, aka, County Jail, through HC's contract # C-20-494-11-03 awarded vendor, Long Horn Bus Sales (D.B.A. Long Horn Int. Truck LTD) in the amount of \$194,701.00 (awarded through AI 78101).

Fiscal Impact

CALENDAR YEAR:	2020	ACCT. #:	0-2102-423-21-280-015-0-752
FUNDS AVAILABLE Y/N?:	Y	MATCHING FUNDS Y/N?:	N

BUDGETARY IMPACT:

Funding is provided by the Jail Commissary Bank Account.

Attachments

COR Request

BA

Legal's Approval

C-20-494-11-03

Proposal

Jail Commissary Req.

Form Review

Inbox	Reviewed By	Date
Emilia Uriegas	Emilia Uriegas	11/10/2020 03:52 PM
Budget & Management	Veronica Ortiz	11/10/2020 05:31 PM
Final Approval	Monica Salinas	11/13/2020 06:18 PM
Form Started By: Sabrina Rodriguez		Started On: 11/10/2020 12:27 PM
Final Approval Date: 11/13/2020		

DATE: November 10, 2020
DEPARTMENT HEAD: J. E. "Eddie" Guerra
DEPARTMENT NAME: Jail Commissary
ACCOUNT NUMBER: 0-2102-423-21-280-015-0-752

SUBJECT: **Budget Amendments (Increases) in Accordance with Local Government Code, Chapter 111, Subchapter C**

Honorable Commissioners' Court of Hidalgo County:

I would like to request the following Amendments (increases) to my budget in accordance with Local Government Code, Chapter 111, Subchapter C

INCREASE ACCOUNT NUMBER(S)	ACCOUNT OBJECT NAME	AMOUNT
0-2102-423-21-280-015-0-752	Jail Commissary - Machinery & Equipment	194,701.00
0-2102-391-03-000-426-0-000	Transfer In - Jail Commissary Trust Fund	194,701.00

TOTAL APPROPRIATIONS 194,701.00

REASON: To appropriate funds for the purchase of a Prisoner Transport Bus for the Hidalgo County Adult Detention Center.


 DEPARTMENT HEAD SIGNATURE

11/10/20
 DATE

APPROVED COMMISSIONERS' COURT

ATTEST COUNTY CLERK



OFFICIAL HIDALGO COUNTY RECEIPT
OFFICE OF THE COUNTY TREASURER
LITA L. LEO

Receipt No: 252164

Received From: SHERIFF'S JAIL COMMISSARY 11/10/20

Date 11/12/20

1	5893	FUNDING FOR PRISONER TRANSPORT BUS	194,701.00
		0-2102-391-03-000-426-0-000	

Total: 194,701.00

Check Total 194,701.00

Cash Total .00

Credit Total .00

Other Total .00

HIDALGO COUNTY SHERIFF'S OFFICE
REVENUE REMITTANCE FORM
November 10, 2020

TO: HIDALGO COUNTY TREASURER

THE FOLLOWING REMITTANCE REPRESENTS COLLECTIONS FOR:

1. Sheriff's Office - Court Ordered Confiscations \$ _____
(Seizure made prior to October 18, 1989)

- A. Credit Account Number: _____
- B. Actual date property seizure was made: _____
- C. Funds were awarded by District Court No. _____
on _____ CAUSE # _____
- D. These Funds must be Appropriated through Commissioner's
Court before they can be expended.

2. Undistributed Sheriff Fines and Court Costs ("D" Account) \$ _____

- A. Credit Account Number: _____
- B. For Receipts Issued from No. _____ to No. _____
- C. For Date(s) _____

3. Sheriff's Office - Court Ordered Confiscations \$ _____
(Seizure made on October 18, 1989 and thereafter)

- A. Credit Account Number: _____
- B. Actual date property seizure was made: _____
- C. Funds were awarded by District Court No. _____
on _____ CAUSE # _____
- D. These Funds must be Appropriated through Commissioner's
Court before they can be expended.

4. Sheriff's Office - Jail Commissary Trust Funds \$ 194,701.00

- A. Credit Account Number: 0-2102-391-03-000-426-0-000
- B. For Payment of Prisoner Transport Bus Purchase
for the Hidalgo County Adult Detention Center
- C. The purchase is being done following Section 351.0415 of the Texas Local Government Code.

GRAND TOTAL REMITTED TO TREASURER \$ 194,701.00

APPROVED BY: Emilia Mijang 11/10/20
HIDALGO COUNTY SHERIFF OR DESIGNEE DATE

PREPARED BY: Sabrina Polix _____
ACCOUNTANT IV TREASURER'S RECEIPT NO.



HIDALGO COUNTY JAIL COMMISSARY

P.O. BOX 1228
EDINBURG, TX 78540
PH. 956-381-7900 EXT. 7928



Lone Star
National Bank

www.lonestarnationalbank.com
88-1168/1149

5893

11/10/2020

PAY TO THE
ORDER OF

Hidalgo County Treasurer

\$ **194,701.00

One Hundred Ninety-Four Thousand Seven Hundred One and 00/100*****

DOLLARS

Hidalgo County Treasurer

VOID AFTER 90 DAYS

AUTHORIZED SIGNATURE

MEMO

Funding for Purchase of a Prisoner Transport Bus

⑈005893⑈ ⑆114911687⑆ 710 15949⑈

HIDALGO COUNTY JAIL COMMISSARY

Hidalgo County Treasurer

5893

11/10/2020

Funding for Purchase of a Prisoner Transport Bus

194,701.00

Cash on Deposit - LS Funding for Purchase of a Prisoner Transport Bu

194,701.00

HIDALGO COUNTY JAIL COMMISSARY

Hidalgo County Treasurer

5893

11/10/2020

Funding for Purchase of a Prisoner Transport Bus

194,701.00

Cash on Deposit - LS Funding for Purchase of a Prisoner Transport Bu

194,701.00

From: "Lt Steve Caro" <steve.caro@hidalgo.org>
To: joshua.kaltenbach@hidalgo.org
Subject: Fwd: Commissary Expense- Inmate Long-Transport Bus Purchase
Date: 10/29/2020 2:54:29 PM

Lt. Steve Caro
Administration / Finance Division
711 El Cibolo Road
Edinburg, Texas
Office: (956) 393-6005
Cell: (956) 292-6605

----- Original Message -----

From: "David Cantu" <david.cantu@da.co.hidalgo.tx.us>
Sent: 10/19/2020 9:44:21 AM
To: "friedlein, david" <David.friedlein@hidalgo.org>
Cc: "Josephine Ramirez" <josephine.ramirez@da.co.hidalgo.tx.us>, "Victor Garza" <victor.garza@da.co.hidalgo.tx.us>, steve.caro@hidalgo.org
Subject: Commissary Expense- Inmate Long-Transport Bus Purchase

Good Morning Mr. Friedlein,

Our office reviewed the request your office sent regarding the prospective purchase of an inmate long-transport bus and the use of commissary funds. Our office's recommendation is as follows:

You have identified and represented that the use of the long-transport bus would fall within the scope of "fund physical plant improvements, technology, equipment, programs, services, and activities that provide for the well-being, health, safety, and security of the inmates and the facility" under §351.0415(c)(5) Tex. Local Gov't Code. As our office has advised in the past, the use of the commissary funds is guided by the Texas Local Gov't Code. The Local Government Code dictates that the sheriff or the sheriff's designee may use commissary proceeds for a limited number of purposes, including the purchase of "fund physical plant improvements, technology, equipment, programs, services, and activities that provide for the well-being, health, **safety, and security of the inmates and the facility.**" See Tex. Loc. Gov't Code §351.0415(c)(5)

As you have represented that the proposed purchase of the long-transport bus, is intended for the well-being, health, safety, and security of the inmates and the facility; and without further guidance that such a purchase is not permitted by section 351.0415(c)(5), it is within the Sheriff's discretion to use these funds for this purpose.

Again, as we have previously advised, although the sheriff has exclusive control over the funds, the sheriff's determination of the appropriateness of these expenditures is subject to judicial review under an abuse of discretion standard, as well as administrative review by the Commission on Jail Standards.

Please let us know if there are any questions or concerns.

Sincerely,

--

David R. Cantu

Assistant District Attorney
Civil Litigation Division
Office of the Criminal District Attorney
Hidalgo County, Texas
100 E. Cano
Edinburg, Texas 78539
(956) 292-7609
(956) 292-7619 FAX
david.cantu@da.co.hidalgo.tx.us

THE STATE OF TEXAS §
 §
COUNTY OF HIDALGO §

REQUIREMENTS AGREEMENT
C-20-494-11-03

THIS AGREEMENT (the "Agreement") is entered into effective the 3rd day of **November, 2020** by and between **Longhorn Bus Sales**, ("Seller") and the County of Hidalgo, Texas ("County")

WHEREAS, County has solicited sealed bids through RFB No. 2020-494-10-21-JAG for the **“Purchase of a Prisoner Transport Bus”** (the “Products”), as further described in the Request for Bid (RFB) Procurement Packet, which is attached hereto as Exhibit “A” and incorporated herein by reference for all purposes (the "RFB"); and

WHEREAS, Seller has submitted a bid to supply County requirements in accordance with the specifications as detailed in the Request for Bids (RFB) Procurement Packet and response to bid being attached hereto as Exhibits “A” and “B” respectively, and incorporated herein for all purposes (the “Specifications”); and

WHEREAS, County has determined that Seller has submitted the lowest and best bid to meet County's requirements for the Products, as herein after described.

NOW, THEREFORE, for and in consideration of the mutual covenants and conditions hereinafter set forth, and other good and valuable consideration, the receipt and sufficiency of which is hereby acknowledged, the parties hereto agree as follows:

1. County and Seller hereby agree that this Agreement is entered into in order to provide the Goods, for Hidalgo County Sheriffs’ Office.

2. **Term.** County agrees to purchase from Seller, and Seller agrees to sell and deliver to County, the product listed in Exhibit “B” that County may require in the area of HIDALGO COUNTY. This agreement is for a period of one (1) year, effective **November 03, 2020** and will terminate **November 02, 2021** or unless sooner terminated as provided herein, and it is agreed that the Goods will meet the Specifications in the Request for Bids (RFB) Procurement Packet set forth in Exhibit “A” attached hereto. The Seller will not begin to work or incur costs until authorized in writing by the County with the release of an authorized **“Purchase Order”**.

3. **Consideration.** As consideration for rendering the Service provided for in this Contract, the County agrees to pay Company the amounts specified in Exhibit “B” attached hereto payable against written invoice submitted by Company in accordance with the Texas Prompt Payment Act, Tex. Govt. Code Ch. 2251.

4. **Inspection of Work.** The County has the right at all reasonable times to inspect or otherwise evaluate the work performed hereunder and the premises in which it is being performed.

If any inspection or evaluation is made on the premises of the Seller, or of a subcontractor, the Seller shall provide and require its subcontractor to provide all reasonable facilities and assistance for the safety and convenience of the inspectors in the performance of their duties. All inspections and evaluations shall be performed in such a manner as will not unduly delay their work.

5 **Amendments.** If it becomes necessary at any time during this Agreement to change the scope of services, the Agreement period, the maximum amount payable, the complexity, or the character of this Agreement, an amendment must be prepared and executed within the agreement period. The County retains the right to reject any such amendment proposed by the Seller. Any such amendments shall be made in writing, agreed to by all parties hereto, and duly executed before the end of the Agreement as specified. If the County finds it necessary to require changes in completed work because of errors made by the Seller, the County shall require the Seller to correct the work at no cost to the County and without amendment to the Agreement. If the changes are made at the request of the County and are not due to errors of the Seller, the County will reimburse the Seller for the additional work at the same rate of pay established in Exhibit "B" Bid Page. If payment for the additional work will cause the maximum amount payable under this Agreement to be exhausted, an amendment shall be proposed in accordance with all State procurement laws.

6. When County determines that it needs a quantity of the Products to be delivered, it will, according to its Purchasing Policies, complete and submit to Seller a Purchase Order describing the type and quantity of the Products required. The Products are to be delivered by Seller to the location in Hidalgo County specified by County in its Purchase Order.

7. County agrees to pay Seller for each Purchase Order based on the prices set out in Exhibit "B". Seller shall render invoices for each Purchase Order, and the invoices shall be paid by County in accordance with the Texas Prompt Payment Act, Tex. Govt. Code Ch. 2251.

8. Seller agrees in Producing/Delivering the Goods using professional standards, comply with any and all appropriate laws and regulations in providing the Goods, and devote such time as is necessary to safely and efficiently provide the Goods.

9. Seller represents that it is licensed by the State of Texas and qualified to perform and execute the services provided above. If such license is suspended or revoked, this Contract shall automatically be terminated and Seller shall immediately notify the County.

10. Seller must comply with all applicable laws and regulations of the State of Texas, and County policies. Notwithstanding the foregoing sentence, Seller represents and maintains that Seller is an independent Contractor and is not an employee of the County, or any agency thereof, and represents and warrants that Seller does not desire or request any fringe benefits provided to employees of County, and/or any agency of the County.

11. **Non-Exclusive Services of Seller.** Hidalgo County reserves the right to request this Good from other sources other than the Surveyor and shall not be in violation of any terms or conditions of this Agreement

12. **Indemnification:** Seller will indemnify and hold County harmless from any and all claims, actions, liability, and expenses (including costs of judgments, settlements, court costs, and attorneys' fees, regardless of the outcome of such claim or action) caused by, resulting from, or alleging negligent or intentional acts or omissions or any failure to perform any obligation undertaken or any covenant in this Contract, whether such act, omission, or failure was the Seller's or that of any person providing services hereunder through or for the Seller. Upon written notice from the County, the Seller will resist and defend at its own expense, and by counsel reasonably satisfactory to County, any such claim or action. The Seller will carry proper insurance with the County as an additional named insured.

13. **Conflict with Applicable Law.** Nothing in this Agreement shall be construed so as to require the commission of any act contrary to law, and whenever there is any conflict between any provision of this Agreement and any present or future law, ordinance or administrative, executive or judicial regulation, order or decree, or amendment thereof, contrary to which the parties have no legal right to contract, the latter shall prevail, but in such event the affected provision or provisions of this Agreement shall be modified only to the extent necessary to bring them within the legal requirements and only during the time such conflict exists.

14. **No Waiver.** No waiver by County of any breach of any provision of this Agreement shall be deemed to be a waiver of any preceding or succeeding breach of the same or any other provision hereof.

15. **Entire Agreement.** This Agreement contains the entire contract between the parties hereto, and each party acknowledges that neither has made (either directly or through any agent or representative) any representations or agreements in connection with this Agreement not specifically set forth herein. This Agreement may be modified or amended only by an agreement in writing executed by County and Seller, and not otherwise.

16. **Texas Law to Apply.** This Agreement shall be construed under and in accordance with the laws of the State of Texas, and all obligations of the parties created hereunder are performable in Hidalgo County, Texas. The parties hereby consent to personal jurisdiction in Hidalgo County, Texas.

17. **Notice.** Except as may be otherwise specifically provided in this Agreement, all notices, demands, requests or communications required or permitted hereunder shall be in writing and shall either be (i) personally delivered against a written receipt, or (ii) sent by registered or certified mail, return receipt requested, postage prepaid and addressed to the parties at the addresses set forth below, or at such other addresses as may have been theretofore specified by written notice delivered in accordance herewith:

If to County: Hidalgo County
Attention: County Judge
100 East Cano, 2nd Floor (Admin. Bldg.)
Edinburg, Texas 78539

Copy to Hidalgo County Sheriff's Office
Attention: Sgt. Joshua Kaltenbach
711 El Cibolo Road
Edinburg, Texas 78542

Copy to Hidalgo County Purchasing Department
Attention: Jorge Garza
2812 S. Bus. HWY 281
Edinburg, TX 78539

If to Seller: Longhorn Bus Sales
Attention: Cheryl Bell
Address: 9100 N. Loop
Houston, TX, 77029

Each notice, demand, request or communication which shall be delivered or mailed in the manner described above shall be deemed sufficiently given for all purposes at such time as it is personally delivered to the addressee or, if mailed, at such time as it is deposited in the United States mail.

18. **Termination.** This Agreement may be terminated by County without cause upon thirty (30) days written notice.

19. **Additional Documents.** The parties hereto covenant and agree that they will execute such other and further instruments and documents as are or may become necessary or convenient to effectuate and carry out the terms of this Agreement.

20. **Successors.** This Agreement shall be binding upon and inure to the benefit of the parties hereto and their respective heirs, executors, administrators, legal representatives, successors, and assigns where permitted by this Agreement.

21. **Assignment.** This Agreement shall not be assignable.

22. **Headings.** The headings and captions contained in this Agreement are solely for convenient reference and shall not be deemed to affect the meaning or interpretation of any provision or paragraph hereof.

23. **Gender and Number.** All pronouns used in this Agreement shall include the other gender,

whether used in the masculine, feminine or neuter gender, and the singular shall include the plural whenever and as often as may be appropriate.

24. **Authority to Execute.** The execution and performance of this Agreement by County and Seller have been duly authorized by all necessary laws, resolutions or corporate action, and this Agreement constitutes the valid and enforceable obligations of County and Seller in accordance with its terms.

25. **Insurance.** Consistent with its status as an independent contractor and at its sole expense, Company agrees that throughout the duration of the work under this contract and any extension hereof, it shall provide and maintain any and all insurances and abide by any requirements which are specified in the Procurement Packet and/or which may be necessary in providing Services or are otherwise required by law. Insurance policies shall cover, but are not limited to, Bidder's activities and all persons, vehicles, equipment and property connected with providing Services. The amount of insurance required shall be in accordance with amounts specified by the County or as prescribed by law, but in no event shall any amount be less than the minimum amounts prescribed by law, including, but not limited to the Texas Tort Claims Act. These requirements do not establish limits of Company's liability. Any and all applicable insurance requirements and amounts are incorporated herein by reference for all purposes. Company is responsible for ensuring all required insurance policies are valid for the duration of the contract. All insurance policies are to be issued by an insurance company authorized to do business in the State of Texas and acceptable to County. Company shall cause all subcontractors utilized by Company to also comply with these specifications. Company shall furnish to County certificate(s) of coverage, and all renewals throughout the duration of the Project, issued by the insurer that such insurance is in full force and effect. (See Exhibit "C" attached hereto and incorporated herein for all purposes). For each applicable policy, Company shall name the County as an additional insured. Company shall notify County a minimum of thirty (30) days in advance of cancellation of all or part of a policy. Company shall make any other insurance documentation available to County upon request.

26. **Commitment of Current Revenues Only.** In the event that, during any term hereof, the Commissioners Court does not appropriate sufficient funds to meet the obligations of County under this Agreement, County may terminate this Agreement upon ninety (90) days written notice to Seller. County agrees, however, to use reasonable efforts to secure funds necessary for the continued performance of this Agreement. The parties intend this provision to be a continuing right to terminate this Agreement at the expiration of each budget period of County pursuant to the provisions of Tex. Loc. Govt. Code Ann. § 271.903 (Vernon Supp. 1996).

27. **Immunities.** Nothing in this Agreement is intended to and County does not hereby waive, release or relinquish any right to assert any of the defenses County enjoys by virtue of the state or federal constitution, laws, rules or regulations, and any sovereign, official or qualified immunity available to County as to any claim or action of any person, entity, or individual against County.

29. **Nondiscrimination:** Seller/Contractor/Vendor, including subcontractors, assignees and successors in interest, ensures that no person shall on the grounds of race, religion, color, national origin, sex, age, disability, or any other protected class under law, be excluded from participation in, be denied the benefits of, or be otherwise subjected to discrimination or retaliation in any federally or non-federally funded program or activity when providing any services described herein under this contract/agreement.

30. Required Contract Provision for Contracts Subject to Federal Award (if applicable): Pursuant to 2 CFR 200.326, a non-federal entity's contracts must contain the applicable provisions described in appendix II to 2 CFR 200-Contract Provisions for non-Federal Entity Contracts under Federal Awards. Additionally, County contracts under Federal award which are subject to assistance from the Federal Emergency Management Agency (FEMA) are also required to contain additional contract clauses. The applicable required contract clauses were provided as part of the initial procurement packet and are incorporated herein and made part of this agreement for all purposes.

31. **Conflict.** Nothing in this Agreement shall be construed so as to require the commission of any act contrary to law, and whenever there is any conflict between any provision of this Agreement and any present or future law, ordinance or administrative, executive or judicial regulation, order or decree, or amendment thereof, contrary to which the parties have no legal right to Agreement, the latter shall prevail, but in such event the affected provision or provisions of this Agreement shall be modified only to the extent necessary to bring them legal requirements and only during the time such conflict exists.

[Signatures to Follow]

EXECUTED effective as of the day and year first above written.

County: HIDALGO COUNTY

By: _____
Hon. Richard F. Cortez, County Judge

ATTEST:

**_____
Hon. Arturo Guajardo, Jr., County Clerk**

Seller: Longhorn Bus Sales

By: _____
Printed Name: _____
Title: _____

APPROVED AS TO FORM:
Office of the Criminal District Attorney, Ricardo Rodriguez, Jr.

By: _____
David R. Cantu, Assistant District Attorney
Civil Litigation Division

Approved by Commissioners Court on: _____

EXHIBIT "A"
REQUEST FOR BIDS (RFB) PROCUREMENT PACKET

EXHIBIT "B"
BID PAGE

EXHIBIT "C"
CERTIFICATE OF INSURANCE



INTEGRATED RE C BUS

Sales Proposal For:
Hidalgo County Sheriff

Presented By:
LONGHORN BUS SALES

October 19, 2020

Prepared For:
Hidalgo County Sheriff
Joshua Kaltenbach
711 W El Cibolo Rd.
Edinburg, TX 78541-9848
(956)393 - 6022
Reference ID: 42P RE Inmate

Presented By:
LONGHORN BUS SALES
CHERYL C BELL
9100 N LOOP E
HOUSTON TX 77029 -
(713)631-9306

Thank you for the opportunity to provide you with the following quotation on a new IC Corporation vehicle. I am sure the following detailed specification will meet your operational requirements, and I look forward to serving your business needs.

Model Profile
2022 INTEGRATED RE C BUS (PC305)

APPLICATION:	Correctional Institutions
MISSION:	Requested GVWR: 36220. Calc. GVWR: 36220 Calc. Start / Grade Ability: 29.88% / 2.61% @ 55 MPH Calc. Geared Speed: 76.9 MPH
DIMENSION:	Wheelbase: 303.00, CA: N/A, Axle to Frame: 118.00
ENGINE, DIESEL:	{Cummins L9 300} EPA 2017, 300HP @ 2000 RPM, 860 lb-ft Torque @ 1300 RPM, 2200 RPM Governed Speed, 300 Peak HP (Max), for Shuttle Bus Only
TRANSMISSION, AUTOMATIC:	{Allison 3000 PTS} 5th Generation Controls, Close Ratio, 6-Speed with Double Overdrive, Less PTO Provision, Less Retarder, Includes Oil Level Sensor, with Direct Mount Cooler 7-Plate Design (Standard Capacity), with 80,000-lb GVW and GCW Max, School Bus
CLUTCH:	Omit Item (Clutch & Control)
AXLE, FRONT NON-DRIVING:	{Meritor MFS-14-122A} I-Beam Type, 14,000-lb Capacity
AXLE, REAR, SINGLE:	{Dana Spicer 23060SH R/O} Single Reduction, Pinion Up, 23,000-lb Capacity, 200 Wheel Ends Gear Ratio: 5.29
TIRE, FRONT:	(2) 11R22.5 Load Range H AH37 (HANKOOK), 499 rev/mile, 75 MPH, All-Position
TIRE, REAR:	(4) 11R22.5 Load Range H AH37 (HANKOOK), 499 rev/mile, 75 MPH, All-Position
SUSPENSION, REAR, AIR, SINGLE:	{International IROS} 23,000-lb Capacity, 9.25" Ride Height, with Shock Absorbers
PAINT:	Cab schematic 100WD Location 1: 9219, Winter White (Std) Chassis schematic N/A

Vehicle Specifications
2022 INTEGRATED RE C BUS (PC305)

October 19, 2020

<u>Code</u>	<u>Description</u>
PC30500	Base Chassis, Model INTEGRATED RE C BUS with 303.00 Wheelbase, N/A CA, and 118.00 Axle to Frame.

BODY PLANS

47ALB	BODY, BUS for RE; 78" Headroom, 42'2" Body Length, 90 Passenger, 303" WB
OBD005	BODY PLAN, NON-SPECIAL NEEDS BODY PLAN, NON-SPECIAL NEEDS, Use LHORN-1919
49001	BODY PLAN, APPROVED VARIATION Number 001

ENGINE

12EMS	ENGINE, DIESEL {Cummins L9 300} EPA 2017, 300HP @ 2000 RPM, 860 lb-ft Torque @ 1300 RPM, 2200 RPM Governed Speed, 300 Peak HP (Max), for Shuttle Bus Only
12UBP	RADIATOR SIDE MOUNTED, Aluminum, Over Under System, 1296 SqIn, with 332 SqIn Charge Air Cooler <u>Includes</u> : DEAERATION SYSTEM with Surge Tank : HOSE CLAMPS, RADIATOR HOSES Surge Tank Hose Spring Band Type : RADIATOR HOSES Premium, Rubber
12TJB	FAN DRIVE {Horton Modulator} Viscous Type, Two-Speed, with Mechanical Gear Drive 90 Degree Unit, Electronically Controlled
12VBC	AIR CLEANER Single Element <u>Includes</u> : AIR CLEANER with Vacuator : GAUGE, AIR CLEANER RESTRICTION Air Cleaner Mounted
12703	ANTI-FREEZE Red, Extended Life Coolant; To -40 Degrees F/ -40 Degrees C, Freeze Protection
12VVN	CRUISE CONTROL Electronic
12WZD	EMISSION COMPLIANCE Engine Shutdown System Exempt Vehicles, Complies with California Clean Air Regulations
12VHJ	FEDERAL EMISSIONS {Cummins L9} EPA, OBD and GHG Certified for Calendar Year 2020
12VWH	GOVERNOR Electronic Road Speed Type; for Electronic Engines and Bus Models; with 55 MPH Default
12WAE	HOSE CLAMPS, RADIATOR HOSES Constant Torque, for Engine Hoses 1.0" I.D. and Over
12VYV	IDLE MANAGEMENT SYSTEM Ramp Engine Speed with Air Condition On, in Neutral and Parking Brake Set, Accommodation Package
12UGN	THROTTLE, HAND CONTROL Electronic

TRANSMISSION

13AWR	TRANSMISSION, AUTOMATIC {Allison 3000 PTS} 5th Generation Controls, Close Ratio, 6-Speed with Double Overdrive, Less PTO Provision, Less Retarder, Includes Oil Level Sensor, with Direct Mount Cooler 7-Plate Design (Standard Capacity), with 80,000-lb GVW and GCW Max, School Bus
13WUM	ALLISON SPARE INPUT/OUTPUT for Pupil Transportation Series (PTS), Package Number 148
13WYU	SHIFT CONTROL PARAMETERS {Allison} 3000 or 4000 Series Transmissions, Performance Programming
13WLP	TRANSMISSION OIL Synthetic; 29 thru 42 Pints

CLUTCH

11001	CLUTCH Omit Item (Clutch & Control)
-------	-------------------------------------

Vehicle Specifications
2022 INTEGRATED RE C BUS (PC305)

October 19, 2020

Code **Description**
REAR AXLES, SUSPENSIONS

14AHR	AXLE, REAR, SINGLE {Dana Spicer 23060SH R/O} Single Reduction, Pinion Up, 23,000-lb Capacity, 200 Wheel Ends . Gear Ratio: 5.29 <u>Includes</u> : REAR AXLE DRAIN PLUG (1) Magnetic, For Single Rear Axle <u>Notes</u> : The following features should be considered when calculating Rear GAWR: Rear Axles; Rear Suspension; Brake System; Brakes, Rear Air Cam; Brake Shoes, Rear; Special Rating, GAWR; Wheels; Tires. : When Specifying Axle Ratio, Check Performance Guidelines and TCAPE for Startability and Performance
14TBT	SUSPENSION, REAR, AIR, SINGLE {International IROS} 23,000-lb Capacity, 9.25" Ride Height, with Shock Absorbers <u>Notes</u> : The following features should be considered when calculating Rear GAWR: Rear Axles; Rear Suspension; Brake System; Brakes, Rear Air Cam; Brake Shoes, Rear; Special Rating, GAWR; Wheels; Tires.

FRONT AXLES

2AST	AXLE, FRONT NON-DRIVING {Meritor MFS-14-122A} I-Beam Type, 14,000-lb Capacity <u>Includes</u> : AXLE, FRONT SQUARING to Plus or Minus .015 Inch, using a Special Fixture to Assure Parallelism of Springs <u>Notes</u> : The following features should be considered when calculating Front GAWR: Front Axles; Front Suspension; Brake System; Brakes, Front Air Cam; Wheels; Tires.
------	--

FRONT SUSPENSIONS

3ADD	SUSPENSION, FRONT, SPRING Parabolic Taper Leaf, Shackle Type, 14,000-lb Capacity, with Shock Absorbers <u>Includes</u> : SPRING PINS Smooth Pin with Lube Distribution Flats <u>Notes</u> : The following features should be considered when calculating Front GAWR: Front Axles; Front Suspension; Brake System; Brakes, Front Air Cam; Wheels; Tires.
------	---

CABS, COWLS, BODIES

16015	PLATFORM Standard Location
16HAA	GAUGE CLUSTER English with English Electronic Speedometer and with Tachometer for Air Brake Chassis <u>Includes</u> : GAUGE, ENGINE OIL PRESSURE Electronic : GAUGE, WATER TEMPERATURE Electronic : VOLTMETER
16HLJ	GAUGE, DEF FLUID LEVEL
16HJC	GAUGE PACKAGE Includes Hourmeter and Oil Temperature Gauge (Automatic Transmission)
16HCH	SEATBELT WARNING LIGHT IND. Mounted in Dash, Will Flash when Park Brake is Disengaged and Driver Seatbelt Unfastened, Audible Alarm to remind Driver to Fasten Seatbelt

FRAMES

Vehicle Specifications
2022 INTEGRATED RE C BUS (PC305)

October 19, 2020

Code	Description
1CBX	FRAME RAILS High Strength Low Alloy Steel (50,000 PSI Yield); 10.000" x 3.000" x 0.250" x 498.3" OAL, 303" WB <u>Includes</u> : CHASSIS PAINT Chassis Painted Prior to Body Mounting : FRAME RAILS All holes Laser Aligned and Machine Punched, Powder Coated Prior to Full Assembly, Assembled in Fixture using "Grade 8" Bolts
1LLE	BUMPER, FRONT Contoured, Steel, Severe Duty <u>Includes</u> : BUMPER, FRONT THICKNESS 1/4 Inch

BRAKES

4091	BRAKE SYSTEM, AIR Dual System for Straight Truck Applications <u>Includes</u> : BRAKE LINES Color and Size Coded Nylon : DRAIN VALVE Twist-Type : GAUGE, AIR PRESSURE Single Gauge, Dual Needles : INVERSION VALVE Bendix SR-1 and Double Check Valve : PARKING BRAKE CONTROL Yellow Knob, Located on Instrument Panel : PARKING BRAKE VALVE For Truck : QUICK RELEASE VALVE On Rear Axle for Spring Brake Release: 1 for 4x2, 2 for 6x4 <u>Notes</u> : The following features should be considered when calculating Front GAWR: Front Axles; Front Suspension; Brake System; Brakes, Front Air Cam; Wheels; Tires.
4AZS	AIR BRAKE ABS {Bendix AntiLock Brake System} 4-Channel (4 Sensor/4 Modulator) Electronic Stability Program, with Automatic Traction Control
4XDP	BRAKES, FRONT {Meritor 16.5X5 Q-PLUS CAST} Air S-Cam Type, Cast Spider, Fabricated Shoe, Double Anchor Pin, Size 16.5" X 5", 14,600-lb Capacity
4EXV	BRAKE CHAMBERS, FRONT AXLE {Bendix} 24 SqiIn
4LAG	SLACK ADJUSTERS, FRONT {Gunite} Automatic
4XDS	BRAKES, REAR {Meritor 16.5X8.625 Q-PLUS CAST} Air S-Cam Type, Cast Spider, Fabricated Shoe, Double Anchor Pin, Size 16.5" X 8.625", 23,000-lb Capacity per Axle
4EXU	BRAKE CHAMBERS, REAR AXLE {Bendix EverSure} 30/30 SqiIn Spring Brake
4SPA	AIR COMPRESSOR {Cummins} 18.7 CFM
4EBP	AIR DRYER {Bendix AD-9} with Heater, Mounted Center of Double Crossmember, Forward of Rear Axle
4VBX	AIR TANK LOCATION (2) Mounted Between Rails and Over Front Axle
4722	DRAIN VALVE {Bendix DV-2} Automatic, with Heater, for Air Tank
4WEA	PARKING BRAKE INTERLOCK Parking Brake Cannot be Released until Ignition Switch is in the "ON" Position and the Service Brake Pedal is Applied, Use with air brake chassis only.
4LGG	SLACK ADJUSTERS, REAR {Gunite} Automatic

STEERING

5PRJ	STEERING GEAR {TRW (Ross) TAS65} Power
5708	STEERING COLUMN Tilting
5CAL	STEERING WHEEL 2-Spoke, 18" Dia., Black

Vehicle Specifications
2022 INTEGRATED RE C BUS (PC305)

October 19, 2020

<u>Code</u>	<u>Description</u>
DRIVELINES	
6DGG	DRIVELINE SYSTEM {Dana Spicer} 1710, for 4x2/6x2
EXHAUST SYSTEMS	
7BLR	EXHAUST SYSTEM Single, Horizontal Aftertreatment Device, Frame Mounted Outside Left Rail, Includes Single Horizontal Tail Pipe <u>Includes</u> : NOTE: The Horizontal Tailpipe Includes a Temperature Control Device
7SCP	ENGINE EXHAUST BRAKE for Cummins ISB/B6.7/ISL/L9 Engine with Variable Vane Turbo Charger
7WBN	TAIL PIPE (1) Horizontal, Long, Exits Left Side Behind Wheel 12" From Rear
ELECTRICAL SYSTEMS	
8000	ELECTRICAL SYSTEM 12-Volt, Standard Equipment <u>Includes</u> : HAZARD SWITCH Push On/Push Off, Located on Bottom of Steering Column Cover : HEADLIGHT DIMMER SWITCH Integral with Turn Signal Lever : MISCELLANEOUS FEATURES Modular, Loom Protected, Grommets in all Applicable Body Openings, Assembled in Computer Assisted Fixture which Verifies Continuity and Correct Assembly Prior to Installation : PARKING LIGHT Integral with Front Turn Signal and Rear Tail Light : STARTER SWITCH Electric, Key Operated : TURN SIGNAL FLASHER : TURN SIGNAL SWITCH Self-Cancelling with Lane Change Feature : TURN SIGNALS, FRONT Includes Reflectors; Flush Mounted : WINDSHIELD WIPER SWITCH 2-Speed with Wash Feature, Instrument Panel Mounted : WIRING, CHASSIS Color Coded and Continuously Numbered
8G XK	ALTERNATOR {Leece-Neville BLP4006HN} Brushless, 12 Volt, 325 Amp Capacity, Pad Mount, with Remote Sense
8TUP	BATTERY BOX Steel, with Sliding Tray, 25.25" Wide, for Standard Batteries, 2-3 Battery Capacity, Mounted Right Side Behind Rear Axle Perpendicular to Frame Rail
8MSG	BATTERY SYSTEM {Fleetrite} Maintenance-Free, (3) 12-Volt 1980CCA Total, Top Threaded Stud
8614	BRAKE WARNING INDICATOR Light; for Engaged Rear Wheel Parking Brake
8XAH	CIRCUIT BREAKERS Manual-Reset (Main Panel) SAE Type III with Trip Indicators, Replaces All Fuses
8TPL	COLLISION MITIGATION SYSTEM {Bendix Wingman Advanced} Adaptive Cruise Control with Collision Mitigation and Stationary Object Alert; Includes Front Antenna, Driver Display
8540	HORN, ELECTRIC (2) Trumpet Style
8WCB	INDICATOR, LOW OIL PRESSURE / HIGH COOLANT TEMPERATURE / LOW COOLANT LEVEL Light and Audible Alarm; Electronic Controlled
8WNH	RUNNING LIGHT (2) Daytime
8WXG	STARTING MOTOR {Mitsubishi Electric Automotive America 105P} 12-Volt, with Soft-Start
FRONT END	
9AAE	LOGOS EXTERIOR, ENGINE Badges
SPEEDOMETER, TOOLS, MISC	

Vehicle Specifications
2022 INTEGRATED RE C BUS (PC305)

October 19, 2020

<u>Code</u>	<u>Description</u>
10020	CHASSIS PAINT Full Chassis
10AAY	OVER THE AIR PROGRAMMING {Navistar} for Cummins Engines
10060	PAINT SCHEMATIC, PT-1 Single Color, Design 100
	<u>Includes</u> : PAINT SCHEMATIC ID LETTERS "WD"
10788	PAINT TYPE Urethane, One or Two Colors, Other than Imron or International.

FUEL TANKS

15SJX	FUEL TANK Steel, Rectangular, 105 US Gal (397L), Includes Protective Cage, Mounted Between Frame Rails and Ahead of Rear Axle
	<u>Notes</u> : Requires 195" WB Minimum
15WEA	DEF TANK 12 US Gal (45L) Capacity, Frame Mounted Outside Left Rail, Behind Rear Axle
15LMN	FUEL/WATER SEPARATOR {Racor 400 Series,} 12 VDC Electric Heater, Includes Pre-Heater, with Primer Pump, Includes Water-in-Fuel Sensor

WHEELS, TIRES - FRONT

27DUW	WHEELS, FRONT {Accuride 51408} DISC; 22.5x8.25 Rims, Powder Coat Steel, 2-Hand Hole, 10-Stud, 285.75mm BC, Hub-Piloted, Flanged Nut, with Steel Hubs
7382135809	(2) TIRE, FRONT 11R22.5 Load Range H AH37 (HANKOOK), 499 rev/mile, 75 MPH, All-Position

WHEELS, TIRES - REAR

28DUW	WHEELS, REAR {Accuride 51408} DUAL DISC; 22.5x8.25 Rims, Powder Coat Steel, 2-Hand Hole, 10-Stud, 285.75mm BC, Hub-Piloted, Flanged Nut, with Steel Hubs
7382135809	(4) TIRE, REAR 11R22.5 Load Range H AH37 (HANKOOK), 499 rev/mile, 75 MPH, All-Position

WHEELS MISC OPTIONS


29580	WHEEL SEALS, FRONT {International} Oil-Lubricated Wheel Bearings
29597	WHEEL SEALS, REAR {Stemco Voyager} Oil Lubricated Wheel Bearings

BODY FEATURES

47BAK	BUMPER, REAR Painted, 12" High, 3/16" Thick
47BAR	SUPPORTS, REAR BUMPER Bolted to Frame
47BAV	TOW HOOKS, FRONT (2) 1 Left, 1 Right
47BAW	TOW HOOK, LEFT REAR (01)
47BAX	TOW HOOK, RIGHT REAR (01)
47ARH	BOWS, ROOF 14 ga., One Piece Construction
	<u>Includes</u> : BOWS, ROOF Positioned Floor Line to Floor Line, Threaded Through Roof Strainers and Drip Rail
47APX	FASTENERS, HEADLINER Screws
47BBN	HANDLE, ASSIST, OVER WINDSHLD Body Color

Vehicle Specifications
2022 INTEGRATED RE C BUS (PC305)

October 19, 2020

Code	Description
47APN	HEADLINER, BODY for RE; Perforated Full Length with Sound Insulation Full Length
47BBW	LATCH, ACCESS DOOR Front, Lever Type
47ARP	LIGHT BARS Plastic
47BBH	LINING, SIDE INTERIOR, LOWER Embossed Steel, Clear Coated
47MBN	ROOF CAPS Smooth Front & Rear, for Commercial Bus & Activity Bus
47AVH	RUB RAILS, BODY (3) 16ga., Steel
	<u>Includes</u> : RUB RAILS Full Length, Primer Coated (Both Sides), Attached to Body without Cuts or Splices
47BBZ	SEALER Extra; Sidewall to Floor, In Wheel Pocket Area, and Rear Wall to Floor
47BBC	SEALER, DOOR Front Access Doors
47AZJ	SIDE SHEET, BODY, EXTERIOR for RE, 16 ga., Smooth
47AVD	SKID PLATE Right Front Step Well Guard
47ARY	SKIRT, BODY for RE; 28", 16 ga.
	<u>Includes</u> : SKIRT, BODY Extra Smooth Steel Supported by Floor Gussets
47AKK	STEP, FRONT ENTRANCE DOOR 25 3/4" Depth; 14ga Steel
	<u>Includes</u> : STEP, FRONT ENTRANCE DOOR OPENING, 35 Inch Width; Continuous Bottom to Top
47KKM	TIE DOWNS, BODY with Grade 8 Bolts, Every Body Section, with Reinforcements
47DAA	CONTROL, ENTRANCE DOOR Electric Over Air, 2 Position Selector Switch Mounted left of Driver
47DBP	DOOR, ENTRANCE, FRONT Air, Outward Opening, with Split Pane Glass
	<u>Includes</u> : DOOR, ENTRANCE, FRONT Aluminum Frame with Pin Style Hinges, Ball Bearing Assisted, Interchangeable Top and Bottom Glass Lock
47DDE	HANDLE, ASSIST, ENTRANCE DOOR Outside Entrance
47EXK	LOCK, ENTRANCE DOOR Integrated Manual Control in Door, with Key
47DSC	COMPARTMENT, LUGG, PASS THRU (01) 114" 
47EBM	HOLD DOWN, BATTERY For (2) Standard Size Batteries
47LAU	INSULATION, ROOF AND SIDES 1.50", All Models
47MBC	INSULATION, STEPWELL
47LAB	NOISE REDUCTION, DRIVER FLOOR Insulation Covering Complete Driver Floor Area
47LAD	NOISE REDUCTION, ROOF BOW For RE; Insulation 1 1/2", All Body Lengths
47MBA	UNDERCOAT, BODY Fire Resistant, Water Based, TT-C-730 Spec
	<u>Includes</u> : UNDERCOATING Performed Before and After Mounting on Chassis
47MAC	UNDERCOAT, FLOOR/STEPWLL/SIDES for Engine Noise Reduction
47AJB	BODY CERTIFICATION TAG Mylar Label
47AJC	BODY TAG, METAL Capacity to Include the Total Number of Passengers

Vehicle Specifications
2022 INTEGRATED RE C BUS (PC305)

October 19, 2020

Code	Description
47PLX	LETTERS, DEF, I.D. Decal; "DEF ONLY", 1" Black, on DEF Filler Door
47MVA	LETTERS, HEADER Decal; "WATCH YOUR STEP", 1" Black, Above Windshield
47MVC	LETTERS, STEPWELL Decal, "WATCH YOUR STEP", 2.5" Black, Behind Door on Step Riser
47NTE	LOGO, ROOF LINE Decal; Wing and Shield, First Body Section, Above Driver Window and Entrance Door Over Driver Window and Entrance Door
47NJB	PAINT COLOR, BODY EXTERIOR 9219 Winter White
47NKM	PAINT COLOR, BODY INTERIOR 9384 Spring White
47NXU	PAINT FLASHER BACKGRD To Match Body Color
47NKL	PAINT, RUB RAIL Flange to Flange
47NGJ	PAINT, WINDOW BOW CAPS 0001 Canyon Black, Side Only
47NGW	SEAL, RUB RAILS Top Edge, All Rails
47MTY	WIRING DIAGRAM Schematic, Electrical
	<u>Includes</u> : ACCESS PANEL for Wiring Diagram Schematic Located on Body Exterior; Below Driver Window
47SAV	SUB FLOOR, PLYWOOD For RE; B-B Marine Grade, Less Sealed Edges, 5/8", 5 Ply, for All Body Lengths

BODY FEATURES

48ANT	WINDOW, DRIVER Laminated, Clear
48ATU	WINDOW, PASSENGER, TINT For RE; 28% Light, Laminated Glass, 78" Headroom, with All Body Lengths
48AAJ	WINDOW, REAR Omit Oval, Kick-Out Window, For RE Commercial Without Rear Window
48PAC	WINDSHIELD 4 Flat Pieces, 73% Light, with Shaded Band
48PAY	AISLE POSITION Center, for balanced seating
48PBB	FLOOR COVERING, COLOR Black
48PUP	FLOOR COVERING, TRIM Omit
48UWV	FLOOR COVERING, TYPE Koroseal, One Piece, Vinyl, All Body Lengths, Black
48RZJ	STEP TREADS {Koroseal} Pebble Top with White Nosing, with Non-Metal Backing
48PAV	WHEEL POCKET COVER Plastic, ABS
48PKC	HOSE CLAMPS, HEATER HOSE Constant Torque for Heater System
48PKN	FAN, DEFOG FAR RIGHT (01) Black, Mounted Right Above Windshield, Forward Entrance Door, 2-Speed Switch in Panel
48PKS	FAN, DEFOG RIGHT CENTER 6.50" Diameter, Black, Mounted Over Windshield, 15" Right of Centerline, 2-Speed Switch in Panel
48PLK	GRILLE, STATIC VENT, FRONT Adjustable with Screen, Requires Vent
48PMW	GRILLE, STATIC VENT, REAR Adjustable, with Screen
48PPN	HEATER CUT OFF, VALVE Quarter Turn Operation
48GHC	HEATER, DRIVER 90,000 BTU, with Defroster and without Rear Heat Duct
	<u>Includes</u> : AIR FILTER

Vehicle Specifications
2022 INTEGRATED RE C BUS (PC305)

October 19, 2020

<u>Code</u>	<u>Description</u>
	: HEATER HOSES Premium : HOSE CLAMPS, HEATER HOSE Mubea Constant Tension Clamps
48PMC	HEATER, PASS, LT MIDSHIP 1ST 50,000 BTU <u>Includes</u> : AIR FILTER
48PMH	HEATER, PASS, LT REAR 50,000 BTU <u>Includes</u> : AIR FILTER
48PNW	HEATER, WATER PUMP {2 MPU 12} Self Priming, with Plastic Housing
48PPS	ROOF VENT, FRONT Static
48PRH	ROOF VENT, REAR Static
48NAT	FITTINGS, AIR SEAT for Driver Seat
48PUT	NUTS, BELT MOUNTING Standard Nuts For Seat Belt Mounting
48GHE	SEAT BELT, DRIVER with Electric Buckle
48RYW	SEAT, DRIVER {National 2000} Air Suspension, High Back with Integral Headrest, Isolated, with 2 Position Front Cushion Adjustment, 6 to 17 Degree Seat Back Adjustment, Mechanical Lumbar Support, Includes Additional Back Padding <u>Includes</u> : SEAT BELT, DRIVER Adjustable D-Loop Seat Belt, Single Locking Retractor
48PVN	UPHOLSTERY, DRIVER SEAT, COLOR Drivers Seat, Gray
48PVA	UPHOLSTERY, DRIVER SEAT, STYLE Plain, with Cloth Insert
48PWN	UPHOLSTERY, DRIVER SEAT, TYPE Vinyl, 42 oz.
48RGR	HAND RAIL, ENTRANCE DOOR, AFT Stainless Steel, 4", Above Step
48DBN	SHIELD, COURTESY, AFT ENTR DR Padded, 30", Mounted Under Stanchion
48DBJ	SHIELD, COURTESY, AFT/DRIVER Padded, 36", Mounted Under Stanchion
48DCE	STANCHION, AFT ENTRANCE DOOR Stainless Steel, 30"
48DBW	STANCHION, AFT DRIVER Stainless Steel, 36"
48GHD	SEAT BELT, DRIVER, COLOR with Black Seat Belt Webbing
48USV	SEAT BACK, PASSENGER High Back
48TSG	SEAT,DAVENPORT,LEFT (01) 36"
48TSM	SEAT,DAVENPORT,RIGHT (01) 36"
48SCV	SEAT,PASS,LT,36",2 LEG (08)
48UTV	SEAT RELOCATION Driver Seat Centered with Steering Wheel
48YJG	SEAT,UCRA,LT,39",2 LEG {BTI Seating System} (01) High Back, with 3 Point Seat Belts
48PWD	UPHOLSTERY, PASS SEATS, COLOR Gray, for Seats, Barriers and Head Bumpers
48PGL	UPHOLSTERY, PASS SEATS, TYPE Vinyl, 52 oz.; for (19-20) Seats
48RLX	CUSHION, SEAT 15" Depth
48RRA	UPHOLSTERY, SEAT, STITCHING Single

Vehicle Specifications
2022 INTEGRATED RE C BUS (PC305)

October 19, 2020

<u>Code</u>	<u>Description</u>
	<u>Includes</u> : WARRANTY Two Years

BODY FEATURES

49ZAA	COMMERCIAL BUS NOT FOR SCHOOLS - This Code Certifies that the Dealer has Verified with the Purchaser that this Bus will Not Be Used for the Transportation of Passengers by Daycare Facilities, Preprimary, Primary or Secondary Schools to or from School or School-Related Activities
49AMJ	ALARM, BACKING {Ecco #575} 107 db
49AMT	CIRCUIT, PROTECTION Breakers, Manual Reset in Lieu of Fuses <u>Includes</u> : ACCESS PANEL for Body and Chassis Fuses/Circuit Breakers Located on Body Exterior; Below Driver Window
49BGJ	FLASHER SYSTEM Omit; To be Used for Multi Functional School Activity Bus or Commercial Models Only, Non Route Use
49ADR	HEADLIGHTS Halogen, Heavy Duty 5"x 7" Rectangular, with Turn Signal
49JBU	LIGHT, ENTRY DOOR {Sound Off/OptiLuxx} LED; 4" Oval; Light Mounted in Skirt Behind Entrance Door, Wired To Step Light
49JBW	LIGHT, STEP {Sound Off/OptiLuxx} 4" Round LED, White, Wired to Clearance Lights, Operated by Entrance Door
49JCG	LIGHT, STROBE LED, Specialty Man. Co. 845-3020, Low Profile, Double Flash, 3.60" High
49BZG	LIGHTS, BACK UP (2) {Sound Off/OptiLuxx} LED, 7" Round Clear
49JBS	LIGHTS, CLUSTER {Sound Off/OptiLuxx} Oval, 4 Internal LEDs per Light; Amber Front and Red Rear
49BYY	LIGHTS, DIRECTIONAL, FRONT {Sound Off/OptiLuxx} with Park, 7" Round Amber LED, on Front Cowl
49BYZ	LIGHTS, DIRECTIONAL, REAR (2) {Sound Off/OptiLuxx} LED, 7" Round Amber
49EAX	LIGHTS, DIRECTIONAL, SIDE (4) {Sound Off/OptiLuxx} Rectangular LED Armored, 2 Each Side First Section Aft Entrance Door & Forward Rear Wheel Pocket
49BYX	LIGHTS, DOME {Sound Off/OptiLuxx} (08) LED, Rectangular Recessed Type, Mounted in Light Bar
49BYU	LIGHTS, DOME, DRIVER {Sound Off/OptiLuxx} Rectangular LED, Left and Right Sides in Ceiling, Separate Switch
49BYV	LIGHTS, MARKER, FRONT & REAR {Sound Off/OptiLuxx} Rectangular LED, Armored, (8) Four Amber Front and Four Red Rear
49EAW	LIGHTS, MARKER, SIDE {Sound Off/OptiLuxx} Rectangular LED, Armored Type, Intermediate, Centered; Required for Units 30 Foot or Longer
49BYT	LIGHTS, STOP (2) {Sound Off/OptiLuxx} and Tail; 7" Round LED, Red
49NGG	LIGHTS, TAIL, LICENSE PLATE (2) {Sound Off/OptiLuxx} 4" Round LED, Red, Includes Stop & Light Window, Includes Mounting Gasket
49ANU	SOURCE, POWER 12 VDC, Mounted In Dash
49BVD	SWITCH, BATTERY Shut-Off, 300A Weather Resistant, In Battery Compartment
49APH	SWITCH, DOME LIGHTS, SPLIT Front and Rear Operated with Separate 2 Position Switch, Quantity of Lights Split Equally
49AMD	SWITCH, DRIVER PANEL, TYPE Rocker

Vehicle Specifications
2022 INTEGRATED RE C BUS (PC305)

October 19, 2020

<u>Code</u>	<u>Description</u>
49SAA	SWITCH, INSTRUMENT PANEL LIGHTS; Rheostat
49ANH	SWITCH, MAGNETIC, DISCONNECT Master, Ignition Operated, All Body Circuits
49AMC	TERMINAL STRIP Chassis
49AMB	WIRE, FEED 4 Gauge, Chassis To Body
	<u>Notes</u> : Terminals have heat shrink protection.
49BLM	WIRING, TWO WAY RADIO Power and Ground Connection Only; Connection in Flasher Plate Area with 20 Amp Fuse Protection
49HES	MIRROR, BRACE, EXTERIOR Telescoping for Breakaway Bracket
49EGM	MIRROR, CROSS VIEW, EXTERIOR Heated, Black, Rosco
49EGC	MIRROR, INSIDE 6" x 30", Clear Safety Glass, Metal Back, Round Corners
49EHG	MIRROR, REAR VIEW, EXTERIOR {Rosco} Black, Motorized Head, Breakaway Bracket
49ENK	VISOR, INTERIOR, LEFT FRONT 6" x 30", Transparent, For Left Windshield
49GGE	FIRE EXTINGUISHER, DRIVER AREA 5 lb 2A-40BC Minimum with Flexible Hose and Metal Nozzle
49GAY	KIT, BODY FLUID Texas
49EBA	KIT, FIRST AID Plastic; 24 Unit, Spec State
49GCD	LOCATION, BODY FLUID KIT Located in Drivers Area
49GCH	LOCATION, FIRST AID KIT Right Side Front Bulkhead with Screws
49GHN	REFLECTORS, REAR (2) 3", Red, Adhesive Back
49GHV	REFLECTORS, SIDE, FRONT (2) 3", Amber; Adhesive Back, 1 Aft Drivers Window Left, 1 Aft Entrance Door Right
49GHX	REFLECTORS, SIDE, INTERMEDIATE (2) 3" Amber, 1 Each Side, Below The Third Rub Rail From the Top, Adhesive Back
49GHR	REFLECTORS, SIDE, REAR (2) 3", Red, Adhesive Back
49EGW	SAFETY TRIANGLES Warning Reflectors, Located in Right Luggage Compartment, Includes Decals
49JAD	DEF FILLER DOOR with Locking Latch
49GUJ	FENDERS, RUBBER, FRONT (2)
49GUK	FENDERS, RUBBER, REAR (2)
49GNJ	FUEL FILLER DOOR with Locking Latch
49CKT	FUEL FILLER PIPE Low Profile Neck Cap and Vent Hosing, for Use with Right Side Fill for Between the Rail Fuel Tanks, for Above the Floor Fuel Fill, for 25 GPM Fill Rate Only
49GUM	INSPECTION PLATE Fuel Sending Unit 8" x 8" Steel
49GVA	MUD FLAPS, FRONT WHEELS (2) Anti-Sail and Anti-Spray
49GUY	MUD FLAPS, REAR WHEELS (2) Anti-Spray, Anti-Sail
49GTY	SWITCH, WIPER CONTROL Single, to Control Both Wipers
49GTR	WINDSHIELD WASHER Kit; 8 Quart Capacity, Bottle
	<u>Includes</u> : WINDSHIELD WASHER ELECTRICAL CONNECTIONS Sealed and Locking Type

Vehicle Specifications
2022 INTEGRATED RE C BUS (PC305)

October 19, 2020

<u>Code</u>	<u>Description</u>
49GTV	WINDSHIELD WIPERS (2) Bottom Mounted; Pantograph Type; Wet Arms, 28.5"
49UBZ	STATE OF OPERATION Texas
49BRN	DOME LIGHT, GUARD ONLY; Two Full Rows, Mounted with Tamper Proof Screws
OBD004	MISCELLANEOUS SEAT,PASS,RT,36",2 LEG, (09)

Services Section:

WARRANTY

40121	WARRANTY Standard for Commercial CE, RE Bus, Effective with Vehicles Built January 2, 2015 or Later, CTS-3305G
40RAR	SERVICES, TOWING {Navistar} Service Call to 36-Month/Unlimited Mileage to the Nearest IC Bus Dealer for Navistar Warrantable Failure as Contract Defined; Includes Engine Failure if Supplier Declines Tow Coverage & ESC Supplied thru Navistar; \$1100 (USA) Maximum Benefit per Incident
40PLB	<p>SRV CONTRACT, EXT VEH COVERAGE {Navistar} To 36-Month/50,000 Miles (80,000 km), Covers 100% Parts and Labor; Includes Body; Excludes Extending Warranty for Engine, Transmission, Perforation or Corrosion of Cab/Cowl Structure and Paint</p> <p>(2) GUARD SEATS, LOCATED IN FRONT. NATIONAL BRAND WITH ARMRESTS, 42 OZ. GRAY VINYL</p> <p>TWO 1" SLIDING DOOR PARTITION WALLS WITH PADLOCK PROVISIONS AND LEXAN SHIELDS 12" FROM FLOOR AND CEILING. PADLOCKS ACCESSIBLE FROM FRONT AND REAR OF PARTITION</p> <p>TOILET WITH OUTWARD SWINGOUT DOOR 28" L x 28" W x 45" TALL; STAINLESS STEEL</p> <p>(3) STEEL RUB RAILS OVER SIDE AND REAR WINDOWS. WILL NOT BE LOCATED OVER WINDOWS IN FRONT GUARD SECTION</p> <p>TAMPER-PROOF SCREWS ON ALL FLOOR TRIM, WHEEL POCKSTS AND WINDOW POST CAPS. RIVETS IN LIEU OF SCREWS IN ALL INTERIOR LOWER LINING</p> <p>TWO INDIVIDUAL SINGLE OCCUPANCY WIRE MESH CAGED COMPARTMENTS WITH DOOR AND INTERIOR WINDOW SCREENS THAT EXTENDS THE INSIDE LENGTH. INCLUDES INDIVIDUAL SEAT WITH PADDED INSERTS FOR EACH COMPARTMENT.</p> <p>STEEL DOME LAMP GUARDS OVER LED LIGHTS, MOUNTED WITH TAMPER-PROOF SCREWS. PAINTED TO MATCH INTERIOR</p> <p>EXTERIOR POLAR LOCKING HANDLE</p> <p>FRONT AND REAR WHELEN 4500 LIGHT BAR W/FOUR LED LIGHTS WITH CLEAR LENS. INCLUDES TWO BLUE ON LEFT SIDE AND TWO RED ON RIGHT SIDE FUNCTION</p> <p>FRONT GRILLE LIGHTS; WHELEN M9 LED FLASHING LIGHTS. SPLIT WHITE/RED</p> <p>SCENE LGITHS LOCATED ABOVE WINDOWS, 3 PER SIDE (FRONT MID REAR) WHELEN M4 CLEAR LIGHTS</p> <p>WEAPONS LOCKERS LH AND RH GUARD POSITIONS TO HOLD TWO RIFLES AND TWO HANDGUNS PER COMPARTMENT. FLOOR MOUNTED</p> <p>136K BTU AIR CONDITIONING, FRONT/REAR/TWO MIDSHIP EVAPORATORS WITH CAGING</p> <p>FOG LAMPS</p> <p>DOT INSPECTION</p> <p>PRE DELIVERY INSPECTION</p> <p>SET GOVERN SPEED @ 75 MPH</p>

Vehicle Specifications
2022 INTEGRATED RE C BUS (PC305)

October 19, 2020

Code

Description
WEIGHT SLIP

Financial Summary
2022 INTEGRATED RE C BUS (PC305)

October 19, 2020

<u>Description</u>	(US DOLLAR)	<u>Price</u>
Net Sales Price:		\$193,901.00

Please feel free to contact me regarding these specifications should your interests or needs change. I am confident you will be pleased with the quality and service of an IC Corporation vehicle.

Buy Board Fee Per PO Contract No. 549-17 \$800.00 (This fee is in addition to pricing noted above)

Approved by Seller:

Accepted by Purchaser:

Official Title and Date

Firm or Business Name

Authorized Signature

Authorized Signature and Date

This proposal is not binding upon the seller without Seller's Authorized Signature

Official Title and Date

The TOPS FET calculation is an estimate for reference purposes only. The seller or retailer is responsible for calculating and reporting/paying appropriate FET to the IRS.

The limited warranties applicable to the vehicles described herein are Navistar, Inc.'s standard printed warranties which are incorporated herein by reference and to which you have been provided a copy and hereby agree to their terms and conditions.

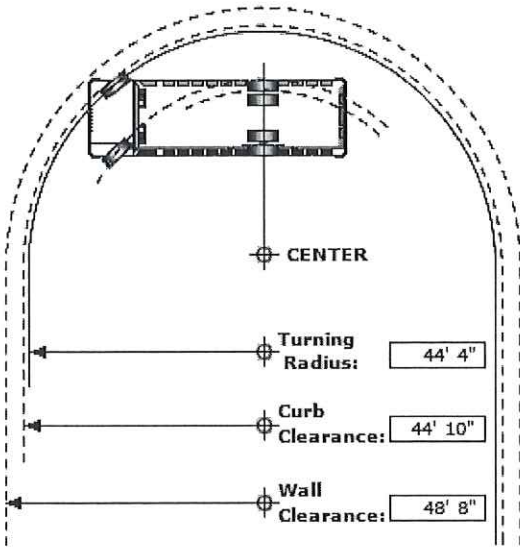
Turning Radius Summary
2022 INTEGRATED RE C BUS (PC305)

October 19, 2020

Series: INGB
 Model: PC305
 Description: INTEGRATED RE C BUS
 Model Year: 2022

Calculation Factors

Wheelbase: 303
 Front Axle: 0002AST
 Description: AXLE, FRONT NON-DRIVING, {Meritor MFS-14-122A} I-Beam Type, 14,000-lb Capacity
 Front Wheel: 0027DUW
 Description: WHEELS, FRONT, {Accuride 51408} DISC; 22.5x8.25 Rims, Powder Coat Steel, 2-Hand Hole, 10-Stud, 285.75mm BC, Hub-Piloted, Flanged Nut, with Steel Hubs
 Front Tire: 07382135809
 Description: TIRES, 11R22.5 Load Range H AH37 (HANKOOK), 499 rev/mile, 75 MPH, All-Position
 Steering Gear: 0005PRJ
 Description: STEERING GEAR, {TRW (Ross) TAS65} Power



Turning Radius Statistics

General Information

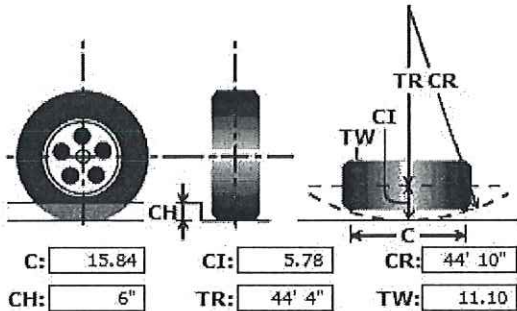
Inside Turn Angle: 42 Degrees
 Radial Overhang: 52

Axle Information

KingPin Inclination: 6.25 Degrees
 KingPin Center: 69

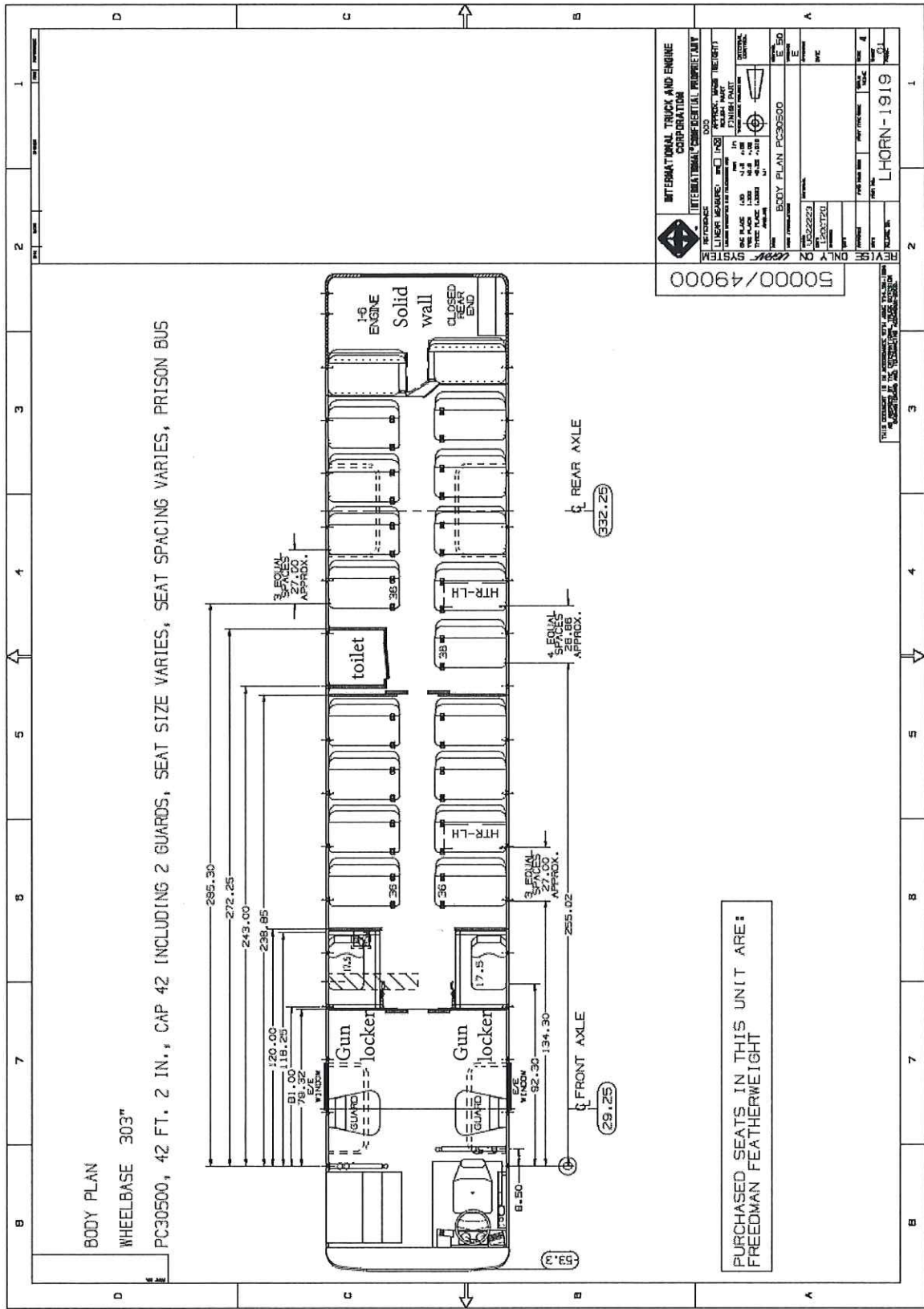
Turning Radius - Curb View

C - Curb Contact Length: 15.84
 CI - Curb Clearance Increment: 5.78
 CR - Curb Clearance Radius: 44'10"
 CH - Curb Height: 6"
 TR - Turning Radius: 44'4"
 TW - Tire Width: 11.10



* All Measurements are in inches, unless otherwise specified.

This information is based on engineering information available at this time. Actual figures may vary. Navistar, Inc. cannot accept liability for consequences due to this variance.



PURCHASED SEATS IN THIS UNIT ARE:
 FREEDMAN FEATHERWEIGHT

INTERNATIONAL TRUCK AND ENGINE CORPORATION		INTERNATIONAL TRUCK AND ENGINE CORPORATION	
REFERENCE	DESIGNATION	DATE	BY
50000/49000	PC30500	11/22/53	J.M.
REVISION	DESCRIPTION	DATE	BY
1	REVISED TO SHOW REVISIONS	11/22/53	J.M.
2	REVISED TO SHOW REVISIONS	11/22/53	J.M.
3	REVISED TO SHOW REVISIONS	11/22/53	J.M.
4	REVISED TO SHOW REVISIONS	11/22/53	J.M.
5	REVISED TO SHOW REVISIONS	11/22/53	J.M.
6	REVISED TO SHOW REVISIONS	11/22/53	J.M.
7	REVISED TO SHOW REVISIONS	11/22/53	J.M.
8	REVISED TO SHOW REVISIONS	11/22/53	J.M.
9	REVISED TO SHOW REVISIONS	11/22/53	J.M.
10	REVISED TO SHOW REVISIONS	11/22/53	J.M.
11	REVISED TO SHOW REVISIONS	11/22/53	J.M.
12	REVISED TO SHOW REVISIONS	11/22/53	J.M.
13	REVISED TO SHOW REVISIONS	11/22/53	J.M.
14	REVISED TO SHOW REVISIONS	11/22/53	J.M.
15	REVISED TO SHOW REVISIONS	11/22/53	J.M.
16	REVISED TO SHOW REVISIONS	11/22/53	J.M.
17	REVISED TO SHOW REVISIONS	11/22/53	J.M.
18	REVISED TO SHOW REVISIONS	11/22/53	J.M.
19	REVISED TO SHOW REVISIONS	11/22/53	J.M.
20	REVISED TO SHOW REVISIONS	11/22/53	J.M.
21	REVISED TO SHOW REVISIONS	11/22/53	J.M.
22	REVISED TO SHOW REVISIONS	11/22/53	J.M.
23	REVISED TO SHOW REVISIONS	11/22/53	J.M.
24	REVISED TO SHOW REVISIONS	11/22/53	J.M.
25	REVISED TO SHOW REVISIONS	11/22/53	J.M.
26	REVISED TO SHOW REVISIONS	11/22/53	J.M.
27	REVISED TO SHOW REVISIONS	11/22/53	J.M.
28	REVISED TO SHOW REVISIONS	11/22/53	J.M.
29	REVISED TO SHOW REVISIONS	11/22/53	J.M.
30	REVISED TO SHOW REVISIONS	11/22/53	J.M.
31	REVISED TO SHOW REVISIONS	11/22/53	J.M.
32	REVISED TO SHOW REVISIONS	11/22/53	J.M.
33	REVISED TO SHOW REVISIONS	11/22/53	J.M.
34	REVISED TO SHOW REVISIONS	11/22/53	J.M.
35	REVISED TO SHOW REVISIONS	11/22/53	J.M.
36	REVISED TO SHOW REVISIONS	11/22/53	J.M.
37	REVISED TO SHOW REVISIONS	11/22/53	J.M.
38	REVISED TO SHOW REVISIONS	11/22/53	J.M.
39	REVISED TO SHOW REVISIONS	11/22/53	J.M.
40	REVISED TO SHOW REVISIONS	11/22/53	J.M.
41	REVISED TO SHOW REVISIONS	11/22/53	J.M.
42	REVISED TO SHOW REVISIONS	11/22/53	J.M.
43	REVISED TO SHOW REVISIONS	11/22/53	J.M.
44	REVISED TO SHOW REVISIONS	11/22/53	J.M.
45	REVISED TO SHOW REVISIONS	11/22/53	J.M.
46	REVISED TO SHOW REVISIONS	11/22/53	J.M.
47	REVISED TO SHOW REVISIONS	11/22/53	J.M.
48	REVISED TO SHOW REVISIONS	11/22/53	J.M.
49	REVISED TO SHOW REVISIONS	11/22/53	J.M.
50	REVISED TO SHOW REVISIONS	11/22/53	J.M.
51	REVISED TO SHOW REVISIONS	11/22/53	J.M.
52	REVISED TO SHOW REVISIONS	11/22/53	J.M.
53	REVISED TO SHOW REVISIONS	11/22/53	J.M.
54	REVISED TO SHOW REVISIONS	11/22/53	J.M.
55	REVISED TO SHOW REVISIONS	11/22/53	J.M.
56	REVISED TO SHOW REVISIONS	11/22/53	J.M.
57	REVISED TO SHOW REVISIONS	11/22/53	J.M.
58	REVISED TO SHOW REVISIONS	11/22/53	J.M.
59	REVISED TO SHOW REVISIONS	11/22/53	J.M.
60	REVISED TO SHOW REVISIONS	11/22/53	J.M.
61	REVISED TO SHOW REVISIONS	11/22/53	J.M.
62	REVISED TO SHOW REVISIONS	11/22/53	J.M.
63	REVISED TO SHOW REVISIONS	11/22/53	J.M.
64	REVISED TO SHOW REVISIONS	11/22/53	J.M.
65	REVISED TO SHOW REVISIONS	11/22/53	J.M.
66	REVISED TO SHOW REVISIONS	11/22/53	J.M.
67	REVISED TO SHOW REVISIONS	11/22/53	J.M.
68	REVISED TO SHOW REVISIONS	11/22/53	J.M.
69	REVISED TO SHOW REVISIONS	11/22/53	J.M.
70	REVISED TO SHOW REVISIONS	11/22/53	J.M.
71	REVISED TO SHOW REVISIONS	11/22/53	J.M.
72	REVISED TO SHOW REVISIONS	11/22/53	J.M.
73	REVISED TO SHOW REVISIONS	11/22/53	J.M.
74	REVISED TO SHOW REVISIONS	11/22/53	J.M.
75	REVISED TO SHOW REVISIONS	11/22/53	J.M.
76	REVISED TO SHOW REVISIONS	11/22/53	J.M.
77	REVISED TO SHOW REVISIONS	11/22/53	J.M.
78	REVISED TO SHOW REVISIONS	11/22/53	J.M.
79	REVISED TO SHOW REVISIONS	11/22/53	J.M.
80	REVISED TO SHOW REVISIONS	11/22/53	J.M.
81	REVISED TO SHOW REVISIONS	11/22/53	J.M.
82	REVISED TO SHOW REVISIONS	11/22/53	J.M.
83	REVISED TO SHOW REVISIONS	11/22/53	J.M.
84	REVISED TO SHOW REVISIONS	11/22/53	J.M.
85	REVISED TO SHOW REVISIONS	11/22/53	J.M.
86	REVISED TO SHOW REVISIONS	11/22/53	J.M.
87	REVISED TO SHOW REVISIONS	11/22/53	J.M.
88	REVISED TO SHOW REVISIONS	11/22/53	J.M.
89	REVISED TO SHOW REVISIONS	11/22/53	J.M.
90	REVISED TO SHOW REVISIONS	11/22/53	J.M.
91	REVISED TO SHOW REVISIONS	11/22/53	J.M.
92	REVISED TO SHOW REVISIONS	11/22/53	J.M.
93	REVISED TO SHOW REVISIONS	11/22/53	J.M.
94	REVISED TO SHOW REVISIONS	11/22/53	J.M.
95	REVISED TO SHOW REVISIONS	11/22/53	J.M.
96	REVISED TO SHOW REVISIONS	11/22/53	J.M.
97	REVISED TO SHOW REVISIONS	11/22/53	J.M.
98	REVISED TO SHOW REVISIONS	11/22/53	J.M.
99	REVISED TO SHOW REVISIONS	11/22/53	J.M.
100	REVISED TO SHOW REVISIONS	11/22/53	J.M.



OBTAINING SERVICE

Return this vehicle to any IC Bus Dealer authorized to service this model vehicle and engine.

DISCLAIMER

NO WARRANTIES ARE GIVEN BEYOND THOSE DESCRIBED HEREIN. THIS WARRANTY IS IN LIEU OF ALL OTHER WARRANTIES, EXPRESSED OR IMPLIED. THE COMPANY SPECIFICALLY DISCLAIMS WARRANTIES OF MERCHANTABILITY AND FITNESS FOR A PARTICULAR PURPOSE, ALL OTHER REPRESENTATIONS TO THE USER/PURCHASER, AND ALL OTHER OBLIGATIONS OR LIABILITIES. THE COMPANY FURTHER EXCLUDES LIABILITY FOR INCIDENTAL AND CONSEQUENTIAL DAMAGES, ON THE PART OF THE COMPANY OR SELLER. No person is authorized to give any other warranties or to assume any liabilities on the Company's behalf unless made or assumed in writing by the seller.

Remedies Under State or Provincial Law: Any suit for breach of this Limited Warranty must be initiated within one year after breach. Some States and Provinces do not allow the exclusion or limitation of incidental or consequential damages, so the above limitation or exclusion may not apply to the owner. This warranty gives the owner specific legal rights, and he may also have other legal rights which may vary by state or province.

RECORD OF OWNERSHIP

Upon receipt of new vehicle by original owner, complete the following: I have read this Warranty Brochure and fully understand the warranty coverage, and the limitations and exclusions. I acknowledge that I have received a copy of the Owner's Limited Warranty and I accept the terms described herein.

Customer Signature	_____	Date	_____
Owner's Address	_____	City	_____
State/Prov	_____	Postal Code	_____
Bus Model	_____	Vehicle Identification Number	_____
Engine Number	_____	Engine Serial Number	_____
Date Delivered to User (DTU)	_____	Odometer Reading at Delivery	_____

IMPORTANT: The information contained in this Warranty Policy explains the coverage provided on your new IC Bus™ brand vehicle. This policy should be kept in the vehicle for presentation to the Dealer when you request warranty services.

Any provisions of this Limited Warranty that are prohibited or not enforceable in any jurisdiction shall be, as to such jurisdiction, ineffective to the extent of such prohibition or non-enforceability without invalidating the remaining provisions hereof, and any such prohibition or non-enforceability in any jurisdiction shall not invalidate or render non-enforceable any such provisions in any other jurisdiction.

All claims under this Limited Warranty must be submitted in writing to an authorized IC Bus dealer within the warranty period as stated herein. If you have questions regarding this Limited Warranty, contact IC Bus, LLC dealer. To locate nearest dealer, visit the IC Bus website www.ICBus.com.

EFFECTIVE WITH VEHICLES BUILT JANUARY 02, 2015 OR LATER

LIMITED WARRANTY FOR COMMERCIAL BUS MODELS

CE Series (PC105), RE Series (PC305), BE Series (PC405)

IC Bus, LLC warrants to the original purchaser (the "Purchaser") that IC Bus, brand LLC buses and component parts thereof are, at the time of purchase, free from defects in material and workmanship and will remain free from such defects under normal use after delivery to the Purchaser as provided herein. Warranty shall begin at the time of delivery unless otherwise approved by IC Bus, LLC. The delivery limitations as set forth herein shall run from the date of delivery to the Purchaser in the United States of America and Canada. The remedy available under this Limited Warranty is non-cumulative in nature and is limited to repair or replacement at IC Bus, LLC option of the bus or component parts thereof that are returned to locations approved by IC Bus, LLC transportation charges prepaid, and which IC Bus, LLC examination disclosed to its satisfaction to be defective. IC Bus, LLC, at its option, will repair or replace any part of this vehicle which proves defective in material and/or workmanship in normal use and service, with new or ReNEWed parts. Exceptions are listed below under *What Is Not Covered*.

This warranty is automatically transferred to subsequent owners at no charge. Visit your local IC Bus Dealer for name and address change information.

COMPONENT COVERAGE

The components described below are given additional warranty coverage of variable time periods and distance traveled limitations, as shown in the *Warranty Coverage Schedule*.

1. Frame Rails and Crossmembers
2. Body/Cowl Structure.
 - Body Structure defined as the steel body frame (which includes the roof, metal floor, sides and front and rear sections only).
 - As to items not considered Body Structure, but are not limited to, are the following: doors, corner moldings, inner ABS panels, interior wall, plywood, floor covering, windows, and trim moldings.
3. The Body/Cowl is warranted against perforation due to corrosion, except for perforation caused by industrial chemicals and/or corrosion caused by use in a corrosive industrial environment.
4. Navistar Diesel Engine Coverage Includes: Engine block, cylinder heads, internally lubricated components fuel pump, high pressure pump, turbocharger, water pump, air compressor, injectors/nozzles; electronic engine modules, engine relays, engine sensors and regulators required for electronic engine operation, and certain aftertreatment components. Excluding: attaching accessories (e.g., fan clutch, alternator, starter, etc.), and externally mounted electrical and filtration systems.
5. Power Solutions International 8.8L Propane Engine Coverage includes: engine block, cylinder heads, internally lubricated components, water pump, air compressor, injectors/nozzles, fuel system components, electronic engine modules, engine relays, engine sensors and regulators required for electronic engine operation, exhaust catalyst. Excluding: attaching accessories (e.g. fan clutch, alternator, starter
6. Spicer front & rear axles and propeller shaft, when used with Allison transmission; excluding brakes, wheel ends axle shafts, controls & attachments.

THE PROVISIONS HEREOF CONSTITUTE THE EXCLUSIVE AND COMPLETE WARRANTY BY IC BUS, LLC ON IC BUS™ BRAND BUSES AND COMPONENT PARTS THEREOF MANUFACTURED BY IT, OR APPROVED BUS BODY CONTRACT MANUFACTURERS AND IS IN LIEU OF ALL OTHER OBLIGATIONS OR LIABILITIES OF IC BUS, LLC WHETHER EXPRESS OR IMPLIED.

Note: The customer has 365 days and up to a maximum of 100,000 miles (160,000 km) from DTU (delivery to end user) to purchase an extended warranty on the unit. For extended warranty purchases between 181 and 365 days from DTU and <100,000 miles (160,000 km) an additional fee will be assessed. See your local IC Bus dealer for details.



Items Covered	Months	Miles/Km (000)
BASIC VEHICLE COVERAGE		
Basic Vehicle Warranty	12	Unlimited
Towing (Vehicles with Navistar built engine failures only)	24	Unlimited
Towing (Vehicles with Power Solutions International, Inc. 8.8L Propane or Gasoline engine failures only)	24	Unlimited
COMPONENTS		
Frame Rails and Crossmembers	60	100/160
Body/Cowl Structure (Roof, Metal Floor, Sides and Front and Rear Sections)	60	100/160
Body/Cowl Perforation Corrosion	60	100/160
Bumper Corrosion and Paint Delamination	36	60/100
Body/Cowl/Hood Paint Delamination	60	100/160
Brightwork, Chassis Paint and Corrosion	6	Unlimited
IC Bus, LLC Factory Installed Air-Conditioning (IC Air)	30	150/240
SEATS***IC Bus Manufactured Seats Only		
Foam	48	50/80
Upholstery	24	24/40
Seat Frames & Barriers	60	100/160
ENGINE*		
MaxxForce® 7 Engine	24	Unlimited
MaxxForce® DT Engine Standard Torque	24	Unlimited
MaxxForce® DT Engine High Torque	24	Unlimited
Power Solutions International, Inc. 8.8L Propane Engine	24	Unlimited
Power Solutions International, Inc. 8.8L Gasoline Engine	24	Unlimited
DRIVETRAIN**		
Eaton/Dana/Spicer-3 Part Drivetrain*** (Front & Rear Axles, Propeller Shaft, When Used With Allison Transmission Only)	48	50/80
Meritor Axles	48	75/120

*Emission Coverage: Refer to engine operator's manual for emission coverage.
 **Drivetrain:
 • Allison Transmissions products or Transynd lubricants and fluids are not covered under this warranty. For warranty information, see: www.allisontransmission.com/publications/
 • For specific Eaton/Fuller Warranty coverage, see supplier information: www.roadrangerwarranty.com
 • For extended component warranty: www.roadranger.com/RoadrangerWarranty/ExtendedWarranty/index.htm
 ***For non IC Bus Manufactured seats, contract the seat supplier for their warranty coverage. For Enova charge sustaining and charge depleting standard warranty go to: <http://enovasytems.com/customer-support.html>

WHAT IS NOT COVERED AFTER THE FIRST 90 DAYS FROM DELIVERY TO USER (DTU):

- Correction of loose fasteners, squeaks, rattles and unusual noises.
- Towing (vehicles with non-engine failures only).
- Adjustments (e.g., headlights, brake adjustments, steering system adjustments, coolant levels, doors, mirrors, camera systems).

COMPONENTS / ITEMS:

- Warranted by their respective manufacturers (e.g. non Navistar brand engines, tires & tubes, Allison Transmissions, hybrid electric, lubricants, etc.)
- Bodies, equipment and accessories installed by other than authorized IC Bus employees at IC Bus manufacturing plants.
- Front and rear axle alignment.
- Front & Rear axle coverage excludes brakes, wheel ends, axle shafts, controls & attachments

REPAIRS:

- Maintenance-related items/repairs or those as a result of normal wear and tear, including tune-ups, brake/clutch lining, windshield wiper blades, tire balancing, lubrication and other similar procedures/parts required to keep vehicle in good working condition.
- To any part of the vehicle subjected to misuse, negligence, improper maintenance, improper operation, or which is the result of an accident.
- Fade, runs, mismatch or damage to paint, trim items, upholstery, chrome, polished surfaces, etc., resulting from environmental causes, improper polishes, cleaners or washing solutions, or chemical and industrial fallout.
- In which power train, propeller shaft and suspension sales guidelines (specifications) are not strictly adhered to by all owners and operators of this vehicle.

OTHER:

- Vehicles sold and/or operated outside the United States and Canada.
- Vehicles/components that have had unauthorized alterations or modifications.
- Vehicles on which the odometer reading has been altered.
- Loss of time or use of the vehicle, loss of profits, inconvenience, or other consequential or incidental damages or expenses.
- Replacement of defective parts with parts other than those provided by IC Bus, LLC.

This warranty does not apply, or include coverage for defects attributable to the following:

- Damage resulting from: (i) misuse, abuse, accident, neglect, negligence, vandalism, fire, riot, war, or Acts of God;
- (ii) Structural or other modifications or alteration without prior express written authorization by IC Bus, LLC; (iii) Repair or attempted repair by unauthorized persons; (iv) Replacement of original components with substitutes without prior express written authorization by IC Bus, LLC; (v) Failure to perform routine preventative maintenance as customarily accepted within the industry or failure to provide proof of such preventative maintenance having been performed; (vi) Exposure to corrosives, contaminants, chemicals, salt, irradiation or atmospheric or environmental conditions; (vii) Usage or loading in excess of recommended capacities or in non-standard applications, including off-road.
- Fading or discoloration of paint, lettering or decals.
- Effects of aftermarket installation and aftermarket parts installed by the dealer or customer.



CTS-3305G

**HIDALGO COUNTY SHERIFF'S OFFICE
JAIL COMMISSARY
ITEM REQUISITION FORM**

Date Requested: 11/10/2020
Requested By: J. KALTENBACH
Date Entered: 11/10/2020
Entered By: Sabrina Solis
Total Amount: \$194,701.00
Explanation: Prisoner Transport Bus
Awarded Vendor: Long Horn Bus Sales

Requisition #: 312A

DESCRIPTION	QUANTITY	UNIT PRICE	MarkUp	TOTAL
Prisoner Transport Bus	1	193,901.00		\$ 193,901.00
Buy Board Fee Per PO Contract No. 549-17	1	800.00		\$ 800.00
				\$ 194,701.00

DIVISION CHIEF: Capt. Belinda Madrigal
ORDERED/REVIEWED BY: Sabrina Solis

11/10/20
Date Approved

NOTES: For Jail