



INTEGRATED RE C BUS

Sales Proposal For:
Hidalgo County Sheriff

Presented By:
LONGHORN BUS SALES

Prepared For:

Hidalgo County Sheriff
Joshua Kaltenbach
711 W El Cibolo Rd.
Edinburg, TX 78541-9848
(956)393 - 6022
Reference ID: 42P RE Inmate

Presented By:

LONGHORN BUS SALES
CHERYL C BELL
9100 N LOOP E
HOUSTON TX 77029 -
(713)631-9306

Thank you for the opportunity to provide you with the following quotation on a new IC Corporation vehicle. I am sure the following detailed specification will meet your operational requirements, and I look forward to serving your business needs.

Model Profile
2022 INTEGRATED RE C BUS (PC305)

APPLICATION: Correctional Institutions
MISSION: Requested GVWR: 36220. Calc. GVWR: 36220
 Calc. Start / Grade Ability: 29.88% / 2.61% @ 55 MPH
 Calc. Geared Speed: 76.9 MPH

DIMENSION: Wheelbase: 303.00, CA: N/A, Axle to Frame: 118.00

ENGINE, DIESEL: {Cummins L9 300} EPA 2017, 300HP @ 2000 RPM, 860 lb-ft Torque @ 1300 RPM, 2200 RPM Governed Speed, 300 Peak HP (Max), for Shuttle Bus Only

TRANSMISSION, AUTOMATIC: {Allison 3000 PTS} 5th Generation Controls, Close Ratio, 6-Speed with Double Overdrive, Less PTO Provision, Less Retarder, Includes Oil Level Sensor, with Direct Mount Cooler 7-Plate Design (Standard Capacity), with 80,000-lb GVW and GCW Max, School Bus

CLUTCH: Omit Item (Clutch & Control)

AXLE, FRONT NON-DRIVING: {Meritor MFS-14-122A} I-Beam Type, 14,000-lb Capacity

AXLE, REAR, SINGLE: {Dana Spicer 23060SH R/O} Single Reduction, Pinion Up, 23,000-lb Capacity, 200 Wheel Ends Gear Ratio: 5.29

TIRE, FRONT: (2) 11R22.5 Load Range H AH37 (HANKOOK), 499 rev/mile, 75 MPH, All-Position

TIRE, REAR: (4) 11R22.5 Load Range H AH37 (HANKOOK), 499 rev/mile, 75 MPH, All-Position

SUSPENSION, REAR, AIR, SINGLE: {International IROS} 23,000-lb Capacity, 9.25" Ride Height, with Shock Absorbers

PAINT: Cab schematic 100WD
 Location 1: 9219, Winter White (Std)
 Chassis schematic N/A

Vehicle Specifications
2022 INTEGRATED RE C BUS (PC305)

October 19, 2020

Code	Description
PC30500	Base Chassis, Model INTEGRATED RE C BUS with 303.00 Wheelbase, N/A CA, and 118.00 Axle to Frame.

BODY PLANS

47ALB	BODY, BUS for RE; 78" Headroom, 42'2" Body Length, 90 Passenger, 303" WB
OBD005	BODY PLAN, NON-SPECIAL NEEDS BODY PLAN, NON-SPECIAL NEEDS, Use LHORN-1919
49001	BODY PLAN, APPROVED VARIATION Number 001

ENGINE

12EMS	ENGINE, DIESEL {Cummins L9 300} EPA 2017, 300HP @ 2000 RPM, 860 lb-ft Torque @ 1300 RPM, 2200 RPM Governed Speed, 300 Peak HP (Max), for Shuttle Bus Only
12UBP	RADIATOR SIDE MOUNTED, Aluminum, Over Under System, 1296 SqIn, with 332 SqIn Charge Air Cooler <u>Includes</u> : DEAERATION SYSTEM with Surge Tank : HOSE CLAMPS, RADIATOR HOSES Surge Tank Hose Spring Band Type : RADIATOR HOSES Premium, Rubber
12TJB	FAN DRIVE {Horton Modulator} Viscous Type, Two-Speed, with Mechanical Gear Drive 90 Degree Unit, Electronically Controlled
12VBC	AIR CLEANER Single Element <u>Includes</u> : AIR CLEANER with Vacuator : GAUGE, AIR CLEANER RESTRICTION Air Cleaner Mounted
12703	ANTI-FREEZE Red, Extended Life Coolant; To -40 Degrees F/ -40 Degrees C, Freeze Protection
12VVN	CRUISE CONTROL Electronic
12WZD	EMISSION COMPLIANCE Engine Shutdown System Exempt Vehicles, Complies with California Clean Air Regulations
12VHJ	FEDERAL EMISSIONS {Cummins L9} EPA, OBD and GHG Certified for Calendar Year 2020
12VWH	GOVERNOR Electronic Road Speed Type; for Electronic Engines and Bus Models; with 55 MPH Default
12WAE	HOSE CLAMPS, RADIATOR HOSES Constant Torque, for Engine Hoses 1.0" I.D. and Over
12VYV	IDLE MANAGEMENT SYSTEM Ramp Engine Speed with Air Condition On, in Neutral and Parking Brake Set, Accommodation Package
12UGN	THROTTLE, HAND CONTROL Electronic

TRANSMISSION

13AWR	TRANSMISSION, AUTOMATIC {Allison 3000 PTS} 5th Generation Controls, Close Ratio, 6-Speed with Double Overdrive, Less PTO Provision, Less Retarder, Includes Oil Level Sensor, with Direct Mount Cooler 7-Plate Design (Standard Capacity), with 80,000-lb GVW and GCW Max, School Bus
13WUM	ALLISON SPARE INPUT/OUTPUT for Pupil Transportation Series (PTS), Package Number 148
13WYU	SHIFT CONTROL PARAMETERS {Allison} 3000 or 4000 Series Transmissions, Performance Programming
13WLP	TRANSMISSION OIL Synthetic; 29 thru 42 Pints

CLUTCH

11001	CLUTCH Omit Item (Clutch & Control)
-------	-------------------------------------

Code Description
REAR AXLES, SUSPENSIONS

14AHR AXLE, REAR, SINGLE {Dana Spicer 23060SH R/O} Single Reduction, Pinion Up, 23,000-lb Capacity, 200 Wheel Ends . Gear Ratio: 5.29

Includes

: REAR AXLE DRAIN PLUG (1) Magnetic, For Single Rear Axle

Notes

: The following features should be considered when calculating Rear GAWR: Rear Axles; Rear Suspension; Brake System; Brakes, Rear Air Cam; Brake Shoes, Rear; Special Rating, GAWR; Wheels; Tires.

: When Specifying Axle Ratio, Check Performance Guidelines and TCAPE for Startability and Performance

14TBT SUSPENSION, REAR, AIR, SINGLE {International IROS} 23,000-lb Capacity, 9.25" Ride Height, with Shock Absorbers

Notes

: The following features should be considered when calculating Rear GAWR: Rear Axles; Rear Suspension; Brake System; Brakes, Rear Air Cam; Brake Shoes, Rear; Special Rating, GAWR; Wheels; Tires.

FRONT AXLES

2AST AXLE, FRONT NON-DRIVING {Meritor MFS-14-122A} I-Beam Type, 14,000-lb Capacity

Includes

: AXLE, FRONT SQUARING to Plus or Minus .015 Inch, using a Special Fixture to Assure Parallelism of Springs

Notes

: The following features should be considered when calculating Front GAWR: Front Axles; Front Suspension; Brake System; Brakes, Front Air Cam; Wheels; Tires.

FRONT SUSPENSIONS

3ADD SUSPENSION, FRONT, SPRING Parabolic Taper Leaf, Shackle Type, 14,000-lb Capacity, with Shock Absorbers

Includes

: SPRING PINS Smooth Pin with Lube Distribution Flats

Notes

: The following features should be considered when calculating Front GAWR: Front Axles; Front Suspension; Brake System; Brakes, Front Air Cam; Wheels; Tires.

CABS, COWLS, BODIES

16015 PLATFORM Standard Location

16HAA GAUGE CLUSTER English with English Electronic Speedometer and with Tachometer for Air Brake Chassis

Includes

: GAUGE, ENGINE OIL PRESSURE Electronic

: GAUGE, WATER TEMPERATURE Electronic

: VOLTMETER

16HLJ GAUGE, DEF FLUID LEVEL

16HJC GAUGE PACKAGE Includes Hourmeter and Oil Temperature Gauge (Automatic Transmission)

16HCH SEATBELT WARNING LIGHT IND. Mounted in Dash, Will Flash when Park Brake is Disengaged and Driver Seatbelt Unfastened, Audible Alarm to remind Driver to Fasten Seatbelt

FRAMES

Vehicle Specifications
2022 INTEGRATED RE C BUS (PC305)

October 19, 2020

Code	Description
1CBX	FRAME RAILS High Strength Low Alloy Steel (50,000 PSI Yield); 10.000" x 3.000" x 0.250" x 498.3" OAL, 303" WB <u>Includes</u> : CHASSIS PAINT Chassis Painted Prior to Body Mounting : FRAME RAILS All holes Laser Aligned and Machine Punched, Powder Coated Prior to Full Assembly, Assembled in Fixture using "Grade 8" Bolts
1LLE	BUMPER, FRONT Contoured, Steel, Severe Duty <u>Includes</u> : BUMPER, FRONT THICKNESS 1/4 Inch

BRAKES

4091	BRAKE SYSTEM, AIR Dual System for Straight Truck Applications <u>Includes</u> : BRAKE LINES Color and Size Coded Nylon : DRAIN VALVE Twist-Type : GAUGE, AIR PRESSURE Single Gauge, Dual Needles : INVERSION VALVE Bendix SR-1 and Double Check Valve : PARKING BRAKE CONTROL Yellow Knob, Located on Instrument Panel : PARKING BRAKE VALVE For Truck : QUICK RELEASE VALVE On Rear Axle for Spring Brake Release: 1 for 4x2, 2 for 6x4 <u>Notes</u> : The following features should be considered when calculating Front GAWR: Front Axles; Front Suspension; Brake System; Brakes, Front Air Cam; Wheels; Tires.
4AZS	AIR BRAKE ABS {Bendix AntiLock Brake System} 4-Channel (4 Sensor/4 Modulator) Electronic Stability Program, with Automatic Traction Control
4XDP	BRAKES, FRONT {Meritor 16.5X5 Q-PLUS CAST} Air S-Cam Type, Cast Spider, Fabricated Shoe, Double Anchor Pin, Size 16.5" X 5", 14,600-lb Capacity
4EXV	BRAKE CHAMBERS, FRONT AXLE {Bendix} 24 SqIn
4LAG	SLACK ADJUSTERS, FRONT {Gunitite} Automatic
4XDS	BRAKES, REAR {Meritor 16.5X8.625 Q-PLUS CAST} Air S-Cam Type, Cast Spider, Fabricated Shoe, Double Anchor Pin, Size 16.5" X 8.625", 23,000-lb Capacity per Axle
4EXU	BRAKE CHAMBERS, REAR AXLE {Bendix EverSure} 30/30 SqIn Spring Brake
4SPA	AIR COMPRESSOR {Cummins} 18.7 CFM
4EBP	AIR DRYER {Bendix AD-9} with Heater, Mounted Center of Double Crossmember, Forward of Rear Axle
4VBX	AIR TANK LOCATION (2) Mounted Between Rails and Over Front Axle
4722	DRAIN VALVE {Bendix DV-2} Automatic, with Heater, for Air Tank
4WEA	PARKING BRAKE INTERLOCK Parking Brake Cannot be Released until Ignition Switch is in the "ON" Position and the Service Brake Pedal is Applied, Use with air brake chassis only.
4LGG	SLACK ADJUSTERS, REAR {Gunitite} Automatic

STEERING

5PRJ	STEERING GEAR {TRW (Ross) TAS65} Power
5708	STEERING COLUMN Tilting
5CAL	STEERING WHEEL 2-Spoke, 18" Dia., Black

Code	Description
-------------	--------------------

6DGG	DRIVELINE SYSTEM {Dana Spicer} 1710, for 4x2/6x2
------	--

EXHAUST SYSTEMS

7BLR	EXHAUST SYSTEM Single, Horizontal Aftertreatment Device, Frame Mounted Outside Left Rail, Includes Single Horizontal Tail Pipe
------	--

Includes

: NOTE: The Horizontal Tailpipe Includes a Temperature Control Device

7SCP	ENGINE EXHAUST BRAKE for Cummins ISB/B6.7/ISL/L9 Engine with Variable Vane Turbo Charger
------	--

7WBN	TAIL PIPE (1) Horizontal, Long, Exits Left Side Behind Wheel 12" From Rear
------	--

ELECTRICAL SYSTEMS

8000	ELECTRICAL SYSTEM 12-Volt, Standard Equipment
------	---

Includes

: HAZARD SWITCH Push On/Push Off, Located on Bottom of Steering Column Cover

: HEADLIGHT DIMMER SWITCH Integral with Turn Signal Lever

: MISCELLANEOUS FEATURES Modular, Loom Protected, Grommets in all Applicable Body Openings, Assembled in Computer Assisted Fixture which Verifies Continuity and Correct Assembly Prior to Installation

: PARKING LIGHT Integral with Front Turn Signal and Rear Tail Light

: STARTER SWITCH Electric, Key Operated

: TURN SIGNAL FLASHER

: TURN SIGNAL SWITCH Self-Cancelling with Lane Change Feature

: TURN SIGNALS, FRONT Includes Reflectors; Flush Mounted

: WINDSHIELD WIPER SWITCH 2-Speed with Wash Feature, Instrument Panel Mounted

: WIRING, CHASSIS Color Coded and Continuously Numbered

8GXK	ALTERNATOR {Leece-Neville BLP4006HN} Brushless, 12 Volt, 325 Amp Capacity, Pad Mount, with Remote Sense
------	---

8TUP	BATTERY BOX Steel, with Sliding Tray, 25.25" Wide, for Standard Batteries, 2-3 Battery Capacity, Mounted Right Side Behind Rear Axle Perpendicular to Frame Rail
------	--

8MSG	BATTERY SYSTEM {Fleetrite} Maintenance-Free, (3) 12-Volt 1980CCA Total, Top Threaded Stud
------	---

8614	BRAKE WARNING INDICATOR Light; for Engaged Rear Wheel Parking Brake
------	---

8XAH	CIRCUIT BREAKERS Manual-Reset (Main Panel) SAE Type III with Trip Indicators, Replaces All Fuses
------	--

8TPL	COLLISION MITIGATION SYSTEM {Bendix Wingman Advanced} Adaptive Cruise Control with Collision Mitigation and Stationary Object Alert; Includes Front Antenna, Driver Display
------	---

8540	HORN, ELECTRIC (2) Trumpet Style
------	----------------------------------

8WCB	INDICATOR, LOW OIL PRESSURE / HIGH COOLANT TEMPERATURE / LOW COOLANT LEVEL Light and Audible Alarm; Electronic Controlled
------	---

8WNH	RUNNING LIGHT (2) Daytime
------	---------------------------

8WXG	STARTING MOTOR {Mitsubishi Electric Automotive America 105P} 12-Volt, with Soft-Start
------	---

FRONT END

9AAE	LOGOS EXTERIOR, ENGINE Badges
------	-------------------------------

SPEEDOMETER, TOOLS, MISC

Vehicle Specifications
2022 INTEGRATED RE C BUS (PC305)

October 19, 2020

Code	Description
10020	CHASSIS PAINT Full Chassis
10AAAY	OVER THE AIR PROGRAMMING {Navistar} for Cummins Engines
10060	PAINT SCHEMATIC, PT-1 Single Color, Design 100 <u>Includes</u> : PAINT SCHEMATIC ID LETTERS "WD"
10788	PAINT TYPE Urethane, One or Two Colors, Other than Imron or International.

FUEL TANKS

15SJX	FUEL TANK Steel, Rectangular, 105 US Gal (397L), Includes Protective Cage, Mounted Between Frame Rails and Ahead of Rear Axle <u>Notes</u> : Requires 195" WB Minimum
15WEA	DEF TANK 12 US Gal (45L) Capacity, Frame Mounted Outside Left Rail, Behind Rear Axle
15LMN	FUEL/WATER SEPARATOR {Racor 400 Series,} 12 VDC Electric Heater, Includes Pre-Heater, with Primer Pump, Includes Water-in-Fuel Sensor

WHEELS, TIRES - FRONT

27DUW	WHEELS, FRONT {Accuride 51408} DISC; 22.5x8.25 Rims, Powder Coat Steel, 2-Hand Hole, 10-Stud, 285.75mm BC, Hub-Piloted, Flanged Nut, with Steel Hubs
7382135809	(2) TIRE, FRONT 11R22.5 Load Range H AH37 (HANKOOK), 499 rev/mile, 75 MPH, All-Position

WHEELS, TIRES - REAR

28DUW	WHEELS, REAR {Accuride 51408} DUAL DISC; 22.5x8.25 Rims, Powder Coat Steel, 2-Hand Hole, 10-Stud, 285.75mm BC, Hub-Piloted, Flanged Nut, with Steel Hubs
7382135809	(4) TIRE, REAR 11R22.5 Load Range H AH37 (HANKOOK), 499 rev/mile, 75 MPH, All-Position

WHEELS MISC OPTIONS


29580	WHEEL SEALS, FRONT {International} Oil-Lubricated Wheel Bearings
29597	WHEEL SEALS, REAR {Stemco Voyager} Oil Lubricated Wheel Bearings

BODY FEATURES

47BAK	BUMPER, REAR Painted, 12" High, 3/16" Thick
47BAR	SUPPORTS, REAR BUMPER Bolted to Frame
47BAV	TOW HOOKS, FRONT (2) 1 Left, 1 Right
47BAW	TOW HOOK, LEFT REAR (01)
47BAX	TOW HOOK, RIGHT REAR (01)
47ARH	BOWS, ROOF 14 ga., One Piece Construction <u>Includes</u> : BOWS, ROOF Positioned Floor Line to Floor Line, Threaded Through Roof Strainers and Drip Rail
47APX	FASTENERS, HEADLINER Screws
47BBN	HANDLE, ASSIST, OVER WINDSHLD Body Color

Vehicle Specifications
2022 INTEGRATED RE C BUS (PC305)

October 19, 2020

Code	Description
47APN	HEADLINER, BODY for RE; Perforated Full Length with Sound Insulation Full Length
47BBW	LATCH, ACCESS DOOR Front, Lever Type
47ARP	LIGHT BARS Plastic
47BBH	LINING, SIDE INTERIOR, LOWER Embossed Steel, Clear Coated
47MBN	ROOF CAPS Smooth Front & Rear, for Commercial Bus & Activity Bus
47AVH	RUB RAILS, BODY (3) 16ga., Steel <u>Includes</u> : RUB RAILS Full Length, Primer Coated (Both Sides), Attached to Body without Cuts or Splices
47BBZ	SEALER Extra; Sidewall to Floor, In Wheel Pocket Area, and Rear Wall to Floor
47BBC	SEALER, DOOR Front Access Doors
47AZJ	SIDE SHEET, BODY, EXTERIOR for RE, 16 ga., Smooth
47AVD	SKID PLATE Right Front Step Well Guard
47ARY	SKIRT, BODY for RE; 28", 16 ga. <u>Includes</u> : SKIRT, BODY Extra Smooth Steel Supported by Floor Gussets
47AKK	STEP, FRONT ENTRANCE DOOR 25 3/4" Depth; 14ga Steel <u>Includes</u> : STEP, FRONT ENTRANCE DOOR OPENING, 35 Inch Width; Continuous Bottom to Top
47KKM	TIE DOWNS, BODY with Grade 8 Bolts, Every Body Section, with Reinforcements
47DAA	CONTROL, ENTRANCE DOOR Electric Over Air, 2 Position Selector Switch Mounted left of Driver
47DBP	DOOR, ENTRANCE, FRONT Air, Outward Opening, with Split Pane Glass <u>Includes</u> : DOOR, ENTRANCE, FRONT Aluminum Frame with Pin Style Hinges, Ball Bearing Assisted, Interchangeable Top and Bottom Glass Lock
47DDE	HANDLE, ASSIST, ENTRANCE DOOR Outside Entrance
47EXK	LOCK, ENTRANCE DOOR Integrated Manual Control in Door, with Key
47DSC	COMPARTMENT, LUGG, PASS THRU (01) 114" 
47EBM	HOLD DOWN, BATTERY For (2) Standard Size Batteries
47LAU	INSULATION, ROOF AND SIDES 1.50", All Models
47MBC	INSULATION, STEPWELL
47LAB	NOISE REDUCTION, DRIVER FLOOR Insulation Covering Complete Driver Floor Area
47LAD	NOISE REDUCTION, ROOF BOW For RE; Insulation 1 1/2", All Body Lengths
47MBA	UNDERCOAT, BODY Fire Resistant, Water Based, TT-C-730 Spec <u>Includes</u> : UNDERCOATING Performed Before and After Mounting on Chassis
47MAC	UNDERCOAT, FLOOR/STEPWLL/SIDES for Engine Noise Reduction
47AJB	BODY CERTIFICATION TAG Mylar Label
47AJC	BODY TAG, METAL Capacity to Include the Total Number of Passengers

Vehicle Specifications
2022 INTEGRATED RE C BUS (PC305)

October 19, 2020

<u>Code</u>	<u>Description</u>
47PLX	LETTERS, DEF, I.D. Decal; "DEF ONLY", 1" Black, on DEF Filler Door
47MVA	LETTERS, HEADER Decal; "WATCH YOUR STEP", 1" Black, Above Windshield
47MVC	LETTERS, STEPWELL Decal, "WATCH YOUR STEP", 2.5" Black, Behind Door on Step Riser
47NTE	LOGO, ROOF LINE Decal; Wing and Shield, First Body Section, Above Driver Window and Entrance Door Over Driver Window and Entrance Door
47NJB	PAINT COLOR, BODY EXTERIOR 9219 Winter White
47NKM	PAINT COLOR, BODY INTERIOR 9384 Spring White
47NXU	PAINT FLASHER BACKGRD To Match Body Color
47NKL	PAINT, RUB RAIL Flange to Flange
47NGJ	PAINT, WINDOW BOW CAPS 0001 Canyon Black, Side Only
47NGW	SEAL, RUB RAILS Top Edge, All Rails
47MTY	WIRING DIAGRAM Schematic, Electrical
	<u>Includes</u> : ACCESS PANEL for Wiring Diagram Schematic Located on Body Exterior; Below Driver Window
47SAV	SUB FLOOR, PLYWOOD For RE; B-B Marine Grade, Less Sealed Edges, 5/8", 5 Ply, for All Body Lengths

BODY FEATURES

48ANT	WINDOW, DRIVER Laminated, Clear
48ATU	WINDOW, PASSENGER, TINT For RE; 28% Light, Laminated Glass, 78" Headroom, with All Body Lengths
48AAJ	WINDOW, REAR Omit Oval, Kick-Out Window, For RE Commercial Without Rear Window
48PAC	WINDSHIELD 4 Flat Pieces, 73% Light, with Shaded Band
48PAY	AISLE POSITION Center, for balanced seating
48PBB	FLOOR COVERING, COLOR Black
48PUP	FLOOR COVERING, TRIM Omit
48UWV	FLOOR COVERING, TYPE Koroseal, One Piece, Vinyl, All Body Lengths, Black
48RZJ	STEP TREADS {Koroseal} Pebble Top with White Nosing, with Non-Metal Backing
48PAV	WHEEL POCKET COVER Plastic, ABS
48PKC	HOSE CLAMPS, HEATER HOSE Constant Torque for Heater System
48PKN	FAN, DEFOG FAR RIGHT (01) Black, Mounted Right Above Windshield, Forward Entrance Door, 2-Speed Switch in Panel
48PKS	FAN, DEFOG RIGHT CENTER 6.50" Diameter, Black, Mounted Over Windshield, 15" Right of Centerline, 2-Speed Switch in Panel
48PLK	GRILLE, STATIC VENT, FRONT Adjustable with Screen, Requires Vent
48PMW	GRILLE, STATIC VENT, REAR Adjustable, with Screen
48PPN	HEATER CUT OFF, VALVE Quarter Turn Operation
48GHC	HEATER, DRIVER 90,000 BTU, with Defroster and without Rear Heat Duct

Includes
: AIR FILTER

Vehicle Specifications
2022 INTEGRATED RE C BUS (PC305)

October 19, 2020

<u>Code</u>	<u>Description</u>
	: HEATER HOSES Premium : HOSE CLAMPS, HEATER HOSE Mubea Constant Tension Clamps
48PMC	HEATER, PASS, LT MIDSHIP 1ST 50,000 BTU <u>Includes</u> : AIR FILTER
48PMH	HEATER, PASS, LT REAR 50,000 BTU <u>Includes</u> : AIR FILTER
48PNW	HEATER, WATER PUMP {2 MPU 12} Self Priming, with Plastic Housing
48PPS	ROOF VENT, FRONT Static
48PRH	ROOF VENT, REAR Static
48NAT	FITTINGS, AIR SEAT for Driver Seat
48PUT	NUTS, BELT MOUNTING Standard Nuts For Seat Belt Mounting
48GHE	SEAT BELT, DRIVER with Electric Buckle
48RYW	SEAT, DRIVER {National 2000} Air Suspension, High Back with Integral Headrest, Isolated, with 2 Position Front Cushion Adjustment, 6 to 17 Degree Seat Back Adjustment, Mechanical Lumbar Support, Includes Additional Back Padding <u>Includes</u> : SEAT BELT, DRIVER Adjustable D-Loop Seat Belt, Single Locking Retractor
48PVN	UPHOLSTERY, DRIVER SEAT, COLOR Drivers Seat, Gray
48PVA	UPHOLSTERY, DRIVER SEAT, STYLE Plain, with Cloth Insert
48PWN	UPHOLSTERY, DRIVER SEAT, TYPE Vinyl, 42 oz.
48RGR	HAND RAIL, ENTRANCE DOOR, AFT Stainless Steel, 4", Above Step
48DBN	SHIELD, COURTESY, AFT ENTR DR Padded, 30", Mounted Under Stanchion
48DBJ	SHIELD, COURTESY, AFT/DRIVER Padded, 36", Mounted Under Stanchion
48DCE	STANCHION, AFT ENTRANCE DOOR Stainless Steel, 30"
48DBW	STANCHION, AFT DRIVER Stainless Steel, 36"
48GHD	SEAT BELT, DRIVER, COLOR with Black Seat Belt Webbing
48USV	SEAT BACK, PASSENGER High Back
48TSG	SEAT,DAVENPORT,LEFT (01) 36"
48TSM	SEAT,DAVENPORT,RIGHT (01) 36"
48SCV	SEAT,PASS,LT,36",2 LEG (08)
48UTV	SEAT RELOCATION Driver Seat Centered with Steering Wheel
48YJG	SEAT,UCRA,LT,39",2 LEG {BTI Seating System} (01) High Back, with 3 Point Seat Belts
48PWD	UPHOLSTERY, PASS SEATS, COLOR Gray, for Seats, Barriers and Head Bumpers
48PGL	UPHOLSTERY, PASS SEATS, TYPE Vinyl, 52 oz.; for (19-20) Seats
48RLX	CUSHION, SEAT 15" Depth
48RRA	UPHOLSTERY, SEAT, STITCHING Single

Vehicle Specifications
2022 INTEGRATED RE C BUS (PC305)

October 19, 2020

Code **Description**
Includes
: WARRANTY Two Years

BODY FEATURES

49ZAA COMMERCIAL BUS NOT FOR SCHOOLS - This Code Certifies that the Dealer has Verified with the Purchaser that this Bus will Not Be Used for the Transportation of Passengers by Daycare Facilities, Preprimary, Primary or Secondary Schools to or from School or School-Related Activities

49AMJ ALARM, BACKING {Ecco #575} 107 db

49AMT CIRCUIT, PROTECTION Breakers, Manual Reset in Lieu of Fuses

Includes
: ACCESS PANEL for Body and Chassis Fuses/Circuit Breakers Located on Body Exterior; Below Driver Window

49BGJ FLASHER SYSTEM Omit; To be Used for Multi Functional School Activity Bus or Commercial Models Only, Non Route Use

49ADR HEADLIGHTS Halogen, Heavy Duty 5"x 7" Rectangular, with Turn Signal

49JBU LIGHT, ENTRY DOOR {Sound Off/OptiLuxx} LED; 4" Oval; Light Mounted in Skirt Behind Entrance Door, Wired To Step Light

49JBW LIGHT, STEP {Sound Off/OptiLuxx} 4" Round LED, White, Wired to Clearance Lights, Operated by Entrance Door

49JCG LIGHT, STROBE LED, Specialty Man. Co. 845-3020, Low Profile, Double Flash, 3.60" High

49BZG LIGHTS, BACK UP (2) {Sound Off/OptiLuxx} LED, 7" Round Clear

49JBS LIGHTS, CLUSTER {Sound Off/OptiLuxx} Oval, 4 Internal LEDs per Light; Amber Front and Red Rear

49BYY LIGHTS, DIRECTIONAL, FRONT {Sound Off/OptiLuxx} with Park, 7" Round Amber LED, on Front Cowl

49BYZ LIGHTS, DIRECTIONAL, REAR (2) {Sound Off/OptiLuxx} LED, 7" Round Amber

49EAX LIGHTS, DIRECTIONAL, SIDE (4) {Sound Off/OptiLuxx} Rectangular LED Armored, 2 Each Side First Section Aft Entrance Door & Forward Rear Wheel Pocket

49BYX LIGHTS, DOME {Sound Off/OptiLuxx} (08) LED, Rectangular Recessed Type, Mounted in Light Bar

49BYU LIGHTS, DOME, DRIVER {Sound Off/OptiLuxx} Rectangular LED, Left and Right Sides in Ceiling, Separate Switch

49BYV LIGHTS, MARKER, FRONT & REAR {Sound Off/OptiLuxx} Rectangular LED, Armored, (8) Four Amber Front and Four Red Rear

49EAW LIGHTS, MARKER, SIDE {Sound Off/OptiLuxx} Rectangular LED, Armored Type, Intermediate, Centered; Required for Units 30 Foot or Longer

49BYT LIGHTS, STOP (2) {Sound Off/OptiLuxx} and Tail; 7" Round LED, Red

49NGG LIGHTS, TAIL, LICENSE PLATE (2) {Sound Off/OptiLuxx} 4" Round LED, Red, Includes Stop & Light Window, Includes Mounting Gasket

49ANU SOURCE, POWER 12 VDC, Mounted In Dash

49BVD SWITCH, BATTERY Shut-Off, 300A Weather Resistant, In Battery Compartment

49APH SWITCH, DOME LIGHTS, SPLIT Front and Rear Operated with Separate 2 Position Switch, Quantity of Lights Split Equally

49AMD SWITCH, DRIVER PANEL, TYPE Rocker

Vehicle Specifications
2022 INTEGRATED RE C BUS (PC305)

October 19, 2020

<u>Code</u>	<u>Description</u>
49SAA	SWITCH, INSTRUMENT PANEL LIGHTS; Rheostat
49ANH	SWITCH, MAGNETIC, DISCONNECT Master, Ignition Operated, All Body Circuits
49AMC	TERMINAL STRIP Chassis
49AMB	WIRE, FEED 4 Gauge, Chassis To Body
	<u>Notes</u> : Terminals have heat shrink protection.
49BLM	WIRING, TWO WAY RADIO Power and Ground Connection Only; Connection in Flasher Plate Area with 20 Amp Fuse Protection
49HES	MIRROR, BRACE, EXTERIOR Telescoping for Breakaway Bracket
49EGM	MIRROR, CROSS VIEW, EXTERIOR Heated, Black, Rosco
49EGC	MIRROR, INSIDE 6" x 30", Clear Safety Glass, Metal Back, Round Corners
49EHG	MIRROR, REAR VIEW, EXTERIOR {Rosco} Black, Motorized Head, Breakaway Bracket
49ENK	VISOR, INTERIOR, LEFT FRONT 6" x 30", Transparent, For Left Windshield
49GGE	FIRE EXTINGUISHER, DRIVER AREA 5 lb 2A-40BC Minimum with Flexible Hose and Metal Nozzle
49GAY	KIT, BODY FLUID Texas
49EBA	KIT, FIRST AID Plastic; 24 Unit, Spec State
49GCD	LOCATION, BODY FLUID KIT Located in Drivers Area
49GCH	LOCATION, FIRST AID KIT Right Side Front Bulkhead with Screws
49GHN	REFLECTORS, REAR (2) 3", Red, Adhesive Back
49GHV	REFLECTORS, SIDE, FRONT (2) 3", Amber; Adhesive Back, 1 Aft Drivers Window Left, 1 Aft Entrance Door Right
49GHX	REFLECTORS, SIDE, INTERMEDIATE (2) 3" Amber, 1 Each Side, Below The Third Rub Rail From the Top, Adhesive Back
49GHR	REFLECTORS, SIDE, REAR (2) 3", Red, Adhesive Back
49EGW	SAFETY TRIANGLES Warning Reflectors, Located in Right Luggage Compartment, Includes Decals
49JAD	DEF FILLER DOOR with Locking Latch
49GUJ	FENDERS, RUBBER, FRONT (2)
49GUK	FENDERS, RUBBER, REAR (2)
49GNJ	FUEL FILLER DOOR with Locking Latch
49CKT	FUEL FILLER PIPE Low Profile Neck Cap and Vent Hosing, for Use with Right Side Fill for Between the Rail Fuel Tanks, for Above the Floor Fuel Fill, for 25 GPM Fill Rate Only
49GUM	INSPECTION PLATE Fuel Sending Unit 8" x 8" Steel
49GVA	MUD FLAPS, FRONT WHEELS (2) Anti-Sail and Anti-Spray
49GUY	MUD FLAPS, REAR WHEELS (2) Anti-Spray, Anti-Sail
49GTY	SWITCH, WIPER CONTROL Single, to Control Both Wipers
49GTR	WINDSHIELD WASHER Kit; 8 Quart Capacity, Bottle
	<u>Includes</u> : WINDSHIELD WASHER ELECTRICAL CONNECTIONS Sealed and Locking Type

Vehicle Specifications
2022 INTEGRATED RE C BUS (PC305)

October 19, 2020

Code	Description
49GTV	WINDSHIELD WIPERS (2) Bottom Mounted; Pantograph Type; Wet Arms, 28.5"
49UBZ	STATE OF OPERATION Texas
49BRN	DOME LIGHT, GUARD ONLY; Two Full Rows, Mounted with Tamper Proof Screws
OBD004	MISCELLANEOUS SEAT,PASS,RT,36",2 LEG, (09)

Services Section:

WARRANTY

40121	WARRANTY Standard for Commercial CE, RE Bus, Effective with Vehicles Built January 2, 2015 or Later, CTS-3305G
40RAR	SERVICES, TOWING {Navistar} Service Call to 36-Month/Unlimited Mileage to the Nearest IC Bus Dealer for Navistar Warrantable Failure as Contract Defined; Includes Engine Failure if Supplier Declines Tow Coverage & ESC Supplied thru Navistar; \$1100 (USA) Maximum Benefit per Incident
40PLB	SRV CONTRACT, EXT VEH COVERAGE {Navistar} To 36-Month/50,000 Miles (80,000 km), Covers 100% Parts and Labor; Includes Body; Excludes Extending Warranty for Engine, Transmission, Perforation or Corrosion of Cab/Cowl Structure and Paint (2) GUARD SEATS, LOCATED IN FRONT. NATIONAL BRAND WITH ARMRESTS, 42 OZ. GRAY VINYL TWO 1" SLIDING DOOR PARTITION WALLS WITH PADLOCK PROVISIONS AND LEXAN SHIELDS 12" FROM FLOOR AND CEILING. PADLOCKS ACCESSIBLE FROM FRONT AND REAR OF PARTITION TOILET WITH OUTWARD SWINGOUT DOOR 28" L x 28" W x 45" TALL; STAINLESS STEEL (3) STEEL RUB RAILS OVER SIDE AND REAR WINDOWS. WILL NOT BE LOCATED OVER WINDOWS IN FRONT GUARD SECTION TAMPER-PROOF SCREWS ON ALL FLOOR TRIM, WHEEL POCKSTS AND WINDOW POST CAPS. RIVETS IN LIEU OF SCREWS IN ALL INTERIOR LOWER LINING TWO INDIVIDUAL SINGLE OCCUPANCY WIRE MESH CAGED COMPARTMENTS WITH DOOR AND INTERIOR WINDOW SCREENS THAT EXTENDS THE INSIDE LENGTH. INCLUDES INDIVIDUAL SEAT WITH PADDED INSERTS FOR EACH COMPARTMENT. STEEL DOME LAMP GUARDS OVER LED LIGHTS, MOUNTED WITH TAMPER-PROOF SCREWS. PAINTED TO MATCH INTERIOR EXTERIOR POLAR LOCKING HANDLE FRONT AND REAR WHELEN 4500 LIGHT BAR W/FOUR LED LIGHTS WITH CLEAR LENS. INCLUDES TWO BLUE ON LEFT SIDE AND TWO RED ON RIGHT SIDE FUNCTION FRONT GRILLE LIGHTS; WHELEN M9 LED FLASHING LIGHTS. SPLIT WHITE/RED SCENE LGITHS LOCATED ABOVE WINDOWS, 3 PER SIDE (FRONT MID REAR) WHELEN M4 CLEAR LIGHTS WEAPONS LOCKERS LH AND RH GUARD POSITIONS TO HOLD TWO RIFLES AND TWO HANDGUNS PER COMPARTMENT. FLOOR MOUNTED 136K BTU AIR CONDITIONING, FRONT/REAR/TWO MIDSHIP EVAPORATORS WITH CAGING FOG LAMPS DOT INSPECTION PRE DELIVERY INSPECTION SET GOVERN SPEED @ 75 MPH

Vehicle Specifications
2022 INTEGRATED RE C BUS (PC305)

October 19, 2020

Code

Description
WEIGHT SLIP

Financial Summary
2022 INTEGRATED RE C BUS (PC305)

October 19, 2020

(US DOLLAR)

Description

Price

Net Sales Price:

\$193,901.00

Please feel free to contact me regarding these specifications should your interests or needs change. I am confident you will be pleased with the quality and service of an IC Corporation vehicle.

Buy Board Fee Per PO Contract No. 549-17

\$800.00 (This fee is in addition to pricing noted above)

Approved by Seller:

Accepted by Purchaser:

Official Title and Date

Firm or Business Name

Authorized Signature

Authorized Signature and Date

This proposal is not binding upon the seller without Seller's Authorized Signature

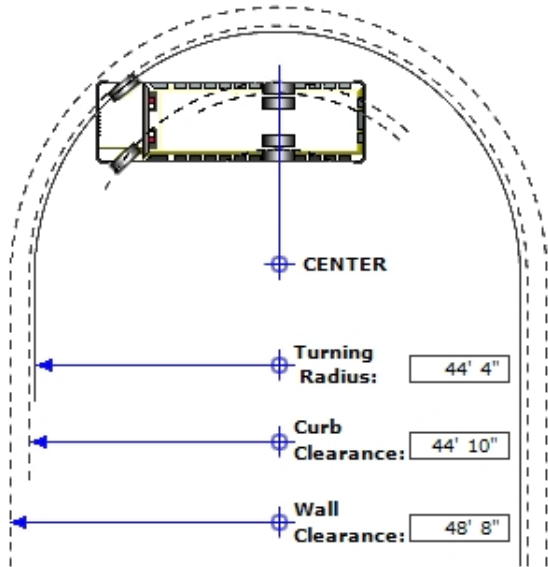
Official Title and Date

The TOPS FET calculation is an estimate for reference purposes only. The seller or retailer is responsible for calculating and reporting/paying appropriate FET to the IRS.

The limited warranties applicable to the vehicles described herein are Navistar, Inc.'s standard printed warranties which are incorporated herein by reference and to which you have been provided a copy and hereby agree to their terms and conditions.

Turning Radius Summary
2022 INTEGRATED RE C BUS (PC305)

October 19, 2020



Series: INGB
 Model: PC305
 Description: INTEGRATED RE C BUS
 Model Year: 2022

Calculation Factors

Wheelbase: 303
 Front Axle: 0002AST
 Description: AXLE, FRONT NON-DRIVING, {Meritor MFS-14-122A} I-Beam Type, 14,000-lb Capacity
 Front Wheel: 0027DUW
 Description: WHEELS, FRONT, {Accuride 51408} DISC; 22.5x8.25 Rims, Powder Coat Steel, 2-Hand Hole, 10-Stud, 285.75mm BC, Hub-Piloted, Flanged Nut, with Steel Hubs
 Front Tire: 07382135809
 Description: TIRES, 11R22.5 Load Range H AH37 (HANKOOK), 499 rev/mile, 75 MPH, All-Position
 Steering Gear: 0005PRJ
 Description: STEERING GEAR, {TRW (Ross) TAS65} Power

Turning Radius Statistics

General Information

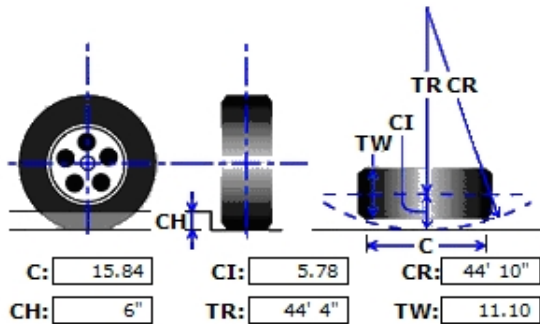
Inside Turn Angle: 42 Degrees
 Radial Overhang: 52

Axle Information

KingPin Inclination: 6.25 Degrees
 KingPin Center: 69

Turning Radius - Curb View

C - Curb Contact Length: 15.84
 CI - Curb Clearance Increment: 5.78
 CR - Curb Clearance Radius: 44'10"
 CH - Curb Height: 6"
 TR - Turning Radius: 44'4"
 TW - Tire Width: 11.10



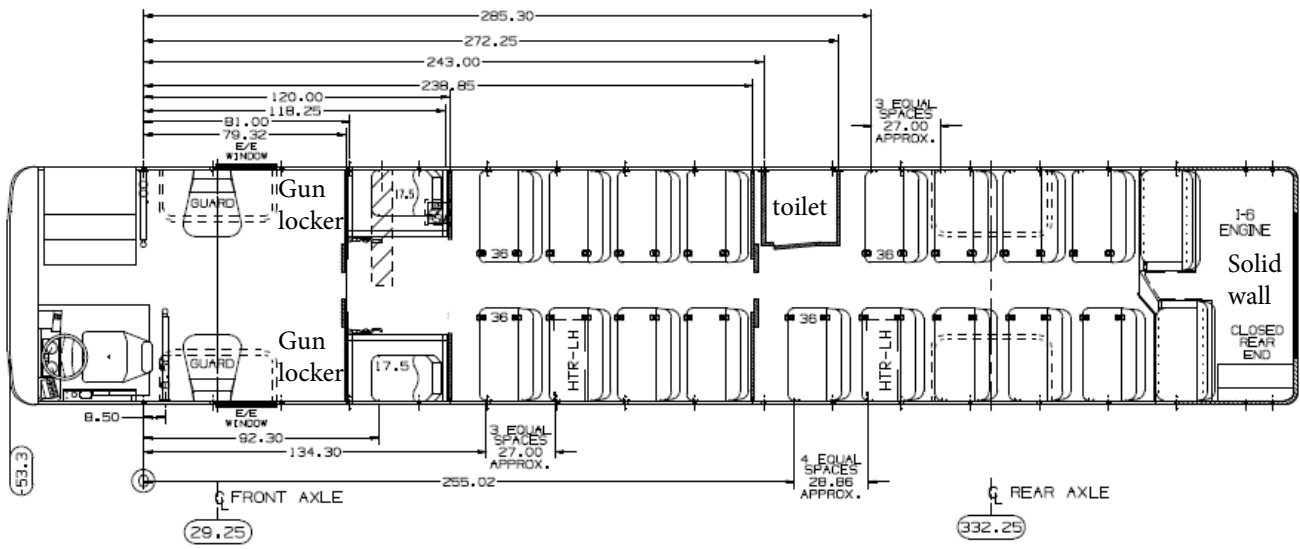
* All Measurements are in inches, unless otherwise specified.

This information is based on engineering information available at this time. Actual figures may vary. Navistar, Inc. cannot accept liability for consequences due to this variance.

BODY PLAN

WHEELBASE 303"

PC30500, 42 FT. 2 IN., CAP 42 INCLUDING 2 GUARDS, SEAT SIZE VARIES, SEAT SPACING VARIES, PRISON BUS



PURCHASED SEATS IN THIS UNIT ARE:
FREEDMAN FEATHERWEIGHT

50000/49000

REVISE ONLY ON **LOGIC SYSTEM**

INTERNATIONAL TRUCK AND ENGINE CORPORATION		INTERNATIONAL CONFIDENTIAL PROPRIETARY	
RELATIONS	000	APPROX. MASS WEIGHT	1000
LINEAR MEASURE	INCH	APPROX. MASS WEIGHT	POUNDS PART
UNLESS SPECIFIED FOR RELEASE	INCH	FINISH PART	
ONE PLACE	1.00	TWO PLACE	0.01
TWO PLACE	0.01	THREE PLACE	0.001
THREE PLACE	0.001	FOUR PLACE	0.0001
FOUR PLACE	0.0001		
PART NO.		BODY PLAN PC30500	
REV. NO.		E 50	
DATE		DATE	
BY		BY	
CHECKED		CHECKED	
APPROVED		APPROVED	
DATE		DATE	
REVISED BY		REVISED BY	
DATE		DATE	
REVISED BY		REVISED BY	
DATE		DATE	

THIS DOCUMENT IS IN ACCORDANCE WITH THE PROVISIONS OF THE NATIONAL ARCHIVE ACT, 1950, AND THE NATIONAL ARCHIVE ACT, 1980, WHICH REQUIRE THE PRESERVATION OF THIS DOCUMENT IN ACCORDANCE WITH THE PROVISIONS OF THE NATIONAL ARCHIVE ACT, 1950, AND THE NATIONAL ARCHIVE ACT, 1980.

LHORN-1919



OBTAINING SERVICE

Return this vehicle to any IC Bus Dealer authorized to service this model vehicle and engine.

DISCLAIMER

NO WARRANTIES ARE GIVEN BEYOND THOSE DESCRIBED HEREIN. THIS WARRANTY IS IN LIEU OF ALL OTHER WARRANTIES, EXPRESSED OR IMPLIED. THE COMPANY SPECIFICALLY DISCLAIMS WARRANTIES OF MERCHANTABILITY AND FITNESS FOR A PARTICULAR PURPOSE, ALL OTHER REPRESENTATIONS TO THE USER/PURCHASER, AND ALL OTHER OBLIGATIONS OR LIABILITIES. THE COMPANY FURTHER EXCLUDES LIABILITY FOR INCIDENTAL AND CONSEQUENTIAL DAMAGES, ON THE PART OF THE COMPANY OR SELLER. No person is authorized to give any other warranties or to assume any liabilities on the Company's behalf unless made or assumed in writing by the Company; and no other person is authorized to give any warranties or to assume any liabilities on the seller's behalf unless made or assumed in writing by the seller.

Remedies Under State or Provincial Law: Any suit for breach of this Limited Warranty must be initiated within one year after breach. Some States and Provinces do not allow the exclusion or limitation of incidental or consequential damages, so the above limitation or exclusion may not apply to the owner. This warranty gives the owner specific legal rights, and he may also have other legal rights which may vary by state or province.

RECORD OF OWNERSHIP

Upon receipt of new vehicle by original owner, complete the following:
I have read this Warranty Brochure and fully understand the warranty coverage, and the limitations and exclusions. I acknowledge that I have received a copy of the Owner's Limited Warranty and I accept the terms described herein.

_____	_____	_____	_____
Customer Signature	Date		
_____	_____	_____	_____
Owner's Address	City	State/Prov	Postal Code
_____	_____	_____	_____
Bus Model	Vehicle Identification Number		
_____	_____		
Engine Number	Engine Serial Number		
_____	_____		
Date Delivered to User (DTU)	Odometer Reading at Delivery		

IMPORTANT: The information contained in this Warranty Policy explains the coverage provided on your new IC Bus™ brand vehicle. This policy should be kept in the vehicle for presentation to the Dealer when you request warranty services.

Any provisions of this Limited Warranty that are prohibited or not enforceable in any jurisdiction shall be, as to such jurisdiction, ineffective to the extent of such prohibition or non-enforceability without invalidating the remaining provisions hereof, and any such prohibition or non-enforceability in any jurisdiction shall not invalidate or render non-enforceable any such provisions in any other jurisdiction.

All claims under this Limited Warranty must be submitted in writing to an authorized IC Bus dealer within the warranty period as stated herein. If you have questions regarding this Limited Warranty, contact IC Bus, LLC dealer. To locate nearest dealer, visit the IC Bus website www.ICBus.com.

EFFECTIVE WITH VEHICLES BUILT JANUARY 02, 2015 OR LATER

LIMITED WARRANTY FOR COMMERCIAL BUS MODELS

CE Series (PC105), RE Series (PC305), BE Series (PC405)

IC Bus, LLC warrants to the original purchaser (the "Purchaser") that IC Bus, brand LLC buses and component parts thereof are, at the time of purchase, free from defects in material and workmanship and will remain free from such defects under normal use after delivery to the Purchaser as provided herein. Warranty shall begin at the time of delivery unless otherwise approved by IC Bus, LLC. The delivery limitations as set forth herein shall run from the date of delivery to the Purchaser in the United States of America and Canada. The remedy available under this Limited Warranty is non-cumulative in nature and is limited to repair or replacement at IC Bus, LLC option of the bus or component parts thereof that are returned to locations approved by IC Bus, LLC transportation charges prepaid, and which IC Bus, LLC examination disclosed to its satisfaction to be defective. IC Bus, LLC, at its option, will repair or replace any part of this vehicle which proves defective in material and/or workmanship in normal use and service, with new or ReNEWed parts. Exceptions are listed below under *What Is Not Covered*.

This warranty is automatically transferred to subsequent owners at no charge. Visit your local IC Bus Dealer for name and address change information.

COMPONENT COVERAGE

The components described below are given additional warranty coverage of variable time periods and distance traveled limitations, as shown in the *Warranty Coverage Schedule*.

1. Frame Rails and Crossmembers
2. Body/Cowl Structure.
 - Body Structure defined as the steel body frame (which includes the roof, metal floor, sides and front and rear sections only).
 - As to items not considered Body Structure, but are not limited to, are the following: doors, corner moldings, inner ABS panels, interior wall, plywood, floor covering, windows, and trim moldings.
3. The Body/Cowl is warranted against perforation due to corrosion, except for perforation caused by industrial chemicals and/or corrosion caused by use in a corrosive industrial environment.
4. Navistar Diesel Engine Coverage Includes: Engine block, cylinder heads, internally lubricated components fuel pump, high pressure pump, turbocharger, water pump, air compressor, injectors/nozzles; electronic engine modules, engine relays, engine sensors and regulators required for electronic engine operation, and certain aftertreatment components. Excluding: attaching accessories (e.g., fan clutch, alternator, starter, etc.), and externally mounted electrical and filtration systems.
5. Power Solutions International 8.8L Propane Engine Coverage includes: engine block, cylinder heads, internally lubricated components, water pump, air compressor, injectors/nozzles, fuel system components, electronic engine modules, engine relays, engine sensors and regulators required for electronic engine operation, exhaust catalyst. Excluding: attaching accessories (e.g. fan clutch, alternator, starter
6. Spicer front & rear axles and propeller shaft, when used with Allison transmission; excluding brakes, wheel ends axle shafts, controls & attachments.

THE PROVISIONS HEREOF CONSTITUTE THE EXCLUSIVE AND COMPLETE WARRANTY BY IC BUS, LLC ON IC BUS™ BRAND BUSES AND COMPONENT PARTS THEREOF MANUFACTURED BY IT, OR APPROVED BUS BODY CONTRACT MANUFACTURERS AND IS IN LIEU OF ALL OTHER OBLIGATIONS OR LIABILITIES OF IC BUS, LLC WHETHER EXPRESS OR IMPLIED.

Note: The customer has 365 days and up to a maximum of 100,000 miles (160,000 km) from DTU (delivery to end user) to purchase an extended warranty on the unit. For extended warranty purchases between 181 and 365 days from DTU and <100,000 miles (160,000 km) an additional fee will be assessed. See your local IC Bus dealer for details.



Items Covered	Months	Miles/Km (000)
BASIC VEHICLE COVERAGE		
Basic Vehicle Warranty	12	Unlimited
Towing (Vehicles with Navistar built engine failures only)	24	Unlimited
Towing (Vehicles with Power Solutions International, Inc. 8.8L Propane or Gasoline engine failures only)	24	Unlimited
COMPONENTS		
Frame Rails and Crossmembers	60	100/160
Body/Cowl Structure (Roof, Metal Floor, Sides and Front and Rear Sections)	60	100/160
Body/Cowl Perforation Corrosion	60	100/160
Bumper Corrosion and Paint Delamination	36	60/100
Body/Cowl/Hood Paint Delamination	60	100/160
Brightwork, Chassis Paint and Corrosion	6	Unlimited
IC Bus, LLC Factory Installed Air-Conditioning (IC Air)	30	150/240
SEATS***IC Bus Manufactured Seats Only		
Foam	48	50/80
Upholstery	24	24/40
Seat Frames & Barriers	60	100/160
ENGINE*		
MaxxFace® 7 Engine	24	Unlimited
MaxxFace® DT Engine Standard Torque	24	Unlimited
MaxxFace® DT Engine High Torque	24	Unlimited
Power Solutions International, Inc. 8.8L Propane Engine	24	Unlimited
Power Solutions International, Inc. 8.8L Gasoline Engine	24	Unlimited
DRIVETRAIN**		
Eaton/Dana/Spicer-3 Part Drivetrain*** (Front & Rear Axles, Propeller Shaft, When Used With Allison Transmission Only)	48	50/80
Meritor Axles	48	75/120

WHAT IS NOT COVERED
AFTER THE FIRST 90 DAYS FROM DELIVERY TO USER (DTU):

- Correction of loose fasteners, squeaks, rattles and unusual noises.
- Towing (vehicles with non-engine failures only).
- Adjustments (e.g., headlights, brake adjustments, steering system adjustments, coolant levels, doors, mirrors, camera systems).

COMPONENTS / ITEMS:

- Warranted by their respective manufacturers (e.g., non Navistar brand engines, tires & tubes, Allison Transmissions, hybrid electric, lubricants, etc.)
- Bodies, equipment and accessories installed by other than authorized IC Bus employees at IC Bus manufacturing plants.
- Front and rear axle alignment.
- Front & Rear axle coverage excludes brakes, wheel ends, axle shafts, controls & attachments

REPAIRS:

- Maintenance-related items/repairs or those as a result of normal wear and tear, including tune-ups, brake/clutch lining, windshield wiper blades, tire balancing, lubrication and other similar procedures/parts required to keep vehicle in good working condition.
- To any part of the vehicle subjected to misuse, negligence, improper maintenance, improper operation, or which is the result of an accident.
- Fade, runs, mismatch or damage to paint, trim items, upholstery, chrome, polished surfaces, etc., resulting from environmental causes, improper polishes, cleaners or washing solutions, or chemical and industrial fallout.
- In which power train, propeller shaft and suspension sales guidelines (specifications) are not strictly adhered to by all owners and operators of this vehicle.

OTHER:

- Vehicles sold and/or operated outside the United States and Canada.
- Vehicles/components that have had unauthorized alterations or modifications.
- Vehicles on which the odometer reading has been altered.
- Loss of time or use of the vehicle, loss of profits, inconvenience, or other consequential or incidental damages or expenses.
- Replacement of defective parts with parts other than those provided by IC Bus, LLC.

This warranty does not apply, or include coverage for defects attributable to the following:

- a. Damage resulting from: (i) misuse, abuse, accident, neglect, negligence, vandalism, fire, riot, war, or Acts of God;
- b. (ii) Structural or other modifications or alteration without prior express written authorization by IC Bus, LLC; (iii) Repair or attempted repair by unauthorized persons; (iv) Replacement of original components with substitutes without prior express written authorization by IC Bus, LLC; (v) Failure to perform routine preventative maintenance as customarily accepted within the industry or failure to provide proof of such preventative maintenance having been performed; (vi) Exposure to corrosives, contaminants, chemicals, salt, irradiation or atmospheric or environmental conditions; (vii) Usage or loading in excess of recommended capacities or in non-standard applications, including off-road.
- c. Fading or discoloration of paint, lettering or decals.
- d. Effects of aftermarket installation and aftermarket parts installed by the dealer or customer.

***Emission Coverage:** Refer to engine operator's manual for emission coverage.
****Drivetrain:**

- Allison Transmissions products or Transynd lubricants and fluids are not covered under this warranty. For warranty information, see: www.allisontransmission.com/publications/
- For specific Eaton/Fuller Warranty coverage, see supplier information: www.roadrangerwarranty.com
- For extended component warranty: www.roadranger.com/Roadranger/warranty/Extended_Warranty/index.htm

*****For non IC Bus Manufactured seats,** contract the seat supplier for their warranty coverage. For Enova charge sustaining and charge depleting standard warranty go to: <http://enovasystems.com/customer-support.html>

