



**Hidalgo County
Planning
Department**

T.J. Arredondo, CFM
Director of Planning

Main Office

1304 S. 25th Street
Edinburg, Texas 78542
Phone (956) 318-2840
Fax (956) 318-2844

Engineering Projects Office

902 N. Doolittle Road
Edinburg, Texas 78542
Phone (956) 292-7080
Fax (956) 292-7089

Precinct No. 1 Substation

1902 Joe Stephens Ave.
Weslaco, Texas 78596
Phone (956) 968-4734
Fax (956) 973-7850

Precinct No. 3 Substation

2401 N. Moorefield Road
Mission, Texas 78572
Phone (956) 205-7045
Fax (956) 205-7049

PIPELINE AND UTILITY PERMIT APPLICATION PACKET

THE STATE OF TEXAS

COUNTY OF HIDALGO

PRECINCT 2

**APPLICATION AND AGREEMENT FOR PIPELINE OR
UTILITY PERMIT**

Date: 09/24/2020

FIBERLIGHT, LLC (hereinafter referred to as "Applicant") does hereby make application to the Hidalgo County through the Hidalgo County Planning Department (hereinafter referred to as "HCPD") to construct, maintain and repair pipelines or utilities across the easements, right-of-ways, property or property interest as described below.

Information required:

1. Name, Address and Phone number of Applicant:

Jimmy Bartosh - 210-861-9785 jimmy.bartosh@fiberlight.com

4360 Beltway Place Arlington Tx. 76018

2. Name, Address and Phone number of company or agency owning Pipeline or Utility (please indicate if same as Applicant):

SAME AS APPLICANT

3. Name, Address and Phone number of operator of Pipeline or Utility (please indicate if same as Applicant):

SAME AS APPLICANT

4. Name, Address and Phone number of contractor to install Pipeline or Utility:

Rockport Const. David Nixon 972-762-5176

david@rockportllc.net 1 Sugar Creek Center Blvd, STE 1000 Sugarland Tx 77478-3357

Visit Hidalgo County Planning Department on the web at www.co.hidalgo.tx.us



**Hidalgo County
Planning
Department**

T.J. Arredondo, CFM
Director of Planning

Main Office
1304 S. 25th Street
Edinburg, Texas 78542
Phone (956) 318-2840
Fax (956) 318-2844

Engineering Projects Office
902 N. Doolittle Road
Edinburg, Texas 78542
Phone (956) 292-7080
Fax (956) 292-7089

Precinct No. 1 Substation
1902 Joe Stephens Ave.
Weslaco, Texas 78596
Phone (956) 968-4734
Fax (956) 973-7850

Precinct No. 3 Substation
2401 N. Moorefield Road
Mission, Texas 78572
Phone (956) 205-7045
Fax (956) 205-7049

PIPELINE AND UTILITY PERMIT APPLICATION PACKET

5. Is this a common carrier pipeline or utility? If yes, please submit the Applicant's Texas Railroad Commission Form "T-4" or similar form designating the facility:

NO

6. Does Applicant have the Power of Eminent Domain?

NO

7. Will the product be carried for hire or by the owner of the goods?

NA

8. Name and Legal description of property owner requesting utility services if applicable:

NA

9. Type of utility work within county road right-of-way:

Bore Crossing Line Extension Along R.O.W. Other _____

10. Where is the origin of the line?

Starts at the southwest corner of E Dicker Dr. and Cesar Chavez Rd.

11. Where is the destination of the line?

*SEE ATTACHED



**Hidalgo County
Planning
Department**

T.J. Arredondo, CFM
Director of Planning

Main Office

1304 S. 25th Street
Edinburg, Texas 78542
Phone (956) 318-2840
Fax (956) 318-2844

Engineering Projects Office

902 N. Doolittle Road
Edinburg, Texas 78542
Phone (956) 292-7080
Fax (956) 292-7089

Precinct No. 1 Substation

1902 Joe Stephens Ave.
Weslaco, Texas 78596
Phone (956) 968-4734
Fax (956) 973-7850

Precinct No. 3 Substation

2401 N. Moorefield Road
Mission, Texas 78572
Phone (956) 205-7045
Fax (956) 205-7049

PIPELINE AND UTILITY PERMIT APPLICATION PACKET

12. Utility Crossing Coordinate X: NA Y: NA
(NAD 83 Texas South FIPS 4205 feet)
13. Number and size of lines:
(2) 1 1/4" HDPE SDR-11 Conduits
14. Pressure (each line):
NA
15. Content (each line):
NA
16. Estimated date of installation of Pipeline or Utility:
As soon as permit is approved by Hidalgo County Commissioner's Court



Hidalgo County Planning Department

T.J. Arredondo, CFM
Director of Planning

Main Office

1304 S. 25th Street
Edinburg, Texas 78542
Phone (956) 318-2840
Fax (956) 318-2844

Engineering Projects Office

902 N. Doolittle Road
Edinburg, Texas 78542
Phone (956) 292-7080
Fax (956) 292-7089

Precinct No. 1 Substation

1902 Joe Stephens Ave.
Weslaco, Texas 78596
Phone (956) 968-4734
Fax (956) 973-7850

Precinct No. 3 Substation

2401 N. Moorefield Road
Mission, Texas 78572
Phone (956) 205-7045
Fax (956) 205-7049

PIPELINE AND UTILITY PERMIT APPLICATION PACKET

If requested permit is granted by HCPD, Applicant, in consideration thereof, agrees and binds itself as follows:

1. All pipelines or utilities herein will be horizontally placed within the right-of-way as determined by HCPD and at a minimum depth of five (5) feet below natural ground. Depth, horizontal, and vertical location shall be confirmed by HCPD Inspectors.
2. Location map, profile, and plans concerning the proposed pipeline or utility crossing will furnished with this application.
3. HCPD will be notified in writing ten days prior to the beginning date of construction under this permit.
4. Applicant will bear the entire expense of all future relocations of any pipelines or utilities should such relocation, at the sole discretion of the Hidalgo County Commissioners Court, be necessary for improvements, alteration, or maintenance of the Hidalgo County's easement or property of interest.
5. Applicant will notify the HCPD at least 48 hours prior to covering work and or completion of its work and removal of its equipment from the job site to permit HCPD to make an inspection.
6. Upon notification by the HCPD, the Applicant will promptly repair or rectify any deficiency or condition caused by the Applicant's operations or installations under this permit. Applicant will leave easement in as near the same condition or better, in the HCPD's sole judgment, as it existed prior to the commencement of the operations under this permit.
7. Hidalgo County shall not be liable or responsible for, and shall be saved and held harmless by Applicant, and further shall be indemnified by Applicant, from and against any and all suits, actions, losses, damages, claims, or liability of any character, type, or description, including all expenses of litigation, court costs, attorney's fees, and engineering fees for injury or death to any person, or injury to any property, received or sustained by any person or persons or property, arising out of, or occasioned by, directly or indirectly, the performance of Applicant under this agreement, including claims and damages arising in part from the negligence of the Hidalgo County.



Hidalgo County Planning Department

T.J. Arredondo, CFM
Director of Planning

Main Office

1304 S. 25th Street
Edinburg, Texas 78542
Phone (956) 318-2840
Fax (956) 318-2844

Engineering Projects Office

902 N. Doolittle Road
Edinburg, Texas 78542
Phone (956) 292-7080
Fax (956) 292-7089

Precinct No. 1 Substation

1902 Joe Stephens Ave.
Weslaco, Texas 78596
Phone (956) 968-4734
Fax (956) 973-7850

Precinct No. 3 Substation

2401 N. Moorefield Road
Mission, Texas 78572
Phone (956) 205-7045
Fax (956) 205-7049

PIPELINE AND UTILITY PERMIT APPLICATION PACKET

It is the expressed intent of the parties to this agreement that the indemnity provided for in this section is extended by Applicant to indemnify and protect Hidalgo County from the consequences of Hidalgo County's own negligence, whether that negligence is the sole or contributory cause of the resultant injury death, or damage.

Applicant further agrees to defend, at its own expense, with attorneys acceptable to Hidalgo County and on behalf of the Hidalgo County, and in the name of Hidalgo County, any claim or litigation brought against the Hidalgo County in connection with any such injury, death or damage.

Before construction is begun on such pipeline or utility crossings, Applicant will furnish to the HCPD a certificate of insurance (or other security approved by the HCPD) payable to Hidalgo County and protecting Hidalgo County (as an additional named insured) against any claims for personal injuries or damages to property resulting from the operations of Applicant, its agents, servants, employees, and contractors under this permit. Insurance is to be supplied in accordance with the attached Schedule A.

8. Hidalgo County makes no warranties, expressed or implied, in the granting of this permit; nor does Hidalgo County purport to grant any property interest or exclusive privileges whatsoever by granting such permit. It is specifically understood that Hidalgo County is not the agent for, nor does it act for, the fee owners or any persons or entities having any right, or title to possession of the land upon which the Hidalgo County's easement or other property interest is located. Furthermore, in granting this permit Hidalgo County makes no representation or warranty that it has any property interest, including, but not limited to, an easement or right of way, in the land

upon which Applicant constructs, maintains, repairs, or modifies the pipelines or utilities, made the subject of this application, nor does Hidalgo County make any representation or warranty as to the validity, quality or extent of such property interest, if any. Applicant acknowledges its understanding that Hidalgo County in granting this permit, does not convey or grant to Applicant any rights, title or interest for which is has no legal authority to grant or convey.

9. Applicant binds itself to comply with all federal, state, and local laws or regulations and will obtain all necessary permits from all local and federal agencies required by law before installation or construction is begun.



Hidalgo County Planning Department

T.J. Arredondo, CFM
Director of Planning

Main Office

1304 S. 25th Street
Edinburg, Texas 78542
Phone (956) 318-2840
Fax (956) 318-2844

Engineering Projects Office

902 N. Doolittle Road
Edinburg, Texas 78542
Phone (956) 292-7080
Fax (956) 292-7089

Precinct No. 1 Substation

1902 Joe Stephens Ave.
Weslaco, Texas 78596
Phone (956) 968-4734
Fax (956) 973-7850

Precinct No. 3 Substation

2401 N. Moorefield Road
Mission, Texas 78572
Phone (956) 205-7045
Fax (956) 205-7049

PIPELINE AND UTILITY PERMIT APPLICATION PACKET

10. Applicant will install its pipelines and utilities in a manner and location as shown in the plans and specifications filed with HCPD in support of this application for permit. Hidalgo County Planning Department's representative may at any time make such inspection as such engineer or other representation may deem necessary to assure that the construction of the pipeline or utilities is in accordance with the plans and specifications submitted, and said engineer or representative shall have the right to temporarily suspend Applicant's work if necessary, while such inspection is being made. Should Applicant not install the pipelines or utilities in accordance with the terms and conditions of this permit, Applicant agrees that the Hidalgo County shall have the right to require, at Applicant's expense, the removal of the pipelines and utilities and its replacement in conformance to said plans and specifications and conditions of this permit. Hidalgo County may revoke this permit and suspend all work hereunder if it is determined by Hidalgo County that the pipelines or utilities are not being installed in accordance with such plans and specifications and conditions of this permit. The suspension or revocation of this permit shall not be a basis for a claim for damages against Hidalgo County.

11. Except in emergency situations where it is necessary to protect life and property, Applicant will not make any change, modification, or alteration in or to the pipelines or utilities without first securing a new or amended permit from Hidalgo County prior to the making of any such change. Applicant will maintain the pipelines or utilities hereby authorized in good and safe condition, and in accordance with plans, specifications, and this permit.

12. Applicant agrees to pay HCPD a permit fee to cover administrative costs in the amount of **\$500.00**, plus a reimbursement to HCPD for any necessary engineering fees which may be incurred for the study and processing of the Application. This fee will permit a single pipeline or utility to be within County right-of-way. Applicant further agrees to pay an additional fee of **\$500.00** for each additional line included in permit application at the same location; however, more than one location may be included in a single application.

Requests to lay additional line or lines, not included in an initial permit application, must be made by separate application, with new permit fees paid accordingly and support data provided.



Hidalgo County Planning Department

T.J. Arredondo, CFM
Director of Planning

Main Office

1304 S. 25th Street
Edinburg, Texas 78542
Phone (956) 318-2840
Fax (956) 318-2844

Engineering Projects Office

902 N. Doolittle Road
Edinburg, Texas 78542
Phone (956) 292-7080
Fax (956) 292-7089

Precinct No. 1 Substation

1902 Joe Stephens Ave.
Weslaco, Texas 78596
Phone (956) 968-4734
Fax (956) 973-7850

Precinct No. 3 Substation

2401 N. Moorefield Road
Mission, Texas 78572
Phone (956) 205-7045
Fax (956) 205-7049

PIPELINE AND UTILITY PERMIT APPLICATION PACKET

Permit fees may be waived where Applicant is a state, county, municipality, or a special political subdivision.

13. The Applicant is allowed one hundred twenty days (120) from the granting of the permit to start construction of the pipelines or utilities crossings. Once started, the Applicant is allowed ninety (90) days to complete all work under such permit. All construction must be completed within two hundred ten (210) days from the date of issuance of permit. Upon application, extension of the time periods set forth in this paragraph may be granted by the Hidalgo County Commissioners Court. Such applications for extension must be received by HCPD at least thirty days before the expiration of the two hundred ten (210) days period. A new permit fee, in accordance with Paragraph 12 hereof, will be charged for each extension granted.

Construction of any pipeline or utility crossing will not begin until written approval has been given by HCPD.

14. All provisions of the Pipeline and Utility Permit Administration Policy of Hidalgo County, if any, and all amendments thereto, are hereby incorporated herein as part of the terms and conditions of this permit for all purposes.
15. Applicant warrants and represents that it has secured from all fee owners of the involved property an easement or other property rights to construct, repair or modify the pipeline or utility in the manner set forth herein.
16. This Pipeline and Utility Permit if granted by Hidalgo County is subject to any and all other requirements, specifications and conditions listed in Exhibit A attached hereto.
17. Hidalgo County requires all coordinates of all utility crossings. Horizontal datum to be in NAD 83 State Plane Texas South 4205 feet and vertical datum in NAVD 88 Geoid 12a.



**Hidalgo County
Planning
Department**

T.J. Arredondo, CFM
Director of Planning

Main Office
1304 S. 25th Street
Edinburg, Texas 78542
Phone (956) 318-2840
Fax (956) 318-2844

Engineering Projects Office
902 N. Doolittle Road
Edinburg, Texas 78542
Phone (956) 292-7080
Fax (956) 292-7089

Precinct No. 1 Substation
1902 Joe Stephens Ave.
Weslaco, Texas 78596
Phone (956) 968-4734
Fax (956) 973-7850

Precinct No. 3 Substation
2401 N. Moorefield Road
Mission, Texas 78572
Phone (956) 205-7045
Fax (956) 205-7049

PIPELINE AND UTILITY PERMIT APPLICATION PACKET

18. This permit constitutes the entire agreement between the parties with regard to the subject matter hereof, and all prior agreements, representations, and negotiations between the parties regarding the subject matter are hereby superseded. This permit shall not be altered or amended except by an agreement in writing executed by the parties hereto.

19. Applicant warrants and represents that its undersigned representative has full authority to bind Applicant to the terms and conditions of the foregoing Application and Agreement for Pipeline or Utility Permit.

DATED this 24 day of November, 2020.

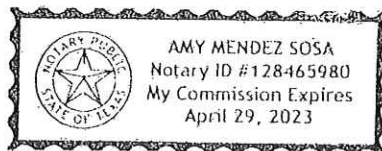
Jimmy Bartosh
(Name of Applicant – Printed or Typed)

By: Jimmy Bartosh
Signature

Title: P.M.

STATE OF TEXAS
COUNTY OF HIDALGO

SUBSCRIBED AND SWORN TO before me the Applicant,
Jimmy Bartosh, on this 24th day of November, 2020,
to which witness my hand and seal of office.



Amy Sosa
Notary Public for the State of Texas

My Commission Expires: April 29, 2023



**Hidalgo County
Planning
Department**

T.J. Arredondo, CFM
Director of Planning

Main Office
1304 S. 25th Street
Edinburg, Texas 78542
Phone (956) 318-2840
Fax (956) 318-2844

Engineering Projects Office
902 N. Doolittle Road
Edinburg, Texas 78542
Phone (956) 292-7080
Fax (956) 292-7089

Precinct No. 1 Substation
1902 Joe Stephens Ave.
Weslaco, Texas 78596
Phone (956) 968-4734
Fax (956) 973-7850

Precinct No. 3 Substation
2401 N. Moorefield Road
Mission, Texas 78572
Phone (956) 205-7045
Fax (956) 205-7049

PIPELINE AND UTILITY PERMIT APPLICATION PACKET

**APPROVAL OF APPLICATION BY
HIDALGO COUNTY PLANNING DEPARTMENT**

Came on for consideration this _____ day of _____,
20____. The above and foregoing Application for Pipeline and Utility
Permit, and after consideration of the same by the Hidalgo County
Commissioners Court, said Application and Agreement for Pipeline or
Utility Permit is hereby APPROVED.

HIDALGO COUNTY:

Richard F. Cortez, County Judge



**Hidalgo County
Planning
Department**

T.J. Arredondo, CFM
Director of Planning

Main Office

1304 S. 25th Street
Edinburg, Texas 78542
Phone (956) 318-2840
Fax (956) 318-2844

Engineering Projects Office

902 N. Doolittle Road
Edinburg, Texas 78542
Phone (956) 292-7080
Fax (956) 292-7089

Precinct No. 1 Substation

1902 Joe Stephens Ave.
Weslaco, Texas 78596
Phone (956) 968-4734
Fax (956) 973-7850

Precinct No. 3 Substation

2401 N. Moorefield Road
Mission, Texas 78572
Phone (956) 205-7045
Fax (956) 205-7049

PIPELINE AND UTILITY PERMIT APPLICATION PACKET

EXHIBIT A

(Please insert description of project location and supporting documents for proposed utility work)



PROJECT: # RM19-961
SEGMENT #CC01076A

PERMIT
7/17/20

FiberLight
FIBERLIGHT LLC
4360 BELTWAY PL
ARLINGTON, TX 76018



DATE: 08/27/19 BY: JLB
DATE: 10/26/19 BY: JLB

REVISIONS

DATE	DESCRIPTION	BY
08/27/19	ISSUE MAP	JLB
10/26/19	ISSUE	JLB

SCALE
B SIZE DWG: NTS
D SIZE DWG: NTS
DATE:
APPROVED:
SHEET:
DWG

LEGEND

LEGEND

	PROPOSED FEATURE DIMENSION		RAILROAD
	PROPOSED FEATURE TEXT		GUARDRAIL
	PROPOSED CONDUIT ROUTE		FENCE LINE
	PROPOSED BORE		TREES/TREE LINE
	PROPOSED AERIAL ROUTE		LANDSCAPING/BRUSH LINE
	TRENCH		DITCH LINE
	DIRECTIONAL BORE		WATER FEATURE
	EXISTING FEATURE DIMENSION		WETLANDS FEATURE
	EXISTING FEATURE TEXT		UTILITY FEATURE TEXT
	EDGE OF PAVEMENT		UNDERGROUND WATER LINE
	CURB & GUTTER		UNDERGROUND GAS LINE
	SIDEWALK		UNDERGROUND SANITARY SEWER LINE
	SOLID WHITE LINE/POC LINE		UNDERGROUND STORM DRAIN LINE
	CENTERLINE		UNDERGROUND POWER LINE
	ROADNAME		UNDERGROUND TELEPHONE LINE
	RIGHT OF WAY LINE		UNDERGROUND COMMUNICATION LINE
	PROPERTY LINE		OVERHEAD UTILITY LINE
	COUNTY LINE		MISC UTILITY LINE
	CONCRETE FEATURE		TOP OF SLOPE
	BUILDING FEATURE		TOE OF SLOPE

	HANDHOLE (OTHERS)		TRAFFIC SIGNAL POLE & STREET LIGHT
	MANHOLE		SIGN
	DOUBLE HEADED MANHOLE		TREE
	MANHOLE (ALL-N-ONE)		WATER VALVES
	WATER METER		GAS VALVES
	METERS		VALVES
	MARKER		GUIDEWIRE
	MARKER (OTHERS)		HANDHOLE
	MARKER (RIGHT OF WAY)		UTILITY TOWER
	PEDESTAL		UTILITY BOX
	POLE		PARKING METER
	PROPOSED FBL HANDHOLE		VENT
	PROPOSED DBL HANDHOLE		TEST PIT
	SLACK SPAN		MAILBOX
	ANCHOR		MAILBOX ADDRESS
	CLEANOUT W/GROUND RODS		ROAD MARKINGS (ALL)
	FIRE HYDRANT		RAILROAD CROSSING
	GROUND RODS		HC RAMP
	PROP. HANDHOLE		YARD INLET
			CURB INLET
			CULVERT
			CELL TOWER
			CELL TOWER #

DATE: 08/27/19 BY: JLB
DATE: 10/26/19 BY: JLB

SCALE
B SIZE DWG: NTS
D SIZE DWG: NTS
DATE:
APPROVED:
SHEET:
DWG

LEGEND



PROJECT: # RM19-961
 SEGMENT # C001076A

PERMIT
 7/17/20

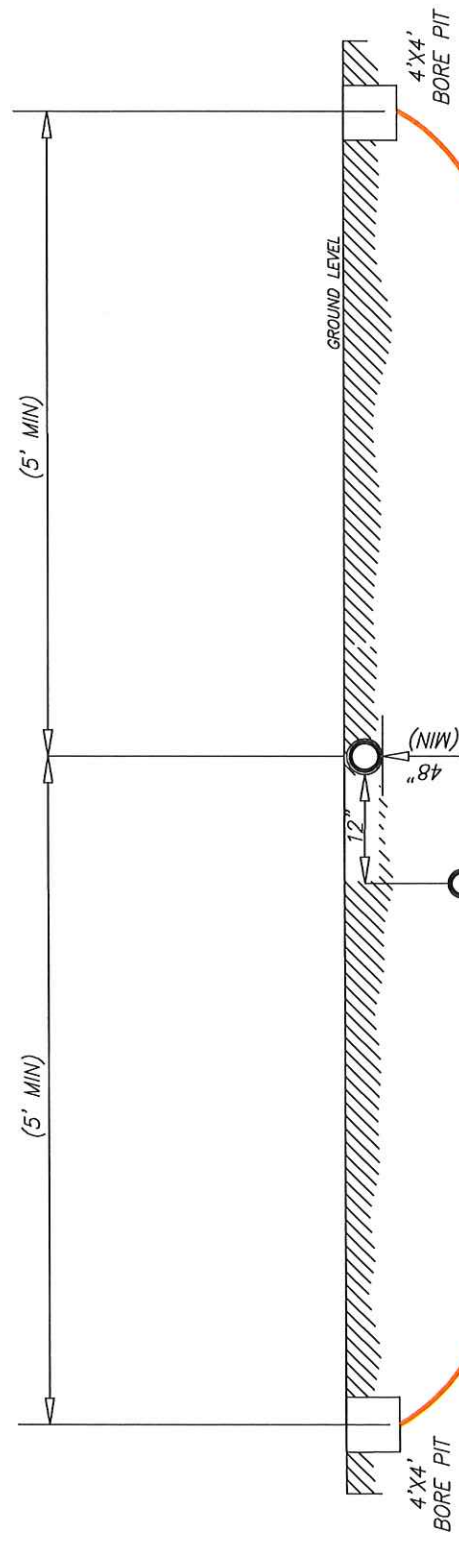


FIBERLIGHT LLC
 4360 BELTWAY PL
 ARLINGTON, TX 76018



TEXAS EXCAVATION
 SAFETY SYSTEM

TYPICAL CULVERT CROSSING BORE DETAIL



PARALLEL BORES
 WILL MAINTAIN
 MIN 12" SEPARATION

CABLE/CONDUIT
 MIN 48" BORE UNDERSIDE
 OF CULVERT

REVISIONS		BY
DATE	DESCRIPTION	
06/27/19	BASE MAP	LJ
10/06/19	DESIGN	ES
-	-	-
-	-	-
-	-	-
-	-	-
-	-	-
-	-	-

NOTE: ALL DIMENSIONS UNLESS OTHERWISE SPECIFIED.
 DIMENSIONS ARE TO FACE UNLESS OTHERWISE SPECIFIED.
 DIMENSIONS ARE TO FACE UNLESS OTHERWISE SPECIFIED.
 DIMENSIONS ARE TO FACE UNLESS OTHERWISE SPECIFIED.

SCALE

B SIZE DWG: NTS
 D SIZE DWG: NTS

DATE:

APPROVED:

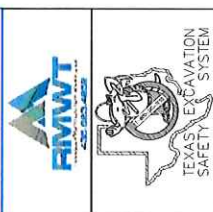
SHEET:

TYP CULV BORE DET



PROJECT: # RM19-961
 SEGMENT # C001076A
PERMIT
 7/17/20

FiberLight
 FIBERLIGHT LLC
 4360 BELTWAY PL
 ARLINGTON, TX 76018

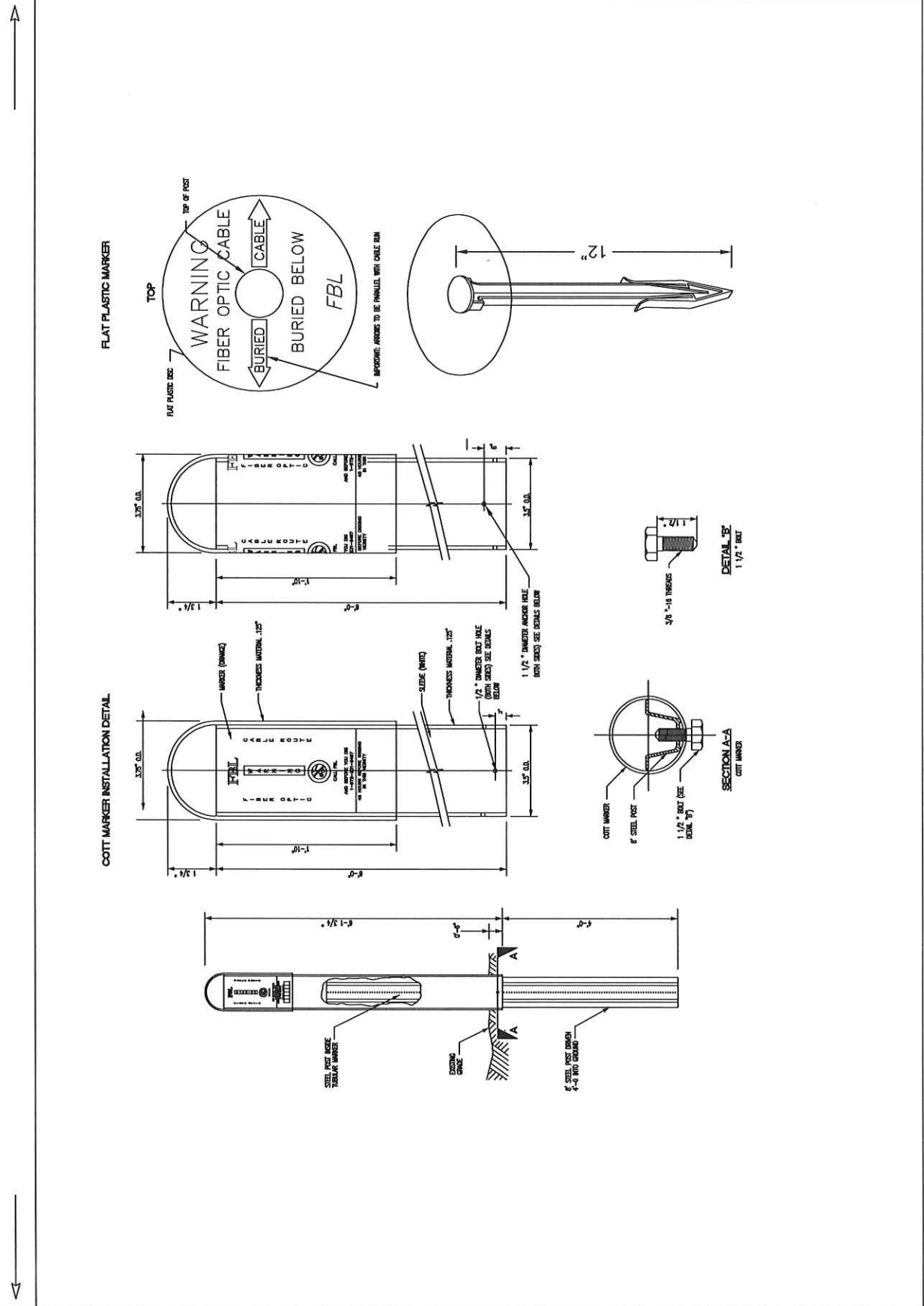


DATE: 06/27/19 BY: LJD
 10/26/19 DESCRIPTION: ES

DATE	DESCRIPTION	BY
06/27/19	ISSUE MAP	LJD
10/26/19	DESCRIPTION	ES

SCALE
 B SIZE DWG: NTS
 D SIZE DWG: NTS
 DATE:
 APPROVED:
 SHEET:

100% CABLE MARKER



FLAT PLASTIC MARKER

COTT MARKER INSTALLATION DETAIL

DETAIL 'B'
1 1/2" DIA

SECTION A-A
COTT MARKER

STEEL PIPE MARKER TUBULAR MARKER

EXISTING CHASE

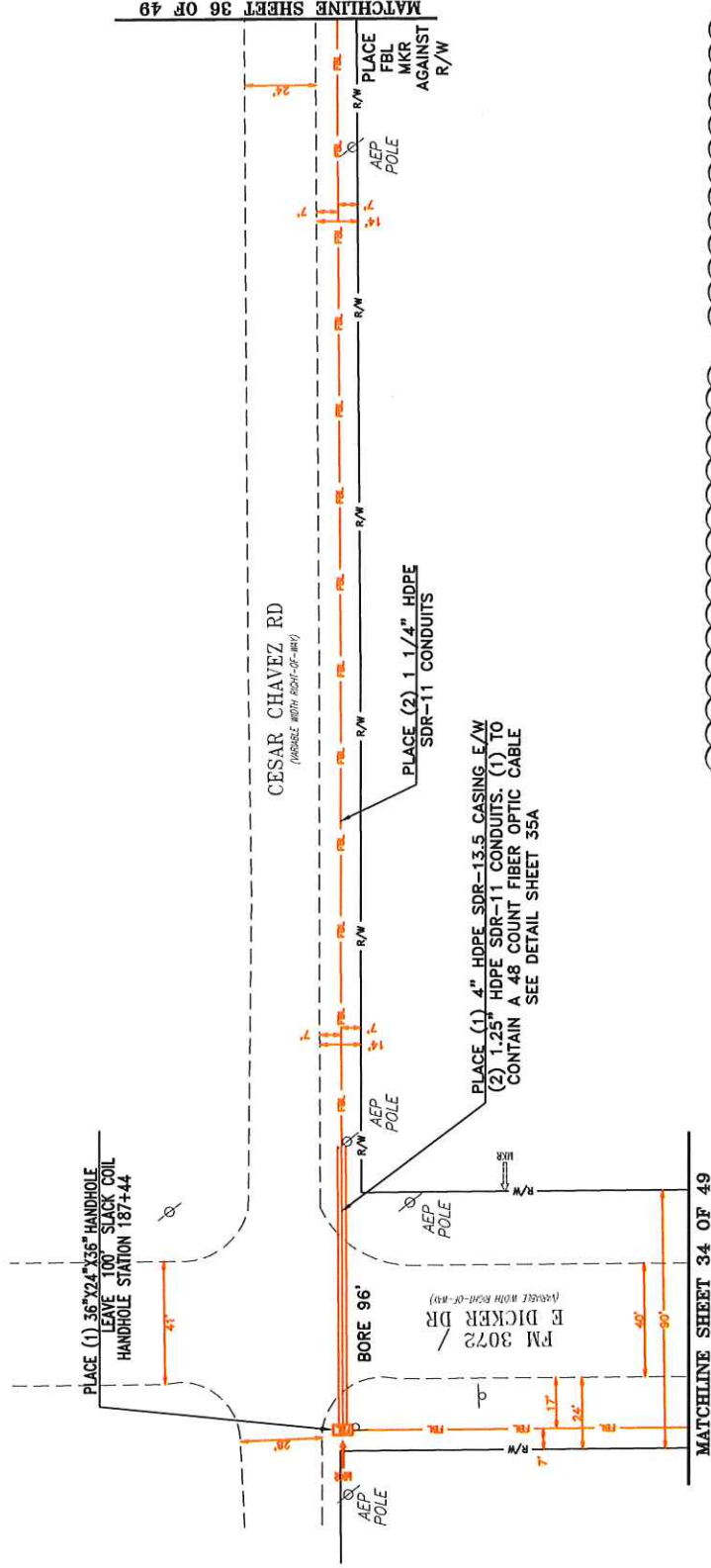
IF STEEL PIPE MARKER IS TO BE INSTALLED

SEGMENT #FBL
186+44

HIDALGO COUNTY, TX

SEGMENT #FBL
192+17

INSTALL ONE (1) 48 FIBER OPTIC CABLE (BURIED & AERIAL)
(2) 1 1/4" HDPE SDR 11 (1 BLACK & 1 WHITE STRIPE) (BURIED ONLY)
PLOW 100' BORE 96'



CONSTRUCTION NOTE:
BORED SECTIONS WILL EXTEND A MINIMUM OF 5' BEYOND THE EDGE OF CONCRETE PAVEMENT, OR 10' BEYOND THE EDGE OF ASPHALT PAVEMENT (INCLUDING ALL PUBLIC CROSSING STREETS) THIS IS TO INCLUDE ANY ADDITIONAL WIDTH NECESSARY TO CLEAR EXISTING SIDEWALK.

PLACEMENT NOTE:
ALL DUCT/FIBER TO BE PLACED AT A MINIMUM DEPTH OF 42" WITHIN TYPED R/W AND A MINIMUM OF 60" BELOW THE TOP OF THE SURFACE OF ALL TYPED ROADS, PUBLIC STREETS AND DRIVEWAYS.

CONTRACTORS NOTE:
UTILITY LOCATIONS ARE APPROXIMATE BASED ON RECORDS INFORMATION. NOT BASED ON BOUNDARY SURVEY AND FIELD EXPOSURES.

REVISIONS

DATE	DESCRIPTION	BY
08/27/13	ISSUE MAP	BJ
10/01/13	DESIGN	BJ

SCALE
B SIZE DWG: 1" = 40'
D SIZE DWG: 1" = 20'

DATE:
APPROVED:
SHEET: 35 OF 49

PLAN

PROJECT: # RM19-961
SEGMENT #CC01076A
PERMIT
7/17/20

FiberLight
FIBERLIGHT LLC
4360 BELTWAY PL
ARLINGTON, TX 76018

AMWT
AMERICAN
MATERIALS
WARRANTY TRUST

TEXAS RECAVATION
SAFETY SYSTEM

SHEET UNIT TOTALS

REVISIONS

DATE DESCRIPTION BY
08/27/13 ISSUE MAP BJ
10/01/13 DESIGN BJ

NOTES:
COPY TO ALL CONTRACTORS INVOLVED IN PROJECT. THESE DRAWINGS ARE FOR INFORMATION ONLY. THE CONTRACTOR IS RESPONSIBLE FOR VERIFYING ALL UTILITIES AND FIELD EXPOSURES. THE CONTRACTOR SHALL BE RESPONSIBLE FOR VERIFYING ALL UTILITIES AND FIELD EXPOSURES. THE CONTRACTOR SHALL BE RESPONSIBLE FOR VERIFYING ALL UTILITIES AND FIELD EXPOSURES.

SCALE
B SIZE DWG: 1" = 40'
D SIZE DWG: 1" = 20'

DATE:
APPROVED:
SHEET: 35 OF 49

PLAN

