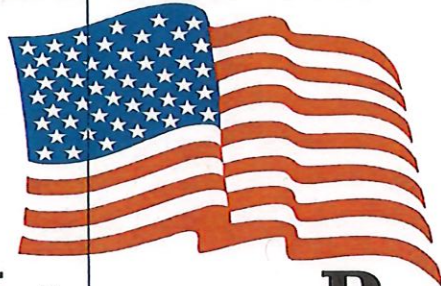


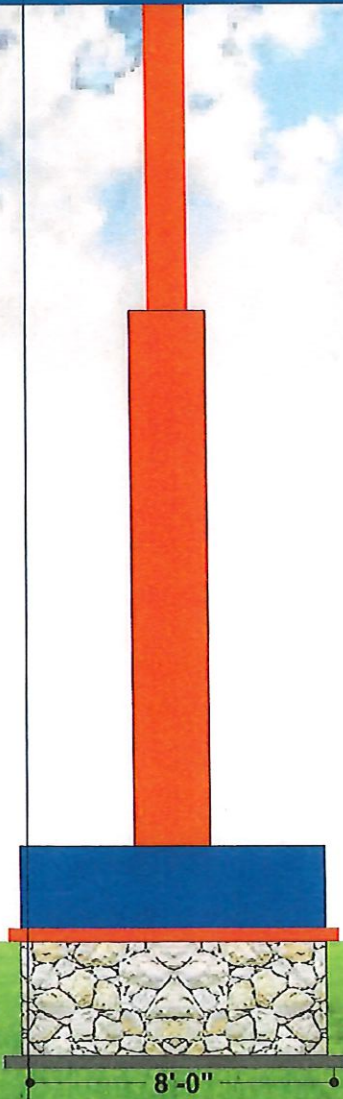
16'-0"
24"
Linn-San Manuel



25"
Veterans Park

12'-0"

40'-0"



5'-6"

8'-0"

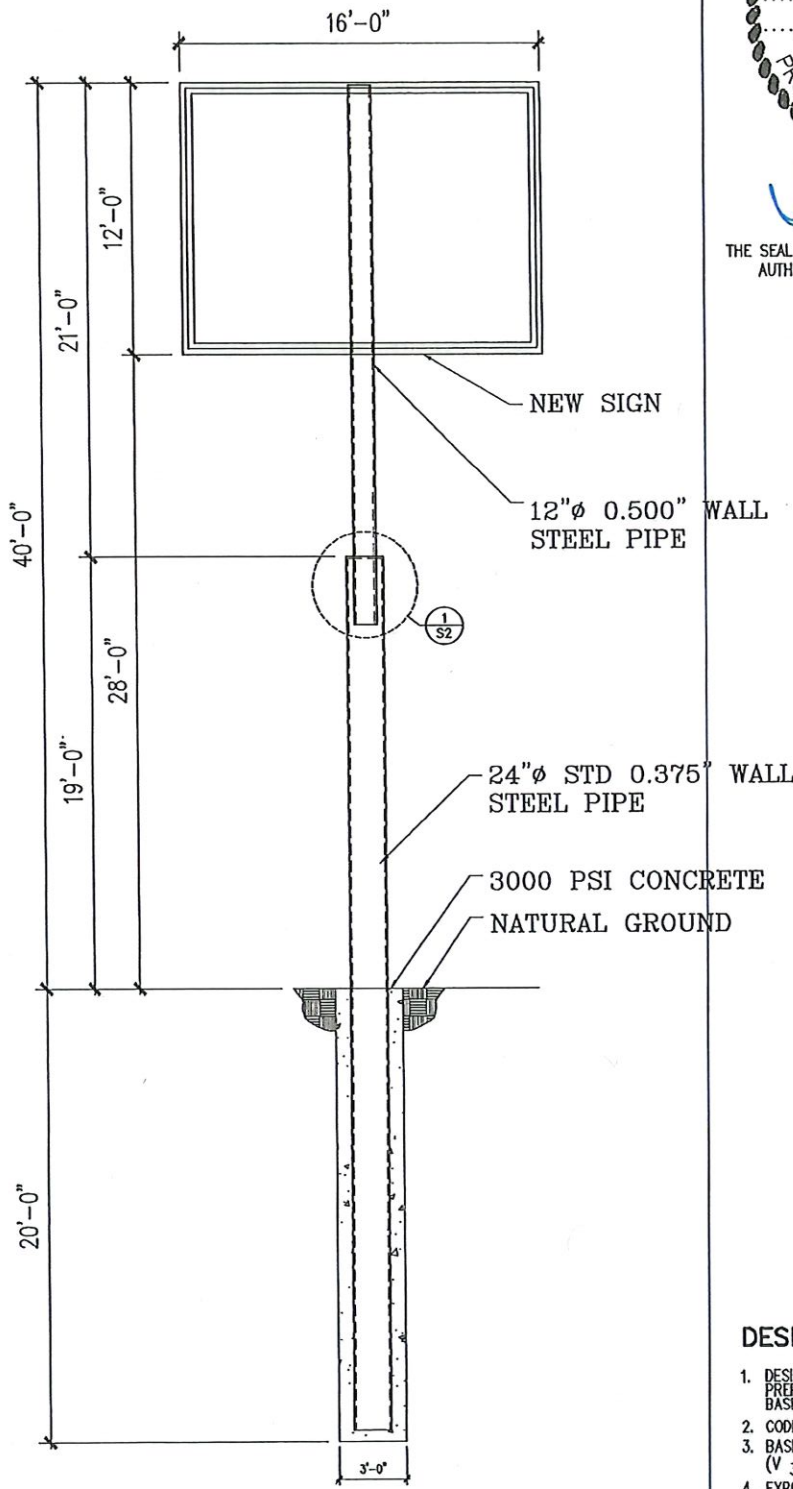


AC-DC Sign Group L.L.C.
1902-C Joe Stephens Ave
Weslaco, TX 78599

Phone: (956) 973-9000
(956) 322-3081
Fax: (956) 322-3082
design@acdcsigngroup.com

State
Licence
No. 18036





#	DATE	REVISION
1	05/31/2021	SGN SIZE



05/31/2021
 THE SEAL APPEARING ON THIS DOCUMENT WAS AUTHORIZED BY, IDEN I. TREVINO P.E.

DATE: 02/04/2021
 SCALE: 1/8" = 1'-0"
 SHEET S1 OF 2

THE SEAL APPEARING ON THIS DOCUMENT WAS AUTHORIZED BY IDEN I. TREVINO P.E. 92036. ALTERATION OF A SEALED DOCUMENT WITHOUT PROPER NOTIFICATION TO THE RESPONSIBLE ENGINEER IS AN OFFENSE UNDER THE TEXAS ENGINEERING PRACTICE ACT.

TREVIÑO ENGINEERING
 FIRM No. F-7906
 TEL. No. (956) 283-8847
 iden@trevinoengineering.com
 200 S. 10th St. Ste. 1303
 McALLEN, TEXAS 78501



**NEW SIGN FOR
 LINN SAN MANUEL VETERANS PARK
 SAN MANUEL,
 TEXAS**

DESIGN CRITERIA

- DESIGN LOADS, STRUCTURAL ANALYSIS AND PREPARATIONS OF STRUCTURAL MEMBERS IS BASED UPON THE FOLLOWING CRITERIA:
- CODE: IBC 2012, ASCE7-10
- BASIC WIND SPEED (V_{3s} - 3 SECOND GUST): 130 MPH
- EXPOSURE CATEGORY C
- IMPORTANCE FACTOR 0.77
- BUILDING CATEGORY I

DATE
1 05/31/2021

REVISION
SIGN SIZE

DATE:
02/04/2021

SCALE:
NTS

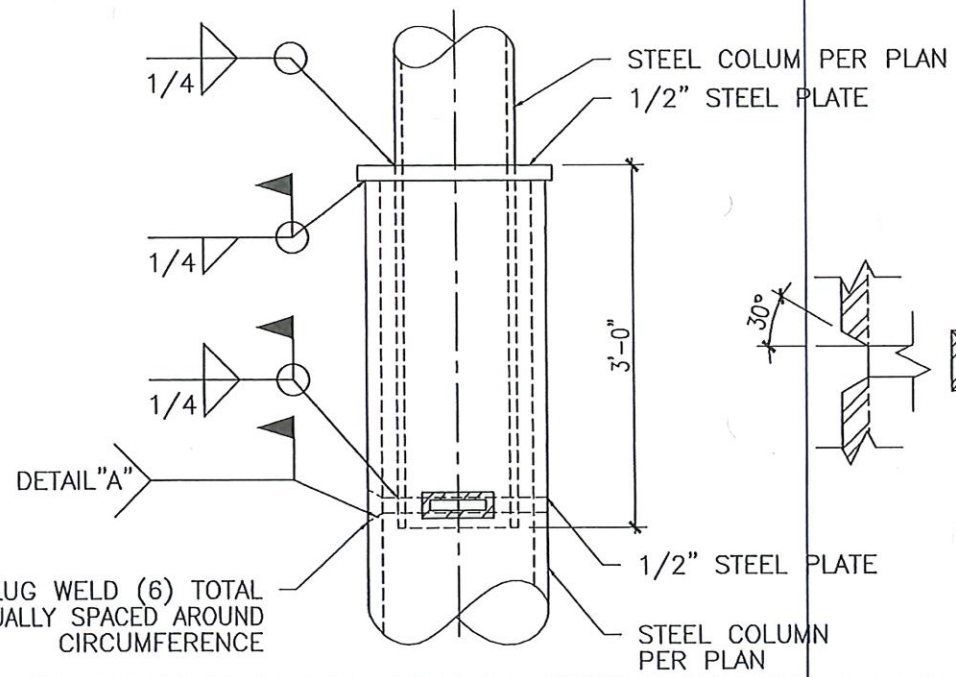
SHEET S2
OF 2



05/31/2021

THE SEAL APPEARING ON THIS DOCUMENT WAS AUTHORIZED BY, IDEN I. TREVINO P.E.

THE SEAL APPEARING ON THIS DOCUMENT WAS AUTHORIZED BY IDEN I. TREVINO PE 92036. ALTERATION OF A SEALED DOCUMENT WITHOUT PROPER NOTIFICATION OF THE RESPONSIBLE ENGINEER IS AN OFFENSE UNDER THE TEXAS ENGINEERING PRACTICE ACT.



PLUG WELD (6) TOTAL
EQUALLY SPACED AROUND
CIRCUMFERENCE

STEEL COLUMN TO STEEL COLUMN

1

TREVIÑO ENGINEERING
FIRM No. F-7906



200 S. 10th St. Ste. 1303
McALLEN, TEXAS 78501
TEL No. (956) 283-8847
iden@trevinoengineering.com

NEW SIGN FOR
LINN SAN MANUEL VETERANS PARK
SAN MANUEL,
TEXAS