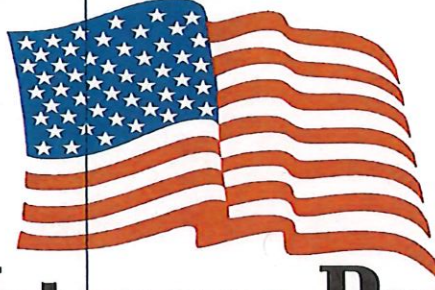
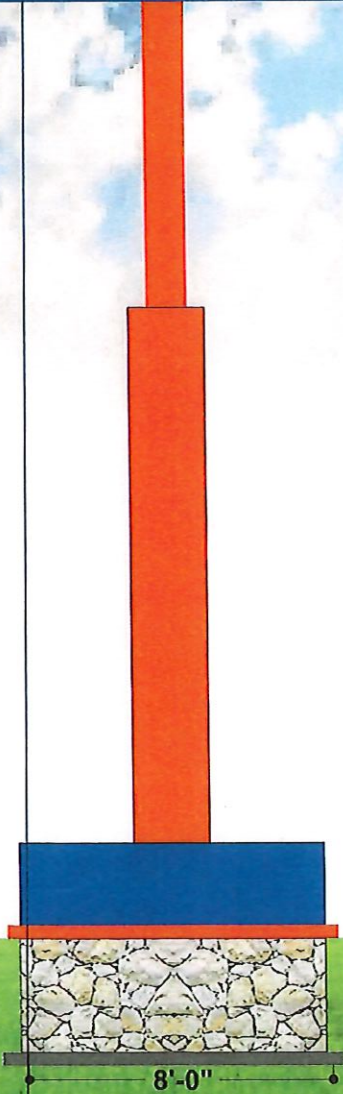


16'-0"
24"
Linn-San Manuel



25"
Veterans Park
12'-0"

40'-0"



5'-6"

8'-0"

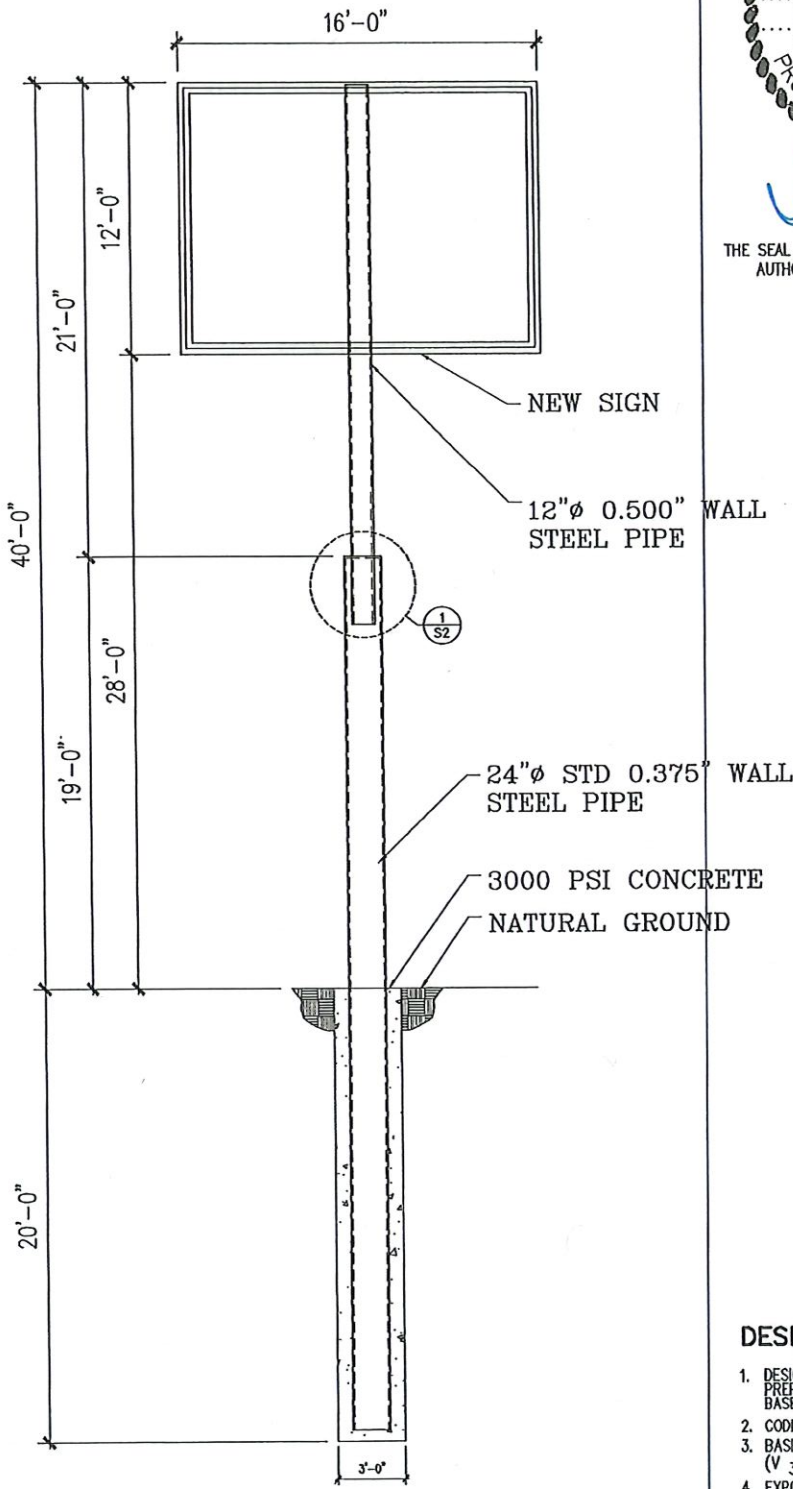


AC-DC Sign Group L.L.C.
1902-C Joe Stephens Ave
Weslaco, TX 78599

Phone: (956) 973-9000
(956) 322-3081
Fax: (956) 322-3082
design@acdcsigngroup.com

State
Licence
No. 18036





DATE
1 05/31/2021

REVISION
SIGN SIZE



05/31/2021
THE SEAL APPEARING ON THIS DOCUMENT WAS AUTHORIZED BY, IDEN I. TREVINO P.E.

DATE:
02/04/2021

SCALE:
1/8" = 1'-0"

SHEET S1
OF 2

THE SEAL APPEARING ON THIS DOCUMENT WAS AUTHORIZED BY IDEN I. TREVINO PE 92036. ALTERATION OF A SEALED DOCUMENT WITHOUT PROPER NOTIFICATION TO THE RESPONSIBLE ENGINEER IS AN OFFENSE UNDER THE TEXAS ENGINEERING PRACTICE ACT.

TREVIÑO ENGINEERING
FIRM No. F-7906



**NEW SIGN FOR
LINN SAN MANUEL VETERANS PARK
SAN MANUEL,
TEXAS**

TEL No. (956) 283-8847
idenc@trevinoengineering.com
200 S. 10th. St. Ste. 1303
McALLEN, TEXAS 78501

DESIGN CRITERIA

1. DESIGN LOADS, STRUCTURAL ANALYSIS AND PREPARATIONS OF STRUCTURAL MEMBERS IS BASED UPON THE FOLLOWING CRITERIA:
2. CODE: IBC 2012, ASCE7-10
3. BASIC WIND SPEED (V_{3s} - 3 SECOND GUST): 130 MPH
4. EXPOSURE CATEGORY C
5. IMPORTANCE FACTOR 0.77
6. BUILDING CATEGORY I

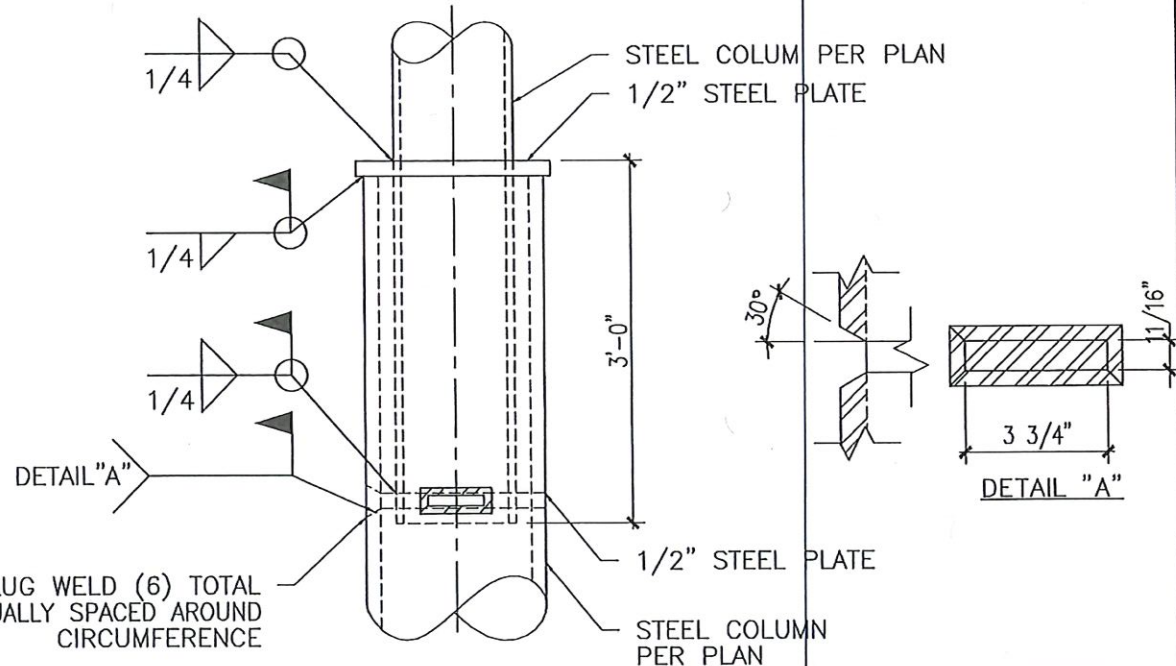
#	DATE	REVISION
1	05/31/2021	SIGN SIZE



05/31/2021
 THE SEAL APPEARING ON THIS DOCUMENT WAS AUTHORIZED BY, IDEN I. TREVINO P.E.

DATE: 02/04/2021
 SCALE: NTS
 SHEET S2 OF 2

THE SEAL APPEARING ON THIS DOCUMENT WAS AUTHORIZED BY IDEN I. TREVINO PE 92036. ALTERATION OF A SEALED DOCUMENT WITHOUT PROPER NOTIFICATION TO THE RESPONSIBLE ENGINEER IS AN OFFENSE UNDER THE TEXAS ENGINEERING PRACTICE ACT.



TREVIÑO ENGINEERING
 FIRM No. F-7906

TEL No. (956) 283-8847
 identi@trevinoengineering.com

200 S. 10th St. Ste. 1303
 McALLEN, TEXAS 78501

NEW SIGN FOR
 LINN SAN MANUEL VETERANS PARK
 SAN MANUEL,
 TEXAS

STEEL COLUMN TO STEEL COLUMN 1

