



**Planning  
Department**

**Anthony Uresti**  
*Director of Planning*

**Main Office**

2818 S. Business Hwy 281  
Edinburg, Texas 78539  
Phone (956) 318-2840

**Precinct No. 1 Substation**

1900 Joe Stephens Ave. Ste. A  
Weslaco, TX 78596  
Phone (956) 968-4734

**Precinct No. 3 Substation**

2401 N. Moorefield Road  
Mission, Texas 78572  
Phone (956) 205-7045

**PIPELINE AND UTILITY PERMIT APPLICATION PACKET**

THE STATE OF TEXAS

COUNTY OF HIDALGO

PRECINCT \_\_\_\_\_

**APPLICATION AND AGREEMENT FOR PIPELINE OR  
UTILITY PERMIT**

Date: 4/3/24

Spectrum 4563438/PM19E (hereinafter referred to as "Applicant") does hereby make application to the Hidalgo County through the Hidalgo County Planning Department (hereinafter referred to as "HCPD") to construct, maintain and repair pipelines or utilities across the easements, right-of-ways, property or property interest as described below.

Information required:

1. Name, Address and Phone number of Applicant:

Robert Martinez 956-535-3264

1514 South 77 Sunshine Strip suite 1 Harlingen, TX 78550

2. Name, Address and Phone number of company or agency owning Pipeline or Utility (please indicate if same as Applicant):

Robert Martinez 956-535-3264

1514 South 77 Sunshine Strip suite 1 Harlingen, Tx 78550

3. Name, Address and Phone number of operator of Pipeline or Utility (please indicate if same as Applicant):

Robert Martinez 956-535-3264

1514 South 77 Sunshine Strip suite 1 Harlingen, Tx 78550

4. Name, Address and Phone number of contractor to install Pipeline or Utility:

Janie Mendoza 512-973-9702

Dcomm Inc. 1810 East Sugar Cane Weslaco, Tx. 78596

Visit Hidalgo County Planning Department on the web at [www.co.hidalgo.tx.us](http://www.co.hidalgo.tx.us)



**Planning  
Department**

**Anthony Uresti**  
*Director of Planning*

**Main Office**

2818 S. Business Hwy 281  
Edinburg, Texas 78539  
Phone (956) 318-2840

**Precinct No. 1 Substation**

1900 Joe Stephens Ave. Ste. A  
Weslaco, TX 78596  
Phone (956) 968-4734

**Precinct No. 3 Substation**

2401 N. Moorefield Road  
Mission, Texas 78572  
Phone (956) 205-7045

**PIPELINE AND UTILITY PERMIT APPLICATION PACKET**

5. Is this a common carrier pipeline or utility? If yes, please submit the Applicant's Texas Railroad Commission Form "T-4" or similar form designating the facility:

NA

6. Does Applicant have the Power of Eminent Domain?

NA

7. Will the product be carried for hire or by the owner of the goods?

NA

8. Name and Legal description of property owner requesting utility services if applicable:

Las Encinitas

Along East side of Serpentario st.

9. Type of utility work within county road right-of-way:

Bore Crossing     Line Extension Along R.O.W.     Other underground cabinet

10. Where is the origin of the line?

NA

11. Where is the destination of the line?

NA



**Planning  
Department**

**Anthony Uresti**  
*Director of Planning*

**Main Office**

2818 S. Business Hwy 281  
Edinburg, Texas 78539  
Phone (956) 318-2840

**Precinct No. 1 Substation**

1900 Joe Stephens Ave. Ste. A  
Weslaco, TX 78596  
Phone (956) 968-4734

**Precinct No. 3 Substation**

2401 N. Moorefield Road  
Mission, Texas 78572  
Phone (956) 205-7045

**PIPELINE AND UTILITY PERMIT APPLICATION PACKET**

12. Utility Crossing Coordinate X: 26.329781 Y: .98.094496  
(NAD 83 Texas South FIPS 4205 feet)
13. Number and size of lines:  
NA
14. Pressure (each line):  
NA
15. Content (each line):  
NA
16. Estimated date of installation of Pipeline or Utility:  
NA



## Planning Department

**Anthony Uresti**  
*Director of Planning*

### Main Office

2818 S. Business Hwy 281  
Edinburg, Texas 78539  
Phone (956) 318-2840

### Precinct No. 1 Substation

1900 Joe Stephens Ave. Ste. A  
Weslaco, TX 78596  
Phone (956) 968-4734

### Precinct No. 3 Substation

2401 N. Moorefield Road  
Mission, Texas 78572  
Phone (956) 205-7045

## PIPELINE AND UTILITY PERMIT APPLICATION PACKET

If requested permit is granted by HCPD, Applicant, in consideration thereof, agrees and binds itself as follows:

1. All pipelines or utilities herein will be horizontally placed within the right-of-way as determined by HCPD and at a minimum depth of five (5) feet below natural ground. Depth, horizontal, and vertical location shall be confirmed by HCPD Inspectors.
2. Location map, profile, and plans concerning the proposed pipeline or utility crossing will be furnished with this application.
3. HCPD will be notified in writing ten days prior to the beginning date of construction under this permit.
4. Applicant will bear the entire expense of all future relocations of any pipelines or utilities should such relocation, at the sole discretion of the Hidalgo County Commissioners Court, be necessary for improvements, alteration, or maintenance of Hidalgo County's easement or property of interest.
5. Applicant will notify the HCPD at least 48 hours prior to covering work and or completion of its work and removal of its equipment from the job site to permit HCPD to make an inspection.
6. Upon notification by the HCPD, the Applicant will promptly repair or rectify any deficiency or condition caused by the Applicant's operations or installations under this permit. Applicant will leave easement in as near the same condition or better, in the HCPD's sole judgment, as it existed prior to the commencement of the operations under this permit.
7. Hidalgo County shall not be liable or responsible for, and shall be saved and held harmless by Applicant, and further shall be indemnified by Applicant, from and against any and all suits, actions, losses, damages, claims, or liability of any character, type, or description, including all expenses of litigation, court costs, attorney's fees, and engineering fees for injury or death to any person, or injury to any property, received or sustained by any person or persons or property, arising out of, or occasioned by, directly or indirectly, the performance of Applicant under this agreement, including claims and damages arising in part from the negligence of Hidalgo County.



## Planning Department

**Anthony Uresti**  
*Director of Planning*

### Main Office

2818 S. Business Hwy 281  
Edinburg, Texas 78539  
Phone (956) 318-2840

### Precinct No. 1 Substation

1900 Joe Stephens Ave. Ste. A  
Weslaco, TX 78596  
Phone (956) 968-4734

### Precinct No. 3 Substation

2401 N. Moorefield Road  
Mission, Texas 78572  
Phone (956) 205-7045

## PIPELINE AND UTILITY PERMIT APPLICATION PACKET

It is the expressed intent of the parties to this agreement that the indemnity provided for in this section is extended by Applicant to indemnify and protect Hidalgo County from the consequences of Hidalgo County's own negligence, whether that negligence is the sole or contributory cause of the resultant injury death, or damage.

Applicant further agrees to defend, at its own expense, with attorneys acceptable to Hidalgo County and on behalf of Hidalgo County, and in the name of Hidalgo County, any claim or litigation brought against Hidalgo County in connection with any such injury, death or damage.

Before construction is begun on such pipeline or utility crossings, Applicant will furnish to the HCPD a certificate of insurance (or other security approved by the HCPD) payable to Hidalgo County and protecting Hidalgo County (as an additional named insured) against any claims for personal injuries or damages to property resulting from the operations of Applicant, its agents, servants, employees, and contractors under this permit. Insurance is to be supplied in accordance with the attached Schedule A.

8. Hidalgo County makes no warranties, expressed or implied, in the granting of this permit; nor does Hidalgo County purport to grant any property interest or exclusive privileges whatsoever by granting such permit. It is specifically understood that Hidalgo County is not the agent for, nor does it act for, the fee owners or any persons or entities having any right, or title to possession of the land upon which Hidalgo County's easement or other property interest is located. Furthermore, in granting this permit Hidalgo County makes no representation or warranty that it has any property interest, including, but not limited to, an easement or right of way, in the land upon which Applicant constructs, maintains, repairs, or modifies the pipelines or utilities, made the subject of this application, nor does Hidalgo County make any representation or warranty as to the validity, quality or extent of such property interest, if any. Applicant acknowledges its understanding that Hidalgo County in granting this permit, does not convey or grant to Applicant any rights, title or interest for which is has no legal authority to grant or convey.
9. Applicant binds itself to comply with all federal, state, and local laws or regulations and will obtain all necessary permits from all local and federal agencies required by law before installation or construction is begun.



## Planning Department

**Anthony Uresti**  
*Director of Planning*

### Main Office

2818 S. Business Hwy 281  
Edinburg, Texas 78539  
Phone (956) 318-2840

### Precinct No. 1 Substation

1900 Joe Stephens Ave. Ste. A  
Weslaco, TX 78596  
Phone (956) 968-4734

### Precinct No. 3 Substation

2401 N. Moorefield Road  
Mission, Texas 78572  
Phone (956) 205-7045

## PIPELINE AND UTILITY PERMIT APPLICATION PACKET

10. Applicant will install its pipelines and utilities in a manner and location as shown in the plans and specifications filed with HCPD in support of this application for permit. Hidalgo County Planning Department's representative may at any time make such inspection as such engineer or other representation may deem necessary to assure that the construction of the pipeline or utilities is in accordance with the plans and specifications submitted, and said engineer or representative shall have the right to temporarily suspend Applicant's work if necessary, while such inspection is being made. Should Applicant not install the pipelines or utilities in accordance with the terms and conditions of this permit, Applicant agrees that Hidalgo County shall have the right to require, at Applicant's expense, the removal of the pipelines and utilities and its replacement in conformance to said plans and specifications and conditions of this permit. Hidalgo County may revoke this permit and suspend all work hereunder if it is determined by Hidalgo County that the pipelines or utilities are not being installed in accordance with such plans and specifications and conditions of this permit. The suspension or revocation of this permit shall not be a basis for a claim for damages against Hidalgo County.
11. Except in emergency situations where it is necessary to protect life and property, Applicant will not make any change, modification, or alteration in or to the pipelines or utilities without first securing a new or amended permit from Hidalgo County prior to the making of any such change. Applicant will maintain the pipelines or utilities hereby authorized in good and safe condition, and in accordance with plans, specifications, and this permit.
12. Applicant agrees to pay HCPD a permit fee to cover administrative costs in the amount of **\$500.00**, plus a reimbursement to HCPD for any necessary engineering fees which may be incurred for the study and processing of the Application. This fee will permit a single pipeline or utility to be within County right-of-way. Applicant further agrees to pay an additional fee of **\$500.00** for each additional line included in permit application at the same location; however, more than one location may be included in a single application.

Requests to lay additional line or lines, not included in an initial permit application, must be made by separate application, with new permit fees paid accordingly and support data provided.



## Planning Department

**Anthony Uresti**  
*Director of Planning*

### Main Office

2818 S. Business Hwy 281  
Edinburg, Texas 78539  
Phone (956) 318-2840

### Precinct No. 1 Substation

1900 Joe Stephens Ave. Ste. A  
Weslaco, TX 78596  
Phone (956) 968-4734

### Precinct No. 3 Substation

2401 N. Moorefield Road  
Mission, Texas 78572  
Phone (956) 205-7045

## PIPELINE AND UTILITY PERMIT APPLICATION PACKET

Permit fees may be waived where Applicant is a state, county, municipality, or a special political subdivision.

13. The Applicant is allowed one hundred twenty days (120) from the granting of the permit to start construction of the pipelines or utilities crossings. Once started, the Applicant is allowed ninety (90) days to complete all work under such permit. All construction must be completed within two hundred ten (210) days from the date of issuance of permit. Upon application, extension of the time periods set forth in this paragraph may be granted by the Hidalgo County Commissioners Court. Such applications for extension must be received by HCPD at least thirty days before the expiration of the two hundred ten (210) days period. A new permit fee, in accordance with Paragraph 12 hereof, will be charged for each extension granted.

Construction of any pipeline or utility crossing will not begin until written approval has been given by HCPD.

14. All provisions of the Pipeline and Utility Permit Administration Policy of Hidalgo County, if any, and all amendments thereto, are hereby incorporated herein as part of the terms and conditions of this permit for all purposes.
15. Applicant warrants and represents that it has secured from all fee owners of the involved property an easement or other property rights to construct, repair or modify the pipeline or utility in the manner set forth herein.
16. This Pipeline and Utility Permit if granted by Hidalgo County is subject to any and all other requirements, specifications and conditions listed in Exhibit A attached hereto.
17. Hidalgo County requires all coordinates of all utility crossings. Horizontal datum to be in NAD 83 State Plane Texas South 4205 feet and vertical datum in NAVD 88 Geoid 12a.



**Planning  
Department**

**Anthony Uresti**  
Director of Planning

**Main Office**

2818 S. Business Hwy 281  
Edinburg, Texas 78539  
Phone (956) 318-2840

**Precinct No. 1 Substation**

1900 Joe Stephens Ave. Ste. A  
Weslaco, TX 78596  
Phone (956) 968-4734

**Precinct No. 3 Substation**

2401 N. Moorefield Road  
Mission, Texas 78572  
Phone (956) 205-7045

**PIPELINE AND UTILITY PERMIT APPLICATION PACKET**

18. This permit constitutes the entire agreement between the parties with regard to the subject matter hereof, and all prior agreements, representations, and negotiations between the parties regarding the subject matter are hereby superseded. This permit shall not be altered or amended except by an agreement in writing executed by the parties hereto.

19. Applicant warrants and represents that its undersigned representative has full authority to bind Applicant to the terms and conditions of the foregoing Application and Agreement for Pipeline or Utility Permit.

DATED this 3<sup>rd</sup> day of April, 2024.

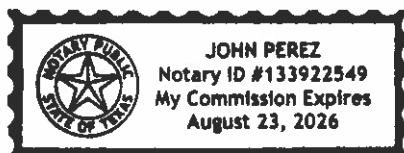
Robert Martinez  
(Name of Applicant – Printed or Typed)

By: Robert Martinez  
Signature

Title: Construction Coordinator

STATE OF TEXAS  
COUNTY OF HIDALGO

SUBSCRIBED AND SWORN TO before me the Applicant,  
Robert Martinez, on this 3<sup>rd</sup> day of April, 2023,  
to which witness my hand and seal of office.



[Signature]  
Notary Public for the State of Texas

My Commission Expires: August 23, 2026



**Planning  
Department**

**Anthony Uresti**  
*Director of Planning*

**Main Office**

2818 S. Business Hwy 281  
Edinburg, Texas 78539  
Phone (956) 318-2840

**Precinct No. 1 Substation**

1900 Joe Stephens Ave. Ste. A  
Weslaco, TX 78596  
Phone (956) 968-4734

**Precinct No. 3 Substation**

2401 N. Moorefield Road  
Mission, Texas 78572  
Phone (956) 205-7045

**PIPELINE AND UTILITY PERMIT APPLICATION PACKET**

**APPROVAL OF APPLICATION BY  
HIDALGO COUNTY PLANNING DEPARTMENT**

Came on for consideration this \_\_\_\_\_ day of \_\_\_\_\_,  
20\_\_\_\_. The above and foregoing Application for Pipeline and Utility  
Permit, and after consideration of the same by the Hidalgo County  
Commissioners Court, said Application and Agreement for Pipeline or  
Utility Permit is hereby APPROVED.

HIDALGO COUNTY:

\_\_\_\_\_  
Richard F. Cortez, County Judge



## **Planning Department**

**Anthony Uresti**  
*Director of Planning*

### **Main Office**

2818 S. Business Hwy 281  
Edinburg, Texas 78539  
Phone (956) 318-2840

### **Precinct No. 1 Substation**

1900 Joe Stephens Ave. Ste. A  
Weslaco, TX 78596  
Phone (956) 968-4734

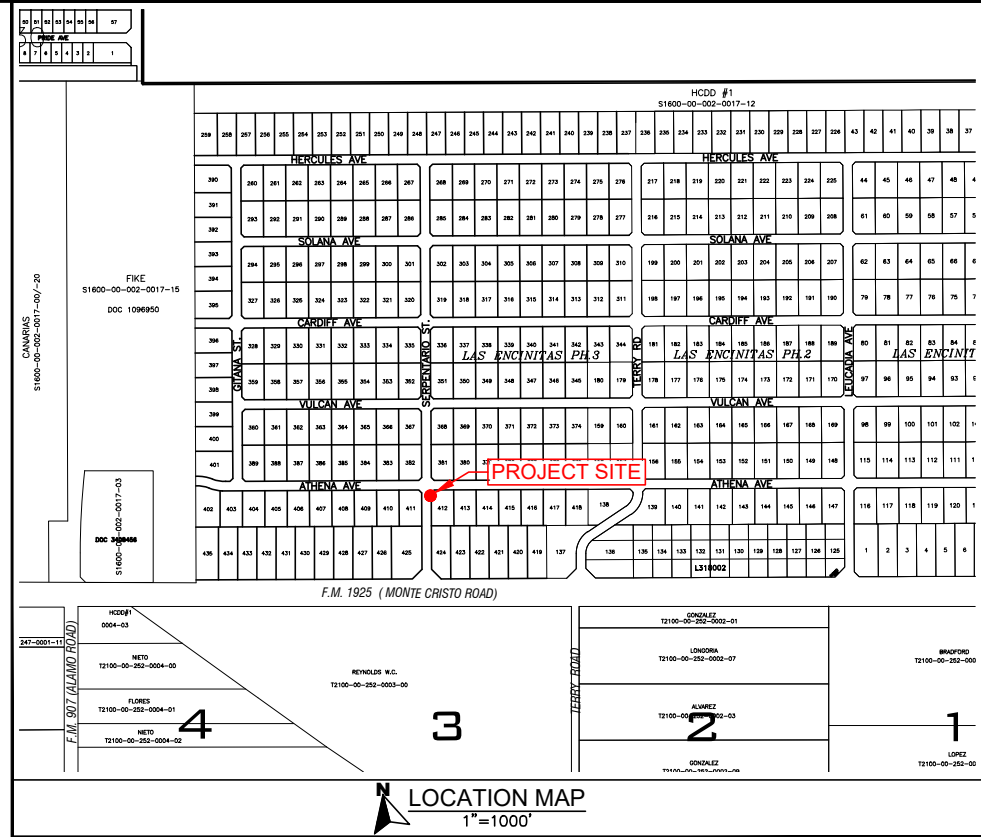
### **Precinct No. 3 Substation**

2401 N. Moorefield Road  
Mission, Texas 78572  
Phone (956) 205-7045

## **PIPELINE AND UTILITY PERMIT APPLICATION PACKET**

### **EXHIBIT A**

(Please insert description of project location and supporting documents for proposed utility work)

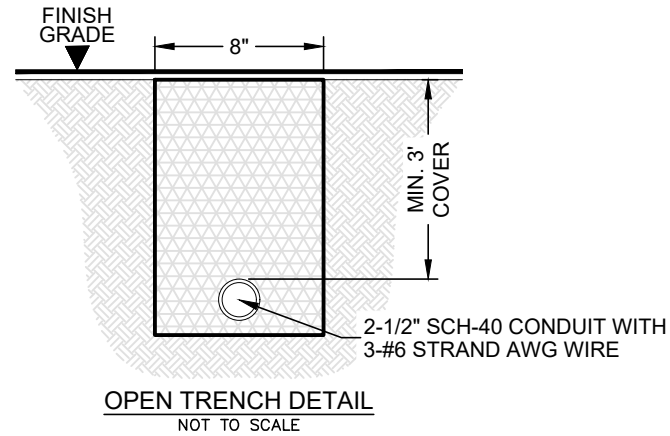


PROJECT NAME: SPECTRUM POWER SUPPLY AT LAS ENCINITAS PHASE 3 SUBDIVISION  
 ADDRESS: ALONG EAST SIDE OF SERPENTARIO ST. APPROX. 520' NORTH FROM MONTE CRISTO RD.  
 PRISM #: 4563438 DATE: 4 / 2 / 2024 SCALE: 1"=100'  
 PAGE: 1 OF 3 CITY: EDINBURG

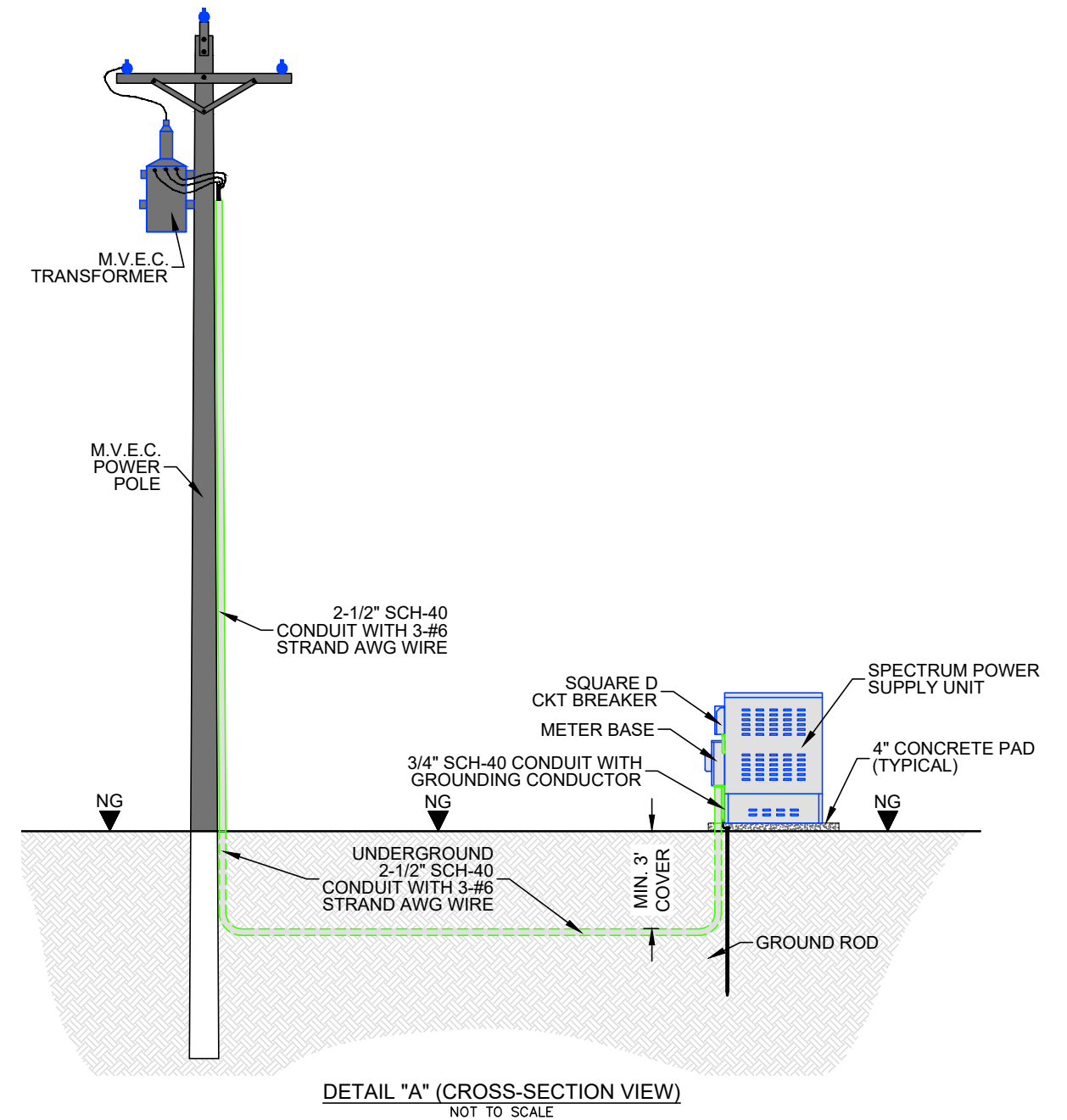
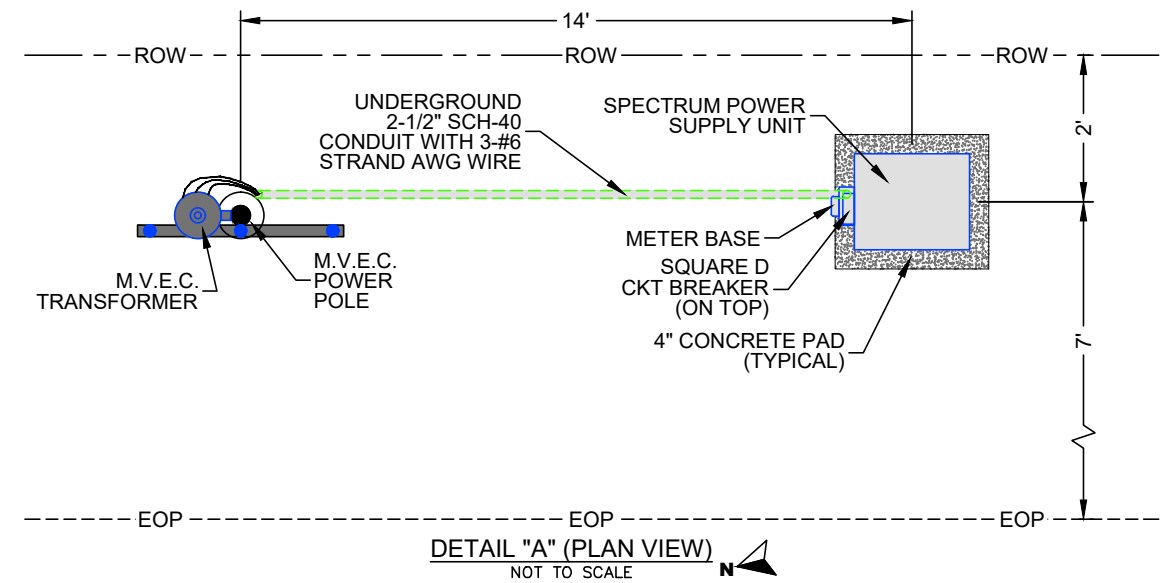
LEGEND			
	EXIST. POWER POLE		EXIST. PEDESTAL
	PROP. POWER POLE		PROP. PEDESTAL
	RIGHT OF WAY LINE		EXIST. UNDERGROUND
	EDGE OF PAVEMENT		PROP. UNDERGROUND
	EDGE OF SIDEWALK		PROP. OVERLASH
	RISER		PROP. NEW BUILD



ABBREVIATIONS	
H.C.A.D.	HIDALGO COUNTY APPRAISAL DISTRICT
H.C.M.R.	HIDALGO COUNTY MAP RECORDS
PI:	PROPERTY IDENTIFICATION
PROP.	PROPOSED
EXIST.	EXISTING
ROW	RIGHT-OF-WAY
EOP	EDGE OF PAVEMENT
CL	CENTER LINE
SW	SIDEWALK
ST.	STREET
RD.	ROAD



- NOTES:
1. ALL INFORMATION SHOWN ON THIS MAP HAVE BEEN GRAPHICALLY PLOTTED FROM FIELD OBSERVATION AND FROM AVAILABLE PUBLIC RECORDS. ALL MEASUREMENTS ARE APPROXIMATE, EXCAVATOR IS RESPONSIBLE TO FIELD VERIFY AND NOTIFY SPECTRUM SUPERVISOR IF THERE IS ANY CONFLICT BEFORE WORK STARTS.
  2. IT IS THE RESPONSIBILITY OF THE EXCAVATOR TO VERIFY AND FIELD LOCATE ANY AND ALL UNDERGROUND UTILITIES AND OBSTRUCTIONS PRIOR TO EXCAVATION. IT SHALL BE THE EXPENSE OF THE EXCAVATOR FOR ANY AND ALL DAMAGES INCURRED.



PROJECT NAME: SPECTRUM POWER SUPPLY AT LAS ENCINITAS PHASE 3 SUBDIVISION

ADDRESS: ALONG EAST SIDE OF SERPENTARIO ST. APPROX. 520' NORTH FROM MONTE CRISTO RD.

PRISM #: 4563438

DATE: 4 / 2 / 2024

SCALE: NTS

PAGE: 2 OF 3

CITY: EDINBURG

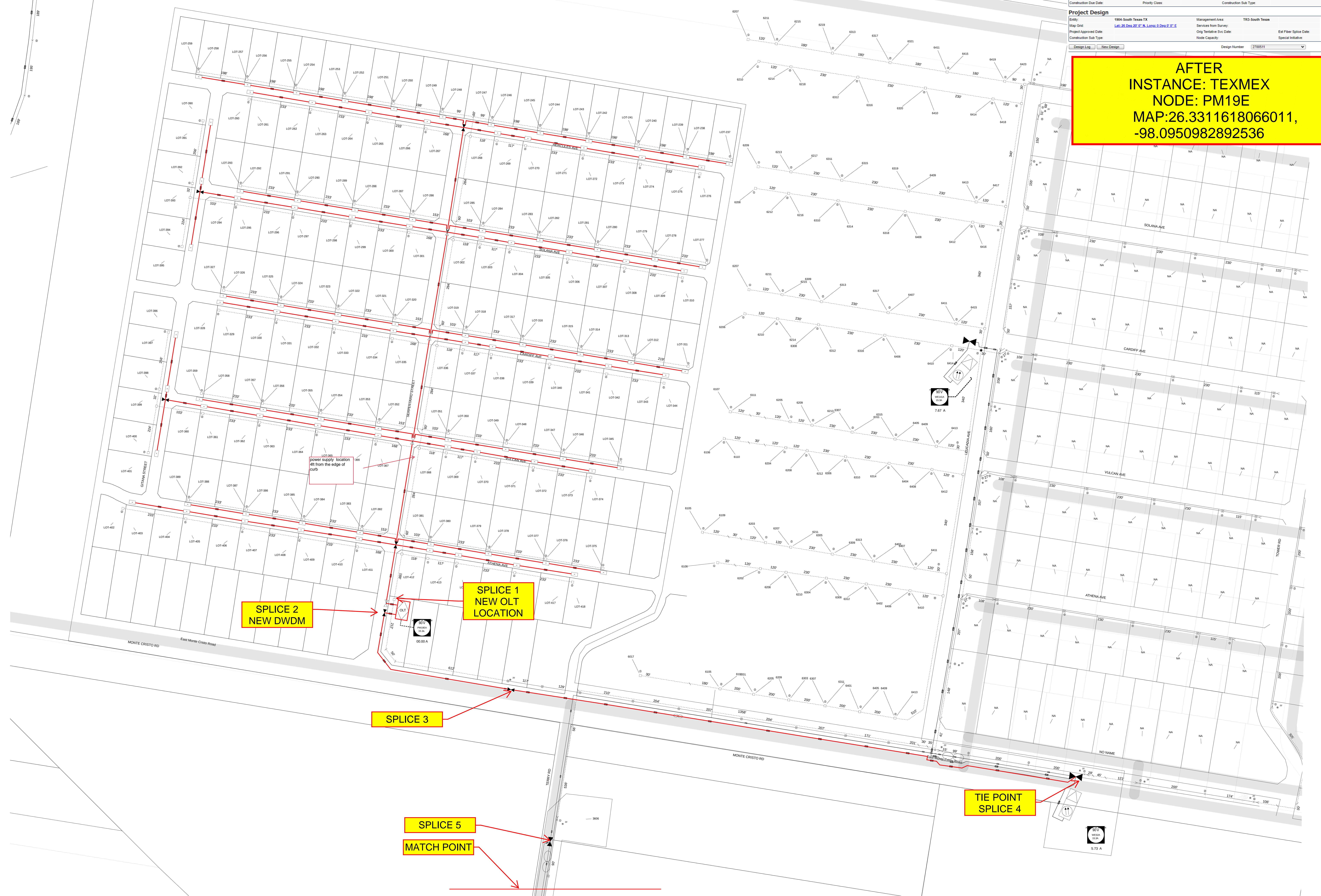
LEGEND			
	EXIST. POWER POLE		EXIST. PEDESTAL
	PROP. POWER POLE		PROP. PEDESTAL
	RIGHT OF WAY LINE		EXIST. UNDERGROUND
	EDGE OF PAVEMENT		PROP. UNDERGROUND
	EDGE OF SIDEWALK		PROP. OVERLASH
	RISER		PROP. NEW BUILD



Survey Info			
PRISM ID:	456343 - Mm	Originator:	Erney, Bobby D
Process Type:	Greenfield	Const Supervisor:	Castro, Oziel T
Process Status:	S2 - Survey in Progress	Construction Coordinator:	Castro, Homer - p2147684
Input Date:	In Progress	Total Project Cost:	0
Map Date:	04/14/23	Total Passings:	199
Node:		Tentative Svc Dt:	
Node:		Entity:	1904
Construction Due Date:		Priority Class:	
		Construction Survey Completed:	No
		Construction Sub Type:	

Project Design			
Entity:	1904-South Texas-TX	Management Area:	TR3-South Texas
Map Grid:	Lat: 26.331618066011, Long: -98.0950982892536	Services from Survey:	
Project Approved Date:		Orig Tentative Svc Date:	
Construction Sub Type:		Node Capacity:	

**AFTER  
 INSTANCE: TEXMEX  
 NODE: PM19E  
 MAP:26.3311618066011,  
 -98.0950982892536**



SPLICE 2  
NEW DWDM

SPLICE 1  
NEW OLT  
LOCATION

SPLICE 3

SPLICE 5  
MATCH POINT

TIE POINT  
SPLICE 4

SEE PAGE 2 FOR TAGS