



**Planning
Department**

Anthony Uresti
Director of Planning

Main Office

2818 S. Business Hwy 281
Edinburg, Texas 78539
Phone (956) 318-2840

Precinct No. 1 Substation

1900 Joe Stephens Ave. Ste. A
Weslaco, TX 78596
Phone (956) 968-4734

Precinct No. 3 Substation

2401 N. Moorefield Road
Mission, Texas 78572
Phone (956) 205-7045

PIPELINE AND UTILITY PERMIT APPLICATION PACKET

THE STATE OF TEXAS

COUNTY OF HIDALGO

PRECINCT 1

**APPLICATION AND AGREEMENT FOR PIPELINE OR
UTILITY PERMIT**

Date: 4/24/24

North Alamo Water Supply Corporation (hereinafter referred to as "Applicant") does hereby make application to the Hidalgo County through the Hidalgo County Planning Department (hereinafter referred to as "HCPD") to construct, maintain and repair pipelines or utilities across the easements, right-of-ways, property or property interest as described below.

Information required:

1. Name, Address and Phone number of Applicant:

North Alamo Water Supply Corporation Christy Sanchez
420 S Doolittle Rd. Edinburg TX 78542 956-383-1618

2. Name, Address and Phone number of company or agency owning Pipeline or Utility (please indicate if same as Applicant):

SAME

3. Name, Address and Phone number of operator of Pipeline or Utility (please indicate if same as Applicant):

SAME

4. Name, Address and Phone number of contractor to install Pipeline or Utility:

Burnias Construction 956-904-3111
904 Paloma Dr San Juan Tx 78589



Planning Department

Anthony Uresti
Director of Planning

Main Office

2818 S. Business Hwy 281
Edinburg, Texas 78539
Phone (956) 318-2840

Precinct No. 1 Substation

1900 Joe Stephens Ave. Ste. A
Weslaco, TX 78596
Phone (956) 968-4734

Precinct No. 3 Substation

2401 N. Moorefield Road
Mission, Texas 78572
Phone (956) 205-7045

PIPELINE AND UTILITY PERMIT APPLICATION PACKET

12. Utility Crossing Coordinate X: 1114497.43 Y: 16616263.08
(NAD 83 Texas South FIPS 4205 feet)
13. Number and size of lines:
2" PVC casing service to a 8" water line
14. Pressure (each line):
35 PSI
15. Content (each line):
Potable water
16. Estimated date of installation of Pipeline or Utility:
As soon as permit gets approved.



Planning Department

Anthony Uresti
Director of Planning

Main Office

2818 S. Business Hwy 281
Edinburg, Texas 78539
Phone (956) 318-2840

Precinct No. 1 Substation

1900 Joe Stephens Ave. Ste. A
Weslaco, TX 78596
Phone (956) 968-4734

Precinct No. 3 Substation

2401 N. Moorefield Road
Mission, Texas 78572
Phone (956) 205-7045

PIPELINE AND UTILITY PERMIT APPLICATION PACKET

If requested permit is granted by HCPD, Applicant, in consideration thereof, agrees and binds itself as follows:

1. All pipelines or utilities herein will be horizontally placed within the right-of-way as determined by HCPD and at a minimum depth of five (5) feet below natural ground. Depth, horizontal, and vertical location shall be confirmed by HCPD Inspectors.
2. Location map, profile, and plans concerning the proposed pipeline or utility crossing will be furnished with this application.
3. HCPD will be notified in writing ten days prior to the beginning date of construction under this permit.
4. Applicant will bear the entire expense of all future relocations of any pipelines or utilities should such relocation, at the sole discretion of the Hidalgo County Commissioners Court, be necessary for improvements, alteration, or maintenance of Hidalgo County's easement or property of interest.
5. Applicant will notify the HCPD at least 48 hours prior to covering work and or completion of its work and removal of its equipment from the job site to permit HCPD to make an inspection.
6. Upon notification by the HCPD, the Applicant will promptly repair or rectify any deficiency or condition caused by the Applicant's operations or installations under this permit. Applicant will leave easement in as near the same condition or better, in the HCPD's sole judgment, as it existed prior to the commencement of the operations under this permit.
7. Hidalgo County shall not be liable or responsible for, and shall be saved and held harmless by Applicant, and further shall be indemnified by Applicant, from and against any and all suits, actions, losses, damages, claims, or liability of any character, type, or description, including all expenses of litigation, court costs, attorney's fees, and engineering fees for injury or death to any person, or injury to any property, received or sustained by any person or persons or property, arising out of, or occasioned by, directly or indirectly, the performance of Applicant under this agreement, including claims and damages arising in part from the negligence of Hidalgo County.



Planning Department

Anthony Uresti
Director of Planning

Main Office

2818 S. Business Hwy 281
Edinburg, Texas 78539
Phone (956) 318-2840

Precinct No. 1 Substation

1900 Joe Stephens Ave. Ste. A
Weslaco, TX 78596
Phone (956) 968-4734

Precinct No. 3 Substation

2401 N. Moorefield Road
Mission, Texas 78572
Phone (956) 205-7045

PIPELINE AND UTILITY PERMIT APPLICATION PACKET

It is the expressed intent of the parties to this agreement that the indemnity provided for in this section is extended by Applicant to indemnify and protect Hidalgo County from the consequences of Hidalgo County's own negligence, whether that negligence is the sole or contributory cause of the resultant injury death, or damage.

Applicant further agrees to defend, at its own expense, with attorneys acceptable to Hidalgo County and on behalf of Hidalgo County, and in the name of Hidalgo County, any claim or litigation brought against Hidalgo County in connection with any such injury, death or damage.

Before construction is begun on such pipeline or utility crossings, Applicant will furnish to the HCPD a certificate of insurance (or other security approved by the HCPD) payable to Hidalgo County and protecting Hidalgo County (as an additional named insured) against any claims for personal injuries or damages to property resulting from the operations of Applicant, its agents, servants, employees, and contractors under this permit. Insurance is to be supplied in accordance with the attached Schedule A.

8. Hidalgo County makes no warranties, expressed or implied, in the granting of this permit; nor does Hidalgo County purport to grant any property interest or exclusive privileges whatsoever by granting such permit. It is specifically understood that Hidalgo County is not the agent for, nor does it act for, the fee owners or any persons or entities having any right, or title to possession of the land upon which Hidalgo County's easement or other property interest is located. Furthermore, in granting this permit Hidalgo County makes no representation or warranty that it has any property interest, including, but not limited to, an easement or right of way, in the land upon which Applicant constructs, maintains, repairs, or modifies the pipelines or utilities, made the subject of this application, nor does Hidalgo County make any representation or warranty as to the validity, quality or extent of such property interest, if any. Applicant acknowledges its understanding that Hidalgo County in granting this permit, does not convey or grant to Applicant any rights, title or interest for which is has no legal authority to grant or convey.
9. Applicant binds itself to comply with all federal, state, and local laws or regulations and will obtain all necessary permits from all local and federal agencies required by law before installation or construction is begun.



Planning Department

Anthony Uresti
Director of Planning

Main Office

2818 S. Business Hwy 281
Edinburg, Texas 78539
Phone (956) 318-2840

Precinct No. 1 Substation

1900 Joe Stephens Ave. Ste. A
Weslaco, TX 78596
Phone (956) 968-4734

Precinct No. 3 Substation

2401 N. Moorefield Road
Mission, Texas 78572
Phone (956) 205-7045

PIPELINE AND UTILITY PERMIT APPLICATION PACKET

10. Applicant will install its pipelines and utilities in a manner and location as shown in the plans and specifications filed with HCPD in support of this application for permit. Hidalgo County Planning Department's representative may at any time make such inspection as such engineer or other representation may deem necessary to assure that the construction of the pipeline or utilities is in accordance with the plans and specifications submitted, and said engineer or representative shall have the right to temporarily suspend Applicant's work if necessary, while such inspection is being made. Should Applicant not install the pipelines or utilities in accordance with the terms and conditions of this permit, Applicant agrees that Hidalgo County shall have the right to require, at Applicant's expense, the removal of the pipelines and utilities and its replacement in conformance to said plans and specifications and conditions of this permit. Hidalgo County may revoke this permit and suspend all work hereunder if it is determined by Hidalgo County that the pipelines or utilities are not being installed in accordance with such plans and specifications and conditions of this permit. The suspension or revocation of this permit shall not be a basis for a claim for damages against Hidalgo County.

11. Except in emergency situations where it is necessary to protect life and property, Applicant will not make any change, modification, or alteration in or to the pipelines or utilities without first securing a new or amended permit from Hidalgo County prior to the making of any such change. Applicant will maintain the pipelines or utilities hereby authorized in good and safe condition, and in accordance with plans, specifications, and this permit.

12. Applicant agrees to pay HCPD a permit fee to cover administrative costs in the amount of **\$500.00**, plus a reimbursement to HCPD for any necessary engineering fees which may be incurred for the study and processing of the Application. This fee will permit a single pipeline or utility to be within County right-of-way. Applicant further agrees to pay an additional fee of **\$500.00** for each additional line included in permit application at the same location; however, more than one location may be included in a single application.

Requests to lay additional line or lines, not included in an initial permit application, must be made by separate application, with new permit fees paid accordingly and support data provided.



Planning Department

Anthony Uresti
Director of Planning

Main Office

2818 S. Business Hwy 281
Edinburg, Texas 78539
Phone (956) 318-2840

Precinct No. 1 Substation

1900 Joe Stephens Ave. Ste. A
Weslaco, TX 78596
Phone (956) 968-4734

Precinct No. 3 Substation

2401 N. Moorefield Road
Mission, Texas 78572
Phone (956) 205-7045

PIPELINE AND UTILITY PERMIT APPLICATION PACKET

Permit fees may be waived where Applicant is a state, county, municipality, or a special political subdivision.

13. The Applicant is allowed one hundred twenty days (120) from the granting of the permit to start construction of the pipelines or utilities crossings. Once started, the Applicant is allowed ninety (90) days to complete all work under such permit. All construction must be completed within two hundred ten (210) days from the date of issuance of permit. Upon application, extension of the time periods set forth in this paragraph may be granted by the Hidalgo County Commissioners Court. Such applications for extension must be received by HCPD at least thirty days before the expiration of the two hundred ten (210) days period. A new permit fee, in accordance with Paragraph 12 hereof, will be charged for each extension granted.

Construction of any pipeline or utility crossing will not begin until written approval has been given by HCPD.

14. All provisions of the Pipeline and Utility Permit Administration Policy of Hidalgo County, if any, and all amendments thereto, are hereby incorporated herein as part of the terms and conditions of this permit for all purposes.
15. Applicant warrants and represents that it has secured from all fee owners of the involved property an easement or other property rights to construct, repair or modify the pipeline or utility in the manner set forth herein.
16. This Pipeline and Utility Permit if granted by Hidalgo County is subject to any and all other requirements, specifications and conditions listed in Exhibit A attached hereto.
17. Hidalgo County requires all coordinates of all utility crossings. Horizontal datum to be in NAD 83 State Plane Texas South 4205 feet and vertical datum in NAVD 88 Geoid 12a.



**Planning
Department**

Anthony Uresti
Director of Planning

Main Office

2818 S. Business Hwy 281
Edinburg, Texas 78539
Phone (956) 318-2840

Precinct No. 1 Substation

1900 Joe Stephens Ave. Ste. A
Weslaco, TX 78596
Phone (956) 968-4734

Precinct No. 3 Substation

2401 N. Moorefield Road
Mission, Texas 78572
Phone (956) 205-7045

PIPELINE AND UTILITY PERMIT APPLICATION PACKET

18. This permit constitutes the entire agreement between the parties with regard to the subject matter hereof, and all prior agreements, representations, and negotiations between the parties regarding the subject matter are hereby superseded. This permit shall not be altered or amended except by an agreement in writing executed by the parties hereto.

19. Applicant warrants and represents that its undersigned representative has full authority to bind Applicant to the terms and conditions of the foregoing Application and Agreement for Pipeline or Utility Permit.

DATED this 24th day of April, 2024.

Christy Sanchez

(Name of Applicant – Printed or Typed)

By: *Christy Sanchez*
Signature

Title: New Accounts Supervisor

STATE OF TEXAS
COUNTY OF HIDALGO



SUBSCRIBED AND SWORN TO before me the Applicant,
Christy Sanchez, on this 24th day of April, 2024,
to which witness my hand and seal of office.

Juan Elizondo
Notary Public for the State of Texas
My Commission Expires: 7-5-27



**Planning
Department**

Anthony Uresti
Director of Planning

Main Office

2818 S. Business Hwy 281
Edinburg, Texas 78539
Phone (956) 318-2840

Precinct No. 1 Substation

1900 Joe Stephens Ave. Ste. A
Weslaco, TX 78596
Phone (956) 968-4734

Precinct No. 3 Substation

2401 N. Moorefield Road
Mission, Texas 78572
Phone (956) 205-7045

PIPELINE AND UTILITY PERMIT APPLICATION PACKET

**APPROVAL OF APPLICATION BY
HIDALGO COUNTY PLANNING DEPARTMENT**

Came on for consideration this _____ day of _____,
20____. The above and foregoing Application for Pipeline and Utility
Permit, and after consideration of the same by the Hidalgo County
Commissioners Court, said Application and Agreement for Pipeline or
Utility Permit is hereby APPROVED.

HIDALGO COUNTY:

Richard F. Cortez, County Judge



Planning Department

Anthony Uresti
Director of Planning

Main Office

2818 S. Business Hwy 281
Edinburg, Texas 78539
Phone (956) 318-2840

Precinct No. 1 Substation

1900 Joe Stephens Ave. Ste. A
Weslaco, TX 78596
Phone (956) 968-4734

Precinct No. 3 Substation

2401 N. Moorefield Road
Mission, Texas 78572
Phone (956) 205-7045

PIPELINE AND UTILITY PERMIT APPLICATION PACKET

EXHIBIT A

(Please insert description of project location and supporting documents for proposed utility work)



CERTIFICATE OF LIABILITY INSURANCE

DATE (MM/DD/YYYY)
04/18/24

THIS CERTIFICATE IS ISSUED AS A MATTER OF INFORMATION ONLY AND CONFERS NO RIGHTS UPON THE CERTIFICATE HOLDER. THIS CERTIFICATE DOES NOT AFFIRMATIVELY OR NEGATIVELY AMEND, EXTEND OR ALTER THE COVERAGE AFFORDED BY THE POLICIES BELOW. THIS CERTIFICATE OF INSURANCE DOES NOT CONSTITUTE A CONTRACT BETWEEN THE ISSUING INSURER(S), AUTHORIZED REPRESENTATIVE OR PRODUCER, AND THE CERTIFICATE HOLDER.

IMPORTANT: If the certificate holder is an ADDITIONAL INSURED, the policy(ies) must be endorsed. If SUBROGATION IS WAIVED, subject to the terms and conditions of the policy, certain policies may require an endorsement. A statement on this certificate does not confer rights to the certificate holder in lieu of such endorsement(s).

PRODUCER
Lujan Insurance Agency
PO Box 704
Pharr, TX 78577

CONTACT NAME: Javier Lujan
PHONE (A/C No, Ext): (956) 783-1165 **FAX (A/C No):** 956-702-1865
E-MAIL ADDRESS:
INSURER(S) AFFORDING COVERAGE
INSURER A: BURNS & WILCOX
INSURER B: TEXAS MUTUAL
INSURER C:
INSURER D:
INSURER E:
INSURER F:

INSURED
JOSE BURNIAS
BURNIAS CONTRUCTION
904 PALOMA DR
SAN JUAN, TX 78589

COVERAGES**CERTIFICATE NUMBER:****REVISION NUMBER:**

THIS IS TO CERTIFY THAT THE POLICIES OF INSURANCE LISTED BELOW HAVE BEEN ISSUED TO THE INSURED NAMED ABOVE FOR THE POLICY PERIOD INDICATED. NOTWITHSTANDING ANY REQUIREMENT, TERM OR CONDITION OF ANY CONTRACT OR OTHER DOCUMENT WITH RESPECT TO WHICH THIS CERTIFICATE MAY BE ISSUED OR MAY PERTAIN, THE INSURANCE AFFORDED BY THE POLICIES DESCRIBED HEREIN IS SUBJECT TO ALL THE TERMS, EXCLUSIONS AND CONDITIONS OF SUCH POLICIES. LIMITS SHOWN MAY HAVE BEEN REDUCED BY PAID CLAIMS.

INSR LTR	TYPE OF INSURANCE	ADDL INSR	SUBR WVD	POLICY NUMBER	POLICY EFF (MM/DD/YYYY)	POLICY EXP (MM/DD/YYYY)	LIMITS
A	GENERAL LIABILITY	x		3AA585428	07/18/23	07/18/24	EACH OCCURRENCE \$ 1,000,000 DAMAGE TO RENTED PREMISES (Ea occurrence) \$ 100,000 MED EXP (Any one person) \$ 5,000 PERSONAL & ADV INJURY \$ 1,000,000 GENERAL AGGREGATE \$ 2,000,000 PRODUCTS - COMP/OP AGG \$ 2,000,000 \$
	<input checked="" type="checkbox"/> COMMERCIAL GENERAL LIABILITY <input checked="" type="checkbox"/> CLAIMS-MADE <input type="checkbox"/> OCCUR GEN'L AGGREGATE LIMIT APPLIES PER <input type="checkbox"/> POLICY <input type="checkbox"/> PRO-JECT <input type="checkbox"/> LOC						COMBINED SINGLE LIMIT (Ea accident) \$ BODILY INJURY (Per person) \$ BODILY INJURY (Per accident) \$ PROPERTY DAMAGE (Per accident) \$ \$
	AUTOMOBILE LIABILITY <input type="checkbox"/> ANY AUTO <input type="checkbox"/> ALL OWNED AUTOS <input type="checkbox"/> HIRED AUTOS <input type="checkbox"/> SCHEDULED AUTOS <input type="checkbox"/> NON-OWNED AUTOS						EACH OCCURRENCE \$ AGGREGATE \$ \$
	UMBRELLA LIAB <input type="checkbox"/> OCCUR EXCESS LIAB <input type="checkbox"/> CLAIMS-MADE DED <input type="checkbox"/> RETENTION \$						WC STATUTORY LIMITS <input type="checkbox"/> OTHER <input type="checkbox"/> E.L. EACH ACCIDENT \$ 1,000,000 E.L. DISEASE - EA EMPLOYEE \$ 1,000,000 E.L. DISEASE - POLICY LIMIT \$ 1,000,000
B	WORKERS COMPENSATION AND EMPLOYERS' LIABILITY ANY PROPRIETOR/PARTNER/EXECUTIVE OFFICER/MEMBER EXCLUDED? (Mandatory in NH) <input type="checkbox"/> Y <input type="checkbox"/> N <input type="checkbox"/> N/A If yes, describe under DESCRIPTION OF OPERATIONS below			0002088732	01/26/24	01/26/25	

DESCRIPTION OF OPERATIONS / LOCATIONS / VEHICLES (Attach ACORD 101, Additional Remarks Schedule, if more space is required)

CERTIFICATE HOLDER

HIDALGO COUNTY PLANNING DEPARTMENT
2818 S BUS HWY 281
EDINBURG, TEXAS 78539

CANCELLATION

SHOULD ANY OF THE ABOVE DESCRIBED POLICIES BE CANCELLED BEFORE THE EXPIRATION DATE THEREOF, NOTICE WILL BE DELIVERED IN ACCORDANCE WITH THE POLICY PROVISIONS.

AUTHORIZED REPRESENTATIVE

© 1988-2010 ACORD CORPORATION. All rights reserved.

GENERAL SUBDIVISION PLAT NOTES:

- FLOOD ZONE STATEMENT:**
FLOOD ZONE DESIGNATION: ZONE " B "
- ZONE "B"**
AREAS BETWEEN LIMITS OF THE 100-YEAR FLOOD AND 500-YEAR FLOOD OR CERTAIN AREAS SUBJECT TO 100-YEAR FLOODING WITH AVERAGE DEPTHS LESS THAN ONE (1) FOOT OR WHERE THE CONTRIBUTING DRAINAGE AREA IS LESS THAN ONE SQUARE MILE OR AREAS PROTECTED BY LEVEES FROM THE BASE FLOOD. COMMUNITY-PANEL NO. 480334 0425 C MAP REVISED: NOVEMBER 16, 1982
- THE AREAS WITHIN THE DRAINAGE EASEMENTS AND THE PROPOSED STREET RIGHT-OF-WAY ARE WITHIN THE 100-YEAR FLOOD PLAN, COMMUNITY-PANEL NO. 480334 0425 C MAP REVISED: NOVEMBER 16, 1982 OF THE FEDERAL EMERGENCY MANAGEMENT AGENCY MAPS FOR HIDALGO COUNTY, TEXAS AND THE LOCAL FLOOD PLAN ADMINISTRATOR HAVE IDENTIFIED NO OTHER AREAS AS SHOWN ON THIS PLAT ARE WITHIN THE PROPOSED SUBDIVISION TO BE WITHIN THE 100-YEAR FLOOD PLAN.**
- CONSTRUCTION OF RESIDENTIAL HOUSING WITHIN ANY AREA OF THE SUBDIVISION THAT IS IN THE 100-YEAR FLOOD PLAN IS PROHIBITED UNLESS THE HOUSING QUALIFIES FOR INSURANCE UNDER THE NATIONAL FLOOD INSURANCE ACT OF 1968 (42 U.S.C. SECTIONS 4001 THROUGH 4127).**
- SETBACKS :**
FRONT: 40.00 FEET OR 1/2 OF THE R.O.W. NOT TO EXCEED 50 FEET.
SIDE : 6.00 FEET OR EASEMENT WHICHEVER IS GREATER
REAR : 15.00 FEET OR EASEMENT WHICHEVER IS GREATER
- MINIMUM FINISH FLOOR ELEVATION SHALL BE 18" ABOVE THE CENTER LINE OF STREET OR 18" ABOVE NATURAL GROUND, WHICHEVER IS GREATER. ELEVATION CERTIFICATE MAY BE REQUIRED FOR LOTS LOCATED OUTSIDE A DESIGNATED FLOOD ZONE AT THE TIME OF APPLICATION FOR CONSTRUCTION TO VERIFY PRE AND POST CONSTRUCTION FINISHED FLOOR ELEVATIONS. AN ELEVATION CERTIFICATE SHALL BE REQUIRED FOR ALL LOTS WITHIN A DESIGNATED FLOOD ZONE AT THE TIME FOR DEVELOPMENT PERMIT APPLICATION. MINIMUM FINISH FLOOR ELEVATION SHALL BE 93.50**
- THE FOLLOWING BENCHMARKS ARE IDENTIFIED ON THE FACE OF THE PLAT AND ON THE ATTACHED ENGINEERING PLANS.
BENCH MARK : ELEVATION = 90.81 TOP OF GRATED INLET LOCATED 100 FEET EAST OF SUBDIVISION.**
- NO MORE THAN ONE SINGLE FAMILY DETACHED DWELLING SHALL BE LOCATED ON THE LOT. THIS MUST BE STIPULATED ON ALL DEEDS AND CONTRACTS FOR DEEDS. APPLICATIONS FOR CONSTRUCTION ARE REQUIRED PRIOR TO OCCUPANCY OF THE LOT.**
- NO STRUCTURE SHALL BE PERMITTED OVER ANY EASEMENT, EASEMENTS SHALL BE KEPT CLEAR OF BUILDINGS, SHEDS, SHRUBS, TREES AND OTHER PLANTINGS EXCEPT LOW, LESS THAN 18 INCHES MATURE HEIGHT, GROUND COVER, GRASS, OR FLOWERS) AND OTHER OBSTRUCTIONS THAT WOULD INTERFERE WITH THE OPERATIONS AND MAINTENANCE OF THE EASEMENT.**
- ALL LOT CORNERS HAVE BEEN SET WITH 1/2" IRON ROD WITH YELLOW CAP STAMPED RPLS # 4541, OR AS NOTED.**
- EACH PURCHASE CONTRACT MADE BETWEEN A SUBDIVIDER AND PURCHASER OF A LOT IN THIS SUBDIVISION SHALL CONTAIN A STATEMENT DESCRIBING HOW AND WHEN WATER, SEWER, ELECTRICITY, AND GAS SERVICES WILL BE MADE AVAILABLE TO THE SUBDIVISION.**
- ALL PUBLIC UTILITIES EASEMENTS DEDICATED BY THIS PLAT SHALL BE A MINIMUM WIDTH OF 15.00 FEET AS PER THE HIDALGO COUNTY MODEL SUBDIVISION RULES BY SIGNING THIS PLAT, DEVELOPER AND ENGINEER CERTIFY THAT ALL OTHER EASEMENTS SHOWN COMPLY WITH THE SIZE REQUIRED BY EACH UTILITY PROVIDER OCCUPANCY AN EASEMENT.**
- IN ACCORDANCE WITH THE HIDALGO COUNTY DRAINAGE DISTRICT NO.1 AND HIDALGO COUNTY REQUIREMENTS, THIS DEVELOPMENT WILL BE REQUIRED TO DETAIN A TOTAL OF 2269 CUBIC FEET 0.052 ACRE-FOOT OF STORM WATER RUNOFF, DRAINAGE RETENTION IN ACCORDANCE WITH THE LOCAL REQUIREMENTS WILL BE ACCOMPLISHED AS FOLLOWS: (SEE SHEET NO. 2 FOR STORM SEWER IMPROVEMENTS).**
- ON SITE SEWAGE FACILITIES (OSSF) NOTE : THIS SUBDIVISION SHALL USE ON SITE SEWAGE FACILITIES IN ACCORDANCE WITH TCEQ AND HIDALGO COUNTY REGULATIONS FOR SEWAGE DISPOSAL THE SUBDIVIDER IS RESPONSIBLE FOR PROVIDING AN OSSF ON ALL LOTS.**
A. OSSF SYSTEM IS BEING DESIGNED FOR DISPOSAL OF DOMESTIC SEWERAGE ONLY.
B. EACH LOT ON THIS PLAT COMPLIES WITH MINIMUM 21,780 SQUARE FEET LOT AREA WITH POTABLE WATER SUPPLY.
C. OSSF SYSTEM SHALL REQUIRE INSPECTION AND APPROVAL BY HIDALGO COUNTY AUTHORIZED DEPARTMENT.
D. SOIL ANALYSIS HAVE BEEN SUBMITTED TO THE AUTHORIZED HIDALGO COUNTY DEPARTMENT AND EXCERPTS MAY BE ALSO SEEN ON THE UTILITY LAYOUT FOR THIS SUBDIVISION AS SUBMITTED TO THE HIDALGO COUNTY PLANNING DEPARTMENT. THE ENGINEER HAS DETERMINED THAT THE SOIL IS SUITABLE FOR A STANDARD SEPTIC TANK AND ABSORPTIVE DRAIN FIELD SYSTEM.
E. APPROVED "OSSF" PERMIT APPLICATION IS REQUIRED INCLUDING INDIVIDUAL LOT PLANNING MATERIALS PRIOR TO OCCUPANCY A LOT.
F. THERE ARE NO WATER WELLS WITHIN 150 FT. FROM THE BOUNDARIES ON THIS SUBDIVISION.
G. A SPECIAL DESIGN IS REQUIRED FOR ALL OSSF SYSTEMS LOCATED WITHIN A DESIGNATED FLOOD ZONE. THE DESIGN SHALL INCLUDE BUT NOT BE LIMITED TO THE FOLLOWING ITEMS:
ANCHORING OF SEPTIC TANK(S) BACK FLOW VALVES SEPTIC TANK COVER SHALL BE ABLE TO SEAL.

- DAVID DIAZ AND ERIVERTO DIAZ, THE OWNERS & SUBDIVIDER OF DIAZ GAME FARM SUBDIVISION, RETAINS A BLANKET EASEMENT UPON EACH LOT FOR THE PURPOSE OF INSTALLING AND APPROVED OSSF ON THE LOT AS DESCRIBED ON SHEET NO. 2 OF THIS PLAT.**
- THE DEVELOPER SHALL BE RESPONSIBLE FOR DETAINING AND ACCOMMODATING MORE THAN THE DETAINED VOLUME SHOWN ON THIS PLAT IF IT IS DETERMINED, AT THE DEVELOPMENT STAGE, THAT THE DETENTION REQUIREMENTS ARE GREATER THAN STATED ON THIS PLAT, DUE TO THE IMPERVIOUS AREA BEING GREATER THAN THE PLAT ENGINEER CONSIDERED IN THE HYDRAULIC CALCULATIONS FOR THIS SUBDIVISION.**
- THE PURCHASER OF EACH LOT SHALL BE RESPONSIBLE TO INSTALL A DRIVEWAY CULVERT REINFORCED CONCRETE PIPE OF NO LESS THAN 15 INCHES IN DIAMETER AND 24 FEET IN LENGTH.**
- ALL LOTS SHALL HAVE A POST DEVELOPMENT FINISHED GRADE FROM THE REAR OF THE CURB AND OR ROADSIDE DITCH AT A 0.25% SLOPE TO ACCOMPLISH POSITIVE DRAINAGE. THIS IS IN ACCORDANCE WITH HIDALGO COUNTY APPENDIX 5: COUNTY CONSTRUCTION SPECIFICATIONS 3.1.4.**
- ALL CONSTRUCTION SHALL COMPLY WITH STORMWATER POLLUTION PREVENTION PLAN (SW3P) REQUIREMENTS. EROSION AND SEDIMENTATION CONTROLS CONSTRUCTED IN ACCORDANCE WITH STORMWATER ORDINANCE 98.30 OF THE CITY OF EDINBURG ARE REQUIRED FOR ALL CONSTRUCTION ON EACH LOT INCLUDING SINGLE FAMILY AND DUPLEX/MULTI-FAMILY CONSTRUCTION.**

LOCATION MAP

SCALE: 1" = 500'



LOCATION OF SUBDIVISION WITH RESPECT TO THE EXTRATERRITORIAL JURISDICTION OF A MUNICIPALITY :

DIAZ GAME FARM SUBDIVISION, IS LOCATED WITHIN HIDALGO COUNTY PRECINT NO.1 ON THE EAST SIDE OF HIDALGO COUNTY, APPROXIMATELY 990.00 FT. SOUTH OF THE INTERSECTION OF TOWER ROAD AND TRENTON ROAD AND 774 FT. WEST AND ON NORTH SIDE OF WEST ROAD. THE ONLY NEARBY MUNICIPALITY IS THE CITY OF EDINBURG, ACCORDING TO THE U.S. CENSUS BUREAU, THE 2021 POPULATION ESTIMATE IS 75,000.00. DIAZ GAME FARM SUBDIVISION FALLS WITHIN THE 5 MILE ELSA EXTRATERRITORIAL JURISDICTION (ETJ), UNDER LOCAL GOVERNMENT CODE 212-001

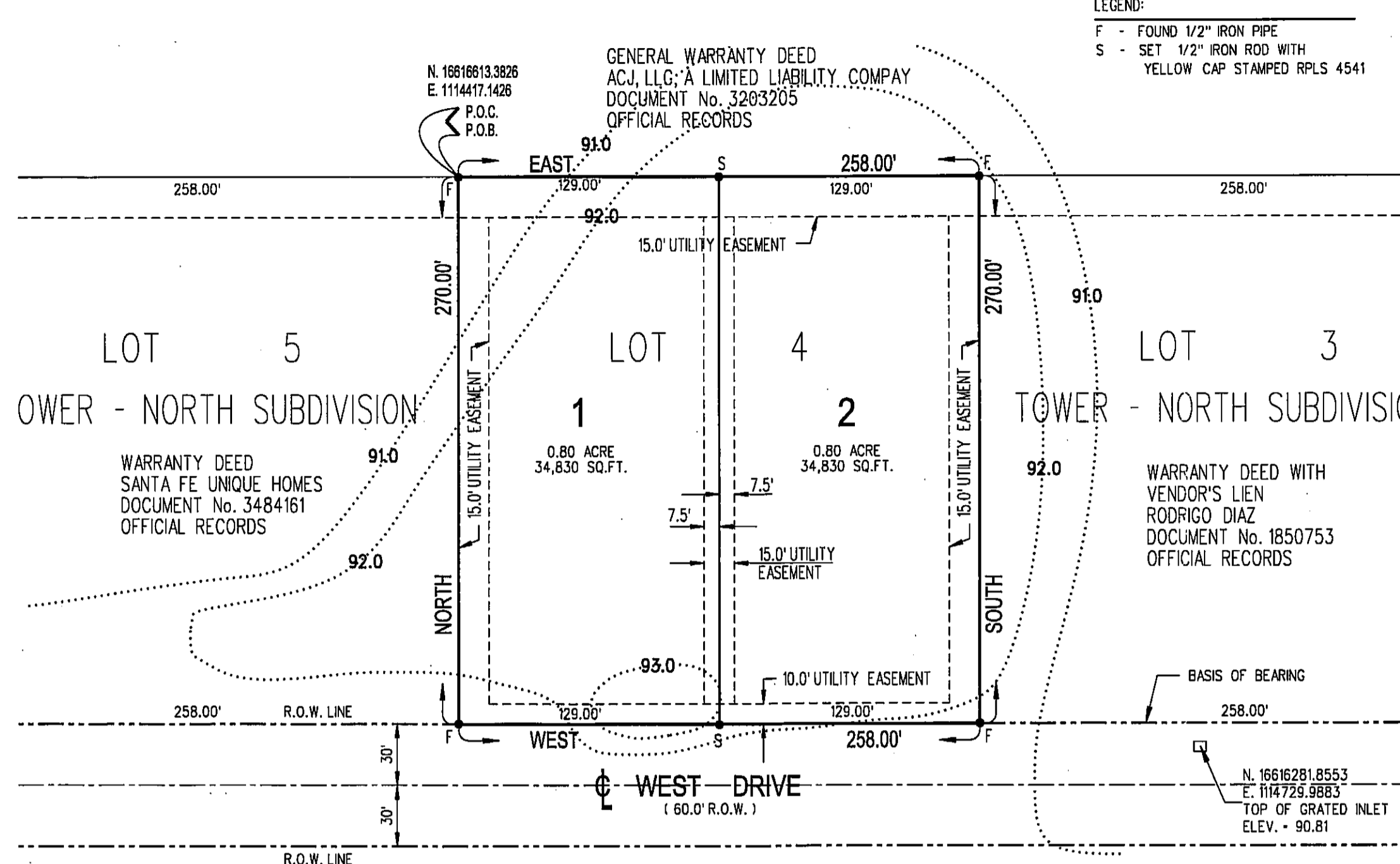
PRINCIPAL CONTACTS:

NAME	ADDRESS	PHONE & FAX
OWNER: DAVID DIAZ	208 W. MILE 15 NORTH, WESLACO, TX. 78596	(956) 975-5607
ENGINEER: PABLO SOTO JR. P.E.	1208 S. IRONWOOD PHARR, TX. 78577	(956) 460-1605
SURVEYOR: PABLO SOTO JR. R.P.L.S.	1208 S. IRONWOOD PHARR, TX. 78577	(956) 460-1605

PLAT OF DIAZ GAME FARM SUBDIVISION

A 1.60 ACRE TRACT OF LAND BEING ALL OF LOT 4, TOWER-NORTH SUBDIVISION, HIDALGO COUNTY, TEXAS, AS PER MAP RECORDED IN VOLUME 23, PAGE 169A, MAP RECORDS OF HIDALGO COUNTY, TEXAS.

PREPARED BY : PABLO SOTO JR. P.E. DATE : APRIL 24, 2023



RIGHT OF WAY EASEMENT
KNOW ALL MEN BY THESE PRESENTS: THAT THE UNDERSIGNED, OWNERS OF PROPERTY SHOWN ON THE PLAT, THEIR SUCCESSORS, ASSIGNS, AND TRANSFERREES (HEREINAFTER CALLED "GRANTOR" WHETHER ONE OR MORE PERSONS ARE NAMED), IN CONSIDERATION OF ONE DOLLAR (\$1.00) AND OTHER GOOD AND VALUABLE CONSIDERATION PAID BY NORTH ALAMO WATER SUPPLY CORPORATION, (HEREINAFTER CALLED "GRANTEE"), THE RECEIPT AND SUFFICIENCY OF WHICH IS HEREBY ACKNOWLEDGED, DOES HEREBY GRANT, BARGAIN, SELL, TRANSFER AND CONVEY TO SAID GRANTEE, ITS SUCCESSORS, AND ASSIGNS AN EXCLUSIVE PERPETUAL EASEMENT WITH THE RIGHT TO ERECT, CONSTRUCT, INSTALL AND THEREAFTER USE, OPERATE, INSPECT, REPAIR, MAINTAIN, REPLACE AND REMOVE WATER DISTRIBUTION LINES AND APPURTENANCES OVER AND ACROSS LANDS SHOWN ON THIS PLAT, TOGETHER WITH THE RIGHT OF INGRESS AND EGRESS OVER GRANTOR'S ADJACENT LANDS OF THE PURPOSE FOR WHICH THE ABOVE MENTIONED RIGHTS ARE GRANTED. THE EASEMENT HEREBY GRANTED SHALL NOT EXCEED 15' IN WIDTH, AND GRANTEE IS HEREBY AUTHORIZED TO DESIGNATE THE COURSE OF THE EASEMENT HEREIN CONVEYED EXCEPT THAT WHEN THE PIPELINE IS INSTALLED, THE EASEMENT HEREIN GRANTED SHALL BE LIMITED TO A STRIP OF LAND 15' IN WIDTH, THE CENTER LINE THEREOF BEING THE PIPELINE INSTALLED.

IN THE EVENT THE EASEMENT HEREBY GRANTED ADJUTS ON A PUBLIC ROAD AND THE CITY, COUNTY OR STATE HEREAFTER WIDENS OR RELOCATES THE PUBLIC ROAD SO AS TO REQUIRE THE RELOCATION OF THIS WATER LINE AS INSTALLED, GRANTEE FURTHER GRANTS TO GRANTEE AN ADDITIONAL EASEMENT OVER AND ACROSS THE LAND SHOWN ON THIS PLAT FOR THE PURPOSE OF LATERALLY RELOCATE SAID WATER LINE AS MAY BE NECESSARY TO CLEAR THE ROAD IMPROVEMENTS, WHICH EASEMENT HEREBY GRANTED SHALL BE LIMITED TO A STRIP OF LAND 15' IN WIDTH, THE CENTER LINE THEREOF BEING THE PIPELINE AS RELOCATED.

THE CONSIDERATION RECITED HEREIN SHALL CONSTITUTE PAYMENT IN FULL FOR ALL DAMAGES SUSTAINED BY GRANTEE BY REASON OF THE INSTALLATION, MAINTENANCE, REPAIR, REPLACEMENT AND RELOCATION OF THE STRUCTURES REFERRED HEREIN, THIS AGREEMENT TOGETHER WITH OTHER PROVISIONS OF THIS GRANT SHALL CONSTITUTE AN EASEMENT FOR THE BENEFIT OF THE GRANTEE, ITS SUCCESSORS, AND ASSIGNS. THE GRANTEE CONVEYANTS THAT IT IS THE OWNER OF THE ABOVE-DESCRIBED LANDS AND THAT SAID LANDS ARE FREE AND CLEAR OF ALL ENCUMBRANCES AND LIENS EXCEPT THE FOLLOWING:

THE EASEMENT CONVEYED HEREIN WAS OBTAINED OR IMPROVED THROUGH FEDERAL FINANCIAL ASSISTANCE. THIS EASEMENT IS SUBJECT TO THE PROVISIONS OF TITLE VI OF THE CIVIL RIGHTS ACT OF 1964 AND THE REGULATIONS ISSUED PURSUANT THERETO FOR SO LONG AS THE EASEMENT CONTINUES TO BE USED FOR THE SAME OR SIMILAR PURPOSE FOR WHICH FINANCIAL ASSISTANCE WAS EXTENDED OR FOR SO LONG AS THE GRANTEE OWNS IT, WHICHEVER IS LONGER.

IN WITNESS WHEREOF, the SAID GRANTOR HAS EXECUTED THIS INSTRUMENT THE _____ DAY OF _____, 2023.

DAVID DIAZ ERIVERTO DIAZ

HIDALGO COUNTY CERTIFICATE OF PLAT APPROVAL

I, THE UNDERSIGNED CERTIFY THAT THIS PLAT OF DIAZ GAME FARM SUBDIVISION WAS REVIEWED AND APPROVED BY THE HIDALGO COUNTY HEALTH DEPARTMENT ON _____, 2023.

ENVIRONMENT HEALTH DIVISION MANAGER DATE

STATE OF TEXAS COUNTY OF HIDALGO

I, THE UNDERSIGNED CERTIFY THAT THIS PLAT OF DIAZ GAME FARM SUBDIVISION WAS REVIEWED AND APPROVED BY THE HIDALGO COUNTY COMMISSIONERS COURT ON _____, 2023.

HIDALGO COUNTY JUDGE DATE

ATTEST: HIDALGO COUNTY CLERK DATE

HIDALGO COUNTY IRRIGATION DISTRICT No. 2 CERTIFICATE

THIS PLAT IS HEREBY APPROVED BY HIDALGO COUNTY IRRIGATION DISTRICT No. 2 ON THIS THE _____ DAY OF _____, 2023.

NO IMPROVEMENTS OF ANY KIND (INCLUDING WITHOUT LIMITATION, TREES, FENCES AND BUILDINGS) SHALL BE PLACED UPON HIDALGO COUNTY IRRIGATION DISTRICT No. 2 RIGHT OF WAY OR EASEMENTS.

PRESIDENT SECRETARY

INDEX OF SHEETS FOR : DIAZ GAME FARM SUBDIVISION

SHEET	DESCRIPTION
SHEET 1	LOCATION MAP, PRINCIPAL CONTACTS, PLAT WITH LOT DIMENSIONS AND EASEMENT DESIGNATIONS, LEGAL DESCRIPTION (METES AND BOUNDS), SURVEYOR'S AND ENGINEER'S CERTIFICATION, PLAT NOTES AND RESTRICTIONS, OWNER'S DEDICATION CERTIFICATION, AND ATTESTATION, CITY APPROVAL CERTIFICATE, COUNTY CLERK'S RECORDING CERTIFICATION, HIDALGO COUNTY CERTIFICATE OF PLAT APPROVAL, DESCRIPTION OF LOCATION OF SUBDIVISION WITH RESPECT TO THE E.T.J. OF A MUNICIPALITY AND DESIGNATE THE PRECINCT THE PROJECT IS SITUATED, H.C.D. CERTIFICATION, IRRIGATION DISTRICT CERTIFICATE OF APPROVAL, RIGHT OF WAY CERTIFICATION, H.C.D. CERTIFICATION AND REVISION NOTES.
SHEET 2	WATER IMPROVEMENTS AND SANITARY SEWER (OSSF) MAP, ENGINEERING REPORT (ENGLISH AND SPANISH VERSION), INCLUDING DESCRIPTION OF WATER AND SANITARY SEWER (OSSF) AND ENGINEER'S CERTIFICATION (ENGLISH AND SPANISH VERSION) SAMPLE OF LOG BORE FOR OSSF SYSTEM, TYPICAL WATER SERVICE CONNECTION, SUBDIVIDER CERTIFICATE AND STATEMENT.
	DRAINAGE REPORT INCLUDING DESCRIPTION OF DRAINAGE AND HOW IT WILL SERVE THIS DEVELOPMENT, MAP OF TOPOGRAPHY AND DRAINAGE AND ENGINEER'S REVISION NOTES, TYPICAL DRAINAGE CROSS SECTION.

THE STATE OF TEXAS COUNTY OF HIDALGO

WE, DAVID DIAZ AND ERIVERTO DIAZ, TOWER - NORTH SUBDIVISION AS SHOWN ON THIS PLAT AND DESIGNATED HEREIN AS DIAZ GAME FARM SUBDIVISION HEREBY SUBDIVIDE THE LAND AS DEPICTED IN THIS SUBDIVISION AND DEDICATED TO THE PUBLIC USE THE STREET, PARK, AND EASEMENTS SHOWN HEREIN.

I CERTIFY THAT I HAVE COMPLIED WITH THE REQUIREMENTS OF TEXAS LOCAL GOVERNMENT CODE 232.032 AND THAT:

- THE WATER QUALITY AND CONNECTIONS TO THE LOT (S) MEET, OR WILL MEET THE MINIMUM STATE STANDARDS.
 - SEWER CONNECTIONS TO THE LOT (S) OR SEPTIC TANK (S) MEET, OR WILL MEET THE MINIMUM STATE STANDARDS.
 - ELECTRICAL CONNECTIONS PROVIDED TO THE LOT (S) MEET, OR WILL MEET, THE MINIMUM STATE STANDARDS.
 - GAS CONNECTION, IF AVAILABLE, PROVIDED TO THE LOT (S) MEET, OR WILL MEET THE MINIMUM STATE STANDARDS.
- I ATTEST THAT THE MATTERS ASSERTED IN THIS PLAT ARE AND COMPLETE.

DAVID DIAZ 4523 S. TOWER ROAD EDINBURG, TEXAS 78541
ERIVERTO DIAZ 4523 S. TOWER ROAD EDINBURG, TEXAS 78541

THE STATE OF TEXAS - COUNTY OF HIDALGO PUBLIC NOTARY CERTIFICATE

BEFORE ME, THE UNDERSIGNED NOTARY PUBLIC, ON THIS DAY PERSONALLY APPEARED DAVID DIAZ AND ERIVERTO DIAZ PROVED THROUGH THEIR TEXAS DEPARTMENT OF PUBLIC SAFETY DRIVER LICENSES TO BE THE PERSONS WHOSE NAMES ARE SUBSCRIBED TO THE FOREGOING INSTRUMENT, WHO, BEING BY ME FIRST DULY SWORN, DECLARED THAT THE STATEMENTS THEREIN ARE TRUE AND CORRECT AND ACKNOWLEDGED THAT THEY EXECUTED THE SAME FOR THE PURPOSES AND CONSIDERATION THEREIN EXPRESSED.

GIVEN UNDER MY HAND AND SEAL OF OFFICE THIS _____ DAY OF _____, 2023.
NOTARY PUBLIC MY COMMISSION EXPIRES _____

CITY OF EDINBURG CERTIFICATE OF PLAT APPROVAL UNDER LOCAL GOVERNMENT CODE §232.028(a)

I, THE UNDERSIGNED, THE MAYOR OF CITY OF EDINBURG HEREBY CERTIFY THAT THIS SUBDIVISION PLAT CONFORMS TO ALL REQUIREMENTS OF THE SUBDIVISION REGULATIONS OF THIS CITY WHEREIN MY APPROVAL IS REQUIRED.

MAYOR, CITY OF EDINBURG DATE

THIS SUBDIVISION PLAT OF DIAZ GAME FARM SUBDIVISION HAS BEEN SUBMITTED TO AND CONSIDERED BY THE PLANNING AND ZONING COMMISSION OF THE CITY OF EDINBURG AND IS HEREBY APPROVED BY SUCH COMMISSION.
DATED THIS _____ DAY OF _____, 2023 A.D.

CHAIRMAN, PLANNING & ZONING COMMISSION

HIDALGO COUNTY DRAINAGE DISTRICT No.1 CERTIFICATE

HIDALGO COUNTY DRAINAGE DISTRICT No.1 HEREBY CERTIFIES THAT THE DRAINAGE PLANS FOR THIS SUBDIVISION COMPLY WITH THE MINIMUM STANDARDS OR THE DISTRICT ADOPTED UNDER TEXAS WATER CODE SECTION 49.21(C). THE DISTRICT HAS NOT REVIEWED AND DOES NOT CERTIFY THAT THE DRAINAGE STRUCTURES DESCRIBED ARE APPROPRIATE FOR THE SPECIFIC SUBDIVISION, BASED ON GENERALLY ACCEPTED ENGINEERING CRITERIA. IT IS THE RESPONSIBILITY OF THE DEVELOPER OF THE SUBDIVISION AND ITS ENGINEER TO MAKE THESE DETERMINATIONS.

HIDALGO COUNTY DRAINAGE DISTRICT No. ONE DATE
RAUL SESIN, P.E., C.F.M. (GENERAL MANAGER)

SURVEYOR CERTIFICATE

I, THE UNDERSIGNED, STATE THAT THIS PLAT IS AN ACTUAL SURVEY PERFORMED ON THE GROUND UNDER MY SUPERVISION AND THAT THERE ARE NO VISIBLE EASEMENTS OR ENCROACHMENTS EXCEPT AS SHOWN AND THAT ALL CORNERS HAVE BEEN LOCATED AS INDICATED.

DATED THIS THE _____ DAY OF _____, 2023.



PABLO SOTO JR., R.P.L.S. 4541
1208 S. IRONWOOD PHARR, TEXAS 78577
TEL: (956) 460-1605 FAX: (956) 287-4634

ENGINEER CERTIFICATE

I, THE UNDERSIGNED, PABLO SOTO JR., REGISTERED PROFESSIONAL ENGINEER IN THE STATE OF TEXAS, DO HEREBY CERTIFY THAT PROPER ENGINEERING CONSIDERATION HAS BEEN GIVEN TO THIS PLAT AS HEREIN SHOWN.

DATED THIS THE _____ DAY OF _____, 2023.



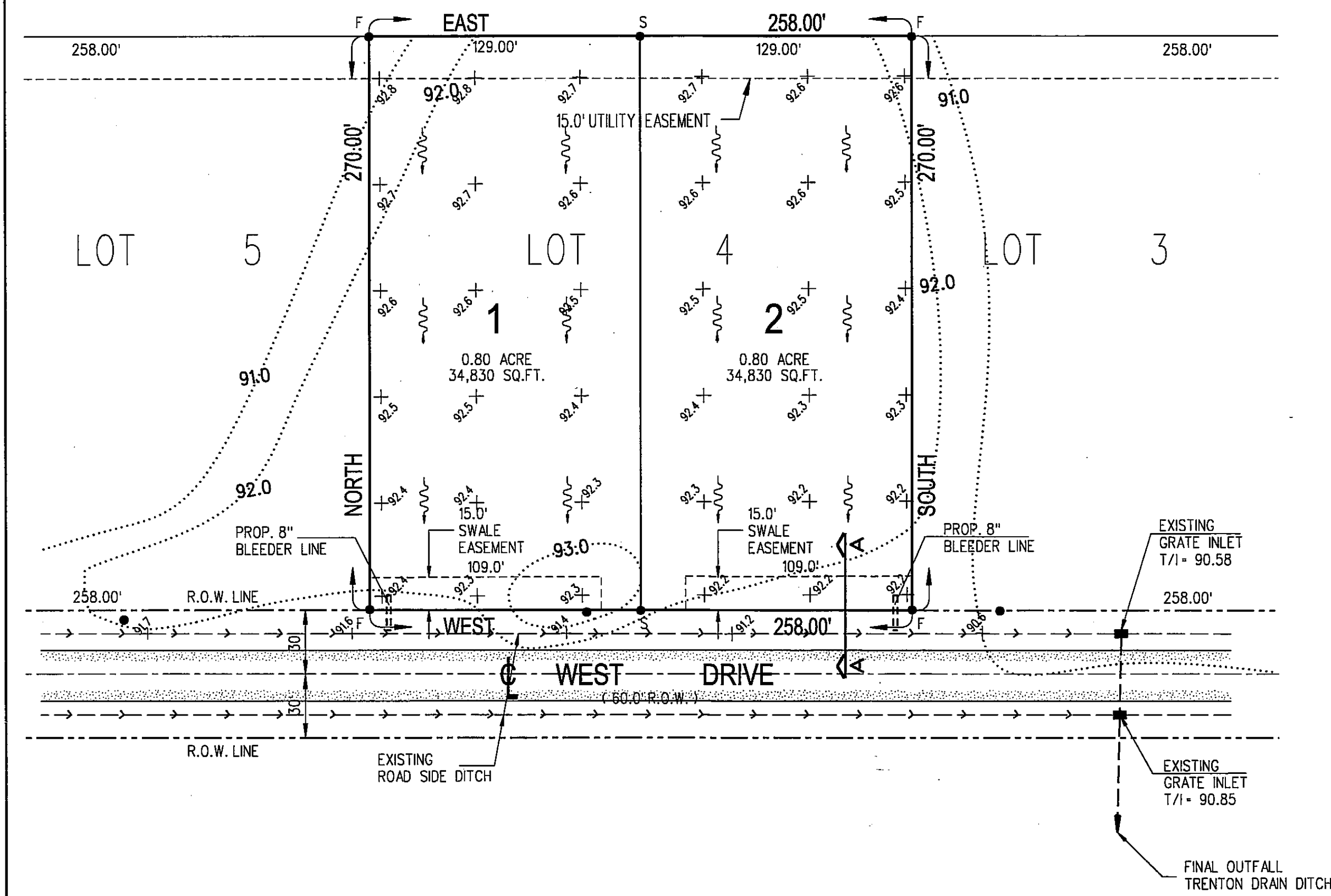
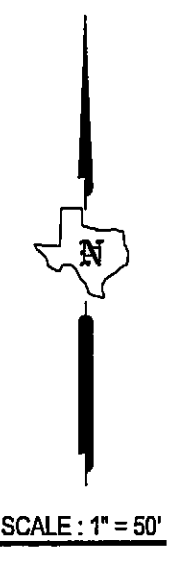
REGISTERED PROFESSIONAL ENGINEER No. 66278

FILED FOR RECORD IN HIDALGO COUNTY ARTURO GUANABAO, JR. HIDALGO COUNTY CLERK

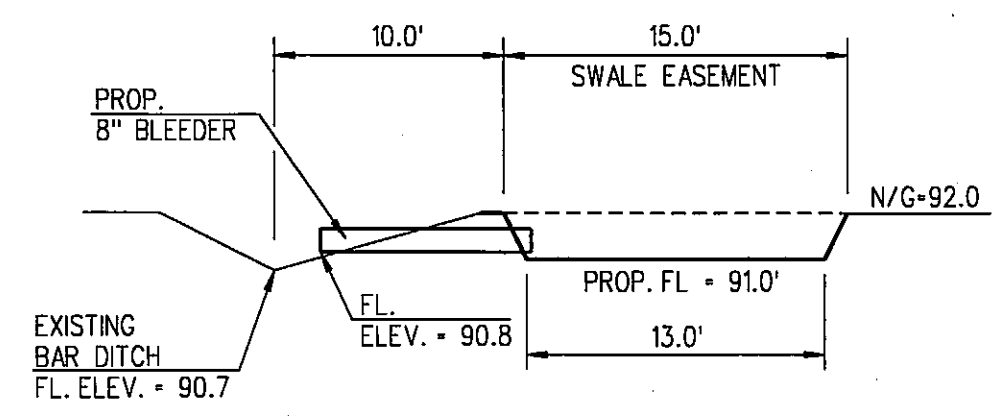
ON _____ AT _____ AM/PM
INSTRUMENT NUMBER OF THE MAP RECORDS OF HIDALGO COUNTY, TEXAS
BY _____ DEPUTY

T.B.P.E. FIRM No. 20208

PABLO SOTO JR. P.E.
1208 S. IRONWOOD STREET TEL: (956) 460-1605 PHARR, TEXAS 78577



DRAINAGE PLAN

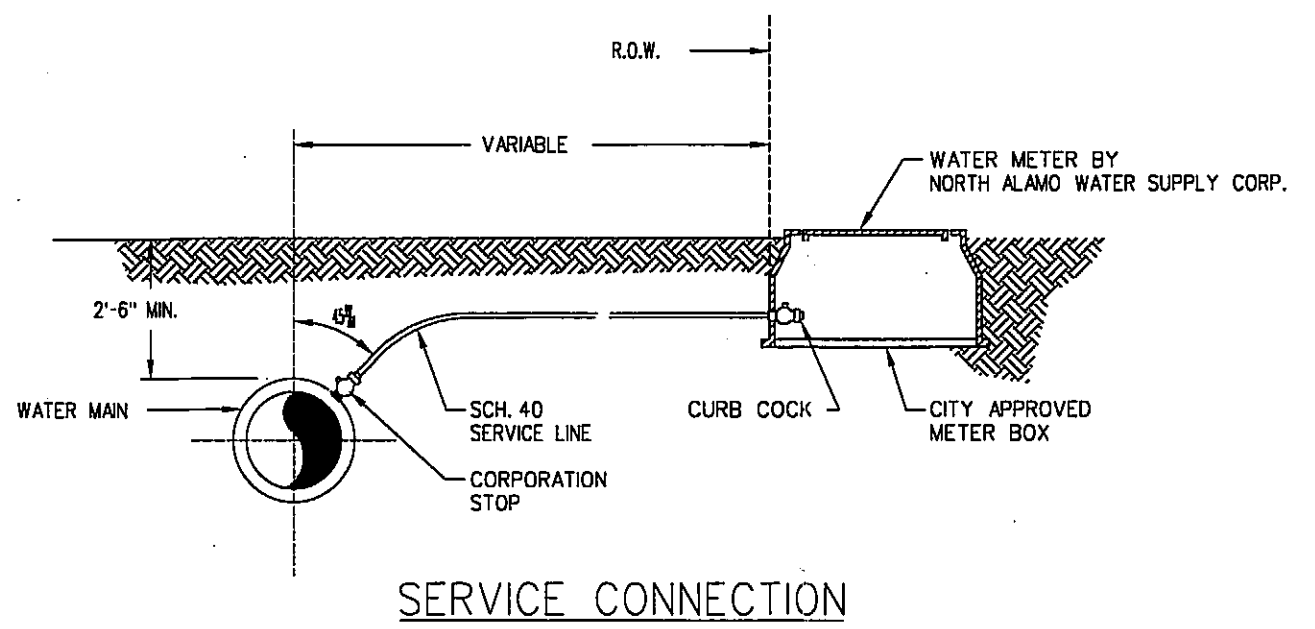


X-SECTION A-A

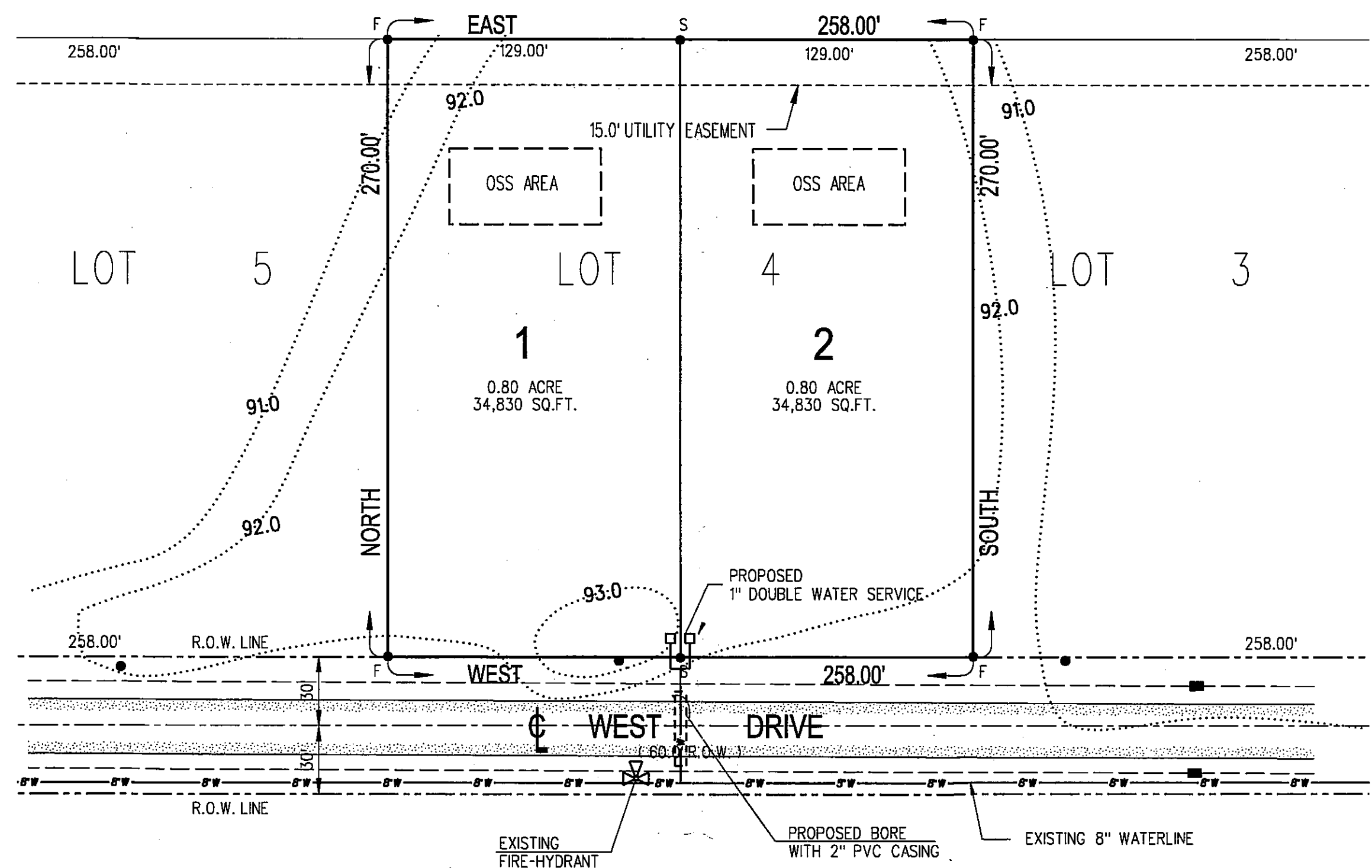
AREA = b x h = 13.0 ft. x 218.0 ft. = 2,834 ft²

DETENTION = 2,834 ft³

TOTAL DETENTION = 2,834 cf OF STORAGE



SERVICE CONNECTION



UTILITY PLAN

FINAL ENGINEERING REPORT FOR DIAZ GAME FARM

WATER SUPPLY FACILITIES DESCRIPTION, COSTS, AND OPERABILITY DATES:

DIAZ GAME FARM WILL BE PROVIDED WITH PORTABLE WATER BY NORTH ALAMO WATER SUPPLY CORP. THE SUBDIVIDER AND NORTH ALAMO WATER SUPPLY CORP. HAVE ENTERED INTO A CONTRACT IN WHICH NORTH ALAMO WATER SUPPLY CORP. HAS PROMISED TO PROVIDE SUFFICIENT WATER TO THE SUBDIVISION FOR AT LEAST 30 YEARS AND NORTH ALAMO WATER SUPPLY CORP. HAS PROVIDED DOCUMENTATION TO SUFFICIENTLY ESTABLISH THE LONG TERM QUANTITY AND QUALITY OF THE AVAILABLE WATER SUPPLIES TO SERVE THE FULL DEVELOPMENT OF THIS SUBDIVISION. NORTH ALAMO WATER SUPPLY CORP. HAS A 2" WATER LINE RUNNING ALONG THE NORTH RIGHT-OF-WAY LINE OF WILEY ROAD. THE SERVICE FOR BUSCH ESTATES WILL CONSIST OF TWO (2) 3/4" SI NOBLE SERVICE LINES RUNNING INTO THE METER BOX. THE OWNER HAS PAID A TOTAL OF \$ 0.00 FOR AFOREMENTIONED WATER DISTRIBUTION SYSTEM. IN ADDITION, THE OWNER HAS PAID NORTH ALAMO WATER SUPPLY CORP. THE SUM \$ 3,500.00 OR \$ 1,750.00 PER LOT FOR THE 30 YEARS WATER SERVICE AGREEMENT WHICH COVERS THE TOTAL COST INCLUDING WATER METER, METER BOX, WATER SUPPLY FEES AND ALL OTHER FEES ASSOCIATED WITH WATER SYSTEM. THE ENTIRE WATER FACILITIES HAVE BEEN APPROVED AND ACCEPTED BY THE NORTH ALAMO WATER SUPPLY CORP. AND SAID SYSTEM WILL BE OPERABLE AS OF THE DATE OF THE RECORDING OF THE FINAL PLAT.

SEWAGE FACILITIES DESCRIPTION, COSTS, AND OPERABILITY DATES:

SEWAGE FROM DIAZ GAME FARM WILL BE TREATED BY INDIVIDUAL ON-SITE SEWAGE FACILITIES ("OSSF") CONSISTING OF A STANDARD DESIGN DUAL COMPARTMENT SEPTIC TANKS AND A DRAIN FIELD ON EACH LOT. THE UNDERSIGNED PROFESSIONAL ENGINEER HAS EVALUATED THE SUITABILITY OF THE SUBDIVISION SITE FOR OSSF AND SUBMITTED A REPORT CONCLUDING THAT THE SITE IS SUITABLE FOR OSSF. THE REPORT WAS REVIEWED AND APPROVED BY THE HIDALGO COUNTY HEALTH DEPARTMENT.

EACH LOT IN THE PROPOSED SUBDIVISION IS AT LEAST 0.50 ACRE IN SIZE. THE UNITED STATES DEPARTMENT OF AGRICULTURE, SOIL CONSERVATION SERVICE SURVEY INDICATES A WILLYAC FINE SANDY LOAM. AND TWO TEST BORINGS WERE MADE AT OPPOSITE AREAS OF THE SUBDIVISION. (ADDITIONAL BORING WERE UNNECESSARY BECAUSE THE SOILS ARE VERY UNIFORM WITHIN THIS LIMITED AREA). THE SOIL IS A WILLYAC FINE SANDY LOAM SOIL EXTENDING MORE THAN 24 INCHES BELOW THE BOTTOM OF PROPOSED EXCAVATIONS. THERE IS NO INDICATION OF GROUND WATER OR RESTRICTIVE LAYERS WITHIN 24 INCHES OF THE BOTTOM OF THE PROPOSED EXCAVATIONS.

THE COST TO INSTALL A SEPTIC SYSTEM ON AN INDIVIDUAL LOT IS \$ 3,000.00 INCLUDING THE COSTS FOR THE REQUIRED PERMIT AND LICENSE. TWO (2) OSSF HAVE BEEN INSTALLED AS OF THE TIME OF APPLICATION FOR FINAL PLAT APPROVAL AT A TOTAL COST OF \$ 6,000.00. HIDALGO COUNTY HEALTH DEPARTMENT INSPECTED AND APPROVED THE INSTALLED OSSF ON

CERTIFICATION:

BY MY SIGNATURE BELOW, I CERTIFY THAT THE WATER AND SEWER SERVICE FACILITIES DESCRIBED ABOVE ARE IN COMPLIANCE WITH THE MODEL RULES ADOPTED UNDER SECTION 16.343, WATER CODE. I CERTIFY THAT THE ESTIMATED COSTS TO INSTALL WATER SYSTEM AND ON-SITE SEWAGE FACILITIES, DISCUSSED ABOVE, ARE AS FOLLOWS:

WATER FACILITIES: THESE FACILITIES COST A TOTAL OF \$ 3,500.00.
SEWAGE FACILITIES: SEPTIC SYSTEM COST A TOTAL OF \$ 6,000.00.

PABLO SOTO, JR., P.E. #66278
TEXAS REGISTERED ENGINEERING FIRM: F-20208
1208 S. IRONWOOD STREET
PHARR, TEXAS 78577
PHONE (956) 460-1605

REPORTE FINAL DE INGENIERIA PARA LA SUBDIVISION DIAZ GAME FARM

PROVISION DE AGUA: DESCRIPCION, GASTOS Y FECHA DE INICIO

LA SUBDIVISION DE DIAZ GAME FARM RECIBIRA SU PROVISION DE AGUA DE NORTH ALAMO WATER SUPPLY CORP., EL DUEÑO DE LA SUBDIVISION Y NORTH ALAMO WATER SUPPLY CORP. HAN FIRMADO UN CONTRATO POR EL CUAL LA SUBDIVISION RECIBIRA SU PROVISION DE AGUA POR LOS PROXIMOS 30 ANOS Y NORTH ALAMO WATER SUPPLY CORP. TENDRA QUE PRESENTAR LA DOCUMENTACION PARA DEMOSTRAR A LARGO PLAZO LA CANTIDAD Y CALIDAD DE AGUA ACCESIBLE PARA SERVIR EL FUTURO DESARROLLO DE LA SUBDIVISION. NORTH ALAMO WATER SUPPLY CORP. TIENE UNA LINEA DE AGUA DE 2" QUE CORRE EN EL LADO NORTE DE "DERECHO-DE-WAY" DEL CAMINO WILEY 15 NORTH ROAD. EL SERVICIO DE AGUA PARA LA SUBDIVISION BUSCH ESTATES CONSISTE DE DOS (2) SERVICIOS DE AGUA SENCILLO DE 3/4" QUE CORRE AL TERMINANDO EN LA CAJA DEL MEDIDOR. EL DUEÑO HA PAGADO UN TOTAL DE \$ 0.00 POR EL YA DESCRITO SISTEMA DE DISTRIBUCION DE AGUA. EN ADICION EL DUEÑO LE PAGARA A NORTH ALAMO WATER SUPPLY CORP. LA CANTIDAD DE \$ 3,500.00 O \$ 1,750.00 POR SOLAR PARA EL ACUERDO DE 30 ANOS DE SERVICIO QUE CUBRE EL MEDIDOR DE AGUA Y EL SISTEMA. EL DUEÑO DEL SOLAR NO HA SOLICITADO LA INSTALACION DEL MEDIDOR DE AGUA. NORTH ALAMO WATER SUPPLY CORP. PROCEDERA LA INSTALACION DEL MEDIDOR EN EL SOLAR EN CUALQUIER CASO. EL MEDIDOR DE AGUA SE INSTALARAN Y TODAS LAS FACILIDADES DE AGUA SERAN INSTALADAS Y OPERABLES EL SISTEMA DE AGUA ESTARA EN FUNCIONAMIENTO COMPLETO ANTES O EN LA FECHA, EN LA CUAL LA SUBDIVISION SEA ARCHIVADA EN EL CONDADO DE HIDALGO.

DRENAJE, DESCRIPCION, GASTOS Y FECHA DE INICIO DE OPERABILIDAD DEL DRENAJE

EL DRENAJE PARA DIAZ GAME FARM SERA TRATADO INDIVIDUAL CON: " FACILIDAD DE DRENAJE EN-SITIO " (OSSF). CONSISTE DE UN DISEÑO STANDARD. SE INSTALARA UNA FOSA SEPTICA EN CADA SOLAR. ESTA FOSA SEPTICA CONSISTE DE UN TANQUE SEPTICO DE MODELO DOBLE Y DE UN CAMPO DE DRENAJE PARA EL SOLAR. EL INGENIERO AUTOR DE ESTE DOCUMENTO HA EVALUADO EL AREA DONDE SE ENCUENTRA LA SUBDIVISION Y HA PREPARADO UN REPORTE QUE CONCLUYE QUE ESTE TERRENO ES ADECUADO PARA ESTAS FOSAS SEPTICAS ("OSSF"). EL REPORTE FUE APROBADO POR EL DEPARTAMENTO DE SALUBRIDAD DEL CONDADO DE HIDALGO (HIDALGO COUNTY HEALTH DEPARTMENT).

CADA SOLAR EN LA SUBDIVISION PROPUESTA DEBE SER, AL MENOS DE 0.50 ACRE DE TAMAÑO. EL SERVICIO Y CONSERVACION DEL SUELO DEL DEPARTAMENTO DE AGRICULTURA DE LOS ESTADOS UNIDOS (USDA) INDICA UNA MEZCLA DE BARRO ARENOSO (WILLYAC FINE SANDY LOAM). SE REALIZARON DOS PRUEBAS CON AGUJEROS EN AREAS DISTINTAS DE LA SUBDIVISION EN EL LOTE (NO FUERON NECESARIAS PRUEBAS ADICIONALES PORQUE EL SUELO ES UNIFORME EL AREA DELIMITADA EL SUELO ES UNIFORME. DE BARRO ARENOSO EXTENDIDO A MAS DE 24 PULGADAS BAJO EL FONDO DE CUALQUIER EXCAVACION. NO HAY PRESENCIA DE AGUA SUBTERRANEA BAJO LA CAPA DE 24 PULGADAS DE FONDO DE LA EXCAVACIONES. EL COSTO PARA INSTALAR EL SISTEMA SEPTICO EN UN SOLAR ES \$3,000.00 INCLUYENDO EL COSTO DE LA LICENCIA Y EL PERMISO. SI HUBIERA FOSA SEPTICA HA SIDO INSTALADA AL MOMENTO DE LA SOLICITUD DE APROBACION FINAL DEL DOCUMENTO. EL SISTEMA SEPTICO ESTA INSTALADO EN CADA SOLAR. EL DEPARTAMENTO DE SALUBRIDAD DEL CONDADO (HIDALGO COUNTY HEALTH DEPARTMENT) DIÓ INSPECCION EN EL

CERTIFICACION:

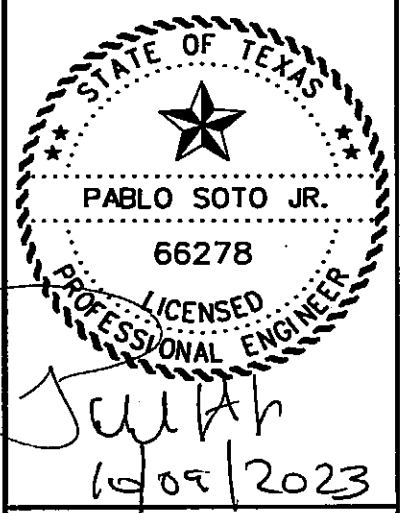
CON MI FIRMA CERTIFICO QUE LOS SERVICIOS Y SISTEMAS DE AGUA Y DE DRENAJE, DESCRITOS EN ESTE DOCUMENTO CUMPLEN CON LAS REGLAS MODELO ADOPTADAS BAJO LA SECCION 16.343 DEL CODIGO DE AGUA. CERTIFICO QUE LOS GASTOS PARA INSTALAR LOS SISTEMAS DE AGUA Y DE DRENAJE SON:

FACILIDADES DE AGUA: ESTE SERVICIO COSTO TOTAL DE \$ 3,500.00.
FACILIDADES DE DRENAJE SEPTICO: EL SISTEMA SEPTICO COSTO TOTAL DE \$ 6,000.00.

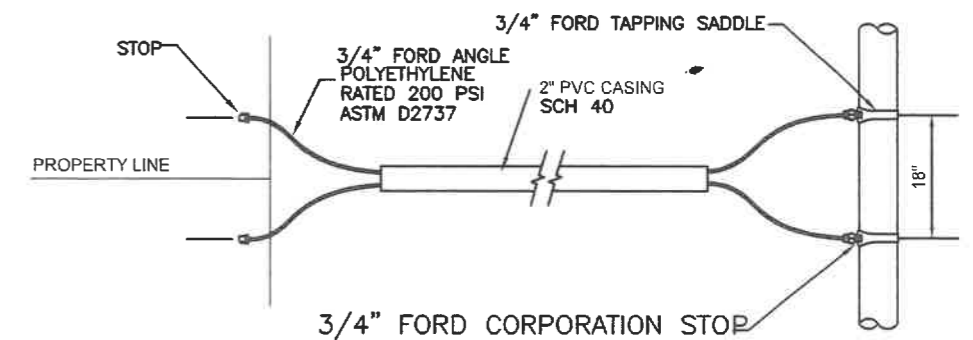
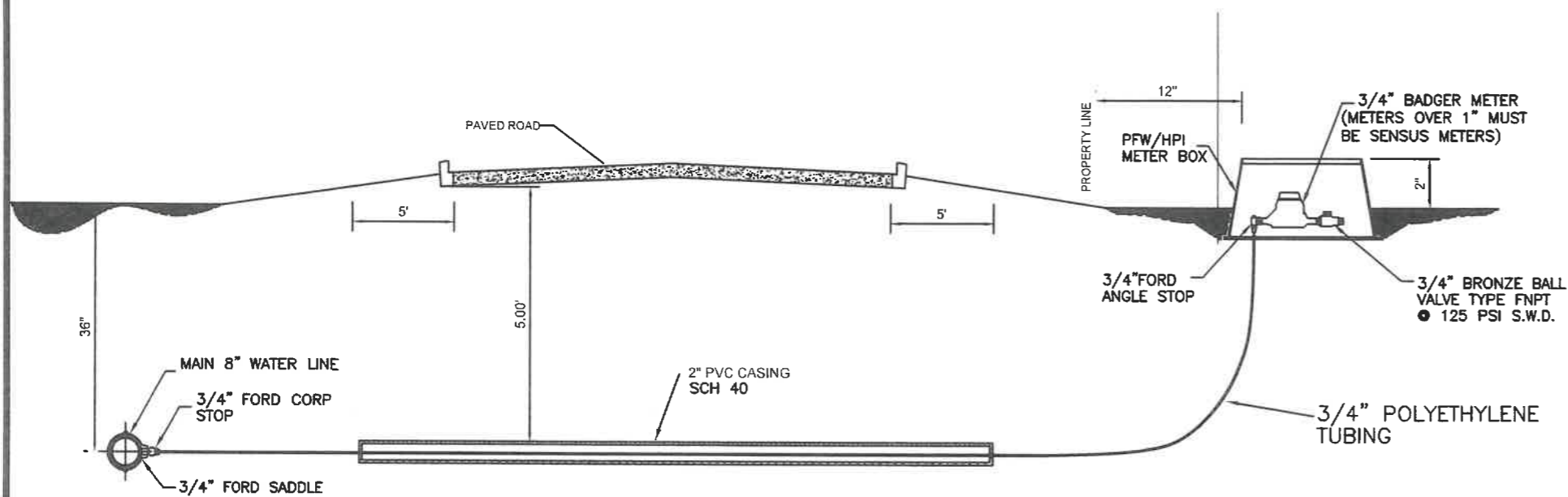
PABLO SOTO, JR., P.E. #66278
TEXAS REGISTERED ENGINEERING FIRM: F-20208
1208 S. IRONWOOD STREET
PHARR, TEXAS 78577
PHONE (956) 460-1605

JOB NO.:
DATE:
REVISION:
SCALE:
DRAWN BY:
SHEET:

DIAZ GAME FARM SUBDIVISION
UTILITY AND DRAINAGE PLAN



PABLO SOTO JR., P.E.
1208 S. IRONWOOD STREET
PHARR, TEXAS 78577
TEL: (956) 460-1605



LONG SERVICE CONNECTION

NOTE: MAGNETIC TAPE (CAUTION TAPE) BURIED 16" BELOW NATURAL GROUND

NOTE: PVC ENCASEMENT SHOULD EXTEND THE MINIMUM OF 5' OF EDGE OF PAVEMENT ON BOTH SIDES OF ROAD



Pablo Soto Jr.
4/23/2024

DIAZ GAME FARM SUBDIVISION

T.B.P.E. FIRM No. 20208

PABLO SOTO JR. P.E.

1208 S. IRONWOOD STREET TEL: (956) 460-1605
PHARR, TEXAS 78577