

Hidalgo County Head Start Program Policy Council Agenda

DATE: November 20, 2024

SUBJECT: Discussion/Approval on Request to purchase Three (3) Play Structures through Hidalgo County’s Membership/Participation with Buyboard Purchasing Cooperative (Contract No. 679-22), from Play RGV, LLC in the Amount of \$532,619.

RATIONALE/NEED: This would allow Head Start to obtain the best pricing under the Buyboard contract. The play structures are to be placed at the Edinburg Head Start Campus, Mission Head Start Campus, and Enrique Camarena Head Start Campus.

RECOMMENDATION: Administration recommends approval.

COST: Head Start Program (DHHS) funds are available.

RELATED INFORMATION INCLUDED: Participant Info/Proposal/
Form 1295, Insurance, SAM.gov

INITIATED BY: Ambrosio Tovar, Procurement Director *A. Tovar*

REVIEWED BY: Dr. Nereyda Cantu, Assistant Director *N. Cantu*

PROGRAM DIRECTOR’S APPROVAL: *[Signature]*



Vendor Contract Information Summary

Vendor Play RGV, LLC
Contact Luis E Montemayor
Phone (956)735-6212
Email playrgvllc@hotmail.com
Vendor Website www.playrgvllc.com
TIN 81-4484335
Address Line 1 824 E Expwy. 83
Vendor City La Joya
Vendor Zip 78560
Vendor State TX
Vendor Country USA
Delivery Days 10
Freight Terms FOB Destination
Payment Terms NET 30 Days
Shipping Terms Freight prepaid by vendor and added to invoice
Ship Via Common Carrier
Designated Dealer No
EDGAR Received Yes
Service-disabled Veteran Owned No
Minority Owned Yes
Women Owned Yes
Certificate Number 1814484335800
Certifying Agency State of Texas / Texas Comptroller of Public Accounts
National Yes
No Foreign Terrorist Orgs Yes
No Israel Boycott Yes
MWBE Yes
ESCs All Texas Regions
States All States
Contract Name Parks and Recreation Equipment, Products, and Installation
Contract No. 679-22
Effective 10/01/2022
Expiration 09/30/2025
Accepts RFQs Yes
Quote Reference Number 679-22



July 18, 2024

Sent via email to: playrgvllc@hotmail.com

Luis E Montemayor
Play RGV, LLC
824 E Expwy. 83
La Joya, TX 78560

Re: Parks and Recreation Equipment, Products, and Installation
BuyBoard Contract 679-22

The Local Government Purchasing Cooperative (BuyBoard) awarded your company a contract under Parks and Recreation Equipment, Products, and Installation, Contract 679-22, for which the current term is set to expire September 30, 2024. At this time, the BuyBoard is renewing your contract through September 30, 2025. This will be the final renewal of this contract.

All discounts, terms, and conditions of your contract will remain the same. If you agree to this renewal, there is nothing you need to do. However, if you do not agree to this renewal, you must notify me via email at contractadmin@buyboard.com prior to the start of the renewal term.

If you have questions or comments concerning this renewal, please contact me as soon as possible at contractadmin@buyboard.com. We appreciate your interest in The Local Government Purchasing Cooperative.

Sincerely,

Jim Tulberg

Jim Tulberg
Contract Administrator

final renewal v.02.13.2020



824 E. Expressway 83 La Joya, TX. 78560

Proj.: HeadStart Edingurg Campus, Mission Campus & Enrique Camar
Playground, Surfacing, Cement Work & Installation

Scope: Turnkey Proj

Sales Quote 11132024

HeadStart Edingurg Campus, Mission Campus & Enrique Camar
1901 W. State Hwy 107 McAllen, TX - 78504

BuyBoard Contract (No. 679-22)

Quote Valid from: 11/13-12/13/2024

ITEM DESCRIPTION	QTY	UNIT PRICE	TOTAL PRICE
Commercial Playground			
Custom Minimo Unit - 593, 3.5" Galvanized Post KP-38945	3	\$23,999.00	\$71,997.00
Gas Station (Talk Tube Sold Seperatly) TS 1006	3	\$1,799.00	\$5,397.00
Rainbow Xylophone (FM-1801)	3	\$4,599.00	\$13,797.00
Bongo Drums (FM-1812)	3	\$3,699.00	\$11,097.00
Linguistic Colors Panel	18	\$1,250.00	\$22,500.00
Sand Chute Wall	6	\$799.00	\$4,794.00
Water Mill	3	\$9,099.00	\$27,297.00
ASM-OHTY-BK/CD (Open Hexagon Youth Table Black Frame Cedar Boards)	15	\$1,299.00	\$19,485.00
Total for Playgrounds & Amenities			\$176,364.00
Scope of Work for P.I.P.			

Provide & Install 2716 sf of Standard color Perma Play (50% Color / 50% Black) On Concrete Base Perma Play: 0.5 in (No Critical Fall Height) - 676 Sq ft Art Panels Perma Play: 2 in (4 ft Critical Fall Height) - 1364 Sq ft Play Structure, Includes Black Track with Yellow Lines Perma Play: 0.5 in (No Critical Fall Height) - 676 Sq ft Table Benches Perma Play: 0.5 in (No Critical Fall Height) 784 Sq ft Side Walks. All PIP whether being 2" or 0.5" are averaged out to get the calculation of a price per sqft.	10500	\$20.00	\$210,000.00
Provide Dumpster & Dispose of Refuse	3	\$1,500.00	\$4,500.00
Terms & Conditions			

<p>Terms and Conditions: 1. Installation Temperature - The required temperature for PLAY RGV LLC (PTS Surfacing) Perma Play and Turf system installations and curing periods is a minimum ambient temperature of 50° (and rising) and a maximum ambient temperature of 95° unless a Poor Weather Installation Rider has been signed by the customer. PLAY RGV LLC (PTS Surfacing) may at its discretion, choose to commence a cold weather installation on projects less than 1000sf in size. This decision is solely at the discretion of PLAY RGV LLC (PTS Surfacing) and will not affect the standard product warranty. 2. This proposal may be withdrawn if not accepted within forty-five (25) days of its issuance. PLAY RGV LLC (PTS, LLC) will consider reasonable requests to engage in negotiations for revisions to this proposal, including signing a subcontract that incorporates the terms and conditions of this proposal. A proposal not accepted within forty-five (25) days will be subject to price escalation for materials. 3. All work shall be performed according to industry standards. Areas to receive PLAY RGV LLC (PTS Systems) shall be free and clear of all debris. Any changes to the work that is not within the scope of work, or the terms and conditions of this proposal shall be performed only after execution of a written change order. Total proposal amount is subject to change as this proposal is based on customers drawings, descriptions, and specifications.</p>			
---	--	--	--

Surfacing) work: (a) Customer shall inspect all areas, playgrounds, drainage, curbs, concrete, asphalt, and compacted aggregate sub-base receiving PLAY RGV LLC (PTS Surfacing Systems) for proper: slope, depth, size, compaction (95%), installation, and fall zones to be free from any obstructing or incorrectly installed playground structures and submit written approval to PLAY RGV LLC (PTS Surfacing) within (10) days of commencement, (b) If customer does not provide written approval at least (10) days prior to commencement of PLAY RGV LLC (PTS Surfacing's) work, then any incurred costs as a result of inadequate job site conditions will be passed on and accepted by the customer. Fees for crew down time which is not caused by an act of god are \$2,000.00 per day. Fee per disposal/dumpster is \$1,700.00, (c) Any job site condition that does not meet PLAY RGV LLC (PTS Surfacing's) specification will require correction by the customer or the execution of a separate waiver agreement on the customer's behalf. **5.** All work is contingent upon strikes, accidents, acts of god, and delays beyond the control of PLAY RGV LLC (PTS Surfacing, LLC). **6.** In the event a customer requests a proposal for Aromatic binder and quote becomes an active project; (a) Customer assumes all responsibility for any yellowing/amber hue of the surface, (b) Customer also agrees that payment for the project will not breach the terms and conditions of this proposal. **7.** This proposal is not valid until receiving Headstart Hidalgo

--	--	--	--

<p>8. This proposal is subject to credit review and approval. All credit card payments will incur a 3% processing fee. Past due invoice will be billed at 1.5% per month (18% annum). In the case of any default, customer shall pay PLAY RGV LLC (PTS, LLC reasonable attorney fees and costs, including those on any appeal even if no suit or action is filed. 9. Cure Time - Allow surfacing system to cure for 48 hours to 72 hours contingent on the relative humidity and temperature. In colder temperatures, below 60 degrees F (15 degrees C), cure times may need to be extended to allow the surfacing system to fully cure and become tack free. Protect newly installed surfacing system from foot traffic or equipment usage until the surfacing system has fully cured. 10. Security is not included in this quote. The customer is responsible for ensuring all security during the project when PLAY RGV LLC (PTS Surfacing is not present installing the specified system, and immediately upon completion of the installation. In the event of vandalism or unexpected foot traffic during the curing.</p>			
<p>11. Proper maintenance of the safety surface system including the removal of particulate matter and routine inspection for granulation or surface damage are the responsibility of the owner/operator of the playgrounds per NRPA, CPSC and ASTM-F1487 guidelines. Use of unapproved or solvent based cleaners, power washing machines and cutting of the system are prohibited. Please view the maintenance document under additional resources.</p>			

Project Details: 1. Ready Date: 2. Deadline Date: 3. Time of Day Restrictions: Undisclosed 4. Day of Week Restrictions: Undisclosed 5. Limited Site Access: Undisclosed 6. Bonding Provided by PTS Surfacing: No 7. Prevailing Wage: No 8. Gmax & HIC Rating: 200 & 1000 9. Warranties: Perma Play - 5 Year (Standard) Scope of Work:			
		Total for P.I.P.	\$214,500.00
BuyBoard Discount (No. 679-22)	1	(\$10,000.00)	(\$10,000.00)
		Total Equipment	\$380,864.00
*Tax exempt certificate required at time of order, otherwise sales tax will be added.	TAX	Tax Exempt	
		Subtotal	\$380,864.00
Earth Work, Concrete Slabs for Play Areas & Side Walks.	3	\$31,595.00	\$94,785.00
Installation of Commercial Playground Equipment & Amenities	3	\$13,995.00	\$41,985.00
Freight	3	\$4,995.00	\$14,985.00
			\$532,619.00
			\$532,619.00

Contact Info: Luis E. Montemayor 956-735-6212 luisemontemayor@playrgvllc.com www.playrgvllc.com

Please mail check to the following address: PLAY RGV LLC P.O. Box 2003 La Joya, TX. 78560



Important Reqs and Certs Update [Show Details](#)
Jul 18, 2024



[See All Alerts](#)

Entity Validation [Show Details](#)
Nov 8, 2024



[Home](#) [Search](#) [Data Bank](#) [Data Services](#) [Help](#)

[Exclusions](#)

Entity Registration

Exclusions

Active Exclusions

Responsibility / Qualification

Entity Information

PLAY RGV, LLC Active Registration

Unique Entity ID CAGE/NCAGE
J514UCCTSCM9 9US59

Expiration Date
Mar 25, 2025

Physical Address

**1103 Travis ST
Mission, Texas
78572-2035, United States**

Mailing Address

**P.O. Box 2003
La Joya, Texas
78560, United States**

Purpose of Registration

All Awards

Version

Current Record

EXCLUSIONS

There may be instances when an individual or firm has the same or similar name as your search criteria, but is actually a different party. Therefore, it is important that you verify a potential match with the excluding agency identified in the exclusion's details. To confirm or obtain additional information, contact the federal

CERTIFICATE OF INTERESTED PARTIES

FORM 1295

1 of 1

Complete Nos. 1 - 4 and 6 if there are interested parties.
Complete Nos. 1, 2, 3, 5, and 6 if there are no interested parties.

OFFICE USE ONLY CERTIFICATION OF FILING

1 Name of business entity filing form, and the city, state and country of the business entity's place of business.
PLAY RGV LLC
LA JOYA, TX United States

Certificate Number:
2024-1236641

Date Filed:
11/08/2024

2 Name of governmental entity or state agency that is a party to the contract for which the form is being filed.
Hidalgo County Head Start Program

Date Acknowledged:
12/11/2024

3 Provide the identification number used by the governmental entity or state agency to track or identify the contract, and provide a description of the services, goods, or other property to be provided under the contract.

Hidalgo County Head Start Prog
Hidalgo County Head Start Program Playground Structures, Installation of Playgrounds, Surfacing and Shades Structures

4	Name of Interested Party	City, State, Country (place of business)	Nature of interest (check applicable)	
			Controlling	Intermediary
	Hidalgo County Head Start Program	McAllen, TX United States	X	

5 Check only if there is NO Interested Party.

6 UNSWORN DECLARATION

My name is Luis Montemayor, and my date of birth is _____.

My address is 2303 Santa Monica (street), Mission (city), TX (state), 78572 (zip code), USA (country).

I declare under penalty of perjury that the foregoing is true and correct.

Executed in Hidalgo County, State of Texas, on the 11th day of December 2024.
(month) (year)

Signature of authorized agent of contracting business entity
(Declarant)

CERTIFICATE OF INTERESTED PARTIES

FORM 1295

1 of 1

Complete Nos. 1 - 4 and 6 if there are interested parties.
 Complete Nos. 1, 2, 3, 5, and 6 if there are no interested parties.

OFFICE USE ONLY CERTIFICATION OF FILING

Certificate Number:
 2024-1236641

Date Filed:
 11/08/2024

Date Acknowledged:
 12/11/2024

1 Name of business entity filing form, and the city, state and country of the business entity's place of business.

PLAY RGV LLC
 LA JOYA, TX United States

2 Name of governmental entity or state agency that is a party to the contract for which the form is being filed.

Hidalgo County Head Start Program

3 Provide the identification number used by the governmental entity or state agency to track or identify the contract, and provide a description of the services, goods, or other property to be provided under the contract.

Hidalgo County Head Start Prog
 Hidalgo County Head Start Program Playground Structures, Installation of Playgrounds, Surfacing and Shades Structures

4	Name of Interested Party	City, State, Country (place of business)	Nature of interest (check applicable)	
			Controlling	Intermediary
	Hidalgo County Head Start Program	McAllen, TX United States	X	

5 Check only if there is NO Interested Party.

6 UNSWORN DECLARATION

My name is _____, and my date of birth is _____.

My address is _____, _____, _____, _____, _____.
(street) (city) (state) (zip code) (country)

I declare under penalty of perjury that the foregoing is true and correct.

Executed in _____ County, State of _____, on the _____ day of _____, 20____.
(month) (year)

 Signature of authorized agent of contracting business entity
 (Declarant)

CONFLICT OF INTEREST QUESTIONNAIRE

FORM CIQ

For vendor doing business with local governmental entity

This questionnaire reflects changes made to the law by H.B. 23, 84th Leg., Regular Session.

This questionnaire is being filed in accordance with Chapter 176, Local Government Code, by a vendor who has a business relationship as defined by Section 176.001(1-a) with a local governmental entity and the vendor meets requirements under Section 176.006(a).

By law this questionnaire must be filed with the records administrator of the local governmental entity not later than the 7th business day after the date the vendor becomes aware of facts that require the statement to be filed. See Section 176.006(a-1), Local Government Code.

A vendor commits an offense if the vendor knowingly violates Section 176.006, Local Government Code. An offense under this section is a misdemeanor.

OFFICE USE ONLY

Date Received

1 Name of vendor who has a business relationship with local governmental entity.

PLAY RGV LLC

2 Check this box if you are filing an update to a previously filed questionnaire. (The law requires that you file an updated completed questionnaire with the appropriate filing authority not later than the 7th business day after the date on which you became aware that the originally filed questionnaire was incomplete or inaccurate.)

3 Name of local government officer about whom the information is being disclosed.

N/A

Name of Officer

4 Describe each employment or other business relationship with the local government officer, or a family member of the officer, as described by Section 176.003(a)(2)(A). Also describe any family relationship with the local government officer. Complete subparts A and B for each employment or business relationship described. Attach additional pages to this Form CIQ as necessary.

A. Is the local government officer or a family member of the officer receiving or likely to receive taxable income, other than investment income, from the vendor?

Yes

No

B. Is the vendor receiving or likely to receive taxable income, other than investment income, from or at the direction of the local government officer or a family member of the officer AND the taxable income is not received from the local governmental entity?

Yes

No

5 Describe each employment or business relationship that the vendor named in Section 1 maintains with a corporation or other business entity with respect to which the local government officer serves as an officer or director, or holds an ownership interest of one percent or more.

N/A

6 Check this box if the vendor has given the local government officer or a family member of the officer one or more gifts as described in Section 176.003(a)(2)(B), excluding gifts described in Section 176.003(a-1).

7 Signature of vendor doing business with the governmental entity

11/7/2024
Date



CERTIFICATE OF LIABILITY INSURANCE

DATE (MM/DD/YYYY)

11/8/2024

THIS CERTIFICATE IS ISSUED AS A MATTER OF INFORMATION ONLY AND CONFERS NO RIGHTS UPON THE CERTIFICATE HOLDER. THIS CERTIFICATE DOES NOT AFFIRMATIVELY OR NEGATIVELY AMEND, EXTEND OR ALTER THE COVERAGE AFFORDED BY THE POLICIES BELOW. THIS CERTIFICATE OF INSURANCE DOES NOT CONSTITUTE A CONTRACT BETWEEN THE ISSUING INSURER(S), AUTHORIZED REPRESENTATIVE OR PRODUCER, AND THE CERTIFICATE HOLDER.

IMPORTANT: If the certificate holder is an ADDITIONAL INSURED, the policy(ies) must have ADDITIONAL INSURED provisions or be endorsed. If SUBROGATION IS WAIVED, subject to the terms and conditions of the policy, certain policies may require an endorsement. A statement on this certificate does not confer rights to the certificate holder in lieu of such endorsement(s).

PRODUCER EDDIE HOWELL INSURANCE 805 W 2ND STREET MERCEDES, TEXAS 78570	CONTACT NAME: EDDIE HOWELL PHONE (A/C, No, Ext): (956)825-9068 E-MAIL ADDRESS: HOWELLINSURANCE425@YAHOO.COM	FAX (A/C, No): (956)825-9078
	INSURER(S) AFFORDING COVERAGE INSURER A: EVANSTON INSURANCE COMPANY INSURER B: INSURER C: INSURER D: INSURER E: INSURER F:	
INSURED PLAY RGV LLC 825 E EXPRESSWAY 83 LA JOYA, TEXAS 78560		

COVERAGES **CERTIFICATE NUMBER:** **REVISION NUMBER:**

THIS IS TO CERTIFY THAT THE POLICIES OF INSURANCE LISTED BELOW HAVE BEEN ISSUED TO THE INSURED NAMED ABOVE FOR THE POLICY PERIOD INDICATED. NOTWITHSTANDING ANY REQUIREMENT, TERM OR CONDITION OF ANY CONTRACT OR OTHER DOCUMENT WITH RESPECT TO WHICH THIS CERTIFICATE MAY BE ISSUED OR MAY PERTAIN, THE INSURANCE AFFORDED BY THE POLICIES DESCRIBED HEREIN IS SUBJECT TO ALL THE TERMS, EXCLUSIONS AND CONDITIONS OF SUCH POLICIES. LIMITS SHOWN MAY HAVE BEEN REDUCED BY PAID CLAIMS.

INSR LTR	TYPE OF INSURANCE	ADDL INSD	SUBR WVD	POLICY NUMBER	POLICY EFF (MM/DD/YYYY)	POLICY EXP (MM/DD/YYYY)	LIMITS
A	<input checked="" type="checkbox"/> COMMERCIAL GENERAL LIABILITY <input type="checkbox"/> CLAIMS-MADE <input type="checkbox"/> OCCUR GEN'L AGGREGATE LIMIT APPLIES PER: <input type="checkbox"/> POLICY <input checked="" type="checkbox"/> PROJECT <input type="checkbox"/> LOC OTHER:			7479403	10/28/2024	10/28/2025	EACH OCCURRENCE \$ 1,000,000 DAMAGE TO RENTED PREMISES (Ea occurrence) \$ 100,000 MED EXP (Any one person) \$ 5,000 PERSONAL & ADV INJURY \$ 1,000,000 GENERAL AGGREGATE \$ 2,000,000 PRODUCTS - COMP/OP AGG \$ 2,000,000 \$
	AUTOMOBILE LIABILITY <input type="checkbox"/> ANY AUTO <input type="checkbox"/> OWNED AUTOS ONLY <input type="checkbox"/> HIRED AUTOS ONLY <input type="checkbox"/> SCHEDULED AUTOS <input type="checkbox"/> NON-OWNED AUTOS ONLY						COMBINED SINGLE LIMIT (Ea accident) \$ BODILY INJURY (Per person) \$ BODILY INJURY (Per accident) \$ PROPERTY DAMAGE (Per accident) \$ \$
	<input type="checkbox"/> UMBRELLA LIAB <input type="checkbox"/> OCCUR <input type="checkbox"/> EXCESS LIAB <input type="checkbox"/> CLAIMS-MADE DED RETENTION \$						EACH OCCURRENCE \$ AGGREGATE \$ \$
	WORKERS COMPENSATION AND EMPLOYERS' LIABILITY ANY PROPRIETOR/PARTNER/EXECUTIVE OFFICER/MEMBER EXCLUDED? (Mandatory in NH) If yes, describe under DESCRIPTION OF OPERATIONS below	Y/N	N/A				<input type="checkbox"/> PER STATUTE <input type="checkbox"/> OTH-ER E.L. EACH ACCIDENT \$ E.L. DISEASE - EA EMPLOYEE \$ E.L. DISEASE - POLICY LIMIT \$

DESCRIPTION OF OPERATIONS / LOCATIONS / VEHICLES (ACORD 101, Additional Remarks Schedule, may be attached if more space is required)

CERTIFICATE HOLDER HIDALGO COUNTY HEADSTART 1901 TX-107 MCALLEN, TEXAS 78504	CANCELLATION SHOULD ANY OF THE ABOVE DESCRIBED POLICIES BE CANCELLED BEFORE THE EXPIRATION DATE THEREOF, NOTICE WILL BE DELIVERED IN ACCORDANCE WITH THE POLICY PROVISIONS. AUTHORIZED REPRESENTATIVE EDDIE HOWELL JR. AGENT/OWNER
--	--

© 1988-2015 ACORD CORPORATION. All rights reserved.



Phone: 877 816 2800 | PO Box 32577
Waco, Texas 76703-4200

BID BOND

Bond No. CNB-44207-00

KNOW ALL MEN BY THESE PRESENTS:

THAT we, Play RGV, LLC, as Principal, hereinafter called the Principal, and INSURORS INDEMNITY COMPANY, Waco, Texas, as Surety, hereinafter called the Surety, are held and firmly bound unto Hidalgo County Headstart Program, as Obligee, hereinafter called the Obligee, in the amount of 5 % of the amount of this bid not to exceed 5% of the Greatest Amount Bid Dollars (\$ 5% of G.A.B), for the payment of which sum well and truly to be made, the said Principal and the said Surety, bind ourselves, our heirs, executors, administrators, successors and assigns, jointly and severally, firmly by these presents.

WHEREAS, the principal has submitted a bid for Head Start - 3 Different Commercial Playgrounds, Commercial Playgrounds pour in Play Surfacing Shade structures cement work & installation

NOW, THEREFORE, If the contract be timely awarded to the Principal and the Principal shall within such time as specified in the bid, enter into a contract in writing and give bond with good and sufficient surety, or, in the event of the failure of the Principal to enter into such Contract and give such bond or bonds; if the Principal shall pay to the Obligee the difference not to exceed the penalty hereof between the amount specified in said bid and such larger amount for which the Obligee may in good faith contract with another party to perform the work covered by said bid, then this obligation shall be null and void, otherwise to remain in full force and effect

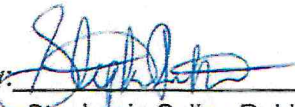
PROVIDED, HOWEVER, neither Principal nor Surety shall be bound hereunder unless Obligee prior to execution of the final contract shall furnish evidence of financing in a manner and form acceptable to Principal and Surety that financing has been firmly committed to cover the entire cost of the project.

SIGNED, SEALED AND DATED this 8th day of November, 2024.

Principal:
Play RGV, LLC
(Seal)

By: _____
(title)

Surety:
INSURORS INDEMNITY COMPANY
(Seal)

By: 
Stephanie Selina Rubio, Attorney-in-Fact



Phone: 877 816 2800 | PO Box 32577
Waco, Texas 76703-4200

IMPORTANT NOTICE - AVISO IMPORTANTE

To obtain information or make a complaint:

You may call Insurors Indemnity Company's toll-free telephone number for information or to make a complaint at:

1-877-816-2800

You may also write to Insurors Indemnity Company at:

P.O. Box 32577
Waco, TX 76703-4200
Or
225 South Fifth Street
Waco, TX 76701

You may contact the Texas Department of Insurance to obtain information on companies, coverages, rights or complaints at

1-800-252-3439

You may write the Texas Department of Insurance at:

Consumer Protection (111-1A)
P.O. Box 149091
Austin, TX 78714-9091
Fax: 512-490-1007

Web: <http://www.tdi.texas.gov>

E-mail: ConsumerProtection@tdi.texas.gov

PREMIUM OR CLAIM DISPUTES:

Should you have a dispute concerning your premium or about a claim, you should contact the agent or the company first. If the dispute is not resolved, you may contact the Texas Department of Insurance.

ATTACH THIS NOTICE TO YOUR POLICY:

This notice is for information only and does not become a part or condition of the attached document.

Para obtener informacion o para someter una queja:

Usted puede llamar al numero de telefono gratis de Insurors Indemnity Company's para informacion o para someter una queja al

1-877-816-2800

Usted tambien puede escribir a Insurors Indemnity Company:

P.O. Box 32577
Waco, TX 76703-4200
O
225 South Fifth Street
Waco, TX 76701

Puede comunicarse con el Departamento de Seguros de Texas para obtener informacion acerca de companias, coberturas, derechos o quejas al

1-800-252-3439

Puede escribir al Departamento de Seguros de Texas:

Consumer Protection (111-1A)
P.O. Box 149091
Austin, TX 78714-9091
Fax: 512-490-1007

Web: <http://www.tdi.texas.gov>

E-mail: ConsumerProtection@tdi.texas.gov

DISPUTAS SOBRE PRIMAS O RECLAMOS:

Si tiene una disputa concemiente a su prima o a un reclamo, debe comunicarse con el agente o la compania primero. Si no se resuelve la disputa, puede entonces comunicarse con el departamento (TDI).

UNA ESTE AVISO A SU POLIZA:

Este aviso es solo para proposito de informacion y no se convierte en parte o condicion del documento adjunto.

POWER OF ATTORNEY of INSURORS INDEMNITY COMPANY
Waco, Texas

KNOW ALL PERSONS BY THESE PRESENTS:

Number: CNB-44207-00

That INSURORS INDEMNITY COMPANY, Waco, Texas, organized and existing under the laws of the State of Texas, and authorized and licensed to do business in the State of Texas and the United States of America, does hereby make, constitute and appoint

Stephanie Selina Rubio of the City of San Antonio, State of TX

as Attorney in Fact, with full power and authority hereby conferred upon him to sign, execute, acknowledge and deliver for and on its behalf as Surety and as its act and deed, all of the following classes of document, to-wit:

Indemnity, Surety and Undertakings that may be desired by contract, or may be given in any action or proceeding in any court of law or equity; Indemnity in all cases where indemnity may be lawfully given and with full power and authority to execute consents and waivers to modify or change or extend any bond or document executed for this Company.

INSURORS INDEMNITY COMPANY

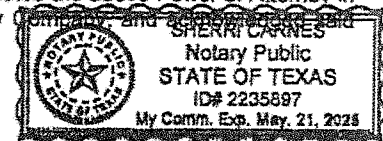
Attest: Tammy Tieperman
Tammy Tieperman, Secretary

By: Dave E. Talbert
Dave E. Talbert, President

State of Texas
County of McLennan

On the 11th day of November, 2014, before me a Notary Public in the State of Texas, personally appeared Dave E. Talbert and Tammy Tieperman, who being by me duly sworn, acknowledged that they executed the above Power of Attorney in their capacities as President, and Corporate Secretary, respectively, of Insurors Indemnity Company, and acknowledged said Power of Attorney to be the voluntary act and deed of the Company.

Sherril Carnes
Notary Public, State of Texas



Insurors Indemnity Company certifies that this Power of Attorney is granted under and by authority of the following resolutions of the Company adopted by the Board of Directors on November 11, 2014:

RESOLVED, that all bonds, undertakings, contracts or other obligations may be executed in the name of the Company by persons appointed as Attorney in Fact pursuant to a Power of Attorney issued in accordance with these Resolutions. Said Power of Attorney shall be executed in the name and on behalf of the Company either by the Chairman and CEO or the President, under their respective designation. The signature of such officer and the seal of the Company may be affixed by facsimile to any Power of Attorney, and, unless subsequently revoked and subject to any limitation set forth therein, any such Power of Attorney or certificate bearing such facsimile signature and seal shall be valid and binding upon the Company and any such power so executed and certified by facsimile signature and seal shall be valid and binding upon the Company with respect to any bond or undertaking to which it is validly attached.

RESOLVED, that Attorneys in Fact shall have the power and authority, subject to the terms and limitations of the Power of Attorney issued to them, to execute and deliver on behalf of the Company and to attach the seal of the Company to any and all bonds and undertakings, and any such instrument executed by such Attorneys in Fact shall be binding upon the Company as if signed by an Executive Officer and sealed and attested to by the Secretary or Assistant Secretary of the Company.

I, Tammy Tieperman, Secretary of Insurors Indemnity Company, do hereby certify that the foregoing is a true excerpt from the Resolutions of the said Company as adopted by its Board of Directors on November 11, 2014, and that this Resolution is in full force and effect. I certify that the foregoing Power of Attorney is in full force and effect and has not been revoked.

In Witness Whereof, I have set my hand and the seal of INSURORS INDEMNITY COMPANY on this 8th day of November, 2014.

Tammy Tieperman
Tammy Tieperman, Secretary

NOTE: IF YOU HAVE ANY QUESTION REGARDING THE VALIDITY OR WORDING OF THIS POWER OF ATTORNEY, PLEASE CALL 800 933 7444 OR WRITE TO US AT P. O. BOX 32577, WACO, TEXAS 76703 OR EMAIL US AT BONDDEPT@INSURORSINDEMNITY.COM.



PRODUCT WARRANTY

ONE HUNDRED YEAR (100) LIMITED WARRANTY

On aluminum and steel upright posts against structural failure due to deterioration, corrosion or workmanship.

ONE HUNDRED YEAR (100) LIMITED WARRANTY

On hardware against structural failure due to deterioration, corrosion or workmanship.

ONE HUNDRED YEAR (100) LIMITED WARRANTY

On post caps and clamps against structural failure due to deterioration, corrosion or workmanship.

FIFTEEN YEAR (15) LIMITED WARRANTY

On rails, rungs, rigid climbers, loops and decks against structural failure due to deterioration, corrosion and workmanship.

FIFTEEN YEAR (15) LIMITED WARRANTY

On all HDPE and molded plastic components against structural failure due to materials or workmanship.

ONE YEAR (1) LIMITED WARRANTY

On moving parts against structural failure due to materials or workmanship.

KidsTale warrants to its original customer for as long as the original customer owns the product and uses the product with normal use and installation in accordance with published specifications to be free from defects in materials and workmanship.

This warranty does not cover damage from misuse, vandalism, modified parts or damage such as dents, scratches, fading/weathering and normal wear and tear.

Warranty claims must be filed within the applicable warranty period. Warranty parts will be shipped free of charge to the original destination. Warranty replacement parts do not include the cost of labor for part replacement. Replacement parts carry the applicable warranty from the date of shipment of the replacement part.

General Product Specifications

Galvanized Steel Tubing Mechanical Properties:

- Yield Strength (min): 49,500 PSI
- Tensile Strength (min): 57,500 PSI
- % Elongation in 2 inches: 25

Vertical Post:

- 5" Series 11 gage galvanized steel
- 4.5" Series 13 gage galvanized steel
- 3.5" Series 13 gage galvanized steel
- 4" x 4" composite post with aluminum inter core

Galvanized Steel Tubing:

- 3.125" O.D. 13 gage
- 2.375" O.D. 13 gage
- 1.900" O.D. 13 gage
- 1.250" O.D. 14 gage
- 1.100" O.D. 16 gage
- Formed and fabricated into required components
- Finished as specified
- Complies with ASTM standards: A-500/A-513

Rotationally Molded Plastics:

- Low density polyethylene with UV-stabilized color
- Tensile strength is 2,500 PSI as defined by ASTM D-638
- Minimum wall thickness is 0.250"

Blow Molded Plastics:

- High-density polyethylene with UV-stabilized color
- Nominal wall thickness is 0.200"



General Product Specifications

HDPE Panels:

- 1/4", 1/2", and 3/4" high density polyethylene sheeting
- Solid and two color sheeting
- Tested in accordance with ASTM D1928 Procedure C
- Density per ASTM D1505
- Melt Index per ASTM D1238
- Tensile Strength and Ultimate Elongation per ASTM D638 Type 4
- Brittleness temperature per ASTM D746
- Flexural modulus per ASTM D790
- Coefficient of linear thermal expansion per ASTM E831
- Textured, matte finish
- UV stabilized

Plastisol Coated Products:

- 12 gage steel core
- 50,000 psi yield strength (ASTM E-8)
- 55,000 psi tensile strength (ASTM E-8)
- Nominal thickness of 0.080"
- Self-extinguishing
- Meets or exceeds automotive specifications NVSS302
- UV inhibitors to prolong life of the coating
- Meets or exceeds the heavy metal requirements of the CPSIA Act of 2008

Powder Coating:

- Shall be a minimum of 8 mills thick
- Electrostatically applied
- TGIC polyester powder baked on at 400 degrees
- Free of sharp edges and excess weld splatter
- Cleaned in an iron phosphate wash
- Resistant to salt spray (ASTM B-117)
- Resistant to humidity (ASTM D-2247)
- Lead free



General Product Specifications

Clamps:

- All clamping devices shall be Die Cast
- Material shall be high-strength aluminum alloy
- All clamps shall be double banded for highest clamping pressure
- All deck clamps shall be factory installed
- Powder coated to match vertical post as specified

Hardware:

- All required hardware shall be included in shipment
- All Fasteners are Stainless Steel
- Stainless Steel Grade 304
- Tamper-resistant button head TORX on principle connections
- Special tools shall be supplied in shipment
- Resistant to rust & corrosion

Installation Instructions:

- Descriptive instructions shall be provided
- Instructions shall include maintenance recommendations
- Instructions shall include full color 3D illustrations
- Instructions shall include top view details
- Instructions shall include footing details





Our Watermill is a completely recirculating water wheel system with kid-powered wheel and pump. It will foster cooperation—the wheel can be turned in opposite directions to drain into two different water bowls. No electronics and no plumbing needed! This playground water unit is a self-contained system with a filter in the reservoir and drain-plugs in the water bowls for easy clean-out.

The Watermill includes 3 Water Bowls, Pump & Reservoir. Available with or without a roof. Two configurations: Compact or Linear. [Flat plastic lids](#) sold separately.

Product Specifications (may vary based on your selection)

Weight

N/A

Dimensions	<i>N/A</i>
Roof Options	<i>No Roof, With Roof</i>
Configuration	<i>Compact, Linear</i>
Assembly	<i>Installation Required</i>
Age Group	<i>Infant (6-23 Months), Toddler (18-36 Months), Preschool (2-5 Years)</i>
Material	<i>RSP (Recycled Structural Plastic), EcoColor Flat Plastic – recycled Post-Consumer Hardware, Polycarbonate (heavy duty, shatter resistant)</i>
Accommodates	<i>2-4</i>
ADA Accessible	<i>ADA Accessible</i>
Safety Standards	<i>Canadian Standards Association (CSA)</i>
Color Palette	<i>Cardinal, Coffee Shoppe, Creamsicle, Cumulus, Nature Rocks, Primary, Spring, Su</i>
What type of surfacing?	<i>Rubber Mulch, Poured Rubber, Rubber Tiles, Wood Chips, Turf, Other</i>



Our Watermill is a completely recirculating water wheel system with kid-powered wheel and pump. It will foster cooperation—the wheel can be turned in opposite directions to drain into two different water bowls. No electronics and no plumbing needed! This playground water unit is a self-contained system with a filter in the reservoir and drain-plugs in the water bowls for easy clean-out.

The Watermill includes 3 Water Bowls, Pump & Reservoir. Available with or without a roof. Two configurations: Compact or Linear. [Flat plastic lids](#) sold separately.

Product Specifications (may vary based on your selection)

Weight

N/A

Dimensions	<i>N/A</i>
Roof Options	<i>No Roof, With Roof</i>
Configuration	<i>Compact, Linear</i>
Assembly	<i>Installation Required</i>
Age Group	<i>Infant (6-23 Months), Toddler (18-36 Months), Preschool (2-5 Years)</i>
Material	<i>RSP (Recycled Structural Plastic), EcoColor Flat Plastic – recycled Post-Consumer Hardware, Polycarbonate (heavy duty, shatter resistant)</i>
Accommodates	<i>2-4</i>
ADA Accessible	<i>ADA Accessible</i>
Safety Standards	<i>Canadian Standards Association (CSA)</i>
Color Palette	<i>Cardinal, Coffee Shoppe, Creamsicle, Cumulus, Nature Rocks, Primary, Spring, Su</i>
What type of surfacing?	<i>Rubber Mulch, Poured Rubber, Rubber Tiles, Wood Chips, Turf, Other</i>



DESCRIPTION

The Open Hex Table is one of our most popular picnic tables. Built from standard-sized 2"x4", 2"x6" and 2"x10" planks made out of recycled plastic, the engineered design delivers structural strength with easy-access seating for 6. We designed it with a central 'propeller' that is much stronger than the mitered & bolted centers on others so you can move it without the worry of breaking connections or loosening bolts. The individual seats are one piece to eliminate 'pinch points' and provide more strength and are easy to assemble to the supports.

Cleaning your outdoor hexagon table is a breeze because it's made of non-porous recycled plastic boards. It's easy to clean with soap and water, and you can use the

sanitizing product of your choice because the recycled plastic is not affected by harsh chemicals. It's non-leaching, non-toxic and safe for food, kids, pets, water – everywhere! The stainless steel fasteners won't rust so it's great for use near freshwater lakes or saltwater.

Ours is the best hex table for comfort

Our Open Hex Table is larger than most, with a bit more legroom so all may sit comfortably. The Open Hexagon is also available as a [wheelchair accessible table](#) version that provides easy-access seats for 4 additional guests. It comes with a 2" umbrella hole (umbrella not included) so it's ready for your umbrella or light torch, which is supported by the propeller center.

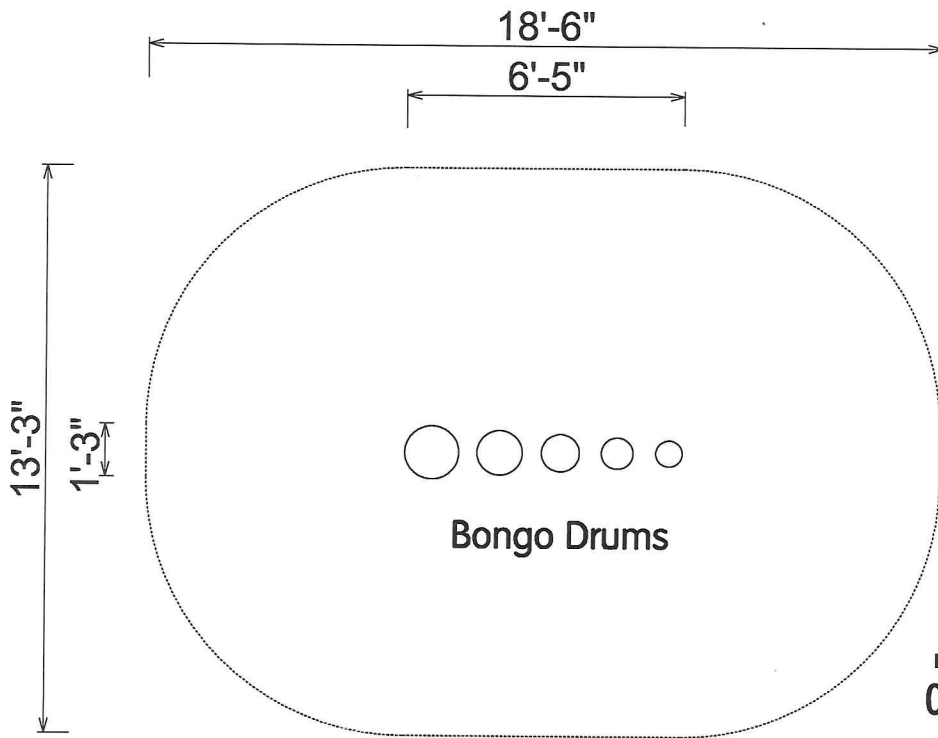
Assembly is easy because we pre-assemble the hex tabletop for you and include easy, illustrated instructions. We recommend using a drill-driver.

Made from 2136 recycled milk jugs!

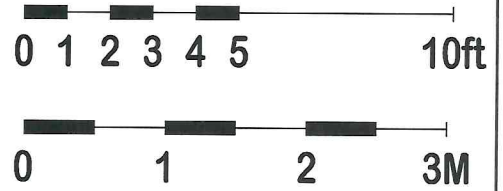
Features and Benefits:

- Made from 100% recycled HDPE plastic
- Stainless steel fasteners ensure extended durability
- Our unique center 'propeller' provides structural strength and integrity
- All components have UV protected color molded through
- Guaranteed against moisture, rot, mold, insects, splitting and peeling
- Never needs paint or stain
- Non-porous so it's easy to clean and graffiti resistant
- Non-leaching so it's safe for marinas, lakeside, pets, and kids
- 20-year commercial warranty

Top View Detail



Compliance:
 This play structure has been designed to meet the safety requirements established in:
 - 2010 ADA Standard
 - ASTM F1487
 - CPSC Pub #325
 when the play structure is installed over a properly maintained surfacing material which is in compliance with:
 - ASTM F1292
 - ASTM F1951
 and is appropriate for the highest designated play surface of the structure.



Head Start Hidalgo County

Drawing No: FM-1812
 Date: 23-12-2021
 Scale: To Fit



Structure Size: 6'-5"X1'-3"X2'-10"
 Recommended Use Zone: 18'-6"X13'-3"
 Surface Area: 266 Sq Ft

HDPS:
 Age Group: 2-12
 Capacity: 1
 Weight: 95 lbs

Play RGV LLC



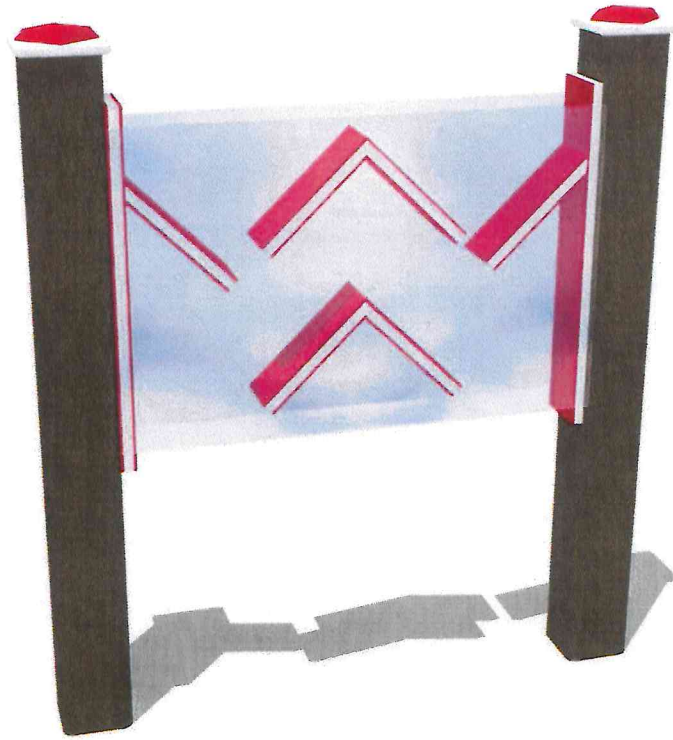
The interactive playground Colors Panel has movable knobs to teach children basic colors. Fun shapes provide visual cues. The Colors Panel is a great addition to any toddler playground, preschool, or daycare facility. Children learn about colors while playing. The panel is sized so children can reach the knobs and move them to match the correct color spelling.

Truly interactive, this playground Colors Panel can even be ordered to show the colors spelled out in Cherokee, English, Spanish or other specified language (custom order). Install either in-ground or wall-mounted.

This is a fun play element to any playground or [Outdoor Classroom](#) area. Combine the Colors panel with our [Numbers/Clock](#), [Weather](#), or [Sign Language](#) panels to offer a [Linguistics](#) complement to your school playground.

Product Specifications (may vary based on your selection)

Weight	<i>96 lbs</i>
Dimensions	<i>42 × 6 × 43 in</i>
Accommodates	<i>1-2</i>
Age Group	<i>Toddler (18-36 Months), Preschool (2-5 Years)</i>
Assembly	<i>Installation Required</i>
Material	<i>RSP (Recycled Structural Plastic), EcoColor Flat Plastic – recycled Post-Consumer Hardware</i>
ADA Accessible	<i>ADA Accessible</i>
Safety Standards	<i>U.S. Consumer Product Safety Commission's (CPSC), American Society for Testing & Materials F2373 (ages 6-23 mos), Canadian Standards Association F2373 (ages 6-23 mos)</i>
Language	<i>Cherokee, English, Spanish, Custom/Specify</i>
Installation Style	<i>In-Ground, Wall Mounted</i>
What type of surfacing?	<i>Rubber Mulch, Poured Rubber, Rubber Tiles, Wood Chips, Turf, Other</i>



Our Sand Chute Wall for the playground inspires learning and exploration! Children can pour sand, water, gravel, small balls, pebbles, etc. into the top of the chute mazes and watch through clear plastic as the materials dance their way down through the bottom. This piece is exceptional when combined with a sandbox. Available as a standalone or make it a “combo” with the [Sand Ramp Wall](#). (3 posts – combine to build the [Sand Chute & Ramp Combo!](#)).

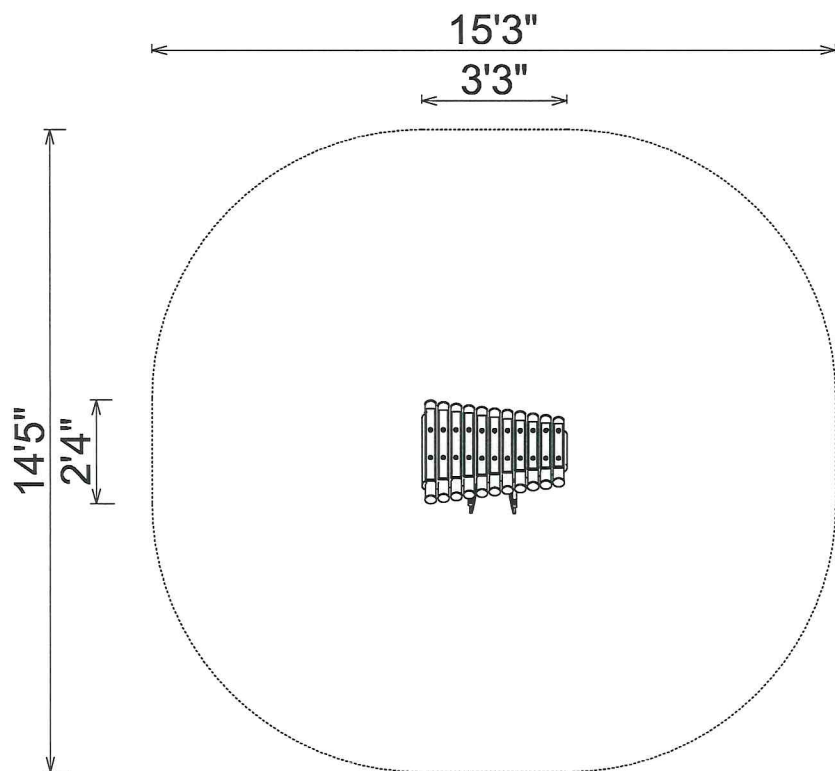
Panels are 24"W x 16"H (not including posts) Overall height adjustable from 24"-36"H.

Product Specifications (may vary based on your selection)

Weight

76 lbs

Dimensions	<i>4 × 59 × 36 in</i>
Assembly	<i>Installation Required</i>
Age Group	<i>Infant (6-23 Months), Toddler (18-36 Months), Preschool (2-5 Years)</i>
Accommodates	<i>2-3</i>
ADA Accessible	<i>ADA Accessible</i>
Material	<i>RSP (Recycled Structural Plastic), EcoColor Flat Plastic – recycled Post-Consumer Hardware, Polycarbonate (heavy duty, shatter resistant)</i>
Safety Standards	<i>U.S. Consumer Product Safety Commission's (CPSC), American Society for Testing & Materials F2373 (ages 6-23 mos), Canadian Standc</i>



Compliance:
 This play structure has been designed to meet the safety requirements established in:
 - 2010 ADA Standard
 - ASTM F1487
 - CPSC Pub #325
 when the play structure is installed over a properly maintained surfacing material which is in compliance with:
 - ASTM F1292
 - ASTM F1951
 and is appropriate for the highest designated play surface of the structure.

Head Start Hidalgo County

Drawing No: FM-1801
 Date: 03-02-2023
 Scale: To Fit

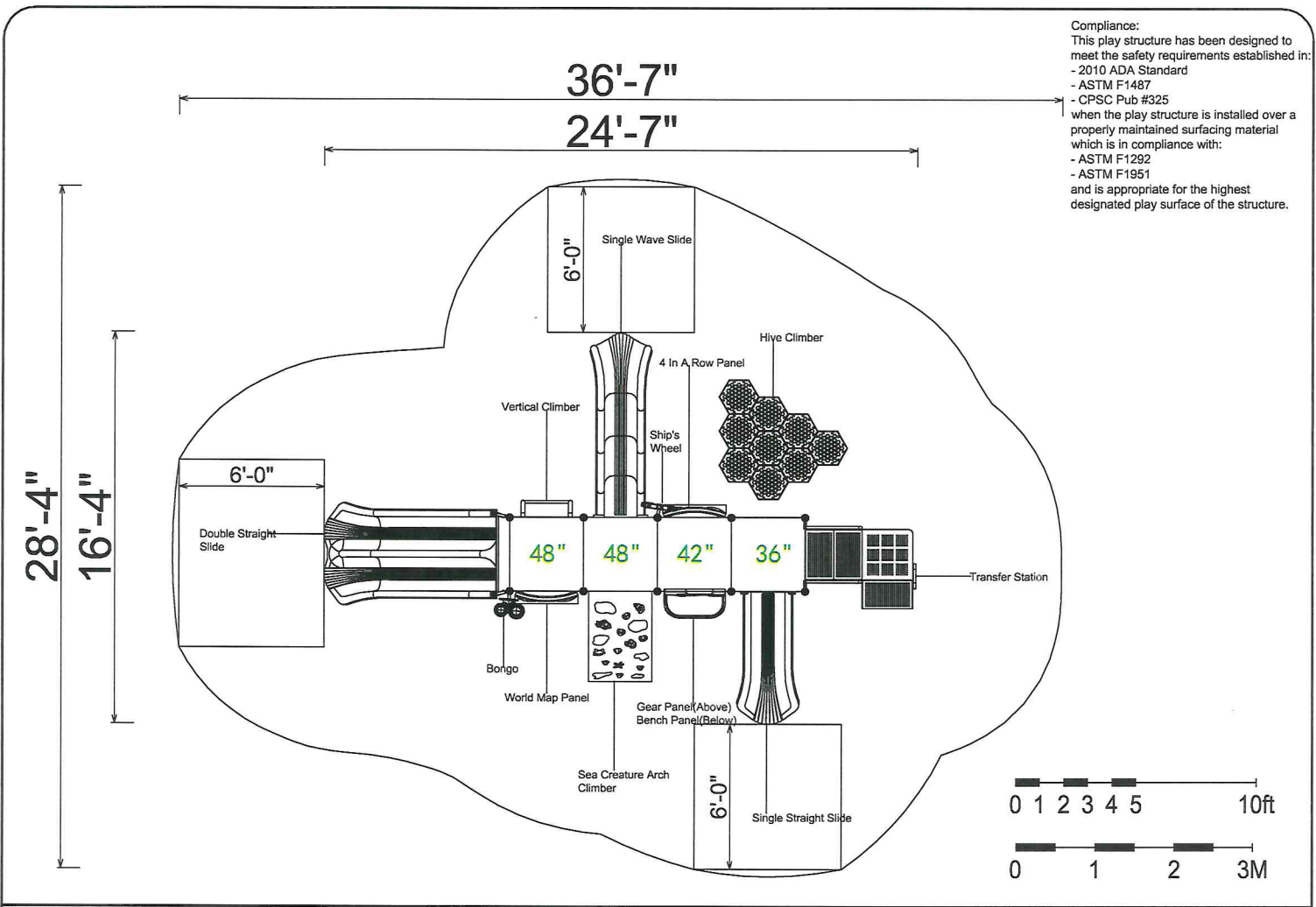


Structure Size: 3'-3"x2'-4"x3'-10"
 Recommended Use Zone: 15'-3"x 14'-5"
 Surface Area: 240 Sq Ft

HDPS:
 Age Group: 2-12
 Capacity: 1
 Weight: 101 lbs

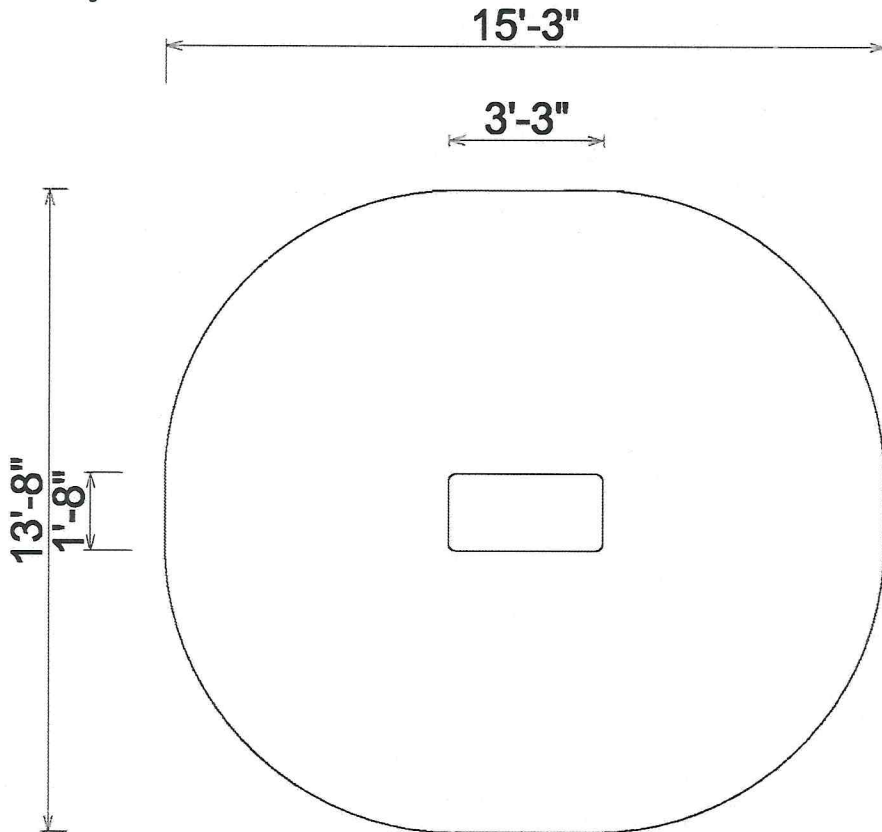
Play RGV LLC

Compliance:
 This play structure has been designed to meet the safety requirements established in:
 - 2010 ADA Standard
 - ASTM F1487
 - CPSC Pub #325
 when the play structure is installed over a properly maintained surfacing material which is in compliance with:
 - ASTM F1292
 - ASTM F1951
 and is appropriate for the highest designated play surface of the structure.

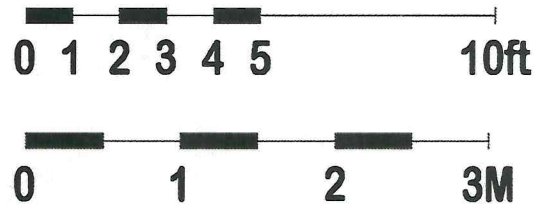


Head Start Hidalgo County	Drawing No:	KP-38945		Structure Size:	24'-7" x 16'-4" x 9'-5"	HDPS:	4'	Play RGV LLC
	Date:	02-09-2024		Recommended Use Zone:	36'-7" x 28'-4"	Age Group:	2-12	
	Scale:	To Fit		Surface Area:	1073 Sq Ft	Capacity:	26-30	

Top View Detail



Compliance:
 This play structure has been designed to meet the safety requirements established in:
 - 2010 ADA Standard
 - ASTM F1487
 - CPSC Pub #325
 when the play structure is installed over a properly maintained surfacing material which is in compliance with:
 - ASTM F1292
 - ASTM F1951
 and is appropriate for the highest designated play surface of the structure.



Head Start Hidalgo County

Drawing No: TS-1008
 Date: 15/10/2024
 Scale: To Fit



Structure Size: 3'-3"X1'-8"X7'-11"
 Recommended Use Zone: 13'-8"X15'-3"
 Surface Area: 224 Sq Ft

HOPS:
 Age Group: 2-12
 Capacity: 1
 Weight: 132 lbs

Play RGV LLC



From:

**KidsTale Playgrounds/ Qitele Co, LTD
7810 Fairbank North Houston Rd Ste 100
Houston, TX 77040**

To: Whom it May Concern

Qitele Company, LTD/ KidsTale playgrounds is an international manufacture of playgrounds and playground products located in Xiaojing Industrial Zone, Wenzhou City, Zhejiang, China. We supply playgrounds globally; USA, Africa, Australia, Asia and Europe. All our product meet and exceed ASTM & IPEMA standards. KidsTale Playground, Inc has been suppling some of the most premium playground in the USA for 16 years with one of the most industry leading warranties in the industry.

If you have any further questions or comments, please feel free to reach out to me anytime.

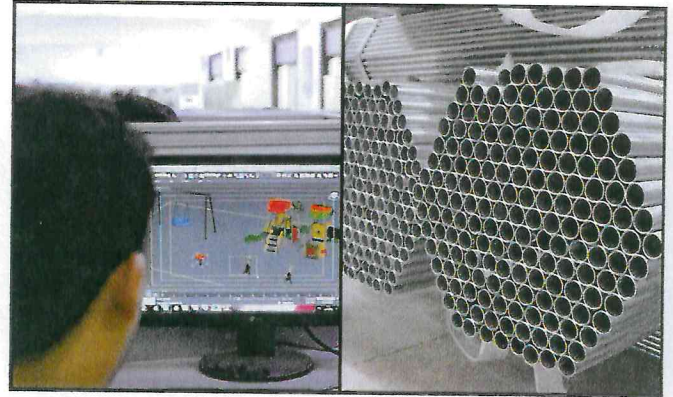
Sean Dodds

A handwritten signature in black ink that reads "Sean Dodds".

**National Sales Manager
KidsTale Playgrounds, Inc
601-573-9228**

Design and Raw Materials

Every story has a beginning. The product quality story begins with a measured and thoughtful design. A team of highly talented and experienced playground designers will transform your ideas into functional pieces of play. Once designed, using our stringent standards, we source the highest quality steel, weld wire, composite plastic resin, and HDPE resin for a long-lasting and low-maintenance playground.



Fabrication and Production

KidsTale continuously invests back into the company. To exceed the high standards and expectations set by the North American playground market, a new facility and significant renovations to our existing facility have been completed. Experienced and highly skilled personnel are at the heart of our production efforts. They facilitate the art of production using hi-tech equipment such as robotic saws, presses, welders to craft precision parts that are, in turn, assembled to create your ideal play space.

Coating and Finishing

Once fabrication is completed with the steel components, the parts move to the painting department. There, an additional inspection while being hung on our new paint line. Each part is thoroughly washed here, so dust and tiny metal shavings do not contaminate the finish coating. Then each piece is meticulously coated with a fine poly powder coating. This powder coating is then baked onto each part, creating a seal that dramatically slows down the natural corrosive properties of nature.



Packing and Shipping

To ensure your playground arrives on-site in the same condition as it was when manufactured, each piece is carefully wrapped in a renewable and recyclable cotton blanket, and a color-coded shipping label is applied. The part is staged to be loaded on a container. The shipping department takes great care in loading each container, so your playground arrives undamaged at the distribution warehouse, where your order is carefully sorted and created, and loaded on a truck destined to your site.

KIDSTALE WARRANTY

- One Hundred Year (100) Limited Warranty on aluminum and steel upright posts against structural failure due to deterioration, corrosion or workmanship.
- One Hundred Year (100) Limited Warranty on hardware against structural failure due to deterioration, corrosion or workmanship.
- One Hundred Year (100) Limited Warranty on post caps and clamps against structural failure due to deterioration, corrosion or workmanship.
- Fifteen Year (15) Limited Warranty on rails, rungs, rigid climbers, loops and decks against structural failure due to deterioration, corrosion and workmanship.
- Fifteen Year (15) Limited Warranty on all HDPE and rotational molded plastic components against structural failure due to materials or workmanship.
- Three Year (3) Limited Warranty on all blow molded plastics against structural failure due to materials or workmanship.
- Three Year (3) Limited Warranty on Child Center and Tree Center units, all models.
- Five Year (5) Limited Warranty on cables and nets against premature wear due to natural deterioration or manufacturing defects.
- Five Year (5) Limited Warranty on moving parts against structural failure due to materials or workmanship.
- One Year (1) Limited Warranty on all materials and products not covered above against failure due to materials or workmanship.

KIDSTALE warrants to its original customer for as long as the original customer owns the product and uses the product with normal use and installation in accordance with published specifications to be free from defects in materials and workmanship.

This warranty does not cover damage from misuse, vandalism, modified parts or damage such as dents, scratches, fading/weathering and normal wear and tear.

Warranty claims must be filed within the applicable warranty period. Warranty replacement does not include the cost of labor for part replacement. Replacement parts carry the applicable warranty from the date of shipment of the replacement part.

ISO 9001

An industry certification process issued by the International Organization for Standardization. It is used to measure manufacturing standards and to certify company compliance with quality control systems covering design, development, production, installation, inspection and testing.



ASTM

ASTM International is an independent and world renowned developer of technical standards utilized in testing a multitude of products. ASTM's F15.29 committee met regularly for over a decade in the continual development of the F1487 Standard Consumer Safety Performance Specifications for Playground Equipment for Public Use. The original standard, F1487-93 was published in 1993 and subsequently replaced by the current version ASTM F1487-11, published November 2011

ASTM INTERNATIONAL
100 Barr Harbor Drive
West Conshohocken, PA 19428-2959
Website: www.astm.org

E-mail: service@astm.org



Qitele Group is a member in good standing of IPEMA, the International Play Equipment Manufacturers Association. IPEMA is a member-driven, international trade organization that represents and promotes an open market for manufacturers of play equipment.



'In the interest of playground safety, the International Play Equipment Manufacturers Association (IPEMA) provides a Third Party Certification Service whereby a designated independent laboratory, Detroit Testing Laboratory, Inc., (DTL), validates an equipment manufacturer's certification of conformance to ASTM F1487, Standard Consumer Safety Performance Specification for Playground Equipment for Public Use, except sections 7.1.1, 10 and 12.6.1; to CAN/CSA Z614, Children's Playspaces and Equipment, except clauses 9.8, 10 & 11; or both. The use of the corresponding logo in Qitele Group's catalog signifies that Qitele Group has received written validation from the independent laboratory that the product(s) associated with the use of the logo conforms to the requirements of the indicated standard. Check the IPEMA website (www.ipema.org) to confirm product validation.'

IPEMA

4305 N. 6th Street, Suite A.
Harrisburg, PA 17110
Website: www.ipema.org

E-mail: certification@ipema.org



CPSC

The Consumer Product Safety Commission is an independent agency within the United States Federal Government with the authority to inform the public of current product safety performance information and recommended practices. The CPSC first published their guidelines for public playgrounds in 1981 and have updated their publication several times since then. The current CPSC Handbook for Public Playground Safety, publication #325, is an excellent guide for owners and operators of public play environments

U.S. CONSUMER PRODUCT SAFETY COMMISSION
Washington, DC 20207
Website: www.cpsc.gov

E-mail: info@cpsc.gov



CPSIA – Qitele Group's products meet or exceed the requirements of the Consumer Products Safety Improvement Act (CPSIA) of 2008

CSA – Qitele Group's products meet or exceed the requirement of the CAN/CSA-Z614/14

