



**Planning
Department**

Anthony Uresti
Director of Planning

Main Office

2818 S. Business Hwy 281
Edinburg, Texas 78539
Phone (956) 318-2840

Precinct No. 1 Substation

1900 Joe Stephens Ave. Ste. A
Weslaco, TX 78596
Phone (956) 968-4734

Precinct No. 3 Substation

2401 N. Moorefield Road
Mission, Texas 78572
Phone (956) 205-7045

PIPELINE AND UTILITY PERMIT APPLICATION PACKET

THE STATE OF TEXAS

COUNTY OF HIDALGO

PRECINCT 1

**APPLICATION AND AGREEMENT FOR PIPELINE OR
UTILITY PERMIT**

Date: 02-04-2026

ALEGRE CONSTRUCTION LLC (hereinafter referred to as "Applicant") does hereby make application to the Hidalgo County through the Hidalgo County Planning Department (hereinafter referred to as "HCPD") to construct, maintain and repair pipelines or utilities across the easements, right-of-ways, property or property interest as described below.

Information required:

1. Name, Address and Phone number of Applicant:

Gumercido Cantu 956-578-5414

2204 Cedro Drive, San Juan, Texas 78589

2. Name, Address and Phone number of company or agency owning Pipeline or Utility (please indicate if same as Applicant):

N/A

3. Name, Address and Phone number of operator of Pipeline or Utility (please indicate if same as Applicant):

Gumercido Cantu 956-578-5414

2204 Cedro Drive, San Juan, Texas 78589

4. Name, Address and Phone number of contractor to install Pipeline or Utility:

Gumercido Cantu 956-578-5414

2204 Cedro Drive, San Juan, Texas 78589



Planning Department

Anthony Uresti
Director of Planning

Main Office

2818 S. Business Hwy 281
Edinburg, Texas 78539
Phone (956) 318-2840

Precinct No. 1 Substation

1900 Joe Stephens Ave. Ste. A
Weslaco, TX 78596
Phone (956) 968-4734

Precinct No. 3 Substation

2401 N. Moorefield Road
Mission, Texas 78572
Phone (956) 205-7045

PIPELINE AND UTILITY PERMIT APPLICATION PACKET

5. Is this a common carrier pipeline or utility? If yes, please submit the Applicant's Texas Railroad Commission Form "T-4" or similar form designating the facility:

N/A

6. Does Applicant have the Power of Eminent Domain?

N/A

7. Will the product be carried for hire or by the owner of the goods?

N/A

8. Name and Legal description of property owner requesting utility services if applicable:

10.035 Acres out lot 9, block 68, Capisallo District Subdivision

Voume P, Page 227 (proposed McWes Estates Subd.)

9. Type of utility work within county road right-of-way:

Bore Crossing Line Extension Along R.O.W. Other OPEN CUT

10. Where is the origin of the line?

Existing 3" water line east of Mile 1 East Road.

11. Where is the destination of the line?

Prop. crossing west of Mile 1 East Road



Planning Department

Anthony Uresti
Director of Planning

Main Office

2818 S. Business Hwy 281
Edinburg, Texas 78539
Phone (956) 318-2840

Precinct No. 1 Substation

1900 Joe Stephens Ave. Ste. A
Weslaco, TX 78596
Phone (956) 968-4734

Precinct No. 3 Substation

2401 N. Moorefield Road
Mission, Texas 78572
Phone (956) 205-7045

PIPELINE AND UTILITY PERMIT APPLICATION PACKET

12. Utility Crossing Coordinate X: 26.120474 Y: -97.893435
(NAD 83 Texas South FIPS 4205 feet)
13. Number and size of lines:
1 - 3" PVC water line w/ a 6" PVC casing

14. Pressure (each line):

31 PSI

15. Content (each line):
Potable Water

16. Estimated date of installation of Pipeline or Utility:
As soon as approved by Commissioners Court



Planning Department

Anthony Uresti
Director of Planning

Main Office

2818 S. Business Hwy 281
Edinburg, Texas 78539
Phone (956) 318-2840

Precinct No. 1 Substation

1900 Joe Stephens Ave. Ste. A
Weslaco, TX 78596
Phone (956) 968-4734

Precinct No. 3 Substation

2401 N. Moorefield Road
Mission, Texas 78572
Phone (956) 205-7045

PIPELINE AND UTILITY PERMIT APPLICATION PACKET

If requested permit is granted by HCPD, Applicant, in consideration thereof, agrees and binds itself as follows:

1. All pipelines or utilities herein will be horizontally placed within the right-of-way as determined by HCPD and at a minimum depth of five (5) feet below natural ground. Depth, horizontal, and vertical location shall be confirmed by HCPD Inspectors.
2. Location map, profile, and plans concerning the proposed pipeline or utility crossing will furnished with this application.
3. HCPD will be notified in writing ten days prior to the beginning date of construction under this permit.
4. Applicant will bear the entire expense of all future relocations of any pipelines or utilities should such relocation, at the sole discretion of the Hidalgo County Commissioners Court, be necessary for improvements, alteration, or maintenance of Hidalgo County's easement or property of interest.
5. Applicant will notify the HCPD at least 48 hours prior to covering work and or completion of its work and removal of its equipment from the job site to permit HCPD to make an inspection.
6. Upon notification by the HCPD, the Applicant will promptly repair or rectify any deficiency or condition caused by the Applicant's operations or installations under this permit. Applicant will leave easement in as near the same condition or better, in the HCPD's sole judgment, as it existed prior to the commencement of the operations under this permit.
7. Hidalgo County shall not be liable or responsible for, and shall be saved and held harmless by Applicant, and further shall be indemnified by Applicant, from and against any and all suits, actions, losses, damages, claims, or liability of any character, type, or description, including all expenses of litigation, court costs, attorney's fees, and engineering fees for injury or death to any person, or injury to any property, received or sustained by any person or persons or property, arising out of, or occasioned by, directly or indirectly, the performance of Applicant under this agreement, including claims and damages arising in part from the negligence of Hidalgo County.



Planning Department

Anthony Uresti
Director of Planning

Main Office

2818 S. Business Hwy 281
Edinburg, Texas 78539
Phone (956) 318-2840

Precinct No. 1 Substation

1900 Joe Stephens Ave. Ste. A
Weslaco, TX 78596
Phone (956) 968-4734

Precinct No. 3 Substation

2401 N. Moorefield Road
Mission, Texas 78572
Phone (956) 205-7045

PIPELINE AND UTILITY PERMIT APPLICATION PACKET

It is the expressed intent of the parties to this agreement that the indemnity provided for in this section is extended by Applicant to indemnify and protect Hidalgo County from the consequences of Hidalgo County's own negligence, whether that negligence is the sole or contributory cause of the resultant injury death, or damage.

Applicant further agrees to defend, at its own expense, with attorneys acceptable to Hidalgo County and on behalf of Hidalgo County, and in the name of Hidalgo County, any claim or litigation brought against Hidalgo County in connection with any such injury, death or damage.

Before construction is begun on such pipeline or utility crossings, Applicant will furnish to the HCPD a certificate of insurance (or other security approved by the HCPD) payable to Hidalgo County and protecting Hidalgo County (as an additional named insured) against any claims for personal injuries or damages to property resulting from the operations of Applicant, its agents, servants, employees, and contractors under this permit. Insurance is to be supplied in accordance with the attached Schedule A.

8. Hidalgo County makes no warranties, expressed or implied, in the granting of this permit; nor does Hidalgo County purport to grant any property interest or exclusive privileges whatsoever by granting such permit. It is specifically understood that Hidalgo County is not the agent for, nor does it act for, the fee owners or any persons or entities having any right, or title to possession of the land upon which Hidalgo County's easement or other property interest is located. Furthermore, in granting this permit Hidalgo County makes no representation or warranty that it has any property interest, including, but not limited to, an easement or right of way, in the land upon which Applicant constructs, maintains, repairs, or modifies the pipelines or utilities, made the subject of this application, nor does Hidalgo County make any representation or warranty as to the validity, quality or extent of such property interest, if any. Applicant acknowledges its understanding that Hidalgo County in granting this permit, does not convey or grant to Applicant any rights, title or interest for which is has no legal authority to grant or convey.
9. Applicant binds itself to comply with all federal, state, and local laws or regulations and will obtain all necessary permits from all local and federal agencies required by law before installation or construction is begun.



Planning Department

Anthony Uresti
Director of Planning

Main Office

2818 S. Business Hwy 281
Edinburg, Texas 78539
Phone (956) 318-2840

Precinct No. 1 Substation

1900 Joe Stephens Ave. Ste. A
Weslaco, TX 78596
Phone (956) 968-4734

Precinct No. 3 Substation

2401 N. Moorefield Road
Mission, Texas 78572
Phone (956) 205-7045

PIPELINE AND UTILITY PERMIT APPLICATION PACKET

10. Applicant will install its pipelines and utilities in a manner and location as shown in the plans and specifications filed with HCPD in support of this application for permit. Hidalgo County Planning Department's representative may at any time make such inspection as such engineer or other representation may deem necessary to assure that the construction of the pipeline or utilities is in accordance with the plans and specifications submitted, and said engineer or representative shall have the right to temporarily suspend Applicant's work if necessary, while such inspection is being made. Should Applicant not install the pipelines or utilities in accordance with the terms and conditions of this permit, Applicant agrees that Hidalgo County shall have the right to require, at Applicant's expense, the removal of the pipelines and utilities and its replacement in conformance to said plans and specifications and conditions of this permit. Hidalgo County may revoke this permit and suspend all work hereunder if it is determined by Hidalgo County that the pipelines or utilities are not being installed in accordance with such plans and specifications and conditions of this permit. The suspension or revocation of this permit shall not be a basis for a claim for damages against Hidalgo County.
11. Except in emergency situations where it is necessary to protect life and property, Applicant will not make any change, modification, or alteration in or to the pipelines or utilities without first securing a new or amended permit from Hidalgo County prior to the making of any such change. Applicant will maintain the pipelines or utilities hereby authorized in good and safe condition, and in accordance with plans, specifications, and this permit.
12. Applicant agrees to pay HCPD a permit fee to cover administrative costs in the amount of **\$500.00**, plus a reimbursement to HCPD for any necessary engineering fees which may be incurred for the study and processing of the Application. This fee will permit a single pipeline or utility to be within County right-of-way. Applicant further agrees to pay an additional fee of **\$500.00** for each additional line included in permit application at the same location; however, more than one location may be included in a single application.

Requests to lay additional line or lines, not included in an initial permit application, must be made by separate application, with new permit fees paid accordingly and support data provided.



Planning Department

Anthony Uresti
Director of Planning

Main Office

2818 S. Business Hwy 281
Edinburg, Texas 78539
Phone (956) 318-2840

Precinct No. 1 Substation

1900 Joe Stephens Ave. Ste. A
Weslaco, TX 78596
Phone (956) 968-4734

Precinct No. 3 Substation

2401 N. Moorefield Road
Mission, Texas 78572
Phone (956) 205-7045

PIPELINE AND UTILITY PERMIT APPLICATION PACKET

Permit fees may be waived where Applicant is a state, county, municipality, or a special political subdivision.

13. The Applicant is allowed one hundred twenty days (120) from the granting of the permit to start construction of the pipelines or utilities crossings. Once started, the Applicant is allowed ninety (90) days to complete all work under such permit. All construction must be completed within two hundred ten (210) days from the date of issuance of permit. Upon application, extension of the time periods set forth in this paragraph may be granted by the Hidalgo County Commissioners Court. Such applications for extension must be received by HCPD at least thirty days before the expiration of the two hundred ten (210) days period. A new permit fee, in accordance with Paragraph 12 hereof, will be charged for each extension granted.

Construction of any pipeline or utility crossing will not begin until written approval has been given by HCPD.

14. All provisions of the Pipeline and Utility Permit Administration Policy of Hidalgo County, if any, and all amendments thereto, are hereby incorporated herein as part of the terms and conditions of this permit for all purposes.
15. Applicant warrants and represents that it has secured from all fee owners of the involved property an easement or other property rights to construct, repair or modify the pipeline or utility in the manner set forth herein.
16. This Pipeline and Utility Permit if granted by Hidalgo County is subject to any and all other requirements, specifications and conditions listed in Exhibit A attached hereto.
17. Hidalgo County requires all coordinates of all utility crossings. Horizontal datum to be in NAD 83 State Plane Texas South 4205 feet and vertical datum in NAVD 88 Geoid 12a.



**Planning
Department**

Anthony Uresti
Director of Planning

Main Office

2818 S. Business Hwy 281
Edinburg, Texas 78539
Phone (956) 318-2840

Precinct No. 1 Substation

1900 Joe Stephens Ave. Ste. A
Weslaco, TX 78596
Phone (956) 968-4734

Precinct No. 3 Substation

2401 N. Moorefield Road
Mission, Texas 78572
Phone (956) 205-7045

PIPELINE AND UTILITY PERMIT APPLICATION PACKET

18. This permit constitutes the entire agreement between the parties with regard to the subject matter hereof, and all prior agreements, representations, and negotiations between the parties regarding the subject matter are hereby superseded. This permit shall not be altered or amended except by an agreement in writing executed by the parties hereto.

19. Applicant warrants and represents that its undersigned representative has full authority to bind Applicant to the terms and conditions of the foregoing Application and Agreement for Pipeline or Utility Permit.

DATED this 04 day of Februray, 2026.

Gumercido Cantu

(Name of Applicant – Printed or Typed)

By: *Gumercido Cantu*

Signature

Title: Contractor / Owner

STATE OF TEXAS
COUNTY OF HIDALGO

SUBSCRIBED AND SWORN TO before me the Applicant,
Gumercido Cantu, on this 5 day of February, 2026,
to which witness my hand and seal of office.



Melanie Cantu
Notary Public for the State of Texas

My Commission Expires: June 5, 2029



**Planning
Department**

Anthony Uresti
Director of Planning

Main Office

2818 S. Business Hwy 281
Edinburg, Texas 78539
Phone (956) 318-2840

Precinct No. 1 Substation

1900 Joe Stephens Ave. Ste. A
Weslaco, TX 78596
Phone (956) 968-4734

Precinct No. 3 Substation

2401 N. Moorefield Road
Mission, Texas 78572
Phone (956) 205-7045

PIPELINE AND UTILITY PERMIT APPLICATION PACKET

**APPROVAL OF APPLICATION BY
HIDALGO COUNTY PLANNING DEPARTMENT**

Came on for consideration this _____ day of _____,
20____. The above and foregoing Application for Pipeline and Utility
Permit, and after consideration of the same by the Hidalgo County
Commissioners Court, said Application and Agreement for Pipeline or
Utility Permit is hereby APPROVED.

HIDALGO COUNTY:

Richard F. Cortez, County Judge



Planning Department

Anthony Uresti
Director of Planning

Main Office

2818 S. Business Hwy 281
Edinburg, Texas 78539
Phone (956) 318-2840

Precinct No. 1 Substation

1900 Joe Stephens Ave. Ste. A
Weslaco, TX 78596
Phone (956) 968-4734

Precinct No. 3 Substation

2401 N. Moorefield Road
Mission, Texas 78572
Phone (956) 205-7045

PIPELINE AND UTILITY PERMIT APPLICATION PACKET

EXHIBIT A

(Please insert description of project location and supporting documents for proposed utility work)

SEE ATTACHED SUBDIVISION PLANS



CERTIFICATE OF LIABILITY INSURANCE

DATE (MM/DD/YYYY)
02/04/2026

THIS CERTIFICATE IS ISSUED AS A MATTER OF INFORMATION ONLY AND CONFERS NO RIGHTS UPON THE CERTIFICATE HOLDER. THIS CERTIFICATE DOES NOT AFFIRMATIVELY OR NEGATIVELY AMEND, EXTEND OR ALTER THE COVERAGE AFFORDED BY THE POLICIES BELOW. THIS CERTIFICATE OF INSURANCE DOES NOT CONSTITUTE A CONTRACT BETWEEN THE ISSUING INSURER(S), AUTHORIZED REPRESENTATIVE OR PRODUCER, AND THE CERTIFICATE HOLDER.

IMPORTANT: If the certificate holder is an **ADDITIONAL INSURED**, the policy(ies) must be endorsed. If **SUBROGATION IS WAIVED**, subject to the terms and conditions of the policy, certain policies may require an endorsement. A statement on this certificate does not confer rights to the certificate holder in lieu of such endorsement(s).

PRODUCER SANDRA ZAMORA INSURANCE AGENCY LLC 2013 N CONWAY AVE MISSION, TX 78572	CONTACT NAME: SANDRA ZAMORA PHONE (A/C, No, Ext): 956-585-1984 E-MAIL ADDRESS: SZinsurance@yahoo.com	FAX (A/C, No): 956-585-8984	
	INSURER(S) AFFORDING COVERAGE		NAIC #
INSURED ALEGRE CONSTRUCTION LLC 2204 CEDRO DR SAN JUAN, TX 78589	INSURER A: PENN-AMERICA INSURANCE CO		
	INSURER B:		
	INSURER C:		
	INSURER D:		
	INSURER E:		
	INSURER F:		


COVERAGES **CERTIFICATE NUMBER:** **REVISION NUMBER:**

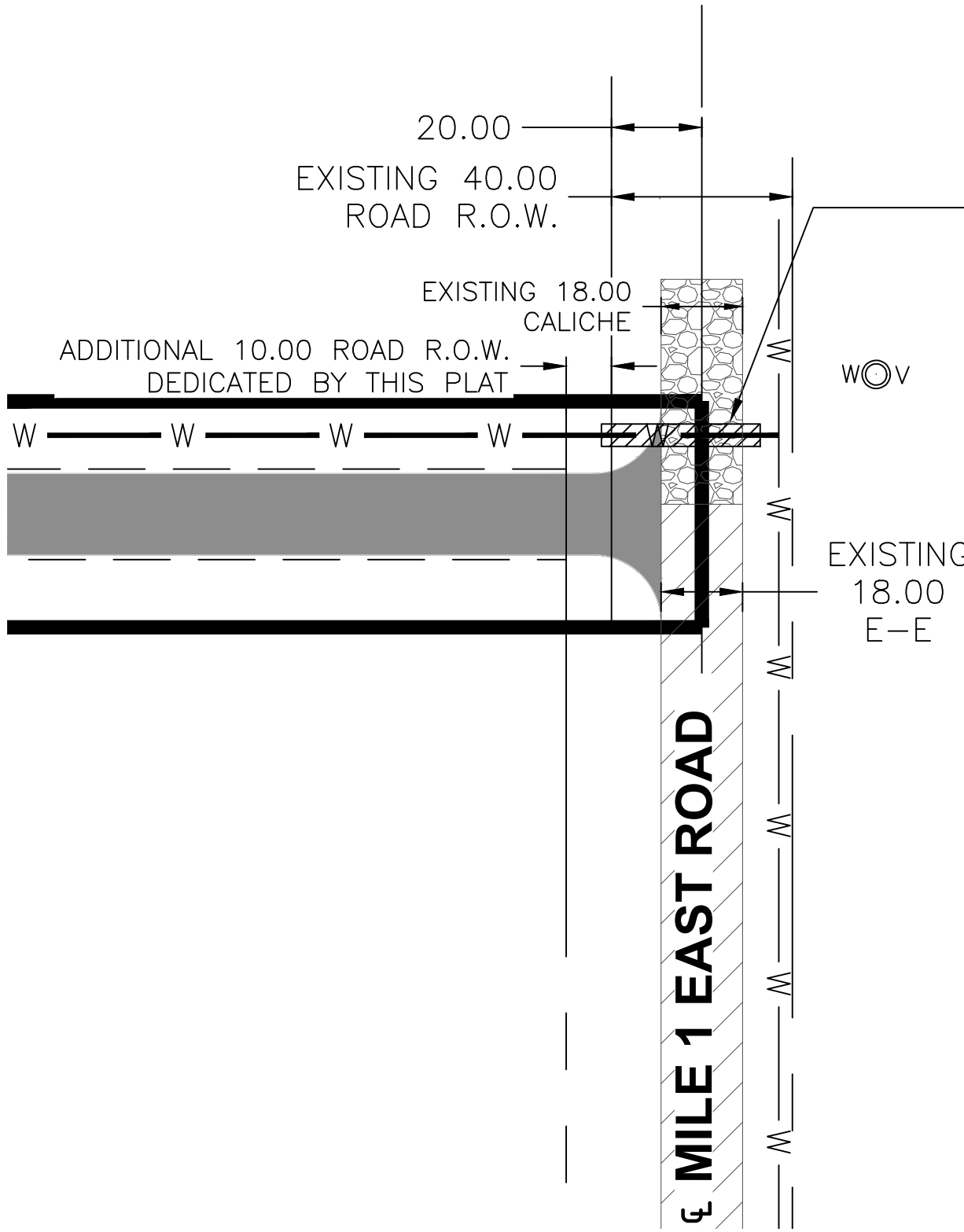
THIS IS TO CERTIFY THAT THE POLICIES OF INSURANCE LISTED BELOW HAVE BEEN ISSUED TO THE INSURED NAMED ABOVE FOR THE POLICY PERIOD INDICATED. NOTWITHSTANDING ANY REQUIREMENT, TERM OR CONDITION OF ANY CONTRACT OR OTHER DOCUMENT WITH RESPECT TO WHICH THIS CERTIFICATE MAY BE ISSUED OR MAY PERTAIN, THE INSURANCE AFFORDED BY THE POLICIES DESCRIBED HEREIN IS SUBJECT TO ALL THE TERMS, EXCLUSIONS AND CONDITIONS OF SUCH POLICIES. LIMITS SHOWN MAY HAVE BEEN REDUCED BY PAID CLAIMS.

INSR LTR	TYPE OF INSURANCE	ADDL/SUBR		POLICY NUMBER	POLICY EFF (MM/DD/YYYY)	POLICY EXP (MM/DD/YYYY)	LIMITS	
		INSR	WVD					
A	GENERAL LIABILITY			PAV0589965	01/29/26	01/29/27	EACH OCCURRENCE	\$ 500,000
	<input checked="" type="checkbox"/> COMMERCIAL GENERAL LIABILITY	<input checked="" type="checkbox"/>					DAMAGE TO RENTED PREMISES (Ea occurrence)	\$ 100,000.
	<input type="checkbox"/> CLAIMS-MADE <input checked="" type="checkbox"/> OCCUR						MED EXP (Any one person)	\$ 5,000
	Professional Liability						PERSONAL & ADV INJURY	\$ 500,000.
GEN'L AGGREGATE LIMIT APPLIES PER:							GENERAL AGGREGATE	\$ 500,000.
<input checked="" type="checkbox"/> POLICY	<input type="checkbox"/> PRO-JECT	<input type="checkbox"/>	<input type="checkbox"/> LOC				PRODUCTS - COMP/OP AGG	\$ 500,000.
	AUTOMOBILE LIABILITY						PROFESSIONAL LIABILITY	\$
	ANY AUTO						COMBINED SINGLE LIMIT (Ea accident)	\$
	ALL OWNED AUTOS						BODILY INJURY (Per person)	\$
	HIRED AUTOS						BODILY INJURY (Per accident)	\$
							PROPERTY DAMAGE (Per accident)	\$
	UMBRELLA LIAB							\$
	EXCESS LIAB						EACH OCCURRENCE	\$
	DED						AGGREGATE	\$
	RETENTION \$							\$
	WORKERS COMPENSATION AND EMPLOYERS' LIABILITY						WC STATU-TORY LIMITS	OTH-ER
	ANY PROPRIETOR/PARTNER/EXECUTIVE OFFICE/MEMBER EXCLUDED? (Mandatory In NH) If yes, describe under DESCRIPTION OF OPERATIONS below	Y/N	N/A				E.L. EACH ACCIDENT	\$.
							E.L. DISEASE - EA EMPLOYEE	\$.
							E.L. DISEASE - POLICY LIMIT	\$.

DESCRIPTION OF OPERATIONS / LOCATIONS / VEHICLES (Attach ACORD 101, Additional Remarks Schedule, if more space is required)

Certificate holder are named as Additional Insured

CERTIFICATE HOLDER Hidalgo County Planning Department 2818 S BUSINESS HWY 281 EDINBURG, TX 78539	CANCELLATION SHOULD ANY OF THE ABOVE DESCRIBED POLICIES BE CANCELLED BEFORE THE EXPIRATION DATE THEREOF, NOTICE WILL BE DELIVERED IN ACCORDANCE WITH THE POLICY PROVISIONS.
	AUTHORIZED REPRESENTATIVE Sandra Zamora 



PROP. WATER SYSTEM ASSEMBLY.

- 1 - 3"x3"x3" MJ TEE
- 1 - 3" VALVE W/ BOX
- 1 - 6"x28' PVC CASING BORE CROSSING

20.00
EXISTING 40.00
ROAD R.O.W.

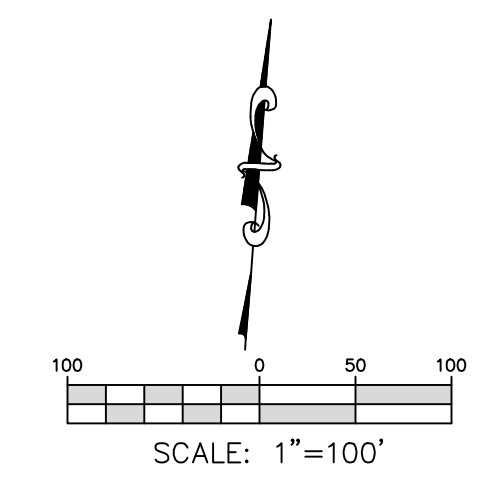
EXISTING 18.00
CALICHE

ADDITIONAL 10.00 ROAD R.O.W.
DEDICATED BY THIS PLAT

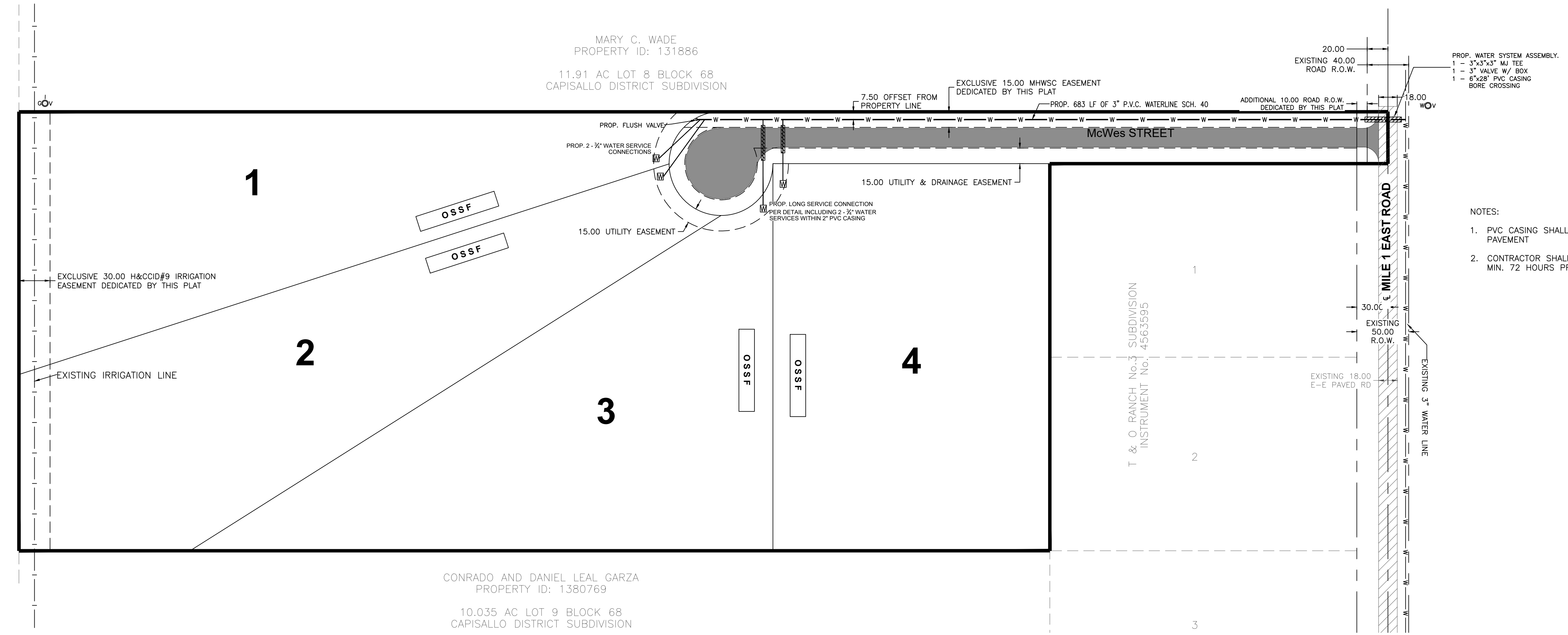
W⊙V

EXISTING
18.00
E-E

1 MILE 1 EAST ROAD



JEROME W. WADE AND MARGARET WADE
 PROPERTY ID: 131891
 28.00 AC LOT 10 BLOCK 68
 CAPISALLO DISTRICT SUBDIVISION



- NOTES:
1. PVC CASING SHALL EXTEND 5 FEET BEYOND PAVEMENT
 2. CONTRACTOR SHALL COORDINATE WITH MHWSC MIN. 72 HOURS PRIOR TO WATER LINE TIE-IN.

MARY C. WADE
 PROPERTY ID: 131886
 11.91 AC LOT 8 BLOCK 68
 CAPISALLO DISTRICT SUBDIVISION

CONRADO AND DANIEL LEAL GARZA
 PROPERTY ID: 1380769
 10.035 AC LOT 9 BLOCK 68
 CAPISALLO DISTRICT SUBDIVISION

T & O RANCH No. 3
 SUBDIVISION
 INSTRUMENT No. 4563595

McWES ESTATES SUBDIVISION
 A 10.035 ACRES TRACT OUT OF LOT 9, BLOCK 68, CAPISALLO DISTRICT SUBDIVISION, HIDALGO COUNTY, TEXAS, VOLUME P PAGE 227, MAP RECORDS OF HIDALGO COUNTY, TEXAS



THE SEAL APPEARING ON THIS DOCUMENT WAS AUTHORIZED BY JOSE OMAR RODRIGUEZ, P.E. No. 133529. ALTERATION OF A SEALED DOCUMENT WITHOUT PROPER NOTIFICATION TO THE RESPONSIBLE ENGINEER IS AN OFFENSE UNDER THE TEXAS ENGINEERING PRACTICE LAW.

M.H.W.S.C. WATER DISTRIBUTION DESIGN

ROSE GROUP CONSULTING LLC
 TBPELS Reg. No. F-26392
 414 La Villita Dr - Donna, TX 78537
 956.472.5591



Jose Tovar <jose.tovar@co.hidalgo.tx.us>

Re: McWes Estates Subd. - OPEN CUT CROSSING

1 message

Daniel Guzman <daniel.guzman@co.hidalgo.tx.us>

Thu, Feb 5, 2026 at 3:42 PM

To: Jose Tovar <jose.tovar@co.hidalgo.tx.us>

Cc: Flor Sesin <flor.sesin@co.hidalgo.tx.us>, David Suarez <david.suarez@co.hidalgo.tx.us>, orodriguezeng844@gmail.com, alegreconstructionllc@gmail.com

Mr. Tovar-

Hidalgo County Precinct No. 1 has no objections to the proposed open cut on the caliche base section of the road on Mile 1 East Road.

Regards.

Danny Guzman
R.O.W. Agent
Office of Commissioner DAVID L FUENTES
HIDALGO COUNTY PCT.1
1902 Joe Stephens, Ste.101
Weslaco, TX 78599
(956) 968-8733 Ext. 1032

On Wed, Feb 4, 2026 at 3:43 PM Jose Tovar <jose.tovar@co.hidalgo.tx.us> wrote:

Good afternoon, Mr. Guzman,

We have received a request from the engineer and contractor for the McWes Estates Subdivision to propose a 3-inch PVC water line crossing Mile 1 East Road via an open cut. The area they plan to cross is not paved and consists only of a section of caliche base. The engineer has provided pictures of the intended crossing area for your review.

Please let me know if you have any objections to this proposal or if you have any recommendations regarding the proposed pipeline crossing permit application.

If you have any questions, feel free to reach out.

Thank you.

JOSE R. TOVAR
HIDALGO COUNTY SUBDIVISION COORDINATOR
2818 S. BUS HWY 281
EDINBURG TX, 78539
OFFICE: 956-318-2840
<https://www.hidalgocounty.us/261/Planning>