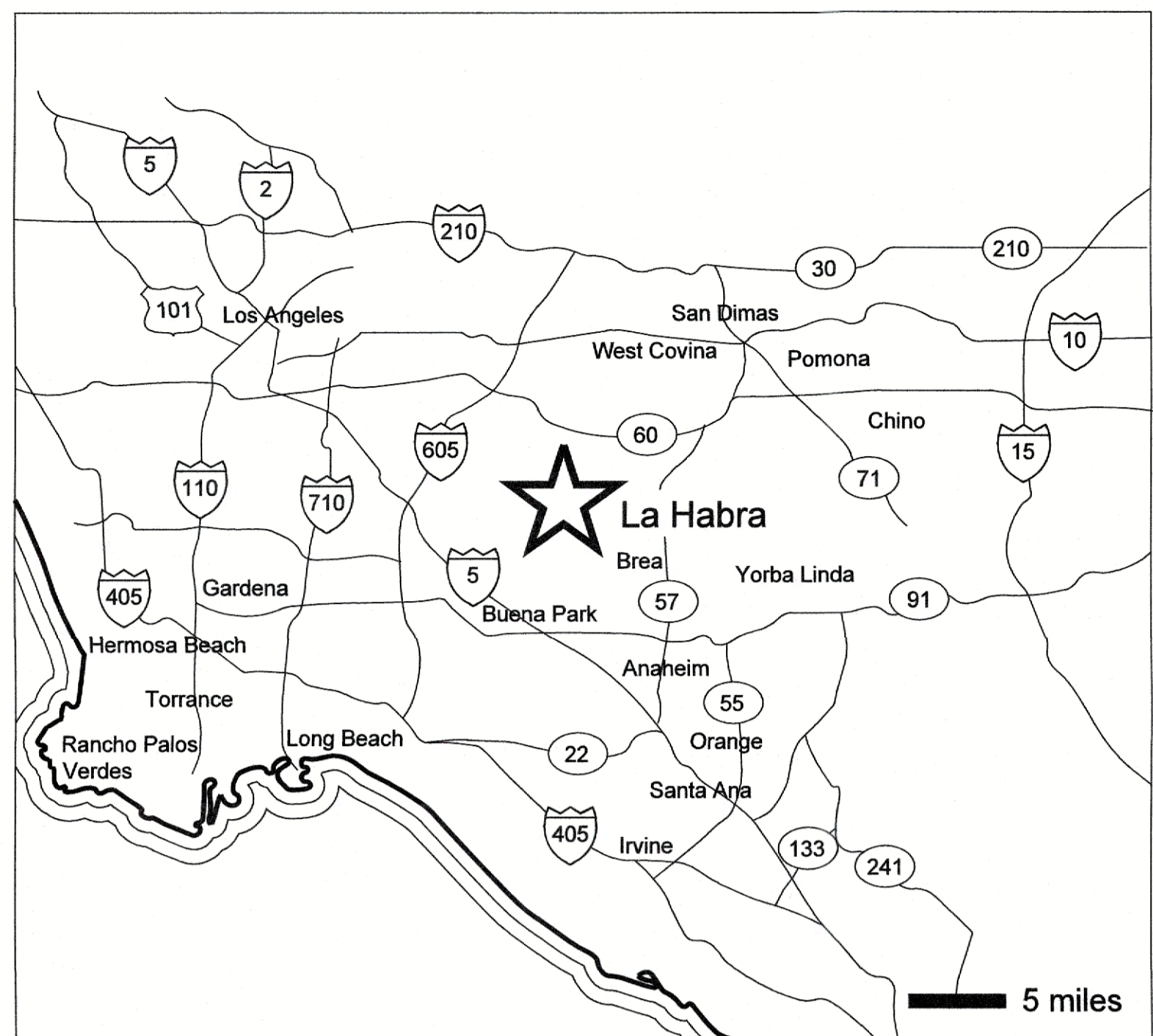


CITY OF LA HABRA DEPARTMENT OF PUBLIC WORKS ENGINEERING DIVISION

NEIGHBORHOOD E,A,C TRAFFIC MANAGEMENT PLANS

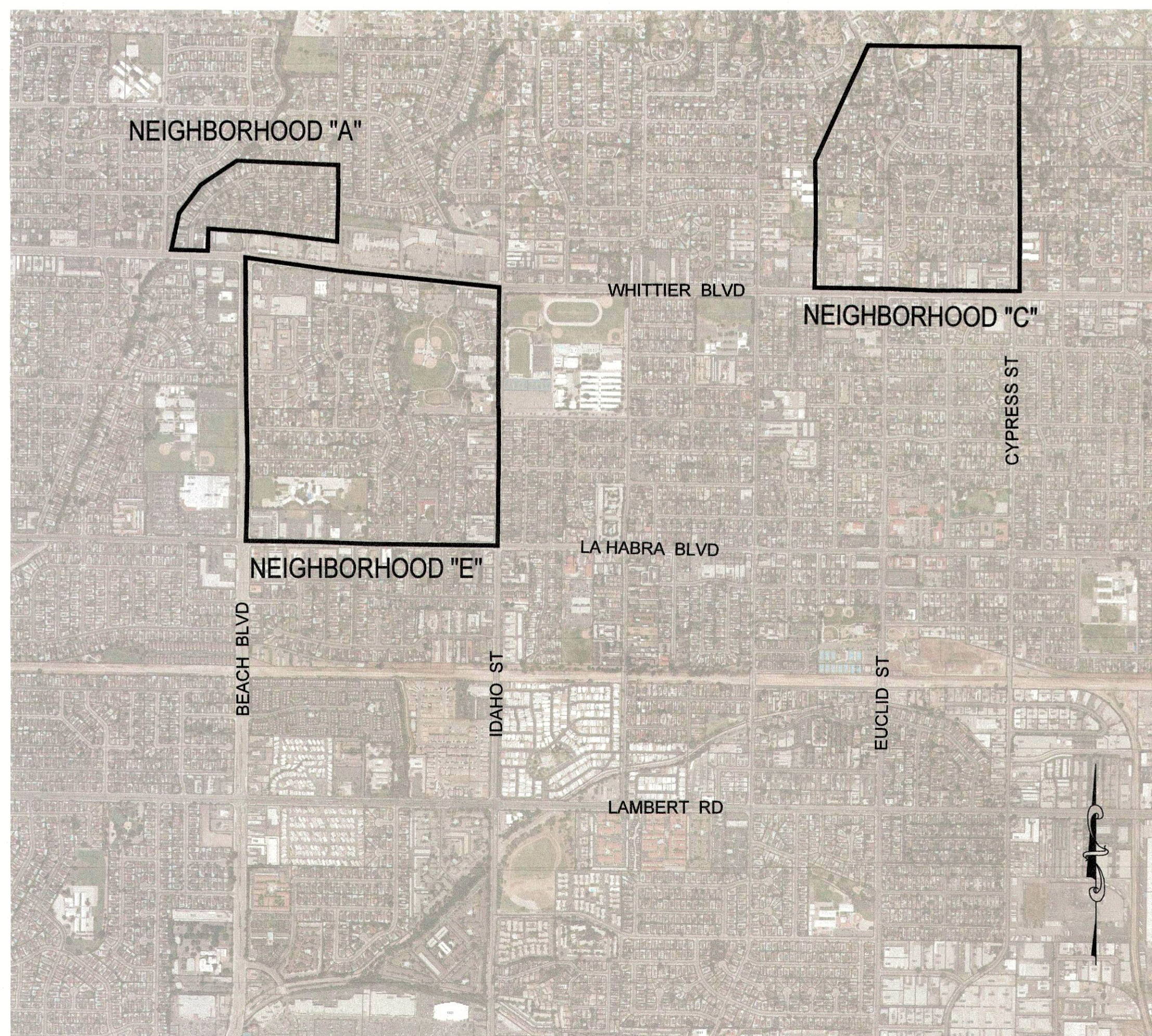
PROJECT NO. 4-TC-20



VICINITY MAP
NO SCALE

GENERAL NOTES

1. ALL WORK SHALL CONFORM TO THE CALIFORNIA MANUAL ON UNIFORM TRAFFIC CONTROL DEVICES (CA MUTCD), DEPARTMENT OF TRANSPORTATION STANDARD PLANS & SPECIFICATIONS, STANDARD SPECIFICATIONS FOR PUBLIC WORKS CONSTRUCTION (GREENBOOK) AND THE PROJECT SPECIAL PROVISIONS, EACH OF THE MOST RECENT DATE.
2. THE CONTRACTOR SHALL OBTAIN A PERMIT FROM THE CITY PRIOR TO STARTING ANY CONSTRUCTION ACTIVITY. THE CONTRACTOR SHALL NOTIFY THE CITY OF LA HABRA PUBLIC WORKS DEPARTMENT AT LEAST TWO WORKING DAYS (48 HOURS) PRIOR TO STARTING CONSTRUCTION. CONTACT ENGINEERING AT (562) 383-4151.
3. IF APPLICABLE, ALL UNDERGROUND FACILITIES SHALL BE INSTALLED PRIOR TO SURFACING OF STREETS.
4. TRAFFIC CONTROL AND SAFETY DEVICES SHALL BE INSTALLED PER THE CALIFORNIA MANUAL ON UNIFORM TRAFFIC CONTROL DEVICES (CA MUTCD) OR A SITE SPECIFIC TRAFFIC CONTROL PLAN AND TO THE SATISFACTION OF THE CITY ENGINEER. TRAFFIC CONTROL IS THE CONTRACTOR'S RESPONSIBILITY. THE CONTRACTOR SETTING UP TEMPORARY TRAFFIC CONTROL SHALL BE CALIFORNIA C-31 LICENSED AND ATSSA CERTIFIED (OR APPROVED EQUAL).
5. EXISTING PAVEMENT DISTURBED BY THE CONSTRUCTION OF UNDERGROUND INSTALLATIONS SHALL BE REPLACED IN KIND & RESTRIPTED TO THE SATISFACTION OF THE CITY ENGINEER.
6. IT SHALL BE THE CONTRACTOR'S RESPONSIBILITY TO ARRANGE FOR AND COORDINATE THE RELOCATION OF ANY EXISTING UTILITIES DEEMED NECESSARY BY THE PROPOSED IMPROVEMENTS.
7. THE CONTRACTOR SHALL BE RESPONSIBLE FOR PROTECTION OF EXISTING UTILITIES. ANY DAMAGE TO SUCH FACILITIES CAUSED BY HIS WORK SHALL BE REPAIRED BY THE CONTRACTOR IMMEDIATELY AND AT HIS EXPENSE.
8. THE CONTRACTOR SHALL MAINTAIN THE WORK AREA (INCLUDING ADJACENT STREETS) IN A NEAT, CLEAN, DUST FREE AND SANITARY CONDITION TO THE SATISFACTION OF THE PUBLIC WORKS INSPECTOR. THE ADJACENT STREETS SHALL BE KEPT CLEAN OF DEBRIS, WITH DUST AND OTHER NUISANCES BEING CONTROLLED AT ALL TIMES. THE CONTRACTOR SHALL BE RESPONSIBLE FOR ANY CLEAN UP ON STREETS AFFECTED BY HIS CONSTRUCTION. STOCKPILING OF MATERIALS WITHIN THE PUBLIC RIGHT-OF-WAY IS NOT ALLOWED WITHOUT PRIOR WRITTEN APPROVAL OF THE PUBLIC WORKS INSPECTOR.
9. NEW CONCRETE SHALL MATCH EXISTING CONCRETE IN COLOR, FINISH, AND TEXTURE, TO THE APPROVAL OF THE ENGINEER.
10. CONTRACTOR SHALL OBTAIN ALL REQUIRED O.S.H.A. PERMITS PRIOR TO CONSTRUCTION OF UNDERGROUND FACILITIES.
11. ACCESS RAMPS, DRIVEWAY APRONS, CURBS, OR GUTTERS DISTURBED BY CONSTRUCTION SHALL BE REPLACED BY THE CONTRACTOR AND AT HIS EXPENSE AND TO THE SATISFACTION OF THE CITY ENGINEER.
12. ALL SAWCUTS SHALL BE PERFORMED BY USING THE WET-CUT METHOD, UNLESS OTHERWISE APPROVED BY THE ENGINEER, AND ALL SLURRY SHALL BE VACUUM REMOVED. SAWCUTS SHALL BE FULL DEPTH UNLESS OTHERWISE.
13. ALL SIGNING AND STRIPING SHALL BE IN ACCORDANCE WITH THE CALIFORNIA MANUAL ON UNIFORM TRAFFIC CONTROL DEVICES (CA MUTCD) LATEST EDITION.
14. LANDSCAPING AND IRRIGATION SYSTEMS DISTURBED BY THE CONTRACTOR SHALL BE REPAIRED OR REPLACED BY THE CONTRACTOR AT HIS EXPENSE AND TO THE ENGINEER'S SATISFACTION.
15. DRIVEWAYS ADJACENT TO THE WORK SHALL BE KEPT OPEN TO THE EXTENT POSSIBLE.
16. ACTUAL EXISTING SITE CONDITIONS MAY DIFFER FROM THOSE SHOWN. THE CONTRACTOR SHALL VERIFY SITE CONDITIONS PRIOR TO BIDDING AND CONSTRUCTION AND IMMEDIATELY NOTIFY THE ENGINEER OF DISCREPANCIES FOUND. THE CONTRACTOR SHALL VERIFY TO HIS SATISFACTION LOCATIONS OF ALL UTILITIES PRIOR TO BIDDING AND CONSTRUCTION. CONTRACTOR SHALL MAINTAIN AS-BUILT RECORDS OF EXISTING UTILITIES ENCOUNTERED AND INFORM THE ENGINEER IN CASE OF DISCREPANCIES.
17. THE CONSTRUCTION CONTRACTOR AGREES THAT IN ACCORDANCE WITH GENERALLY ACCEPTED CONSTRUCTION PRACTICES, CONSTRUCTION CONTRACTOR WILL BE REQUIRED TO ASSUME SOLE AND COMPLETE RESPONSIBILITY FOR JOB SITE CONDITIONS DURING THE COURSE OF CONSTRUCTION OF THE PROJECT, INCLUDING THE SAFETY OF ALL PERSONS AND PROPERTY; THAT THIS REQUIREMENT SHALL BE MADE TO APPLY CONTINUOUSLY AND NOT TO BE LIMITED TO NORMAL WORKING HOURS, AND CONSTRUCTION CONTRACTOR FURTHER AGREES TO DEFEND, INDEMNIFY, AND HOLD DESIGN PROFESSIONAL HARMLESS FROM ANY LIABILITY, REAL OR ALLEGED, IN CONNECTION WITH THE PERFORMANCE OF WORK ON THIS PROJECT, EXCEPTING LIABILITY ARISING FROM THE SOLE NEGLIGENCE OF DESIGN PROFESSIONAL. THE CITY MAY ALSO ELECT TO MOVE TRAFFIC MANAGEMENT DEVICES TO OTHER LOCATIONS WITHIN EACH NEIGHBORHOOD.
18. VEHICLES, EQUIPMENT OR OTHER MATERIAL SHALL BE STORED IN A STAGING YARD OR OTHER OFFSITE LOCATION AFTER EACH WORKING DAY. CONTRACTOR CANNOT STORE TRAFFIC CONTROL DEVICES ON THE STREET OVERNIGHT.
19. THE ENGINEER PREPARING THESE PLANS WILL NOT BE RESPONSIBLE FOR, OR LIABLE FOR, UNAUTHORIZED USE OF THESE PLANS. ALL CHANGES TO THE PLANS MUST BE IN WRITING AND MUST BE APPROVED BY THE PREPARER OF THESE PLANS.



LOCATION MAP
NO SCALE

INDEX

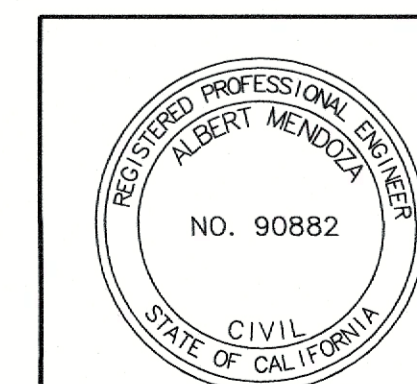
SHEET NO.	DESCRIPTION
1	TITLE SHEET
2	NEIGHBORHOOD "E" TRAFFIC MANAGEMENT PLAN
3	NEIGHBORHOOD "A" TRAFFIC MANAGEMENT PLAN
4	NEIGHBORHOOD "C" TRAFFIC MANAGEMENT PLAN
5	SIGN PLAN
6	INTERSECTION DETAIL AND SIGN PLAN

UNDERGROUND SERVICE ALERT (USA)

IT'S THE LAW!
DIAL BEFORE
YOU DIG!



CALL AT LEAST
TWO WORKING DAYS
BEFORE YOU DIG

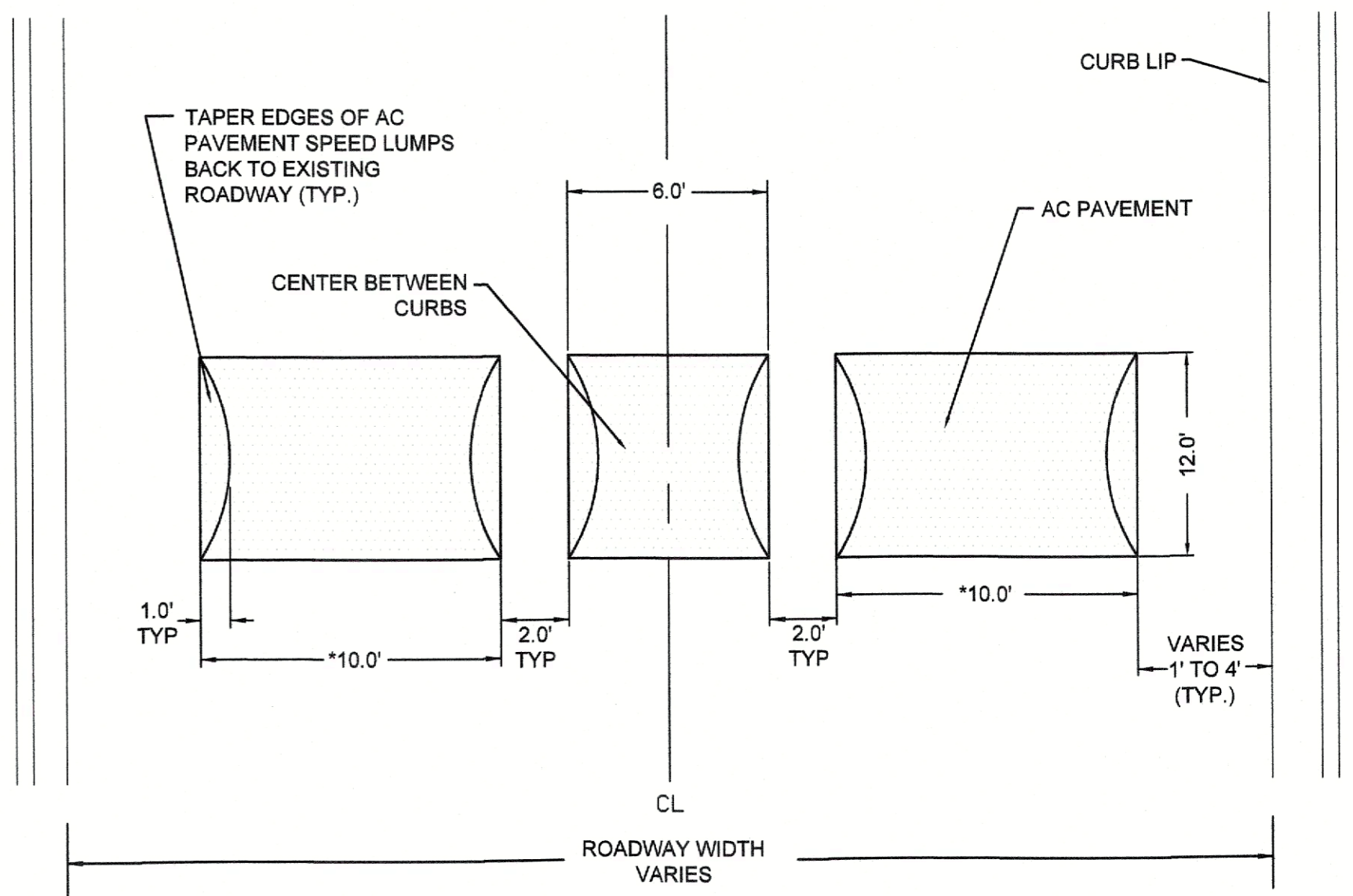
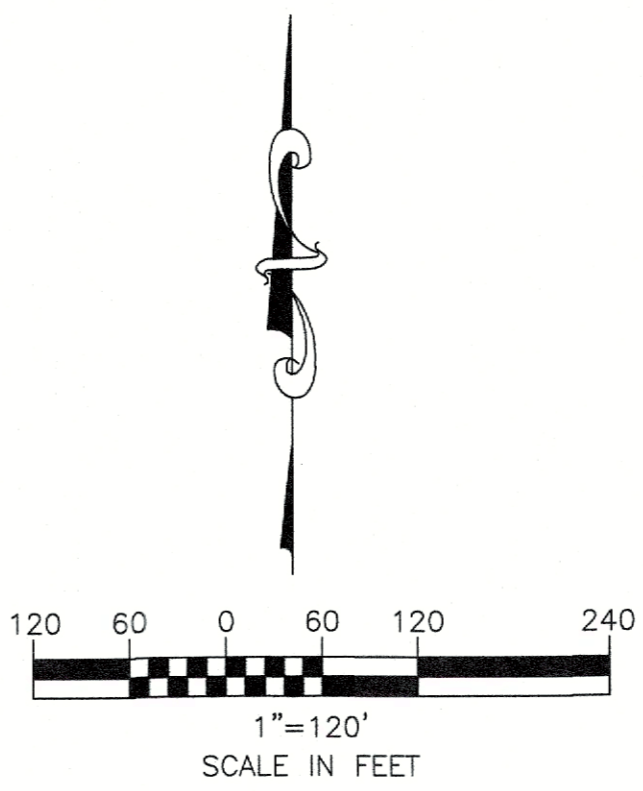


CITY OF LA HABRA	
NEIGHBORHOOD E,A,C TRAFFIC MANAGEMENT PLANS	
TITLE SHEET	
7-26-2022	
REVISIONS NO. 1 DATE: 8/4/2022	APPROVED BY: CITY ENGINEER DATE: 8/4/2022
RECOMMENDED BY: TRAFFIC ENGINEER DATE: 8/4/2022	PROJ. NO. 4-TC-20 SHEET 1 OF 6 SHEETS



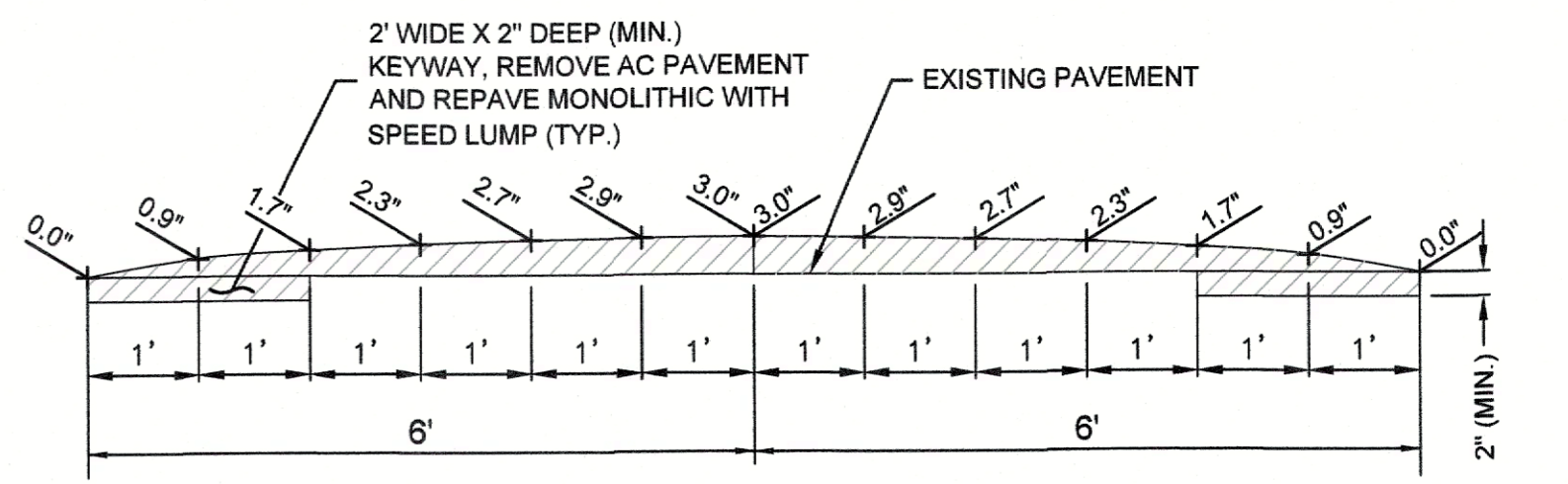
LEGEND:

- SIGN POST: PROPOSED TRAFFIC SIGN AND POST
- RRFB: PROPOSED SPEED LUMP
- RRFB: RECTANGULAR RAPID FLASHING BEACON



SPEED LUMP LAYOUT DETAIL

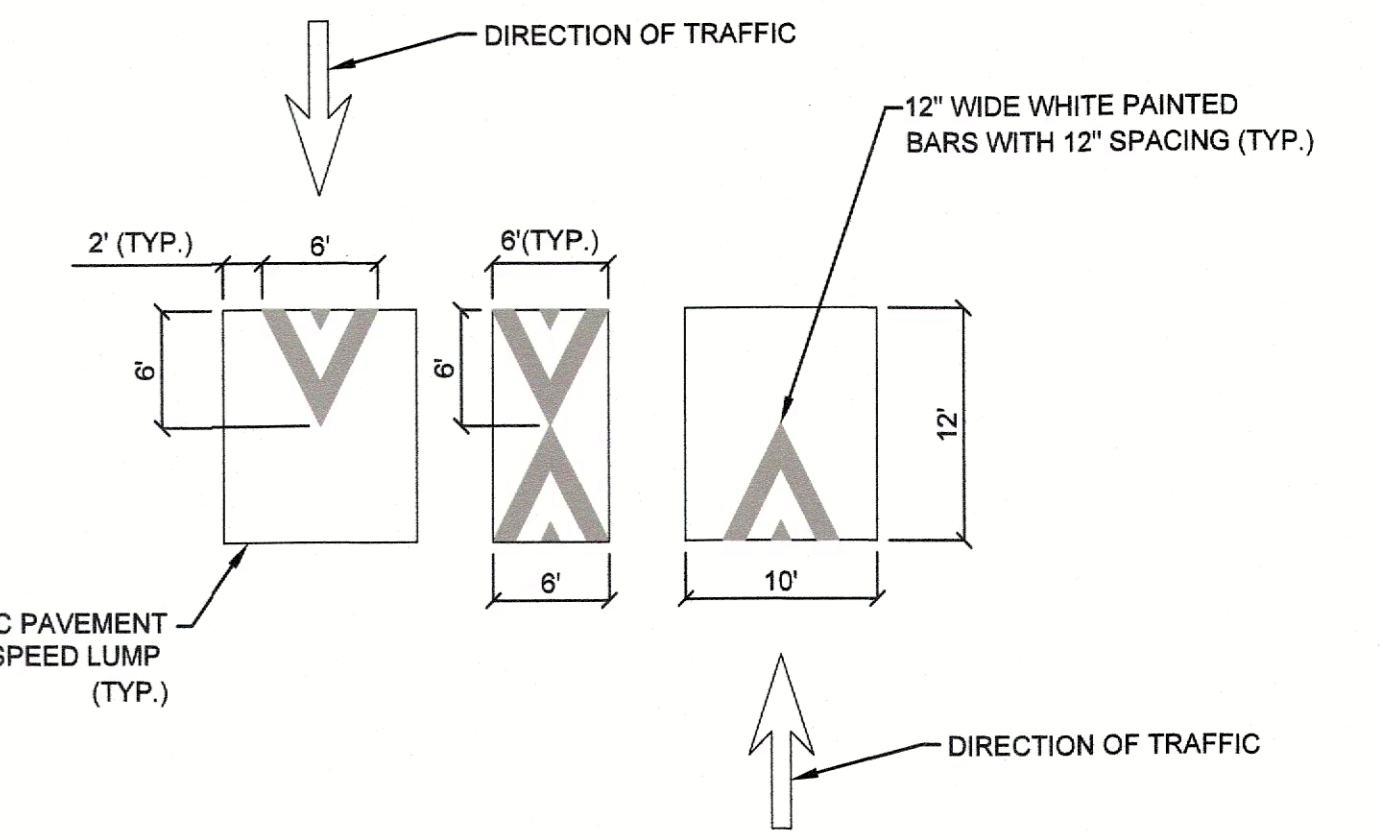
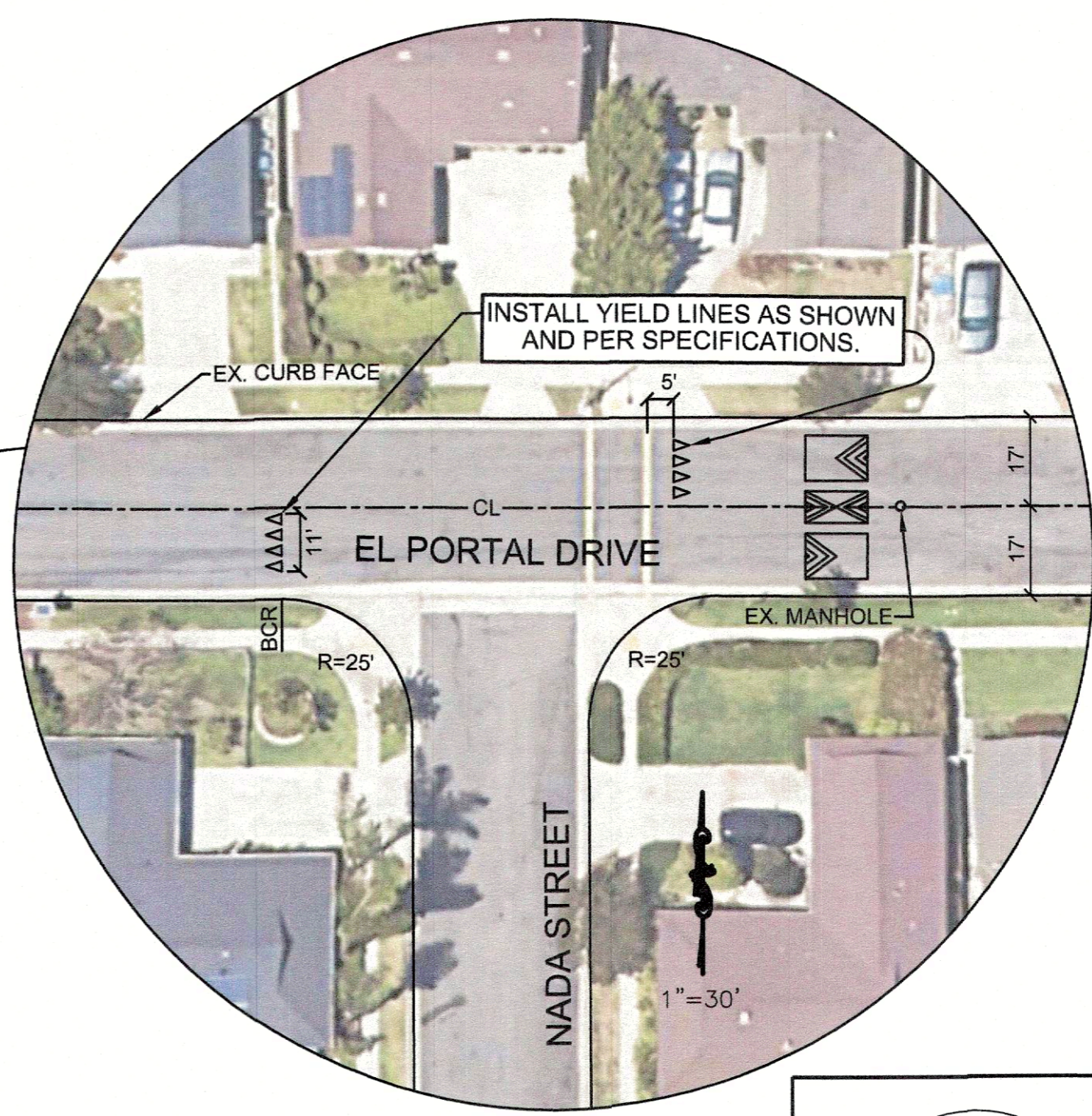
NOT TO SCALE
EXACT LOCATION TO BE DETERMINED BY THE ENGINEER AT THE TIME OF CONSTRUCTION
*VARIES PER LOCATION



PARABOLIC CROSS SECTION FOR AC PAVEMENT SPEED LUMP

NOTE: KEYWAY TYPICAL ALL FOUR SIDES

YIELD LINE LAYOUT DETAIL



SPEED LUMP STRIPING DETAIL

CITY OF LA HABRA
NEIGHBORHOOD E, A, C,
TRAFFIC MANAGEMENT PLANS

NEIGHBORHOOD "E"

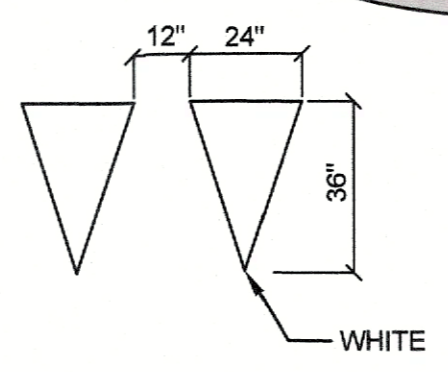
7-26-2022

REV	DATE	DESCRIPTION	BY
1			
2			
3			
4			

APPROVED BY: [Signature] CITY ENGINEER
DATE: 8-4-22

RECOMMENDED BY: [Signature] TRAFFIC ENGINEER
DATE: 8/4/22

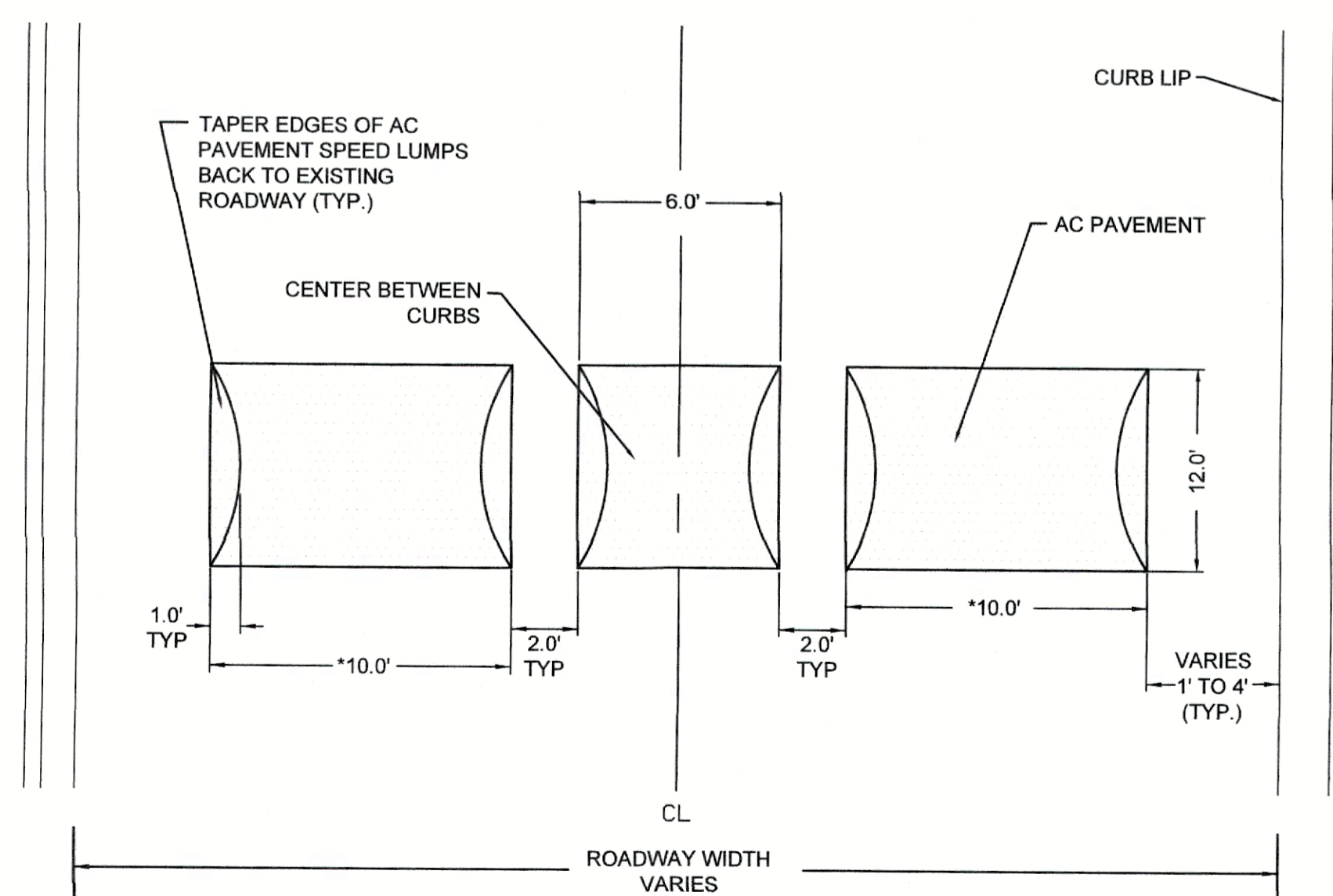
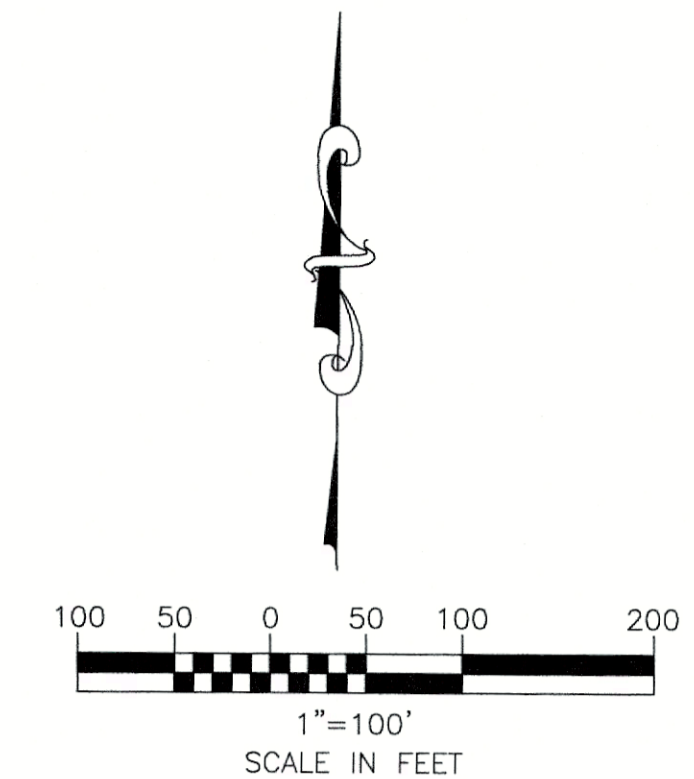
PROJ. NO. 4-TC-20
SHEET 2 OF 6 SHEETS



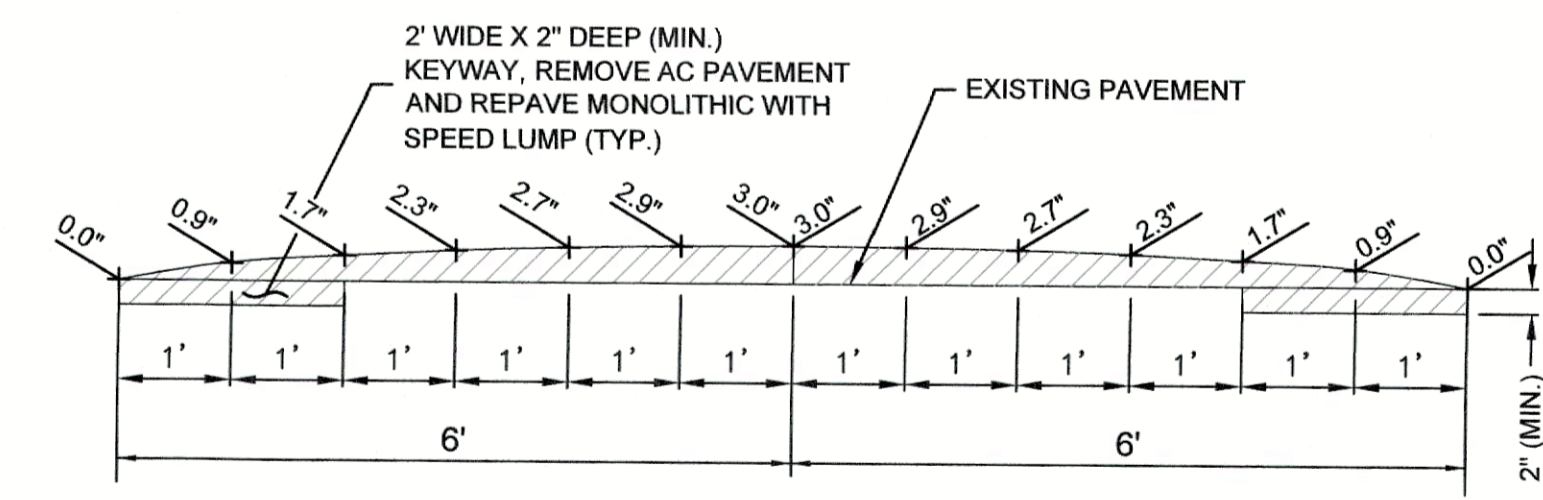


LEGEND:

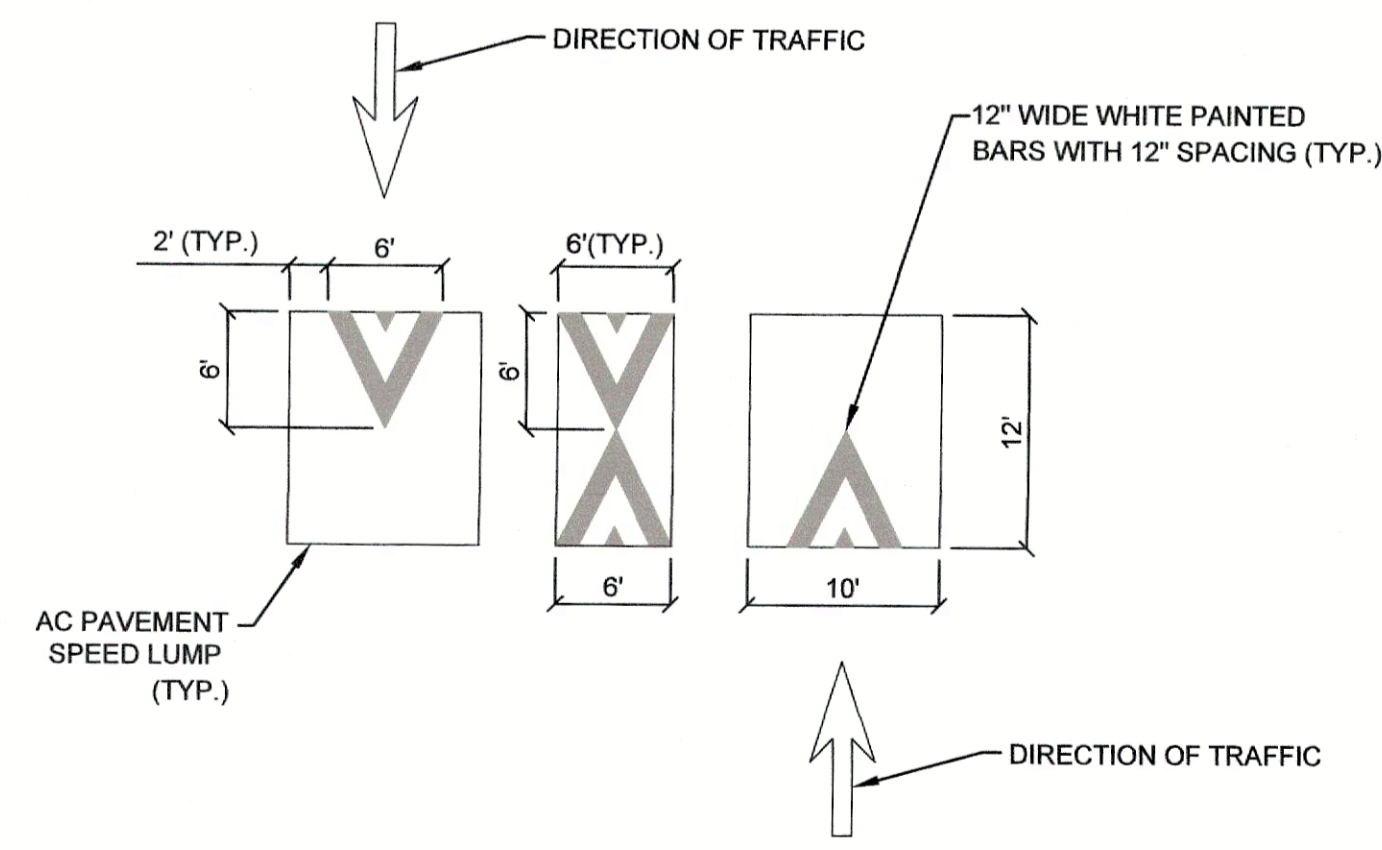
- SIGN PROPOSED TRAFFIC SIGN AND POST
- POST EXISTING STREET LIGHT
- PROPOSED SPEED LUMP



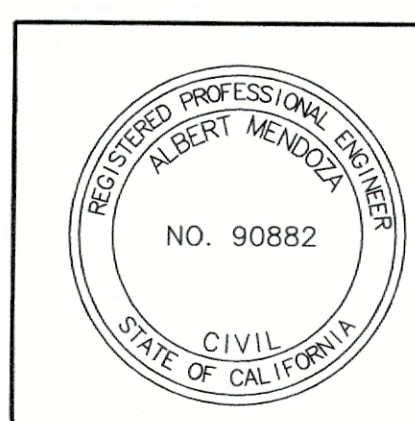
SPEED LUMP LAYOUT DETAIL
 NOT TO SCALE
 EXACT LOCATION TO BE DETERMINED BY THE ENGINEER AT THE TIME OF CONSTRUCTION
 *VARIES PER LOCATION



PARABOLIC CROSS SECTION FOR AC PAVEMENT SPEED LUMP
 NOT TO SCALE



SPEED LUMP STRIPING DETAIL
 NOT TO SCALE



REV	DATE	DESCRIPTION	BY	APP

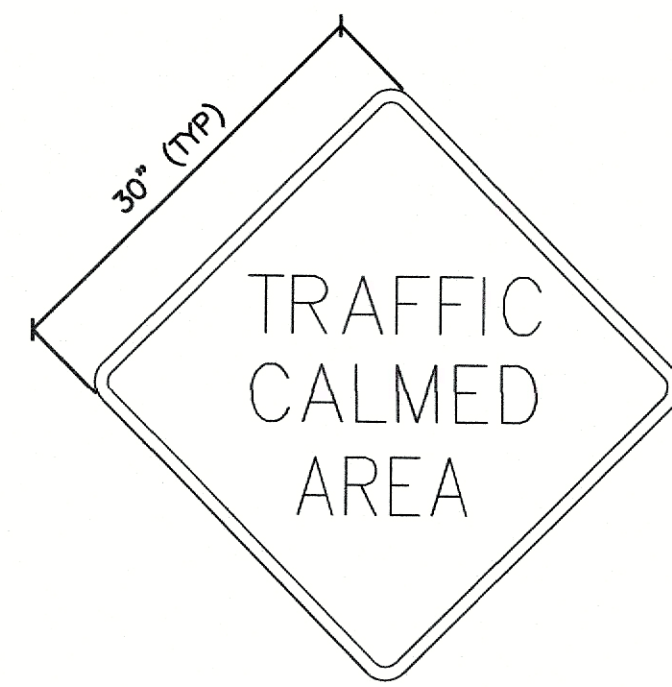
CITY OF LA HABRA
 NEIGHBORHOOD E, A, C,
 TRAFFIC MANAGEMENT PLANS

NEIGHBORHOOD "A" 7-26-2022

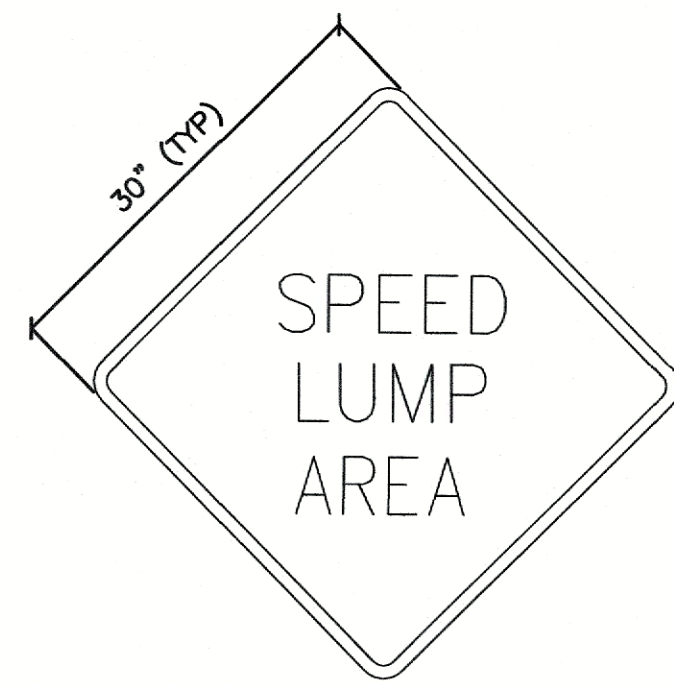
APPROVED BY: CITY ENGINEER
 DATE: 8/4/22

RECOMMENDED BY: TRAFFIC ENGINEER
 DATE: 8/4/22

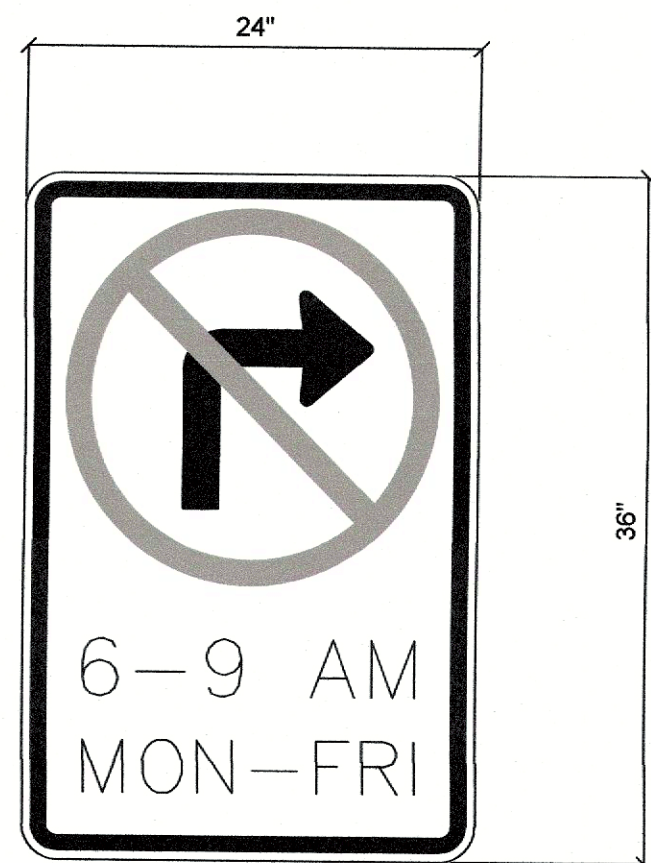
PROJ. NO. 4-TC-20
 SHEET 3 OF 6 SHEETS



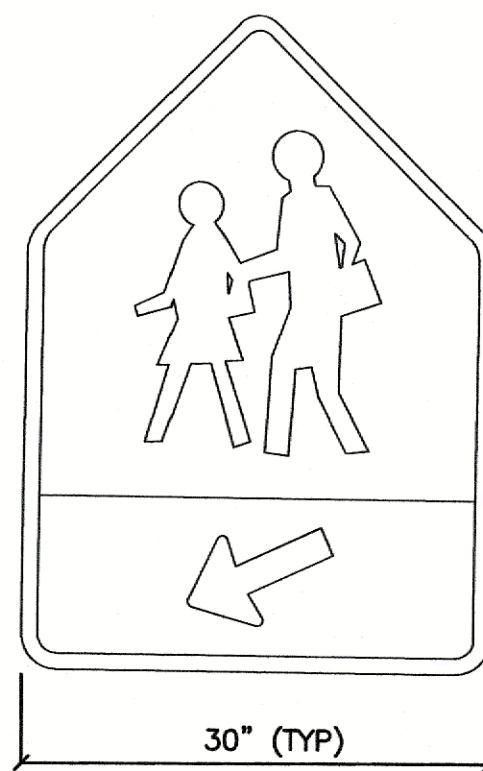
TRAFFIC CALMING SIGN DETAIL "A"
NOT TO SCALE



MODIFIED W85 (CA) SIGN DETAIL "D"
NOT TO SCALE



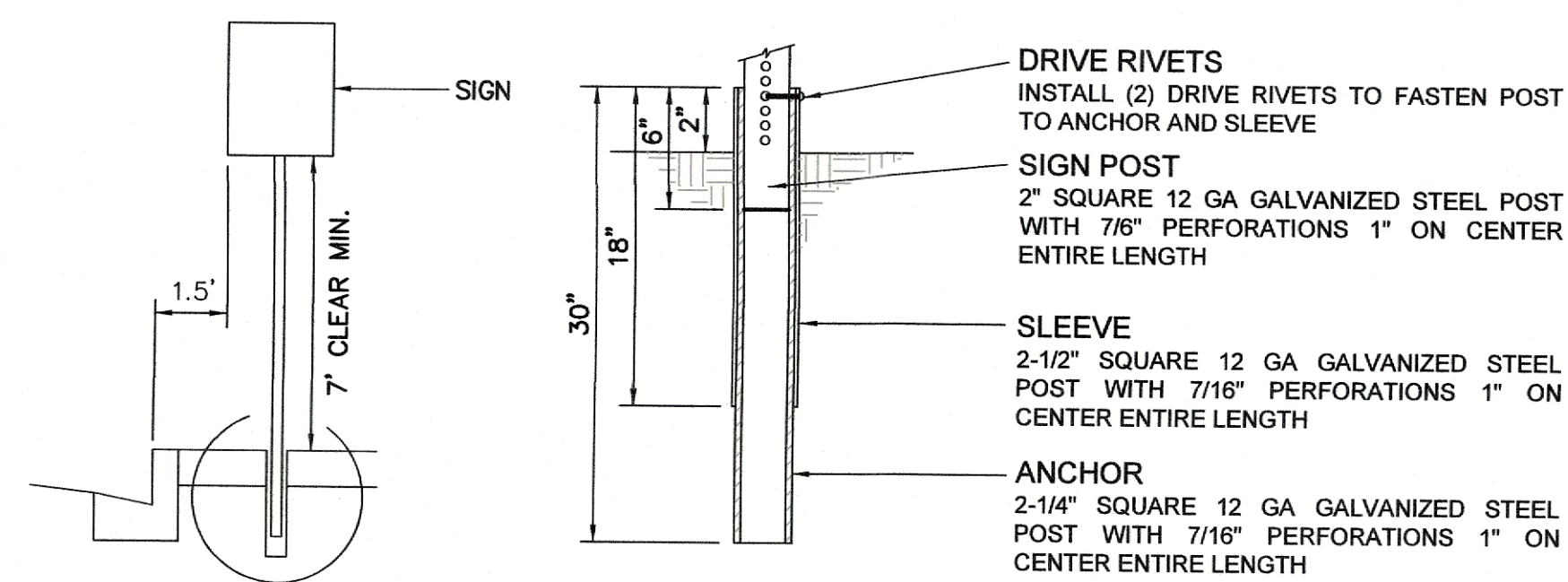
MODIFIED R33A (CA) SIGN DETAIL "B"
NOTE: SOUTHBOUND RIGHT TURN MOVEMENT TO BE PROHIBITED (6-9 AM / MON - FRI)
NOT TO SCALE



SW24-2 (CA) SIGN DETAIL "E"
NOT TO SCALE

NOTES:

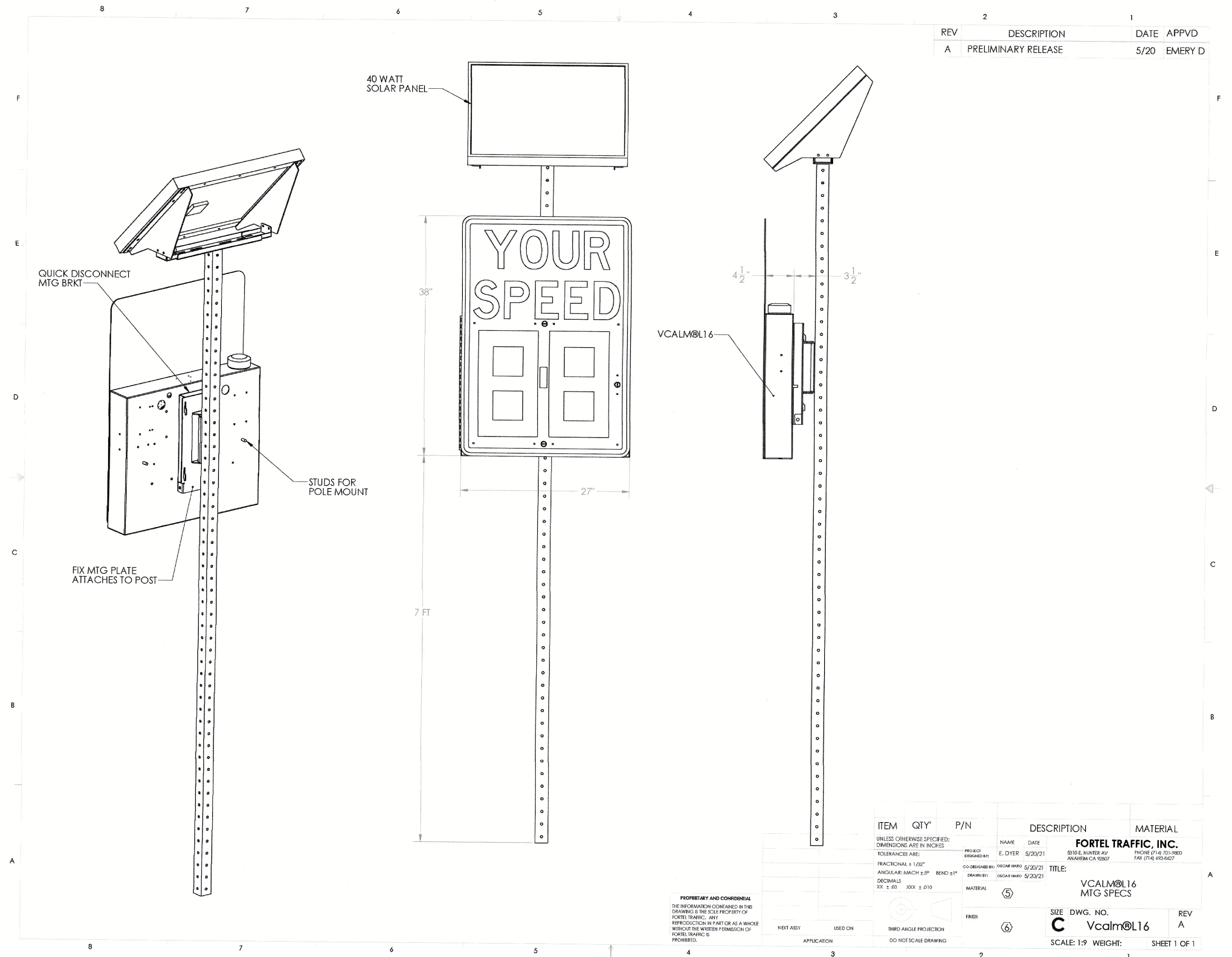
1. ALL SIGNS TO BE INSTALLED PER CALIFORNIA MUTCD (LATEST EDITION), PER DETAILS ON THIS SHEET AND SPECIFICATIONS.
2. FINAL SIGN LOCATIONS TO BE DETERMINED IN THE FIELD BY THE ENGINEER.
3. POST SHALL BE UNISTRUT TYPE (SEE DETAILS ON THIS SHEET).



SIGN INSTALLATION DETAIL
NOT TO SCALE



R2-1 (25) SIGN DETAIL "F"
NOT TO SCALE



SPEED FEEDBACK SIGN
SIGN DETAIL "C"
NOT TO SCALE

ITEM	QTY	P/N	DESCRIPTION	MATERIAL
UNCLIP (DIMENSIONS SPECIFIED)				
FRANCHISE				
ANCHOR				
ORIGINAL				
DATE				
SCALE				
REVISIONS				
REV				
DATE				
DESCRIPTION				
BY				
APP				

CITY OF LA HABRA
NEIGHBORHOOD E, A, C
TRAFFIC MANAGEMENT PLANS

SIGN PLAN

7-26-2022

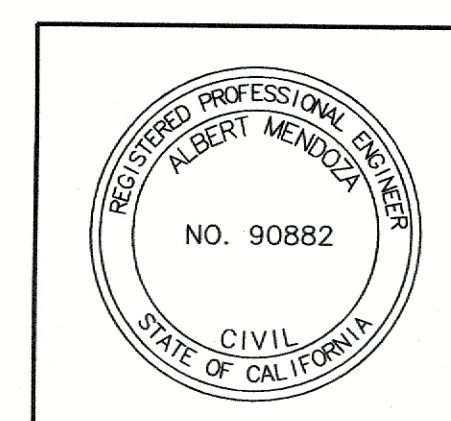
APPROVED BY: *[Signature]*
CITY ENGINEER

RECOMMENDED BY: *[Signature]*
TRAFFIC ENGINEER

DATE: 8/4/22

PROJ. NO. 4-TC-20

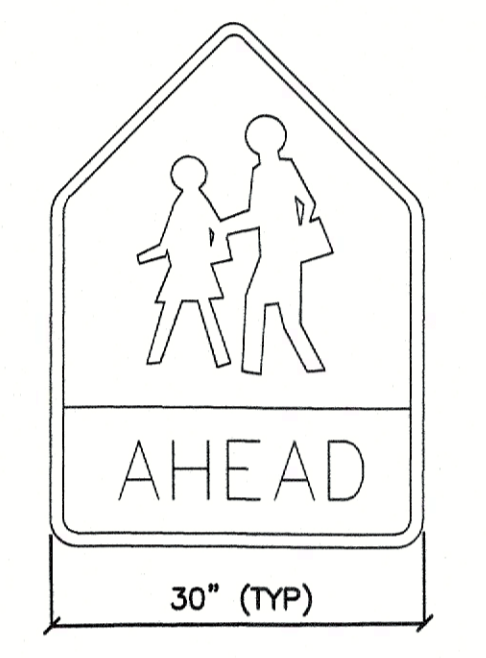
SHEET 5 OF 6 SHEETS





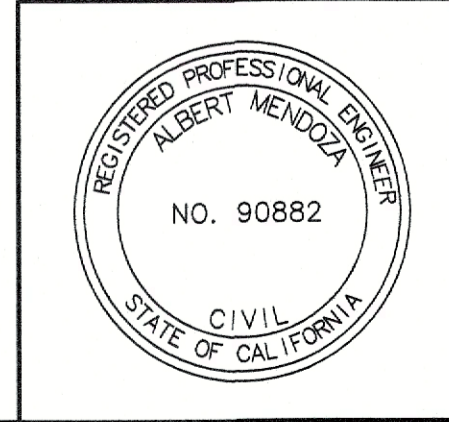
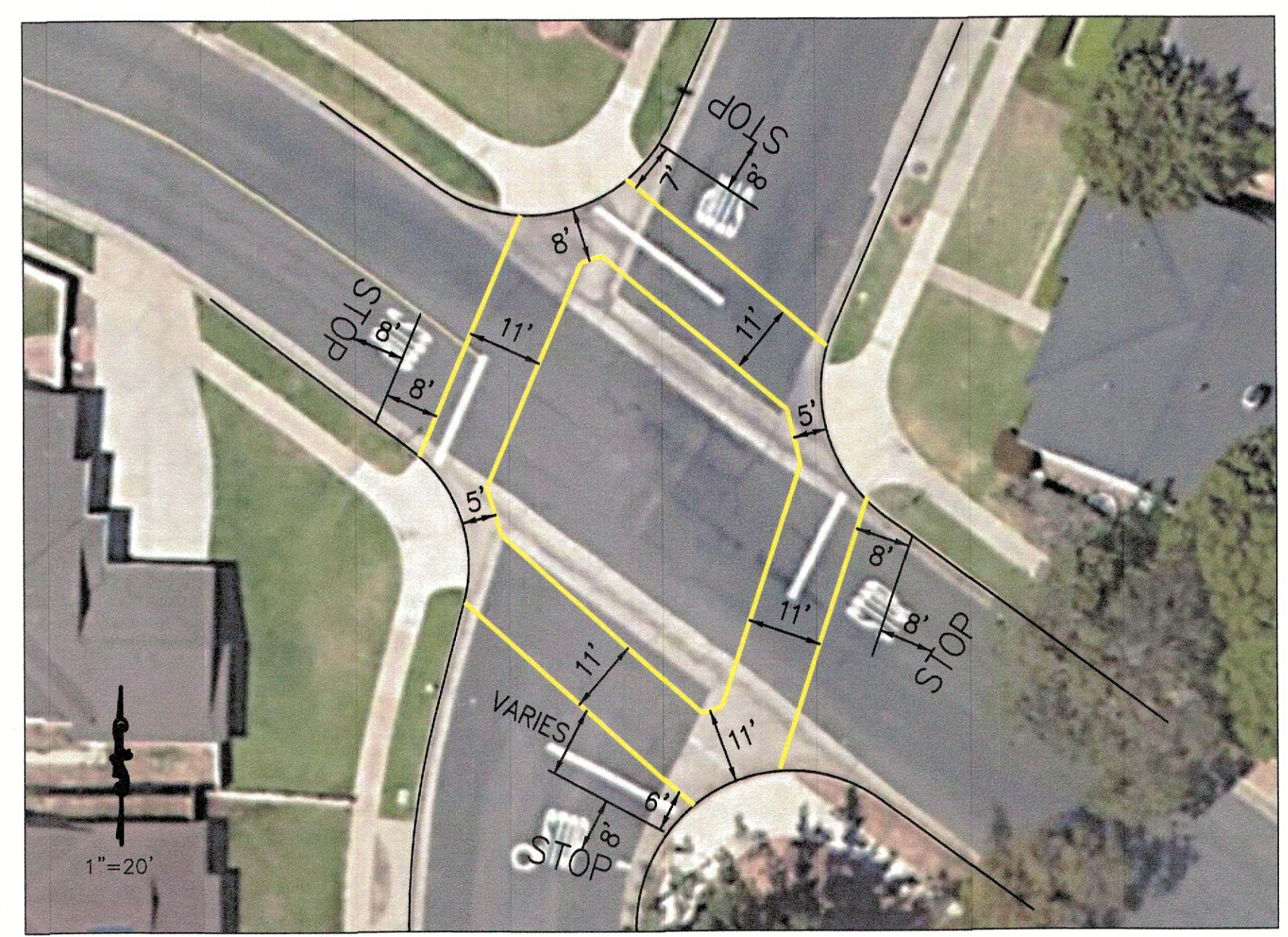
CONSTRUCTION NOTES

- 1** REMOVE CONFLICTING STRIPING.
- 2** STRIPE "STOP" PAVEMENT LEGEND PER CALTRANS STD. PLANS A24D.
- 3** STRIPE WHITE LIMIT LINE PER CALTRANS STD. PLANS A24G.
- 4** STRIPE 1'-0" YELLOW CROSSWALK PER CALTRANS STD. PLANS A24F.
- 5** INSTALL FLASHING SIGN SYSTEM ON ALL EXISTING STOP SIGNS PER SPECIFICATIONS.
- 6** INSTALL SW24-3 (CA) SIGN AND POST. POST INSTALLATION DETAILS ON SHEET 5.



SW24-3 (CA) SIGN
NOT TO SCALE

DETAIL A



REV	DATE	DESCRIPTION	BY
1			
2			
3			
4			

CITY OF LA HABRA
NEIGHBORHOOD E, A, C
TRAFFIC MANAGEMENT PLANS

SIGN PLAN

APPROVED BY:
CITY ENGINEER
DATE: *2/4/22*

RECOMMENDED BY:
TRAFFIC ENGINEER
DATE: *2/4/22*

PROJ. NO. 4-TC-20
SHEET 6 OF 6 SHEETS

7-26-2022