

*The City of Muskogee encourages participation from all its citizens in public meetings. If participation is not possible due to a disability, notify the City Clerk, in writing, at least forty-eight hours prior to the scheduled meeting and necessary accommodations will be made (ADA 28 CFR/36).*

**AGENDA**  
**PURCHASING COMMITTEE**  
**APRIL 8, 2024**

*Official action can only be taken on items which appear on the agenda. The public body may adopt, approve, ratify, deny, defer, recommend, amend, strike, or continue any agenda item.*

*When more information is needed to act on an item, the public body may refer the matter to Staff or back to Committee or the recommending body.*

*Under certain circumstances, items are deferred to a specific date or stricken from the agenda entirely.*

**REGULAR SESSION - 4:30 P.M., 2ND FLOOR CONFERENCE ROOM, MUNICIPAL BUILDING, 229 W. OKMULGEE AVE., MUSKOGEE, OKLAHOMA**

1. Consider approval of Purchasing Committee Minutes of March 11, 2024, or take other necessary action.
2. Consider approval of claims for all City departments March 2, 2024 through March 29, 2024, or take other necessary action.
3. Consider approval to award bids for lawn maintenance services for FY2024-2025, tentatively beginning July 1, 2024 through June 30, 2025 for specified city properties, or take other necessary action. (Mark Wilkerson)
4. Consider approval to purchase a 2024 ALTEC Articulating Overcenter Aerial Lift Truck for the Forestry Division of the Parks & Recreation Department in the amount of \$223,952.00, utilizing cooperative purchase pricing under Sourcewell Contract #110421-ALT, or take other necessary action. (Mark Wilkerson)
5. Consider approval to purchase a 2023 Caterpillar 303.5 CR Mini Excavator for the Parks & Recreation Department in the amount of \$66,950.00, utilizing Sourcewell cooperative purchase pricing, or take other necessary action. (Mark Wilkerson)

ADJOURN

**Purchasing Committee - Time Change**

**1.**

Meeting Date: 04/08/2024  
Submitted For: Dennis Read, Finance  
Initiator: Benita Hotema, Assistant Financial Analyst  
Department: Finance  
Staff Information Source:

---

Information

AGENDA ITEM TITLE:

Consider approval of Purchasing Committee Minutes of March 11, 2024, or take other necessary action.

BACKGROUND:

Purchasing Committee met on March 11, 2024.

RECOMMENDED ACTION:

Approve Purchasing Committee Minutes for March 11, 2024.

---

Fiscal Impact

Attachments

Purchasing Committee Minutes 3/11/2024

---

## MINUTES

**OF THE PURCHASING COMMITTEE  
OF THE CITY OF MUSKOGEE, OKLAHOMA  
MET IN THE 2ND FLOOR CONFERENCE ROOM  
CITY HALL  
MARCH 11, 2024**

The Purchasing Committee of the City of Muskogee, Oklahoma, met in Regular Session at 5:00 p.m., on MARCH 11, 2024, in the 2nd Floor Conference Room, Municipal Building, 229 W. Okmulgee Ave., Muskogee, Oklahoma.

The meeting was called to order and the roll was called as follows:

Present: Chair Jaime Stout; Committee Member Derrick Reed; Committee Member Patrick Cale

Absent: Committee Member Traci McGee

Staff Present: Mike Miller, City Manager; Roger Kolman, Assistant City Manager; Alicia Glanz, Deputy Treasurer; Jody Moore, Fire Chief

1. Consider approval of Purchasing Committee Minutes of February 12, 2024, or take other necessary action.

Motion was made by Committee Member Derrick Reed, seconded by Committee Member Patrick Cale

AYE: Chair Jaime Stout, Committee Member Derrick Reed, Committee Member Patrick Cale

Carried - Unanimously

2. Consider approval of claims for all City departments February 3, 2024 through March 1, 2024, or take other necessary action.

Motion was made by Committee Member Derrick Reed, seconded by Committee Member Patrick Cale

AYE: Chair Jaime Stout, Committee Member Derrick Reed, Committee Member Patrick Cale

Carried - Unanimously

3. Consider approval of the lowest and best bid from RJR Enterprises for the Langston Park Splashpad Project, for the base bid amount of \$272,715.50, with an Alternate A-1 Bid of \$18,315.00 for an additional shade structure, for a total of \$291,030.50, or take other necessary action. (Mark Wilkerson)

Motion was made by Committee Member Derrick Reed, seconded by Committee Member Patrick Cale

AYE: Chair Jaime Stout, Committee Member Derrick Reed, Committee Member Patrick Cale

Carried - Unanimously

There being no further business, the meeting was adjourned.

JAIME STOUT, CHAIRPERSON  
PURCHASING COMMITTEE

purmin

**Purchasing Committee - Time Change**

**2.**

Meeting Date: 04/08/2024  
Submitted For: Dennis Read, Finance  
Initiator: Benita Hotema, Assistant Financial Analyst  
Department: Finance  
Staff Information Source:

---

Information

AGENDA ITEM TITLE:

Consider approval of claims for all City departments March 2, 2024 through March 29, 2024, or take other necessary action.

BACKGROUND:

Claims for all City departments.

RECOMMENDED ACTION:

Approve claims March 2, 2024 through March 29, 2024.

---

Fiscal Impact

Attachments

Purchasing Claims 4/8/2024

---

**CITY OF MUSKOGEE CLAIMS**

<b>CHECK #</b>	<b>VENDOR</b>	<b>AMOUNT</b>	
242266	CINCY PROPERTIES LLC	1,270.59	utility refund
242267	CLARKSON, CHERIE L	34.83	utility refund
242268	CLINT STUBBLEFIELD INSURANCE	111.45	utility refund
242269	COLONY FINE HOMES	86.37	utility refund
242270	CRUZ, JOHN	15.47	utility refund
242271	DANIELS, CURTIS R	34.44	utility refund
242272	DIXON, CHRISTOPHER E	90.00	utility refund
242273	GOAD, CALEB A	36.08	utility refund
242274	HERNANDEZ, MATILDE	44.24	utility refund
242275	IVEY, CORY M	52.11	utility refund
242276	JONES, JACLYN	41.40	utility refund
242277	LASTER, TOM	33.45	utility refund
242278	LEEDS, JACOB KEITH	10.66	utility refund
242279	LYONS, MICHAEL E	33.04	utility refund
242280	MID CONT CONSTRUCTION	35.80	utility refund
242281	MID CONTINENT CONSTRUCTION	27.19	utility refund
242282	REINER, SHIRLEY M	21.71	utility refund
242283	ROTH, MELISSA	21.71	utility refund
242284	SHELBY, CRISTIN MICHELLE	100.00	utility refund
242285	WHEELER, IRVIN	24.52	utility refund
242286	BLUECROSS/BLUE SHIELD OF OK	69,948.56	insurance
242287	BLUECROSS/BLUE SHIELD OF OK	1,328.63	insurance
242288	DELTA DENTAL PLAN OF OKLAHOMA	24,074.16	insurance
242289	DELTA DENTAL PLAN OF OKLAHOMA	1,310.58	insurance
242290	DELTA DENTAL PLAN OF OKLAHOMA	34.04	insurance
242291	THE ZERO CARD, INC.	44,819.65	insurance
242292	ACCURATE LABS & TRAINING CENTE	2,185.00	water testing/lab
242293	ACTION GROUP STAFFING	3,357.54	temp employees
242294	ADT SECURITY SERVICES	489.00	security service
242295	ADVANCE AUTO PARTS 64771111001	859.80	fleet parts
			Waterpark renovation Council
242296	ALLISON LANDSCAPE & POOL LTD	250,492.32	approval 11/27/23
242297	ALLMAX PROFESSIONAL SOLUTIONS	3,780.00	sewer camera software support
242298	ASCEND COMMERCIAL BUILDERS LLC	52,390.69	grandview park contractor
242299	BANNER FIRE EQUIPMENT INC	2,380.72	fire equipment
242300	BCS INSURANCE COMPANY	66,120.87	insurance
242301	THE BECKMAN COMPANY	30.00	misc
242302	DOUGLAS DEAN DIETER	16,875.00	abatement
242303	BEN E. KEITH	840.31	concession
242304	DARLA BENNETT	50.00	sf instructor
242305	VIDA BERRY	458.33	sf instructor
242306	PERLINE BOYATTIA-CRAIG	252.30	allowance
242307	BROWN'S SHOE FIT CO #87	404.95	boot vouchers
242308	C & C SUPPLY AND SERVICE CO.	201.00	misc
242309	CAMPBELL WHOLESALE CO INC	454.18	concession
242310	CARE AROUND THE CLOCK INC	11,314.51	medical services

242311 CHARBONNEAU, BILLY JO	100.00 sf instructor
242312 CHRIS CUMMINGS	603.28 travel/education
242313 CLEARGOV INC.	23,712.18 budget software
242314 CONNECT DME, LLC	1,105.00 medical supplies
242315 DANA SAFETY SUPPLY, INC	147.42 misc
242316 DAVID'S DISCOUNT TIRES INC	226.64 tires
242317 DEALERS ELECTRICAL SUPPLY	1,888.32 electrical supplies/service
242318 DIRECTV LLC	113.67 cable bill
242319 DOBSON FIBER	6,367.27 communications
242320 DRIVE SHAFTS INC	70.07 misc
242321 JERRY EATON SCOTT	540.00 misc
242322 EMPLOYEE NAVIGATOR, LLC	105.00 software
242323 ESRI INC	4,150.00 ARGIS pro software license
242324 EXPRESS EMPLOYMENT PROFESSIONA	3,331.09 temp employees
242325 FASTENAL COMPANY	141.16 misc
242326 FLEETPRIDE INC	107.24 fleet
242327 KARLA D GIBSON	100.00 sf instructor
242328 GKC CONSTRUCTION SERVICES LLC	2,800.00 ballfield dirt
242329 GORDON'S HEATING-AIR CONDITION	263.00 HVAC service
	fire dept garage lift Council approval
242330 GRAY MANUFACTURING COMPANY INC	51,000.00 2/12/24
242331 GREEN COUNTRY BEHAVIORAL HEALT	1,264.25 health services
242332 HACH COMPANY	1,073.34 misc
242333 HARRISON TIRE & SUPPLY	249.00 fleet
242334 SHIRLEY HILTON-FLANARY	75.00 allowance
242335 HOGLE COMPANY	422.50 misc supplies
242336 HOLLOWAY UPDIKE AND BELLEN INC	800.00 misc
242337 TRACY ALAN HOOS II	75.00 allowance
242338 I 40 RACE SERVICE LLC	50.00 misc
242339 IBT INC	148.34 misc
242340 JAMIE HILL	45.00 travel/education
242341 JARED CAPTIAL, LLC	6,400.00 civic center solar panel
242342 JEFF WATKINS	45.00 travel/education
242343 JOHN DEERE FINANCIAL F.S.B.	553.21 boot vouchers
242344 KING TIRES OF MUSKOGEE INC	45.00 fleet
242345 KTFX FM RADIO STATION	200.00 misc
242346 LAKE REGION ELECTRIC COOPERATI	1,450.00 City utilities
242347 KAREN LAUDERDALE	100.00 sf instructor
242348 LAZY J PROPERTIES, ANGELA YOUN	50.00 sf instructor
242349 LEXISNEXIS RISK SOLUTIONS	1,085.00 misc
242350 LOCKE SUPPLY CO	718.43 misc supplies
242351 LOGAN JONES	85.00 employee misc
242352 LOVE BOTTLING CO - #111902	11.04 concession
242353 LOVE BOTTLING CO - #170654	338.40 concession
242354 LOVE BOTTLING CO - #208410	11.04 concession
242355 LOVE BOTTLING CO - #509560	16.56 concession
242356 LOWES	736.39 misc supplies
242357 LUIS GARCIA	740.00 meter refund

242358 MARVIN'S MOWERS AND OUTDOOR LL	646.45 misc supplies
242359 TRACI L. MCGEE	75.00 allowance
242360 MORGAN SERVICES COMPANY LLC	538.92 tow services
242361 MUNICIPALH2O.COM	500.00 misc
242362 MUSKOGEE CHAMBER OF COMMERCE	75.00 misc
242363 MUSKOGEE CITY-COUNTY PORT AUTH	44,833.34 industrial development
242364 MUSKOGEE COMMUNICATIONS, INC.	450.00 communications
242365 MUSKOGEE COUNTY ELECTION BOARD	1,289.09 election expenses
242366 MUSKOGEE COUNTY EMS	720.00 EMS services
242367 MUSKOGEE COUNTY TRANSIT AUTHOR	13,271.51 transportation services
242368 MUSKOGEE DAILY PHOENIX	25.10 ad/subscriptions
242369 MUSKOGEE LOCK & KEY	135.95 misc
242370 NUTRICA AG SOLUTIONS	3,050.00 chemicals/herbicides
242371 OFFICE CONNECTIONS LLC	10.03 office supplies
242372 OFFICE DEPOT	79.99 office supplies
242373 OKIE SAFETY CONSULTING, LLC	4,768.80 inspection plan review
242374 OKLAHOMA EMPLOYMENT SECURITY	300.05 misc
242375 OKLAHOMA NATURAL GAS	4,621.29 City utilities
242376 ONE SOURCE WATER LLC	170.44 misc
242377 OPTIMUM BUSINESS	128.00 misc
242378 OREILLY AUTO PARTS	2,791.21 fleet parts
242379 PATE INDUSTRIAL SUPPLY INC	8.43 misc
242380 PENCCO INC	8,369.90 chemical contractor
242381 PREMIER TRUCK GROUP	1,834.55 fleet parts
242382 PREMIER USA INC.	7,500.60 temp employees
242383 DERRICK REED	179.99 allowance
242384 ALEXANDER FELTS REYNOLDS	75.00 allowance
242385 SHERRY S. RICE	200.00 sf instructor
242386 ROSSON WHEEL SERVICE	85.00 fleet
242387 ALLIED ELECTRONICS	49.20 misc
242388 RURAL WATER DISTRICT #5	21.38 City utilities
242389 SADLER PAPER COMPANY	1,929.25 janitorial/misc supplies
242391 SANDERS NURSERY & DISTRIBUTION	175.00 misc
242392 JENNIFER SARGENT	360.00 teen ctr tutoring
242393 SBA 2012 TC ASSETS	578.81 misc
242394 SCOTT PUCKETT	45.00 travel/education
242395 SPECIAL OPS UNIFORMS	179.99 uniforms
242396 STAUB INVESTMENTS INC. DBA GAL	48.00 misc
242397 STEVE BEAUVAIS	45.00 travel/education
242398 SUNBURST SPRAYING	150.00 misc
242399 SUPERIOR LINEN SERVICE INC	166.80 misc
242400 TARA SHOWS	19.00 travel/education
242401 THYSSENKRUPP ELEVATOR CORP	556.20 elevator service
242402 TLS GROUP, INC	1,852.50 signal maintenance
242403 TOMMY NIX CDJR OF MUSKOGEE, LL	864.00 fleet misc
242404 TRAFFIC & LIGHTING SYSTEMS INC	71,036.27 signal maintenance/improvement
242405 TRANSUNION RISK & ALTERNATIVE	165.00 misc
242406 UNIFIRST HOLDINGS LP	926.41 uniforms



242407 USED OIL SERVICE COMPANY INC	350.00	oil
242408 VISION SERVICE PLAN INSURANCE	5,247.75	insurance
242409 W & W INVESTMENTS-AKERS COLLIS	9,642.54	collision repairs-city vehicles
242410 CINDY WAYMAN	1,470.00	sf instructor
242411 LAURA WICKIZER	125.00	sf instructor
242412 YORK & MAIN EQUITY GROUP INC	15,670.00	sewer repairs
242413 YOUNGMAN ROCK, INC.	1,237.29	road materials contractor
242414 ZOHO CORPORATION	5,302.80	endpoint central software
242415 FIVE STAR DEMOLITION	11,723.00	demo contractor
242416 BLUECROSS/BLUE SHIELD OF OK	153,181.73	insurance
242417 ASCEND COMMERCIAL BUILDERS	2,323.78	utility refund
242418 COOK PROPERTY MANGEMENT, LLC	40.68	utility refund
242419 ELLER, JAMES RYAN	22.40	utility refund
242420 HUDSON HOMES MANAGEMENT, LLC	40.66	utility refund
242421 MADDOX, CHRISTELLA L	58.74	utility refund
242422 SMITH, LYNZI	2.93	utility refund
242423 STEVENSON, BILL J	38.61	utility refund
242424 TOTAL MANAGEMENT	41.37	utility refund
242426 TARA SHOWS	339.92	travel/education
242427 RAYMOND MACKEY AND LINDA MACKE	20,000.00	land purchase by MLK
242428 AC-OWEN CONSTRUCTION, LLC	46,216.18	Swim&Fit Remodel Project
242429 ACCURATE LABS & TRAINING CENTE	395.00	water testing/lab
242430 ACECO RENTAL AND SALES	766.00	misc
242431 ACTION GROUP STAFFING	4,688.68	temp employees
242432 AIRGAS USA LLC	261.49	misc
242433 ALEX PUCKETT	88.00	employee misc
242434 APAC CENTRAL INC	301,760.27	SW Zone mill&overlay
242435 B & R ELECTRIC SERVICE INC	12,000.00	electrical supplies/service
242436 BANK OF OKLAHOMA-WEALTH MANAGE	2,850.00	bond trustee fees
242437 DOUGLAS DEAN DIETER	9,925.00	abatement
242438 BRENNTAG SOUTHWEST INC	13,440.00	chemical contractor
242439 BWI COMPANIES, INC	9,783.09	chemicals for parks grounds
242440 CARE AROUND THE CLOCK INC	16,227.00	medical services
242441 CINCINNATI RADIATOR SERVICE IN	460.00	fleet parts/service
242442 CLEET	12,669.37	monthly cleet
242443 CLIFFORD POWER SYSTEMS INC	1,374.50	generator maintenance/testing
242444 CONNECT DME, LLC	1,766.00	medical supplies
		Chemical Feed Project-Council
242445 COOK CONSULTING LLC	173,329.68	approval 11/28/22
242446 CROWDER AUTO GLASS	240.00	misc
242447 CUMMINS SOUTHERN PLAINS LTD	394.07	misc
242448 DAVID'S DISCOUNT TIRES INC	495.52	tires
242449 DICKMANN GLASS CO	348.17	misc
242450 EAST CENTRAL ELECTRIC	685.92	City utilities
242451 EVANS ENTERPRISES INC	2,340.00	crane&hoist inspections
242452 EVOQUA WATER TECHNOLOGIES LLC	1,078.18	misc
242453 EWING IRRIGATION	1,292.82	chemicals for parks grounds
242454 EXPRESS EMPLOYMENT PROFESSIONA	6,583.48	temp employees

242455 FASTENAL COMPANY	1,881.86 misc
242456 FIRE SERVICE TRAINING	1,600.00 FD training
242457 FIVE STAR OFFICE SUPPLY	480.28 office supplies
242458 FLEETPRIDE INC	92.22 fleet
242459 FROST OIL CO., LLC	20,858.92 fuel
242460 LORNE K. GOOD DBA GOOD CONCRET	3,300.00 concrete for parks
242461 GORDON'S HEATING-AIR CONDITION	2,125.00 HVAC service
242462 GREAT PLAINS CONSULTING	25,940.00 projects contractor
242463 GRIMSLEY'S INC	307.74 misc
242464 HACH COMPANY	1,018.77 misc
242465 HARRISON TIRE & SUPPLY	130.00 fleet
242466 HAWKINS, INC.	31,210.48 water plant chemicals
242467 HAYNES EQUIPMENT COMPANY	418.97 misc
242468 USA BLUEBOOK	324.60 misc
242469 HELENA CHEMICAL COMPANY	7,545.00 chemicals for parks grounds
242470 HOLDEN RATTERREE	45.00 travel/education
242471 HOLLOWAY UPDIKE AND BELLEN INC	7,800.00 HonorHeights spillway/bridge
242472 HOLT TRUCK CENTERS OF OKLAHOMA	259.83 fleet misc
242473 I 40 RACE SERVICE LLC	25.00 misc
242474 IBT INC	30.70 misc
242475 INCOR	2,160.00 contract services
242476 GAS AND SUPPLY	308.00 misc
242477 INTERSTATE ALL BATTERY CTR OF	68.60 fleet misc
242478 INTERSTATE ELECTRIC CORPORATIO	2,076.00 public works misc
242479 IPMA-HR	800.00 misc
242480 J & R EQUIPMENT	191.43 misc
242481 JACK TYLER ENGINEERING INCORPO	304.00 misc
242482 JEREMY ROSS MC PLLC	2,000.00 FD medical director
242483 JESSICA BROWN	45.00 travel/education
242484 JONAS FITNESS, INC C/O CAROL A	799.79 sf software system
242485 KANSAS CITY AEROSPORTS	2,500.00 BalloonFest retainer
242486 KING TIRES OF MUSKOGEE INC	90.00 fleet
242487 KJ PRINTING LLC	299.41 misc
242488 LEXISNEXIS	231.00 misc
242489 THE LIFEGUARD STORE	398.65 misc
242490 LOCKE SUPPLY CO	453.58 misc supplies
242491 LORI PAULSON	1,800.00 baseball concession startup
242492 LORI PAULSON	1,200.00 softball startup
242493 LORI PAULSON	1,200.00 ballfield gate startup
242494 LOVE BOTTLING CO - #111902	21.12 concession
242495 LOWES	987.36 misc parts
242496 MARC MILLER BUICK-GMC, INC.	265.89 fleet misc
242497 MARVIN'S MOWERS AND OUTDOOR LL	23.89 misc supplies
242498 MATLOCK SECURITY SERVICES	90.00 security service
242499 MCINTOSH CORP	1,706.73 plumbing contractor
242500 MEDIC BATTERIES	307.96 misc
242501 MUSKOGEE CITY-COUNTY PORT AUTH	218.08 misc
242502 MUSKOGEE COUNTY CLERK	162.00 filing fees

242503 MUSKOGEE COUNTY SHERIFFS DEPAR	32,292.00 jail bill
242504 MUSKOGEE DAILY PHOENIX	514.23 ad/subscriptions
242505 MUSKOGEE MEDICAL CENTER AUTHOR	12,640.69 note/interest
242506 MUSKOGEE REDI-MIX LLC	8,030.00 concrete contractor
242507 MUSKOGEE YOUTH SERVICES	2,462.72 juv c/s payroll
242508 N. F. P. A.	175.00 misc
242509 NORTHERN SAFETY CO	431.00 misc supplies
242510 OFFICE CONNECTIONS LLC	164.85 office supplies
242511 OFFICE DEPOT	761.60 office supplies
242512 OKLAHOMA FLOODPLAIN MANAGERS A	75.00 misc
242513 OKLAHOMA NATURAL GAS	3,394.57 City utilities
242514 OKLAHOMA TURNPIKE AUTHORITY (O	30.20 toll
242515 ONE SOURCE WATER LLC	78.91 misc
242516 OREILLY AUTO PARTS	2,668.32 fleet parts
242517 OSBI	12,630.74 monthly afis-cleet
242518 OSBI	12,105.69 monthly forensic-cleet
242519 P & K EQUIPMENT	810.23 misc
242520 PATE INDUSTRIAL SUPPLY INC	121.18 misc
242521 PIONEER'S JANITORIAL SVC	345.00 janitorial services
242522 PLANNING DESIGN GROUP	3,350.00 parks architect services
242523 PREMIER TRUCK GROUP	359.69 fleet parts
242524 RACEWAY ELECTRIC, INC	993.12 misc
242525 ROSSON WHEEL SERVICE	85.00 fleet
242526 ROXY THEATER	35,000.00 Roxy Supplement Funding
242527 RUSH TRUCK CENTERS OF OKLAHOMA	1,290.00 fleet misc
242528 SADLER PAPER COMPANY	3,287.26 janitorial/misc supplies
242529 SHANE GRIFFIN	30.00 travel/education
242530 SHERWIN-WILLIAMS	1,160.38 misc supplies
242531 SITEONE LANDSCAPE SUPPLY LLC	128.73 misc
242532 SPECIAL OPS UNIFORMS	984.88 uniforms
242533 STEIDLEY & NEAL, PLLC	2,215.00 litigation expenses
242534 STEWART MARTIN EQUIPMENT	22,949.00 public works utility vehicle
242535 SUPERIOR LINEN SERVICE INC	46.77 misc
242536 TIGER NATURAL GAS INC	5,412.83 City utilities
242537 TLS GROUP, INC	27,823.43 signal maintenance
242538 TRANSCEND ENGAGEMENT LLC	211.44 misc
242539 TWIN CITIES READY MIX INC	518.00 concrete contractor
242540 UNIFIRST HOLDINGS LP	1,091.27 uniforms
242541 UTILITY TECHNOLOGY SERVICES IN	445.00 misc
242542 WARNER TRUE VALUE	1,617.00 misc supplies
242543 WASTE MANAGEMENT OF OKLAHOMA I	20,625.76 landfill
242544 WELDON PARTS - MUSKOGEE	781.30 fleet misc
242545 WEST TERMITE & PEST MGMT. INC.	1,841.49 pest control contractor
242546 MICHAEL G WEST DBA WEST'S TOOL	198.22 misc tools
242547 WHEELER METALS	69.95 misc
242548 YORK STREET TIRE OF MUSKOGEE L	1,627.40 fleet tires/service
242549 YOUNGMAN ROCK, INC.	1,223.69 road materials contractor
242550 B&D WHATLEY PROPERTIES	295.40 utility refund

242551 CUSTOM ELITE PROPERTIES	89.34	utility refund
242552 FOUTCH, WILLIAM B	83.93	utility refund
242553 KRAUSE JR, JOHN A	2,704.13	utility refund
242554 CRAWFORD, KYLA N	27.95	utility refund
242555 SANFORD, BRICE L	86.08	utility refund
242556 THE ZERO CARD, INC.	2,962.87	insurance
242557 BLUECROSS/BLUE SHIELD OF OK	119,946.26	insurance
242564 BANK OF AMERICA	43,275.73	pcards
242565 ARIAS, CESAR	58.05	utility refund
242566 DRS ENTERPRISES, LLC	90.00	utility refund
242567 FARMER, SHEILA E	31.02	utility refund
242568 LITTLE, MICHAEL	36.55	utility refund
242569 MACKEY, JEFERY L	43.45	utility refund
242570 MRE MUSKOGEE HOUSING PARTNERS	37.23	utility refund
242571 NGUYEN, DANNY C	18.26	utility refund
242572 READY MORGAGE	21.71	utility refund
242573 WASHINGTON, STEPHANIE	60.00	utility refund
242574 ACCURATE LABS & TRAINING CENTE	531.00	water testing/lab
242575 ACTION GROUP STAFFING	9,496.62	temp employees
242576 APAC CENTRAL INC	138,439.58	NW zone mill&overlay
242577 AT&T #918 682-2825 211 0	258.40	misc
242578 AUTO FX/FX TECHNOLOGIES	3,840.95	lights/radio Revenue vehicle
242579 B & R ELECTRIC SERVICE INC	1,100.00	electrical supplies/service
242580 BANCFIRST	175,271.86	financial
242581 DOUGLAS DEAN DIETER	4,087.50	abatement
242582 DARLA BENNETT	50.00	sf instructor
242583 BG PRODUCTS INC	1,245.40	fleet parts/service
242584 CHELSEA BROWN	700.00	mental wellness
242585 ERIC BURK	245.00	misc
242586 BWI COMPANIES, INC	1,222.53	chemicals for parks grounds
242587 CDW GOVERNMENT INC	2,873.22	IT parts/service
242588 CHARBONNEAU, BILLY JO	100.00	sf instructor
242589 CINTAS CORPORATION #2	49.51	misc
242590 COMMUNITY CARE EAP	520.70	misc
242591 CONNECT DME, LLC	795.00	medical supplies
242592 CRAWFORD & ASSOCIATES, P.C.	8,640.00	financial
242593 CROSSROADS COMMUNICATIONS LLC	4,750.00	bond communication campaign
242594 DAVID'S DISCOUNT TIRES INC	469.52	tires
242595 DEALERS ELECTRICAL SUPPLY	107.14	electrical supplies/service
242596 DEWBERRY ENGINEERS INC	19,700.00	flood study S 24th
242597 DIGI SECURITY SYSTEMS LLC	583.60	misc
242598 DUSTIN WISDOM	29.46	employee misc
242599 EXPRESS EMPLOYMENT PROFESSIONA	5,249.15	temp employees
242600 FASTENAL COMPANY	630.29	misc
242601 RAVEN FEATHER	320.00	umpire
242602 AVERY LAWN CARE	5,155.00	lawncare
242603 FIVE STAR OFFICE SUPPLY	9.00	office supplies
242604 FREEDOM RESOURCES, INC. DBA	350.00	misc

242605 FRONTIER EQUIPMENT	163.60 misc
242606 KARLA D GIBSON	100.00 sf instructor
242607 OWEN GILLIAM	240.00 umpire
242608 GRAINGER	2,298.76 pw parts/supplies
242609 GREEN COUNTRY BEHAVIORAL HEALT	3,695.83 health services
242610 GREEN COUNTRY TESTING	610.00 misc
242611 GUARD TRONIC INC	686.73 security service
242612 JOEL HALL LANCE	175.00 umpire
242613 WYATT HAMILTON	240.00 umpire
242614 HARRISON TIRE & SUPPLY	225.00 fleet
242615 USA BLUEBOOK	75.15 misc
242616 HOLLOWAY UPDIKE AND BELLEN INC	9,428.00 Hwy69 sewer/water relocation
242617 HOOD & ASSOCIATES, CPAS, PC	37,049.50 audit services
242618 JACE JACKSON	320.00 umpire
242619 JEROD PALMER	745.69 misc
242620 JOE GODDARD ENTERPRISES, LLC	2,350.00 storm siren maintenance
242621 JOHNSON'S SERVICE COMPANY	6,486.42 civic center walk-in repair
242622 KTFX FM RADIO STATION	315.00 misc
242623 KAREN LAUDERDALE	100.00 sf instructor
242624 LAWRENCE THOMPSON	56.50 employee misc
242625 LAZY J PROPERTIES, ANGELA YOUN	50.00 sf instructor
242626 LOCKE SUPPLY CO	363.58 misc supplies
242627 TALON LONGSHORE	285.00 umpire
242628 LOVE BOTTLING CO - #208410	22.08 concession
242629 LOWES	758.40 misc parts
242630 MARC MILLER BUICK-GMC, INC.	403.27 fleet misc
242631 MARTIN LUTHER KING TRUST AUTHO	36,250.00 subsidy 3 of 4
242632 MARVIN'S MOWERS AND OUTDOOR LL	763.68 misc supplies
242633 RODNEY L. MATHEWS	320.00 umpire
242634 MATLOCK SECURITY SERVICES	60.00 security service
242635 MCINTOSH CORP	1,148.71 plumbing contractor
242636 MMSGs	943.63 FD medical supplies
242637 KELLY MURRY	60.00 misc
242638 MUSKOGEE CITY COUNTY 911 TRUST	50,421.93 monthly dispatch fees
242639 MUSKOGEE COUNTY CLERK	20.00 filing fees
242640 MUSKOGEE DAILY PHOENIX	9,021.99 ad/subscriptions
242641 MUSKOGEE LOCK & KEY	29.80 misc
242642 MUSKOGEE MANUFACTURING LLC	313.48 misc
242643 MUSKOGEE REDI-MIX LLC	3,125.00 concrete contractor
242644 NAFECO INC	1,818.98 fire equipment
242645 NORTHERN SAFETY CO	431.00 misc supplies
242646 OFFICE CONNECTIONS LLC	117.13 office supplies
242647 OFFICE DEPOT	234.21 office supplies
242648 OKLAHOMA NATURAL GAS	1,942.08 City utilities
242649 OKLAHOMA UNIFORM BUILDING CODE	232.00 CE fees
242650 OKLAHOMA WATER RESOURCES BOARD	326,030.05 construction principal/interest/admin
242651 OKLAHOMA WATER RESOURCES BOARD	400,120.09 construction principal/interest/admin
242652 ONE SOURCE WATER LLC	130.21 misc

242653 OREILLY AUTO PARTS	1,167.22 fleet parts
242654 PATE INDUSTRIAL SUPPLY INC	410.15 misc
242655 PENCCO INC	8,015.70 chemical contractor
242656 PREMIER TRUCK GROUP	1,363.07 fleet parts
242657 PREMIER USA INC.	452.39 temp employees
242658 PROSEGUR EAS USA, LLC	3,653.00 city hall security
242659 SHERRY S. RICE	125.00 sf instructor
242660 RSM FARM SUPPLY LLC	5.75 misc
242661 SADLER PAPER COMPANY	506.02 janitorial/misc supplies
242662 SHERWIN-WILLIAMS COMPANY	244.95 misc supplies
242663 SMITH & LOVELESS INC	83.40 misc
242664 SUPERIOR LINEN SERVICE INC	326.98 misc
242665 T-MOBILE USA INC.	3,359.40 communications
242666 TAMMY TRACY	297.86 travel/education
242667 TECHNICAL PROGRAMMING SERVICES	6,856.74 bill notices
242668 ADAM THOMPSON	320.00 umpire
242669 CADEN THOMPSON	320.00 umpire
242670 COLBY THOMPSON	320.00 umpire
242671 THREE RIVERS MUSEUM	15,000.00 subsidy
242672 TIGER NATURAL GAS INC	10,842.06 City utilities
242673 TOMMY NIX CDJR OF MUSKOGEE, LL	8.70 fleet misc
242674 TRAFFIC & LIGHTING SYSTEMS INC	300,835.74 signal maintenance/improvement
242675 TULSA TECHNOLOGY CENTER	3,786.00 peace officer certification
242676 TWIN CITIES READY MIX INC	2,541.50 concrete contractor
242677 UNIFIRST FIRST AID CORP	62.49 fleet first aid
242678 UNIFIRST HOLDINGS LP	1,009.38 uniforms
242679 UNIQUE DRY CLEANERS	472.60 fd uniform
242680 W & W INVESTMENTS-AKERS COLLIS	4,375.11 collision repairs-city vehicles
242681 ZELON WALTON	320.00 umpire
242682 WASTE MANAGEMENT OF OKLAHOMA I	52.76 landfill
242683 CINDY WAYMAN	375.00 sf instructor
242684 WELDON PARTS - MUSKOGEE	48.45 fleet misc
242685 WHEELER METALS	52.65 misc
242686 LAURA WICKIZER	150.00 sf instructor
242687 STACY WILLHITE	210.00 umpire
242688 XEROX CORPORATION	3,840.00 printers/equipment service
242689 YOUNGMAN ROCK, INC.	5,944.11 road materials contractor
242690 CAVIN LAND HOLDING, LLC	26.87 utility refund
242691 SCHOONOVER, SHELLY D	55.76 utility refund
242692 BEST FAMILY HOMES	90.00 utility refund
242693 BOLTON, JAN	26.29 utility refund
242694 CLAY ,RENEE A	90.00 utility refund
242695 CUSTOM ELITE PROPERTY	28.09 utility refund
242696 DIAZ SOTO, ULISES	43.39 utility refund
242697 FEICKERT, TOBY	399.09 utility refund
242698 HALL, DOROTHY M	3.83 utility refund
242699 MCGRAW REALTORS	44.24 utility refund
242700 PEARSON, JESSICA RUTH	3.83 utility refund

242701 STOWERS, BROOKLYN MAE	51.14 utility refund
242702 DELTA DENTAL PLAN OF OKLAHOMA	1,266.32 insurance
242703 DELTA DENTAL PLAN OF OKLAHOMA	34.04 insurance
242704 DELTA DENTAL PLAN OF OKLAHOMA	23,995.86 insurance
242705 THE ZERO CARD, INC.	14,825.33 insurance
242706 ABIGAIL WRIGHT	12.00 travel/education
242707 ACCURATE LABS & TRAINING CENTE	1,115.00 water testing/lab
242708 ACTION GROUP STAFFING	6,236.88 temp employees
242709 AED BRANDS LLC	2,178.63 pw aed battery/pads
242710 ASSOCIATED SUPPLY CO INC	44.08 misc
242711 BANNER FIRE EQUIPMENT INC	246.00 fire equipment
242712 DOUGLAS DEAN DIETER	6,187.50 abatement
242713 BROKEN ARROW ELECTRIC	62.02 electrical supplies/service
242714 BROWN'S SHOE FIT CO #87	746.38 boot vouchers
242715 CAGLE'S FLOWERS & GIFTS	65.00 misc
242716 CINCINNATI RADIATOR SERVICE IN	695.00 fleet parts/service
242717 CORE & MAIN LP	35,231.32 hydrants/pipes/fittings
242718 COWAN GROUP ENGINEERING LLC	4,400.00 contractor
242719 DAVID'S DISCOUNT TIRES INC	162.60 tires
242720 DICKMANN GLASS CO	2,841.44 fleet misc
242721 DRIVE SHAFTS INC	545.66 fleet misc
242722 EAST CENTRAL ELECTRIC	35.81 City utilities
242723 EXPRESS EMPLOYMENT PROFESSIONA	14,607.75 temp employees
242724 FASTENAL COMPANY	383.97 misc
242725 AVERY LAWN CARE	2,275.00 lawncare
242726 FIVE STAR DEMOLITION	6,482.00 demo contractor
242727 FRONTIER EQUIPMENT	338.64 misc
242728 FROST OIL CO., LLC	23,565.80 fuel
242729 GRAINGER	91.66 pw parts/supplies
242730 GRAPHIC RESOURCES & REPRODUCTI	7,730.00 publicworks designjet equipment
242731 GREEN COUNTRY BEHAVIORAL HEALT	3,695.83 health services
242732 HAMBY TV & APPLIANCE WAREHOUSE	999.00 animal shelter washer
242733 HAYNES EQUIPMENT COMPANY	602.80 misc
242734 HOLLOWAY UPDIKE AND BELLEN INC	620.00 misc
242735 HOLT TRUCK CENTERS OF OKLAHOMA	1,025.83 fleet misc
242736 HOMELAND STORES INC	48.40 misc
242737 HONOR HEIGHTS VET CLINIC #6530	102.80 misc
242738 HULL, JEFFREY S	285.98 muffler install
242739 IBT INC	1.62 misc
242740 JAMES HODGE FORD-LINCOLN-MERC	91.13 misc
242741 JOHNSON'S SERVICE COMPANY	511.80 misc repair
242742 LOCKE SUPPLY CO	539.92 misc supplies
242743 LOVE BOTTLING CO - #170650	1,697.20 concession
242744 LOVE BOTTLING CO - #170700	1,640.00 concession
242745 LOWES	1,880.03 misc parts
242746 MARVIN'S MOWERS AND OUTDOOR LL	711.88 misc supplies
242747 MASON ENTERPRISE GROUP LLC	3,519.00 sewer plant chiller project
242748 MITCHELL DODD	12.00 travel/education

242749 MUSKOGEE COMMUNICATIONS, INC.	125.00	communications
242750 MUSKOGEE COUNTY CLERK	108.00	filing fees
242751 MUSKOGEE COUNTY ELECTION BOARD	5,448.61	election expenses
242752 MUSKOGEE LOCK & KEY	60.00	misc
242753 MUSKOGEE REDI-MIX LLC	4,950.00	concrete contractor
242754 MUSKOGEE SIGN AND BANNER	210.00	printing service
242755 NORTHERN SAFETY CO	2,584.00	FD rescue harness
242756 OFFICE DEPOT	34.48	office supplies
242757 OKLAHOMA DEPT OF LABOR	8,625.00	boilers inspections
242758 OKLAHOMA NATURAL GAS	1,942.10	City utilities
242759 OKLAHOMA TURNPIKE AUTHORITY (O	3.30	toll
242760 OPTIMUM BUSINESS	32.00	misc
242762 OREILLY AUTO PARTS	3,184.60	fleet parts
242763 OTA-PLATEPLAY	14.00	toll
242764 P & K EQUIPMENT	313.72	misc
242765 PATE INDUSTRIAL SUPPLY INC	19.36	misc
242766 PICTOMETRY INTERNATIONAL CORP	2,200.00	IT-pictometry connect
242767 PIED PIPER SERVICES	325.00	pest services
242768 PORTCITY BODYSHOP INC DBA SAFE	85.00	fleet parts/service
242769 POSITIVE PROMOTIONS INC	655.41	misc
242770 PROFORMA	536.10	misc
242771 RUSH TRUCK CENTERS OF OKLAHOMA	350.00	fleet misc
242772 SADLER PAPER COMPANY	174.75	janitorial/misc supplies
242773 SANDERS NURSERY & DISTRIBUTION	67.00	misc
242774 STEWART MARTIN EQUIPMENT	90.37	misc
242775 SUDDENLINK	660.00	IT-internet service
242776 TENDER TOUCH AUTO WASH INC	704.00	fleet misc
242778 TOMMY NIX AUTO GROUP, LLC	1,084.04	fleet parts
242779 TRACY CLEMONS	55.00	travel/education
242780 TWIN CITIES READY MIX INC	604.00	concrete contractor
242781 UNIFIRST HOLDINGS LP	1,159.03	uniforms
242782 UNION PACIFIC RAILROAD COMPANY	2,000.00	lease rent
242783 WARREN CAT	165.86	fleet misc
242784 WASTE MANAGEMENT OF OKLAHOMA I	22,393.50	landfill
242785 YORK STREET TIRE OF MUSKOGEE L	5,327.60	fleet tires/service
242786 GARY GARVIN D	1,920.00	contractor
242787 JUSTIN O'NEAL	7,750.00	contractor
242788 RETAIL ATTRACTIONS LLC	4,000.00	retail development consultant
242789 THREE RIVERS MUSEUM	15,000.00	capital expenditures 23-24
242790 HARP, JENNIFER K	44.72	utility refund



**Purchasing Committee - Time Change**

**3.**

Meeting Date: 04/08/2024  
Submitted For: Dennis Read, Finance  
Initiator: Benita Hotema, Assistant Financial Analyst  
Department: Finance  
Staff Information Source:

---

Information

AGENDA ITEM TITLE:

Consider approval to award bids for lawn maintenance services for FY2024-2025, tentatively beginning July 1, 2024 through June 30, 2025 for specified city properties, or take other necessary action. (Mark Wilkerson)

BACKGROUND:

It is the intent of the City of Muskogee to engage lawn maintenance services to maintain specified City properties for the length of service to be one (1) year with the option for a 1-year renewal. Service will begin July 1, 2024, through June 30, 2025. Lawn maintenance cycles of all assigned areas shall be completed on a 7-day, weekly schedule tentatively beginning on July 1, 2024. The 7-day cycle will begin on Monday and end on Sunday. Mowing cycles must have a minimum 6-day period between cycles and a maximum of 10 days allowed between cycles. Cycles may be altered due to weather related issues and/or special event usage of the property. A one-time Fall season leaf removal for Muskogee Civic Center will be scheduled accordingly with the Assistant Parks Director for Exposition and Civic Facilities.

Request for Quotes were advertised in the local newspaper and on the City website and communicated to all known vendors. Quotes were received on March 11, 2024 and the recommended vendors are listed as follows per their awarded locations:

Property	Address	Cost per Cutting Cycle	Vendors
River Country Water Park	3600 Arline St.	\$175	Blessed Ground Maintenance
Depot Green & Oklahoma Music Hall of Fame	205 Elgin Ave & 401 S. 3rd St.	\$105	Lawn Stars
Hunts Green Space, City Payment Center, City Hall	307 W Broadway, 113 S. 4th St., 229 W. Okmulgee St.	\$70	Lawn Stars
Elliott Park	820 Altamont St.	\$420	UCG2 LLC dba Anago
Coody Creek Bark Park	1121 S. 2nd St.	\$262	Avery Lawn Care
Fairgrounds	1444 S. Cherokee St.	\$700	CityWide Property Maintenance
Former Tourist Information Center	2000 Block of N 32nd St.	\$40	Muskogee Lawn & Tree Service
Muskogee Civic Center	425 Boston St.	\$225	Avery Lawn Care
Muskogee Fire Department	505 Columbus	\$60	Blessed Ground Maintenance

RECOMMENDED ACTION:

Approval to accept recommended quotes as awarded per property for fiscal year 2025.

---

Fiscal Impact

Attachments

*No file(s) attached.*

---



**Purchasing Committee - Time Change**

**4.**

Meeting Date: 04/08/2024  
Submitted For: Mark Wilkerson, Parks & Recreation  
Initiator: Rick Ewing, Assistant Director Parks & Recreation  
Department: Parks & Recreation  
Staff Information Source:

---

Information

AGENDA ITEM TITLE:

Consider approval to purchase a 2024 ALTEC Articulating Overcenter Aerial Lift Truck for the Forestry Division of the Parks & Recreation Department in the amount of \$223,952.00, utilizing cooperative purchase pricing under Sourcewell Contract #110421-ALT, or take other necessary action. (Mark Wilkerson)

BACKGROUND:

The current aerial lift truck in use by the Forestry Division of the Parks & Recreation Department was put into service in 1994. For 30 years, this ALTEC brand unit has worked admirably in our forestry duties, our Garden of Lights endeavors, and many other unique responsibilities of the department as they arose. But this unit is now having serious operational and safety issues that continue to arise. It is now costing us a significant sum of money and lost man hours in productivity to keep this unit operational and safe.

In fiscal 2023-24, a new unit was budgeted, however, the waiting list for delivery is between one and two years. A forestry company from Muncie, Indiana canceled an order with ALTEC, who contacted the Parks Department to make them aware of an available unit.

This unit (ALTEC model LR8-60E70RM) is the same working height as the existing ALTEC unit used by the Forestry Division. The chassis (Freightliner M2-106) is the same truck currently in service in the Sanitation Division. The Fleet Department already has personnel experienced with these trucks, and the parts for maintenance & service are already in stock.

The unit is offered to the City of Muskogee under Sourcewell Contract #110421-ALT and the purchase has been endorsed by Fleet Director Robert Swepston. The purchase amount is already funded in account 213-7520-452.64-10.

RECOMMENDED ACTION:

Recommend approval to purchase this ALTEC Model LR8-60E70RM Articulating Overcenter Aerial Truck from ALTEC Industries, Inc. for the amount of \$223,952.00.

---

Fiscal Impact

FUNDING SOURCE:

The unit is offered to the City of Muskogee under Sourcewell Contract #110421-ALT. The purchase amount is funded in account 213-7520-452.64-10.

---

## Attachments

Bucket Truck #1

Bucket Truck #2

Bucket Truck #3

Bucket Truck Sourcewell Contract

Bucket Truck Specs & Pricing

---









Quote Number: 1585591  
 Opportunity Number: 24101154  
 Sourcewell Contract #: 110421-ALT  
 Date: 3/19/2024

**Quoted for:** City of Muskogee  
**Customer Contact:**  
**Phone: / Email:**

**Quoted by:** James Rizer  
**Phone: / Email:**  
**Altec Account Manager:** Matt Griffin

REFERENCE ALTEC MODEL		Sourcewell Price
LR860-E70	Overcenter Articulating Aerial Device (Insulated)	\$261,298

**(A.) SOURCEWELL OPTIONS ON CONTRACT (Unit)**

1	LR860E70-US70RM	Overcenter Articulating Aerial Device Rear Mount (ROEC required for this option only)	\$3,572
2	LR860E70-ROEC	Rear outriggers and elevator cage MUST Quote items for US70RM	\$5,286
3	LR860E70-EDC1	Secondary Stowage System	\$1,367
4			

**(A1.) SOURCEWELL OPTIONS ON CONTRACT (General)**

1			
2			
3			
4			
5			
6			
7			
8			
9			
10			
<b>SOURCEWELL OPTIONS TOTAL:</b>			\$271,523

**(B.) OPEN MARKET ITEMS (Customer Requested)**

1	UNIT	Lanyard interlock system, Upper & Lower boom out of stow indicators	\$6,846
2	UNIT & HYDRAULIC ACC		\$0
3	BODY	Contract Body	-\$11,145
4	BODY & CHASSIS ACC		\$0
5	ELECTRICAL	Boom out of stow alarm, proximity switches for boom out of stow indicators	\$1,247
6	FINISHING		\$0
7	CHASSIS	2024 M2-106 4x2 chassis	-\$17,754
8	OTHER	Altec model year adjustment	-\$29,488
<b>OPEN MARKET OPTIONS TOTAL:</b>			-\$50,294

**SUB-TOTAL FOR UNIT/BODY/CHASSIS: \$221,229.00**  
**Delivery to Customer: \$4,481.00**  
**Extended Warranty:**  
**TOTAL FOR UNIT/BODY/CHASSIS: \$225,710.00**

**(C.) ADDITIONAL ITEMS (items are not included in total above)**

1			
2			
3			
4			

**\*\*Pricing valid for 45 days\*\***

**NOTES**

**PRICING:** Altec will make every effort to honor this quotation, subject to the following provisions. Prices for equipment with production start dates 12 months and beyond are budgetary only due to irregular cost inflation and market volatility. These prices will be reviewed based on market conditions and confirmed closer to the production date. Quotes and orders with chassis model year beyond the current open order bank, should be considered estimates only. Altec's turn-key pricing is subject to change in accordance with chassis pricing received from the OEM. Chassis model year, specifications and price will be reviewed and confirmed when specific model year information becomes available from the OEM and that chassis price difference will be passed through to the customer.

**PAINT COLOR:** White to match chassis, unless otherwise specified

**WARRANTY:** Standard Altec Warranty for Aerials and Derricks - One (1) year parts warranty One (1) year labor warranty Ninety (90) days

**TO ORDER:** To order, please contact the Altec Account Manager listed above.

**CHASSIS:** Per Altec Commercial Standard

**DELIVERY:** No later than \_\_\_\_\_ months ARO, FOB Customer Location

**TERMS:** Net 30 days

**BEST VALUE:** Altec boasts the following "Best Value" features: Altec ISO Grip Controls for Extra Protection, Only Lifetime Warranty on Structural Components in Industry, Largest Service Network in Industry (Domestic and Overseas), Altec SENTRY Web/CD Based Training, Dedicated/Direct Gov't Sales Manager, In-Service Training with Every Order.

**TRADE-IN:** Please ask your Altec Account Manager for more information

**BUILD LOCATION:** Creedmoor, NC



March 19, 2024  
Our 95th Year

**Ship To:**  
CITY OF MUSKOGEE  
641 PARK DR  
MUSKOGEE, OK 74403  
US

Attn: RICK EWING  
Phone: 918-3607657  
Email: rewing@muskogee.org

**Bill To:**  
CITY OF MUSKOGEE  
837 E OKMULGEE ST  
ATTN PARKS AND REC  
MUSKOGEE, OK 74403-5531  
United States

**Altec Quotation Number:** 1585591 - 1  
**Account Manager:** Matthew M Griffin  
**Technical Sales Rep:** James Rizer

<u>Item</u>	<u>Description</u>	<u>Qty</u>	<u>Price</u>
	<u>Unit</u>		
1.	ALTEC Model LR8-60E70RM Articulating Overcenter Aerial Device with an insulating lower boom, insulating upper boom and the Altec ISO-Grip insulating system at the boom tip. For installation over the rear axle and to include the following features:  <ul style="list-style-type: none"> <li>A. Ground to Bottom of Platform Height: 70.3 feet (21.4 meters).</li> <li>B. Working Height: 75.3 feet (23.0 meters).</li> <li>C. Maximum reach to edge of platform with Upper Boom Non- overcenter (working position): 44.8 feet (13.6 meters) at platform height of 38.7 feet (11.8 meters).</li> <li>D. Maximum reach to edge of platform with Upper Boom Overcenter: 48.4 feet (14.8 meters) at platform height of 19.8 feet (6.0 meters).</li> <li>E. Continuous Rotation.</li> <li>F. Lower Boom: Articulation is from 0 to 125 degrees. Insulator provides 15 inches of isolation in the lower boom.</li> <li>G. Insulating Upper Boom: Articulation is from 0 to 270 degrees. The round filament wound fiberglass section provides a minimum of 19 feet (5.79 meters) of isolation.</li> <li>H. Chain and Rod Leveling: Platform automatically maintains level during boom articulation by means of a high strength chain and fiberglass rods in the booms to maintain dielectric integrity. Lifetime system requires no major preventative maintenance. Platform level adjustment is easily accessible from external location on lower pivot.</li> <li>I. Altec Patented walking link system features uniform speed, smooth and continuous articulation and low maintenance operation.</li> <li>J. Maintenance Free Elbow: nitrided to prevent rust, increase hardness and eliminates the need for grease at the elbow.</li> <li>K. Side-by-Side Boom Stow offers low travel height and easy platform access.</li> <li>L. The INSULATING UPPER CONTROL SYSTEM includes a single handle controller incorporating high electrical resistance components that are dielectrically tested to 40 kV AC with no more than 400 microamperes of leakage. The control handle is green in color to differentiate it from other non-tested controllers.</li> <li>M. The INSULATING SECONDARY CONTROL SYSTEM includes control handles incorporating high electrical resistance components that are dielectrically tested to 40 kV AC with no more than 400 microamperes of leakage. These control</li> </ul>	1	

<u>Item</u>	<u>Description</u>	<u>Qty</u>	<u>Price</u>
	handles are green in color to differentiate it from other non-tested controllers.		
	<b>N.</b> Platform capacity: 400 lbs. (181 kilograms) standard.		
	<b>O.</b> Small Boom Tip Profile.		
	<b>P.</b> Hydraulic system: Open center (full pressure), maximum flow of 6.0 to 6.5 gpm (22.7 to 24.6 lpm), maximum operating pressure of 3,000 psi.		
	<b>Q.</b> Diagnostic pressure test port is located at the lower control station to allow a technician to quickly and easily attach a test gauge to verify system and tool circuit pressure.		
	<b>R.</b> Unit is painted with a powder coat paint process which provides a finish-painted surface that is highly resistant to chipping, scratching, abrasion and corrosion. Paint is electrostatically applied to the inside as well as outside of fabricated parts then high temperature cured prior to assembly ensuring maximum coverage and protection.		
	<b>S.</b> Unit meets or exceeds ANSI 92.2 standards.		
2.	Manual Upper Boom Stow Securing System with support cradle and tie down strap.	1	
3.	Elevator Pedestal	1	
4.	Single, One (1) Man, Fiberglass Platform; fixed side mounted. 24 x 24 x 39 inches.	1	
	Altec Patented ISO-Grip Insulating, Proportional Speed, Upper Control Handle - with safety interlock and interlock guard. Located on the side of the platform nearest the upper boom, mounted on the shaft. Forward/back operates lower boom down/up, tiller operates rotation CW/CCW, and up/down operates upper boom up/down.		
5.	One (1) Platform Step - located on the side of the platform nearest the elbow in the stowed position	1	
6.	Platform Cover - Soft vinyl 24 x 24 inch (610 x 610 mm)	1	
7.	Platform Liner, 24 x 24 x 39 inches (610 x 610 x 991 mm), 50 kV Rating	1	
8.	Hydraulic Tool Circuit at Platform: Two (2) sets of tool couplers for open center tools, one (1) set located on each side of the platform.	1	
9.	Tool Circuit System Relief Pressure to be set to 2250 PSI	1	
10.	Secondary Stowage System: 12 VDC powered motor and pump assembly for temporary operation of the unit in a situation wherein the primary hydraulic source fails. Electric motor is powered by the chassis battery. Control is operated with an air plunger at the platform and a momentary switch located at the lower controls and the outrigger controls. This feature allows the operator to completely stow the booms, platform, and outriggers.	1	
11.	Slip Ring: Required for engine start/stop, secondary stowage system, and throttle control options	1	
12.	Primary A-Frame Outriggers with 5-degree swivel shoe. For installation on a 36 to 40 inch chassis frame height.	1	
	<b>A.</b> Maximum Spread: 140 inches to the outer edge of shoes		
	<b>B.</b> Ground Penetration: 7 to 11 inches depending on chassis frame height		
	<b>C.</b> Outrigger/Unit Selector Valve: reduces the potential for inadvertent outrigger movement during machine operation if outrigger controls are bumped		
	<b>D.</b> Outrigger Control Valves: located on the outrigger legs		

We Wish To Thank You For Giving Us The Pleasure  
And Opportunity of Serving You

<u>Item</u>	<u>Description</u>	<u>Qty</u>	<u>Price</u>
	E. Outrigger Interlocks: will not allow the unit to be operated until the outriggers have been at least partially deployed		
	F. Outrigger Motion Alarms		
13.	Auxiliary A-Frame Outriggers with 5-degree swivel shoe. For installation on a 36 to 40 inch chassis frame height.	1	
	A. Maximum Spread: 140 inches to the outer edge of shoes		
	B. Ground Penetration: 7 to 11 inches depending on chassis frame height		
	C. Outrigger Interlocks: will not allow the unit to be operated until the outriggers have been at least partially deployed		
	D. Outrigger Motion Alarms		
14.	Hydraulic Outrigger Control Valves	1	
15.	Insulating Aerial Device, ANSI Category C, 46kV and Below	1	
16.	Upper Boom Out of Stow Indicator with Proximity Switch	1	
17.	Lower Boom Out of Stow Indicator with Proximity Switch	1	
18.	Lanyard Interlock System- Prevents unit operation and alerts operator with an audible alarm and flashing light if attempting to operate the unit from upper controls without proper lanyard attachment.	1	
19.	Altec Unit Powder Painted White	1	
<b><u>Unit &amp; Hydraulic Acc.</u></b>			
20.	Subbase	1	
21.	Hydraulic Reservoir, 30 Gallon, Rectangular	1	
22.	Hydraulic Oil HVI-22 with Dye (Standard)	35	
23.	Standard Pump For PTO	1	
24.	Hot shift PTO for automatic transmission	1	
25.	Standard Altec PTO/Machine Functionality: PTO won't engage until parking brake is set.-Once parking (holding) brake is set, PTO and machine functions are enabled.-If parking (holding) brake is disengaged, both PTO and machine functions are disabled.	1	
26.	Standard PTO/Transmission Functionality for Automatic Transmissions -If chassis is in gear, and PTO switch is activated, PTO will not engage. Chassis will remain in gear. Once the chassis is shifted back into gear the PTO will disengage. For some truck configurations the PTO switch must be turned off to allow the transmission to shift into gear.	1	
<b><u>Body</u></b>			
27.	140 inch Flatbed, suitable for installing on any 4x2 or 4x4 chassis with an approximate clear CA dimension of 106-121 inches, built to the following specifications:	1	
	A. Basic flatbed fabricated from hot rolled steel.		

We Wish To Thank You For Giving Us The Pleasure  
And Opportunity of Serving You

<u>Item</u>	<u>Description</u>	<u>Qty</u>	<u>Price</u>
B.	Steel treated for improved primer bond and rust resistance.		
C.	Primer applied to exterior of flatbed.		
D.	Automotive underseal applied to entire underside of flatbed.		
E.	Flatbed finish paint color - Jet Black.		
F.	All steel flatbed, 140 inches long x 96 inches wide.		
G.	Floor made from 10 gauge galvaneal.		
H.	Frame built with 4 inch high structural channel.		
I.	3 inch high rail installed around perimeter of flatbed.		
J.	3 inch high pivot rail installed at sides and rear of flatbed.		
K.	Light channels installed at curbside and streetside rear.		
L.	LED FMVSS lights and rear strobes.		
M.	25 inch high u-shaped grab handle installed at rear of flatbed.		
N.	Toe step installed at curbside rear.		
O.	Platform rest assembly installed at curbside rear.		
P.	Mounting provisions for E-Z step provided at the rear of flatbed.		
Q.	Mounting provisions for bolt-on control stand.		
R.	Steel elevator guard, 90 inch long x 40 inch wide x 42 inch high.		

**Body and Chassis Accessories**

28.	Cab Guard, 140" L, 12 GA Sheet Metal With Non-Skid Surface And Expanded Metal Section At Front, Black Gator Hyde Coating	1	
	A. Cab Guard Mounting Kit		
	B. Front Supports For Cab Guard		
29.	ICC (Underride Protection) Bumper Installed At Rear	1	
30.	Rigid Style Pintle Hitch (30,000 LB MGTW with 6,000 LB MVL), 4-Bolt Face Mount, Buyers PH15 (T-60 Style) (Forestry Applications)	1	
31.	Set Of D-Rings for Trailer Safety Chain, installed one each side of towing device mount.	1	
32.	Retractable Ladder Step, Two Rungs, Textured Flat Black, Installed at Rear	1	
33.	Add Interim Step (Toe Step) As Needed.	1	
34.	Platform Access Ladder from Flatbed with Grab Handle	1	
35.	Platform Rest, Rigid with Rubber Tube	1	
36.	Lower Boom Rest Weldment	1	
37.	No Automatic Lower Boom Stow Securing System	1	
38.	Wood Outrigger Pad, 19.5" x 19.5" x 1.88", With Fluorescent Orange Steel Band Around The Outer Edges And Chain Handle	4	
39.	Chain Retainers for Outrigger Pad Holders	1	
40.	Outrigger Pad Holder, 20" L x 20" W x 7" H, Fits 19.5" x 19.5" And Smaller Pads, Bolt-On, Bottom Washout Holes, 3/4" Lip Retainer	2	
41.	Pendulum Retainers For Outrigger Pad Holders	1	

We Wish To Thank You For Giving Us The Pleasure  
And Opportunity of Serving You

UTILITY EQUIPMENT AND BODIES SINCE 1929

<u>Item</u>	<u>Description</u>	<u>Qty</u>	<u>Price</u>
42.	Mud Flaps With Altec Logo (Pair)	1	
43.	Wheel Chocks, Rubber, 9.75" L x 7.75" W x 5.00" H, with 4" L Metal Hairpin Style Handle (Pair)	1	
44.	Wheel Chock Holders (Pair), For Installation Under Flatbed Or Dump Body	1	
45.	U-Shaped Grab Handle	1	
46.	Slope Indicator Assembly (Pair) For Machine With Outriggers	1	
47.	Post Style Cone Holder, Painted Black (Holds up to four (4) 15 x 15 inch large cones). Installed at streetside rear of flatbed.	1	
48.	Front Opening Storage Box, Steel, 60 L x 20 W x 34 H (inches), Barn Style Doors (Open in Center), Gas Props, One (1) Keyed Paddle Latch, Vented, Painted Black	1	
	<ul style="list-style-type: none"> <li>A. Left Side: 42 inch wide Compartment with One (1) Fixed Shelf at Bottom and One (1) Adjustable Shelf - Both shelves to be rubber lined and have removable dividers on 4 inch centers.</li> <li>B. Right Side: 18 inch wide Compartment with Six (6) Material Hooks (3-0-3) installed as high as possible.</li> <li>C. Installed at curbside front of flatbed, flush with retaining rails.</li> </ul>		
49.	Safety Harness & 4.5 FT Lanyard (Medium To X-large)	1	
50.	Driveaway Safety Kit	1	
51.	Vinyl manual pouch for storage of all operator and parts manuals	1	
<b><u>Electrical Accessories</u></b>			
52.	Lights and reflectors in accordance with FMVSS #108 lighting package. (Complete LED, including LED reverse lights)	1	
53.	4-Corner Strobe Lighting, Amber LED, Two (2) Round Lights in Front Corners of Cab Guard and Two (2) Round Lights at Rear	1	
54.	Strobe Lights Wired Battery Hot	1	
55.	Dual Tone Back-Up With Outrigger Motion Alarm	1	
56.	PTO Hour Meter, Digital, with 10,000 Hour Display	1	
57.	6-Way Trailer Receptacle (Pin Type) Installed At Rear	1	
58.	Electric Trailer Brake Controller (Tekonsha Voyager #9030)	1	
59.	Altec Modular Panel System (AMPS) - Includes Mounting Panel and Accessory Switches	1	
60.	Install secondary stowage system.	1	
61.	Install Outrigger Interlock System	1	
62.	Heavy Duty Secondary Stowage Pump	1	

We Wish To Thank You For Giving Us The Pleasure  
And Opportunity of Serving You

UTILITY EQUIPMENT AND BODIES SINCE 1929

<u>Item</u>	<u>Description</u>	<u>Qty</u>	<u>Price</u>
63.	Upper Boom Out of Stow Indicator with Proximity Switch	1	
64.	Lower Boom Out of Stow Indicator with Proximity Switch	1	
65.	PTO Indicator Light Installed In Cab	1	
66.	Additional Sold Stock And Global Option	1	
	Details: Alarm system for boom out of stow while outriggers are not deployed - Includes proximity sensors for both the upper boom and lower boom. - Includes an indicator light on the dash labeled "Boom Out of Stow" - Includes an audible alarm located at the primary outriggers on the curbside. - Both the indicator light and the audible alarm should activate whenever any of the outrigger legs are not fully deployed and the upper boom or lower boom is out of stow		
	<b><u>Finishing Details</u></b>		
67.	Powder Coat Unit Altec White	1	
68.	Finish Paint Body Accessories Above Body Floor Altec White	1	
69.	Altec Standard; Components mounted below frame rail shall be coated black by Altec. i.e. step bumpers, steps, frame extension, pintle hook mount, dock bumper mounts, D-rings, receiver tubes, accessory mounts, light brackets, under-ride protection, etc. Components mounted to under side of body shall be coated black by Altec. i.e. Wheel chock holders, mud flap brackets, pad carriers, boxes, lighting brackets, steps, and ladders.	1	
70.	Vehicle Height Placard, Installed In Cab	1	
71.	Apply Non-Skid Coating to all walking surfaces	1	
72.	English Safety And Instructional Decals	1	
73.	Placard, HVI-22 Hydraulic Oil	1	
74.	Dielectric test unit according to ANSI requirements.	1	
75.	Stability test unit according to ANSI requirements.	1	
76.	Focus Factory Build	1	
77.	Delivery Of Completed Unit	1	
78.	Inbound Freight	1	
79.	As Built Electrical And Hydraulic Schematics To Be Included In The Manual Pouch	1	
80.	Additional Sold Stock And Global Option	1	
	Details: - Test lanyard interlock system in final assembly		
81.	Quick Turnaround	1	

We Wish To Thank You For Giving Us The Pleasure  
And Opportunity of Serving You

UTILITY EQUIPMENT AND BODIES SINCE 1929

<u>Item</u>	<u>Description</u>	<u>Qty</u>	<u>Price</u>
82.	Stock Unit	1	
83.	Stock Unit Sold To Customer	1	

**Chassis**

84.	Altec Supplied Chassis	1	
85.	Altec Stock Chassis	1	
	A. 2024 Model Year		
	B. Freightliner M2-106		
	C. Regular Cab		
	D. 4x2 Drivetrain		
	E. Chassis Color - White		
	F. Cummins B6.7 Engine		
	G. 240 HP Engine Rating		
	H. Allison 2500 RDS Automatic Transmission		
	I. Hydraulic Brakes		
	J. Clear Cab to Axle Length - 87 inches Actual Cab to Axle Length - 90 inches		
	K. 26,000 LBS Gross Vehicle Weight Rating (GVWR)		
	L. 12,000 LBS Front Axle Weight Rating (FAWR)		
	M. 19,000 LBS Rear Axle Weight Rating (RAWR)		
	N. 016-1C3 - Freightliner Horizontal Exhaust (Right-Horizontal-Behind Cab-Horizontal)		
	O. Park Brake In Rear Wheels		
	P. 204-215 Freightliner 50 Gallon Fuel Tank (Left Hand Under Cab)		
	Q. Freightliner - Pre-Wire Chassis with No Cab Backwall Pass-Thru (33U-011)		
	R. No Idle Engine Shut-Down Required		
	S. Air Conditioning		
	T. AM/FM Radio		

**Additional Pricing**

86.	Standard Altec Warranty: One (1) year parts warranty, one (1) year labor warranty, ninety (90) days warranty for travel charges, limited lifetime structural warranty	1	
-----	---	---	--

<b>Unit / Body / Chassis Total</b>	<b>223,952.00</b>
<b>FET Total</b>	<b>0.00</b>
<b>Total</b>	<b>223,952.00</b>

Altec Industries, Inc.

BY \_\_\_\_\_

---

James Rizer

**Notes:**

1 Altec will make every effort to honor this quotation, subject to the following provisions. Prices for equipment with production start dates 12 months and beyond are budgetary only due to irregular cost inflation and market volatility. These prices will be reviewed based on market conditions and confirmed closer to the production date.

For a quoted chassis model year beyond the current open order bank, chassis model year, specifications and price should be considered estimates only and subject to change. Chassis model year, specifications and price will be reviewed and confirmed when specific model year information becomes available from the OEM.

2 Estimated Delivery: months after receipt of order PROVIDING:  
A. Customer supplied chassis (if applicable) is received a minimum of sixty (60) days before scheduled delivery.  
B. Customer approval drawings are returned by requested date.  
C. Customer supplied accessories are received by date necessary for compliance with scheduled delivery.  
D. Customer expectations are accurately captured prior to major components being ordered (body, chassis) and line set date. Unexpected additions or changes made after this time or at a customer inspection will delay the delivery of the vehicle.

Estimated Delivery is based on information at time of quote and is subject to change.

Altec reserves the right to change suppliers in order to meet customer delivery requirements, unless specifically identified, by the customer, during the quote and or ordering process.

3 This quotation is valid until MAY 02,2024. After this date, please contact Altec Industries, Inc. for a possible extension.

4 F.O.B. - #FOB\_TERMS#

5 Interest charge of 1/2% per month to be added for late payment.

6 FINANCING AVAILABLE: Please contact Altec Capital at (888) 408-8148 or email [finance@altec.com](mailto:finance@altec.com) for more information.

7 Price does not reflect any local, state or Federal Excise Taxes (F.E.T). The quote also does not reflect any local title or licensing fees. All appropriate taxes will be added to the final price in accordance with regulations in effect at time of invoicing.

8 Changes made to this order may affect whether or not this vehicle is subject to F.E.T. A review will be made at the time of invoicing and any applicable F.E.T. will be added to the invoice amount.

9 Any payment made by a credit card may be subject to a surcharge fee.

10 Altec Standard Warranty:

One (1) year parts warranty.

One (1) year labor warranty.

Ninety (90) days warranty for travel charges.

Warranty on structural integrity of the following major components is to be warranted for so long as the initial purchaser owns the product: Booms, boom articulation links, hydraulic cylinder structures, outrigger weldments, pedestals, subbases and turntables.

Altec is to supply a self-directed, computer based training (CBT) program. This program will provide basic



instruction in the safe operation of this aerial device. This program will also include and explain ANSI and OSHA requirements related to the proper use and operation of this unit.

Altec offers its standard limited warranty with the Altec supplied components which make up the Altec Unit and its installation, but expressly disclaims any and all warranties, liabilities, and responsibilities, including any implied warranties of fitness for a particular purpose and merchantability, for any customer supplied parts

Altec designs and manufactures to applicable Federal Motor Vehicle Safety and DOT standards

11 Altec Extended Warranty Option:

An Altec Extended Warranty is an extension of Altec's Limited Warranty and protects you from the repair cost associated with defects of materials and workmanship after the standard Limited Warranty expires.

Altec offers many types of coverages and coverage packages. Ask your Altec account manager for details. Quotes are available upon request.

12 After the initial warranty period, Altec Industries, Inc. offers mobile service units, in-shop service and same day parts shipments on most parts from service locations nationwide at an additional competitive labor and parts rate. Call 877-GO-ALTEC for all of your Parts and Service needs.

13 Trade-in offer is conditional upon equipment being maintained to DOT (Department of Transportation) operating and safety standards and remaining in compliance of DOT until arrival at an Altec Facility. This will include, but is not limited to engine, tires, lights, brakes, glass, etc. All equipment, i.e., jibs, winches, pintle hooks, trailer connectors, etc., are to remain with unit unless otherwise agreed upon in writing by both parties. ALTEC Industries reserves the right to re-negotiate its trade-in offer if these conditions are not met.

All reasonable and necessary expenses required of ALTEC Industries to execute transportation of the trade-in will be invoiced to the customer for payment if these conditions are not met to maintain DOT standards.

Customer may exercise the option to rescind this agreement in writing within sixty (60) days after receipt of purchase order. After that time ALTEC Industries will expect receipt of trade-in vehicle upon delivery of new equipment as part of the terms of the purchase order unless other arrangements have been made.

14 The final fully loaded weight of the truck and structural ratings of the hitch assembly may reduce the towing capacity and the vertical load capacity of the finished truck. These capacities may not match the ratings of the chassis or hitch.

15 Altec takes pride in offering solutions that provide a safer work environment for our customers. In an effort to focus on safety, we would encourage you to consider the following items:

- Outrigger pads (When Applicable)
- Fall Protection System
- Fire extinguisher/DOT kit
- Platform Liner (When Applicable)
- Altec Sentry Training
- Wheel Chocks

The aforementioned equipment can be offered in our new equipment quotations. If you find that any of these items have not been listed as priced options with an item number in the body of your quotation and are required by your company, we would encourage you to contact your Altec Account Manager and have an updated quote version sent to you. These options must be listed with an item number in the quotation

for them to be supplied by Altec.

- 16 Altec values your data privacy. The Altec Family of Companies (including Altec, Inc., and its subsidiaries) may collect telematics data from the equipment you own. Please review Altec's Equipment Data Privacy Notice on [www.altec.com](http://www.altec.com) for more information. By purchasing equipment from Altec, you consent to Altec's right to collect and use such data.
- 17 **RECOMMENDED OPTIONS AND ACCESSORIES:** These options are not included in the quote total price. Selected options will change the quote total. Any options added after initial order will be re-quoted.

**Purchasing Committee - Time Change**

**5.**

Meeting Date: 04/08/2024  
Submitted For: Mark Wilkerson, Parks & Recreation  
Initiator: Rick Ewing, Assistant Director Parks & Recreation  
Department: Parks & Recreation  
Staff Information Source: Mark Wilkerson

---

Information

AGENDA ITEM TITLE:

Consider approval to purchase a 2023 Caterpillar 303.5 CR Mini Excavator for the Parks & Recreation Department in the amount of \$66,950.00, utilizing Sourcewell cooperative purchase pricing, or take other necessary action. (Mark Wilkerson)

BACKGROUND:

In FY24, a new excavator was budgeted for the Parks & Recreation Department. The department would like to purchase a 2023 Caterpillar 303.5 CR Mini Excavator from Warren Cat in the amount of \$66,950.00, with all standard equipment in addition to the additional features of hydraulic quick coupler, thumb, 18" bucket, and angle blade for backfilling trenches and grading.

This unit is offered to the City of Muskogee under Sourcewell cooperative purchase pricing for a total discount of \$20,366.00 off the list price of \$85,536.00. The optional extended warranty of 84-MO/5000-HR at \$1,780.00 was included with the price. The purchase amount of \$66,950.00 is funded in account 213-7520-452.64-50.

RECOMMENDED ACTION:

Recommend approval to purchase the Caterpillar 303.5 CR Mini Excavator as quoted for the amount of \$66,950.

---

Fiscal Impact

FUNDING SOURCE:

This unit is offered to the City of Muskogee under Sourcewell cooperative purchase pricing for a total discount of \$20,366.00 off the list price of \$85,536.00. The optional extended warranty of 84-MO/5000-HR at \$1,780.00 was included with the price. The purchase amount of \$66,950.00 is funded in account 213-7520-452.64-50.

---

Attachments

Caterpillar 303.5 CR quote  
Caterpillar 303.5 CR specs

---



Quote 294022-01

Apr 01, 2024

CITY OF MUSKOGEE FLEET DEPARTMENT  
FLEET DEPARTMENT  
PO 1927  
MUSKOGEE  
Oklahoma  
74402

Attention: RICK EWING

Dear Rick Ewing, Thank you for this opportunity to quote Caterpillar products for your business needs. We are pleased to quote the following for your purchase consideration.

One (1) New Caterpillar Model: 303.5 Hydraulic Excavators with all standard equipment in addition to the additional specifications listed below:

**STOCK NUMBER:** C133016

**SERIAL NUMBER:** 0RE903793

**YEAR:** 2023

**SMU:** 5

We wish to thank you for the opportunity of quoting on your equipment needs. This quotation is valid for 30 days, after which time we reserve the right to re-quote. If there are any questions, please do not hesitate to contact me.

Sincerely,

Jeremy Mangrum  
Machine Sales Representative

**One (1) New Caterpillar Model: 303.5 Hydraulic Excavators with all standard equipment in addition to the additional specifications listed below:**

**STANDARD EQUIPMENT**

**POWERTRAIN** -Cat C1.7 NA engine -(U.S. EPA Tier 4 Final/ -JAPAN MLIT Tier 3) -Automatic engine idle -Automatic engine shutdown -Automatic two speed travel -Fuel water separator -

**UNDERCARRIAGE** -Track, 300 mm (11.8") -Dozer blade(BOCE) with float -Tie downs on track frame -

**HYDRAULICS** -Variable displacement piston pump -Smart tech electronic pump -Load sensing/flow sharing hydraulics -Automatic swing brake -Hydraulic lockout - all controls -One and two way auxiliary flow -Continuous auxiliary flow -Bio oil capable

**ELECTRICAL** -12 volt electrical system -Software (machine and monitor) -65 ampere alternator -650CCA maintenance free battery -Battery disconnect -Signaling/warning horn -12 volt power socket -

**OPERATOR ENVIRONMENT** -Product link PLE243 (regulations apply) -Cab sound pressure 94dB(A) ISO 6395 -Coat hook -Next generation color LCD monitor (IP66) --Fuel level and coolant temperature -gauges --Maintenance and machine monitoring --Performance and machine adjustments --Numeric security code --Multiple languages --Hour meter with wake up switch -Cup Holder -Utility space for mobile phone -ROPS - ISO 12117-2:2008 -TOPS - ISO 12117:1997 -Top guard ISO 10262: 1998 Level I -Adjustable wrist rests -Non suspension vinyl seat -Retractable high visibility seat belt -Removable washable floormat -Tilt operator station -Storage pocket -Skylight -Mounting bosses for front guard

**OTHER STANDARD EQUIPMENT** -Control Pattern Changer -Caterpillar corporate "one key" system -Door locks on cab door and external -enclosure doors -Lockable fuel cap -Beacon socket -Joystick travel and steering mode -Travel cruise control -Boom light -

**INSTRUCTIONS** -REGIONAL STANDARD EQUIPMENT INCLUDES: -United States and Canada --Accumulator, certified --Retractable high visibility -seat belt 75mm (3") --Ecology drain - engine --Auxiliary hydraulic lines --Auxiliary line quick disconnects -South America --Accumulator, certified --Retractable high visibility -seat belt 75mm (3") --Ecology drain - engine --Auxiliary hydraulic lines --Auxiliary line quick disconnects -

**MACHINE SPECIFICATIONS**

303.5 07A CR MHE CFG2B	616-3219
303.5 07A CR HYD EXCAVATOR	558-1751
SEAT, SUSPENSION, VINYL	519-9266
CAT KEY, WITH PASS CODE OPTION	525-4465
FILM, PRODUCT LINK, ANSI	541-4787
2 WAY CONTROL	542-1495
FILM, INC. CANADA	542-1504
BOOM LIGHT, LED	542-8886
HYDRAULIC OIL, STD	546-1520
SOFTWARE, PROPORTIONAL CONTROL	557-1709
SOFTWARE, STICK STEER CONTROL	557-1710
SOFTWARE, CODED START	557-1713
ALARM, TRAVEL	558-1744
BOOM, STANDARD	558-1754
LINES, BOOM W/O BLCV	558-1760
LINES, STICK W/O SLCV	558-1763
CANOPY, ROPS	563-6658
TRACK, 12", RUBBER	566-2914
BLADE, ANGLE, BOCE	568-5199
TRAVEL LEVERS AND PEDALS	568-5200
INSTRUCTIONS, ANSI	569-3572
LINKAGE, BUCKET, W/LIFTING EYE	571-9088
STICK, LONG, W/ THUMB BRACKET	571-9661
UNDERCARRIAGE, FIXED, ANGLE BLD	571-9665
DRAIN, ECOLOGY	573-4364
PRODUCT LINK, CELLULAR PL243	573-9677
LINES, BUCKET, LONG STICK	575-2776
CONTROL, 1ST AUX, JOYSTICK	575-4420
LINES, 1ST AUX, LONG STICK	575-7225
ENGINE, EPA TIER 4F	576-2961
MONITOR NEXT GEN, NO CAMERA	580-7179
ACCUMULATOR	588-2227
CWT EXTRA, 550LBS	592-1442
FILM, CANOPY	594-5727
FLOORMAT, CANOPY, W/TRAVEL	594-7895
SEAT BELT, 3" RETRACTABLE	599-7202
FILM, ROPS, ISO, CANOPY	602-3576
LANE 3 ORDER	0P-9003
SERIALIZED TECHNICAL MEDIA KIT	421-8926
SHIPPING/STORAGE PROTECTION	0P-2266
PACKING, LAST MILE PROGRAM	0P-4299
COUPLER, PG, HYDR.D.LOCK, 3-4T	485-5300
PINS, BUCKET, 40MM	154-2638
BUCKET-HD, 18", 2.9 FT3, 3T	464-9902
THUMB, HYDRAULIC, 3-4T	452-2740

CATERPILLAR LIST PRICE	\$85,536.00
<b>SOURCEWELL DISCOUNT OF 20% OFF LIST</b>	<b>(\$17,107.20)</b>
BALANCE BEFORE ADDITIONAL DEALER DISCOUNT	\$68,428.80
<b>ADDITIONAL DISCOUNT PROVIDED BY WARREN CAT</b>	<b>(\$3,258.80)</b>
BALANCE DUE BEFORE OPTIONAL EXTENDED WARRANTY	\$65,170.00
<i>OPTIONAL EXTENDED WARRANTY</i>	<i>\$1,780.00</i>
<b>BALANCE INCLUDING OPTIONAL EXTENDED WARRANTY</b>	<b>\$66,950.00</b>

**WARRANTY**

Standard Warranty:	Standard 24 Month 2000 Hour Full Machine Coverage
Extended Coverage:	303.5-84 MO/5000 HR PREMIER- <b>OPTIONAL FOR ADDITIONAL CHARGE</b>

**F.O.B/TERMS:**

Delivered to Muskogee, OK

**PAYMENT TERMS**

**Cash Invoice Terms**

CASH WITH ORDER	QUOTE SELL PRICE
\$0.00	\$66,950.00

Accepted by \_\_\_\_\_ on \_\_\_\_\_

Signature



# Cat<sup>®</sup> 303.5 CR

## MINI EXCAVATOR

### FEATURES:

The Cat<sup>®</sup> 303.5 CR Mini Excavator delivers power and performance in a compact size to help you work in a wide range of applications.

#### ALL DAY COMFORT

- Choose either a canopy or a sealed and pressurized cab which can be equipped with air conditioning, adjustable wrist rests, and a suspension seat option to help keep you working comfortably all day long.

#### EASY TO OPERATE

- Controls are easy to use and the intuitive Next Generation LCD monitor provides easy to read machine information. An advanced touchscreen monitor can also be equipped.

#### STICK STEER TRAVEL MODE

- Moving around the job site is even easier with the Cat Stick Steer option. Easily switch from traditional travel controls with levers and pedals to joystick controls to move the machine and to operate the blade. The benefit of less effort and improved control is in your hands!

#### BIG PERFORMANCE IN A COMPACT DESIGN

- Strong lift and dig performance helps you get the job done faster. The compact radius design lets you access and work in the tightest areas. Dozer float allows for easy clean up.

#### SAFETY ON THE JOB SITE

- Your safety is our top priority. The Cat mini excavator is designed to help keep you safe on the job. Courtesy work lights and a fluorescent retractable seat belt are just a couple of the safety features we've built into the machine.

#### SIMPLE SERVICE FOR LESS DOWNTIME

- Maintenance is quick and easy on the Cat mini excavator. Routine check points are easy to access at ground level through the side doors. The unique tilt up cab or canopy lets you reach additional service areas when needed.

#### LOWER OPERATING COSTS

- Equipped with features such as auto idle, auto engine shutdown, and efficient hydraulics with a variable displacement pump, the Cat mini excavator was designed with reducing your operating costs in mind.

#### UNMATCHED DEALER SUPPORT

- Your Cat dealer is here to help you reach your business goals. From providing equipment solutions to operator training to service needs and beyond, your Cat dealer is ready to help.

## Specifications

### Engine

Engine Model	C1.7	
<b>Net Power @ 2,200 rpm</b>		
ISO 9249, 80/1269/EEC	17.6 kW	23.6 hp
<b>Gross Power @ 2,200 rpm</b>		
SAE J1995:2014	18.4 kW	24.7 hp
Bore	84.0 mm	3.3 in
Stroke	100.0 mm	3.9 in
Displacement	1.7 L	104.0 in <sup>3</sup>

- Meets U.S. EPA Tier 4 Final and EU Stage V emission standards.
- Net power advertised is the power available at the flywheel when the engine is at rated speed and rated power when the engine is installed with the factory configured fan, air intake system, exhaust system, and alternator with a minimum alternator load.

### Weights

Minimum Operating Weight with Canopy*	3480 kg	7,673 lb
Maximum Operating Weight with Canopy**	4050 kg	8,930 lb
Minimum Operating Weight with Cab*	3620 kg	7,982 lb
Maximum Operating Weight with Cab**	4190 kg	9,239 lb
EU: CE Plate Weight with Canopy***	3530 kg	7,784 lb
EU: CE Plate Weight with Cab***	3630 kg	8,004 lb

\*Minimum Weight is based on fixed rubber tracks, operator, full fuel tank, standard stick, blade, bucket and no extra counterweight.

\*\*Maximum Weight is based on steel tracks, operator, full fuel tank, long stick, blade, bucket and extra counterweight.

\*\*\*CE Plate Weight is based on the most common EU configuration. Includes 75 kg (165 lb) operator and full fuel tank and excludes bucket.





# 303.5 CR Mini Excavator

## Weight Increase from Minimum Configuration

Cab	140 kg	309 lb
Counterweight (light)	100 kg	221 lb
Counterweight (extra)	250 kg	551 lb
Long Stick	20 kg	44 lb
Steel Tracks	130 kg	287 lb
Angle Blade	160 kg	353 lb

## Travel System

Travel Speed – High	4.5 km/h	2.8 mph
Travel Speed – Low	2.6 km/h	1.6 mph
Maximum Traction Force – High Speed	16.9 kN	3,799 lbf
Maximum Traction Force – Low Speed	31.0 kN	6,969 lbf
Ground Pressure – Minimum Weight	29.6 kPa	4.3 psi
Ground Pressure – Maximum Weight	35.7 kPa	5.2 psi
Gradeability (maximum)	30 degrees	

## Service Refill Capacities

Cooling System	7.0 L	1.8 gal
Engine Oil	6.0 L	1.6 gal
Fuel Tank	45.0 L	11.9 gal
Hydraulic Tank	20.0 L	5.3 gal
Hydraulic System	45.0 L	11.9 gal

## Hydraulic System

Load Sensing Hydraulics with Variable Displacement Piston Pump

Pump Flow @ 2,400 rpm	100 L/min	26 gal/min
Operating Pressure – Equipment	245 bar	3,553 psi
Operating Pressure – Travel	245 bar	3,553 psi
Operating Pressure – Swing	181 bar	2,625 psi
Auxiliary Circuit – Primary		
Flow*	70 L/min	18 gal/min
Pressure*	245 bar	3,553 psi
Auxiliary Circuit – Secondary		
Flow*	25 L/min	7.0 gal/min
Pressure*	245 bar	3,553 psi
Digging Force – Stick (standard)	18.9 kN	4,249 lbf
Digging Force – Stick (long)	16.9 kN	3,799 lbf
Digging Force – Bucket	33.0 kN	7,419 lbf

\*Flow and pressure are not combinable. Under load, as flow rises pressure goes down.

## Swing System

Machine Swing Speed	9.0 rpm
Boom Swing – Left	75 Degrees
Boom Swing – Right	50 Degrees

## Blade

Width	1780 mm	70.1 in
Height	350 mm	13.8 in

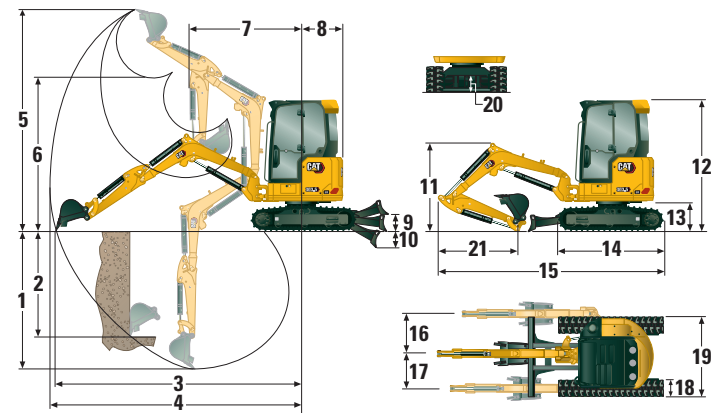
## Certification – Cab and Canopy

Roll Over Protective Structure (ROPS)	ISO 12117-2:2008
Tip Over Protective Structure (TOPS)	ISO 12117:1997
Top Guard	ISO 10262:1998 (Level I)

## Sound

Operator Sound Pressure (ISO 6396:2008)	78 dB(A)
Average Exterior Sound Pressure (ISO 6395:2008)	94 dB(A)

• European Union Directive “2000/14/EC”



## Dimensions

	Standard Stick	Long Stick
<b>1</b> Dig Depth	2810 mm (110.6 in)	3110 mm (122.4 in)
<b>2</b> Vertical Wall	2250 mm (88.6 in)	2390 mm (94.1 in)
<b>3</b> Maximum Reach at Ground Level	5130 mm (202.0 in)	5380 mm (211.8 in)
<b>4</b> Maximum Reach	5270 mm (207.5 in)	5510 mm (216.9 in)
<b>5</b> Maximum Dig Height	4920 mm (193.7 in)	5020 mm (197.6 in)
<b>6</b> Maximum Dump Clearance	3490 mm (137.4 in)	3600 mm (141.7 in)
<b>7</b> Boom in Reach	1760 mm (69.3 in)	1860 mm (73.2 in)
<b>8</b> Tail Swing		
without Counterweight	890 mm (35.0 in)	890 mm (35.0 in)
with Counterweight (light)	960 mm (37.8 in)	960 mm (37.8 in)
with Counterweight (extra)	1005 mm (39.6 in)	1005 mm (39.6 in)
<b>9</b> Maximum Blade Height	385 mm (15.2 in)	385 mm (15.2 in)
<b>10</b> Maximum Blade Depth	535 mm (21.1 in)	535 mm (21.1 in)
<b>11</b> Boom Height in Shipping Position	1520 mm (59.8 in)	1750 mm (68.9 in)
<b>12</b> Overall Shipping Height	2480 mm (97.6 in)	2480 mm (97.6 in)
<b>13</b> Swing Bearing Height	565 mm (22.2 in)	565 mm (22.2 in)
<b>14</b> Overall Undercarriage Length	2220 mm (87.4 in)	2220 mm (87.4 in)
<b>15</b> Overall Shipping Length†	4800 mm (189.0 in)	4850 mm (190.9 in)
<b>16</b> Boom Swing Right	870 mm (34.3 in)	870 mm (34.3 in)
<b>17</b> Boom Swing Left	640 mm (25.2 in)	640 mm (25.2 in)
<b>18</b> Track Belt/Shoe Width	300 mm (11.8 in)	300 mm (11.8 in)
<b>19</b> Track Width	1780 mm (70.1 in)	1780 mm (70.1 in)
<b>20</b> Ground Clearance	310 mm (12.2 in)	310 mm (12.2 in)
<b>21</b> Stick Length	1260 mm (49.6 in)	1560 mm (61.4 in)

†Overall Shipping Length depends on blade position during shipment.

## Cab

Lift Capacities – Minimum Configuration			Lift Point Radius – 2 m (6.6 ft)			Lift Point Radius – 3 m (9.8 ft)			Lift Point Radius (Maximum)			
			Over Front			Over Front			Over Front			m (ft)
			Blade Down	Blade Up	Over Side	Blade Down	Blade Up	Over Side	Blade Down	Blade Up	Over Side	
Lift Point Height	kg (lb)	kg (lb)	kg (lb)	kg (lb)	kg (lb)	kg (lb)	kg (lb)	kg (lb)	kg (lb)	kg (lb)		
	3 m (9.8 ft)	Standard Stick				*917 (*2,022)	*917 (*2,022)	904 (1,993)	*835 (*1,841)	583 (1,285)	575 (1,268)	3.95 (13.0)
3 m (9.8 ft)	Long Stick							*758 (*1,671)	514 (1,133)	507 (1,118)	4.26 (14.0)	
2 m (6.6 ft)	Standard Stick				*1176 (*2,593)	888 (1,958)	867 (1,911)	*809 (*1,784)	483 (1,065)	478 (1,054)	4.41 (14.5)	
	Long Stick				*1033 (*2,377)	892 (1,967)	870 (1,918)	*750 (*1,653)	435 (959)	430 (948)	4.67 (15.3)	
1 m (3.3 ft)	Standard Stick				*1547 (*3,411)	833 (1,836)	813 (1,792)	*860 (*1,896)	454 (1,001)	449 (990)	4.54 (14.9)	
	Long Stick				*1462 (*3,223)	831 (1,832)	811 (1,788)	*805 (*1,775)	410 (904)	406 (895)	4.79 (15.7)	
0 m (0 ft)	Standard Stick				*1676 (*3,695)	805 (1,775)	786 (1,733)	*947 (*2,088)	472 (1,041)	466 (1,027)	4.39 (14.4)	
	Long Stick		*1345 (*2,965)	*1345 (*2,965)	*1345 (*2,965)	*1696 (*3,739)	793 (1,748)	774 (1,706)	*907 (*2,000)	424 (935)	420 (926)	4.63 (15.2)

Minimum Weight includes cab, rubber tracks, no extra counterweight, operator, full fuel tank and blade.

Lift Capacities – Maximum Configuration			Lift Point Radius – 2 m (6.6 ft)			Lift Point Radius – 3 m (9.8 ft)			Lift Point Radius (Maximum)			
			Over Front			Over Front			Over Front			m (ft)
			Blade Down	Blade Up	Over Side	Blade Down	Blade Up	Over Side	Blade Down	Blade Up	Over Side	
Lift Point Height	kg (lb)	kg (lb)	kg (lb)	kg (lb)	kg (lb)	kg (lb)	kg (lb)	kg (lb)	kg (lb)	kg (lb)		
	3 m (9.8 ft)	Standard Stick				*917 (*2,022)	*917 (*2,022)	*917 (*2,022)	*835 (*1,841)	720 (1,587)	663 (1,462)	3.95 (13.0)
3 m (9.8 ft)	Long Stick							*758 (*1,671)	638 (1,407)	588 (1,296)	4.26 (14.0)	
2 m (6.6 ft)	Standard Stick				*1176 (*2,593)	1086 (2,394)	988 (2,178)	*809 (*1,784)	602 (1,327)	556 (1,226)	4.41 (14.5)	
	Long Stick				*1033 (*2,377)	*1033 (*2,377)	992 (2,187)	*750 (*1,653)	546 (1,204)	504 (1,111)	4.67 (15.3)	
1 m (3.3 ft)	Standard Stick				*1547 (*3,411)	1031 (2,273)	936 (2,064)	*860 (*1,896)	568 (1,252)	524 (1,155)	4.54 (14.9)	
	Long Stick				*1462 (*3,223)	1029 (2,269)	933 (2,057)	*805 (*1,775)	518 (1,142)	477 (1,052)	4.79 (15.7)	
0 m (0 ft)	Standard Stick				*1676 (*3,695)	1003 (2,211)	909 (2,004)	*947 (*2,088)	591 (1,303)	545 (1,202)	4.39 (14.4)	
	Long Stick		*1345 (*2,965)	*1345 (*2,965)	*1345 (*2,965)	*1696 (*3,739)	991 (2,185)	897 (1,978)	*907 (*2,000)	536 (1,182)	494 (1,089)	4.63 (15.2)

Maximum Weight includes cab, steel tracks, extra counterweight, operator, full fuel tank and blade.

## Canopy

Lift Capacities – Minimum Configuration			Lift Point Radius – 2 m (6.6 ft)			Lift Point Radius – 3 m (9.8 ft)			Lift Point Radius (Maximum)			
			Over Front			Over Front			Over Front			m (ft)
			Blade Down	Blade Up	Over Side	Blade Down	Blade Up	Over Side	Blade Down	Blade Up	Over Side	
Lift Point Height	kg (lb)	kg (lb)	kg (lb)	kg (lb)	kg (lb)	kg (lb)	kg (lb)	kg (lb)	kg (lb)	kg (lb)		
	3 m (9.8 ft)	Standard Stick				*917 (*2,022)	884 (1,949)	866 (1,909)	*835 (*1,841)	555 (1,224)	549 (1,210)	3.95 (13.0)
3 m (9.8 ft)	Long Stick							*764 (*1,684)	490 (1,080)	485 (1,069)	4.26 (14.0)	
2 m (6.6 ft)	Standard Stick				*1176 (*2,593)	846 (1,865)	829 (1,828)	*809 (*1,784)	458 (1,010)	455 (1,003)	4.41 (14.5)	
	Long Stick				*1034 (*2,280)	851 (1,876)	834 (1,839)	*755 (*1,664)	413 (911)	411 (906)	4.67 (15.3)	
1 m (3.3 ft)	Standard Stick				*1547 (*3,411)	791 (1,744)	776 (1,711)	*860 (*1,896)	429 (946)	427 (941)	4.54 (14.9)	
	Long Stick				*1461 (*3,221)	788 (1,737)	772 (1,702)	*809 (*1,784)	389 (858)	387 (853)	4.79 (15.7)	
0 m (0 ft)	Standard Stick				*1676 (*3,695)	763 (1,682)	749 (1,651)	*947 (*2,088)	446 (983)	443 (977)	4.39 (14.4)	
	Long Stick		*1351 (*2,978)	*1351 (*2,978)	*1351 (*2,978)	*1694 (*3,735)	749 (1,651)	735 (1,620)	*908 (*2,002)	402 (886)	399 (880)	4.63 (15.2)

Minimum Weight includes canopy, rubber tracks, no extra counterweight, operator, full fuel tank and blade.

Lift Capacities – Maximum Configuration			Lift Point Radius – 2 m (6.6 ft)			Lift Point Radius – 3 m (9.8 ft)			Lift Point Radius (Maximum)			
			Over Front			Over Front			Over Front			m (ft)
			Blade Down	Blade Up	Over Side	Blade Down	Blade Up	Over Side	Blade Down	Blade Up	Over Side	
Lift Point Height	kg (lb)	kg (lb)	kg (lb)	kg (lb)	kg (lb)	kg (lb)	kg (lb)	kg (lb)	kg (lb)	kg (lb)		
	3 m (9.8 ft)	Standard Stick				*917 (*2,022)	*917 (*2,022)	*917 (*2,022)	*835 (*1,841)	691 (1,523)	639 (1,409)	3.95 (13.0)
3 m (9.8 ft)	Long Stick							*758 (*1,671)	612 (1,349)	566 (1,248)	4.26 (14.0)	
2 m (6.6 ft)	Standard Stick				*1176 (*2,593)	1044 (2,302)	953 (2,101)	*809 (*1,784)	577 (1,272)	534 (1,177)	4.41 (14.5)	
	Long Stick				*1033 (*2,277)	*1033 (*2,277)	956 (2,108)	*750 (*1,653)	523 (1,153)	483 (1,065)	4.67 (15.3)	
1 m (3.3 ft)	Standard Stick				*1547 (*3,411)	989 (2,180)	901 (1,986)	*860 (*1,896)	544 (1,199)	504 (1,111)	4.54 (14.9)	
	Long Stick				*1462 (*3,223)	987 (2,176)	898 (1,980)	*805 (*1,775)	495 (1,091)	458 (1,010)	4.79 (15.7)	
0 m (0 ft)	Standard Stick				*1676 (*3,695)	961 (2,199)	874 (1,927)	*947 (*2,088)	566 (1,248)	523 (1,153)	4.39 (14.4)	
	Long Stick		*1345 (*2,965)	*1345 (*2,965)	*1345 (*2,965)	*1696 (*3,739)	949 (2,092)	862 (1,900)	*907 (*2,000)	513 (1,131)	473 (1,043)	4.63 (15.2)

Maximum Weight includes canopy, steel tracks, extra counterweight, operator, full fuel tank and blade.

\*The above loads are in compliance with hydraulic excavator lift capacity rating standard ISO 10567:2007 and they do not exceed 87% of hydraulic lifting capacity or 75% of tipping capacity. The excavator bucket weight is not included on this chart. Lifting capacities are for standard stick.

# 303.5 CR Mini Excavator

## Standard and Optional Equipment

Standard and optional equipment may vary. Consult your Cat dealer for details.

	Standard	Optional		Standard	Optional
<b>ENGINE</b>			<b>OPERATOR ENVIRONMENT (continued)</b>		
Cat® C1.7 NA Engine (U.S. EPA Tier 4 Final/EU Stage V)	✓		Next Generation Color LCD Monitor (IP66)	✓	
Automatic Engine Idle	✓		– Fuel Level and Coolant Temperature Gauges	✓	
Automatic Engine Shutdown	✓		– Maintenance and Machine Monitoring	✓	
Automatic Two Speed Travel	✓		– Performance and Machine Adjustments	✓	
Fuel Water Separator	✓		– Numeric Security Code	✓	
Power on Demand (not available in all regions)	✓		– Multiple Languages	✓	
Variable Displacement Piston Pump	✓		– Hour Meter with Wake Up Switch	✓	
Load Sensing/Flow Sharing Hydraulics	✓		– Jog Dial (cab only)	✓	
<b>HYDRAULICS</b>			Next Generation Advanced Monitor		✓
Smart Tech Electronic Pump	✓		– Touch Screen		✓
Accumulator	✓		– Site Reference System		✓
Automatic Swing Brake	✓		– High Definition Camera Capable (IP68 and IP69K)		✓
Auxiliary Hydraulic Lines	✓		– Numeric Security Code		✓
One and Two Way Auxiliary Flow	✓		<b>UNDERCARRIAGE</b>		
Continuous Auxiliary Flow	✓		Rubber Belt (300 mm/11.8 in wide)	✓	
Auxiliary Line Quick Disconnects	✓		Steel Track (300 mm/11.8 in wide)		✓
<b>OPERATOR ENVIRONMENT</b>			Dozer Blade	✓	
Tilt-up Canopy or Tilt-Up Cab	✓		Dozer Blade Float	✓	
Cab with Air Conditioning		✓	Angle Blade		✓
Cab with Heater		✓	Tie Downs on Track Frame	✓	
Top Guard ISO 10262:1998 Level I	✓		<b>BOOM, STICK AND LINKAGES</b>		
ROPS – ISO 12117-2:2008	✓		One Piece Boom (2400 mm/94.5 in)	✓	
TOPS – ISO 12117:1997	✓		Standard Stick (1260 mm/49.6 in)	✓	
Stick Steer Mode	✓		Long Stick (1560 mm/61.4 in)		✓
Travel Cruise Control	✓		Front Shovel Capable	✓	
Control Pattern Changer (optional in some regions)	✓		Pin-On	✓	
Adjustable Wrist Rests	✓		Dual Lock Manual Coupler		✓
Washable Floor Mat	✓		Hydraulic Coupler		✓
Travel Pedals and Hand Levers	✓		Thumb Ready (not available in all regions)	✓	
No Travel Pedals and Hand Levers (optional in some regions)		✓	Certified Lifting Eye (optional in some regions)	✓	
Machine Security	✓		Attachments including Couplers, Thumbs, Buckets, Augers and Hammers		✓
Standard Key with Pass Code	✓		2nd Auxiliary Hydraulic Lines		✓
Push to Start with Key Fob/Pass Code		✓	Bucket Divert Lines		✓
Fabric Suspension Seat (Cab only)	✓		Boom Lowering Check Valve		✓
Vinyl Suspension Seat (Canopy only)	✓		Stick Lowering Check Valve		✓
Vinyl Non-Suspension Seat (Canopy only) (not available in all regions)		✓	Hydraulic Quick Coupler Lines (not available in all regions)		✓
Hydraulic Lockout – All Controls	✓		<b>ELECTRICAL</b>		
Retractable High Visibility Seat Belt (75 mm/3 in)	✓		12 Volt Battery	✓	
Coat Hook	✓		Software (machine and monitor)	✓	
Cup Holder	✓		Maintenance Free Battery	✓	
Storage Pocket	✓		Battery Disconnect	✓	
Skylight	✓		Signaling/Warning Horn	✓	
Mounting Bosses for Front	✓		12 Volt Power Socket	✓	
Signaling/Warning Horn	✓		Product Link PL243 (regulations apply)		✓
Interior Light (Cab only)	✓		Product Link PLE643 (regulations apply)		✓
Boom Light, Halogen (not available in all regions)	✓		Travel Alarm (standard in some regions)		✓
LED Front Lights		✓	<b>GUARDING</b>		
LED Front and Rear Lights		✓	Polycarbonate Half Height Front Guard (Canopy only)		✓
LED Boom Light		✓	Polycarbonate Front Guard (ISO 10262:1998 Level I and EN356 P5A)		✓
Utility Space for Mobile Phone	✓		Heavy Duty Front Guard ISO 10262:1998 Level II		✓
Mirrors Left and Right		✓	<b>OTHER</b>		
Camera		✓	Bio Oil Capable		✓
Radio – Bluetooth®, Auxiliary, Microphone, USB (charging only) (Cab only)		✓	Eco Drain		✓
			Water Jacket Heater		✓
			Light Counterweight (100 kg/221 lb)		✓
			Extra Counterweight (250 kg/551 lb)		✓

For more complete information on Cat products, dealer services, and industry solutions, visit us on the web at [www.cat.com](http://www.cat.com)

© 2021 Caterpillar  
All rights reserved

Materials and specifications are subject to change without notice. Featured machines in photos may include additional equipment. See your Cat dealer for available options.

CAT, CATERPILLAR, LET'S DO THE WORK, their respective logos, "Caterpillar Corporate Yellow," the "Power Edge" and Cat "Modern Hex" trade dress as well as corporate and product identity used herein, are trademarks of Caterpillar and may not be used without permission.

AEHQ8351-00 (03-2021)  
Build Number: 07A  
(Global excluding  
China and Japan)

