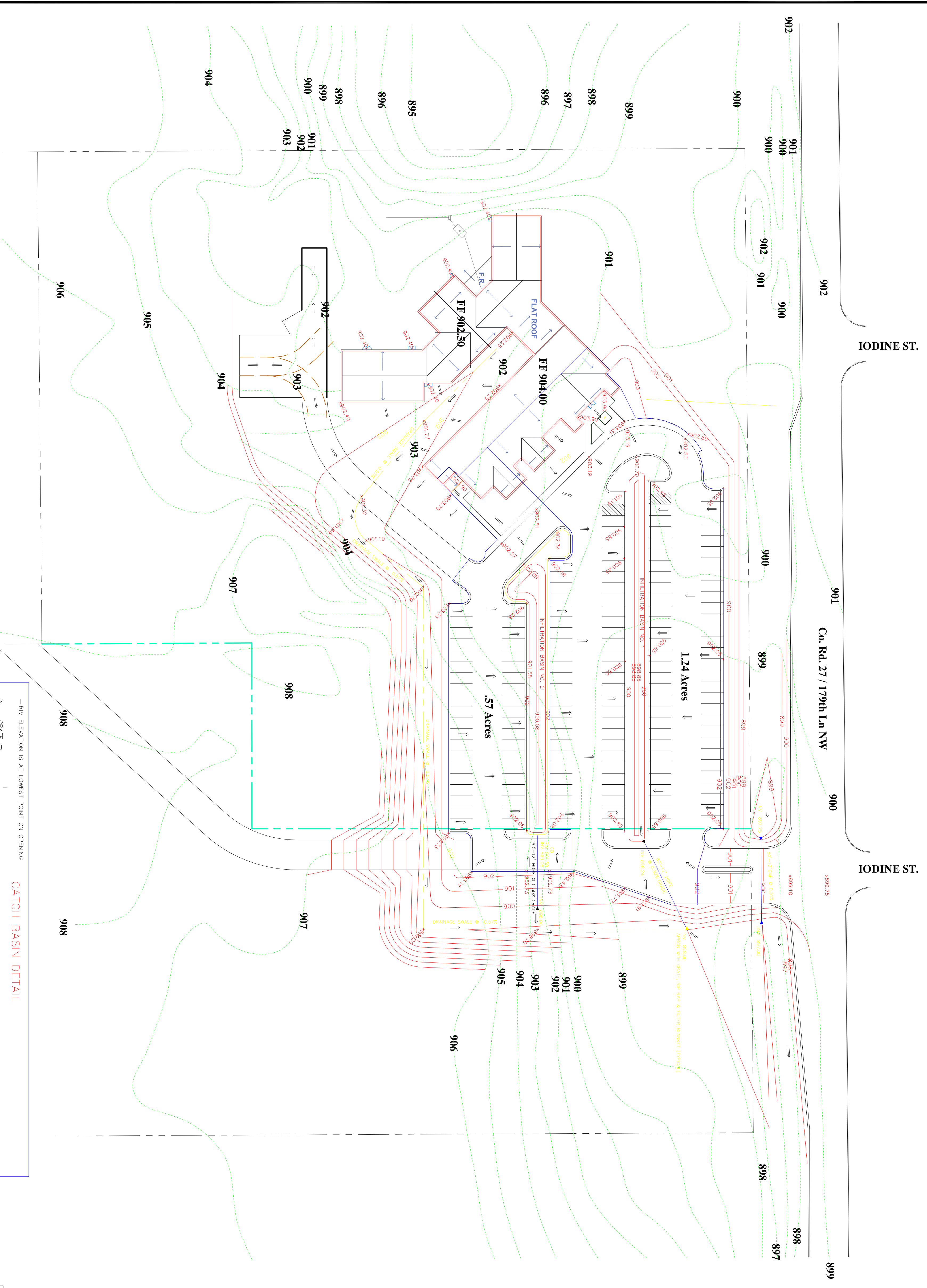
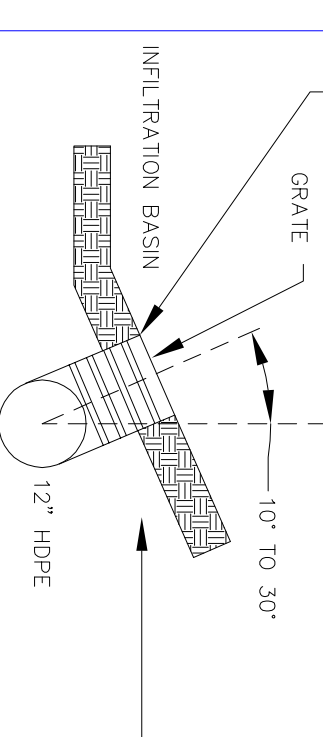


# CROSS OF HOPE LUTHERAN CHURCH

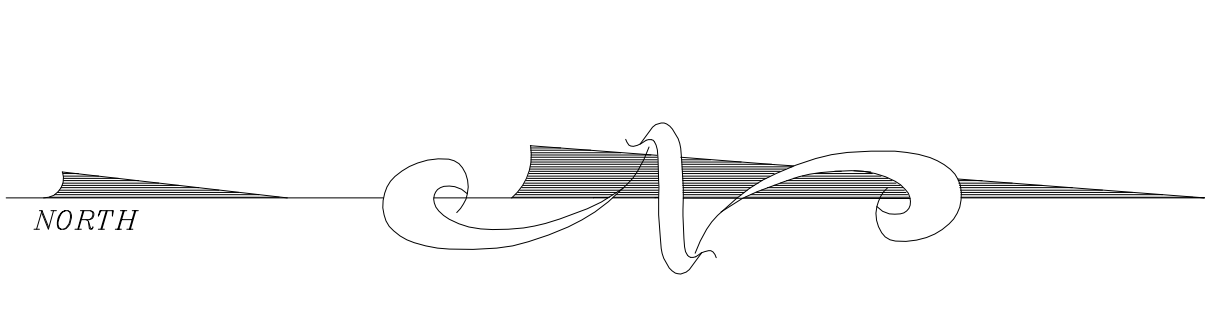


**CATCH BASIN DETAIL**



RAW ELEVATION IS AT LOWEST POINT ON OPENING

DRAINAGE STRUCTURES CAN BE BUILT WITH A COMBINATION OF SMALL 27" CONCRETE CATCH BASINS AND HOPE FILTERING ALSO MAKE SMALL HOPE DRAINAGE STRUCTURES AS AN ALTERNATE TO CONCRETE STRUCTURES.



- LEGEND**
- XXX--- EXISTING GRADE
  - XXX--- PROPOSED GRADE
  - XXX--- DENOTES PROPOSED DRAINAGE
  - XXX--- DENOTES PROPOSED ELEVATION
  - XXX--- DENOTES EXISTING ELEVATION

**CROSS OF HOPE LUTHERAN CHURCH**

5730 179TH LANE  
RAMSEY, MN 55303

**C1**

Client: STEVE BERNA, ARCHITECT 11200 SILVERWATER BLVD, STE 103 LAKE ELMO, MN 651-746-1018	Designed by: JF	Original date: 1-10-11	<p>THIS DRAWING IS THE PROPERTY OF RAMSEY SURVEYING, INC. AND IS NOT TO BE REPRODUCED OR TRANSMITTED IN ANY FORM OR BY ANY MEANS, ELECTRONIC OR MECHANICAL, INCLUDING PHOTOCOPYING, RECORDING, OR BY ANY INFORMATION STORAGE AND RETRIEVAL SYSTEM, WITHOUT THE WRITTEN PERMISSION OF RAMSEY SURVEYING, INC.</p>
LAKE AND LAND SURVEYING, INC. 1236 HUSON ROAD, ST PAUL, MN PHON: (651) 755-5511 FAX: (651) 755-5500	Drawn by: JF	Revisions:	
SALE NUMBER: 2011.002	Survey book No.:	Page title: GRADING & DRAINAGE PLAN	Sheet number: of

CALL 48 HOURS BEFORE DISCARD:  
**COPHER STATE ONE CALL**  
TWIN CITY AREA: (651) 554-0102  
MINNESOTA: TOLL FREE: 1-800-525-9166