

**CITY OF RAMSEY - HAPPY DAYS ELECTRICAL SERVICE
Request for Proposals (RFP) Clarification**

August 2, 2011

TO ALL PROPOSERS: The RFP distributed by the City of Ramsey last Friday (7/29/11) for the electrical installation to service the City Happy Days event is being clarified as follows:

- We are requesting two separate bids:
 - A bid to install the meter, 600' of wire in conduit, 3 underground vaults, and 3 service panels (all as described in the RFP), and
 - An ALTERNATE bid to install the meter, 300' of wire in conduit, 2 underground vaults, and 2 service panels.

The date and time that proposals must be submitted has not changed; they are due by 10:00 am Monday, August 8, 2011.

All proposals submitted must include two separate bids, as described above. Additional questions related to this project should be directed to Tim Himmer, City Engineer (763-433-9893).

July 29, 2011

To:

Aid Electric	763 571-4735 F
Kevin Hackett	320 968-4496 F
Ready Watt Electric	763 241-5245 F
S & S Electric	763 241-4089 F

Request for Proposal

The City of Ramsey is requesting proposals for installing electrical service cabinets in the park located north of the Ramsey Municipal Center, 7550 Sunwood Drive. The service locations are shown on the attached sketch. The purpose for this installation is to provide permanent power for the annual Happy Days Celebration. The facility could also be used for other events throughout the year.

Connexus Energy will install underground cable to the northeast corner of the site. The application for service has been submitted by the City. The city is requesting a 320 amp service.

The work included in this proposal generally includes installation of the meter, installation of 600 feet of underground conduit with wire, installation of three (3) underground vaults and 3 service panels mounted on a 4 x 4 post.

Each vault shall have a sleeve to accept and hold the 4 x 4 post vertical and damp proof connectors for attaching the panel to the underground wire. Each vault shall also be provided with 2 covers, one with an opening to accept the post and wire to the panel, the other shall be solid. The covers must be lockable. The panel will be stored by the city and installed prior to events in the park.

Each panel shall have a 200 amp main breaker, 8 20 amp single pole breakers, 2 50 amp 2 pole breakers, 2 50 amp 125/ 250 V cam lock connections, and 8 20 amp GFI outlets with covers.

Please provide a cost to for installing all of the work as detailed and a cost for installing 2 panels and 300 feet of conduit and wiring. The City Council has authorized up to \$13,000 for this project, including the service installation by Connexus Energy.

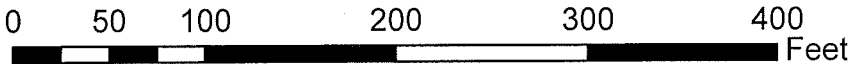
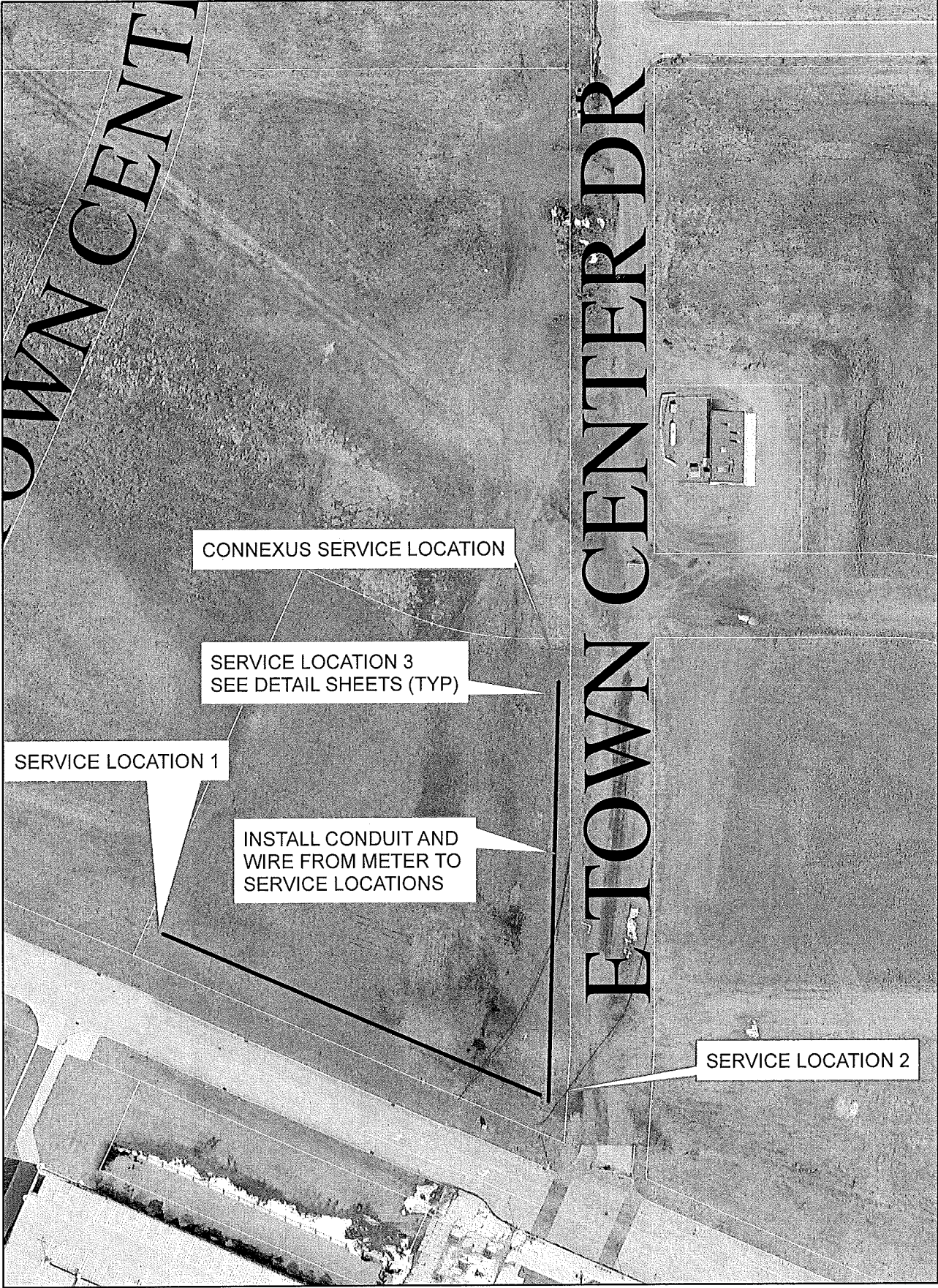
The work needs to be completed and operational by September 9, 2011.

Please submit your proposal by 10:00 am Monday August 8 to City of Ramsey, Attn: Leonard Linton, Civil Engineer II.

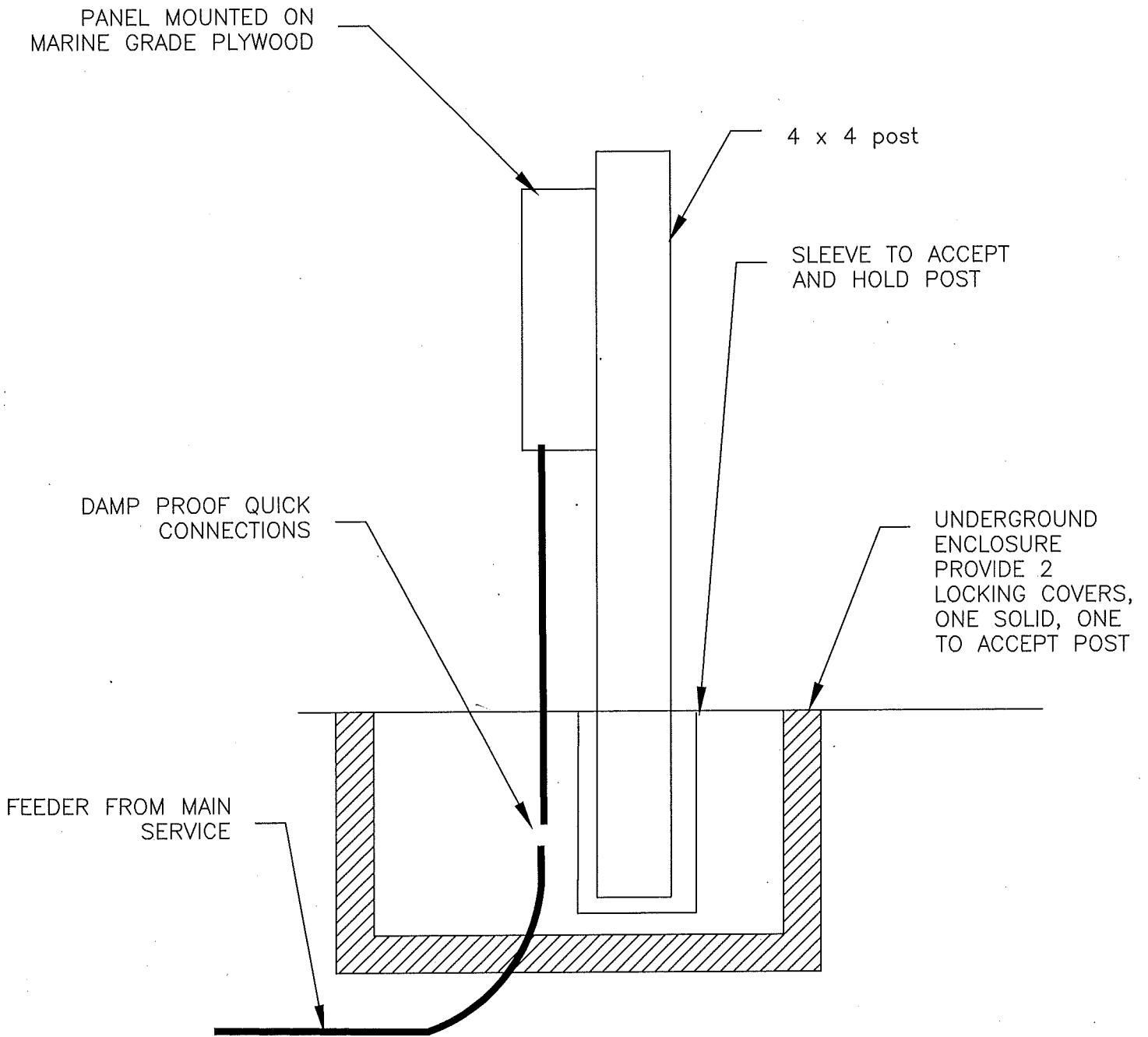
Please feel free to contact Leonard Linton at 763 433-9834 or Tim Himmer at 763 433-9893 with questions.

Enc. Site Map, Side View of panel and vault, Panel Diagram, cut sheets for vaults.

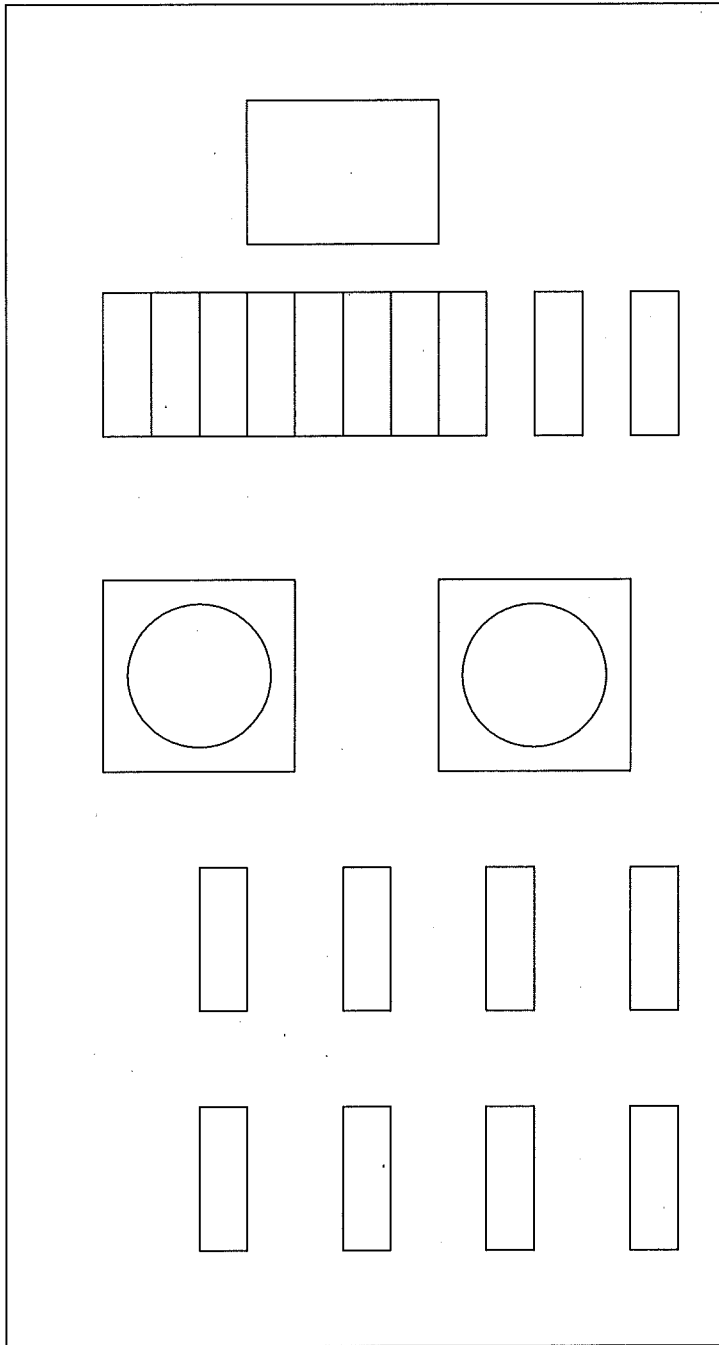
RAMSEY HAPPY DAYS ELECTRICAL SERVICE



SIDE VIEW OF ELECTRIC SERVICE



CIRCUIT PANEL



2 POLE 200 A MAIN CB X1

1POLE 20 AMP CB X 8
2 POLE 50 AMP CB X 2

CAM LOCK 50 AMP, 125/250 V
(CS 6375)

NEMA S-20R GFI W/ COVER X 4

NEMA S-20R GFI W/ COVER X 4

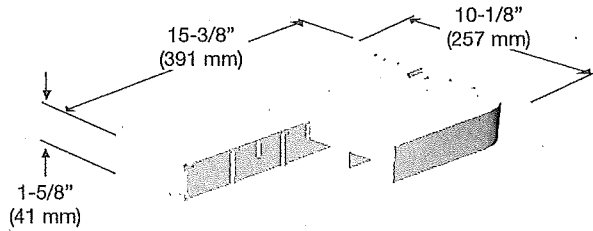
MOUNT ON MARINE GRADE PLYWOOD AND
AFFIX TO POST.



SPECIFIED AND PREFERRED WORLDWIDE

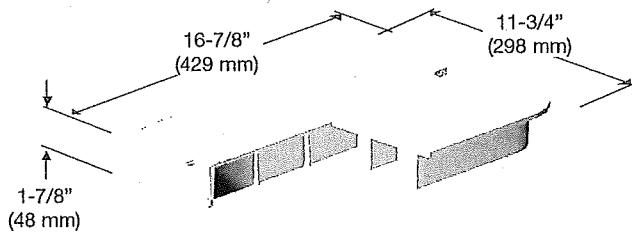
Pomona, California
 Toll-Free: 800.735.5566
 Phone: 909.634.3020
 Fax: 800.827.7111

Light Duty



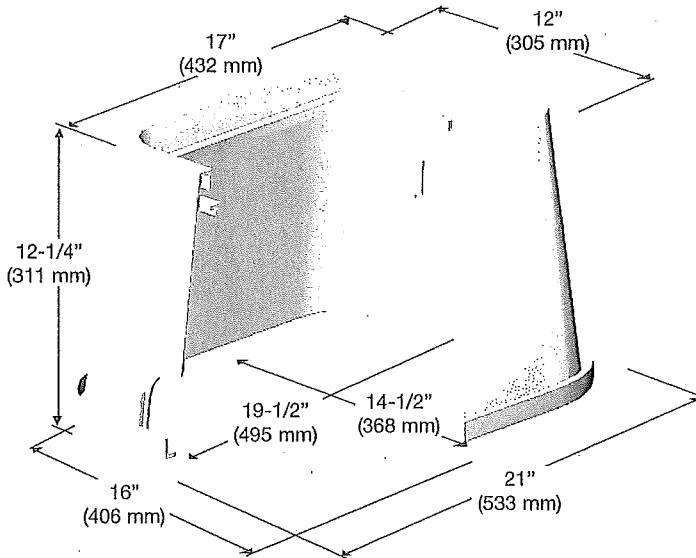
Flush Cover

Material: HDPE
 Weight: 3.0 lbs.
 Model: 1419-3 No Bolt
 1419-3B Bolt Down
 See *OPTION SECTION*:
 - Hinged Cover



T-Cover

Material: HDPE
 Weight: 3.0 lbs.
 Model: 1419-4 No Bolt
 1419-4B Bolt Down
 See *OPTION SECTION*:
 - Meter reader cover



Body

Material: HDPE
 Weight: 7.0 lbs.
 Model: 1419-12
 See *OPTION SECTION*:
 - Slots

Colors Available

Green, Gray, Black, Tan or Violet

Note: For use in non-vehicular traffic situations only. We do not recommend installation in concrete or asphalt. Weights and dimensions may vary slightly.

Light Duty

Static Vertical Load Rating (Design Load; Test Load)

- ASTM C857 – A-0.3, 300 lbf/ft²;
Report Ultimate
- SCTE – Light Duty, Pedestrian;
3,000 lbf

Shipping Configuration

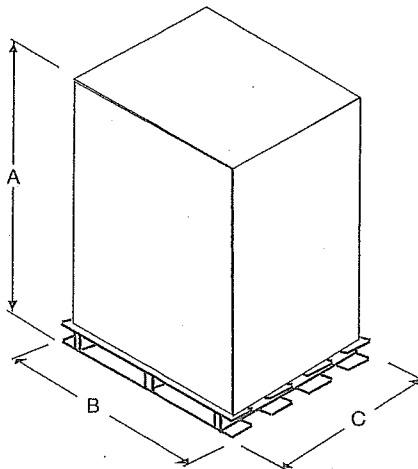
- Unit, 78 assemblies,
= 58.5 cu. ft., 860.0 lbs.

Note: For use in non-vehicular traffic situations only. We do not recommend installation in concrete or asphalt. Weights and dimensions may vary slightly.

Material Property	ASTM Test Method	Typical Value ¹
Type, Class, Category	D 1248	III, A, 3
Density, g/cm ³	D 1505	0.950 min., not to exceed 0.965
Tensile Strength, at break, psi	D 638	3,000 to 4,400
Elongation, at break, %	D 638	400
Tensile Impact, ft-lb/in ²	D 1822	27
Flexural Modulus, psi	D 790	120,000 min., not to exceed 240,000
Low Temperature Brittleness, F50, at °C	D 746	<-76
Hardness, Shore D	D 2240	66
Deflection Temperature, at 66 psi, °F	D 648	150 ⁰ min., not to exceed 200 ⁰
Electrical Dielectric Strength, V/mil	D 149	400 min., not to exceed 600
Molded Product²		
Chemical Resistance	D 543	Very Resistant
Water Absorption	D 570	Less than 1% weight change

¹The values listed for physical property measurements are nominal values only. Certain physical property measurements are subject to variations consistent with the test methods and are within a generally accepted range for such values.
²Test reports available on request.

Shipping Information



UNIT			FLUSH COVER			T-COVER		
Dim.	Description	Value	Dim.	Description	Value	Dim.	Description	Value
A	Height	53"	A	Height	50"	A	Height	56"
B	Length	40"	B	Length	40"	B	Length	40"
C	Width	48"	C	Width	48"	C	Width	48"

Units: 78 per pallet
Weight: 820 lbs. per pallet

Units: 250 per pallet
Weight: 790 lbs. per pallet

Units: 250 per pallet
Weight: 790 lbs. per pallet

BODY		
Dim.	Description	Value
A	Height	53"
B	Length	40"
C	Width	48"

Units: 78 per pallet
Weight: 586 lbs. per pallet

All information contained in this brochure was current at the time of printing. Because of Oldcastle Precast's policy of ongoing research and development, the Company reserves the right to discontinue or update product information without notice.