

Certified Drawing for CH-1

Project: Parallel Technologies
Prepared By: Kevin Kerrigan

09/27/2012
11:58AM

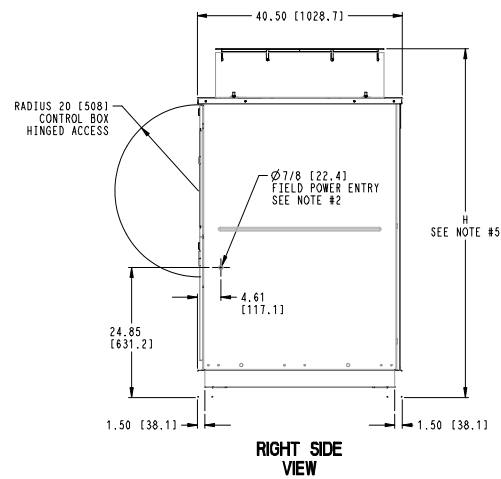
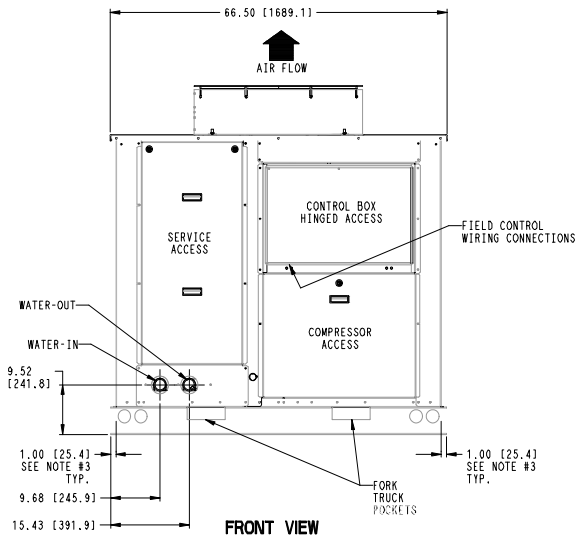
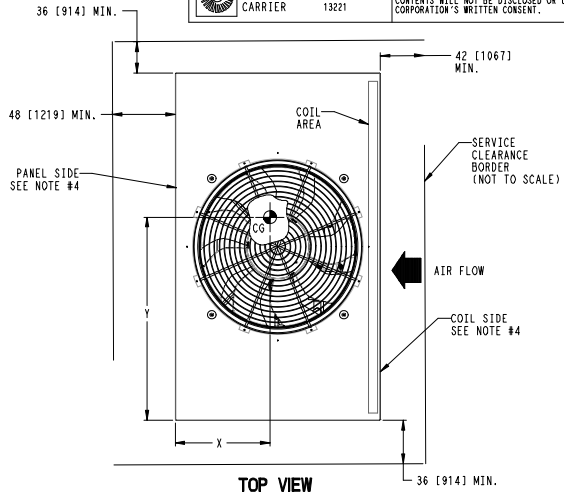
	UNIT	CENTER OF GRAVITY		UNIT HEIGHT		VICIAULIC CONNECTIONS
		X	Y	H (STANDARD)	H (VALUE SOUND)	
STANDARD	30RA010	18.40 [467]	37.80 [960]	66.5 [1689]	61.0 [1549]	2"
	30RA015	18.35 [466]	37.69 [957]	66.5 [1689]	61.0 [1549]	2"

UNITED TECHNOLOGIES CARRIER
 P.O. BOX 4800 SYRACUSE, NY 13221
 THIS DOCUMENT IS THE PROPERTY OF CARRIER CORPORATION AND IS DELIVERED UPON THE EXPRESS CONDITION THAT THE CONTENTS WILL NOT BE DISCLOSED OR USED WITHOUT CARRIER CORPORATION'S WRITTEN CONSENT.
 SUBMISSION OF THESE DRAWINGS OR DOCUMENTS DOES NOT CONSTITUTE PART PERFORMANCE OR ACCEPTANCE OF CONTRACT.

NOTES:

1. DO NOT CAP OR OTHERWISE OBSTRUCT THE LIQUID LINE TEMPERATURE RELIEF.
2. $\varnothing 7/8$ [22.4] PILOT HOLE PROVIDED FOR LOCATING FIELD POWER WIRING. ACTUAL HOLE REQUIRED DEPENDS ON FIELD WIRE SIZING.
3. $\varnothing 0.437$ [11.10] HOLE USED FOR MOUNTING UNIT.
4. UNIT MUST HAVE CLEARANCES AS FOLLOWS:
TOP - DO NOT RESTRICT.
COIL SIDE - 42 [1067] FROM SOLID SURFACE.
PANEL SIDE - 48 [1219] PER NEC.
5. SEE TABLE COLUMN H; DIMENSION FOR STANDARD FAN OR VALUE SOUND FAN OPTION.
6. CARRIER DOES NOT RECOMMEND INSTALLATION IN A PIT.
7. UNIT CAN BE HANDLED USING THE FORK TRUCK LIFT POCKETS.
8. WATER CONNECTIONS RECESSED 2-3/8 INCHES INSIDE UNIT.

DIMENSIONS IN () ARE IN MILLIMETERS



DATE	SUPERCEDES	UNIT ASSY	30RA555554	REV
08/20/09	-			1.5

Certified Drawing for CH-1A

Project: Parallel Technologies
Prepared By: Kevin Kerrigan

09/27/2012
11:58AM

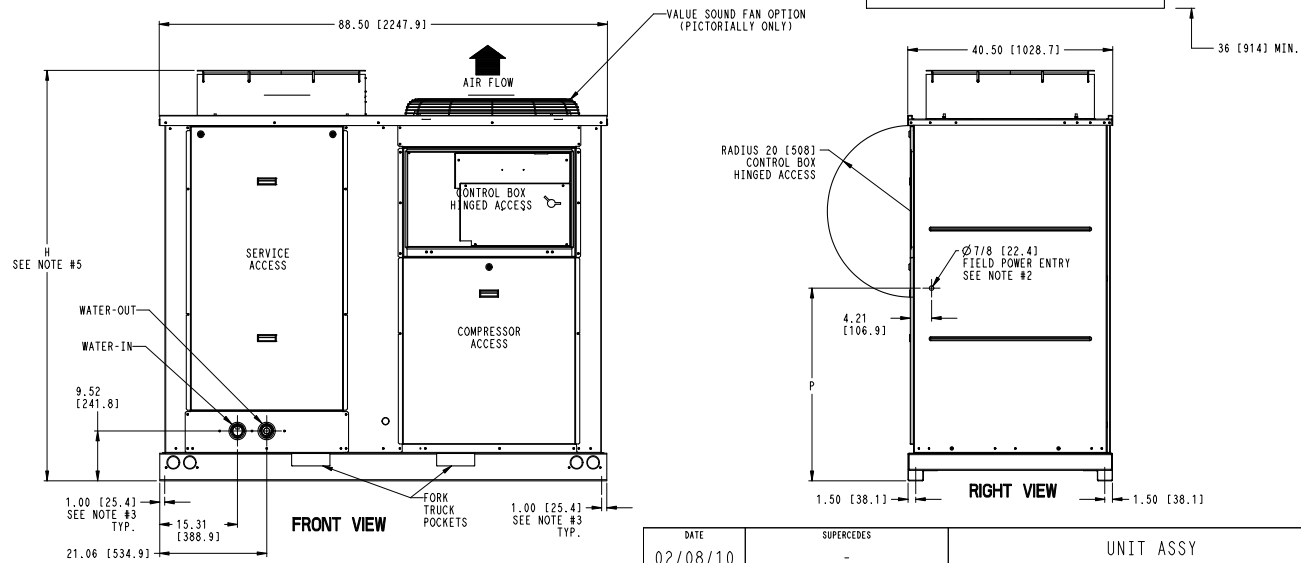
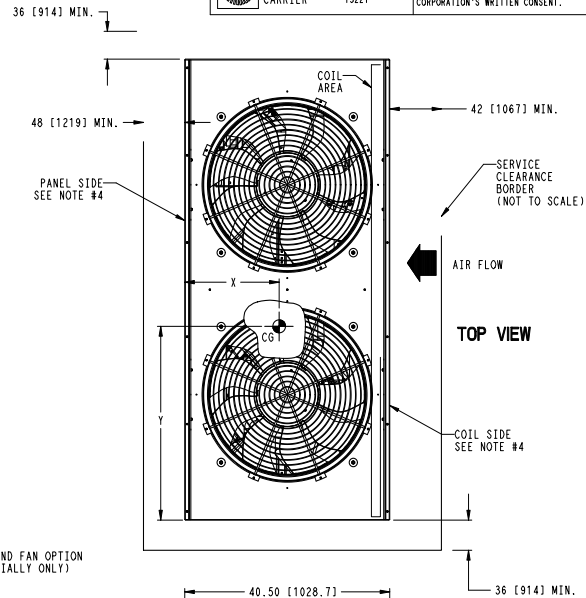
UNIT	CENTER OF GRAVITY		UNIT HEIGHT		POWER ENTRY	VICTAULIC CONNECTIONS
	X	Y	H (STANDARD)	H (VALUE SOUND)		
30RA018	18.37 [467]	38.77 [985]	66.5 [1689]	61.0 [1549]	24.9 [631]	2"
30RA020	18.38 [467]	38.79 [985]	66.5 [1689]	61.0 [1549]	24.9 [631]	2"
30RA025	18.58 [472]	38.93 [989]	78.5 [1994]	73.0 [1854]	36.9 [936]	2"
30RA030	18.59 [472]	38.98 [990]	78.5 [1994]	73.0 [1854]	36.9 [936]	2"

UNITED TECHNOLOGIES CARRIER P.O. BOX 4808 SYRACUSE, NY 13221
 THIS DOCUMENT IS THE PROPERTY OF CARRIER CORPORATION AND IS DELIVERED UPON THE EXPRESS CONDITION THAT THE CONTENTS WILL NOT BE DISCLOSED OR USED WITHOUT CARRIER CORPORATION'S WRITTEN CONSENT. SUBMISSION OF THESE DRAWINGS OR DOCUMENTS DOES NOT CONSTITUTE PART PERFORMANCE OR ACCEPTANCE OF CONTRACT.

NOTES:

1. DO NOT CAP OR OTHERWISE OBSTRUCT THE LIQUID LINE TEMPERATURE RELIEF.
2. $\varnothing 7/8$ [22.4] PILOT HOLE PROVIDED FOR LOCATING FIELD POWER WIRING. ACTUAL HOLE REQUIRED DEPENDS ON FIELD WIRE SIZING.
3. $\varnothing 0.437$ [11.10] HOLE USED FOR MOUNTING UNIT.
4. UNIT MUST HAVE CLEARANCES AS FOLLOWS:
TOP - DO NOT RESTRICT.
COIL SIDE - 42 [1067] FROM SOLID SURFACE.
PANEL SIDE - 48 [1219] PER NEC.
5. SEE TABLE COLUMN H; DIMENSION FOR STANDARD FAN OR VALUE SOUND FAN OPTION.
6. CARRIER DOES NOT RECOMMEND INSTALLATION IN A PIT.
7. UNIT CAN BE HANDLED USING THE FORK TRUCK LIFT POCKETS.
8. WATER CONNECTIONS RECESSED 2-3/8 INCHES INSIDE UNIT.

DIMENSIONS IN [] ARE IN MILLIMETERS



DATE	SUPERCEDES	UNIT ASSY	30RA55555	REV
02/08/10	-			B. 3