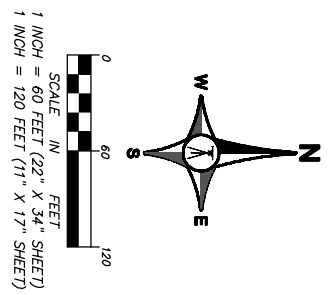
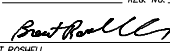


Mn DNR WETLAND  
2-328W  
DHW 870.324



**MAP 1**

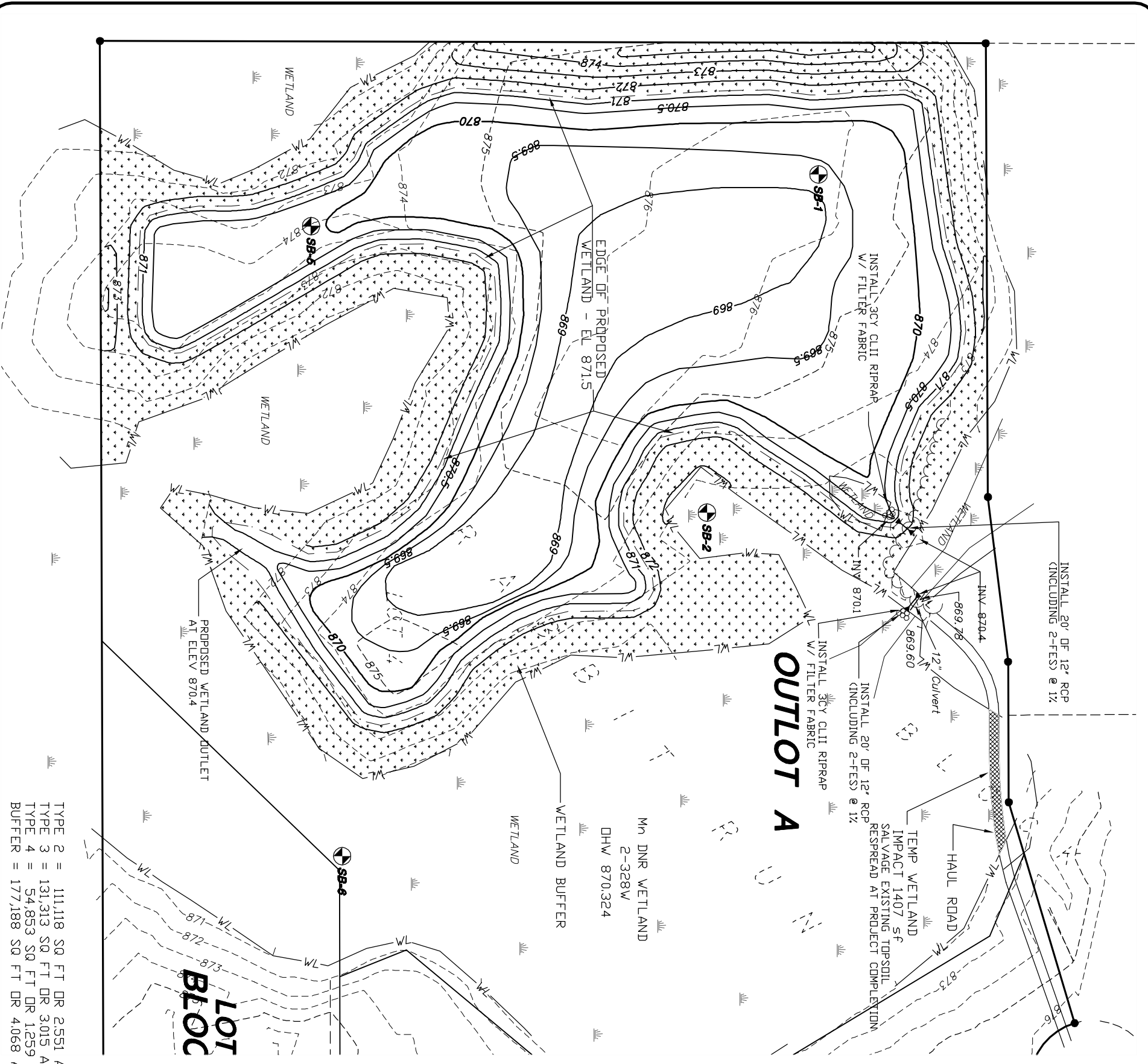
DRAWN	BTR/PAD	<small>I HEREBY CERTIFY THAT THIS PLAN, SPECIFICATION, OR REPORT WAS PREPARED BY ME OR UNDER MY DIRECT SUPERVISION AND THAT I AM A DULY LICENSED PROFESSIONAL ENGINEER UNDER THE LAWS OF THE STATE OF MINNESOTA.</small>
DATE	2/15/12	
SCALE	1"=60'	
PROJECT	523-09	
CHECKED	BTR	
APPROVED	BTR	DATE 5/29/12 REG. NO. 24019  BRENT ROSNELL

**ELMCREST SANCTUARY**  
EXISTING CONDITIONS PLAN  
RAMSEY, MINNESOTA

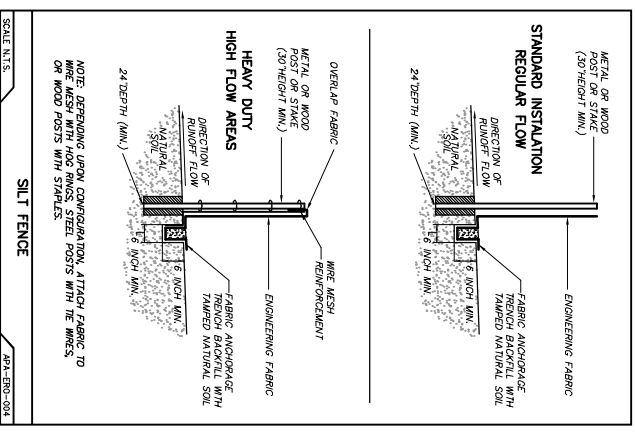
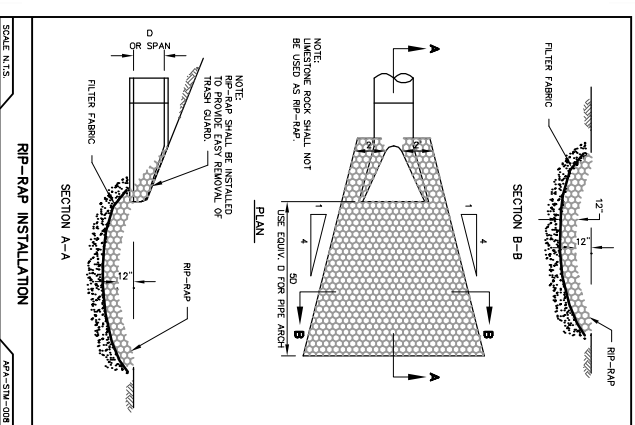
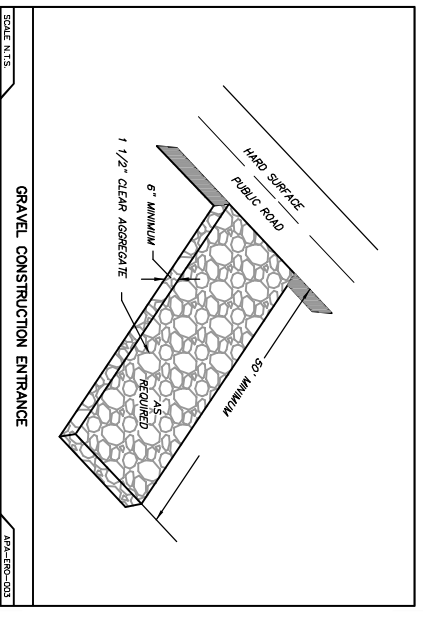
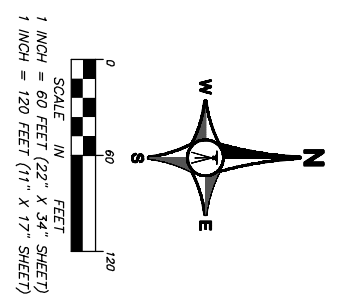
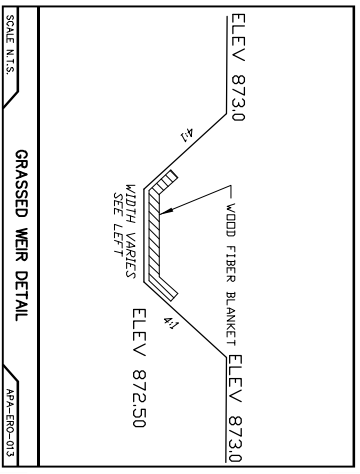
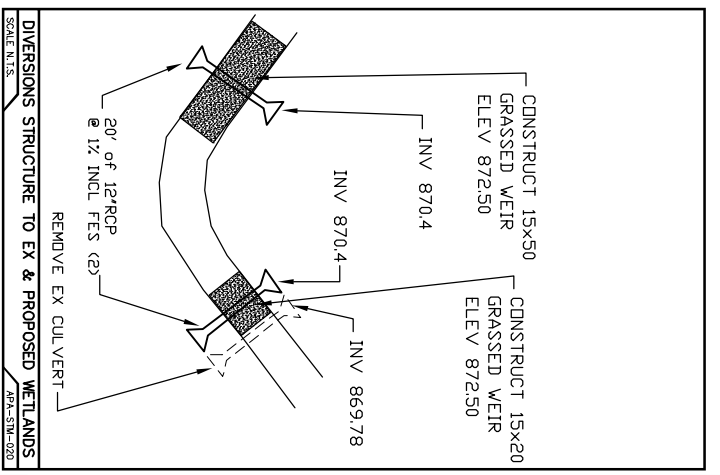


DATE	REVISIONS	BY

RECORD DRAWING



TYPE 2 = 111,118 SQ FT DR 2.551 ACRES  
 TYPE 3 = 131,313 SQ FT DR 3.015 ACRES  
 TYPE 4 = 54,853 SQ FT DR 1.259 ACRES  
 BUFFER = 177,188 SQ FT DR 4.068 ACRES



**MAP 2**  
 DRAWN: BTR/PJD  
 DATE: 2/15/12  
 SCALE: 1"=60'  
 PROJECT: 523-09  
 CHECKED: BTR  
 APPROVED: BTR

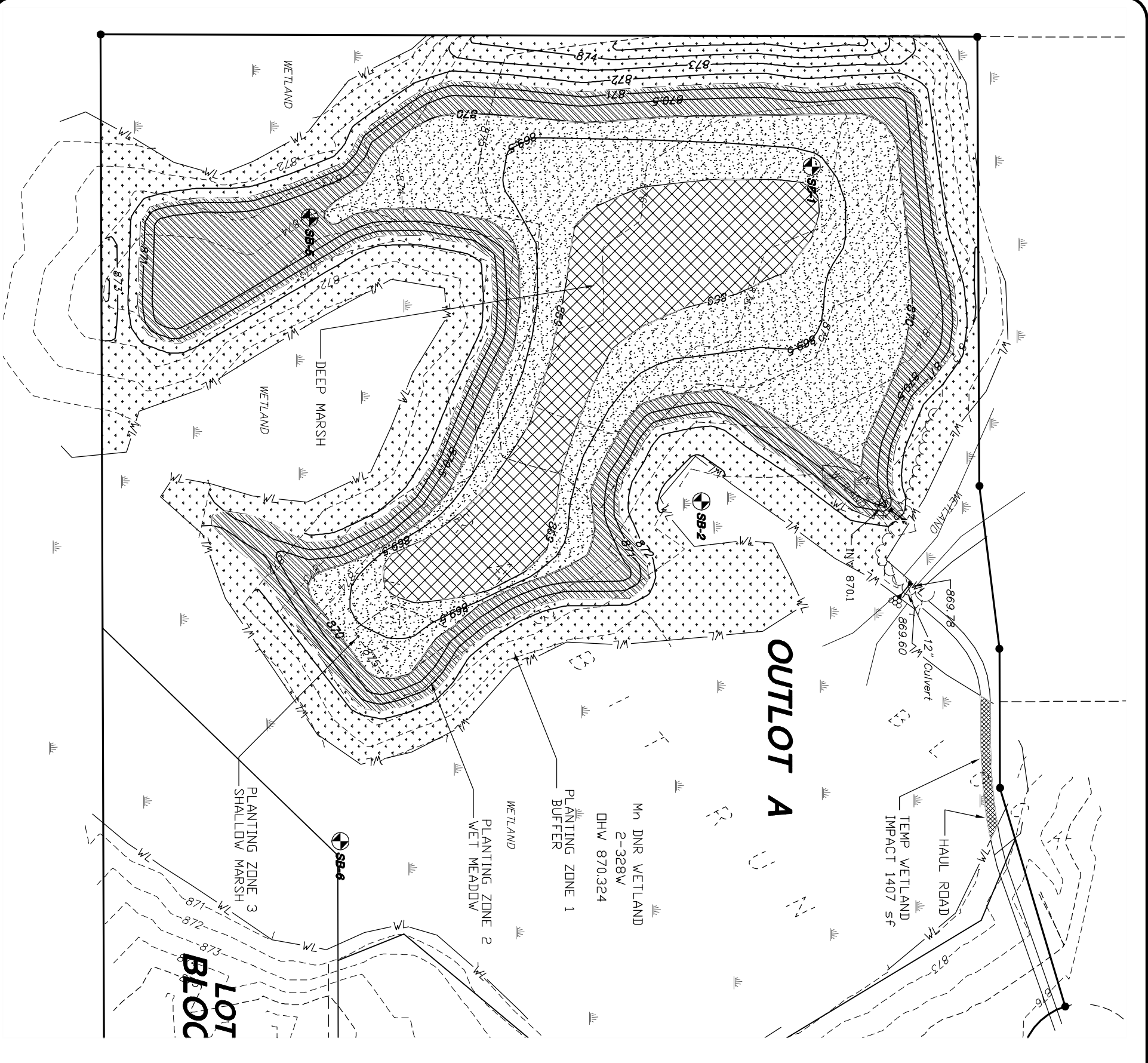
I HEREBY CERTIFY THAT THIS PLAN, SPECIFICATION, OR REPORT WAS PREPARED BY ME OR UNDER MY DIRECT SUPERVISION AND THAT I AM A DULY LICENSED PROFESSIONAL ENGINEER UNDER THE LAWS OF THE STATE OF MINNESOTA.  
 DATE: 5/29/12 REG. NO. 24019  
 BRENT ROSHELL

**ELMCREST SANCTUARY**  
**WETLAND CONSTRUCTION PLAN**  
 RAMSEY, MINNESOTA



DATE	REVISIONS	BY

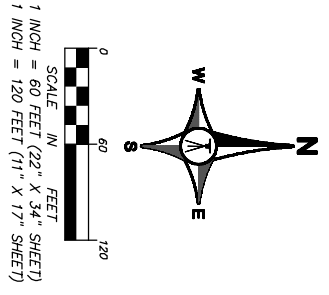
RECORD DRAWING



**OUTLOT A**

**LOT BLOC**

PLANTING ZONE 1 BUFFER	4.07 AC	ABOVE ELEV 871.5
PLANTING ZONE 2 WET MEADOW	2.55 AC	ELEV 870.5 to 871.5
PLANTING ZONE 3 SHALLOW MARSH	3.02 AC	ELEV 869.0 to 870.5
PLANTING ZONE 4 DEEP MARSH	1.26 AC	BELOW ELEV 869.0



**MAP 3**

DRAWN	BTR/PJD	I HEREBY CERTIFY THAT THIS PLAN, SPECIFICATION, OR REPORT WAS PREPARED BY ME OR UNDER MY DIRECT SUPERVISION AND THAT I AM A DULY LICENSED PROFESSIONAL ENGINEER UNDER THE LAWS OF THE STATE OF MINNESOTA.
DATE	2/15/12	
SCALE	1"=60'	
PROJECT	523-09	
CHECKED	BTR	
APPROVED	BTR	DATE 5/29/12 REG. NO. 24019  BRENT ROSWELL

**ELMCREST SANCTUARY**  
 END USE PLAN  
 RAMSEY, MINNESOTA

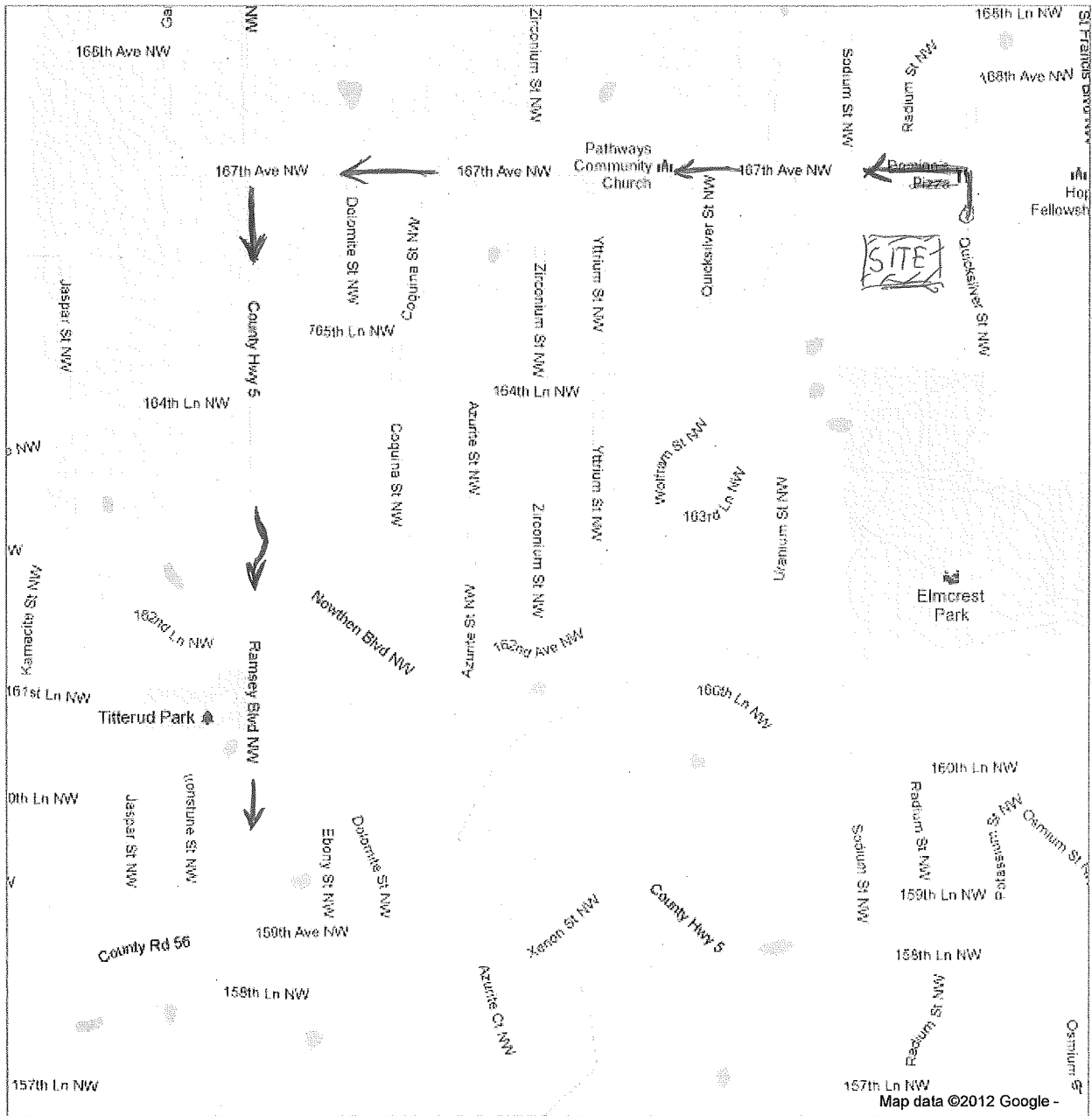


DATE	REVISIONS	BY

RECORD DRAWING

Google

To see all the details that are visible on the screen, use the "Print" link next to the map.



MAP 4