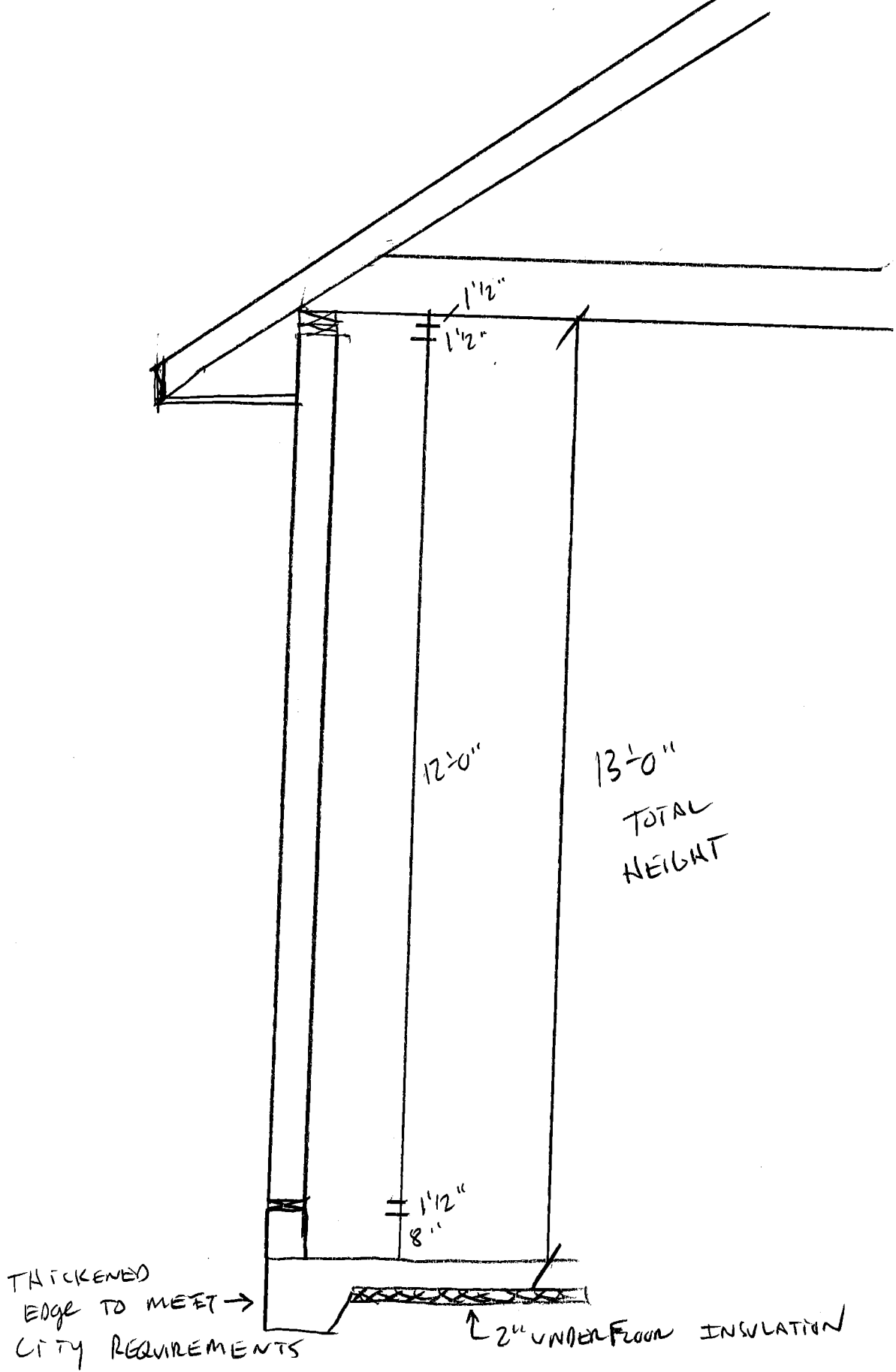


MEAN HEIGHT  
OF GARAGE  
19'-8"

Siding  
TO MATCH  
HOUSE ON  
ALL SIDES

STONE TO  
MATCH FRONT  
of THE HOUSE

FRONT ELEVATION 1/8" SCALE



TYPICAL WALL SECTION 1/2" SCALE