

**PARCEL DESCRIPTION:**  
(Per Title Commitment LT File No. 569198)  
All that part of Outlot B, RAMSEY TOWN CENTER 2ND ADDITION, Anoka County, Minnesota which lies easterly of the easterly line of Block 1, RAMSEY TOWN CENTER 7TH ADDITION, and its southerly extension.

(Abstract Property)

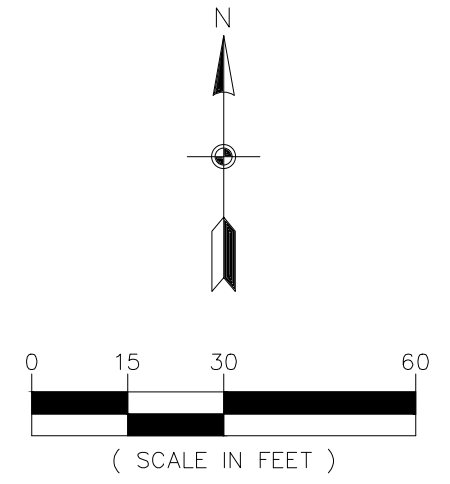
**GENERAL NOTES:**

- The field work for this survey was completed on May 7, 2018.
- Bearings shown are based on the North line of Outlot B, RAMSEY TOWN CENTER 2ND ADDITION, according to the recorded plat thereof, Anoka County, Minnesota, which is assumed to bear S89°42'54"E.
- Surveyed property address - unassigned, Ramsey, MN.
- Above ground utilities have been field located as shown. All underground locations shown hereon are APPROXIMATE. Prior to any excavations or digging, contact Gopher State One Call for an on-site location (651-454-0002).

- LEGEND**
- - Denotes Found Iron Monument or chiseled "X", as noted
  - - Denotes 5/8 inch by 14 inch rebar, marked with RLS 40361, or PK Nail as noted
  - ⊙ - Denotes Light Pole
  - ⊙ - Denotes Sanitary Manhole
  - ⊙ - Denotes Miscellaneous Sign
  - ⊙ - Denotes Existing Spot Elevation
  - ⊙ - Denotes Existing Tree
  - ⊙ - Denotes Fire Hydrant
  - ⊙ - Denotes Gate Valve
  - ⊙ - Denotes Catch Basin
  - ⊙ - Denotes Telephone Box
  - ⊙ - Denotes Hand Hole
  - ⊙ - Denotes Miscellaneous Manhole
  - ⊙ - Denotes Storm Manhole
  - ⊙ - Denotes Underground Telephone
  - ⊙ - Denotes Underground Television
  - ⊙ - Denotes Watermain
  - ⊙ - Denotes Sanitary Sewer
  - ⊙ - Denotes Underground Gas
  - ⊙ - Denotes Storm Sewer
  - ⊙ - Denotes Controlled Access shown on the plat of RAMSEY TOWN CENTER 2ND ADDITION
  - ⊙ - Denotes Existing Fence as noted
  - ⊙ - Denotes Concrete Surface
  - ⊙ - Denotes Bituminous Surface
  - ⊙ - Denotes Existing Contour

**BENCHMARK**

- Minnesota Department of Transportation Geodetic Monument named 0202 B (SSD Station #33781) Elev. = 865.02 (NAVD 88)
- Minnesota Department of Transportation Geodetic Monument named HYATT MNDT (SSD Station #808) Elev. = 878.97 (NAVD 88)



**Carlson McCain**

- environmental
- engineering
- surveying

3890 Pheasant Ridge Drive NE,  
Suite 100  
Blaine, MN 55449  
Phone: (763) 489-7900  
Fax: (763) 489-7959  
www.carlsonmccain.com

I hereby certify that this plan, specification or report was prepared by me or under my direct supervision and that I am a duly Licensed Land Surveyor under the laws of the State of Minnesota

Print Name: Thomas R. Balluff, L.S.  
Signature: Thomas R. Balluff  
Date: 5/08/2018 License #: 40361

DRAWN BY: KCM  
ISSUE DATE: 5/08/18  
FILE NO: 1342

Revisions:

**CENTRA HOMES, LLC**  
11460 Robinson Drive N.W.  
Minneapolis, MN 55433

**COTTAGES AT THE COR**  
Ramsey, Minnesota

**EXISTING CONDITIONS**

2 of 6