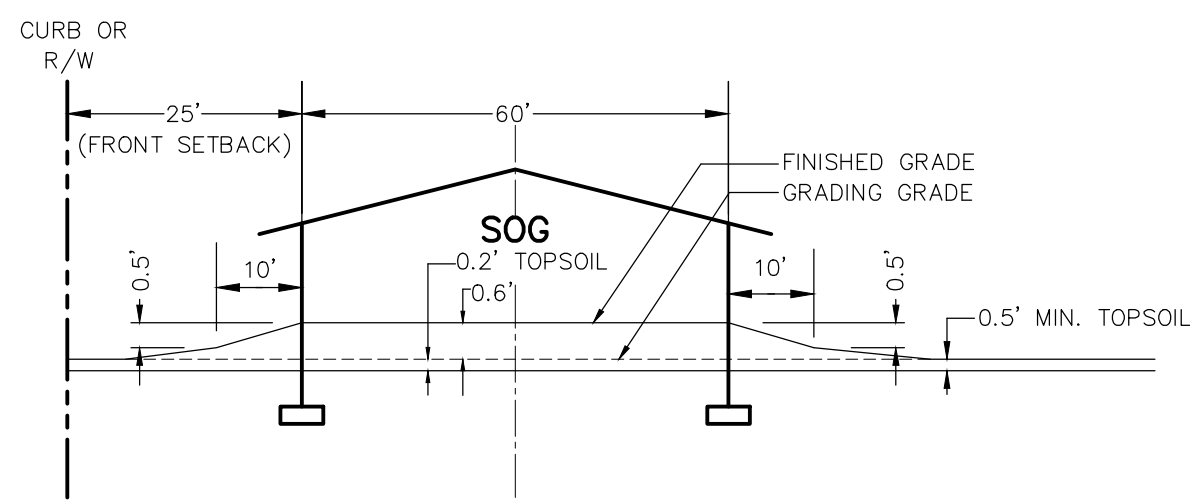
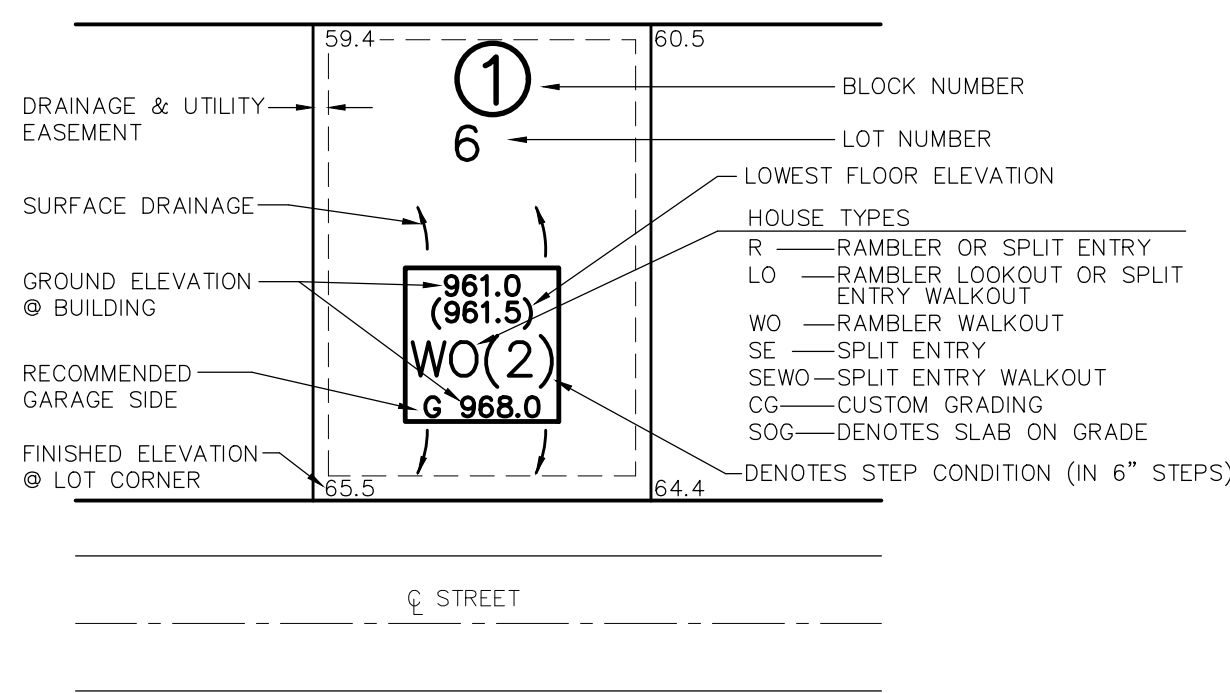


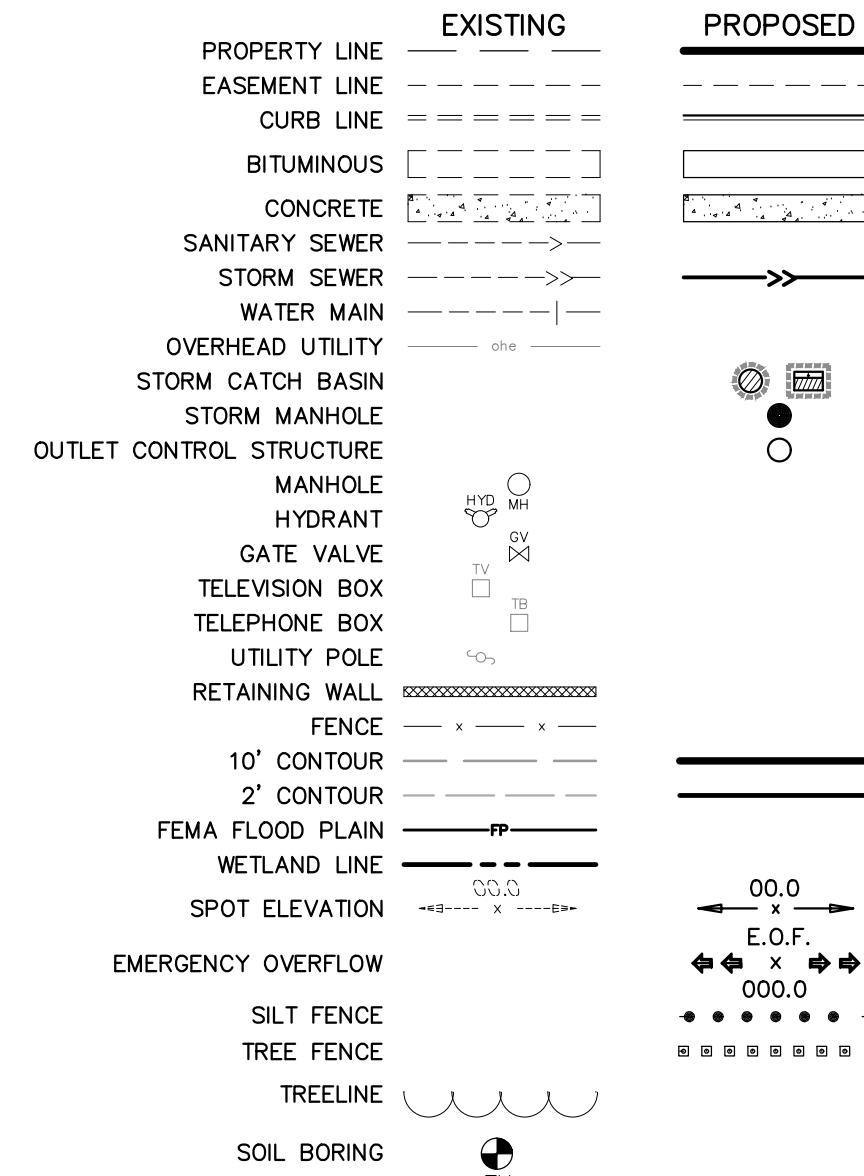
### HOLDOWNS DETAILS



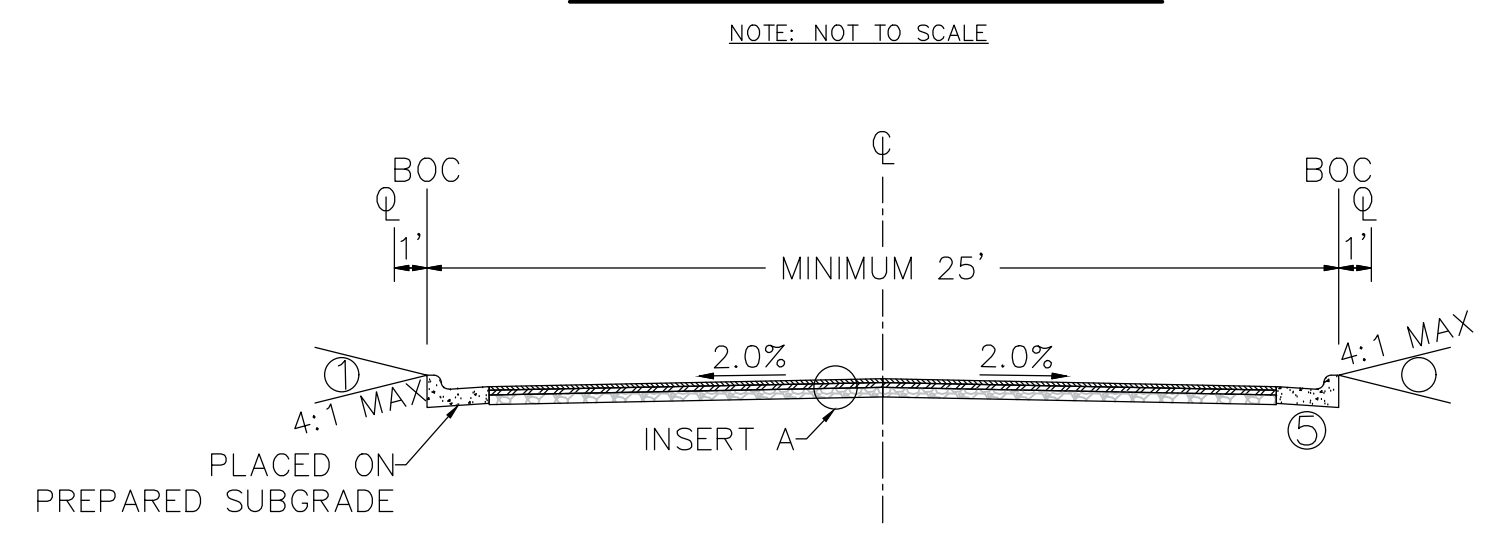
### GRADING PLAN LOT KEY



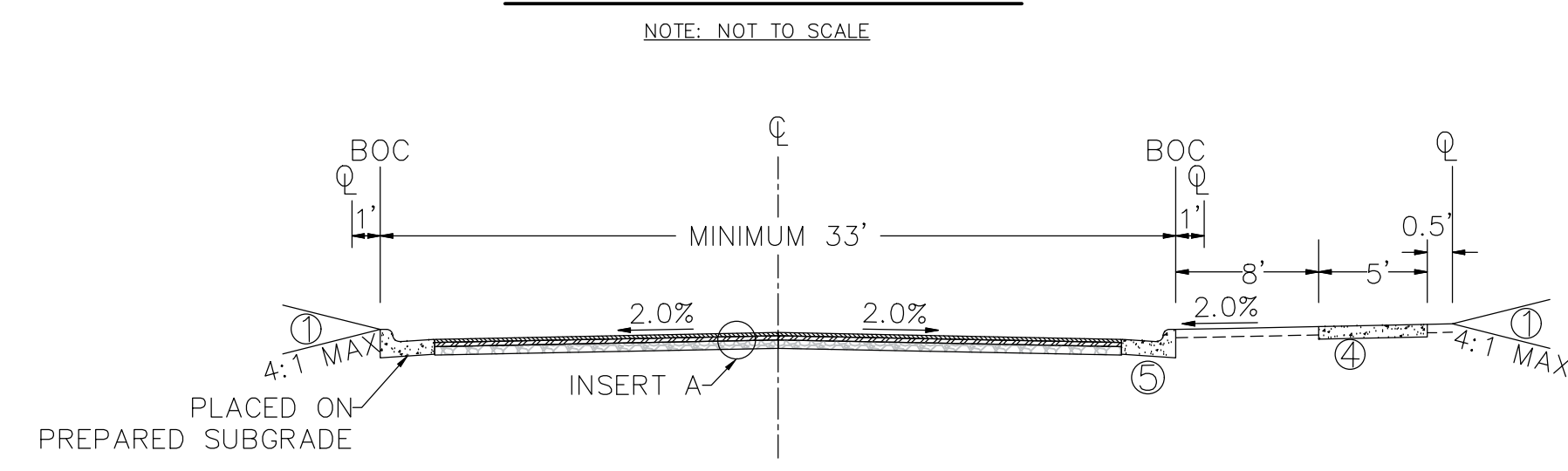
### LEGEND



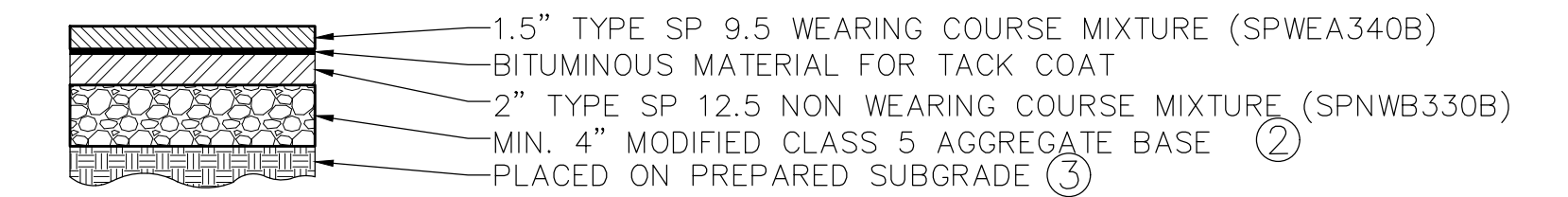
### 25' - PRIVATE STREET



### 33' - PRIVATE STREET



### INSERT A:



### REFERENCE NOTES:

- GRADE TO MATCH EXISTING SURFACE MINIMUM 4" COMMON TOPSOIL BORROW IN BOULEVARDS. SEE CITY PLATE No. ERO-6
- CLASS 5 GRADATION IS MODIFIED PER CITY PLATE No. STR-26
- CONTRACTOR SHALL SCARIFY AND COMPACT, ACCORDING TO THE SPECIFIED DENSITY METHOD, THE TOP 12 INCHES OF MATERIAL PRIOR TO PLACING ANY FILL MATERIALS OR CLASS 5 AGGREGATE BASE.
- ALL SIDEWALKS SHALL BE 6" THICK, PLACED ON PREPARED SUBGRADE.
- CONCRETE CURB AND GUTTER PER PLAN. SEE CITY PLATE No. STR-1.

### TABLE A MODIFIED CLASS 5 SPECIFICATIONS

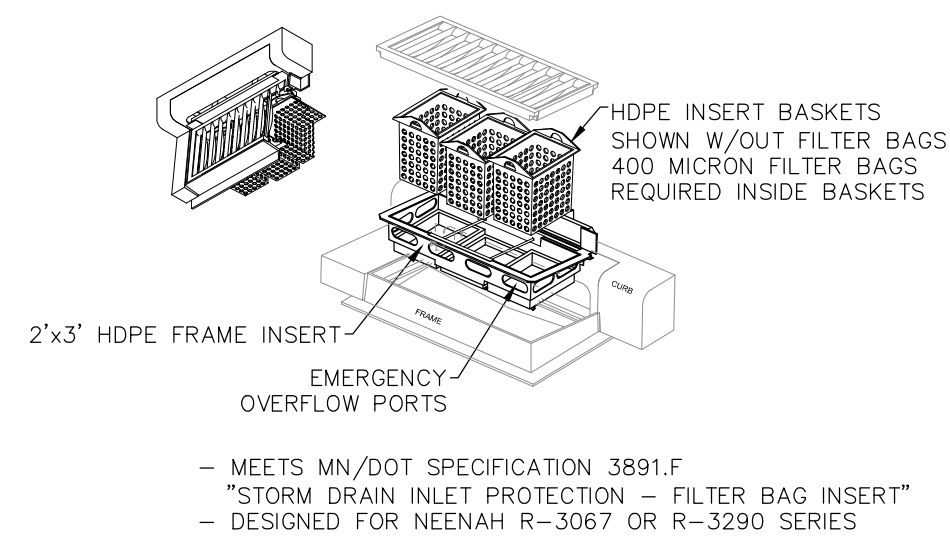
	% PASSING
1"	100
3/4"	90 - 100
3/8"	50 - 80
No.4	35 - 70
No.10	20 - 60
No.40	10 - 35
No.200	5 - 10

NOTES:  
1. THE AGGREGATE BASE CONSTRUCTION WILL BE ACCEPTED FOR PAYMENT IN ACCORDANCE WITH THE PROVISIONS IN TABLE A.  
2. IF THE AGGREGATE BASE FAILS TO MEET THE REQUIREMENTS OF TABLE A THE MATERIAL CAN BE CORRECTED IN PLACE OR REMOVED AND REPLACED WITH MATERIAL THAT MEETS THE REQUIREMENTS OF TABLE A.  
3. IN THE EVENT THAT RECYCLED MATERIAL IS USED IT MUST MEET MNDOT REQUIREMENTS FOR RECYCLED BASE.

APPROVED:  
2 - 2003  
City of RAMSEY  
STANDARD DETAILS:  
MODIFIED CLASS 5  
SPECIFICATIONS  
CITY PLATE No. STR-26

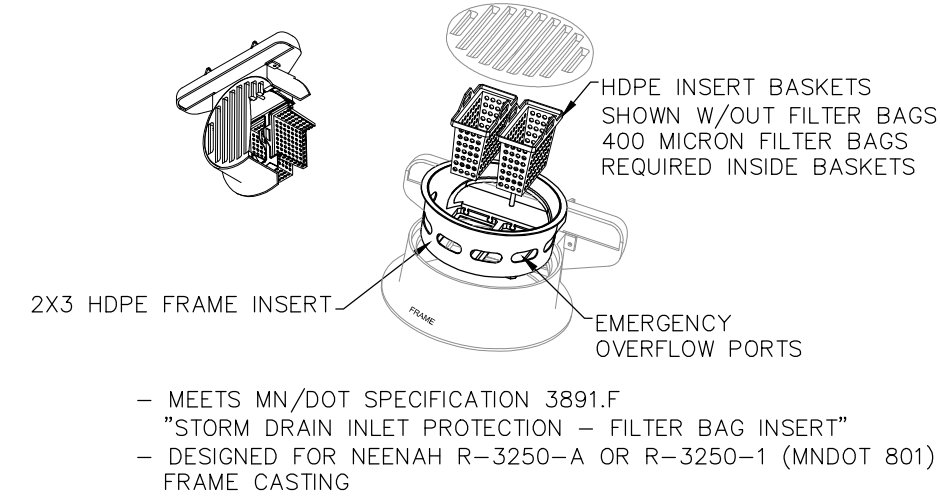
### INFRA SAFE - 2'x3' DEBRIS COLLECTION DEVICE

AS MANUFACTURED BY ROYAL ENVIRONMENTAL SYSTEMS

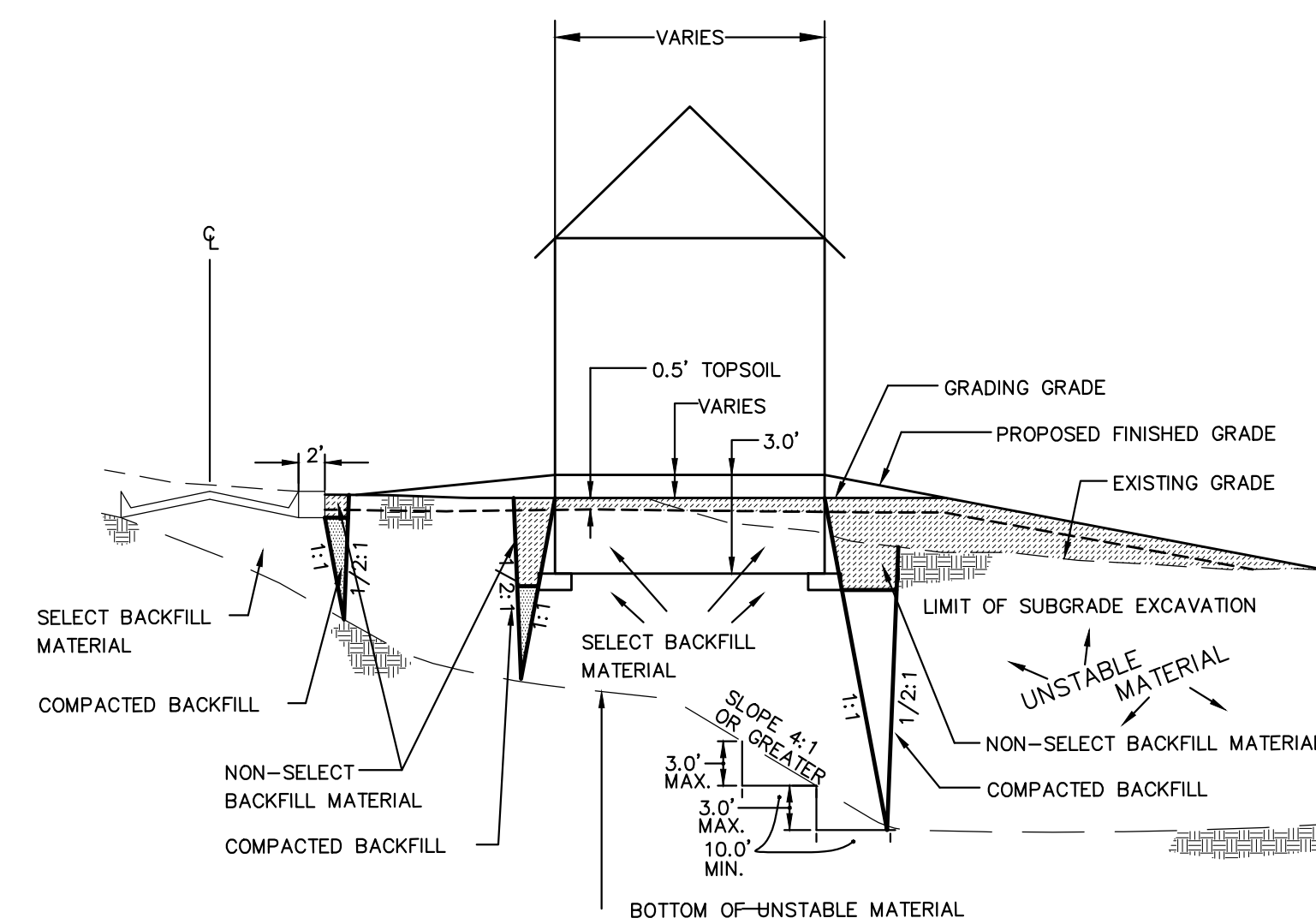


### INFRA SAFE - 27" DEBRIS COLLECTION DEVICE

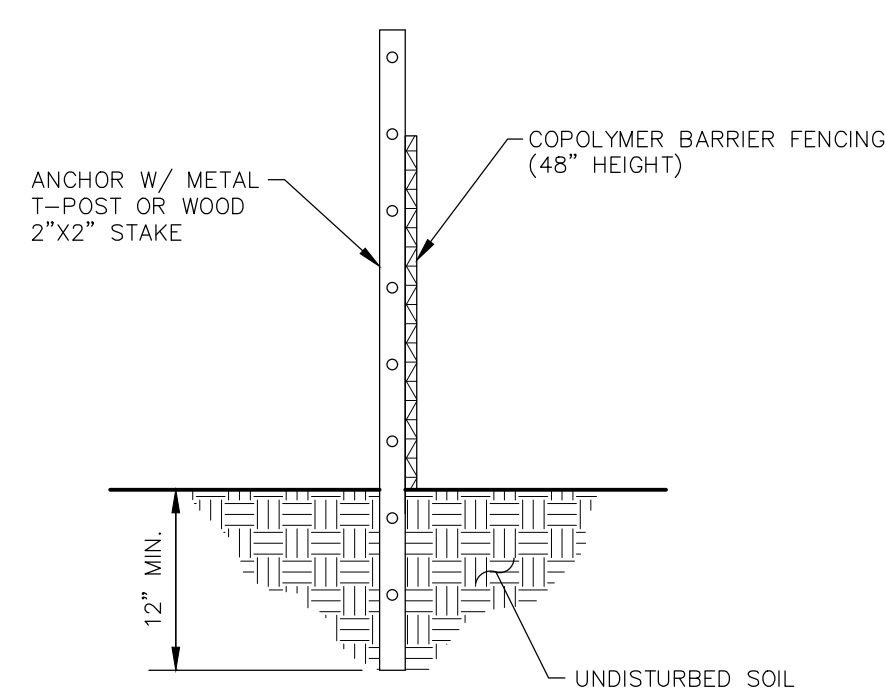
AS MANUFACTURED BY ROYAL ENVIRONMENTAL SERVICES



### SUBGRADE CORRECTION



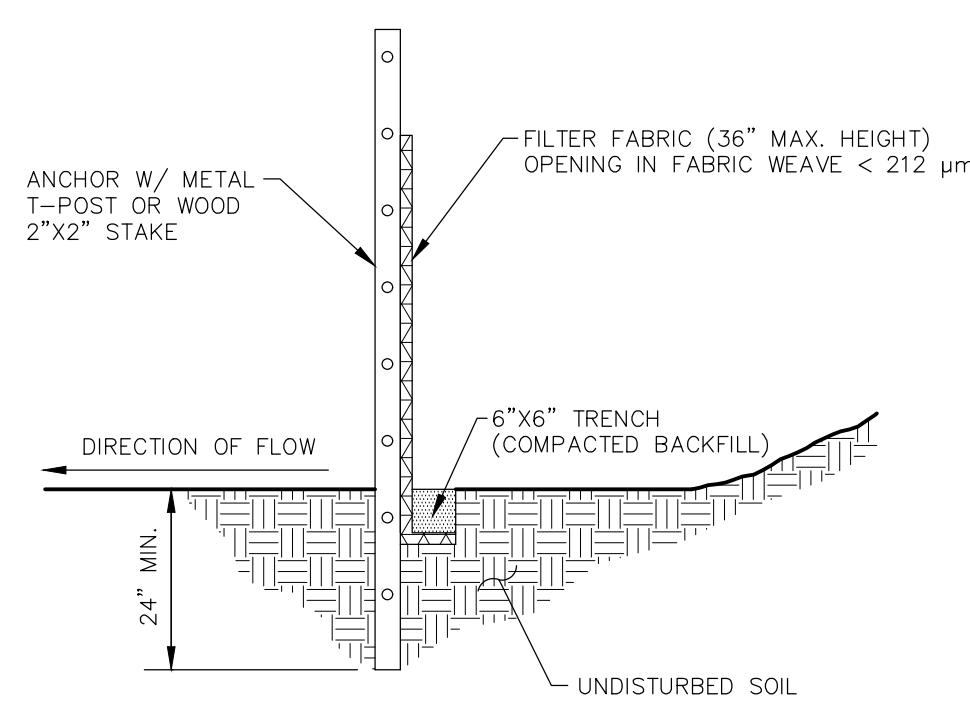
### TREE FENCE



### NOTES:

- TREE FENCING SHALL BE PLACED A MINIMUM OF 1 FOOT PER CALIPER INCH OF TREE DIAMETER FROM TREE(S) THAT IS/ARE TO BE SAVED.
- ANCHOR POST MAY BE SPACED UP TO 10 FEET APART.
- SECURELY ATTACH TREE FENCE TO ANCHOR POSTS W/ MINIMUM OF TWO ATTACHMENTS PER POST.
- SEE MNDOT SPECIFICATION 2572.

### SILT FENCE



### NOTES:

- DIG A 6"X6" TRENCH ALONG THE INTENDED SILT FENCE LINE.
- DRIVE ALL ANCHOR POSTS INTO THE GROUND AT THE DOWNHILL SIDE OF THE TRENCH.
- POSTS SHALL BE SPACED A MAXIMUM OF 6 FEET APART.
- LAY OUT SILT FENCE ALONG THE UPHILL SIDE OF THE ANCHOR POSTS AND BACK FILL 6"X6" TRENCH.
- SECURELY ATTACH SILT FENCE TO ANCHOR POSTS W/ MINIMUM OF THREE ATTACHMENTS PER POST.
- SEE MNDOT SPECIFICATIONS 2573 & 3886.

### TURF ESTABLISHMENT

TURF ESTABLISHMENT SHALL APPLY TO ALL DISTURBED AREAS AND SHALL BE ACCORDING TO MNDOT STANDARD SPECIFICATIONS FOR CONSTRUCTION (LATEST EDITION) EXCEPT AS MODIFIED BELOW.

TURF ESTABLISHMENT SHALL OCCUR AS SOON AS POSSIBLE BUT IN NO CASE MORE THAN 7 DAYS.

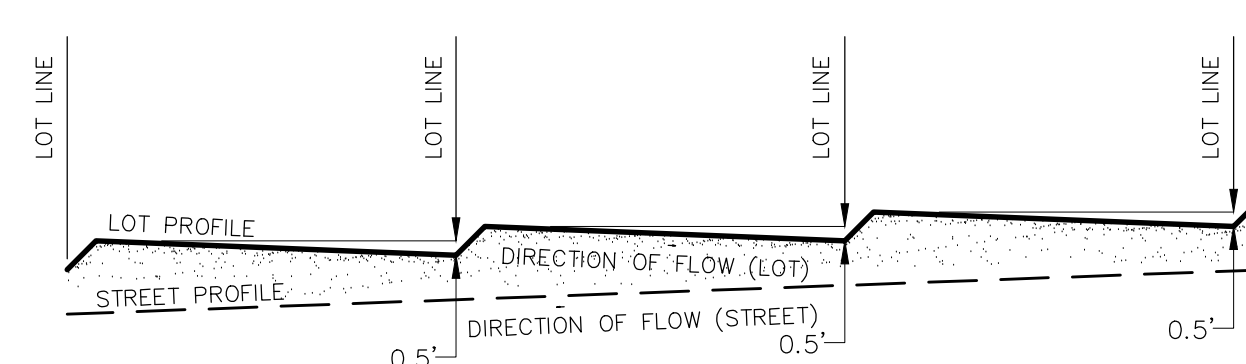
SEED: MNDOT MIXTURE 25-141 AT 60 POUNDS PER ACRE.

DORMANT SEED: SHALL BE APPLIED AT TWICE THE NORMAL RATE AFTER NOVEMBER 1ST.

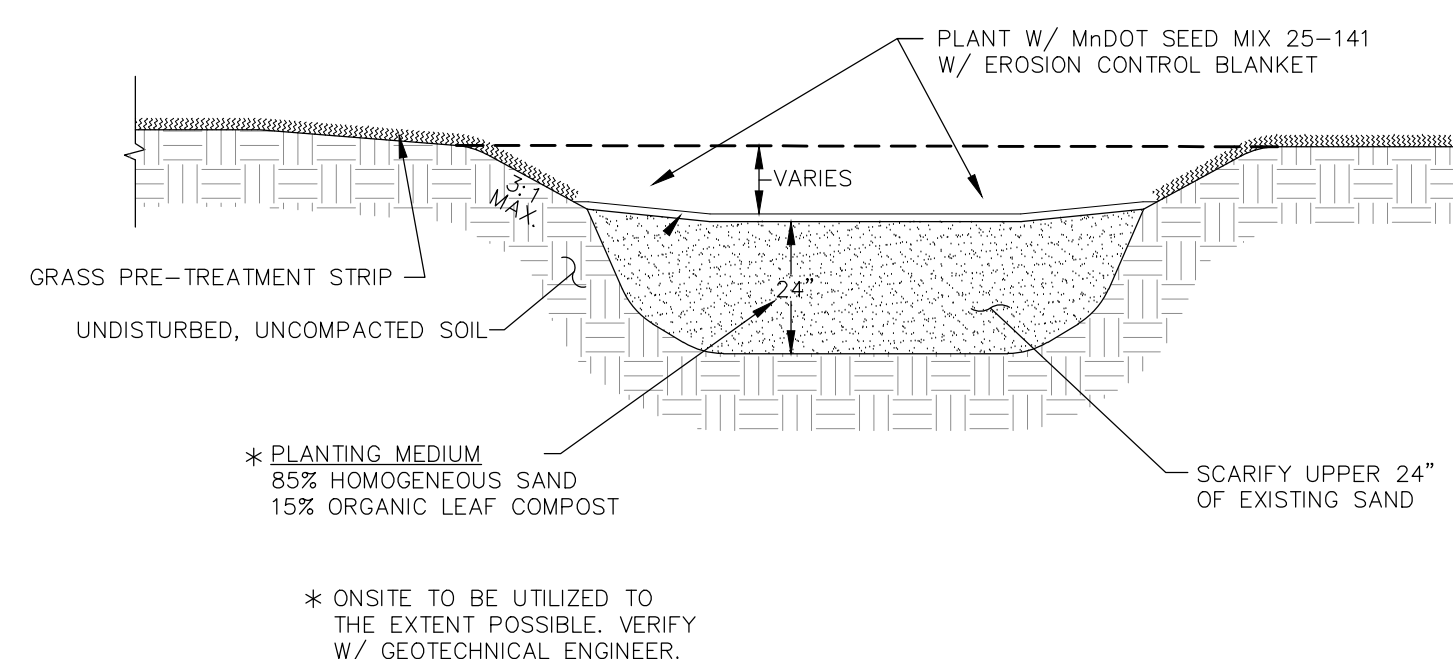
MULCH: TYPE 1 AT 2 TONS PER ACRE (DISK ANCHORED).

FERTILIZER: TYPE 1 10-10-10 AT 200 POUNDS PER ACRE.

### LOT BENCHING DETAIL



### INFILTRATION BASIN



### RAIN GUARDIAN DETAIL

