

NAME
BRAND
SELF STORAGE



Message Schedule

Sign Type	Quantity	Sign Identity
e01	1	D/F Pylon

— Property Line.
— 10' Setback Line.



DESIGN | FABRICATION | INSTALLATION | SERVICE

7775 Main St. N.E.,
Fridley, MN 55432
P: 763.754.2899 | F: 763.767.7316
www.albrechtsgncompany.com

Client Name:
Name Brand Storage


Client Address:
Ramsey, MN

Start Date: 6/24/19
Last Revision Date: 1/16/20
Job Number: N/A
Drawing Revision: 1
Sales Representative: DM
Designer: RD

Revision	Update
01	
02	
03	
04	
05	
06	
07	
08	
09	

Customer Signature of Approval
X _____

LED Module	Power Supply
Type	Type
Units	Units

 This Sign Intended To Be Installed In Accordance With The Requirements Of Article 600 Of The National Electrical Codes. This Includes Proper Grounding & Bonding Of Sign.

Copyright 2005, By Albrecht Sign Company, Inc. All Designs Presented Are The Sole Property Of Albrecht Sign Company Inc., And May Not Be Reproduced In Part Or Whole Without Written Permission From Albrecht Sign Company Inc Photo Renderings Are Not To Scale. Colors In This Drawing Are For Representation Purposes Only And May Differ From Finished Product, Physical Color Samples Can Be Provided Upon Request



DESIGN | FABRICATION | INSTALLATION | SERVICE

7775 Main St. N.E.,
Fridley, MN 55432
P: 763.754.2899 | F: 763.767.7316
www.albrechtsgncompany.com

Client Name:
Name Brand Storage

Client Address:
Ramsey, MN

Start Date: 6/24/19
Last Revision Date: 1/16/20
Job Number: N/A
Drawing Revision: 1
Sales Representative: DM
Designer: RD

Revision	Update
01	
02	
03	
04	
05	
06	
07	
08	
09	

Customer Signature of Approval
X _____

LED Module	Power Supply
Type	Type
Units	Units

This Sign Intended To Be Installed In Accordance With The Requirements Of Article 600 Of The National Electrical Codes. This Includes Proper Grounding & Bonding Of Sign.

Copyright 2005, By Albrecht Sign Company, Inc. All Designs Presented Are The Sole Property Of Albrecht Sign Company Inc., And May Not Be Reproduced In Part Or Whole Without Written Permission From Albrecht Sign Company Inc Photo Renderings Are Not To Scale. Colors In This Drawing Are For Representation Purposes Only And May Differ From Finished Product, Physical Color Samples Can Be Provided Upon Request

WHERE BRAND NAMES MATTER

NAME BRAND

SELF STORAGE

(763) 633-0072
NameBrandSelfStorage.com



Day View
Scale: 1/4" = 1'

WHERE BRAND NAMES MATTER

NAME BRAND

SELF STORAGE

(763) 633-0072
NameBrandSelfStorage.com

Night View
Scale: 1/4" = 1'



DESIGN | FABRICATION | INSTALLATION | SERVICE

7775 Main St. N.E.,
Fridley, MN 55432
P: 763.754.2899 | F: 763.767.7316
www.albrechtsgncompany.com

Client Name:
Name Brand Storage

Client Address:
Ramsey, MN

Start Date: 6/24/19
Last Revision Date: 1/16/20
Job Number: N/A
Drawing Revision: 1
Sales Representative: DM
Designer: RD

Revision	Update
01	
02	
03	
04	
05	
06	
07	
08	
09	

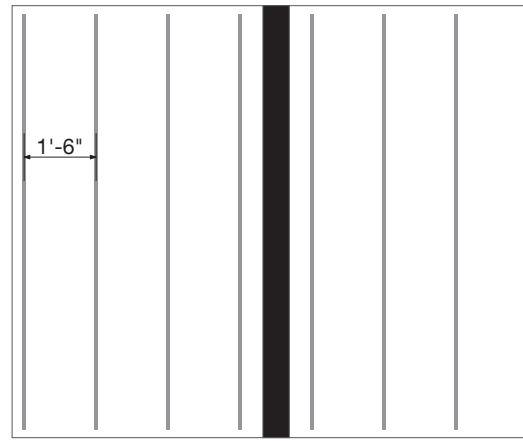
Customer Signature of Approval
X

LED Module	Power Supply
Type	Type
Units	Units

UL LISTED This Sign Intended To Be Installed In Accordance With The Requirements Of Article 600 Of The National Electrical Codes. This Includes Proper Grounding & Bonding Of Sign.

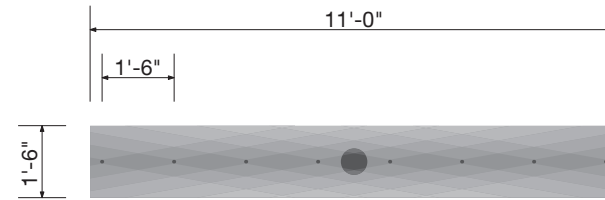
Copyright 2005, By Albrecht Sign Company, Inc. All Designs Presented Are The Sole Property Of Albrecht Sign Company Inc., And May Not Be Reproduced In Part Or Whole Without Written Permission From Albrecht Sign Company Inc Photo Renderings Are Not To Scale. Colors In This Drawing Are For Representation Purposes Only And May Differ From Finished Product, Physical Color Samples Can Be Provided Upon Request

T-12	Actual Length	Lumens per Stik	No. of Mods	Watts	Max. Units (50W)	Max. Units (120W)	Whips	Part Number*
96"	93.91"	4,500	36	47.52	1	2	1-6 ft.	PL-OP3-T03-P1ST-05-96-TW (B TO D36-09670)



(8) Double sided tap out stiks.
47.25 watts per stik.
378 watts in use.

LED Layout
Scale: 1/4" = 1'



LED Coverage - Plan View
Scale: 1/4" = 1'



Face View
Scale: 3/16" = 1'



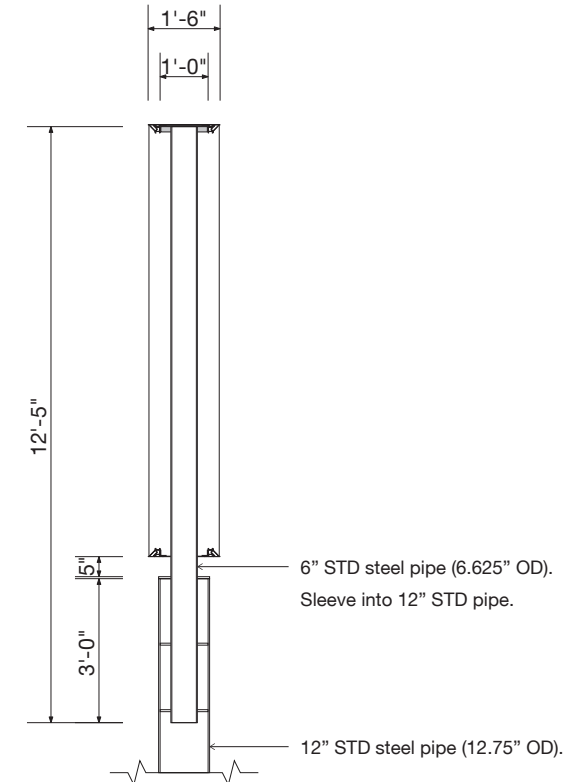
Face View
Scale: 1/4" = 1'

All pipes and match plates painted MP Black.

4" x 4" access hole for power.

3' x 10' Concrete Footing.
Set pipe 6" from bottom of footing.

1 1/2" x 1 1/2" x 3/16" Aluminum angle frame - 12" Deep.
Retro Frame (2104) and Cover (2121) to sleeve over frame - painted black.
1/8" Aluminum skin painted black to flush out retainer.
Digitally printed flex face.
Light w/ double sided tap out stiks.



End View
Scale: 3/8" = 1'

Color:	Blue	Black	N/A	N/A	N/A	N/A	N/A	E01
Paint Finish:	N/A	MP Black	N/A	N/A	N/A	N/A	N/A	Pylon
Vinyl:	N/A	N/A	N/A	N/A	N/A	N/A	N/A	Quantity: 1 Square Feet: 99
Digital Print:	2752C	N/A	N/A	N/A	N/A	N/A	N/A	Single Face: <input type="checkbox"/> Illuminated: <input checked="" type="checkbox"/>
Other:	N/A	N/A	N/A	N/A	N/A	N/A	N/A	Double Face: <input checked="" type="checkbox"/> Non-Illuminated: <input type="checkbox"/>



DESIGN | FABRICATION | INSTALLATION | SERVICE

7775 Main St. N.E.,
 Fridley, MN 55432
 P: 763.754.2899 | F: 763.767.7316
 www.albrechtsgncompany.com

Client Name:
 Name Brand Storage

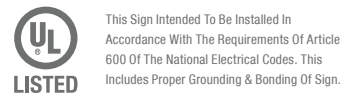
Client Address:
 Ramsey, MN

Start Date: 6/24/19
Last Revision Date: 1/16/20
Job Number: N/A
Drawing Revision: 1
Sales Representative: DM
Designer: RD

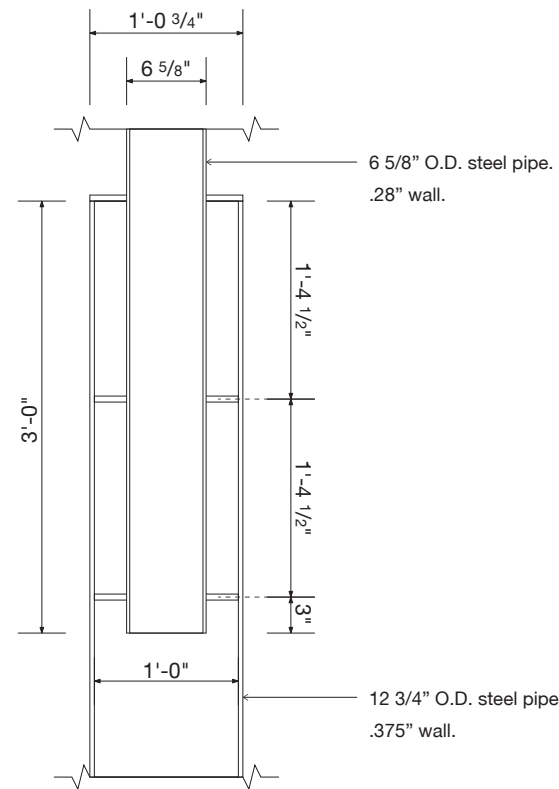
Revision	Update
01	
02	
03	
04	
05	
06	
07	
08	
09	

Customer Signature of Approval
 X _____

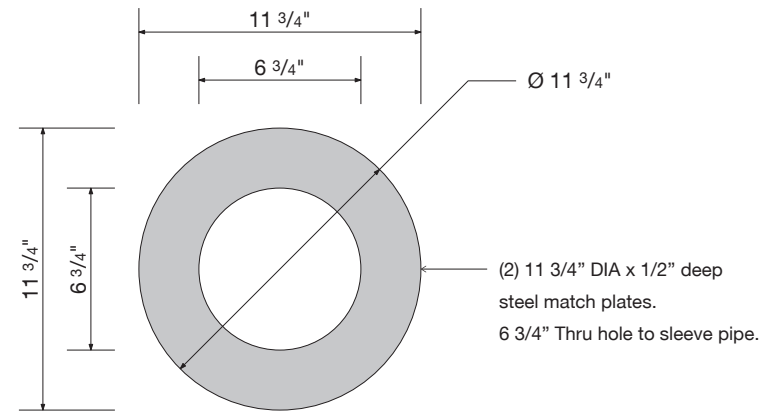
LED Module	Power Supply
Type	Type
Units	Units



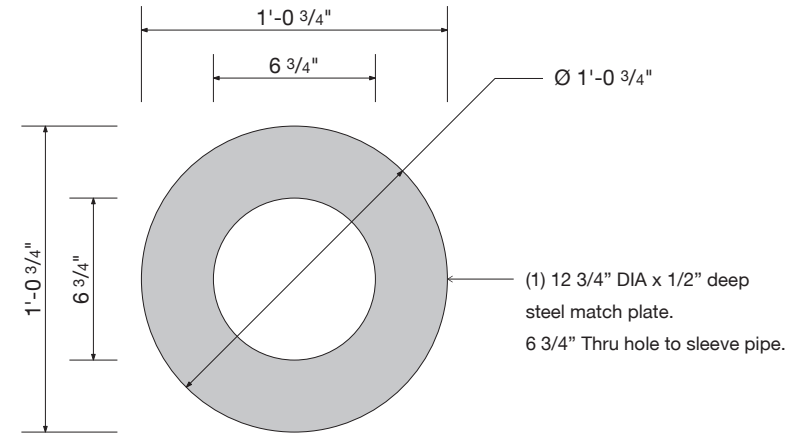
Copyright 2005, By Albrecht Sign Company, Inc. All Designs Presented Are The Sole Property Of Albrecht Sign Company Inc., And May Not Be Reproduced In Part Or Whole Without Written Permission From Albrecht Sign Company Inc Photo Renderings Are Not To Scale. Colors In This Drawing Are For Representation Purposes Only And May Differ From Finished Product, Physical Color Samples Can Be Provided Upon Request



Pole/Plate Detail
 Scale: 3/4" = 1'



Inner Rings
 Scale: 1 1/2" = 1'



Upper Ring
 Scale: 1 1/2" = 1'

Color:	Blue	Black	N/A	N/A	N/A	N/A	N/A	E01
Paint Finish:	N/A	MP Black	N/A	N/A	N/A	N/A	N/A	Pylon
Vinyl:	N/A	N/A	N/A	N/A	N/A	N/A	N/A	Quantity: 1 Square Feet: 99
Digital Print:	2752C	N/A	N/A	N/A	N/A	N/A	N/A	Single Face: <input type="checkbox"/> Illuminated: <input checked="" type="checkbox"/>
Other:	N/A	N/A	N/A	N/A	N/A	N/A	N/A	Double Face: <input checked="" type="checkbox"/> Non-Illuminated: <input type="checkbox"/>