

LAMPERT ARCHITECTS

420 Summit Avenue
St. Paul, MN 55102
Phone: 763.755.1211 Fax: 763.757.2849
lampert@lampert-arch.com

ARCHITECT CERTIFICATION:
I HEREBY CERTIFY THAT THIS PLAN, SPECIFICATION OR REPORT WAS PREPARED BY ME OR UNDER MY DIRECT SUPERVISION AND THAT I AM A DULY LICENSED ARCHITECT UNDER THE LAWS OF THE STATE OF MINNESOTA.

LEONARD LAMPERT

13669
12/29/20

BUNKER LAKE INDUSTRIAL PARK
BUILDING #4
Ramsey, Minnesota

Copyright 2020
Leonard Lampert Architects Inc.

Project Designer: JAMES B

Drawn By: JRB

Checked By: LL

Revisions

5/30/19 PRELIMINARY

2/5/20 FINAL REVIEW

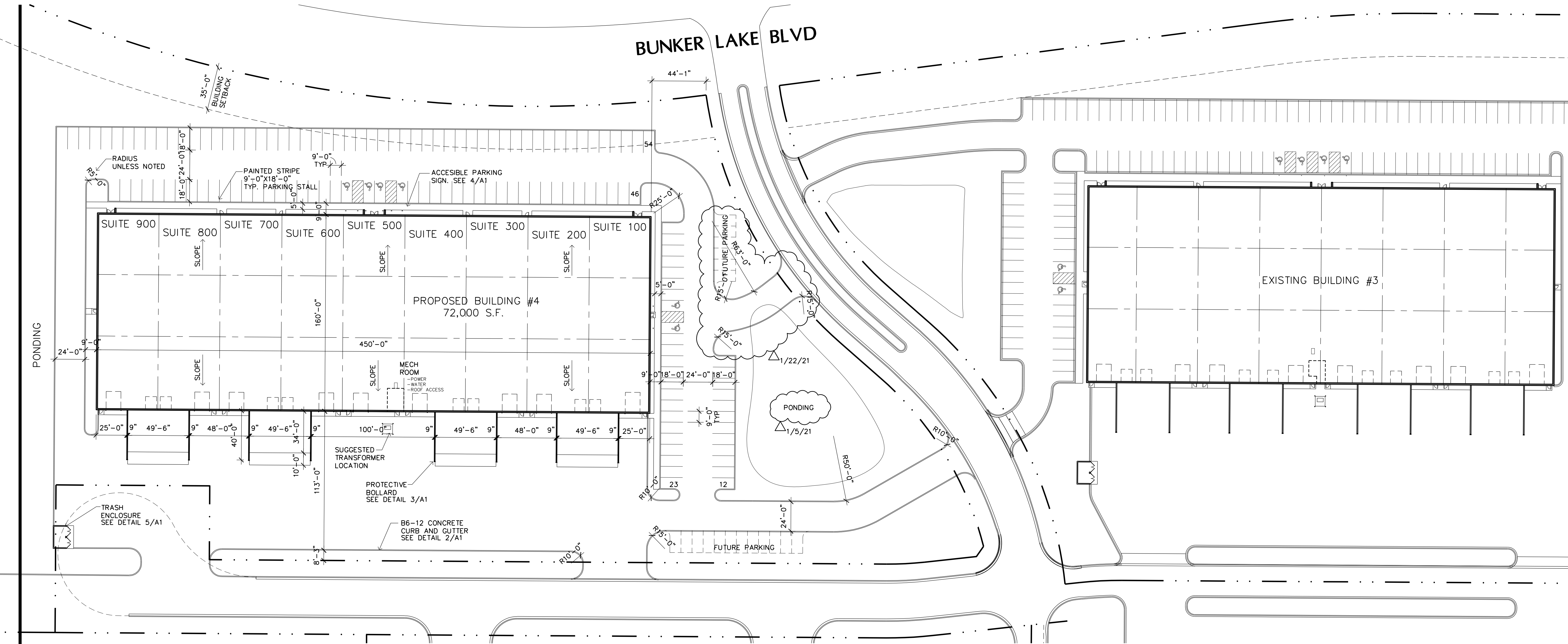
12/29/20 ISSUE FOR PERMIT

SITE PLAN

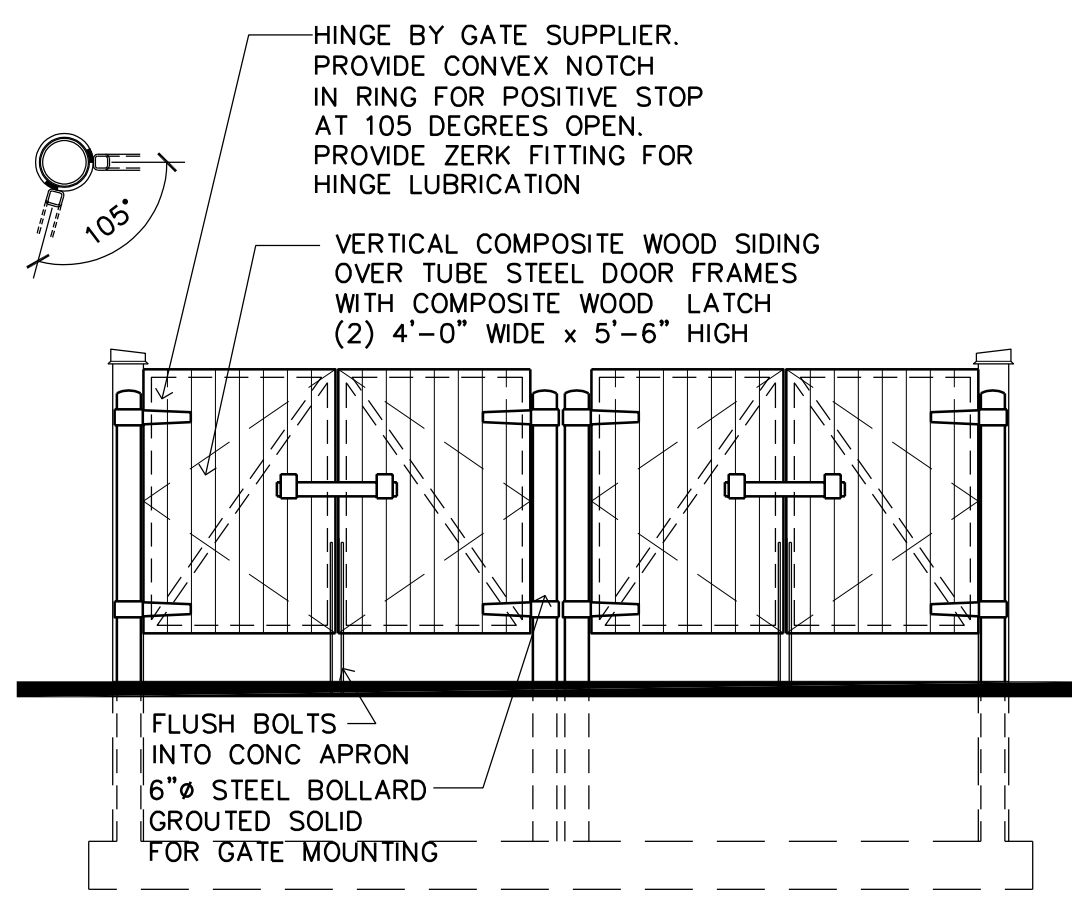
Sheet Number

A1

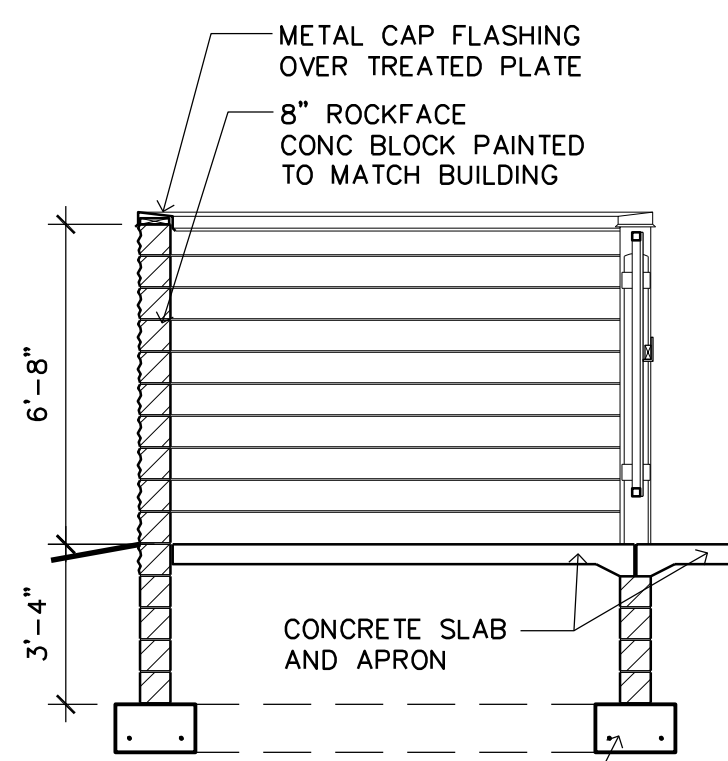
Project No. 190521-2



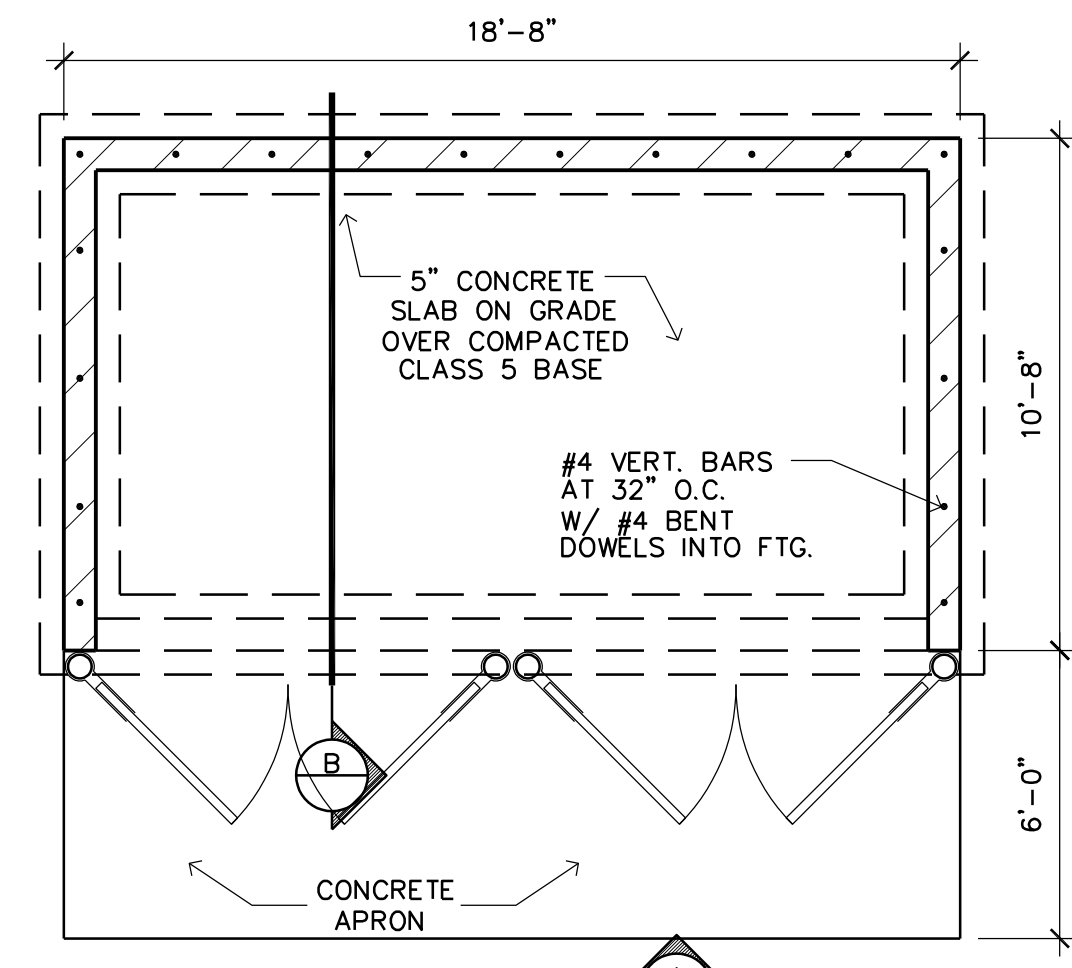
1 SITE PLAN
A1 SCALE: 1" = 40'-0"



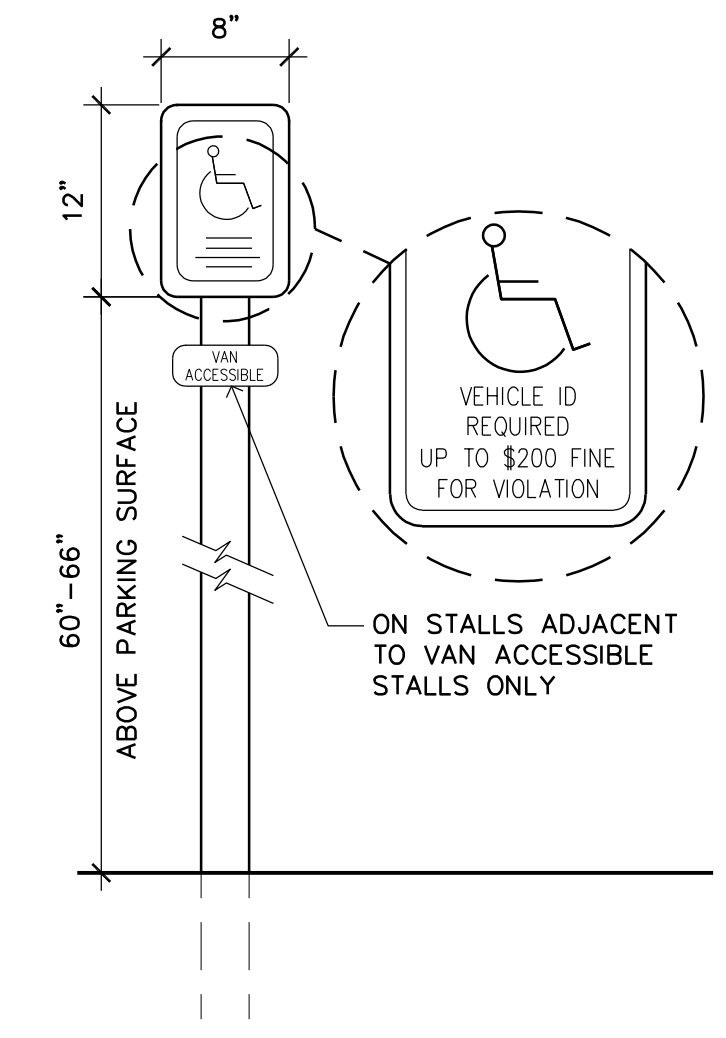
ELEVATION 'A'



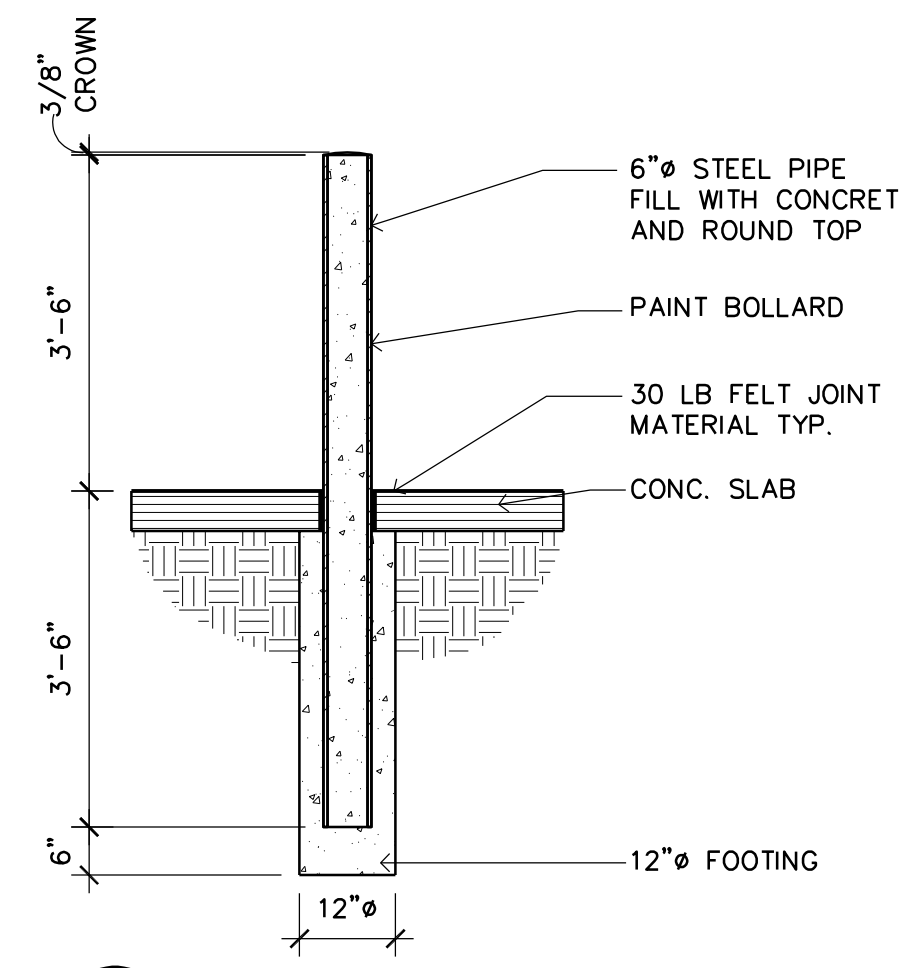
SECTION 'B'



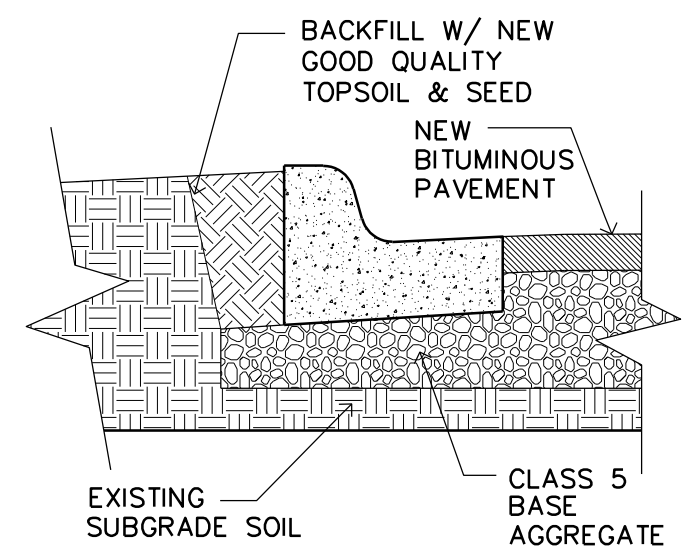
5 TRASH ENCLOSURE
A1 SCALE: 1/4" = 1'-0"



4 ACCESSIBLE PARKING SIGN
A1 1" = 1'-0"



3 CONCRETE BOLLARD
A1 SCALE: 1/2" = 1'-0"



2 B6-12 CONCRETE CURB
A1 SCALE: 1/2" = 1'-0"

Filename: BUNKER LAKE INDUSTRIAL PARK BUILDING #4 BUNKER LAKE #4-A1