

City of Ramsey
Agenda
Environmental Policy Board (EPB)
Monday, October 18, 2021
Canceled
6:30 pm
Council Chambers, 7550 Sunwood Drive NW

Remote Attendance available at www.cityoframsey.com/meetings. To maximize social distancing due to the COVID-19 Pandemic, those that can join remotely are encouraged to do so. Those joining remotely and requesting to speak are asked to use a webcam when speaking.

1. **Call to Order**
2. **Citizen Input**
3. **Approve Agenda**
4. **Approve Minutes**
 1. Approve Meeting Minutes Dated August 16, 2021
5. **Policy Board Business**
 1. Consider Natural Resources Related Plan Elements for Trott Brook Crossing Preliminary Plat (Project No. 21-130); Case of Sotarra
 2. Consider Participating in a Future Rain Barrel and Compost Bin Sales Event
6. **Board/Staff Input**
 - Recycling Day Recap
 - Mississippi River Shoreline Erosion Control Plan Update
7. **Adjournment**

Environmental Policy Board (EPB)

4. 1.

Meeting Date: 10/18/2021

By: Chris Anderson, Community
Development

Information

Title:

Approve Meeting Minutes Dated August 16, 2021

Action:

Motion to approve meeting minutes dated August 16, 2021.

Attachments

Meeting Minutes Dated August 16, 2021

Form Review

Inbox

Bruce Westby

Form Started By: Chris Anderson

Final Approval Date: 10/14/2021

Reviewed By

Bruce Westby

Date

10/14/2021 10:28 AM

Started On: 10/13/2021 09:04 AM

**ENVIRONMENTAL POLICY BOARD
CITY OF RAMSEY
ANOKA COUNTY
STATE OF MINNESOTA**

On Monday, August 16, 2021, the Environmental Policy Board (EPB) met in the Council Chambers at the Ramsey Municipal Center, 7550 Sunwood Drive N.W., Ramsey, Minnesota.

Members Present: Chairperson Laura Moore
 Board Member Reid Bernard
 Board Member Michael Hiatt
 Board Member Jared Little

Members Absent: Board Member Melissa Fetterley
 Board Member Michael Valentine

Also Present: City Planner Chris Anderson
 City Council Liaison Chelsee Howell

1. CALL TO ORDER

Acting Chairperson Hiatt called the meeting to order at 6:30 p.m.

2. CITIZEN INPUT

None.

3. APPROVE AGENDA

Motion by Board Member Little and seconded by Board Member Bernard to approve the agenda as submitted.

Motion carried. Voting Yes: Acting Chairperson Hiatt, Board Member Little, Bernard, and Moore.
Voting No: None. Absent: Board Member Fetterley and Valentine.

4. APPROVE MINUTES

4.01: Approve Meeting Minutes Dated July 19, 2021

Motion by Board Member Moore and seconded by Board Member Little to approve the regular meeting minutes dated July 19, 2021.

Motion carried. Voting Yes: Acting Chairperson Hiatt, Board Member Moore, Little, and Bernard.
Voting No: None. Absent: Board Member Fetterley and Valentine.

5. POLICY BOARD BUSINESS

5.01: Appoint New Chairperson (and Possibly New Vice Chairperson)

Acting Chairperson Hiatt commented that Chair Covart has stepped down from the EPB as she is moving outside of Ramsey, therefore a new Chair will need to be appointed. He opened the floor for nominations for the position of Chair. He noted that he would be willing to continue serving as Vice Chair but because of health issues he would not want the position of Chair.

Acting Chairperson Hiatt nominated Laura Moore as she expresses a lot of interest in the issues and takes time to research the issues.

Motion by Board Member Hiatt and seconded by Board Member Bernard to appoint Laura Moore as Chairperson of the EPB.

Board Member Moore accepted the nomination.

There were no other nominations.

Motion carried. Voting Yes: Acting Chairperson Hiatt, Board Member Bernard, Little, and Moore. Voting No: None. Absent: Board Member Fetterley and Valentine.

Chairperson Moore took control of the meeting.

5.02: Consider Natural Resources Aspects of Site Plan and Plat for G-Will Liquors

City Planner Anderson presented the staff report. He stated that the City has received applications for Site Plan review and Final Plat from Rademacher Companies, Inc. for a proposed new G-Will Liquors retail store, located at 15415 Saint Francis Boulevard.

Board Member Little referenced the island with two trees planted and asked if there would be irrigation to the island.

City Planner Anderson replied that he is unsure, noting that it would not be required. He noted that City Code does require parking lot landscaping. He noted that the Code was purposefully amended a few years ago to remove the requirement for in-ground irrigation as that conflicted with the City goal for water conservation.

Board Member Little commented that trees often do not thrive in island settings, especially in dry years like this.

City Planner Anderson commented that commercial projects are required to provide a two-year maintenance surety to ensure plantings survive two growing seasons.

Board Member Hiatt commented that he lives in this neighborhood and is a regular customer at Bill's. He stated that Bill's maintains their landscaping on the gas station site. He asked for details on whether Bill's met the landscaping requirements.

City Planner Anderson commented that he would agree that Bill's original site plan most likely met the landscaping requirements at that time.

Board Member Hiatt asked how many trees the applicant would like to take away from the required plantings on this site to add to the existing Bill's site.

City Planner Anderson replied that the applicant has not specified a number but was merely attempting to determine if the City would be open to that option. He noted that outside of the two-year maintenance period, if a tree is damaged and removed, there is not a requirement for replacement.

Board Member Hiatt commented that Bill's has maintained their site and trees well and therefore if they would like to add more trees to the Bill's site, that could be a smart move. He stated that he understands the concern of the applicant and would be willing to leave that be a negotiation between the applicant and staff.

City Planner Anderson commented that the trees that would be added to the Bill's site would still be covered by the two-year maintenance period.

Board Member Hiatt commented that he would see this similar to wetland replacement, where trees could be added close by rather than on the site and he would support the request.

Chairperson Moore commented that she also supports moving trees to the site south of Alpine if desired. She asked if the applicant has purchased the entire plat or just the southern portion of the plat.

City Planner Anderson commented that the applicant is working to purchase the parcel, which would be the southern three acres and the remaining 18 acres would remain as a separate parcel.

Chairperson Moore stated that she supports moving the buffer yard to the eastern side. She asked what would happen if the northern parcel were to develop in the future.

City Planner Anderson commented that if something is proposed in the future on the northern portion, a buffer yard could become a requirement for that future development.

Chairperson Moore stated that she would also be concerned with visibility of the business if all trees were required on the new site and therefore, she would support moving trees onto the Bill's site.

City Planner Anderson stated that it appears there is consensus to allow the applicant to move trees onto the Bill's site.

Motion by Board Member Hiatt and seconded by Board Member Bernard to recommend approval of the Landscape Plan and Tree Inventory and Preservation Plan contingent upon compliance with staff review comments in ProjectDox and the ability to relocate certain plantings to the south side of Alpine.

Motion carried. Voting Yes: Chairperson Moore, Board Member Hiatt, Bernard, and Little. Voting No: None. Absent: Board Member Fetterley and Valentine.

5.03: Consider Natural Resources Aspects of North Brook Meadows Preliminary Plat (Project No. 20-105)

City Planner Anderson presented the staff report. He stated that the City has received an application from Platinum Land for Preliminary Plat review of North Brook Meadow, located at the southwestern corner of Nowthen Boulevard and 175th Avenue.

Motion by Board Member Little and seconded by Board Member Hiatt to recommend approval of the Landscape and Tree Preservation Plans, contingent upon compliance with the staff review comments in ProjectDox and upon receipt of the final tree inventory.

Motion carried. Voting Yes: Chairperson Moore, Board Member Little, Hiatt, and Bernard. Voting No: None. Absent: Board Member Fetterley and Valentine.

5.04: Consider Natural Resources Aspects of Lennar Preliminary Plat (Project No. 20-122)

City Planner Anderson presented the staff report. He stated that the City has received an application for a Comprehensive Plan Amendment, Zoning Amendment, and Preliminary Plat from Lennar for a proposed residential development on the property generally located west of Armstrong Boulevard, south of 151st Lane, and north of Bunker Laker Boulevard.

Board Member Hiatt referenced the 35- or 45-foot corridor and asked if that would be the choice of the applicant. He asked whether the existing homeowners would have the ability to provide input.

City Planner Anderson replied that one existing homeowner attended the neighborhood meeting and had a preference for the berm. He stated that input has been relayed to the applicant. He noted that including a berm reduces the width of the corridor and related plantings and therefore most developers will attempt to utilize that method of density transitioning.

Chairperson Moore referenced the one property owner that attended the earlier meeting and asked if there would be another opportunity for residents to attend a meeting and provide input.

City Planner Anderson replied that there is a public hearing scheduled the following week with the Planning Commission and the Comprehensive Plan amendment will go before the City Council the following Tuesday as well. He stated that although the City Council case is not a public hearing, the Council has always been very inviting to allow members of the public to speak on an agenda item.

Motion by Board Member Little and seconded by Board Member Bernard to recommend approval of the Landscape and Tree Preservation Plans with the following contingencies:

- Revise all applicable plan sheets to provide either the 45-foot-wide corridor and required number of plantings or a 35-foot-wide corridor with a berm and required plantings to ensure compliance with the density transitioning standards.
- Provide a separate planting schedule for the density transitioning plantings and the base landscape plantings.

Motion carried. Voting Yes: Chairperson Moore, Board Member Little, Bernard, and Hiatt.
Voting No: None. Absent: Board Member Fetterley and Valentine.

6. BOARD / STAFF INPUT

City Planner Anderson reported that the fall recycling event will be held on Saturday, September 25th and will be hosted at the new Public Works Facility campus.

Chairperson Moore thanked the Board for the appointment as Chair, noting that she will attempt to do her best.

7. ADJOURNMENT

Motion by Board Member Hiatt and seconded by Board Member Little to adjourn the meeting.

The meeting adjourned at 7:28 p.m.

Respectfully submitted,

Chris Anderson
City Planner

ATTEST:

JoAnn Shaw
Community Development Secretary

Drafted by Amanda Staple
TimeSaver Off Site Secretarial, Inc.

Meeting Date: 10/18/2021

By: Chris Anderson, Community
Development

Information

Title:

Consider Natural Resources Related Plan Elements for Trott Brook Crossing Preliminary Plat (Project No. 21-130); Case of Sotarra

Purpose/Background:

The City has received an application from TEG Land Holdings LLC (the "Applicant") for a Preliminary Plat of 270 single family residential homes on the properties generally located west of Nowthen Boulevard, east of Variolite Street, north of Trott Brook and south of 173rd Avenue (the "Subject Property").

Observations/Alternatives:

Project Summary

The Subject Property, which is approximately 200 acres in size, is zoned R-1 Residential (MUSA) - 80, with a small portion zoned R-1 Residential (Rural Developing). The bulk of the Subject Property is guided as Low Density Residential in the 2040 Comprehensive Plan. The portion that is zoned R-1 Residential (Rural Developing) is also guided as Rural Developing in the 2040 Comprehensive Plan. Thus, the application does include a requested Zoning Amendment and Comprehensive Plan Amendment to rezone and re-guide that portion of the Subject Property to match the remainder of the site. This would accommodate seven (7) total lots, as much of this area would be platted as an outlot due to Trott Brook and associated wetland and floodplain. The project does include a proposed park area of approximately thirteen (13) acres.

Natural Resources Inventory

The majority of the Subject Property has been actively farmed over the years. The Minnesota Land Cover Classification System (MLCCS) classifies the bulk of the Subject Property as 'Planted or Cultivated Vegetation' (this includes the planted woodland area), with pockets of 'Wetland Shrubland', 'Wetland Forest' and 'Woodland'. The City's Natural Resources Inventory (NRI) identifies several Altered/Non-Native Plant Communities across the Subject Property, mostly around the large wetland complex in the north and lining the planted woodland area.

Wetlands and Floodplain

There is a large wetland complex in the north of the Subject Property and the area adjacent to Trott Brook is also wetland. A sixteen and a half foot (16.5') setback will be required adjacent to all delineated wetlands (and is shown on the plan set). There is also floodplain encumbering the land adjacent to Trott Brook. The Preliminary Plat is designed to include outlots (unbuildable parcels) adjacent to Trott Brook, which actually keeps the wetland areas, and the wetland setback area, out of the proposed residential lots. This design also helps limit the amount of floodplain area that encumbers the lots. While some lots will have floodplain in the rear areas, an Elevation Certificate will be required to verify that the lowest floor is at or above the Regulatory Flood Protection Elevation (this document will be beneficial for a home owner if their lender says that they need flood insurance).

Density Transitioning

Density Transitioning is required in the northwest portion of the Subject Property, where it abuts an existing single family residential lot zoned R-1 Residential (Rural Developing). City Code requires either a forty-five (45) foot wide corridor, held in common ownership, with eight (8) overstory trees, eight (8) evergreen trees, and eight (8) understory trees per 100 feet of impacted property or a thirty-five (35) foot wide corridor, held in common ownership, with a berm and four (4) overstory trees, four (4) evergreen trees, and four (4) ornamental trees per 100 feet of impacted property.

As proposed, there are nine (9) lots (Lots 7-15, Block 1) that require density transitioning. These lots are designed with thirty-five (35) feet of 'extra' depth. However, it does not appear that there is any proposed berming. Thus, density transitioning corridor should be at least forty-five (45) feet wide. Either additional depth needs to be provided or berming must be included in the grading plan.

Across the nine (9) lots, there is only a single row of trees, consisting of White Pine, Canadian Hemlock, and Ponderosa Pine. There are no overstory trees nor any ornamental trees and the overall proposed number of plantings (40) is well short of what is required (if a berm is incorporated, would require 96 trees, without a berm, 192 trees). Modifications are required to comply with the City's density transitioning requirements.

Tree Preservation

A Tree Inventory and Preservation Plan was included with the submittal. There was a full inventory of all naturally occurring woodlands on site and a Fixed Radius Plot sampling technique was utilized for the planted woodlands (tree farm). Trees within the planted woodland area are being actively harvested as part of the tree farm operation (it was understood that these trees, which were planted with the express intention of being cut/harvested, would continue to be managed and harvested as a crop). It is anticipated that some of the existing planted woodland trees will be preserved on site, which are not reflected in the preservation calculation.

Landscape Plan

Based on the zoning district, each lot is to receive two (2) front yard trees (this would be in addition to any trees proposed/required for density transitioning). Many of the lots have two (2) trees, but in most cases, one of the trees is located in the rear yard. Modifications are required to ensure each lot receives two (2) front yard trees (at least one can/should be installed in the boulevard) and to confirm that the plantings will meet the minimum size requirements per City Code. Furthermore, as noted previously, additional plantings are required in the rear of lots 7-15 to satisfy density transitioning requirements.

Funding Source:

All costs associated with this request are the Applicant's responsibility.

Action:

Motion to recommend approval of the natural resources elements of the project contingent upon compliance with staff review comments in ProjectDox and with City Council consideration of density transitioning.

Attachments

[Site Location Map](#)

[Lot Layout](#)

[Landscape Plan](#)

[Floodplain Exhibit](#)

[Tree Inventory Mapping](#)

[Tree Inventory](#)

Form Review

Inbox

Chris Anderson (Originator)
Bruce Westby
Form Started By: Chris Anderson

Reviewed By

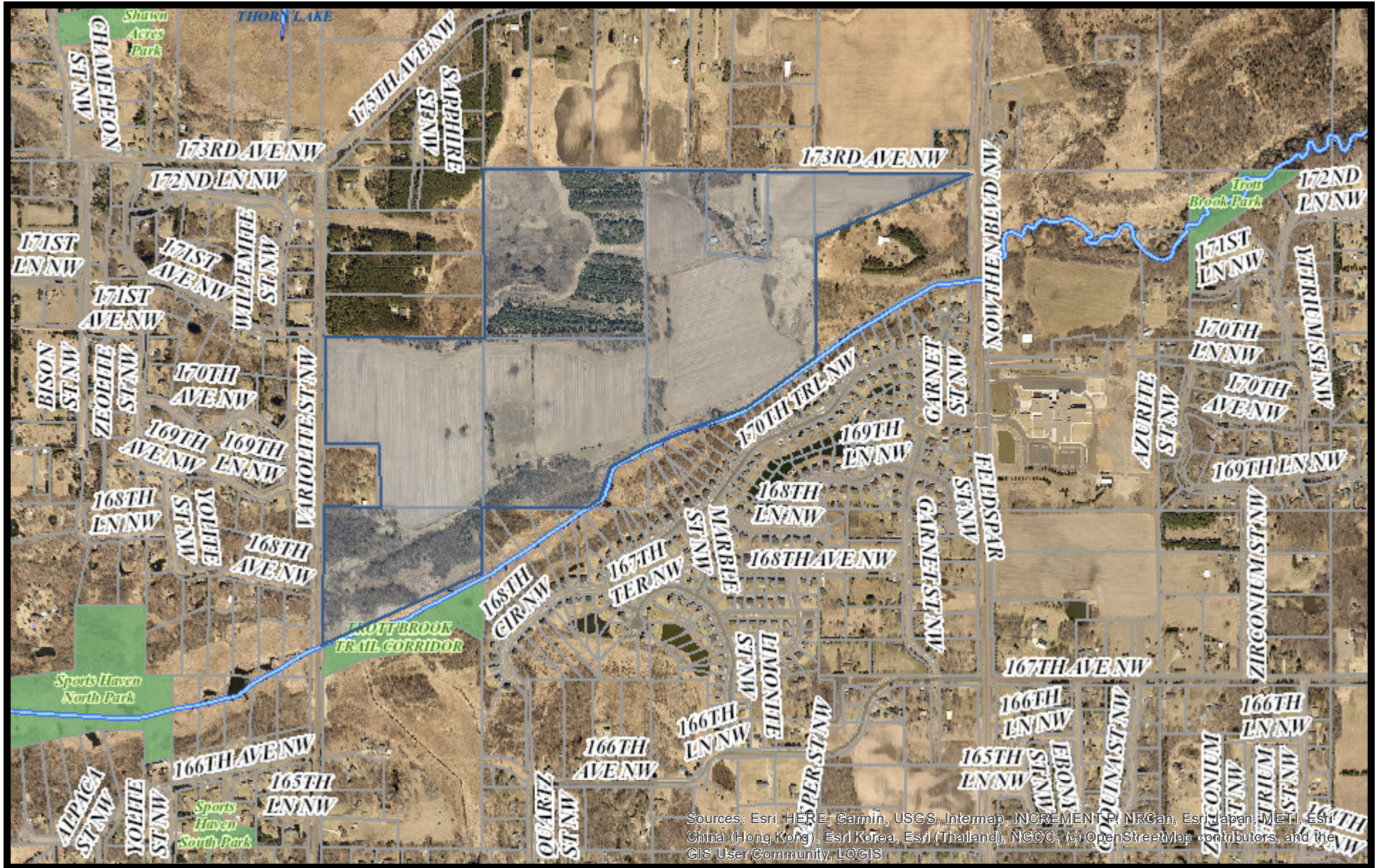
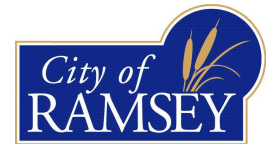
Chris Anderson
Bruce Westby

Date

10/13/2021 03:15 PM
10/14/2021 09:33 AM
Started On: 10/08/2021 04:04 PM

Site Location Map

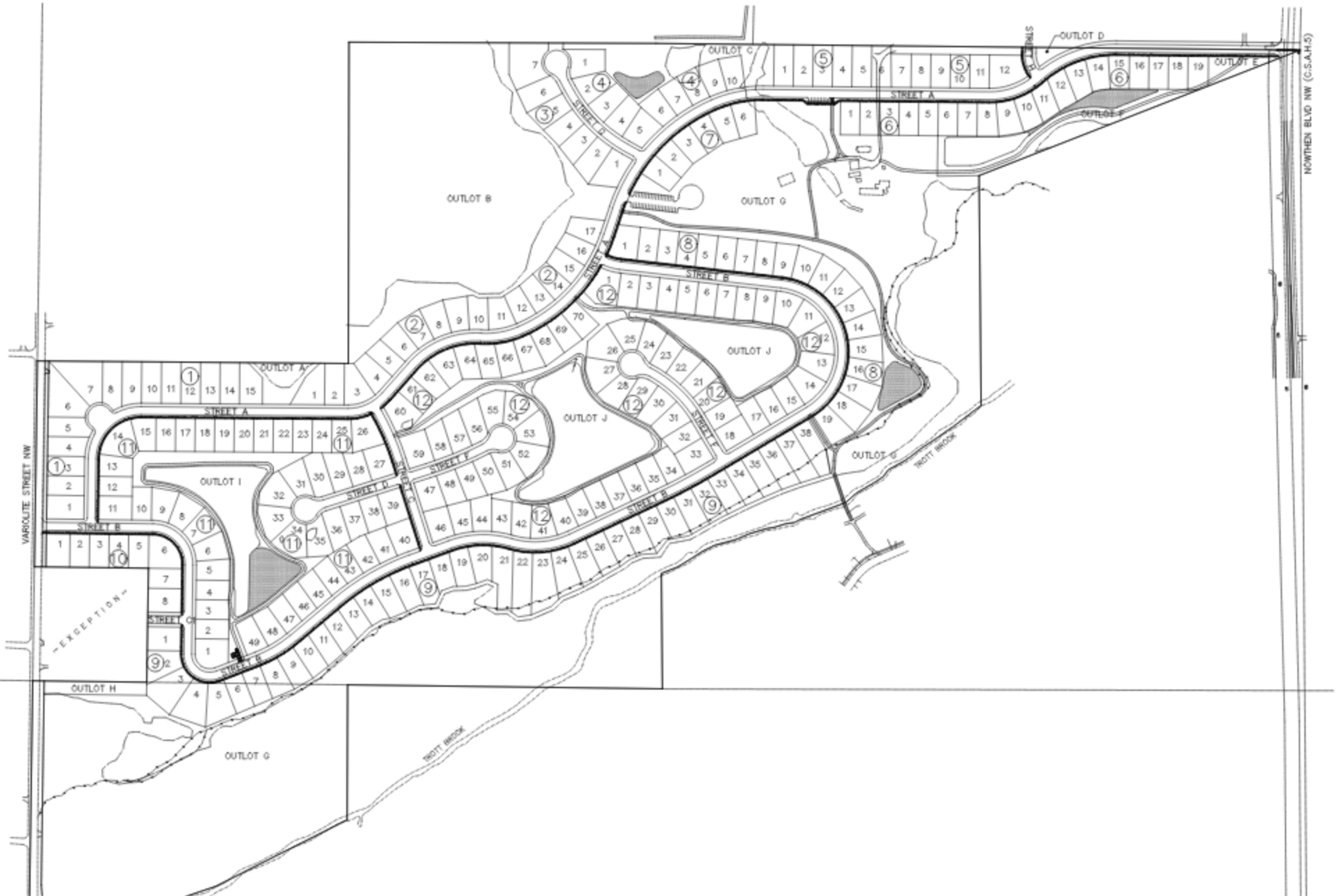
Trott Brook North



Sources: Esri, HERE, Garmin, USGS, Intermap, INCREMENT P, NRCan, Esri Japan, METI, Esri China (Hong Kong), Esri Korea, Esri (Thailand), NCCO, (c) OpenStreetMap contributors, and the GIS User Community, LOGIS

TROTT BROOK CROSSING

RAMSEY, MINNESOTA



CITY OF RAMSEY LANDSCAPE REQUIREMENTS

1. **MINIMUM PLANTINGS.** MINIMUM OF TWO (2) TREES REQUIRED PER DWELLING UNIT. THE COMPLEMENT OF TREES FULFILLING THE LANDSCAPING REQUIREMENTS SHALL NOT BE LESS THAN 25 PERCENT DECIDUOUS AND NOT LESS THAN 25 PERCENT CONIFEROUS. NOT MORE THAN 25 PERCENT OF THE REQUIRED PLANTINGS SHALL CONSIST OF ORNAMENTAL OR UNDERSTORY TREES.

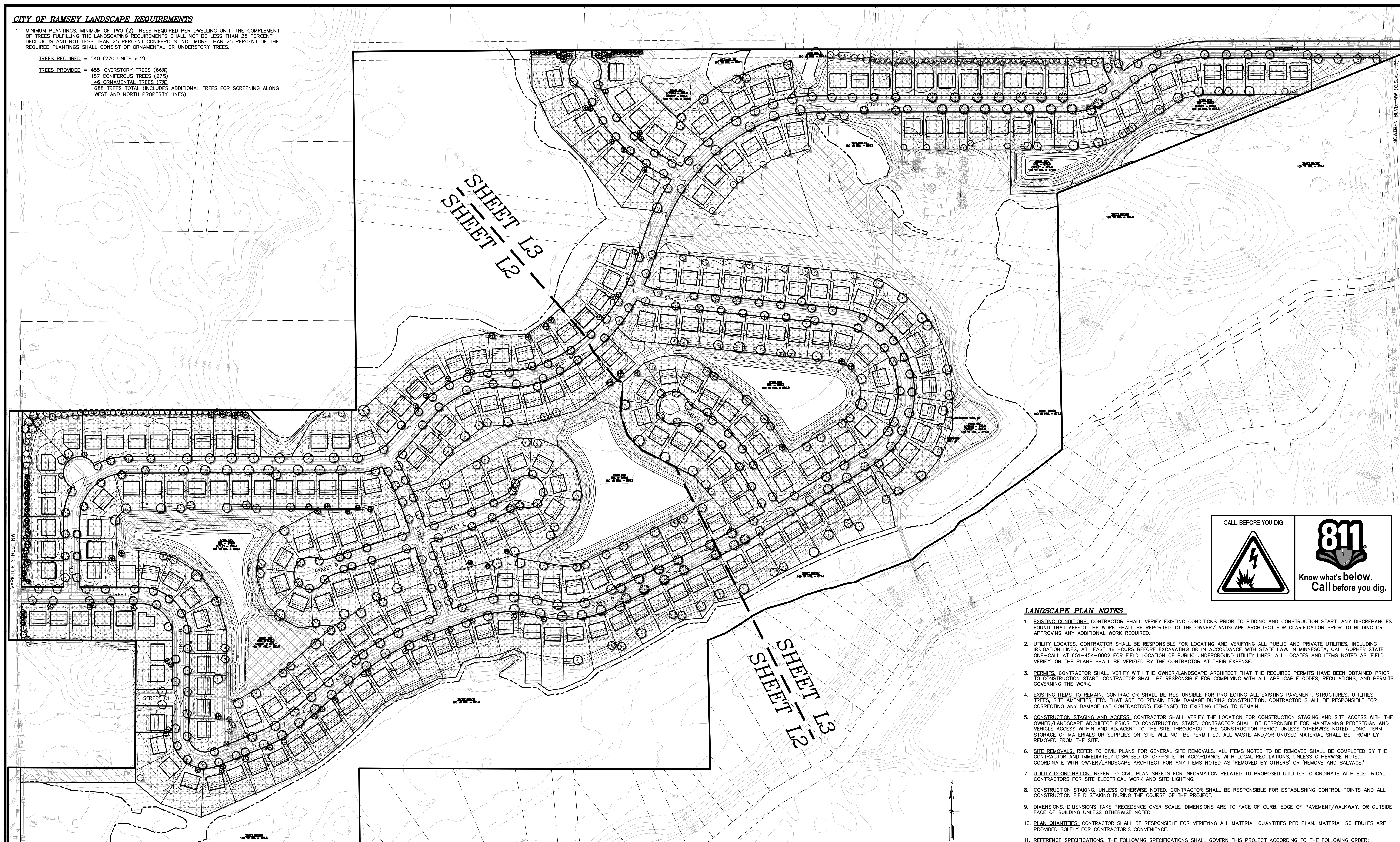
TREES REQUIRED = 540 (270 UNITS x 2)

TREES PROVIDED = 455 OVERSTORY TREES (66%)

187 CONIFEROUS TREES (27%)

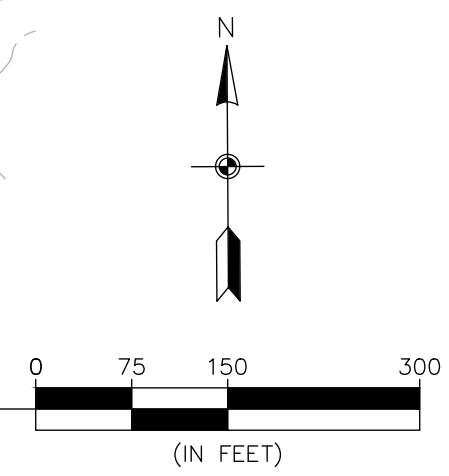
116 ORNAMENTAL TREES (27%)

688 TREES TOTAL (INCLUDES ADDITIONAL TREES FOR SCREENING ALONG WEST AND NORTH PROPERTY LINES)



LANDSCAPE PLAN NOTES

- EXISTING CONDITIONS.** CONTRACTOR SHALL VERIFY EXISTING CONDITIONS PRIOR TO BIDDING AND CONSTRUCTION START. ANY DISCREPANCIES FOUND THAT AFFECT THE WORK SHALL BE REPORTED TO THE OWNER/LANDSCAPE ARCHITECT FOR CLARIFICATION PRIOR TO BIDDING OR APPROVING ANY ADDITIONAL WORK REQUIRED.
- UTILITY LOCATES.** CONTRACTOR SHALL BE RESPONSIBLE FOR LOCATING AND VERIFYING ALL PUBLIC AND PRIVATE UTILITIES, INCLUDING IRRIGATION LINES, AT LEAST 48 HOURS BEFORE EXCAVATING OR IN ACCORDANCE WITH STATE LAW. IN MINNESOTA, CALL GOPHER STATE ONE-CALL AT 651-454-0000 FOR FIELD LOCATION OF PUBLIC UNDERGROUND UTILITY LINES. ALL LOCATES AND ITEMS NOTED AS 'FIELD VERIFY' ON THE PLANS SHALL BE VERIFIED BY THE CONTRACTOR AT THEIR EXPENSE.
- PERMITS.** CONTRACTOR SHALL VERIFY WITH THE OWNER/LANDSCAPE ARCHITECT THAT THE REQUIRED PERMITS HAVE BEEN OBTAINED PRIOR TO CONSTRUCTION START. CONTRACTOR SHALL BE RESPONSIBLE FOR COMPLYING WITH ALL APPLICABLE CODES, REGULATIONS, AND PERMITS GOVERNING THE WORK.
- EXISTING ITEMS TO REMAIN.** CONTRACTOR SHALL BE RESPONSIBLE FOR PROTECTING ALL EXISTING PAVEMENT, STRUCTURES, UTILITIES, TREES, SITE AMENITIES, ETC. THAT ARE TO REMAIN FROM DAMAGE DURING CONSTRUCTION. CONTRACTOR SHALL BE RESPONSIBLE FOR CORRECTING ANY DAMAGE (AT CONTRACTOR'S EXPENSE) TO EXISTING ITEMS TO REMAIN.
- CONSTRUCTION STAGING AND ACCESS.** CONTRACTOR SHALL VERIFY THE LOCATION FOR CONSTRUCTION STAGING AND SITE ACCESS WITH THE OWNER/LANDSCAPE ARCHITECT PRIOR TO CONSTRUCTION START. CONTRACTOR SHALL BE RESPONSIBLE FOR MAINTAINING PEDESTRIAN AND VEHICLE ACCESS WITHIN AND ADJACENT TO THE SITE THROUGHOUT THE CONSTRUCTION PERIOD UNLESS OTHERWISE NOTED. LONG-TERM STORAGE OF MATERIALS OR SUPPLIES ON-SITE WILL NOT BE PERMITTED. ALL WASTE AND/OR UNUSED MATERIAL SHALL BE PROMPTLY REMOVED FROM THE SITE.
- SITE REMOVALS.** REFER TO CIVIL PLANS FOR GENERAL SITE REMOVALS. ALL ITEMS NOTED TO BE REMOVED SHALL BE COMPLETED BY THE CONTRACTOR AND IMMEDIATELY DISPOSED OF OFF-SITE, IN ACCORDANCE WITH LOCAL REGULATIONS, UNLESS OTHERWISE NOTED. COORDINATE WITH OWNER/LANDSCAPE ARCHITECT FOR ANY ITEMS NOTED AS 'REMOVED BY OTHERS' OR 'REMOVE AND SALVAGE.'
- UTILITY COORDINATION.** REFER TO CIVIL PLAN SHEETS FOR INFORMATION RELATED TO PROPOSED UTILITIES. COORDINATE WITH ELECTRICAL CONTRACTORS FOR SITE ELECTRICAL WORK AND SITE LIGHTING.
- CONSTRUCTION STAKING.** UNLESS OTHERWISE NOTED, CONTRACTOR SHALL BE RESPONSIBLE FOR ESTABLISHING CONTROL POINTS AND ALL CONSTRUCTION FIELD STAKING DURING THE COURSE OF THE PROJECT.
- DIMENSIONS.** DIMENSIONS TAKE PRECEDENCE OVER SCALE. DIMENSIONS ARE TO FACE OF CURB, EDGE OF PAVEMENT/WALKWAY, OR OUTSIDE FACE OF BUILDING UNLESS OTHERWISE NOTED.
- PLAN QUANTITIES.** CONTRACTOR SHALL BE RESPONSIBLE FOR VERIFYING ALL MATERIAL QUANTITIES PER PLAN. MATERIAL SCHEDULES ARE PROVIDED SOLELY FOR CONTRACTOR'S CONVENIENCE.
- REFERENCE SPECIFICATIONS.** THE FOLLOWING SPECIFICATIONS SHALL GOVERN THIS PROJECT ACCORDING TO THE FOLLOWING ORDER:
 1. ADDENDA, WITH THOSE OF A LATER DATE HAVING PRECEDENCE OVER THOSE OF AN EARLIER DATE.
 2. LANDSCAPE SPECIFICATIONS.
 3. PLAN DRAWINGS.
 4. PLANT / MATERIAL SCHEDULES.
 5. CITY STANDARD SPECIFICATIONS AND DETAILS.
 6. MnDOT STANDARD SPECIFICATIONS FOR CONSTRUCTION, LATEST EDITION.



1 OVERALL LANDSCAPE PLAN
L1



3890 PHEASANT RIDGE DR NE
SUITE 100
BLAINE, MN 55449
TEL 763.489.7900
FAX 763.489.7959
CARLSONMCCAIN.COM

I hereby certify that this plan, specification or report was prepared by me or under my direct supervision and that I am a duly Licensed Landscape Architect under the laws of the State of Minnesota

Print Name: Ryan J. Ruttger, RLA
Signature: *[Signature]*
Date: 9/23/21 License #: 56346

Drawn: RJR
Designed: RJR
Date: 9/23/21

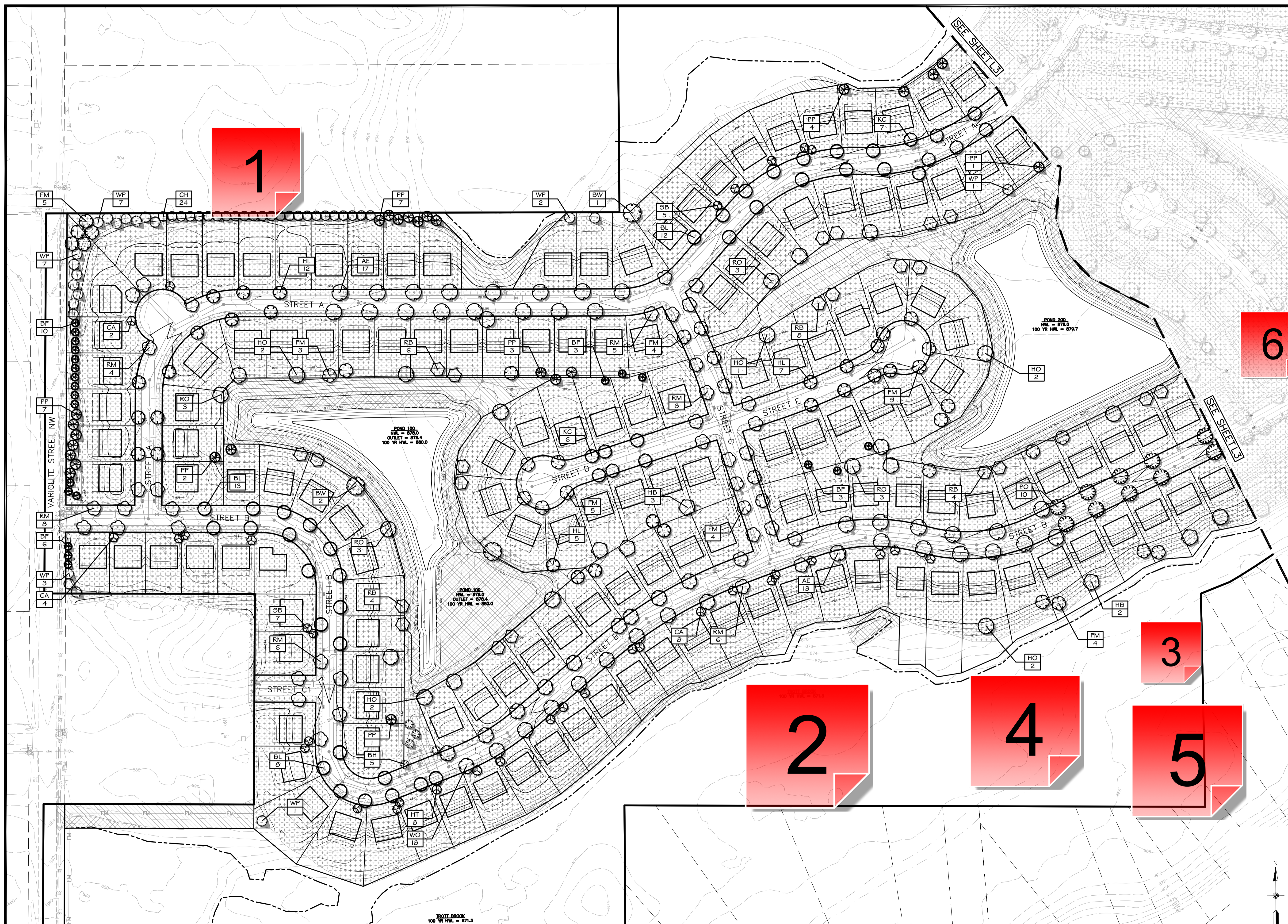
Revisions:
1.

SOTARRA, LLC
(TEG LAND HOLDINGS, LLC.)
1660 Hwy 100 South, Suite 400
St. Louis Park, Minnesota 55416

TROTT BROOK CROSSING
Ramsey, Minnesota

PRELIMINARY LANDSCAPE PLAN

L1 of 4



1

6

3

2

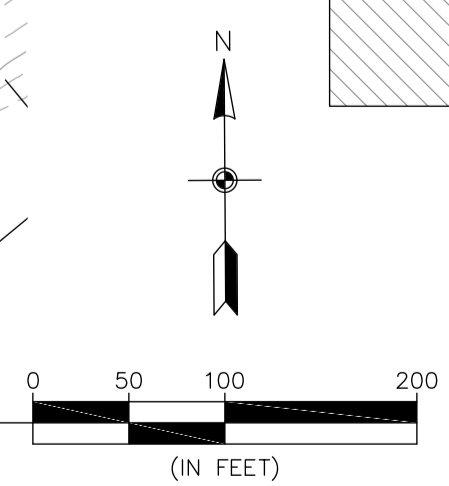
4

5

LANDSCAPE KEY

TREES	CODE	COMMON NAME
	RM	Northwood Red Maple
	FM	Sienna Glen Maple
	RB	River Birch Multi-Trunk
	HB	Common Hackberry
	HL	Northern Acclaim Thornless Honey Locust
	KC	Kentucky Coffeetree
	WO	Swamp White Oak
	PO	Northern Pin Oak
	RO	Red Oak
	HO	Heritage Oak
	BW	Black Willow
	BL	Boulevard Linden
	AE	American Elm
CONIFEROUS TREES	CODE	COMMON NAME
	BF	Balsam Fir
	BH	Black Hills Spruce
	PP	Ponderosa Pine
	WP	White Pine
	CH	Canadian Hemlock
ORNAMENTAL TREES	CODE	COMMON NAME
	SB	Autumn Brilliance Serviceberry
	HT	Thornless Hawthorn
	CA	Prairifire Crabapple
	JL	Japanese Tree Lilac
GROUND COVERS	CODE	COMMON NAME
	TI	MnDOT Seed Mix 25-151
	TII	MnDOT Seed Mix 33-261
	TIII	MnDOT Seed Mix 32-241
	TIV	MnDOT Seed Mix 35-241

1 LANDSCAPE PLAN ENLARGEMENT
L2



1 - Density Transitioning Requirements

Created by: Chris Anderson
On: 10/08/2021 09:57 AM

Provide a 45 foot wide corridor (held in common ownership, typically done as an outlot owned by HOA) with 8 overstory trees, 8 evergreen trees, and 8 ornamental trees per 100 feet of impacted property OR provide a 35 foot wide corridor WITH a berm and 4 overstory trees, 4 evergreen trees, and 4 ornamental trees per every 100 feet of impacted property.

Additional plantings are required along this boundary. They should be in groupings and/or staggered rows.

----- 0 Replies -----

2 - Landscape Requirements for R-1 Residential (MUSA) - 80 District

Created by: Chris Anderson
On: 10/08/2021 10:14 AM

Each lot is to receive two (2) front yard trees, one (or both if there's space) can be placed in the boulevard and the other somewhere in front yard.

For the lots on cul-de-sac bulbs, where space is more limited, consideration may be given to a rear yard planting.

Revise plan accordingly.

----- 0 Replies -----

3 - Sod

Created by: Chris Anderson
On: 10/08/2021 10:17 AM

Sod is required in all boulevards. Where there is no sidewalk, sod is required within 10 feet of back of curb.

----- 0 Replies -----

4 - Topsoil

Created by: Chris Anderson
On: 10/08/2021 10:18 AM

All disturbed areas not otherwise improved with impervious surfacing (and stormwater ponds) shall receive 4 inches of topsoil. Topsoil shall not contain more than 35% sand.

----- 0 Replies -----

5 - Irrigation

Created by: Chris Anderson
On: 10/08/2021 10:19 AM

Should irrigation systems be installed, they must be equipped with a rain sensor and some form of water efficient technologies, such as a smart controller.

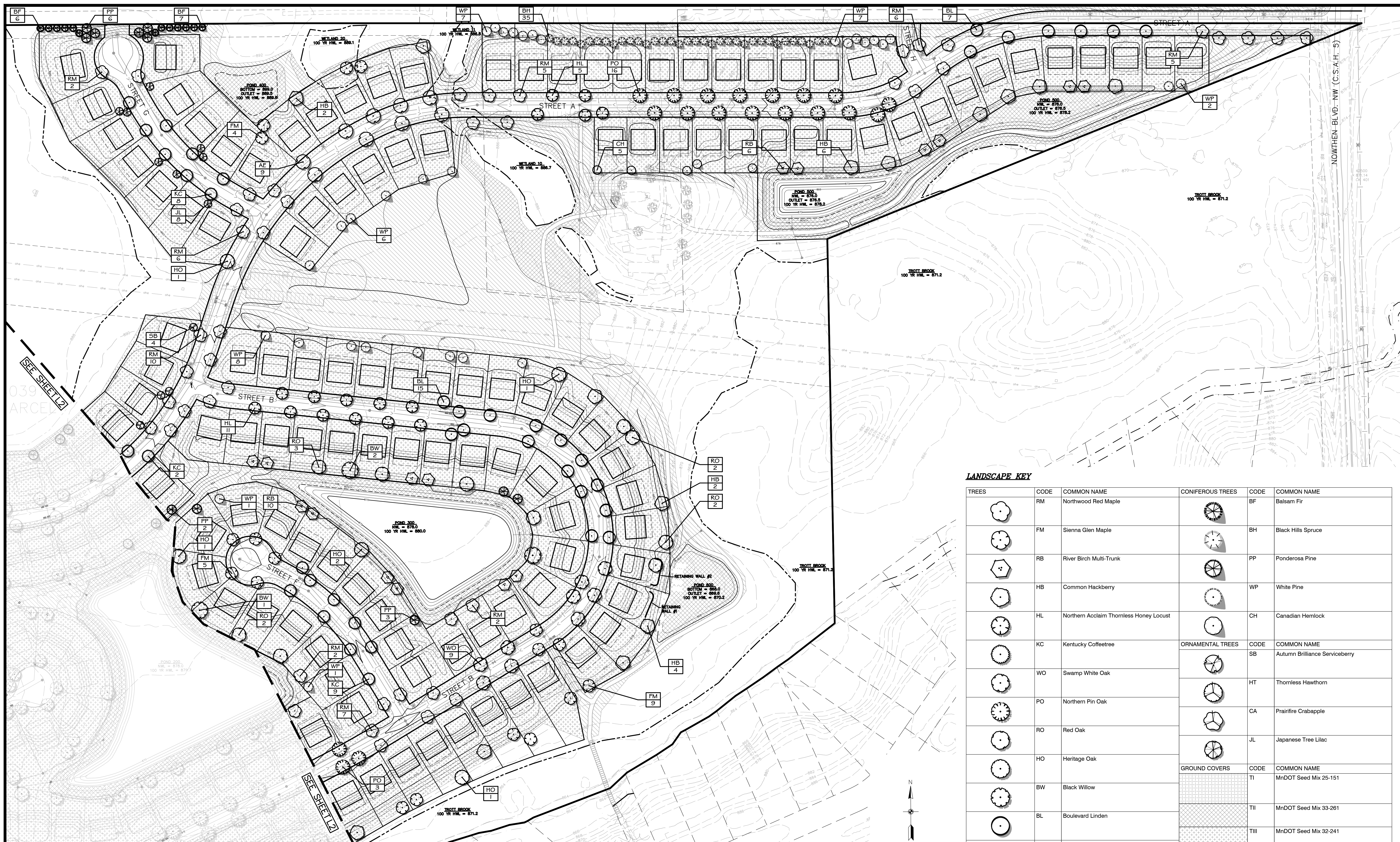
----- 0 Replies -----

6 - Plant Schedule

Created by: Chris Anderson
On: 10/08/2021 10:21 AM

Any modification to plant species requires approval of city prior to installation.

----- 0 Replies -----



SEE SHEET L2

1 LANDSCAPE PLAN ENLARGEMENT
L3

LANDSCAPE KEY

TREES	CODE	COMMON NAME	CONIFEROUS TREES	CODE	COMMON NAME
	RM	Northwood Red Maple		BF	Balsam Fir
	FM	Sienna Glen Maple		BH	Black Hills Spruce
	RB	River Birch Multi-Trunk		PP	Ponderosa Pine
	HB	Common Hackberry		WP	White Pine
	HL	Northern Acclaim Thornless Honey Locust		CH	Canadian Hemlock
	KC	Kentucky Coffeetree	ORNAMENTAL TREES		
	WO	Swamp White Oak		SB	Autumn Brilliance Serviceberry
	PO	Northern Pin Oak		HT	Thornless Hawthorn
	RO	Red Oak		CA	Prairifire Crabapple
	HO	Heritage Oak		JL	Japanese Tree Lilac
	BW	Black Willow	GROUND COVERS		
	BL	Boulevard Linden		TI	MnDOT Seed Mix 25-151
	AE	American Elm		TII	MnDOT Seed Mix 33-261
				TIII	MnDOT Seed Mix 32-241
				TIV	MnDOT Seed Mix 35-241

CARLSON McCAIN
ENGINEERING SURVEYING ENVIRONMENTAL
3890 PHEASANT RIDGE DR NE
SUITE 100
BLAINE, MN 55449
TEL 763.489.7900
FAX 763.489.7959
CARLSONMCCAIN.COM

I hereby certify that this plan, specification or report was prepared by me or under my direct supervision and that I am a duly Licensed Landscape Architect under the laws of the State of Minnesota
Date: 9/23/21 License #: 56346

Print Name: Ryan J. Ruttger, RLA
Signature:
Date: 9/23/21 License #: 56346

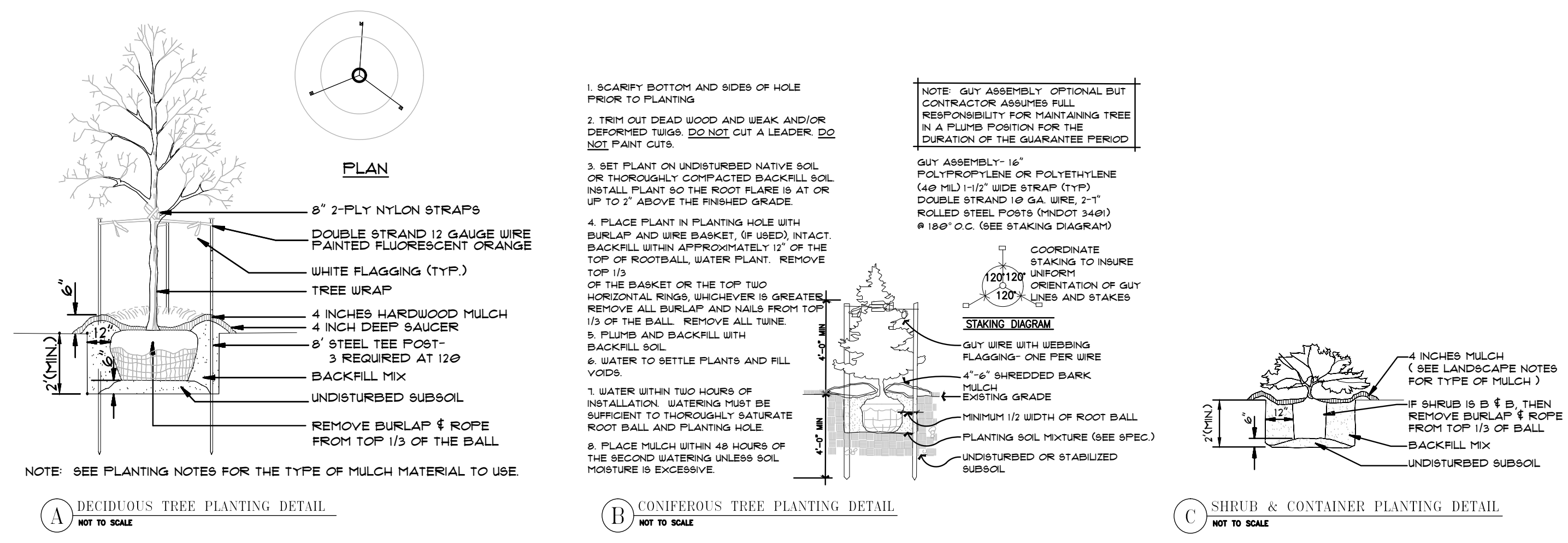
Drawn: RJR
Designed: RJR
Date: 9/23/21

Revisions:
1.

SOTARRA, LLC
(TEG LAND HOLDINGS, LLC.)
1660 Hwy 100 South, Suite 400
St. Louis Park, Minnesota 55416

TROTT BROOK CROSSING
Ramsey, Minnesota

PRELIMINARY LANDSCAPE PLAN



LANDSCAPE SPECIFICATIONS

- TREE PROTECTION.** ALL TREES NOT SPECIFICALLY NOTED OR MARKED ON SITE FOR REMOVAL SHALL REMAIN PROTECTED AND UNDISTURBED DURING CONSTRUCTION. TREE PROTECTION SHALL EXTEND TO THE DRIP LINE, WITHIN WHICH NO CONSTRUCTION ACTIVITY, MATERIAL STORAGE, OR VEHICLE PARKING SHALL BE PERMITTED. TREE PROTECTION FENCING SHALL BE ERRECTED PRIOR TO CONSTRUCTION START PER PLANS OR AS DIRECTED BY OWNER/LANDSCAPE ARCHITECT AND SHALL CONSIST OF 4' TALL HEAVY DUTY ORANGE CONSTRUCTION FENCING WITH 6" STEEL FENCE POSTS SPACED 6' O.C. MAX.
- EROSION CONTROL.** REFER TO CIVIL PLAN SHEETS FOR STORMWATER POLLUTION PREVENTION PLAN (SWPPP), AND TEMPORARY AND PERMANENT STORMWATER BMPs, INCLUDING SILT FENCE, BIO-RILLS, INLET PROTECTION, EROSION CONTROL BLANKETING, DUST CONTROL, SWEEPING AND ROCK CONSTRUCTION ENTRANCE. ALL DISTURBED AREAS SHALL RECEIVE PERMANENT STABILIZATION IN ACCORDANCE WITH THE LANDSCAPE PLAN WITHIN 7 DAYS AFTER CONSTRUCTION ACTIVITY IN THE DISTURBED AREA HAS CEASED. IN THE EVENT PERMANENT STABILIZATION CANNOT BE IMPLEMENTED WITHIN 7 DAYS, TEMPORARY STABILIZATION BMPs MUST BE IMPLEMENTED WITHIN 7 DAYS USING.
- CLEARING AND GRUBBING.** CONTRACTOR SHALL BE RESPONSIBLE FOR CLEARING AND GRUBBING ALL AREAS INDICATED AS BEING DISTURBED OR OTHERWISE SHOWN ON PLANS. CLEARING AND GRUBBING SHALL INCLUDE REMOVAL AND DISPOSAL OF ALL TREES, STUMPS, BRUSH, GRASS, ROOTS AND OTHER ORGANIC MATERIAL AT AN APPROVED OFF-SITE DISPOSAL LOCATION.
- SOIL PREPARATION.** REFER TO GEOTECHNICAL REPORT FOR ANY REQUIRED SOIL CORRECTIONS, AMENDMENTS OR ADDITIONAL INFORMATION (IF APPLICABLE). EXISTING TOPSOIL SHALL BE STRIPPED FROM ALL DISTURBED AREAS AND STOCKPILED IN AN APPROVED LOCATION FOR RE-SPREAD. ALL AREAS WHERE SOIL HAS BEEN COMPACTED BY CONSTRUCTION ACTIVITY AND THAT ARE INDICATED TO BE SODDED, SEEDED OR PLANTING BED SHALL BE DE-COMPACTED TO A MINIMUM DEPTH OF 12 INCHES BY SOIL RIPPING, TILLING OR OTHER APPROVED SOIL LOOSENING METHOD.
- TOPSOIL MATERIAL.** ALL EXISTING, AMENDED OR IMPORTED TOPSOIL SHALL MEET THE REQUIREMENTS OF MNDOT TOPSOIL TYPE A. A MINIMUM 4 INCH DEPTH OF TOPSOIL SHALL BE PLACED ON ALL AREAS TO BE SODDED OR SEEDDED. A MINIMUM 12 INCH DEPTH OF TOPSOIL SHALL BE PLACED WITHIN ALL PLANTING BED AREAS. ALL TOPSOIL SHALL BE FINE GRADED, RAKED AND DRAGGED TO PROVIDE A SMOOTH, UNIFORM SURFACE. TOPSOIL GRADES SHALL BE WITHIN 1 FEET OF INDICATED FINISHED GRADE AND SHALL BE TRUE TO GRADIENTS SHOWN ON PLANS. REFER TO CIVIL PLAN SHEETS FOR FILTRATION BASIN SOIL REQUIREMENTS.
- SEEDING AND TURF ESTABLISHMENT.** CONTRACTOR SHALL OBTAIN OWNER/LANDSCAPE ARCHITECT'S APPROVAL OF FINAL GRADES AND TOPSOIL PREP PRIOR TO SEEDING. APPLY 12-12-12 GRANULAR STARTER FERTILIZER AT A RATE OF 250 LBS PER ACRE PRIOR TO SEEDING. SEEDS SHALL BE SOWN IN 2 PERPENDICULAR PASSES, EACH PASS AT ONE-HALF THE INDICATED RATE, VIA BROADCAST SPREADER, DROP SEEDER OR DRILL SEEDER. FOLLOWING SEED APPLICATION, INSTALL TYPE 3N EROSION CONTROL BLANKET ON ALL SLOPES GREATER THAN 4:1. IN ALL OTHER AREAS, APPLY HYDROMULCH COVER (MUST BE A SEPARATE OPERATION FROM SEEDING) AT A TARGETED DRY WEIGHT RATE OF 3500 LBS PER ACRE. SOIL SHALL BE KEPT MOIST DURING ESTABLISHMENT WITH ADDITIONAL RE-SEEDING AS NECESSARY TO ACHIEVE A HEALTHY, UNIFORM STAND OF GRASS, FREE OF WEEDS AND WITH COVERAGE EXCEEDING 75% IN ANY 10'x10' AREA PRIOR TO FINAL ACCEPTANCE.
- SODDING.** CONTRACTOR SHALL OBTAIN OWNER/LANDSCAPE ARCHITECT'S APPROVAL OF FINAL GRADES AND TOPSOIL PREP PRIOR TO SODDING. APPLY 12-12-12 GRANULAR STARTER FERTILIZER AT A RATE OF 250 LBS PER ACRE PRIOR TO SODDING AND ROLL TOPSOIL TO CREATE A UNIFORM SURFACE FOR LAYING SOD. SOD SHALL NOT BE CUT MORE THAN 24-HOURS IN ADVANCE OF INSTALLATION. CONTRACTOR SHALL KEEP SOD MOIST FOR A MINIMUM OF 30 DAYS AND SHALL BE RESPONSIBLE FOR MAINTAINING THE SOD UNTIL FINAL ACCEPTANCE.
- PLANT MATERIAL.** ALL PLANTING STOCK SHALL CONFORM TO THE "AMERICAN STANDARD FOR NURSERY STOCK," ANSI-Z60, LATEST EDITION, OF THE AMERICAN ASSOCIATION OF NURSERMEN, INC. AND SHALL CONSTITUTE MINIMUM QUALITY REQUIREMENTS FOR PLANT MATERIALS. OWNER/LANDSCAPE ARCHITECT RESERVE THE RIGHT TO REJECT ANY PLANTS WHICH ARE DEEMED UNSATISFACTORY BEFORE, DURING, OR AFTER INSTALLATION. NO SUBSTITUTION OF PLANT MATERIAL SHALL BE ACCEPTED UNLESS APPROVED IN WRITING BY THE OWNER/LANDSCAPE ARCHITECT PRIOR TO INSTALLATION.
- PLANT MATERIAL SUBSTITUTIONS.** ALL REQUESTS FOR PLANT SUBSTITUTIONS SHALL BE MADE IN WRITING TO THE OWNER/LANDSCAPE ARCHITECT AND MUST BE APPROVED BY THE CITY.
- PLANT INSTALLATION AND ESTABLISHMENT.** REFER TO STANDARD PLANTING DETAILS. CONTRACTOR SHALL STAKE TREE LOCATIONS FOR APPROVAL BY OWNER/LANDSCAPE ARCHITECT PRIOR TO PLANTING. ANY PLANT MATERIAL WHICH DIES, TURNS BROWN, OR DEFOLIATES (PRIOR TO TOTAL ACCEPTANCE OF THE WORK) SHALL BE PROMPTLY REMOVED FROM THE SITE AND REPLACED WITH MATERIAL OF THE SAME SPECIES, QUANTITY, AND SIZE.
- MULCH MATERIAL.** DOUBLE SHREDDED HARDWOOD MULCH OR ROCK MULCH AS INDICATED ON PLANS. ALL MULCH SHALL BE CLEAN AND FREE OF NOXIOUS WEEDS, SOIL, OR OTHER DELETERIOUS MATERIAL, AND SHALL BE INSTALLED OVER A NON-WOVEN GEOTEXTILE FABRIC (INCIDENTAL) OR OTHER APPROVED WEED BARRIER TO A MINIMUM SETTLED DEPTH OF 4". MULCH SHALL BE HELD BACK FROM PLANT STEMS/TRUNKS A MINIMUM OF 3". WOOD MULCH SHALL BE PLACED AROUND INDIVIDUAL TREES TO A 4" MINIMUM DIAMETER. MULCH SHALL BE INSTALLED WITHIN 48-HOURS OF PLANT INSTALLATION.
- LANDSCAPE EDGING.** INSTALL LANDSCAPE EDGING BETWEEN ALL MULCH AREAS AND TURF. EDGING SHALL BE COMMERCIAL GRADE BLACK POLYETHYLENE OR VINYL EDGING, 0.1 INCH THICK BY 5 INCHES DEEP, V-LIPPED BOTTOM, HORIZONTALLY GROOVED, 1-INCH ROUND TOP, EXTRUDED IN STANDARD LENGTHS, WITH 9-INCH STEEL ANGLE STAKES.
- IRRIGATION DESIGN.** FURNISH AND INSTALL A COMPLETE UNDERGROUND IRRIGATION SYSTEM FROM APPROVED POINT(S)-OF-CONNECTION WITHIN THE SITE COVERING ALL TURF AND PLANTING AREAS AS SHOWN ON THE LANDSCAPE PLAN. INCLUDES FLOW/PRESSURE TESTING, PLANS WITH DESIGN CALCULATIONS, AS-BUILT DRAWINGS, LABOR, MATERIALS, EQUIPMENT, AND SERVICES FOR THE TESTING, ADJUSTING, RETESTING AND READJUSTING AS REQUIRED TO PLACE THE SYSTEM IN AN APPROVED OPERATING CONDITION. THE IRRIGATION SYSTEM SHALL INCLUDE THE DESIGN AND INSTALLATION OF THE FOLLOWING: PIPING, METER AND BACKFLOW ASSEMBLIES, SPRINKLER HEADS, CABINETS, VALVES AND VALVE BOXES, CONTROLLERS, CONTROL WIRING, FITTINGS, ELECTRICAL CONNECTIONS, QUICK-COUPERS, ALL OTHER NECESSARY ACCESSORIES, SYSTEM MANUALS, 1-YEAR MAINTENANCE PERIOD INCLUDING 1 FALL WINTERIZATION AND 1 SPRING START-UP. IRRIGATION PLANS TO BE PREPARED BY A QUALIFIED IRRIGATION DESIGNER AND SUBMITTED TO OWNER/LANDSCAPE ARCHITECT FOR APPROVAL.
- MAINTENANCE.** MAINTENANCE SHALL BEGIN IMMEDIATELY AFTER EACH PORTION OF THE WORK IS IN PLACE. PLANT MATERIAL SHALL BE PROTECTED AND MAINTAINED UNTIL THE INSTALLATION OF THE PLANTS IS COMPLETE. INSPECTION HAS BEEN MADE, AND PLANTINGS ARE ACCEPTED EXCLUSIVE OF THE GUARANTEE. MAINTENANCE SHALL INCLUDE MOWING, TRIMMING, WATERING, FERTILIZING, WEED AND PESTICIDE CONTROL, MULCHING, REMOVAL OF DEAD MATERIALS, RE-SETTING PLANTS TO PROPER GRADE AND KEEPING PLANTS IN A PLUMB POSITION. AFTER ACCEPTANCE, THE OWNER SHALL ASSUME MAINTENANCE RESPONSIBILITIES, HOWEVER, THE CONTRACTOR SHALL RETAIN RESPONSIBILITY FOR ALL PLANT MATERIAL THROUGH THE COMPLETION OF THE WARRANTY PERIOD.
- WATERING.** UPON ESTABLISHMENT OF SEED AND INSTALLATION OF PLANTS, CONTRACTOR SHALL MAINTAIN A WATERING SCHEDULE WHICH WILL THOROUGHLY WATER ALL PLANTS AND TURF AREAS A MINIMUM OF ONCE A WEEK. MORE FREQUENT WATERING MAY BE REQUIRED DURING PERIODS OF HOT, DRY WEATHER. CONTRACTOR SHALL MAKE THE NECESSARY ARRANGEMENTS FOR WATER IN THE ABSENCE OF PERMANENT IRRIGATION, TEMPORARY IRRIGATION, TREE WATERING BAGS, OR HAND-WATERING ARE ACCEPTABLE.
- NATIVE PLANT ESTABLISHMENT.** THIS PROJECT INCLUDES ONE OR MORE NATIVE PLANT SEED MIXES CONSISTING OF A VARIETY OF GRASSES, SEDGES AND FLOWERING FORBS. BECAUSE THESE PLANTS TYPICALLY HAVE A LONGER GERMINATION PERIOD, A COVER CROP SPECIES IS REQUIRED TO PROVIDE TEMPORARY COVER AND STABILIZATION. MAINTENANCE OF THESE SEEDED AREAS IS CRITICAL DURING THE FIRST SEVERAL YEARS TO ESTABLISH A SUCCESSFUL NATIVE PLANT COMMUNITY. SEEDED AREAS SHALL BE MOWED / WEED-WHIPPED TO A HEIGHT OF 6-10 INCHES IN MID-JULY AND EARLY SEPTEMBER DURING THE FIRST 2-3 YEARS OF ESTABLISHMENT. IN ADDITION, ALL NON-NATIVE SPECIES / WEEDS SHALL BE SPOT SPRAYED NO LESS THAN 3 TIMES A YEAR WITH HERBICIDE BY A LICENSED APPLICATOR. RE-SEEDING AS NECESSARY SHALL OCCUR IN MAY. A NATIVE PLANT COMMUNITY SHALL BE CONSIDERED SUCCESSFULLY ESTABLISHED NO SOONER THAT 3 YEARS AFTER INITIAL SEEDING - ONCE THE COVER CROP HAS BEEN SUFFICIENTLY REPLACED BY NATIVE PLANTS AND THE AREA IS FREE OF ALL NON-NATIVE AND INVASIVE SPECIES. AT THIS TIME, MAINTENANCE CAN BE REDUCED TO MOWING / WEED-WHIPPING TO A HEIGHT OF 6-10 INCHES ONCE A YEAR IN EARLY SEPTEMBER AND SPOT SPRAYING OF HERBACIDE ONLY AS NEEDED.
- FINAL ACCEPTANCE.** UPON SUBSTANTIAL COMPLETION OF THE WORK, CONTRACTOR SHALL REQUEST FINAL ACCEPTANCE OF THE WORK IN WRITING BY THE OWNER/LANDSCAPE ARCHITECT. IF ANY WORK IS FOUND TO BE INCOMPLETE OR UNSATISFACTORY IN THE OPINION OF THE OWNER/LANDSCAPE ARCHITECT, A WRITTEN PUNCH LIST WILL BE PREPARED LISTING ALL ITEMS THAT REQUIRE COMPLETING OR CORRECTING BEFORE FINAL ACCEPTANCE.
- WARRANTY.** ALL PLANTS, MATERIALS AND WORKSMANSHIP SHALL BE GUARANTEED FOR ONE YEAR FROM THE DATE OF FINAL ACCEPTANCE, UNLESS OTHERWISE SPECIFIED. THE GUARANTEE SHALL COVER THE FULL COST OF REPLACEMENT INCLUDING LABOR AND MATERIAL.

PLANT SCHEDULE						
TREES	CODE	QTY	BOTANICAL NAME	COMMON NAME	SIZE	CONTAINER
	RM	82	Acer rubrum 'Northwood'	Northwood Red Maple	2' Cal.	B&B
	FM	52	Acer x freemanii 'Sienna'	Sienna Glen Maple	2' Cal.	B&B
	RB	38	Betula nigra Clump Form, 2' Cal Equivalent	River Birch Multi-Trunk	7' Ht.	B&B
	HB	19	Celtis occidentalis	Common Hackberry	2' Cal.	B&B
	HL	40	Gleditsia triacanthos inermis 'Harve'	Northern Acclaim Thornless Honey Locust	2' Cal.	B&B
	KC	32	Gymnocladus dioica 'Espresso'	Kentucky Coffeetree	2' Cal.	B&B
	WO	27	Quercus bicolor	Swamp White Oak	2' Cal.	B&B
	PO	29	Quercus ellipsoidalis	Northern Pin Oak	2' Cal.	B&B
	RO	21	Quercus rubra	Red Oak	2' Cal.	B&B
	HO	15	Quercus x macdanieli 'Clemons' TM	Heritage Oak	2' Cal.	B&B
	BW	6	Salix nigra	Black Willow	2' Cal.	B&B
	BL	55	Tilia americana 'Boulevard'	Boulevard Linden	2' Cal.	B&B
	AE	39	Ulmus americana 'Princeton'	American Elm	2' Cal.	B&B
CONIFEROUS TREES	CODE	QTY	BOTANICAL NAME	COMMON NAME	SIZE	CONTAINER
	BF	35	Abies balsamea	Balsam Fir	6' Ht.	B&B
	BH	40	Picea glauca densata	Black Hills Spruce	6' Ht.	B&B
	PP	36	Pinus ponderosa	Ponderosa Pine	6' Ht.	B&B
	WP	53	Pinus strobus	White Pine	6' Ht.	B&B
	CH	29	Tsuga canadensis	Canadian Hemlock	6' Ht.	B&B
ORNAMENTAL TREES	CODE	QTY	BOTANICAL NAME	COMMON NAME	SIZE	CONTAINER
	SB	16	Amelanchier x grandiflora 'Autumn Brilliance' Clump Form, 1.5' Cal Equivalent	Autumn Brilliance Serviceberry	7' Ht.	B&B
	HT	8	Crataegus crus-galli 'Inermis'	Thornless Hawthorn	1.5' Cal.	B&B
	CA	14	Malus x 'Prairifire' Red Flowers	Prairifire Crabapple	1.5' Cal.	B&B
	JL	8	Syringa reticulata White Flowers	Japanese Tree Lilac	1.5' Cal.	B&B
GROUND COVERS	CODE	QTY	BOTANICAL NAME	COMMON NAME	SIZE	CONTAINER
	TI	49,980 sf	Type I - Turf Seed Mix Refer to notes for acceptable seeding methods. Seeding Rate 180 lb/ac	MnDOT Seed Mix 25-151	seed	
	TII	416,276 sf	Type II - Stormwater Seed Mix Refer to notes for acceptable seeding methods. Seeding Rate 52.0 lb/ac	MnDOT Seed Mix 33-261	seed	
	TIII	3,616,206 sf	Type III - Native Construction Seed Mix Refer to notes for acceptable seeding methods. Seeding Rate 57.0 lb/ac	MnDOT Seed Mix 32-241	seed	
	TIV	560,108 sf	Type IV - Buffer Seed Mix Refer to notes for acceptable seeding methods. Seeding Rate 55.0 lb/ac	MnDOT Seed Mix 35-241	seed	

CARLSON McCAIN
ENGINEERING SURVEYING ENVIRONMENTAL
3890 PHEASANT RIDGE DR NE SUITE 100
BLAINE, MN 55449
TEL 763.489.7900
FAX 763.489.7959
CARLSONMCCAIN.COM

I hereby certify that this plan, specification or report was prepared by me or under my direct supervision and that I am a duly Licensed Landscape Architect under the laws of the State of Minnesota
Print Name: Ryan J. Rutiger, RLA
Signature:
Date: 9/23/21 License #: 56346
Drawn: RJR
Designed: RJR
Date: 9/23/21

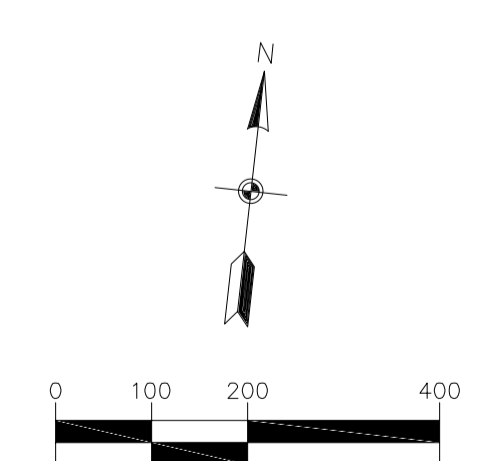
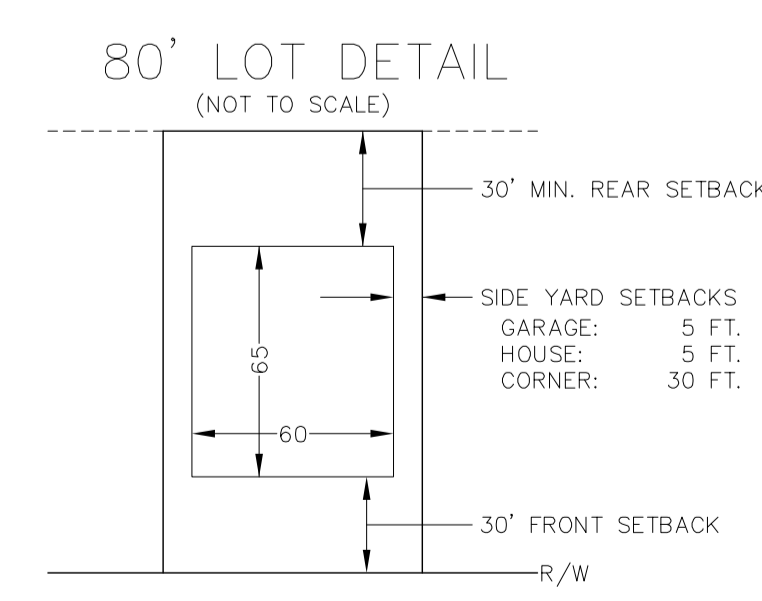
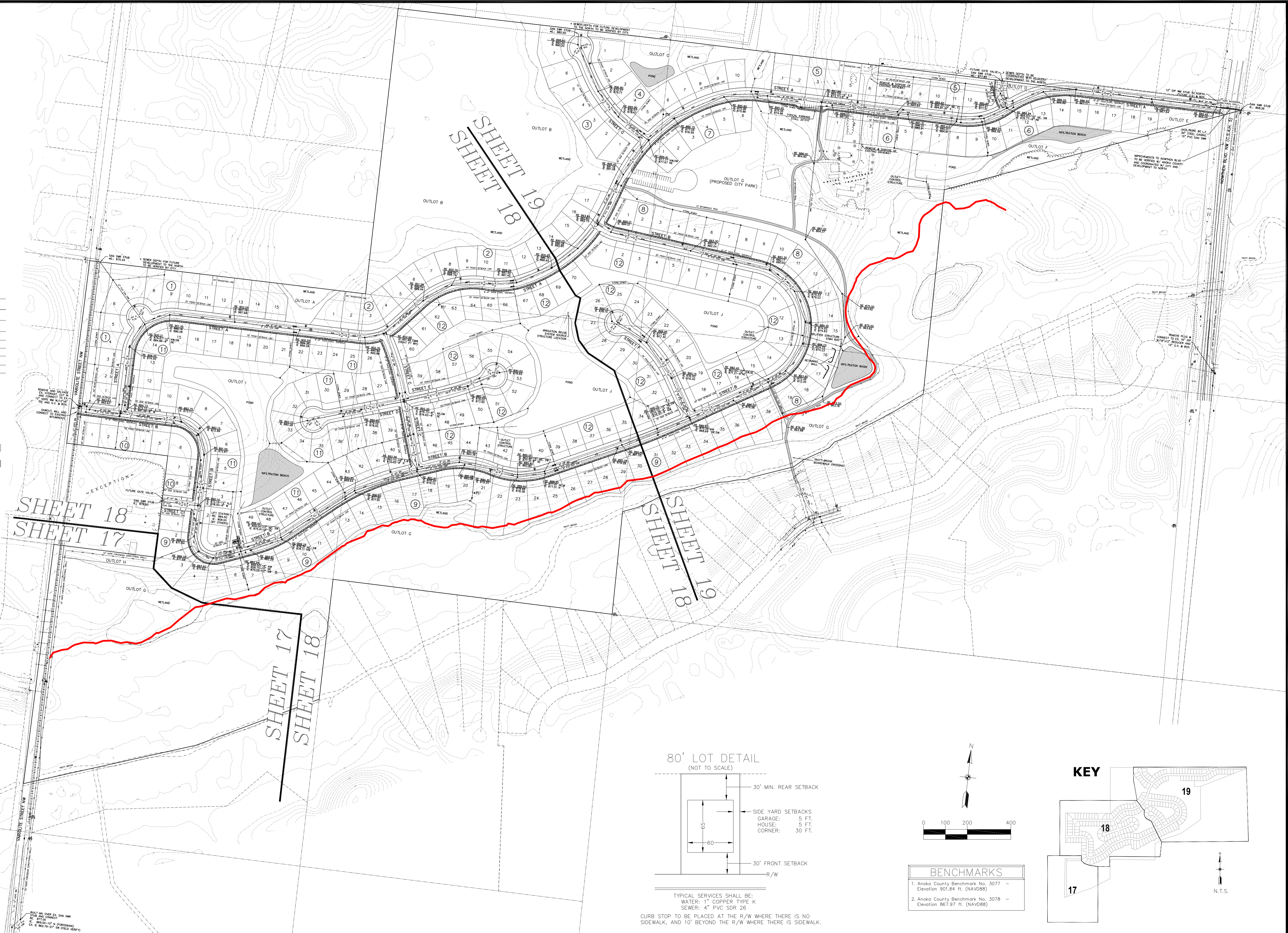
SOTARRA, LLC
(TEG LAND HOLDINGS, LLC.)
1660 Hwy 100 South, Suite 400
St. Louis Park, Minnesota 55416

TROTT BROOK CROSSING
Ramsey, Minnesota

PRELIMINARY LANDSCAPE PLAN
L4 of 4

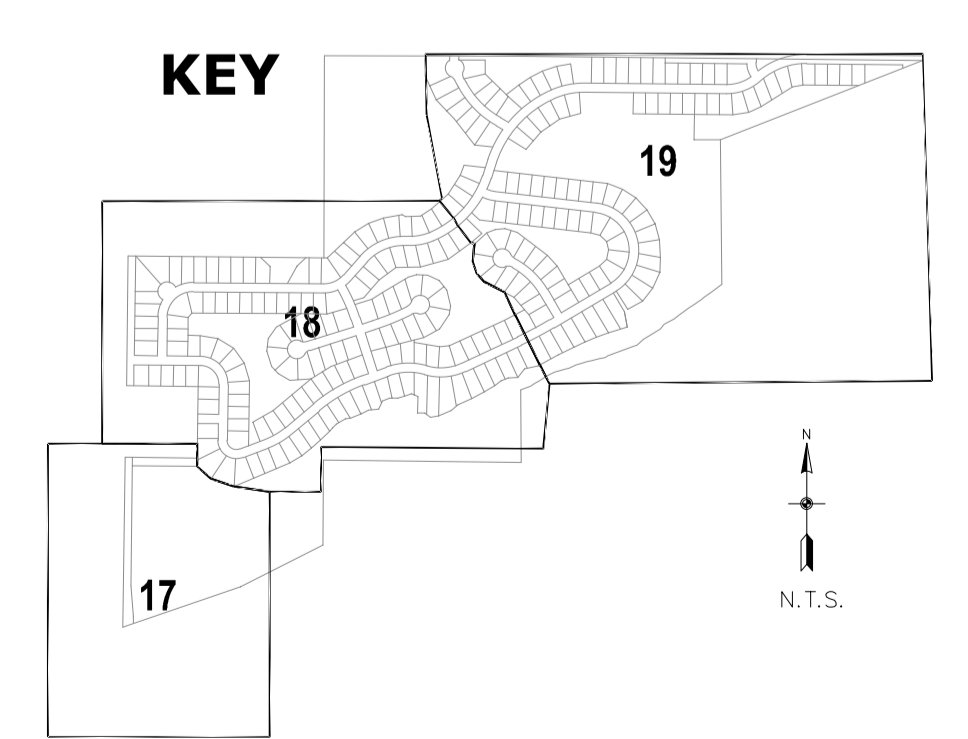
SITE PLAN LEGEND

EXISTING	PROPOSED
LIGHT POLE	★
SANITARY MANHOLE	●
MISCELLANEOUS SIGN	○
EXISTING SPOT ELEVATION	0.0000.0
EXISTING TREE	🌳
TELEVISION BOX	TV
FIRE HYDRANT	🔥
FLUSHING HYDRANT	⊕
GATE VALVE	⊗
CLEANOUT	⊙
ELECTRIC BOX	⊕
GAS METER	⊗
CATCH BASIN	⊙
RAIN GUARDIAN	⊕
ELECTRIC METER	⊗
TELEPHONE BOX	⊕
UTILITY POLE	⊙
FLARED END SECTION	▲
STORM MANHOLE	●
SERVICE	○
SOIL BORING/TEST HOLE	⊕
RETAINING WALL	—
WATERMAIN	—
SANITARY SEWER	—
FORCEMAIN	—
STORM SEWER	—
PROPERTY LINE	—
SETBACK LINE	—
CURB	—
WETLAND	—
DITCH	—
UNDERGROUND TELEPHONE	—
UNDERGROUND ELECTRIC	—
UNDERGROUND GAS	—
UNDERGROUND FIBEROPTIC	—
FENCE	—
OVERHEAD ELECTRIC	—
CONCRETE SURFACE	—
BITUMINOUS SURFACE	—



BENCHMARKS

1. Anoka County Benchmark No. 3077 — Elevation 901.84 ft. (NAVD88)
2. Anoka County Benchmark No. 3078 — Elevation 867.97 ft. (NAVD88)



TYPICAL SERVICES SHALL BE:
WATER: 1" COPPER TYPE K
SEWER: 4" PVC SDR 26

CURB STOP TO BE PLACED AT THE R/W WHERE THERE IS NO SIDEWALK, AND 10' BEYOND THE R/W WHERE THERE IS SIDEWALK.

CARLSON McCAIN
ENGINEERING SURVEYING ENVIRONMENTAL

3890 PHEASANT RIDGE DR NE
SUITE 100
BLAINE, MN 55449
TEL 763.489.7900
FAX 763.489.7959
CARLSONMCCAIN.COM

I hereby certify that this plan, specification or report was prepared by me or under my direct supervision and that I am a duly Licensed Professional Engineer under the laws of the State of Minnesota

Print Name: Brian J. Krystofak, P.E.
Signature: *Brian J. Krystofak*
Date: 9/23/21 License #: 25063

Drawn: JJO
Designed: BJK
Date: 9/23/21

Revisions:
1.

SOTARRA, LLC
(TEG LAND HOLDINGS, LLC.)
1660 Hwy 100 South, Suite 400
St. Louis Park, Minnesota 55416

TROTT BROOK CROSSING
Ramsey, Minnesota

PRELIMINARY SITE & UTILITY INDEX

Save Date: 09/23/21 | F:\Jobs\9461 - 9480\9461 - trott_brookcrossing\3d\engineering\prelim\plans\9461_site.dwg

TROTT BROOK CROSSING

TREE PRESERVATION PLAN

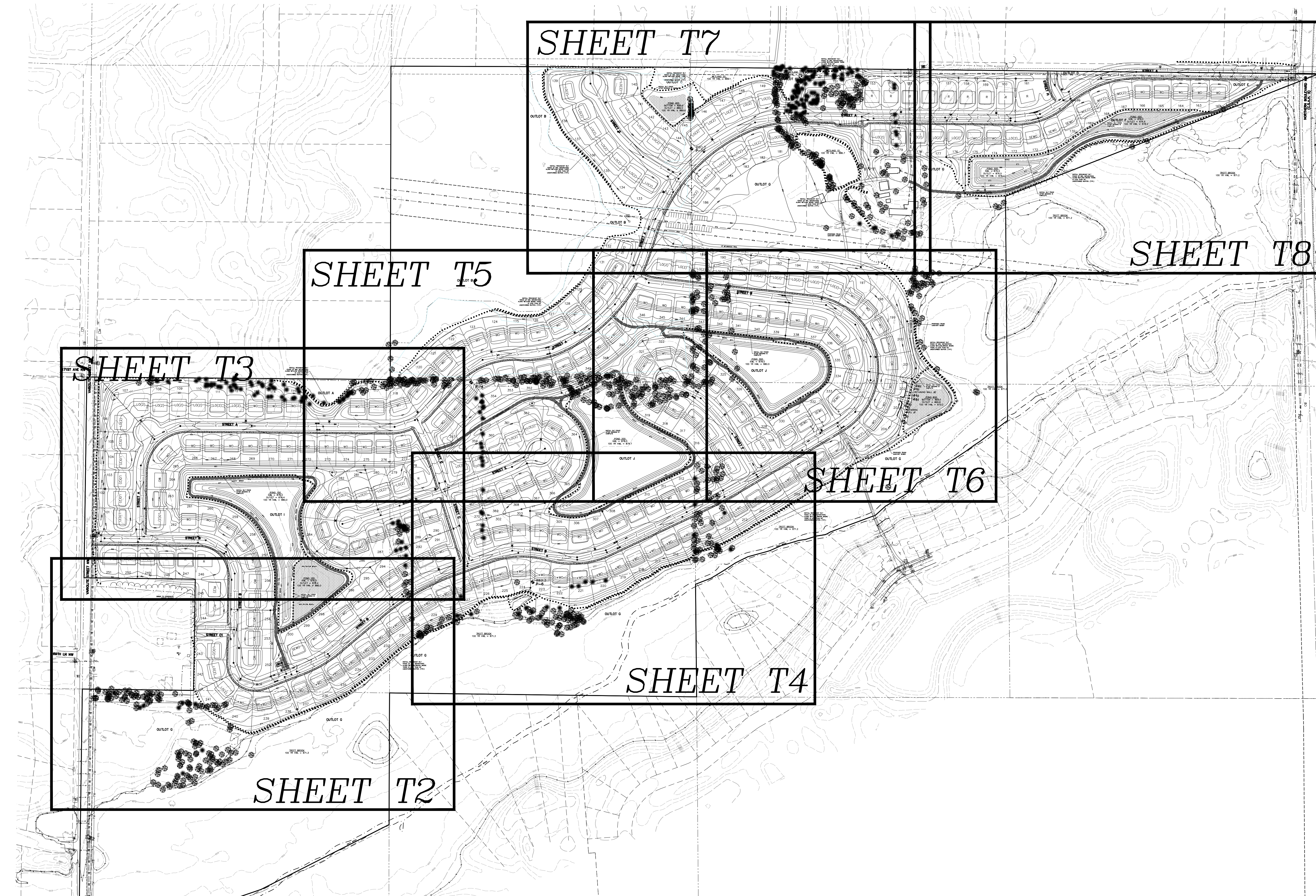
NOTE:

A PORTION OF THIS SITE INCLUDES COMMERCIAL TREES PLANTED AS INVENTORY FOR AN EXISTING TREE FARM BUSINESS. THESE COMMERCIAL TREES ARE REFERRED TO AS THE "PLANTED WOODLAND AREA" AS OPPOSED TO THE "NATURAL WOODLAND AREA" THAT INCLUDES ALL TREES NOT ASSOCIATED WITH THE TREE FARM BUSINESS.

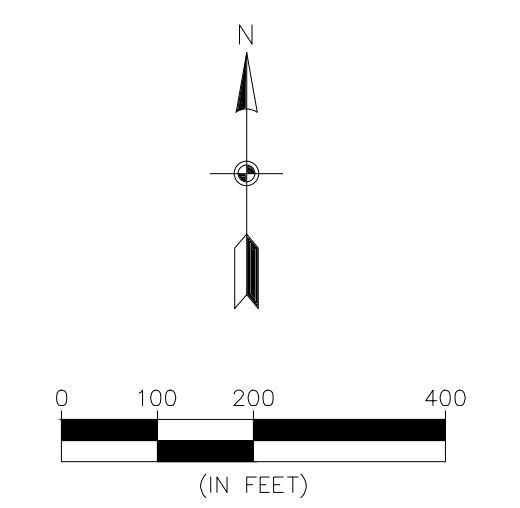
THIS TREE PRESERVATION PLAN AND INVENTORY INCLUDES ONLY THE SIGNIFICANT "NATURAL WOODLAND AREA" TREES INDIVIDUALLY SURVEYED BY KJOLHAUG ENVIRONMENTAL BETWEEN AUG 18 - SEPT 9, 2021.

THE "PLANTED WOODLAND AREA" TREES WERE DELINEATED AND SAMPLED BY KJOLHAUG ENVIRONMENTAL AS SHOWN IN THE FORESTER EXHIBIT ON SHEET T12. TREES TO BE HARVESTED FROM THE "PLANTED WOODLAND AREA", AS PART OF THE EXISTING TREE FARM BUSINESS, ARE EXEMPT FROM TREE PRESERVATION REQUIREMENTS. ANY TREES SAVED IN THE "PLANTED WOODLAND AREA" ARE IN ADDITION TO THE TREES LISTED IN THE TREE INVENTORY AND ARE NOT INCLUDED IN THE TREE PRESERVATION CALCULATIONS.

REFER TO TROTT BROOK TREE SURVEY MEMORANDUM PREPARED BY KJOLHAUG ENVIRONMENTAL, DATED SEPTEMBER 22, 2021 FOR ADDITIONAL INFORMATION.



	EXISTING	PROPOSED
PROPERTY LINE	---	---
EASEMENT LINE	---	---
CURB LINE	---	---
BITUMINOUS	---	---
CONCRETE	---	---
SANITARY SEWER	---	---
STORM SEWER	---	---
WATER MAIN	---	---
OVERHEAD UTILITY	---	---
STORM CATCH BASIN	---	---
STORM MANHOLE	---	---
OUTLET CONTROL STRUCTURE	---	---
MANHOLE	---	---
HYDRANT	---	---
GATE VALVE	---	---
TELEVISION BOX	---	---
TELEPHONE BOX	---	---
UTILITY POLE	---	---
RETAINING WALL	---	---
FENCE	---	---
10' CONTOUR	---	---
2' CONTOUR	---	---
FEMA FLOOD PLAIN	---	---
WETLAND LINE	---	---
SPOT ELEVATION	---	---
EMERGENCY OVERFLOW	---	---
SILT FENCE	---	---
TREE FENCE	---	---
GRADING LIMITS	---	---
TREELINE	---	---
SOIL BORING	---	---



BENCHMARKS	
1. Anoka County Benchmark No. 3077 - Elevation 901.84 ft. (NAVD88)	
2. Anoka County Benchmark No. 3078 - Elevation 867.97 ft. (NAVD88)	

CARLSON McCAIN
ENGINEERING SURVEYING ENVIRONMENTAL
3890 PHEASANT RIDGE DR NE SUITE 100 BLAINE, MN 55449 TEL 763.489.7900 FAX 763.489.7959 CARLSONMCCAIN.COM

I hereby certify that this plan, specification or report was prepared by me or under my direct supervision and that I am a duly Licensed Professional Engineer under the laws of the State of Minnesota

Print Name: Brian J. Krystoflak, P.E.
Signature: *Brian J. Krystoflak*
Date: 9/23/21 License #: 25063

Drawn: JJO
Designed: BJK
Date: 9/23/21

Revisions:
1.

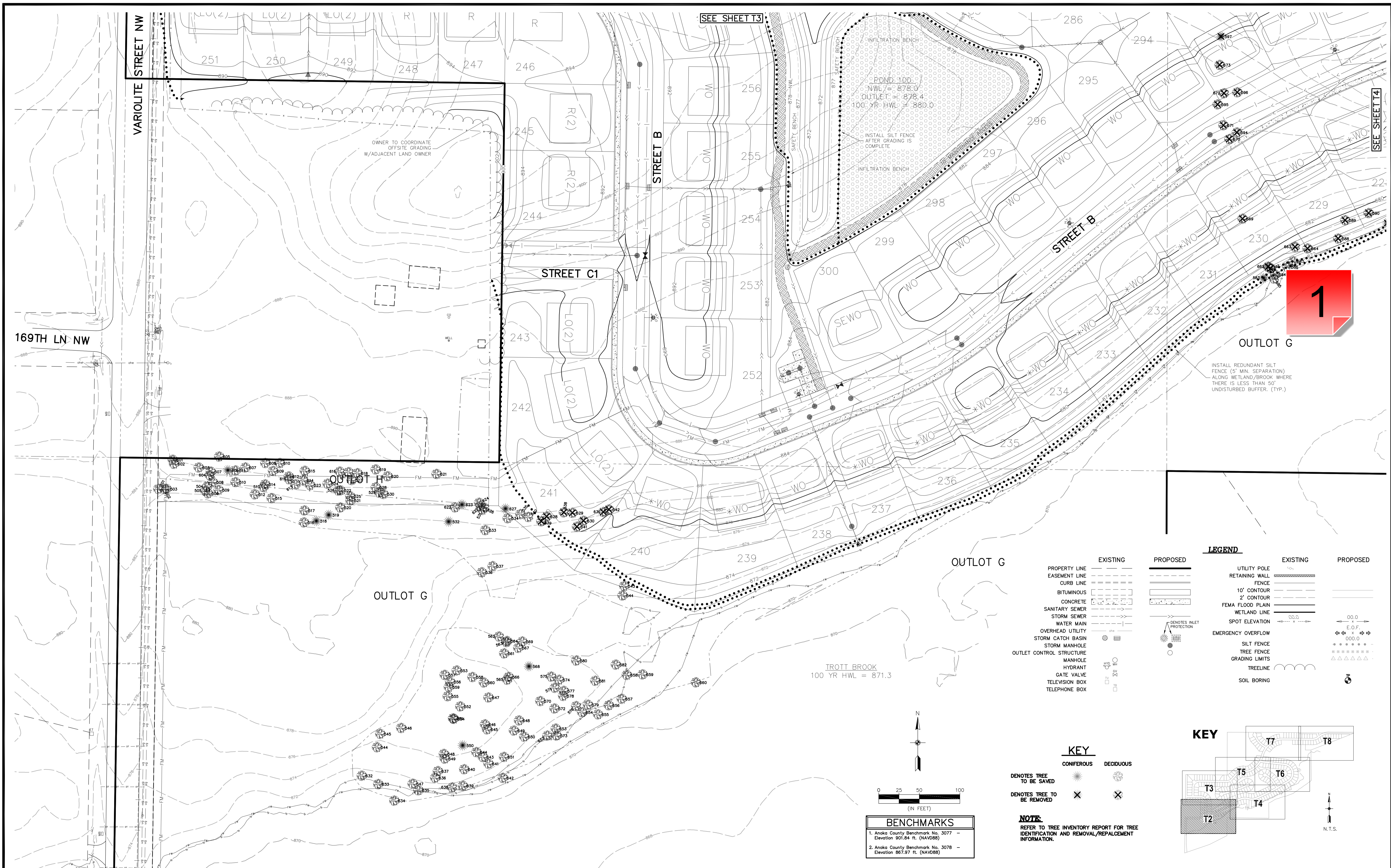
SOTARRA, LLC
(TEG LAND HOLDINGS, LLC.)
1660 Hwy 100 South, Suite 400
St. Louis Park, Minnesota 55416

TROTT BROOK CROSSING
Ramsey, Minnesota

TREE PRESERVATION PLAN

T1 of T12

Save Date: 09/23/21 F:\Jobs\9461 - 9480\9461 - trot brook\cadd\engineering\prelim\plans\9461_tree_plan.dwg



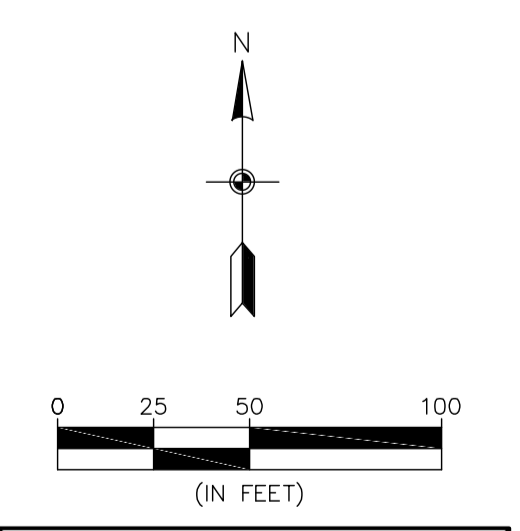
SEE SHEET T3

SEE SHEET T4

1

OUTLOT G
INSTALL REDUNDANT SILT FENCE (5' MIN. SEPARATION) ALONG WETLAND/BROOK WHERE THERE IS LESS THAN 50' UNDISTURBED BUFFER. (TYP.)

EXISTING		PROPOSED	
PROPERTY LINE	---	UTILITY POLE	---x---
EASEMENT LINE	---	RETAINING WALL	=====
CURB LINE	---	FENCE	-----x-----
BITUMINOUS	---	10' CONTOUR	-----
CONCRETE	---	2' CONTOUR	-----
SANITARY SEWER	---	FEMA FLOOD PLAIN	-----
STORM SEWER	---	WETLAND LINE	-----
WATER MAIN	---	SPOT ELEVATION	---x---
OVERHEAD UTILITY	---	E.O.F.	---x---
STORM CATCH BASIN	---	000.0	---x---
STORM MANHOLE	---	000.0	---x---
OUTLET CONTROL STRUCTURE	---	EMERGENCY OVERFLOW	---x---
MANHOLE	---	SILT FENCE	-----x-----
HYDRANT	---	TREE FENCE	-----x-----
GATE VALVE	---	GRADING LIMITS	-----x-----
TELEVISION BOX	---	TREELINE	-----x-----
TELEPHONE BOX	---	SOIL BORING	---x---



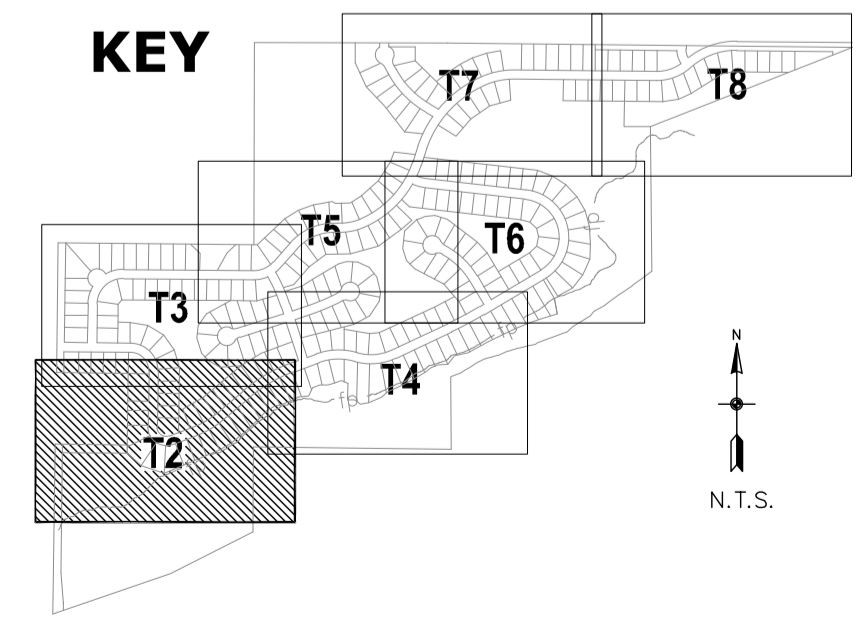
BENCHMARKS

- Anoka County Benchmark No. 3077 - Elevation 901.84 ft. (NAVD88)
- Anoka County Benchmark No. 3078 - Elevation 867.97 ft. (NAVD88)

KEY

CONIFEROUS	DECIDUOUS
DENOTES TREE TO BE SAVED	(Symbol)
DENOTES TREE TO BE REMOVED	(Symbol)

NOTE: REFER TO TREE INVENTORY REPORT FOR TREE IDENTIFICATION AND REMOVAL/REPLACEMENT INFORMATION.



CARLSON McCAIN
ENGINEERING SURVEYING ENVIRONMENTAL
3890 PHEASANT RIDGE DR NE SUITE 100 BLAINE, MN 55449 TEL 763.489.7900 FAX 763.489.7959 CARLSONMCCAIN.COM

I hereby certify that this plan, specification or report was prepared by me or under my direct supervision and that I am a duly Licensed Professional Engineer under the laws of the State of Minnesota.
Print Name: Brian J. Krystofiak, P.E.
Signature: *Brian J. Krystofiak*
Date: 9/23/21 License #: 25063
Drawn: JJO
Designed: BJK
Date: 9/23/21

Revisions: 1.
SOTARRA, LLC
(TEG LAND HOLDINGS, LLC.)
1660 Hwy 100 South, Suite 400
St. Louis Park, Minnesota 55416

TROTT BROOK CROSSING
Ramsey, Minnesota

TREE PRESERVATION PLAN

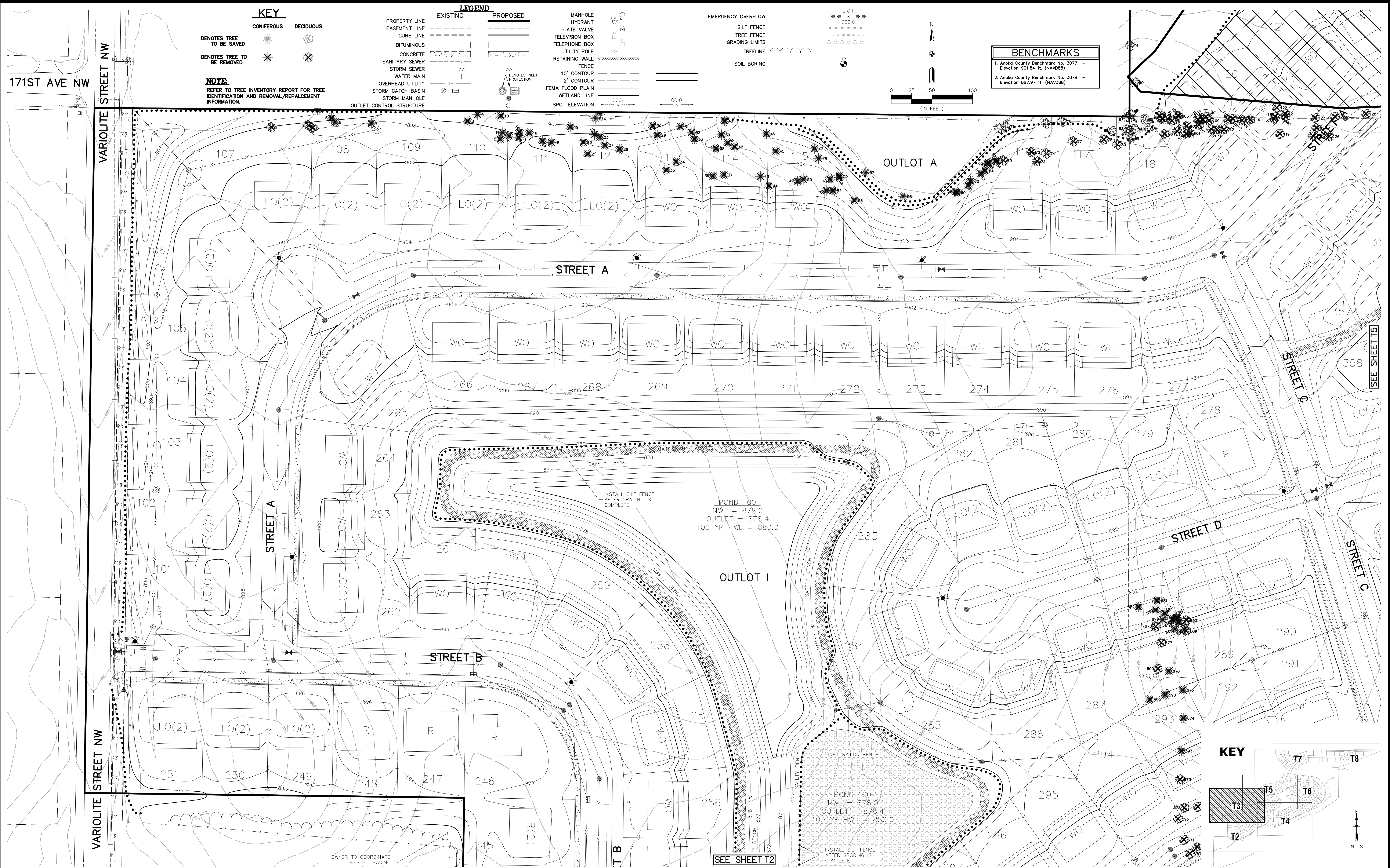
T2 of T12

1 - Tree Save Fencing

Created by: Chris Anderson
On: 10/08/2021 10:33 AM

Any tree save fencing, including silt fence, shall be installed no closer to a tree trunk than the tree's dripline. This is important to protect the soil/rooting area of trees being saved. This comment is applicable to all subsequent pages.

----- 0 Replies -----



CARLSON McCAIN
ENGINEERING SURVEYING ENVIRONMENTAL

3890 PHEASANT RIDGE DR NE
SUITE 100
BLAINE, MN 55449
TEL 763.489.7900
FAX 763.489.7959
CARLSONMCCAIN.COM

I hereby certify that this plan, specification or report was prepared by me or under my direct supervision and that I am a duly Licensed Professional Engineer under the laws of the State of Minnesota

Print Name: Brian J. Krystofak, P.E.
Signature: *Brian J. Krystofak*
Date: 9/23/21 License #: 25063

Drawn: JJO
Designed: BJK
Date: 9/23/21

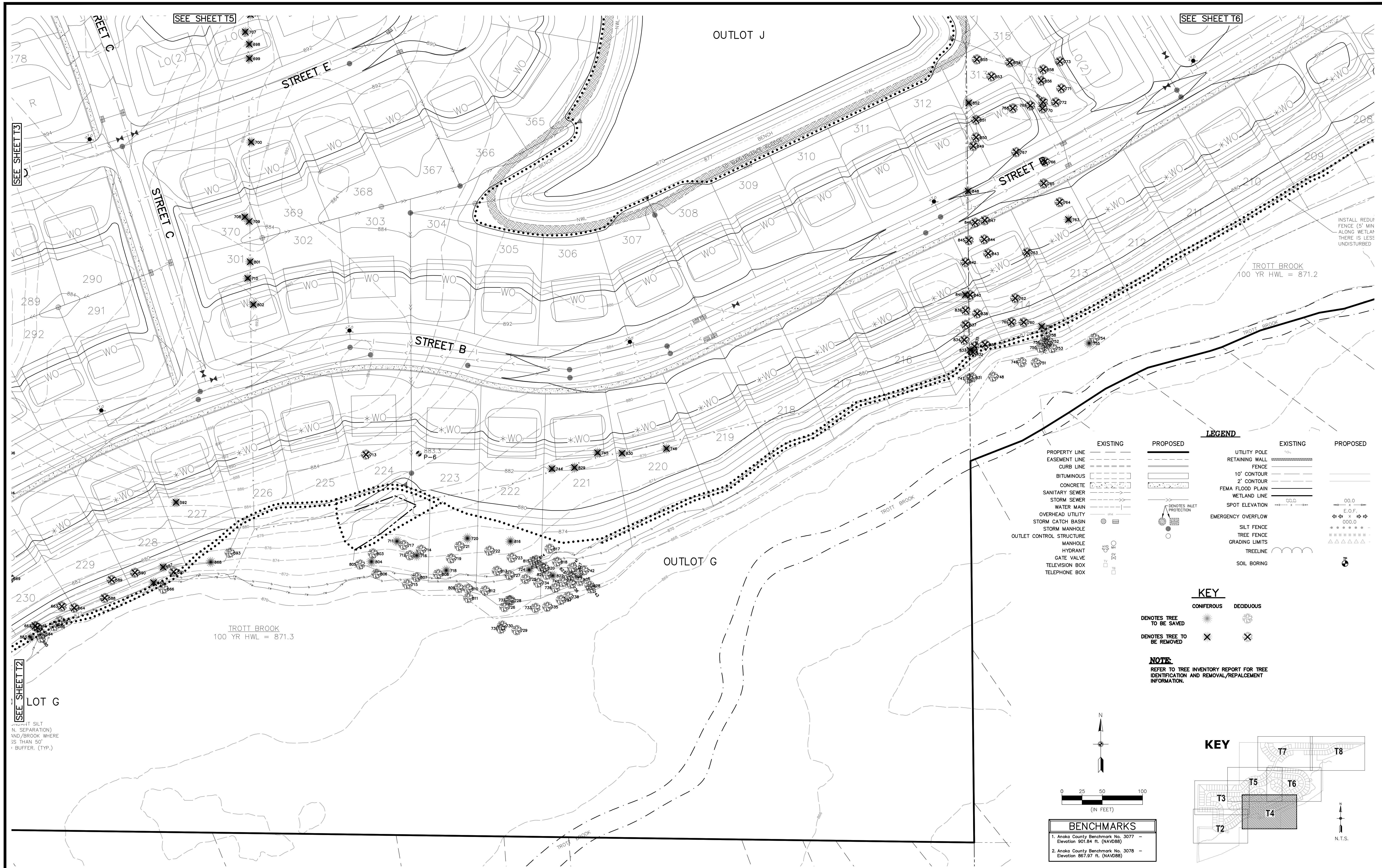
Revisions:
1.

SOTARRA, LLC
(TEG LAND HOLDINGS, LLC.)
1660 Hwy 100 South, Suite 400
St. Louis Park, Minnesota 55416

TROTT BROOK CROSSING
Ramsey, Minnesota

TREE PRESERVATION PLAN

T3 of T12
#9461



SEE SHEET T5

SEE SHEET T6

SEE SHEET T3

SEE SHEET T2

OUTLOT J

OUTLOT G

TROTT BROOK
100 YR HWL = 871.3

TROTT BROOK
100 YR HWL = 871.2

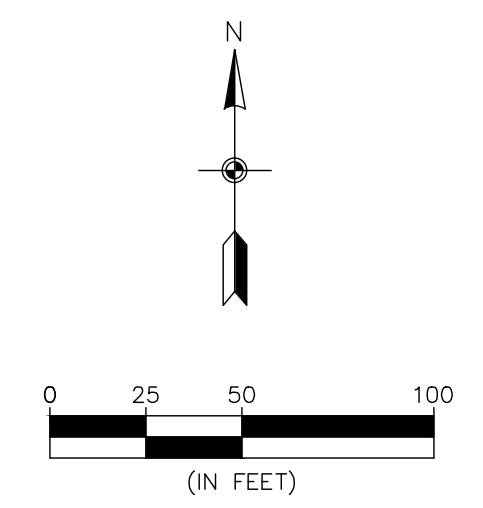
EXISTING		PROPOSED	
PROPERTY LINE	---	---	---
EASEMENT LINE	---	---	---
CURB LINE	---	---	---
BITUMINOUS	---	---	---
CONCRETE	---	---	---
SANITARY SEWER	---	---	---
WATER MAIN	---	---	---
OVERHEAD UTILITY	---	---	---
STORM CATCH BASIN	---	---	---
STORM MANHOLE	---	---	---
OUTLET CONTROL STRUCTURE	---	---	---
MANHOLE	---	---	---
HYDRANT	---	---	---
GATE VALVE	---	---	---
TELEVISION BOX	---	---	---
TELEPHONE BOX	---	---	---
UTILITY POLE	---	---	---
RETAINING WALL	---	---	---
FENCE	---	---	---
10' CONTOUR	---	---	---
2' CONTOUR	---	---	---
FEMA FLOOD PLAIN	---	---	---
WETLAND LINE	---	---	---
SPOT ELEVATION	---	---	---
EMERGENCY OVERFLOW	---	---	---
SILT FENCE	---	---	---
TREE FENCE	---	---	---
GRADING LIMITS	---	---	---
TREELINE	---	---	---
SOIL BORING	---	---	---

LEGEND

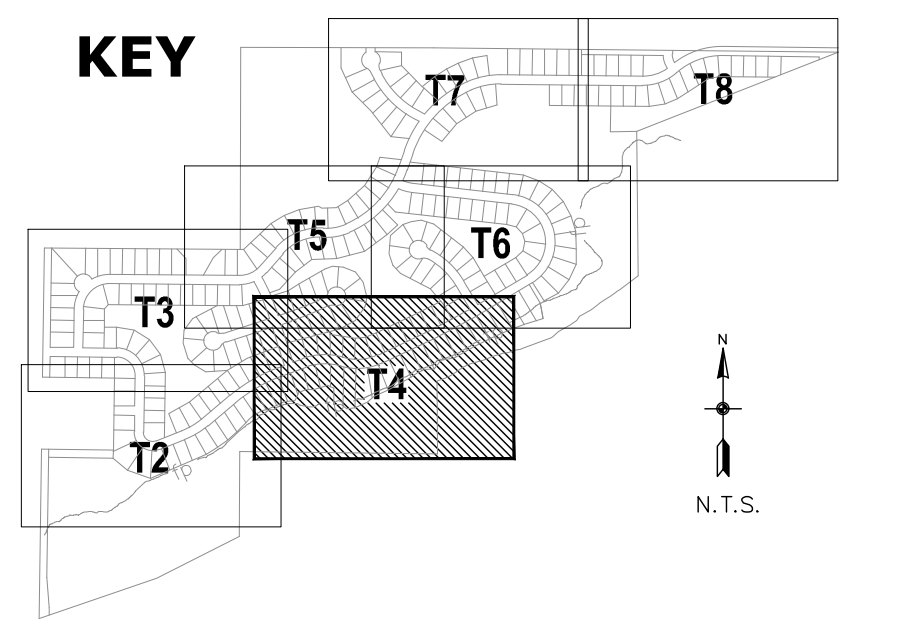
KEY

DENOTES TREE TO BE SAVED
 DENOTES TREE TO BE REMOVED

NOTE:
REFER TO TREE INVENTORY REPORT FOR TREE IDENTIFICATION AND REMOVAL/REPLACEMENT INFORMATION.



BENCHMARKS	
1.	Anoka County Benchmark No. 3077 - Elevation 801.84 ft. (NAVD88)
2.	Anoka County Benchmark No. 3078 - Elevation 867.97 ft. (NAVD88)



CARLSON McCAIN
 ENGINEERING SURVEYING ENVIRONMENTAL

3890 PHEASANT RIDGE DR NE
 SUITE 100
 BLAINE, MN 55449
 TEL 763.489.7900
 FAX 763.489.7959
 CARLSONMCCAIN.COM

I hereby certify that this plan, specification or report was prepared by me or under my direct supervision and that I am a duly Licensed Professional Engineer under the laws of the State of Minnesota

Print Name: Brian J. Krystoflak, P.E.
 Signature: *Brian J. Krystoflak*
 Date: 9/23/21 License #: 25063

Drawn: JJO
 Designed: BJK
 Date: 9/23/21

Revisions:
 1.

SOTARRA, LLC
 (TEG LAND HOLDINGS, LLC.)
 1660 Hwy 100 South, Suite 400
 St. Louis Park, Minnesota 55416

TROTT BROOK CROSSING
 Ramsey, Minnesota

TREE PRESERVATION PLAN

T4 of T12

LEGEND	
EXISTING	PROPOSED
PROPERTY LINE	---
EASEMENT LINE	---
CURB LINE	---
BITUMINOUS	---
CONCRETE	---
SANITARY SEWER	---
STORM SEWER	---
WATER MAIN	---
OVERHEAD UTILITY	---
STORM CATCH BASIN	---
STORM MANHOLE	---
OUTLET CONTROL STRUCTURE	---
MANHOLE	---
HYDRANT	---
GATE VALVE	---
TELEVISION BOX	---
TELEPHONE BOX	---

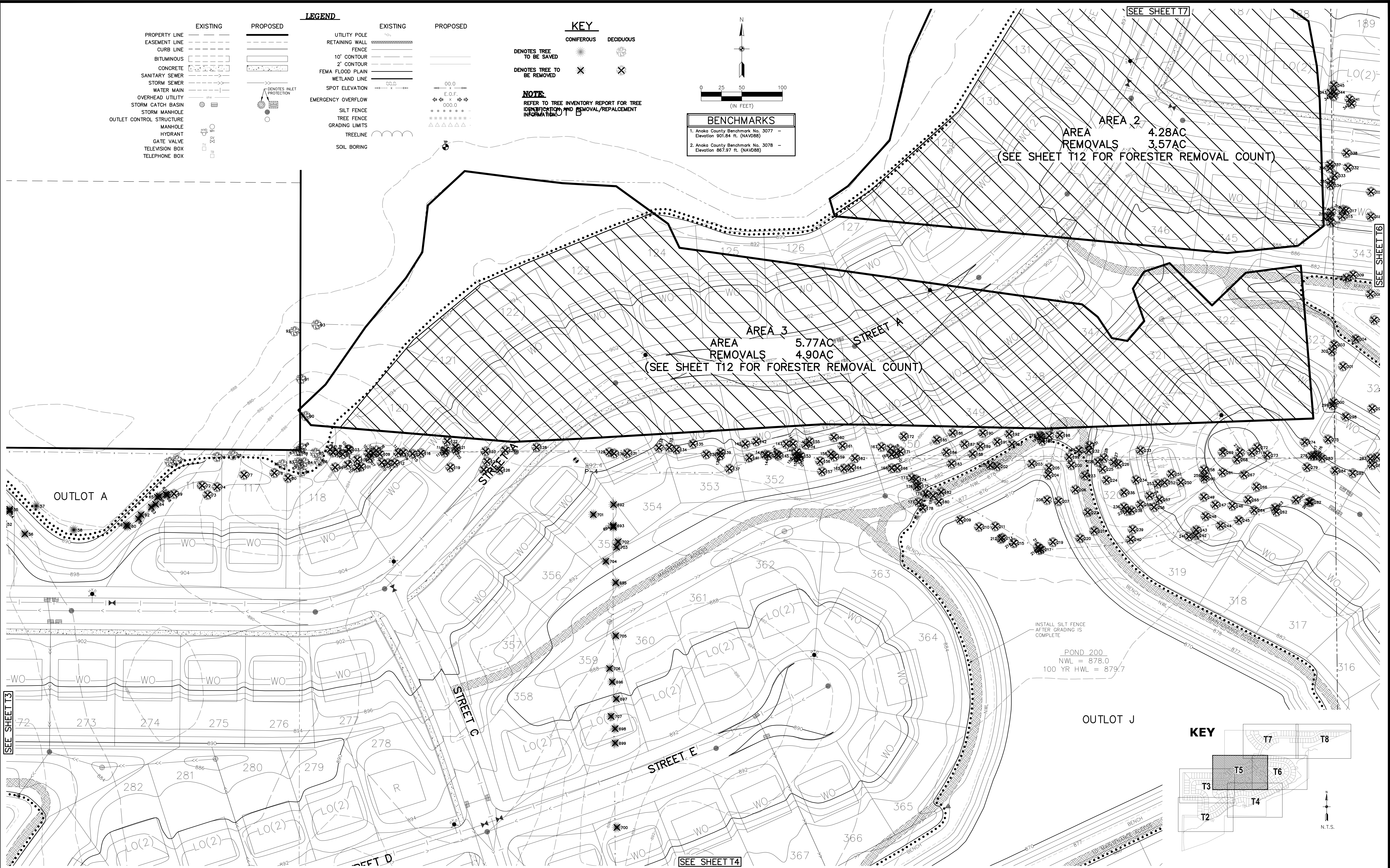
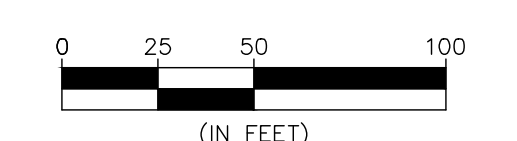
LEGEND	
EXISTING	PROPOSED
UTILITY POLE	---
RETAINING WALL	---
FENCE	---
10' CONTOUR	---
2' CONTOUR	---
FEMA FLOOD PLAIN	---
WETLAND LINE	---
SPOT ELEVATION	---
EMERGENCY OVERFLOW	---
SILT FENCE	---
TREE FENCE	---
GRADING LIMITS	---
TREELINE	---
SOIL BORING	---

KEY	
CONIFEROUS	DECIDUOUS
☼	☼
✕	✕

NOTE:
REFER TO TREE INVENTORY REPORT FOR TREE IDENTIFICATION AND REMOVAL/REPLACEMENT INFORMATION.

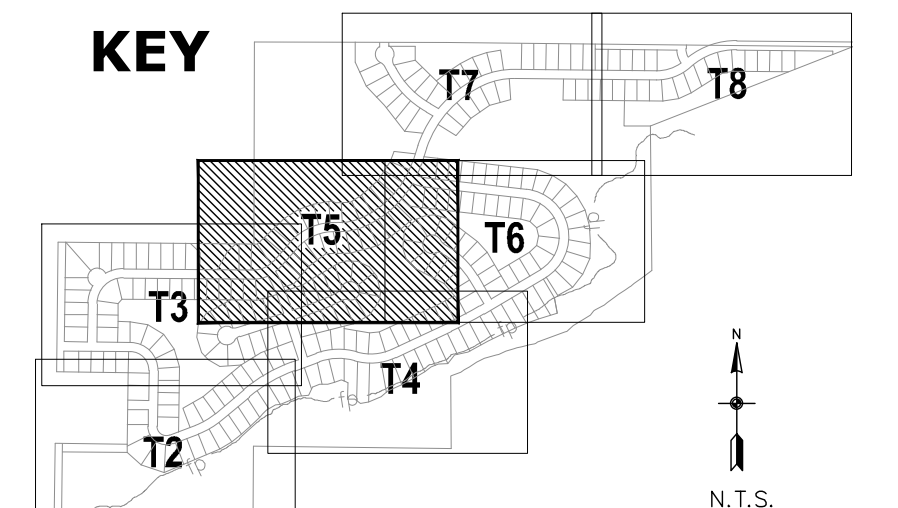
BENCHMARKS

- Anoka County Benchmark No. 3077 - Elevation 901.84 ft. (NAVD88)
- Anoka County Benchmark No. 3078 - Elevation 867.97 ft. (NAVD88)



INSTALL SILT FENCE AFTER GRADING IS COMPLETE

POND 200
 NWL = 878.0
 100 YR HWL = 879.7



CARLSON McCAIN
 ENGINEERING SURVEYING ENVIRONMENTAL
 3890 PHEASANT RIDGE DR NE SUITE 100
 BLAINE, MN 55449
 TEL 763.489.7900
 FAX 763.489.7959
 CARLSONMCCAIN.COM

I hereby certify that this plan, specification or report was prepared by me or under my direct supervision and that I am a duly Licensed Professional Engineer under the laws of the State of Minnesota

Print Name: Brian J. Krystofiak, P.E.
 Signature: *Brian J. Krystofiak*
 Date: 9/23/21 License #: 25063

Drawn: JJO
 Designed: BJK
 Date: 9/23/21

Revisions:
 1.

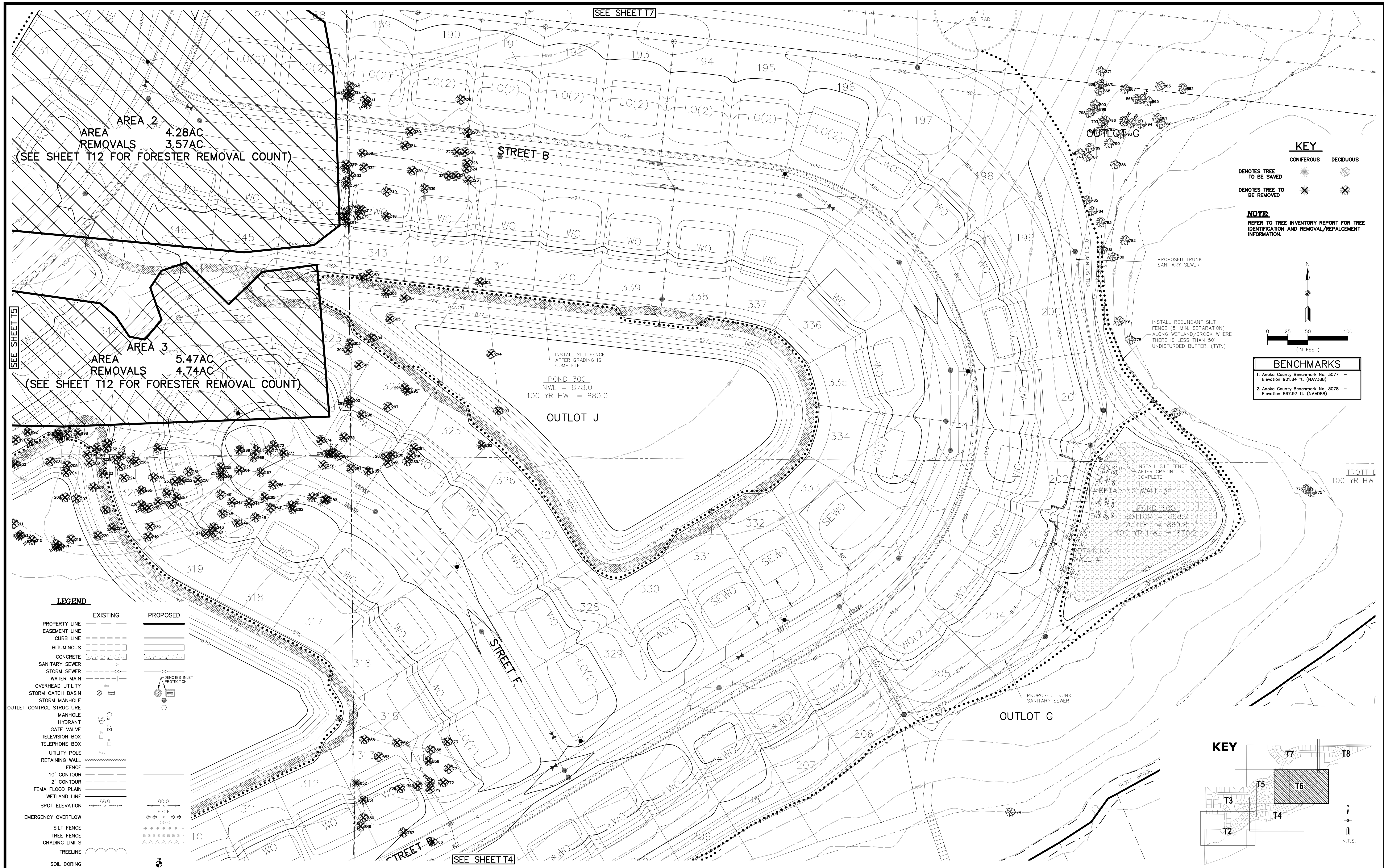
SOTARRA, LLC
 (TEG LAND HOLDINGS, LLC.)
 1660 Hwy 100 South, Suite 400
 St. Louis Park, Minnesota 55416

TROTT BROOK CROSSING
 Ramsey, Minnesota

TREE PRESERVATION PLAN

T5 of T12

Save Date: 09/23/21 F:\jobs\9461 - 9480\9461 - trot brook\cad\c3d\engineering\prelim\plans\9461_tree_plan.dwg

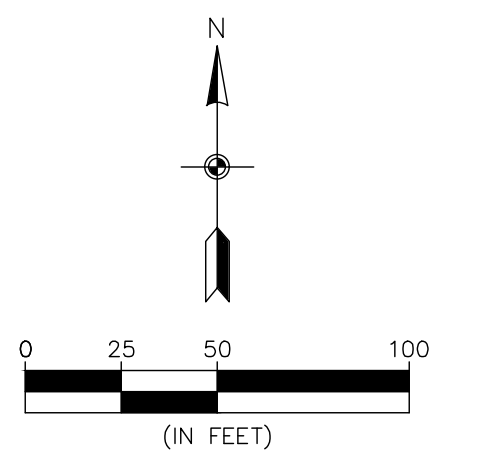


AREA 2
AREA REMOVALS
 (SEE SHEET T12 FOR FORESTER REMOVAL COUNT)
 4.28AC
 3.57AC

AREA 3
AREA REMOVALS
 (SEE SHEET T12 FOR FORESTER REMOVAL COUNT)
 5.47AC
 4.74AC

KEY
 CONIFEROUS DECIDUOUS
 DENOTES TREE TO BE SAVED
 DENOTES TREE TO BE REMOVED

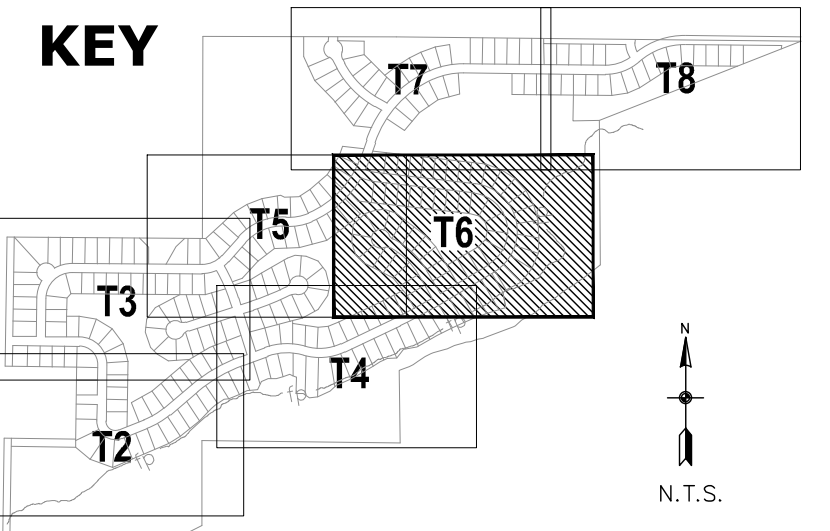
NOTE:
 REFER TO TREE INVENTORY REPORT FOR TREE IDENTIFICATION AND REMOVAL/REPLACEMENT INFORMATION.



BENCHMARKS
 1. Anoka County Benchmark No. 3077 - Elevation 901.64 ft. (NAVD88)
 2. Anoka County Benchmark No. 3078 - Elevation 867.97 ft. (NAVD88)

LEGEND

EXISTING	PROPOSED
PROPERTY LINE	PROPERTY LINE
EASEMENT LINE	EASEMENT LINE
CURB LINE	CURB LINE
BITUMINOUS	BITUMINOUS
CONCRETE	CONCRETE
SANITARY SEWER	SANITARY SEWER
STORM SEWER	STORM SEWER
WATER MAIN	WATER MAIN
OVERHEAD UTILITY	OVERHEAD UTILITY
STORM CATCH BASIN	STORM CATCH BASIN
STORM MANHOLE	STORM MANHOLE
OUTLET CONTROL STRUCTURE	OUTLET CONTROL STRUCTURE
MANHOLE	MANHOLE
HYDRANT	HYDRANT
GATE VALVE	GATE VALVE
TELEVISION BOX	TELEVISION BOX
TELEPHONE BOX	TELEPHONE BOX
UTILITY POLE	UTILITY POLE
RETAINING WALL	RETAINING WALL
FENCE	FENCE
10' CONTOUR	10' CONTOUR
2' CONTOUR	2' CONTOUR
FEMA FLOOD PLAIN	FEMA FLOOD PLAIN
WETLAND LINE	WETLAND LINE
SPOT ELEVATION	SPOT ELEVATION
EMERGENCY OVERFLOW	EMERGENCY OVERFLOW
SILT FENCE	SILT FENCE
TREE FENCE	TREE FENCE
GRADING LIMITS	GRADING LIMITS
TREELINE	TREELINE
SOIL BORING	SOIL BORING



CARLSON McCAIN
 ENGINEERING SURVEYING ENVIRONMENTAL

3890 PHEASANT RIDGE DR NE
 SUITE 100
 BLAINE, MN 55449
 TEL 763.489.7900
 FAX 763.489.7959
 CARLSONMCCAIN.COM

I hereby certify that this plan, specification or report was prepared by me or under my direct supervision and that I am a duly Licensed Professional Engineer under the laws of the State of Minnesota.

Print Name: Brian J. Krystofak, P.E.
 Signature: *Brian J. Krystofak*
 Date: 9/23/21 License #: 25063

Drawn: JJO
 Designed: BJK
 Date: 9/23/21

Revisions:
 1.

SOTARRA, LLC
 (TEG LAND HOLDINGS, LLC.)
 1660 Hwy 100 South, Suite 400
 St. Louis Park, Minnesota 55416

TROTT BROOK CROSSING
 Ramsey, Minnesota

TREE PRESERVATION PLAN

T6 of T12

EXISTING		PROPOSED	
PROPERTY LINE	---	---	---
EASEMENT LINE	---	---	---
CURB LINE	---	---	---
BITUMINOUS	---	---	---
CONCRETE	---	---	---
SANITARY SEWER	---	---	---
STORM SEWER	---	---	---
WATER MAIN	---	---	---
OVERHEAD UTILITY	---	---	---
STORM CATCH BASIN	---	---	---
STORM MANHOLE	---	---	---
OUTLET CONTROL STRUCTURE	---	---	---
MANHOLE	---	---	---
HYDRANT	---	---	---
GATE VALVE	---	---	---
TELEVISION BOX	---	---	---
TELEPHONE BOX	---	---	---

LEGEND

EXISTING		PROPOSED	
UTILITY POLE	---	---	---
RETAINING WALL	---	---	---
FENCE	---	---	---
10' CONTOUR	---	---	---
2' CONTOUR	---	---	---
FEMA FLOOD PLAIN	---	---	---
WETLAND LINE	---	---	---
SPOT ELEVATION	---	---	---
EMERGENCY OVERTFLOW	---	---	---
SILT FENCE	---	---	---
TREE FENCE	---	---	---
GRADING LIMITS	---	---	---
TREELINE	---	---	---
SOIL BORING	---	---	---

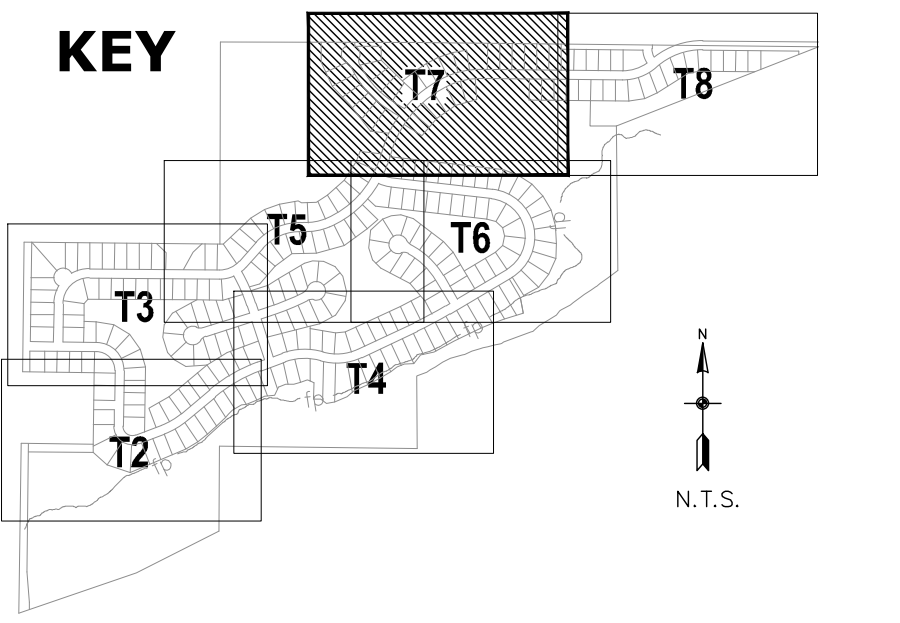
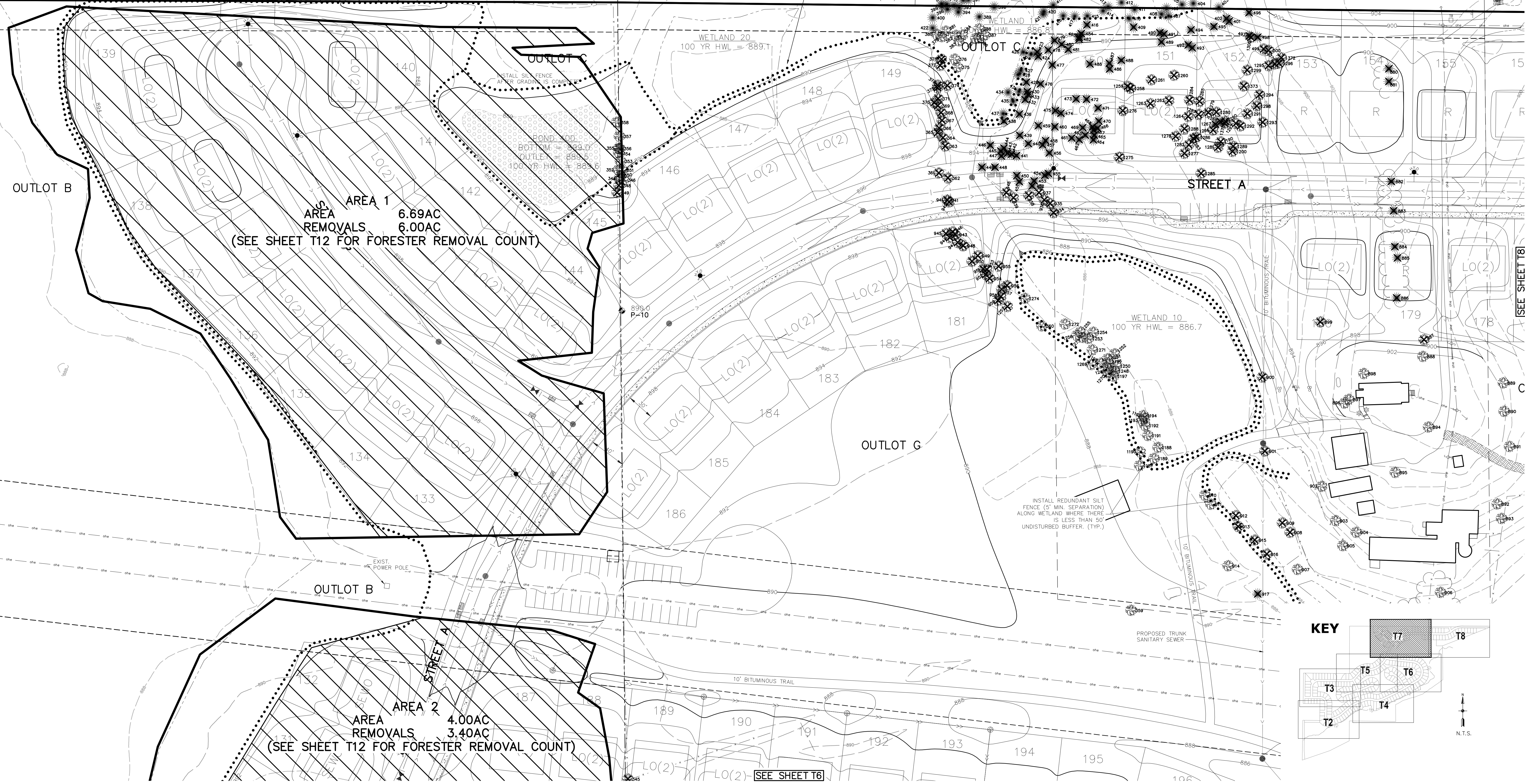
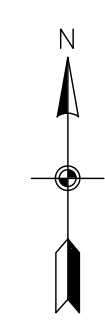
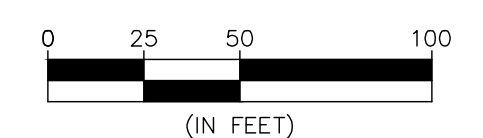
KEY

CONIFEROUS
DECIDUOUS

☼ DENOTES TREE TO BE SAVED
✕ DENOTES TREE TO BE REMOVED

NOTE:
REFER TO TREE INVENTORY REPORT FOR TREE IDENTIFICATION AND REMOVAL/REPLACEMENT INFORMATION.

BENCHMARKS	
1. Anoka County Benchmark No. 3077 - Elevation 807.84 ft. (NAVD83)	
2. Anoka County Benchmark No. 3078 - Elevation 867.97 ft. (NAVD83)	



CARLSON McCAIN
ENGINEERING SURVEYING ENVIRONMENTAL

3890 PHEASANT RIDGE DR NE
SUITE 100
BLAINE, MN 55449
TEL 763.489.7900
FAX 763.489.7959
CARLSONMCCAIN.COM

I hereby certify that this plan, specification or report was prepared by me or under my direct supervision and that I am a duly Licensed Professional Engineer under the laws of the State of Minnesota

Print Name: Brian J. Krystofak, P.E.
Signature: *Brian J. Krystofak*
Date: 9/23/21 License #: 25063

Drawn: JJO
Designed: BJK
Date: 9/23/21

Revisions: 1.

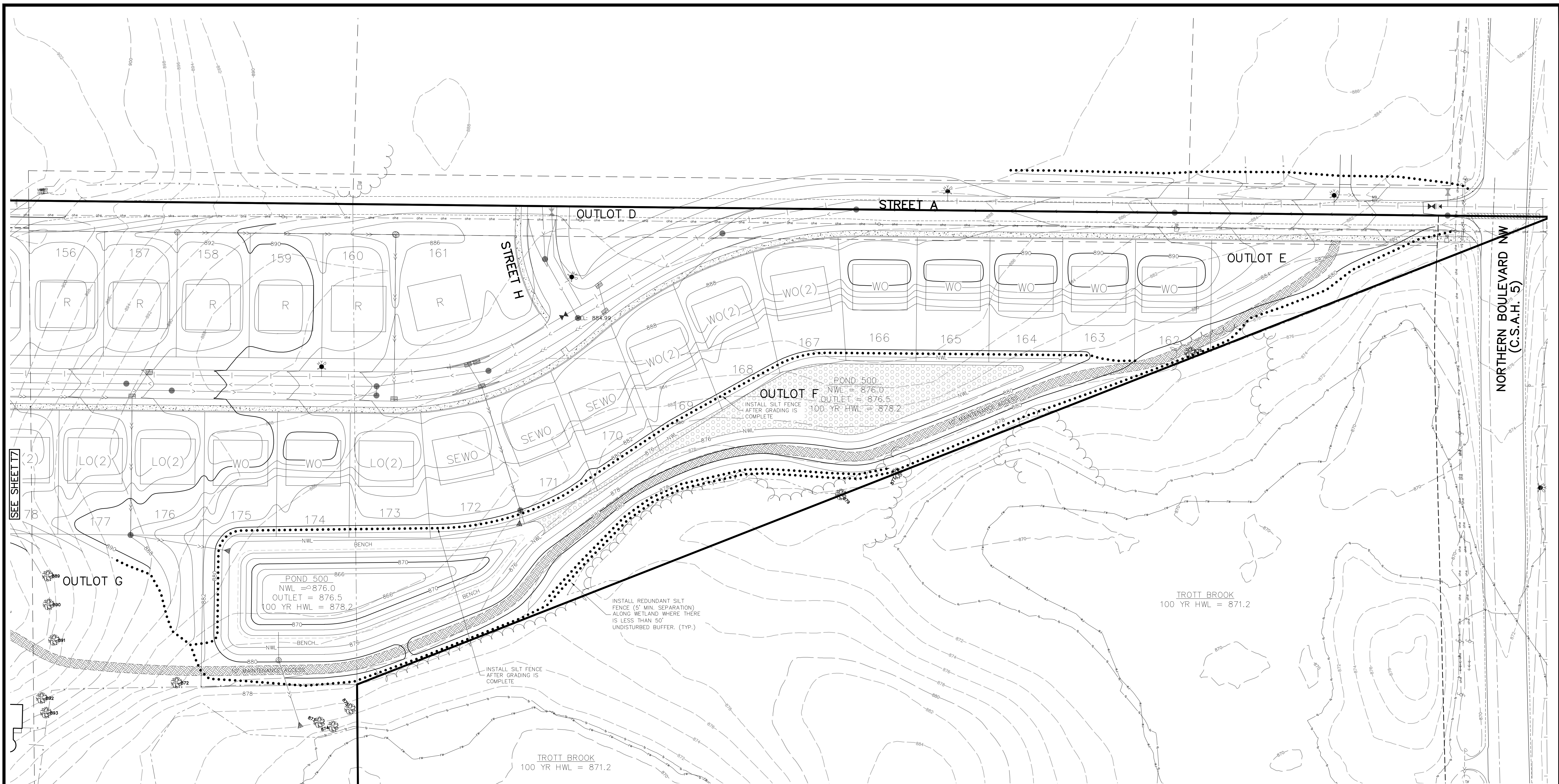
SOTARRA, LLC
(TEG LAND HOLDINGS, LLC.)
1660 Hwy 100 South, Suite 400
St. Louis Park, Minnesota 55416

TROTT BROOK CROSSING
Ramsey, Minnesota

TREE PRESERVATION PLAN

T7 of T12

Save Date: 09/23/21 | F:\Jobs\9461 - 9480\9461 - trot brook\cad\3d\engineering\prelim\plans\9461_tree_plan.dwg



SEE SHEET T7

SEE SHEET T6

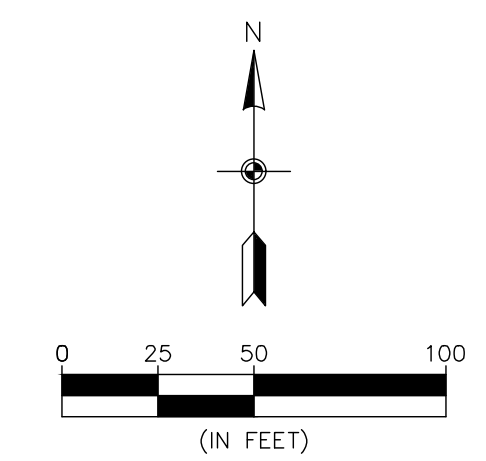
LEGEND	
EXISTING	PROPOSED
PROPERTY LINE	UTILITY POLE
EASEMENT LINE	RETAINING WALL
CURB LINE	FENCE
BITUMINOUS	10' CONTOUR
CONCRETE	2' CONTOUR
SANITARY SEWER	FEMA FLOOD PLAIN
STORM SEWER	WETLAND LINE
WATER MAIN	SPOT ELEVATION
OVERHEAD UTILITY	EMERGENCY OVERFLOW
STORM CATCH BASIN	SILT FENCE
STORM MANHOLE	TREE FENCE
OUTLET CONTROL STRUCTURE	GRADING LIMITS
MANHOLE	TREELINE
HYDRANT	SOIL BORING
GATE VALVE	
TELEVISION BOX	
TELEPHONE BOX	

KEY

CONFEROUS DECIDUOUS

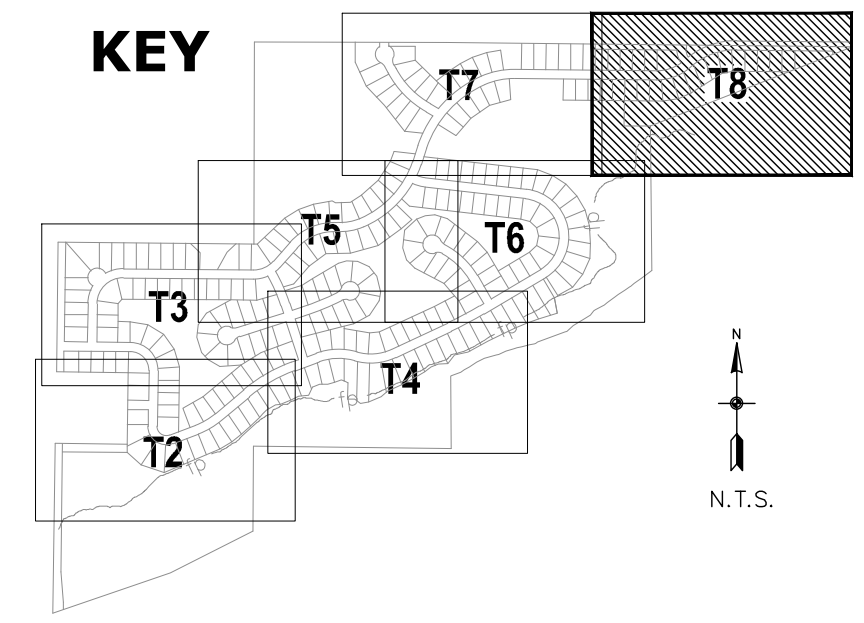
⊗ DENOTES TREE TO BE SAVED
 ⊗ DENOTES TREE TO BE REMOVED

NOTE:
 REFER TO TREE INVENTORY REPORT FOR TREE IDENTIFICATION AND REMOVAL/REPLACEMENT INFORMATION.



BENCHMARKS

- Anoka County Benchmark No. 3077 - Elevation 901.84 ft. (NAVD88)
- Anoka County Benchmark No. 3078 - Elevation 867.97 ft. (NAVD88)



CARLSON McCAIN
 ENGINEERING SURVEYING ENVIRONMENTAL

3890 PHEASANT RIDGE DR NE
 SUITE 100
 BLAINE, MN 55449
 TEL 763.489.7900
 FAX 763.489.7959
 CARLSONMCCAIN.COM

I hereby certify that this plan, specification or report was prepared by me or under my direct supervision and that I am a duly Licensed Professional Engineer under the laws of the State of Minnesota

Print Name: Brian J. Krystofiak, P.E.
 Signature: *Brian J. Krystofiak*
 Date: 9/23/21 License #: 25063

Drawn: JJO
 Designed: BJK
 Date: 9/23/21

Revisions:
 1.

SOTARRA, LLC
 (TEG LAND HOLDINGS, LLC.)
 1660 Hwy 100 South, Suite 400
 St. Louis Park, Minnesota 55416

TROTT BROOK CROSSING
 Ramsey, Minnesota

TREE PRESERVATION PLAN

T8 of T12

TREE INVENTORY							
Tree No.	Tree Species	DBH (IN)	Condition	Saved	Removed	Exempt	Comments
1	Redcedar	21	Good		X		
2	Redcedar	7	Good		X		
3	Redcedar	11	Good		X		
4	Redcedar	4.5	Fair	X			
5	Oak, northern pin	33.5	Poor		X		
6	Redcedar	5.5	Fair		X		
7	Oak, northern pin	27	Good		X		
8	Redcedar	12	Good		X		
9	Redcedar	8.5	Good		X		
10	Redcedar	6	Good		X		
11	Oak, northern pin	12.5	Good		X		
12	Oak, northern pin	22	Good		X		
13	Oak, northern pin	36.5	Fair		X		
14	Oak, northern pin	10.5	Fair		X		
15	Oak, northern pin	16.5	Good		X		
16	Oak, northern pin	23.5	Good		X		
17	Oak, northern pin	27	Good		X		
18	Oak, northern pin	23.5	Good		X		
19	Redcedar	6.5	Good		X		
20	Oak, northern pin	21	Good		X		
21	Oak, northern pin	23	Good		X		
22	Redcedar	5	Poor		X		
23	Oak, northern pin	16	Good		X		
24	Redcedar	6	Good	X			
25	Redcedar	8.5	Good	X			
26	Redcedar	6.5	Good	X			
27	Oak, northern pin	23	Good		X		
28	Oak, bur	15.5	Good		X		
29	Oak, northern pin	25.5	Good		X		
30	Redcedar	10	Good		X		
31	Redcedar	10	Good		X		
32	Cherry, black	26	Good		X		
33	Redcedar	7.5	Good		X		
34	Redcedar	10	Good		X		
35	Redcedar	11	Good		X		
36	Redcedar	18	Good		X		
37	Oak, bur	16	Good		X		
38	Oak, bur	13	Good		X		
39	Oak, northern pin	22	Good		X		
40	Redcedar	11	Good		X		
41	Redcedar	4	Good		X		
42	Oak, northern pin	24	Good		X		
43	Oak, northern pin	14	Fair		X		
44	Oak, bur	18	Good		X		
45	Oak, northern pin	31	Good		X		
46	Ash, green	16.5	Good		X		
47	Oak, bur	19	Good		X		
48	Hackberry	13.5	Good		X		
49	Oak, northern pin	23	Good		X		
50	Oak, northern pin	23	Good		X		
51	Redcedar	6	Good		X		
52	Redcedar	5	Good		X		
53	Redcedar	4.5	Good		X		
54	Oak, bur	26	Good		X		
55	Oak, northern pin	25	Good		X		
56	Redcedar	25	Good		X		
57	Redcedar	9	Poor	X			
58	Redcedar	15	Fair	X			
59	Redcedar	11	Good		X		
60	Redcedar	16	Good		X		
61	Redcedar	17	Good		X		
62	Redcedar	11.5	Good		X		
63	Redcedar	13	Good		X		
64	Aspen	21	Good		X		
65	Redcedar	5	Good		X		
66	Redcedar	5.5	Good		X		
67	Aspen	15.5	Good		X		
68	Redcedar	5	Fair		X		
69	Redcedar	8	Good		X		
70	Aspen	8.5	Good	X			
71	Aspen	15.5	Poor	X			
72	Redcedar	16.5	Good		X		
73	Redcedar	7.5	Good		X		
74	Redcedar	26	Fair		X		
75	Oak, bur	30	Fair	X			
76	Oak, white	50	Poor	X			
77	Redcedar	10	Fair		X		
78	Redcedar	16	Good		X		
79	Redcedar	12	Good	X			
80	Redcedar	6	Good		X		
81	Redcedar	6	Good	X			
82	Redcedar	6	Good	X			
83	Redcedar	5.5	Good	X			
84	Redcedar	6	Good	X			
85	Oak, northern pin	21	Good	X			
86	Redcedar	7	Good	X			
87	Oak, northern pin	22	Fair	X			
88	Oak, bur	14	Good	X			
89	Oak, bur	12	Fair	X			
90	Elm, Siberian	26	Poor	X			
91	Oak, bur	11.5	Good	X			
92	Oak, bur	16	Good	X			
93	Aspen	13.5	Poor	X			
94	Oak, northern pin	52	Poor		X		
95	Redcedar	4.5	Good		X		
96	Redcedar	21	Good		X		
97	Redcedar	10	Good		X		
98	Redcedar	4	Fair		X		
99	Redcedar	4	Good		X		
100	Redcedar	11	Good		X		
101	Redcedar	8	Good		X		
102	Redcedar	9	Fair		X		
103	Oak, northern pin	16	Good		X		
104	Oak, northern pin	9	Fair		X		
105	Oak, northern pin	48	Poor		X		
106	Redcedar	4.5	Good		X		
107	Redcedar	5	Good		X		
108	Oak, northern pin	9	Good		X		
109	Redcedar	5	Good		X		
110	Redcedar	6	Good		X		
111	Redcedar	4	Good		X		
112	Redcedar	5.5	Good		X		
113	Oak, northern pin	27.5	Good		X		
114	Redcedar	6	Good		X		
115	Oak, northern pin	25	Good		X		
116	Redcedar	4	Good		X		
117	Oak, northern pin	32	Poor		X		
118	Oak, northern pin	22	Fair		X		
119	Redcedar	15	Good		X		
120	Redcedar	6.5	Good		X		
121	Oak, bur	9	Good		X		
122	Cherry, black	8	Poor		X		
123	Redcedar	7.5	Good		X		
124	Redcedar	6.5	Good		X		
125	Redcedar	7.5	Good		X		
126	Redcedar	39	Good		X		
127	Redcedar	6	Good		X		
128	Redcedar	7	Good		X		
129	Oak, bur	15	Good		X		
130	Oak, northern pin	26	Poor		X		
131	Redcedar	15	Good		X		
132	Redcedar	5	Good		X		
133	Redcedar	6	Good		X		
134	Redcedar	7	Good		X		
135	Oak, bur	8	Good		X		
136	Oak, northern pin	38.5	Fair		X		
137	Redcedar	8	Fair		X		
138	Oak, bur	23	Good		X		
139	Oak, northern pin	36	Good		X		
140	Oak, northern pin	11	Good		X		
141	Oak, northern pin	23	Good		X		
142	Oak, northern pin	13.5	Good		X		
143	Oak, northern pin	14.5	Fair		X		
144	Oak, northern pin	21	Good		X		
145	Oak, northern pin	28	Fair		X		
146	Oak, northern pin	34	Fair		X		
147	Cherry, black	8	Fair		X		
148	Oak, bur	4.5	Good		X		
149	Oak, northern pin	28	Fair		X		
150	Redcedar	4	Good		X		
151	Oak, northern pin	25	Good		X		
152	Oak, bur	22	Good		X		
153	Oak, northern pin	6.5	Fair		X		
154	Oak, bur	4.5	Good		X		
155	Oak, northern pin	12.5	Good		X		
156	Oak, bur	18	Good		X		
157	Redcedar	5	Good		X		
158	Oak, northern pin	22.5	Poor		X		
159	Redcedar	4	Good		X		
160	Cherry, black	16.5	Good		X		
161	Basswood	16.5	Good		X		
162	Oak, bur	31.5	Good		X		
163	Redcedar	4.5	Good		X		
164	Redcedar	4	Good		X		
165	Redcedar	8.5	Good		X		
166	Redcedar	11.5	Good		X		
167	Boxelder	11	Good		X		
168	Cherry, black	12	Good		X		
169	Boxelder	10	Good		X		
170	Oak, bur	26	Good		X		
171	Boxelder	8	Fair		X		
172	Boxelder	16	Fair		X		
173	Hackberry	11.5	Good		X		
174	Oak, bur	16	Fair		X		
175	Oak, bur	16	Good		X		
176	Oak, northern pin	16.5	Good		X		
177	Oak, bur	41	Good		X		
178	Oak, bur	40	Good		X		
179	Redcedar	5	Good		X		
180	Oak, bur	9	Good		X		
181	Oak, bur	18	Good		X		
182	Redcedar	4.5	Good		X		
183	Aspen	14	Poor		X		
184	Hackberry	8	Good		X		
185	Boxelder	21	Fair		X		
186	Cherry, black	8	Fair		X		
187	Boxelder	13	Good		X		
188	Aspen	14	Fair		X		
189	Basswood	16	Good		X		
190	Boxelder	25	Good		X		
191	Elm, American	14.5	Good		X		
192	Boxelder	12	Good		X		
193	Boxelder	8	Good		X		
194	Boxelder	16	Poor		X		
195	Boxelder	9	Good		X		
196	Boxelder	9	Good		X		
197	Boxelder	14	Fair		X		
198	Boxelder	10.5	Good		X		
199	Boxelder	10	Good		X		
200	Boxelder	11.5	Poor		X		
201	Elm, American	21.5	Good		X		
202	Boxelder	10	Good		X		
203	Boxelder	11	Good		X		
204	Oak, bur	16	Good		X		
205	Boxelder	11	Fair		X		
206	Oak, bur	23	Good		X		
207	Oak, bur	9	Good		X		
208	Oak, bur	26	Good		X		
209	Oak, bur	24	Good		X		
210	Boxelder	9.5	Good		X		
211	Oak, bur	11	Dead		X		
212	Oak, bur	19	Good		X		
213	Oak, bur	10	Good		X		
214	Hackberry	10.5	Good		X		

TREE INVENTORY							
Tree No.	Tree Species	DBH (IN)	Condition	Saved	Removed	Exempt	Comments
215	Oak, bur	24	Good		X	X	Exempt - Water Quality
216	Oak, bur	15	Good		X	X	Exempt - Water Quality
217	Oak, bur	24.5	Good		X	X	Exempt - Water Quality
218	Oak, bur	15	Good		X	X	Exempt - Water Quality
219	Oak, northern pin	4.5	Good		X	X	Exempt - Water Quality
220	Oak, bur	19.5	Good		X	X	Exempt - Water Quality
221	Oak, bur	22	Good		X	X	Exempt - Water Quality
222	Oak, bur	22	Good		X	X	Exempt - Water Quality
223	Oak, bur	17	Good		X		
224	Oak, bur	25	Good		X		
225	Redcedar	10	Good		X		
226	Oak, bur	27	Good		X		
227	Oak, bur	15	Good		X		
228	Oak, bur	18.5	Good		X		
229	Serviceberry	8	Fair		X		
230	Hackberry	16.5	Good		X		
231	Elm, American	15	Good		X		
232	Oak, bur	8.5	Good		X		
233	Pine, SCottonwoods	6	Good		X		
234	Oak, bur	18	Fair		X		
235	Oak, bur	22	Good		X		
236	Redcedar	4.5	Good		X		
237	Redcedar	4	Good		X		</

TREE INVENTORY							
Tree No.	Tree Species	DBH (IN)	Condition	Saved	Removed	Exempt	Comments
429	Oak, bur	16	Good		X		
430	Aspen	16	Fair		X		
431	Oak, bur	9.5	Good	X			
432	Aspen	9	Good		X		
433	Aspen	10	Good		X		
434	Aspen	10	Good	X			
435	Aspen	10	Good	X			
436	Elm, American	8.5	Good		X		
437	Aspen	9	Fair	X			
438	Aspen	12	Good		X		
439	Oak, bur	17	Good		X		
440	Oak, bur	24	Dead			X	Exempt - Dead
441	Elm, American	10	Good		X		
442	Boxelder	8.5	Dead		X	X	Exempt - Dead
443	Ash, green	8.5	Good		X		
444	Oak, bur	5	Fair		X		
445	Oak, bur	7	Good		X		
446	Aspen	8	Good		X		
447	Aspen	11	Good		X		
448	Aspen	18	Good		X		
449	Aspen	11	Dead		X	X	Exempt - Dead
450	Aspen	9.5	Good		X		
451	Aspen	10	Good		X		
452	Aspen	11	Good		X		
453	Aspen	21.5	Good		X		
454	Oak, northern pin	7.5	Good		X		
455	Elm, American	9.5	Good		X		
456	Oak, northern pin	12	Good		X		
457	Oak, bur	4	Good		X		
458	Oak, northern pin	5	Good		X		
459	Cherry, black	10	Fair		X		
460	Oak, northern pin	5	Good		X		
461	Oak, northern pin	11	Good		X		
462	Oak, northern pin	15	Good		X		
463	Oak, northern pin	9	Good		X		
464	Oak, northern pin	13	Good		X		
465	Oak, northern pin	19	Good		X		
466	Oak, northern pin	10	Good		X		
467	Oak, northern pin	4	Good		X		
468	Oak, northern pin	4.5	Good		X		
469	Oak, northern pin	9	Good		X		
470	Oak, red	8	Good		X		
471	Cherry, black	8.5	Good		X		
472	Boxelder	9.5	Good		X		
473	Oak, northern pin	18	Good		X		
474	Cherry, black	8	Poor		X		
475	Boxelder	16	Fair		X		
476	Oak, bur	15	Fair		X		
477	Aspen	8	Good		X		
478	Aspen	9.5	Good		X		
479	Aspen	9.5	Good		X		
480	Boxelder	8.5	Good		X		
481	Aspen	9.5	Good		X		
482	Aspen	11	Poor		X		
483	Aspen	9	Good		X		
484	Aspen	9.5	Good		X		
485	Boxelder	14	Fair		X		
486	Cherry, black	8	Fair		X		
487	Boxelder	9	Good		X		
488	Boxelder	13	Fair		X		
489	Cherry, black	8.5	Poor		X		
490	Boxelder	8.5	Good		X		
491	Cherry, black	8	Fair		X		
492	Boxelder	9	Good		X		
493	Boxelder	10	Good		X		
494	Boxelder	9.5	Good		X		
495	Boxelder	10	Good		X		
496	Elm, American	18	Dead		X	X	Exempt - Dead
497	Boxelder	11.5	Good		X		
498	Boxelder	8.5	Good		X		
499	Boxelder	9	Good		X		
500	Boxelder	9	Good		X		
501	Oak, Northern Pin	10	Good	X			
502	Oak, Northern Pin	7	Good	X			
503	Oak, Northern Pin	7	Good	X			
504	Oak, Northern Pin	31	Good	X			
505	Oak, Red	8	Fair	X			
506	Oak, Red	5	Good	X			
507	Oak, Red	13	Good	X			
508	Oak, Northern Pin	27	Good	X			
509	Oak, Northern Pin	19	Good	X			
510	Basswood, American	16	Good	X			
511	Oak, Northern Pin	31	Good	X			
512	Oak, Red	9	Good	X			
513	Oak, Northern Pin	19	Good	X			
514	Oak, Bur	20	Good	X			
515	Oak, Northern Pin	38	Good	X			
516	Oak, Northern Pin	7	Good	X			
517	Oak, Northern Pin	5	Good	X			
518	Eastern Redcedar	7	Good	X			
519	Eastern Redcedar	6	Good	X			
520	Elm, American	8	Good	X			
521	Oak, Bur	20	Fair	X			
522	Basswood, American	16	Good	X			
523	Ash, White	11	Poor	X			
524	Oak, White	19	Good	X			
525	Oak, White	19	Good	X			
526	Basswood, American	10	Good	X			
527	Oak, Bur	22	Good	X			
528	Oak, Red	30	Good	X			
529	Basswood, American	9	Good	X			
530	Elm, American	8	Good	X			
531	Oak, Bur	60	Good	X			
532	Eastern Redcedar	4	Good	X			
533	Oak, Bur	22	Good	X			
534	Oak, Bur	22	Good	X			
535	Oak, Bur	18	Good	X			

TREE INVENTORY							
Tree No.	Tree Species	DBH (IN)	Condition	Saved	Removed	Exempt	Comments
536	Oak, Bur	33	Dead	X		X	Exempt - Dead
537	Oak, Red	22	Fair	X			
538	Oak, White	25	Good		X		
539	Oak, Northern Pin	17	Good		X		
540	Oak, Red	22	Good	X			
541	Oak, Bur	35	Dead		X	X	Exempt - Dead
542	Elm, Siberian	8	Good		X	X	Exempt - Invasive
543	Oak, Bur	18	Dead	X		X	Exempt - Dead
544	Elm, Siberian	8	Good	X		X	Exempt - Invasive
544	Oak, Bur	18	Good	X			
545	Elm, American	23	Good	X			
546	Oak, Red	23	Good	X			
547	Oak, Bur	18	Good	X			
548	Basswood, American	22	Good	X			
549	Basswood, American	8	Good	X			
550	Eastern Redcedar	10	Good	X			
551	Oak, Bur	18	Good	X			
552	Oak, Bur	21	Good	X			
553	Basswood, American	37	Fair	X			
554	Elm, American	8	Good	X			
555	Basswood, American	22	Good	X			
556	Basswood, American	31	Good	X			
557	Oak, Bur	32	Good	X			
558	Oak, White	27	Good	X			
559	Elm, American	8	Good	X			
560	Elm, American	8	Good	X			
561	Elm, Siberian	25	Good	X		X	Exempt - Invasive
562	Elm, American	13	Good	X			
563	Common Hackberry	14	Good	X			
564	Elm, American	8	Good	X			
565	Elm, American	8	Good	X			
566	Ash, Green	11	Good	X			
567	Ash, White	8	Good	X			
568	Eastern Redcedar	6	Poor	X			
569	Elm, American	20	Good	X			
570	Basswood, American	18	Poor	X			
571	Basswood, American	17	Poor	X			
572	Elm, Siberian	11	Good	X		X	Exempt - Invasive
573	Basswood, American	15	Good	X			
574	Oak, Bur	27	Good	X			
575	Oak, White	8	Good	X			
576	Oak, Red	15	Good	X			
577	Ash, White	1	Good	X			
578	Ash, White	28	Good	X			
579	Oak, Bur	16	Good	X			
580	Oak, Bur	10	Good	X			
581	Basswood, American	11	Good	X			
582	Basswood, American	20	Good	X			
583	Eastern Redcedar	4	Good	X			
584	Oak, Bur	6	Good	X			
585	Oak, Bur	14	Good	X			
586	Oak, Bur	12	Dead	X		X	Exempt - Dead
587	Oak, Bur	9	Good	X			
588	Elm, American	9	Good		X		
589	Elm, Siberian	16	Good	X	X	X	Exempt - Invasive
590	Oak, Bur	12	Dead	X		X	Exempt - Dead
591	Elm, American	8	Good	X			
592	Eastern Redcedar	26	Good	X			
593	Oak, Bur	19	Good	X			
594	Oak, Bur	29	Good	X			
595	Oak, Bur	19	Good	X			
596	Common Hackberry	11	Good	X			
597	Eastern Redcedar	12	Good	X			
598	Eastern Redcedar	4	Good	X			
599	Eastern Redcedar	7	Good	X			
600	Oak, Red	19	Good		X		
601	Oak, Northern Pin	29	Good	X			
602	Oak, Northern Pin	13	Good	X			
603	Oak, Northern Pin	21	Good	X			
604	Oak, Northern Pin	23	Good	X			
605	Oak, Northern Pin	15	Good	X			
606	Eastern Redcedar	5	Good	X			
607	Ash, White	9	Good	X			
608	Ash, White	14	Good	X			
609	Basswood, American	9	Good	X			
610	Oak, Northern Pin	19	Good	X			
611	Basswood, American	9	Good	X			
612	Basswood, American	10	Good	X			
613	Maple, Red	14	Good	X			
614	Basswood, American	12	Good	X			
615	Basswood, American	13	Good	X			
616	Basswood, American	21	Good	X			
617	Basswood, American	9	Good	X			
618	Oak, Bur	25	Good	X			
619	Basswood, American	18	Good	X			
620	Oak, Northern Pin	10	Good	X			
621	Ash, White	10	Good	X			
622	Oak, Northern Pin	14	Good	X			
623	Eastern Redcedar	4	Good	X			
624	Oak, Northern Pin	9	Good	X			
625	Oak, Northern Pin	8	Good	X			
626	Oak, Red	9	Good	X			
627	Eastern Redcedar	5	Good	X			
628	Oak, Northern Pin	21	Good		X		
629	Oak, Bur	25	Good		X		
630	Oak, Bur	20	Good		X		
631	Oak, Bur	32	Good		X		
632	Basswood, American	36	Good	X			
633	Basswood, American	35	Good	X			
634	Basswood, American	18	Good	X			
635	Elm, American	10	Good	X			
636	Elm, Siberian	9	Good	X		X	Exempt - Invasive
637	Oak, Bur	26	Good	X			
638	Elm, American	19	Good	X			
639	Oak, Red	9	Good	X			
640	Elm, American	14	Good	X			
641	Oak, White	17	Good	X			

TREE INVENTORY							
Tree No.	Tree Species	DBH (IN)	Condition	Saved	Removed	Exempt	Comments
642	Oak, Bur	16	Good	X			
643	Oak, Bur	19	Good	X			
644	Oak, Bur	9	Good	X			
645	Oak, Bur	16	Good	X			
646	Oak, Bur	17	Good	X			
647	Black Cherry	12	Good	X			
648	Oak, Bur	22	Good	X			
649	Oak, Bur	11	Good	X			
650	Oak, Bur	12	Good	X			
651	Oak, White	19	Good	X			
652	Oak, Bur	24	Good	X			
653	Basswood, American	18	Dead	X		X	Exempt - Dead
654	Oak, Bur	24	Good	X			
655	Oak, Bur	17	Good	X			
656	Ash, White	22	Dead	X		X	Exempt - Dead
657	Oak, White	17	Good	X			
658	Oak, Bur	17	Good	X			
659	Ash, White	17	Good	X			</

TREE INVENTORY							
Tree No.	Tree Species	DBH (IN)	Condition	Saved	Removed	Exempt	Comments
854	Oak, Bur	28	Good		X		
855	Oak, Bur	36	Good		X		
856	Oak, Bur	28	Good		X		
857	Oak, Bur	21	Good		X		
858	Oak, Bur	25	Good		X		
859	Black Walnut	8	Good	X			
860	Black Walnut	8	Good	X			
861	Black Walnut	8	Good	X			
862	Black Walnut	8	Good	X			
863	Black Walnut	12	Good	X			
864	Black Walnut	8	Good	X			
865	Black Walnut	8	Good	X			
866	Black Walnut	8	Good	X			
867	Black Walnut	24	Poor	X			
868	Black Walnut	15	Good	X			
869	Black Walnut	15	Good	X			
870	Black Walnut	8	Good	X			
871	Black Walnut	8	Good	X			
872	Black Walnut	14	Good	X			
873	Black Walnut	9	Good	X			
874	Black Walnut	9	Good	X			
875	Black Walnut	9	Good	X			
877	Boxelder	29	Good	X			
878	Boxelder	40	Good	X			
879	Eastern Cottonwood	16	Good	X			
880	Spruce, White	21	Good		X		
881	Spruce, White	20	Good		X		
882	Spruce, White	20	Good		X		
883	Spruce, White	24	Good	X		X	Exempt - Sidewalk
884	Spruce, White	17	Good	X			
885	Spruce, White	20	Good	X			
886	Spruce, White	19	Good	X			
887	Elm, Siberian	32	Good		X	X	Exempt - Invasive
888	Maple, Red	19	Good	X			
889	Elm, Siberian	24	Good	X		X	Exempt - Invasive
890	Elm, Siberian	34	Good	X		X	Exempt - Invasive
891	Elm, Siberian	23	Good	X		X	Exempt - Invasive
892	Oak, Bur	40	Good	X			
893	Oak, White	35	Good	X			
894	Basswood, American	31	Good	X			
895	Basswood, American	19	Good	X			
896	Oak, Bur	31	Good	X			
897	Oak, Bur	24	Good	X			
898	Oak, Bur	27	Good	X			
899	Elm, American	8	Good		X		
900	Oak, Northern Pin	27	Good		X		
901	Elm, Siberian	8	Good		X	X	Exempt - Invasive
902	Elm, American	8	Good	X			
903	Oak, Bur	33	Good	X			
904	Elm, American	19	Good	X			
905	Elm, American	12	Good	X			
906	Black Walnut	8	Good	X			
907	Black Walnut	10	Good	X			
908	Black Walnut	18	Good		X		
909	Black Walnut	18	Dead		X	X	Exempt - Dead
910	Elm, American	15	Good	X			
911	Oak, Bur	8	Good	X			
912	Oak, Northern Pin	21	Good		X		
913	Oak, Bur	28	Good		X		
914	Oak, Bur	6	Good	X			
915	Oak, Bur	13	Good		X		
916	Oak, Bur	19	Good		X		
917	Eastern Redcedar	4	Good		X		
918	Eastern Redcedar	4	Good	X			
919	Eastern Redcedar	5	Good	X			
920	Elm, American	13	Good	X			
922	Black Walnut	8	Good	X			
923	Eastern Redcedar	6	Good	X			
924	Black Walnut	13	Good	X			
925	Black Walnut	15	Good	X			
926	Black Walnut	8	Good	X			
927	Black Walnut	10	Good	X			
928	Black Walnut	10	Good	X			
929	Black Walnut	12	Good	X			
930	Black Walnut	12	Good	X			
931	Black Walnut	10	Good	X			
932	Black Walnut	12	Good	X			
933	Black Walnut	26	Good	X			
934	Oak, Bur	9	Good		X	X	Exempt - Sidewalk
935	Quaking Aspen	34	Good		X		
936	Oak, Red	4	Good		X		
937	Quaking Aspen	10	Good		X		
938	Quaking Aspen	16	Good		X		
939	Quaking Aspen	11	Good		X		
940	Quaking Aspen	8	Good		X		
941	Quaking Aspen	9	Good		X		
942	Quaking Aspen	8	Good		X		
943	Quaking Aspen	8	Dead		X	X	Exempt - Dead
944	Quaking Aspen	19	Good		X		
945	Quaking Aspen	10	Good		X		
946	Quaking Aspen	12	Good		X		
947	Quaking Aspen	13	Good		X		
948	Quaking Aspen	9	Good		X		
949	Quaking Aspen	14	Good		X		
950	Quaking Aspen	12	Good		X		
951	Quaking Aspen	13	Good		X		
952	Quaking Aspen	21	Good		X		
953	Elm, American	10	Good		X		
954	Quaking Aspen	9	Good		X		
955	Quaking Aspen	9	Good		X		
956	Black Cherry	8	Good		X		
957	Oak, Red	7	Good		X		
958	Quaking Aspen	14	Good		X		
959	Oak, Bur	5	Good		X		
1187	Quaking Aspen	8	Good	X			
1188	Quaking Aspen	10	Good	X			
1189	Black Cherry	8	Good	X			

TREE INVENTORY							
Tree No.	Tree Species	DBH (IN)	Condition	Saved	Removed	Exempt	Comments
1190	Oak, Red	9	Good		X		
1190	Quaking Aspen	13	Good	X			
1191	Quaking Aspen	10	Good	X			
1192	Quaking Aspen	8	Good	X			
1193	Quaking Aspen	17	Poor	X			
1194	Quaking Aspen	11	Good	X			
1195	Quaking Aspen	11	Good	X			
1196	Quaking Aspen	11	Good	X			
1197	Quaking Aspen	11	Good	X			
1198	Quaking Aspen	14	Good	X			
1200	Oak, Red	9	Good		X		
1248	Quaking Aspen	10	Good	X			
1249	Quaking Aspen	8	Good	X			
1250	Quaking Aspen	13	Good	X			
1251	Quaking Aspen	9	Good	X			
1252	Quaking Aspen	8	Good	X			
1253	Quaking Aspen	10	Good	X			
1254	Quaking Aspen	8	Good	X			
1255	Quaking Aspen	11	Good	X			
1256	Quaking Aspen	11	Good	X			
1257	Quaking Aspen	13	Good		X		
1258	Boxelder	8	Good		X		
1259	Ash, Green	8	Poor		X		
1260	Oak, Bur	15	Good		X		
1261	Boxelder	8	Fair		X		
1262	Black Cherry	12	Good		X		
1263	Black Cherry	8	Poor		X		
1264	Boxelder	10	Good		X		
1265	Boxelder	15	Fair		X		
1266	Oak, Red	11	Good		X		
1267	Pine, Red	8	Good		X		
1268	Pine, Red	8	Good		X		
1269	Quaking Aspen	8	Good	X			
1270	Quaking Aspen	16	Good	X			
1271	Boxelder	14	Good	X			
1272	Common Hackberry	30	Good	X			
1273	Quaking Aspen	21	Good	X			
1274	Quaking Aspen	8	Good	X			
1275	Common Hackberry	9	Good		X		
1276	Oak, Bur	4	Good		X		
1277	Boxelder	16	Good		X		
1278	Black Cherry	10	Good		X		
1279	Common Hackberry	12	Good		X		
1280	Oak, Red	4	Good		X		
1281	Elm, Siberian	39	Good	X		X	Exempt - Invasive
1282	Oak, Red	9	Good	X			
1283	Oak, Red	4	Good	X			
1284	Elm, American	8	Good	X			
1285	Oak, Red	9	Good	X			
1286	Oak, Red	12	Good	X			
1287	Oak, Red	4	Good	X			
1288	Oak, Red	5	Good	X			
1289	Oak, Red	7	Good	X			
1290	Oak, Red	8	Good	X			
1291	Quaking Aspen	14	Good	X			
1292	Oak, Red	8	Good	X			
1293	Boxelder	26	Good	X			
1294	Oak, Bur	23	Good	X			
1295	Oak, Northern Pin	19	Good	X			
1296	Boxelder	16	Good	X			
1297	Oak, Red	11	Good	X			
1298	Oak, Bur	18	Good	X			
1299	Boxelder	13	Good	X			
1300	Black Cherry	8	Good	X			
1371	Oak, Red	8	Good	X			
1372	Boxelder	12	Good	X			
1373	Boxelder	8	Fair	X			
1376	Boxelder	9	Good		X		
TOTAL							
		DBH (IN)	DBH (%)	NO. OF TREES			
	TOTAL SURVEYED	15,501		1031			
	(-) TOTAL EXEMPT	1,353	8.7%	73			
	TOTAL SIGNIFICANT	14,148		958			
SAVE / REMOVAL SUMMARY		DBH (IN)	DBH (%)	NO. OF TREES			
	SIGNIFICANT TREES SAVED	5,681	40.2%	391			
	EXEMPT TREES SAVED	367		19			
	TOTAL TREES SAVED	6,048		410			
	SIGNIFICANT TREES REMOVED	8467	59.8%	567			
	EXEMPT TREES REMOVED	986		54			
	TOTAL TREES REMOVED	9453		621			
REPLACEMENT SUMMARY		DBH (IN)	DBH (%)	NO. OF TREES (2" CAL)			
	ALLOWABLE REMOVAL (60%)	8,489					
	REPLACEMENT REQUIRED (1.25 IN DBH PER 1 IN REMOVED OVER 60%)	-		0			



3890 PHEASANT RIDGE DR NE
SUITE 100
BLAINE, MN 55449
TEL 763.489.7900
FAX 763.489.7959
CARLSONMCCAIN.COM

I hereby certify that this plan, specification or report was prepared by me or under my direct supervision and that I am a duly Licensed Professional Engineer under the laws of the State of Minnesota

Print Name: Brian J. Krystofiak, P.E.
Signature: *Brian J. Krystofiak*
Date: 9/23/21 License #: 25063

Drawn: JJO
Designed: BJK
Date: 9/23/21

Revisions:
1.

SOTARRA, LLC
(TEG LAND HOLDINGS, LLC.)
1660 Hwy 100 South, Suite 400
St. Louis Park, Minnesota 55416

TROTT BROOK CROSSING
Ramsey, Minnesota

TREE PRESERVATION PLAN

T11
of
T12





NOTE:

A PORTION OF THIS SITE INCLUDES COMMERCIAL TREES PLANTED AS INVENTORY FOR AN EXISTING TREE FARM BUSINESS (THE CROSS HATCHED AREA). THESE COMMERCIAL TREES ARE REFERED TO AS THE "PLANTED WOODLAND AREA" AS OPPOSED TO THE "NATURAL WOODLAND AREA" THAT INCLUDES ALL TREES NOT ASSOCIATED WITH THE TREE FARM BUSINESS.

THE "PLANTED WOODLAND AREA" TREES WERE DELINEATED AND SAMPLED BY KJOLHAUG ENVIRONMENTAL AS SHOWN IN THE FORESTER EXHIBIT ON SHEET T12. TREES TO BE HARVESTED FROM THE "PLANTED WOODLAND AREA", AS PART OF THE EXISTING TREE FARM BUSINESS, ARE EXEMPT FROM TREE PRESERVATION REQUIREMENTS. ANY TREES SAVED IN THE "PLANTED WOODLAND AREA" ARE IN ADDITION TO THE TREES LISTED IN THE TREE INVENTORY AND ARE NOT INCLUDED IN THE TREE PRESERVATION CALCULATIONS.

REFER TO TROTT BROOK TREE SURVEY MEMORANDUM PREPARED BY KJOLHAUG ENVIRONMENTAL, DATED SEPTEMBER 22, 2021 FOR ADDITIONAL INFORMATION.

KEY

PLANTED WOODLAND AREA 
 PLANTED WOODLAND AREA TO BE REMOVED 

PLANTED WOODLAND AREA TREE REMOVAL SUMMARY

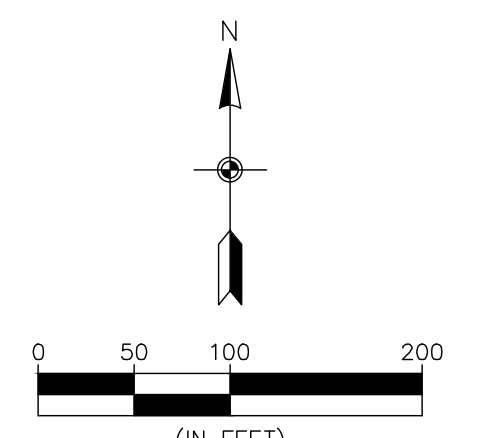
	TOTAL (AC.)	REMOVALS (AC.)	*TOTAL DBH REMOVED (INCHES)
AREA 1	5.77	4.90 (84.9%)	9,027
AREA 2	4.28	3.57 (83.4%)	6,577
AREA 3	6.69	6.00 (89.7%)	11,054
TOTALS	16.74	14.47 (86.4%)	26,658

*TOTAL DBH REMOVED = AVERAGE DBH X TREES PER ACRE X ACRES OF TREE REMOVALS

**TREES PER ACRE = 204.7

**AVERAGE DBH (IN) = 9

**REFER TO KJOLHAUG MEMORANDUM DATED SEPTEMBER 22, 2021 FOR PLANTED WOODLAND TREE SAMPLING METHOD AND CALCULATIONS.



BENCHMARKS	
1.	Anoka County Benchmark No. 3077 - Elevation 901.84 ft. (NAVD88)
2.	Anoka County Benchmark No. 3078 - Elevation 867.97 ft. (NAVD88)

Environmental Policy Board (EPB)

5. 2.

Meeting Date: 10/18/2021**By:** Chris Anderson, Community
Development

Information**Title:**

Consider Participating in a Future Rain Barrel and Compost Bin Sales Event

Purpose/Background:

Staff was recently asked about any opportunities to partner and promote a rain barrel sales event. In response, Staff contacted the Recycling Association of Minnesota (RAM), which annually coordinates a rain barrel and compost bin sales event (these have multiple distribution/pick-up locations). In fact, in 2016, the City of Ramsey partnered with RAM to serve as one of the distribution sites. At that time, the City's only obligation was to provide a location for the items to be picked up by customers. RAM handled the promotion of the event (the City did include information in the Ramsey Resident as well) and the transactions. There were approximately eighty (80) customers that picked up a rain barrel, compost bin, or both at the Ramsey location.

Observations/Alternatives:

Staff has contacted RAM about the the possibility of partnering as a distribution site again for a 2022 event. RAM is currently in the process of coordinating the 2022 program and noted that they'd be happy to partner with Ramsey again. The City's primary role would be to provide a site for a distribution/pick-up event, along with promotion of the event to Ramsey residents. However, RAM did note that the number of distribution events, which occur throughout the metro area from late spring into summer, has increased since 2016 and RAM can no longer solely staff the events. Thus, each locale serving as a distribution site needs to provide a couple of people to 'staff' the pick-up event.

Funding Source:

This case is being handled as part of Staff's regular duties.

Action:

Based on discussion. If the Environmental Policy Board is interested in pursuing this, volunteers will be needed to assist with the pick-up event (date and details would be finalized over the winter).

Attachments

No file(s) attached.

Form Review**Inbox**

Bruce Westby

Form Started By: Chris Anderson

Final Approval Date: 10/14/2021

Reviewed By

Bruce Westby

Date

10/14/2021 09:35 AM

Started On: 10/08/2021 04:10 PM