



8632 Eagle Creek Circle, Savage, MN 55378
 www.MIDWESTPLAYSCAPES.com

direct: 952.895.8888
 fax:952.895.8889
 toll free: 800.747.1452

playscapes@earthlink.net

Quotation



Project: City of Ramsey
Contact: Andy
Ship To: Ramsey, MN 55303
Email: ablood@ci.ramsey.mn.us
Shipping Contact Name:

Phone: 763-464-7099
Fax:
Bill To:

Date: 6/27/2019

Qty	Design/Item #	Description	Total
1	ZZCH3129	90 degree Glide Slide	\$ 1,242.00

Plastic Color: Beige
 Post Color: _____
 Railings Color: _____

	Subtotal	\$	1,242.00
	Freight	\$	316.00
Tax Exempt # _____	Sales Tax	\$	-
	Local Sales Tax	\$	-
	Total	\$	1,558.00

NOTE: Customer would be responsible for unloading, freight inventory and installation.

NOTE: New Footings will need to be done.

NOTE: Any Insurance requirements above \$1,000,000 General Liability will be subject to a surcharge

NOTE: UNLESS OTHERWISE NOTED, prices shown are material only. They **DO NOT** include: assembly, installation, border, safety surfacing, drain tile, geotextile fabric, removal of existing equipment, site preparation, excavation or site restoration, unloading of equipment, disposal of packaging material, storage of equipment, additional insurance and bonding would be extra, unless otherwise stated above. If playground equipment or materials are stored off site, customer is responsible for transporting equipment to job site.

Prices firm for 30 days, subject to review thereafter. Our terms are net 30. A finance charge of 1.5% will be imposed on the outstanding balance unpaid for more than 30 days after the shipment of materials. Equipment shall be invoiced seperately from other services and shall be payable in advance of those services and project completion. Retainage not accepted. Once customer has signed quotation, your order cannot be changed or canceled. Please allow 3to4 weeks for delivery after receipt of order. Standard manufacturing design, specification, and construction apply unless noted otherwise. Customer is responsible for the identification and marking of all underground utilities (public or private) to include drain tile and sprinkler systems. Area must be accessible to Bobcat and other equipment necessary for installation or additional fees will be charged. Freight quote is based on customer unloading equipment and checking in all equipment for any missing parts. If product is refused by customer upon delivery for any reason (unless damaged), without prior authorization from Midwest Playscapes, Inc., the customer agrees to pay 20% restocking fee plus freight charges. Price does not include prevailing wages, unless otherwise noted. If we can be of Other Assistance, please feel free to contact us.

Signed: _____
 Bruce Pudwill

Accepted _____
 Date: _____
 Printed Name: _____






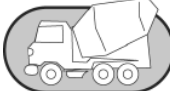


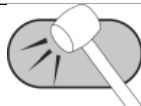
Assembly View (representative model)

Installation Instructions

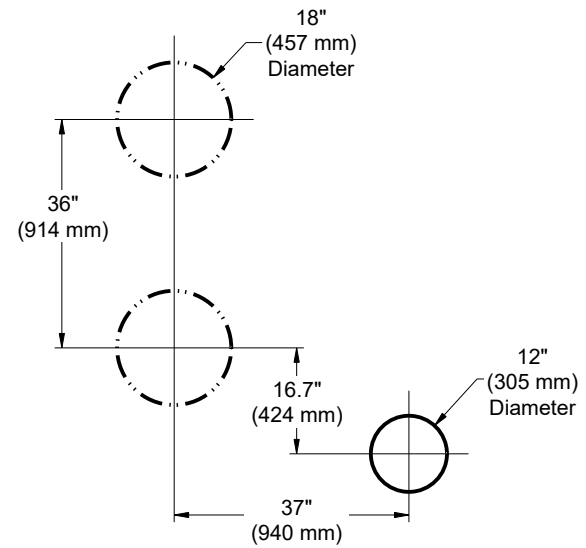
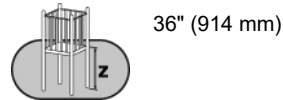
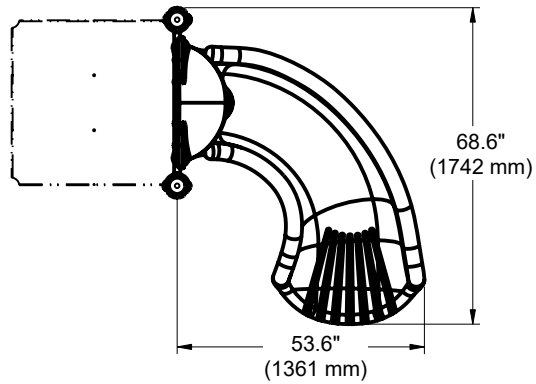
Challengers[®] Model CH3129
90° Glide Slide

Installation Preparation

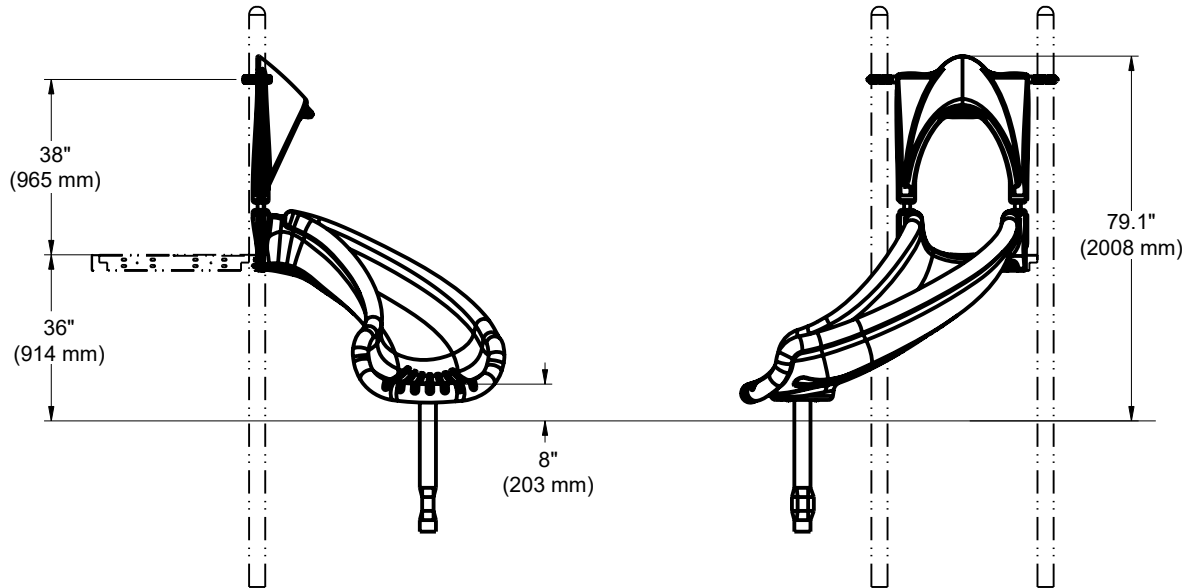
Recommended Crew: Two (2) adults
 Installation Time: 1.5 man-hours
 Concrete Required: 0.03 cubic yard (0,02 cubic meters)
 Use Zone: Refer to Master Drawing
 User Group Age (years): ASTM/CSA: 2-12, EN: 2-14

ICON KEY			
	Fully Tighten Hardware		Critical Fall Height
	Do Not Fully Tighten Hardware		Pour Concrete
	Drill		Dig Footing Holes
	Hammer		

Installation Instructions

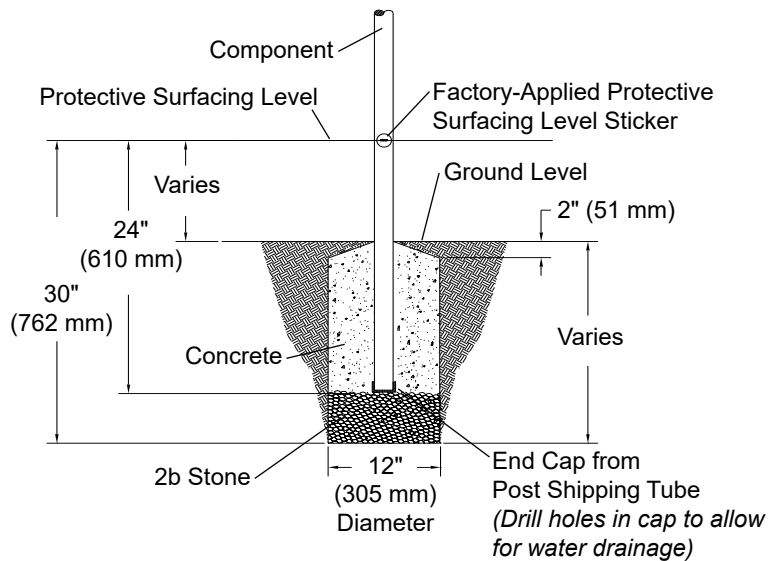


Footing Diagram



Elevation View

Installation Instructions



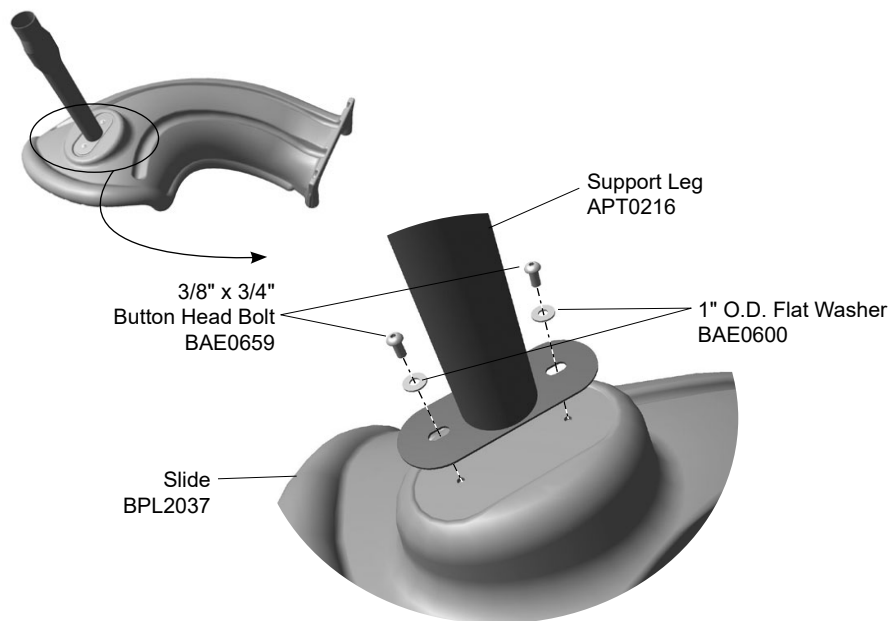
Component Footing Detail (ASTM/CSA)

FOOTING NOTES

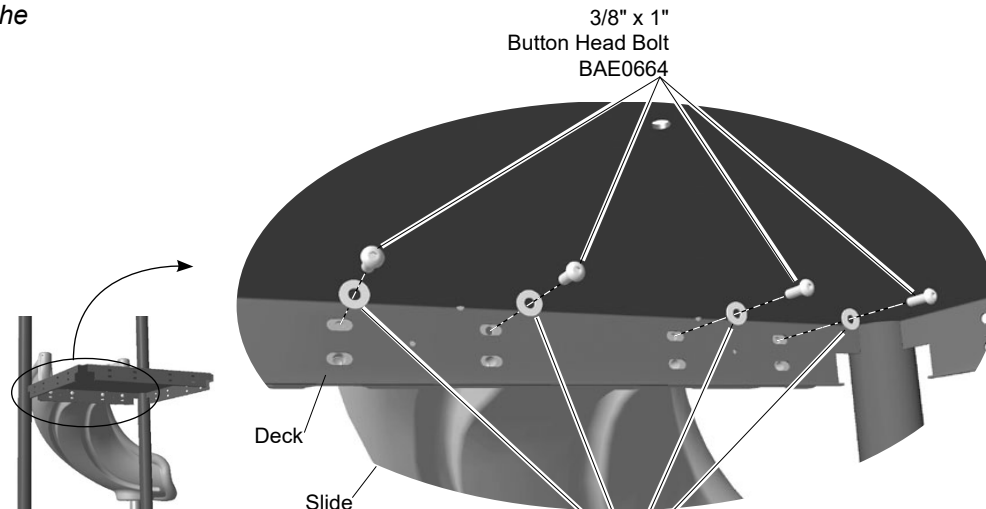
- Component footing depth equals 30 in. (762 mm) less the depth of the protective surfacing material. The post is designed to have 12" (305 mm) in concrete.
Example: If 12 in. (305 mm) of wood mulch is used for surfacing, the footing depth would be 18 in. (457 mm).
- Most support posts and component support legs will have either a factory-applied sticker with line, or factory-applied mark designating protective surfacing level on a clear and level installation site.
- If play structure is installed on uneven terrain, maintain support post mark at protective surfacing level at lowest grade. Adjust other footings accordingly. Support posts and all attaching decks and play components must be plumb and level.
- Do not encase bottom of support post in concrete. Place post directly on packed stone.
- The footings shown on Playworld Systems' documentation are recommendations based on historical performance in average soil conditions. Footing dimensions may be modified by the owner based on actual soil conditions.
For example:
 - If local soil is loose or unstable, a larger footing may be required.
 - If local soil is considered stable, such as bedrock, clay or hard packed earth, a smaller footing may be used. Before changing footing dimensions, we strongly recommend that the footings be reviewed and approved by a registered engineer.
- Base of footing must be below frost line.
- Assemble the entire structure before pouring concrete unless specifically instructed to do so in the individual component installation instructions.

Installation Instructions

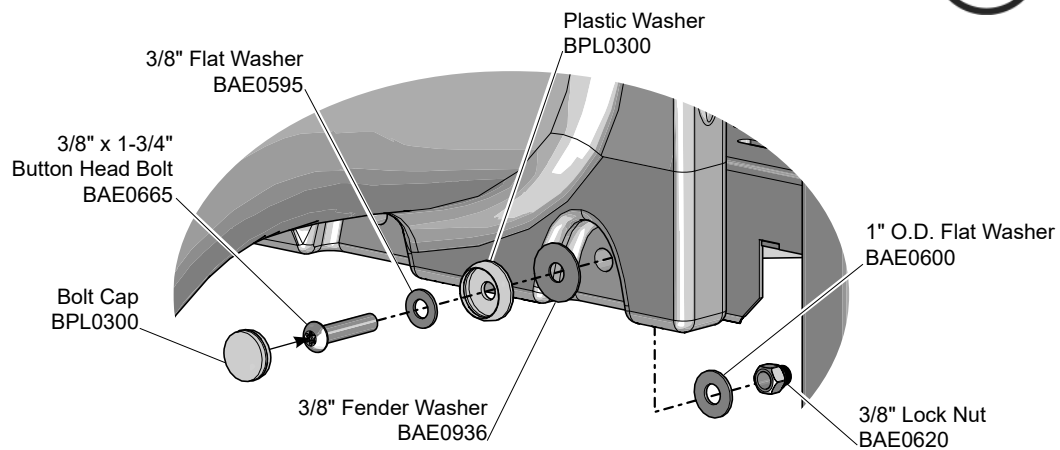
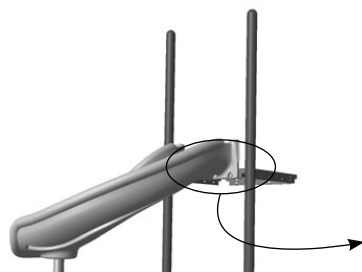
Follow the details in alphabetical order. For clarification, each detail references the step description. The step descriptions start on page 7.



Detail A
Step 4



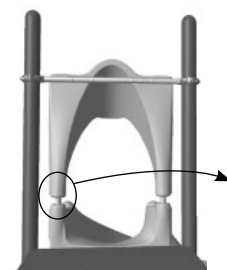
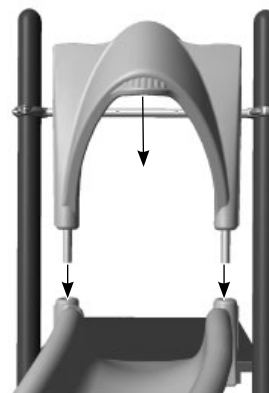
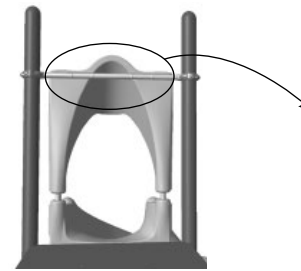
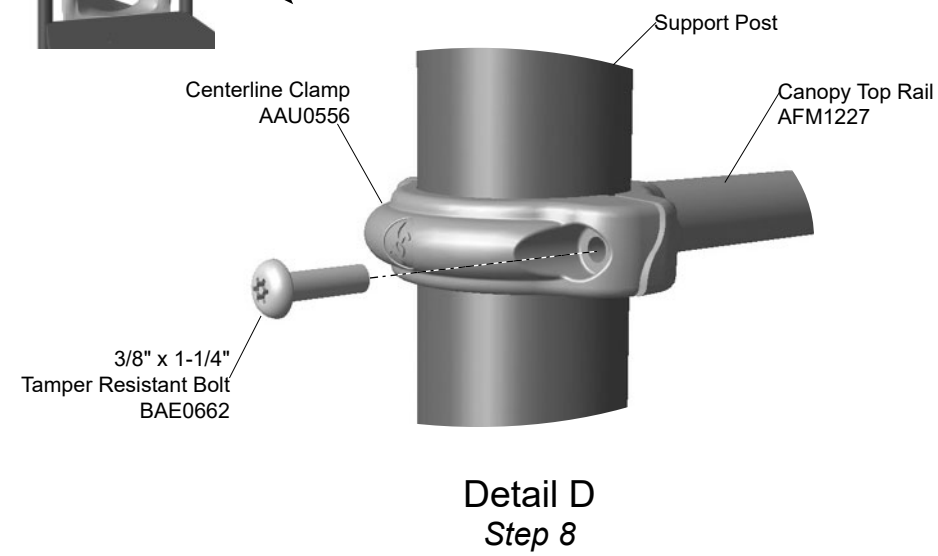
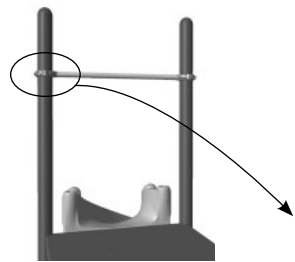
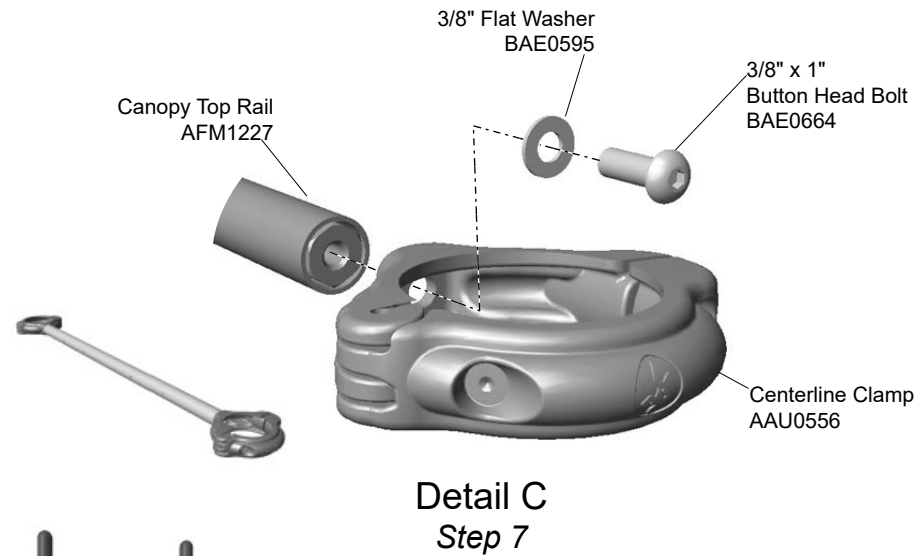
Detail B-1
Step 5



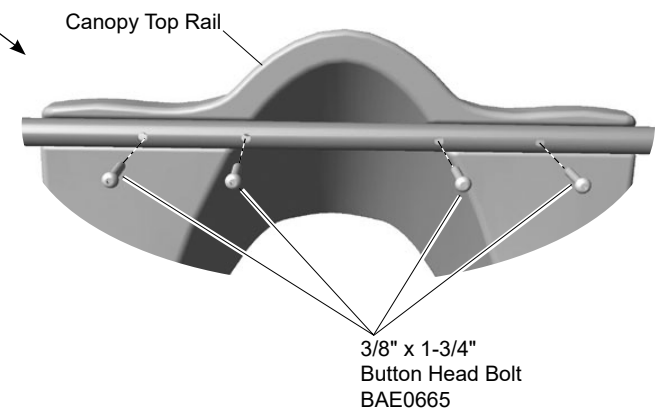
Note: Do not install bolt caps over the plastic washers until structure is complete and footed.

Detail B-2
Step 6

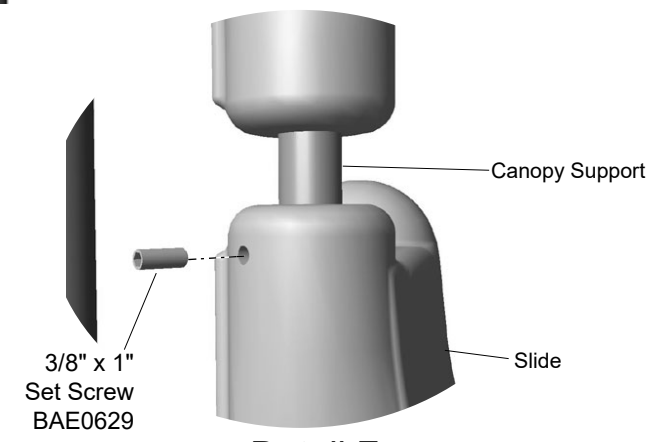
Installation Instructions



Detail E-1
Step 9



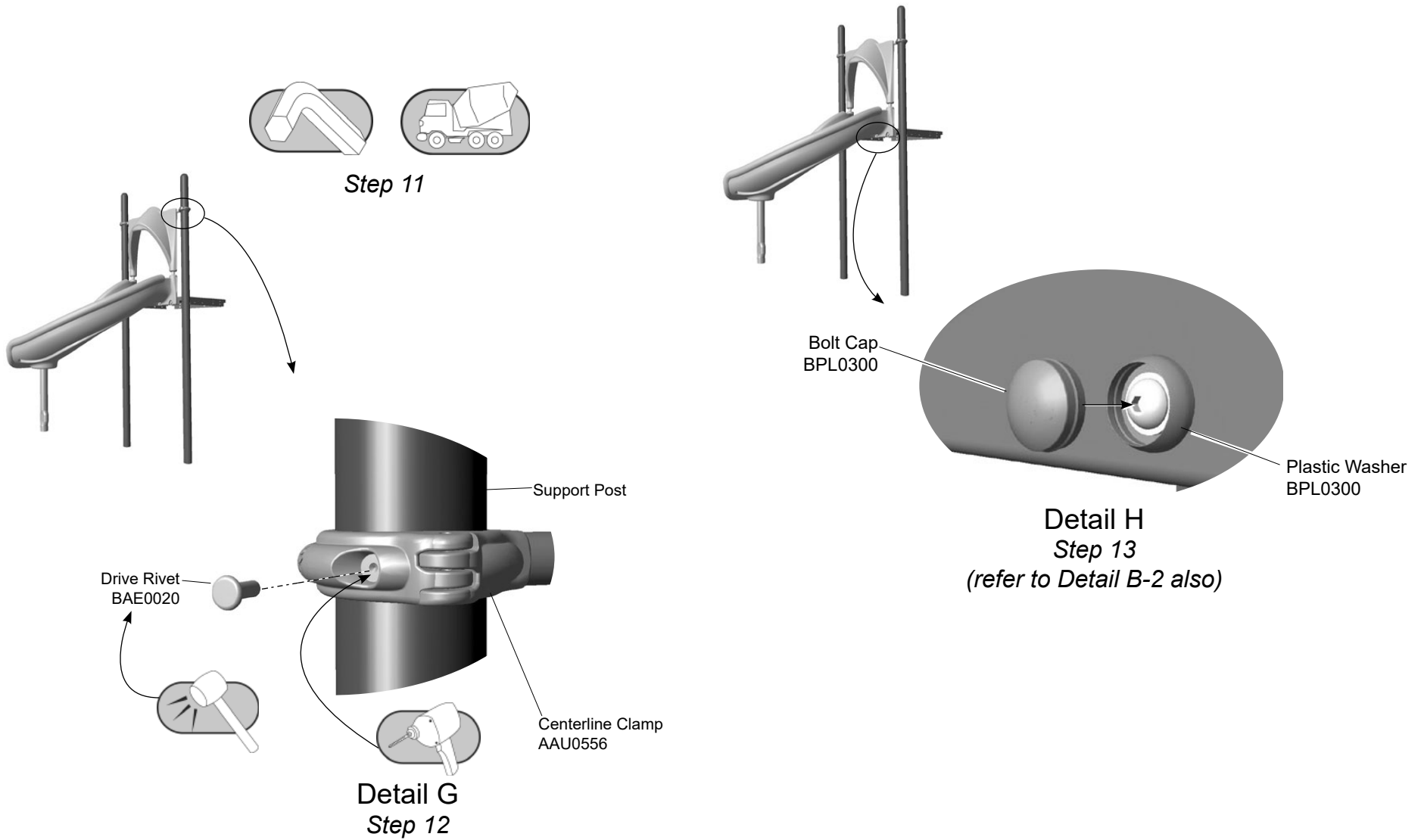
Detail E-2
Step 9



Detail F
Step 10



Installation Instructions



Installation Instructions

Notes Before You Begin: Do not over tighten bolts during assembly, only snug tighten them until assembly is complete. Do not install bolt caps until the structure is completely assembled and properly footed.

Carefully read and understand these installation instructions before you begin.

Step 1: Before attempting to assemble your equipment, please review all installation information carefully. Should you experience any difficulty during the installation process, please call us at the phone number shown on the last page of these instructions.

Step 2: Separate and identify all components and hardware.

Step 3: Lay out the footings as shown on the structure master footing diagram. Excavate the holes as shown in the **Component Footing Details** on page 3 of this installation document.

Attach the exit support post to the slide.

Step 4: Attach the exit support post to slide. See **Detail A**. Select the slide, the exit support post and the appropriate hardware. Place the exit support post into the indentation under the slide. Attach as shown. Fully tighten the connections.

Attach the slide to the deck.

Step 5: Attach the slide to the deck. See **Detail B-1**. Select the slide and the appropriate hardware. Position the slide against the deck and align holes in the slide with those in the deck. Use an alignment tool through the lower outside holes to hold it in place. Make the *upper* attachments from underneath the deck. Attach as shown. *The middle of the slide bedway should be flush to, and level with the deck.* Leave connections loose for alignment adjustments.

Step 6: Make the *lower* attachments to the slide and deck. See **Detail B-2**. Select the appropriate hardware. Make the lower attachments as shown. Leave the connections loose. Do not attach bolt caps until the structure is completely assembled and properly footed.

Step 7: Connect the clamps to the canopy top rail. See **Detail C**. Select (2) two centerline clamps, the top rail and the appropriate hardware. Place a clamp against each end of the top rail and attach as shown. Turn the clamps so that the hinges are on the same side and fully tighten the connections.

Step 8: Attach the top rail to the posts. See **Detail D**. Select the top rail and appropriate hardware. Position the top rail between the posts and close the clamps around the posts. Thread a bolt into each clamp as shown. Move the top rail to approximately 38" (965 mm) above the deck and leave the connections loose.

Secure the canopy to the slide.

Step 9: Position and attach the canopy. See **Details E-1 and E-2**. Select the slide canopy and the appropriate hardware. Place the canopy above the slide and slide the canopy supports into the sockets in the slide until fully seated. The top rail should fit into the indentation in the back of the canopy. Attach the top rail to the canopy as shown. If there is a clamp conflict the top rail can be moved up to 40" (1016 mm).

Step 10: Secure the lower canopy supports to the slide. See **Detail F**. Select (2) two 3/8" x 1" set screws. Thread each screw into the slide until the screw is tight against the canopy supports.

Note: It may be necessary to use a 3/8" -16 tap to clean excess plastic to allow the screw to contact the canopy support.

Final Details.

Step 11: Plumb and level the entire slide. Tighten **all** fasteners keeping all the joints flush and even. Fully tighten all fasteners according to tightening torque specifications. Block and brace for concrete. Pour concrete after all equipment has been assembled. Allow 72 hours for concrete to completely cure. Adjust the exit height of the slide so it will not hold water. See **Elevation View**. The slide height can be adjusted to avoid retaining water but can be no greater than 11 in. (279 mm) from the protective surfacing.

Torque specifications :

Nuts and Bolts: Snug tighten and tighten an additional one-half turn.

Set Screws: Snug tighten and tighten an additional turn.

Step 12: Install drive rivets. See **Detail G**. After the equipment assembly is complete, install a drive rivet in each clamp to permanently secure it to the support post. Using a 1/4" drill bit, drill through the clamp and support post. Insert the drive rivet into drilled hole until the head of the rivet is against the surface of the clamp. Using a hammer, pound the pin of the rivet until it is flush with the surface of the rivet head.

Note: This step should be executed after structure has been assembled and properly footed.

Installation Instructions

__Step 13: Select the plastic bolt caps and press into the plastic washers. See **Details B-2 and H**. The bolt caps install more easily when they are warm.

__Step 14: the hood string entanglement warning label to the equipment at eye level.



CH3129 - 90° GLIDE SLIDE

PART NO.	DESCRIPTION	QTY.
AAU0556	CLAMP - 3-1/2" CENTERLINE DIE CAST	2
AFM1227	FAB. METAL - 1.315" O.D. x 30.50"	1
APT0216	POST - 3-1/2" O.D. x 28-3/4" EXIT SUPPORT	1
BAE0020	RIVET - 1/4" x 11/16" DRIVE	2
BAE0595	WASHER - 3/8" SAE FLAT	6
BAE0600	WASHER - 1" O.D. FLAT	10
BAE0620	NUT - 3/8"-16 LOCK w/NYLON CAP	4
BAE0629	SCREW - 3/8"-16 x 1" SOCKET SET SS	2
BAE0659	BOLT - 3/8"-16 x 3/4" BUTTON HEAD - SS	2
BAE0662	BOLT - 3/8"-16 x 1-1/4" TMPR RESIST w/TORX DRIVE	2
BAE0664	BOLT - 3/8"-16 x 1" BUTTON HEAD - SS	6
BAE0665	BOLT - 3/8"-16 x 1-3/4" BUTTON HEAD - SS	8
BAE0936	WASHER - 3/8" I.D. x 1-1/4" O.D. FENDER	4
BPL0300	CAP - 3/8" BOLT	4
BPL2030	CANOPY - SINGLE GLIDE SLIDE	1
BPL2037	SLIDE - 36" 90° GLIDE	1
ALB0030	LABEL-HOOD STRING ENTNGLMNT WRNG LABEL	1

 **PLAYWORLD**
The world needs play.[®]

For Customer Service, Call
800-233-8404 or
570-522-9800 OUTSIDE U.S.
1000 Buffalo Road • Lewisburg, PA 17837
www.playworldsystems.com



St. Croix Recreation Fun Playgrounds INC.

1826 Tower Dr W
Stillwater, MN 55082 US
16514301247
hannah@stcroixrec.com



ESTIMATE # 4630
DATE 09/18/2020

Estimate

ADDRESS

City of Ramsey
Email:
accountspayable@ci.ramsey.mn.us

SHIP TO

City of Ramsey
Attn: Andy Blood
14100 Jasper St NW
Ramsey, MN 55303

PLEASE DETACH TOP PORTION AND RETURN WITH YOUR PAYMENT.

ACTIVITY	QTY	RATE	AMOUNT
BCI 590-0064 LITTLE DIGGER. Color: Blue	1	732.00	732.00T
Freight Shipping UPS - No call ahead available. If the City prefers an LTL delivery with ABF, freight will be \$315	1	205.00	205.00T

QUOTES ARE EFFECTIVE FOR 30 DAYS.
SALES TAX SUBJECT TO CHANGE. ADD IF NOT TAX EXEMPT OR SUPPLY EXEMPTION CERTIFICATE IF NOT ON FILE OR ADD.
PAYMENT TERMS ARE NET 30 DAYS UNLESS OTHERWISE NOTED.
FAILURE TO PAY IN A TIMELY MANNER MAY INCUR INTEREST.

SUBTOTAL	937.00
TAX (0%)	0.00
TOTAL	\$937.00

ST CROIX RECREATION IS NOT LIABLE FOR INTERPRETATION OF PROJECT BIDS, DRAWINGS OR ADDENDA. IT IS THE CUSTOMER'S RESPONSIBILITY TO VERIFY ACCURACY OF MODEL NUMBER, DESCRIPTION, QUANTITY AND COLOR DIRECTLY WITH ARCHITECT OR END USER.

Accepted By

Accepted Date