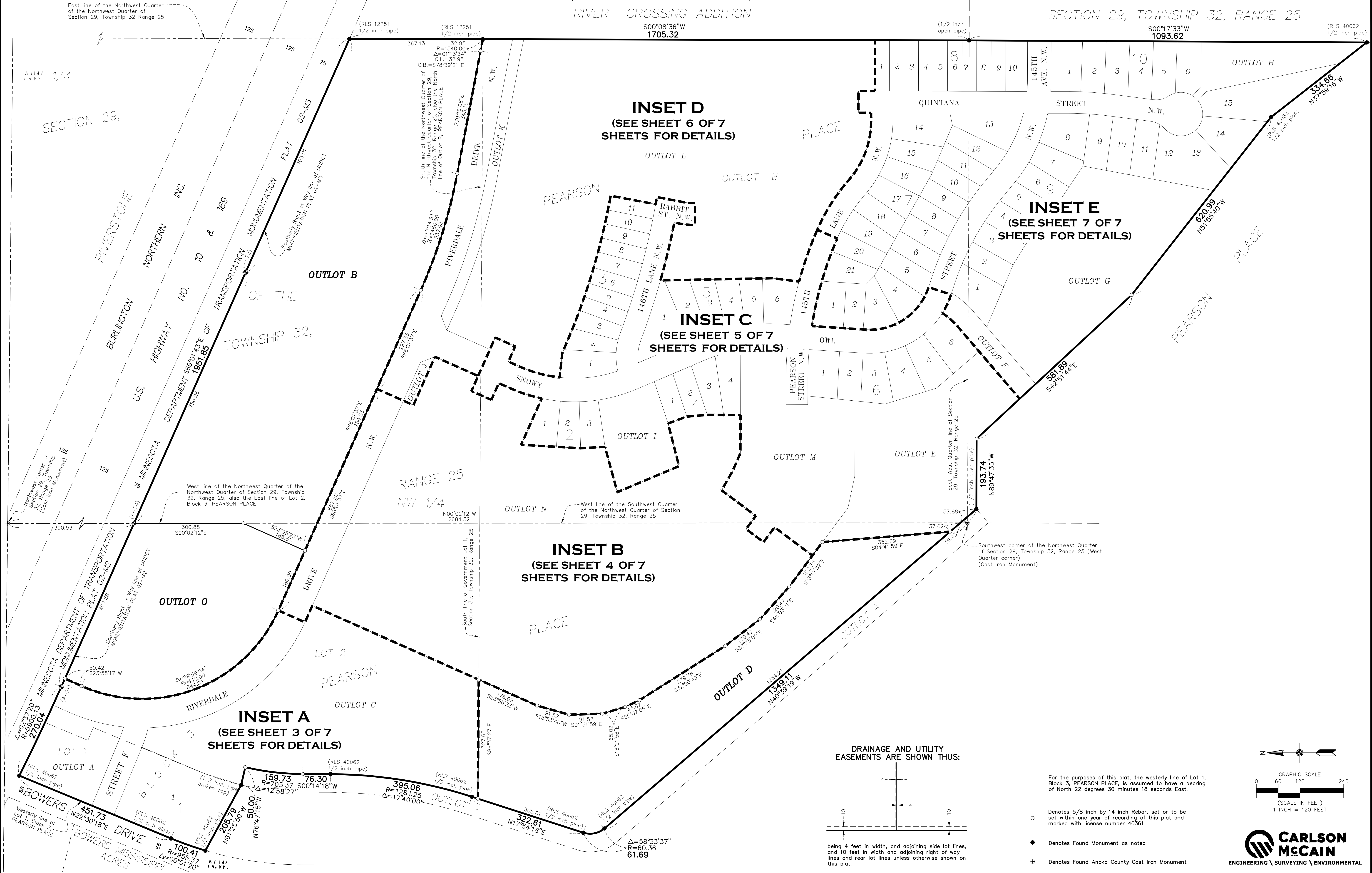


# RIVERSTONE SOUTH

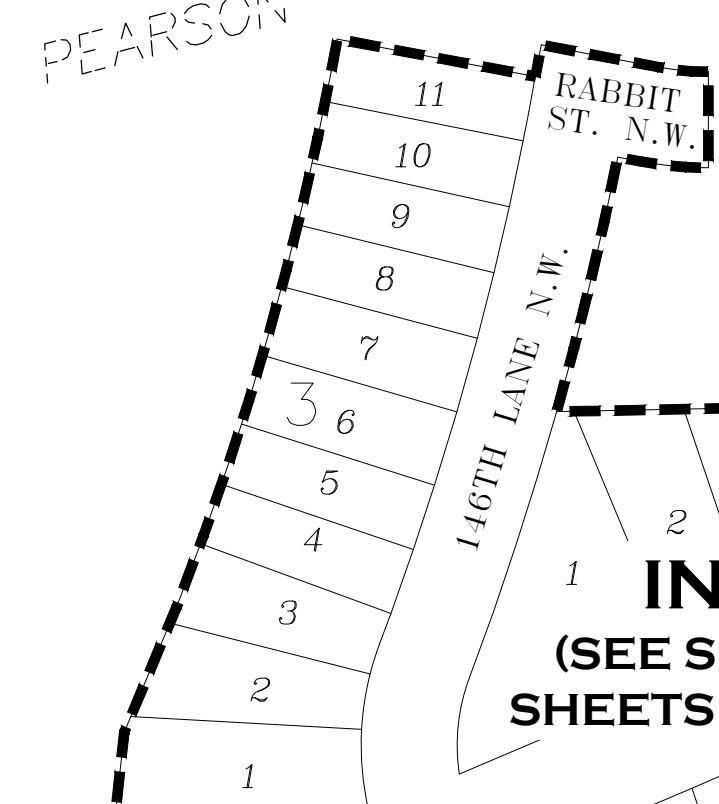
CITY OF RAMSEY  
COUNTY OF ANOKA  
SECS. 29 & 30, TWP. 32, RGE. 25

RIVER CROSSING ADDITION

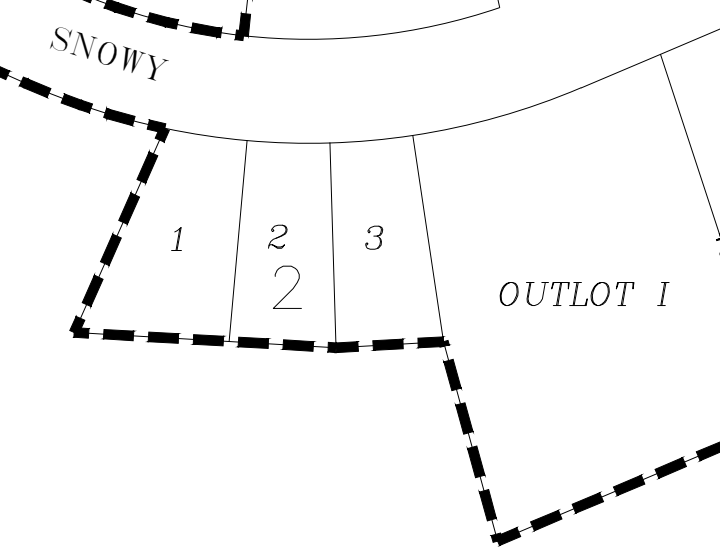
SECTION 29, TOWNSHIP 32, RANGE 25



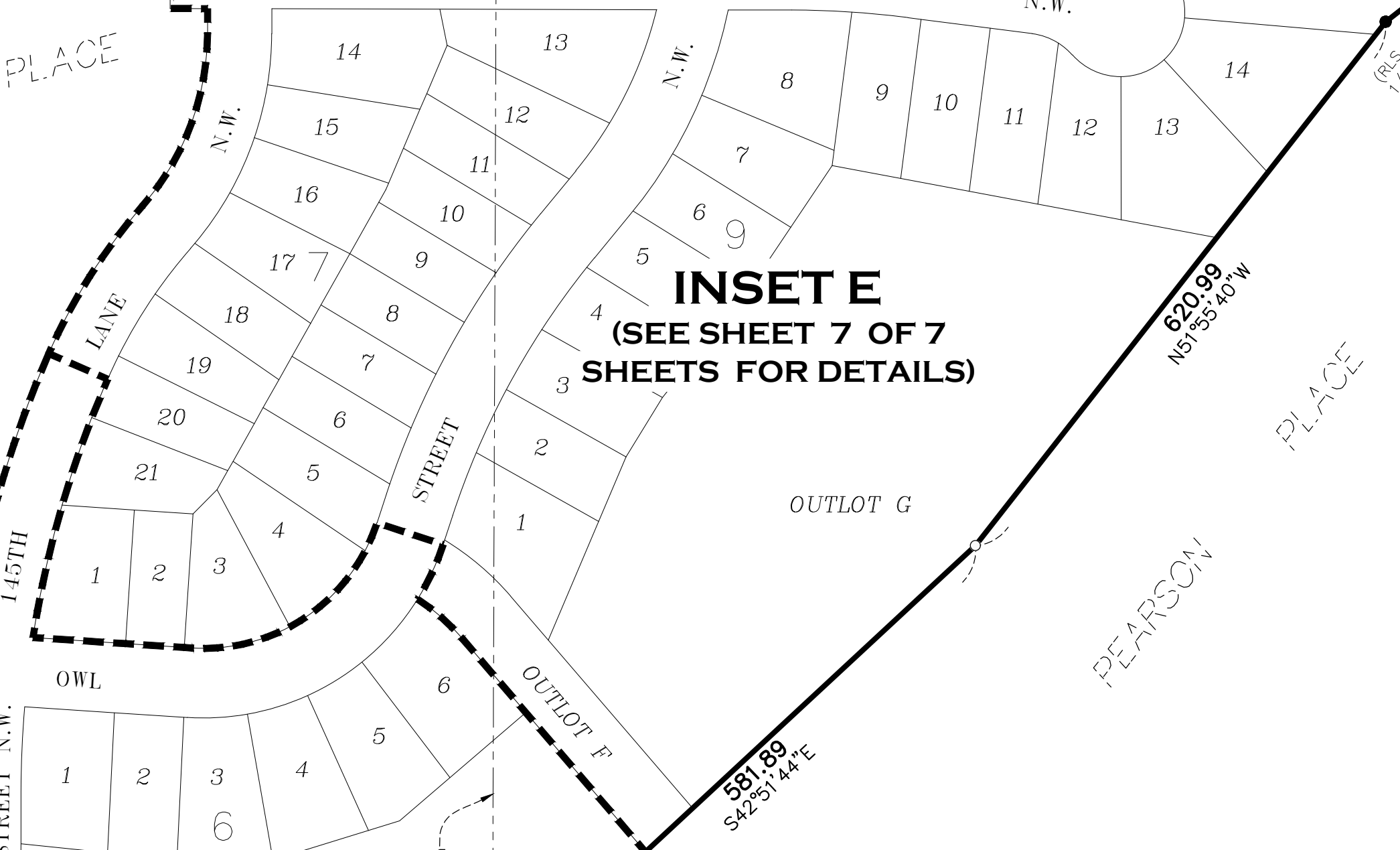
**INSET D**  
(SEE SHEET 6 OF 7 SHEETS FOR DETAILS)



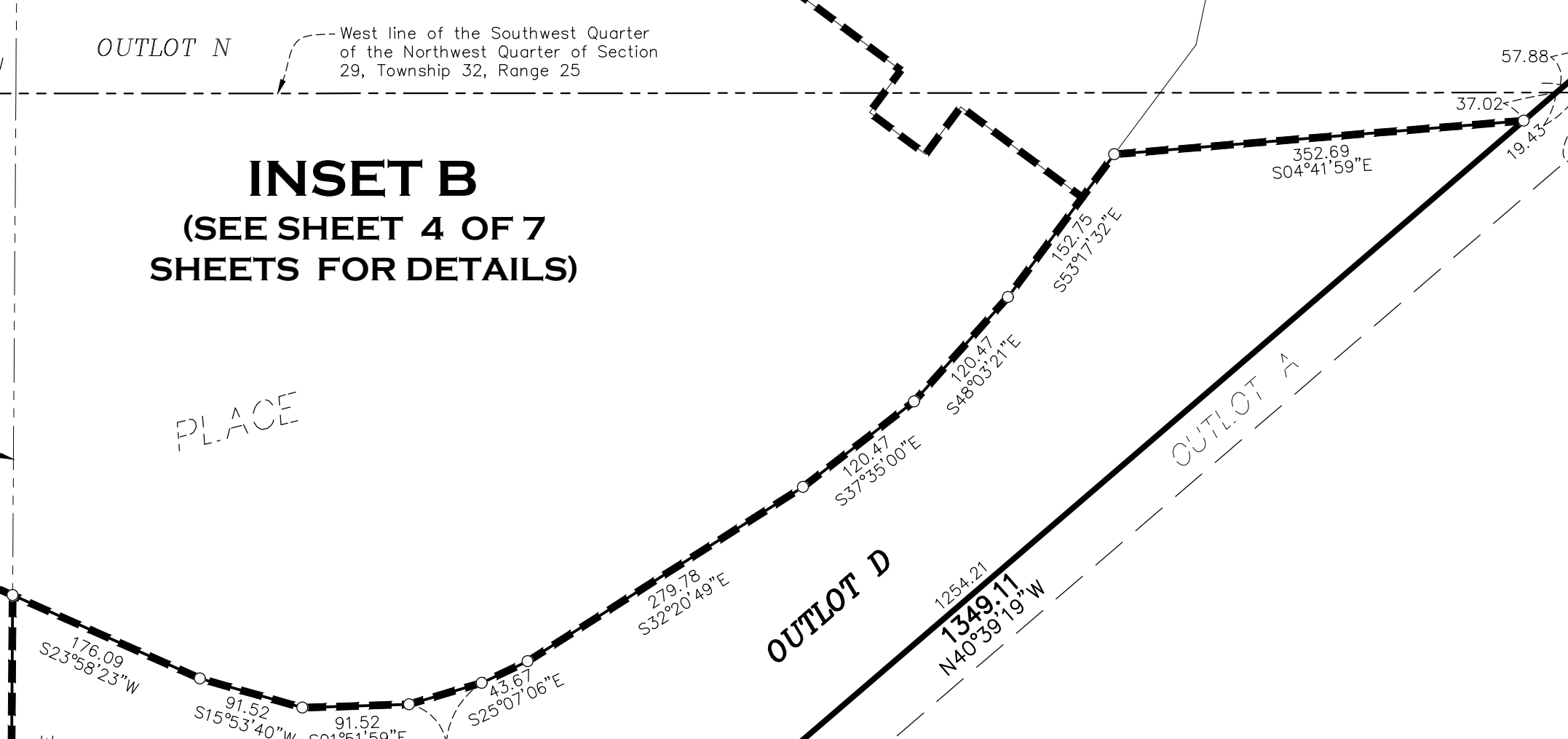
**INSET C**  
(SEE SHEET 5 OF 7 SHEETS FOR DETAILS)



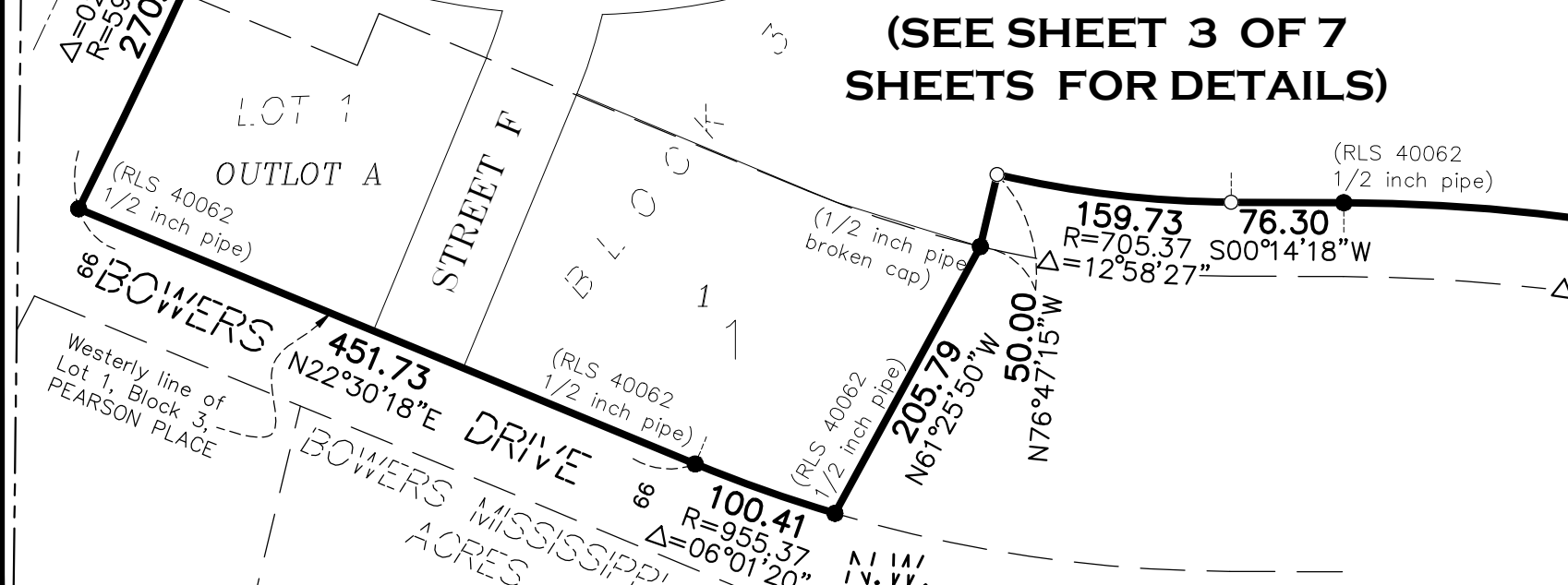
**INSET E**  
(SEE SHEET 7 OF 7 SHEETS FOR DETAILS)



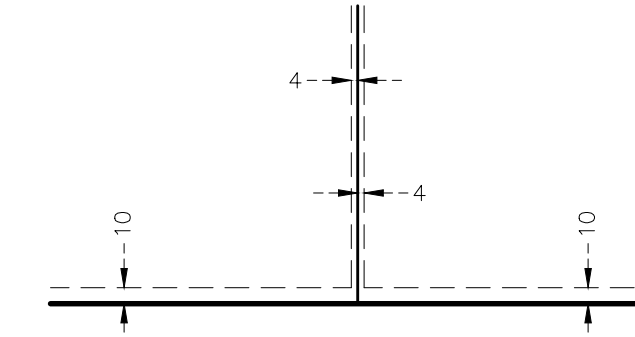
**INSET B**  
(SEE SHEET 4 OF 7 SHEETS FOR DETAILS)



**INSET A**  
(SEE SHEET 3 OF 7 SHEETS FOR DETAILS)

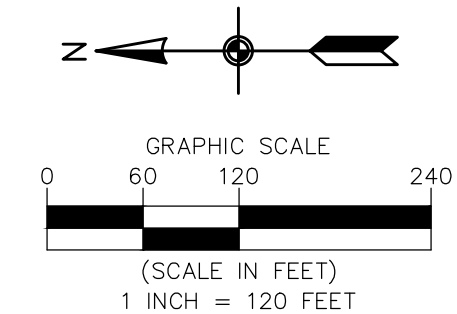


DRAINAGE AND UTILITY EASEMENTS ARE SHOWN THUS:



being 4 feet in width, and adjoining side lot lines, and 10 feet in width and adjoining right of way lines and rear lot lines unless otherwise shown on this plot.

For the purposes of this plot, the westerly line of Lot 1, Block 3, PEARSON PLACE, is assumed to have a bearing of North 22 degrees 30 minutes 18 seconds East.



- Denotes 5/8 inch by 14 inch Rebar, set or to be set within one year of recording of this plot and marked with license number 40361
- Denotes Found Monument as noted
- ⊙ Denotes Found Anoka County Cast Iron Monument

