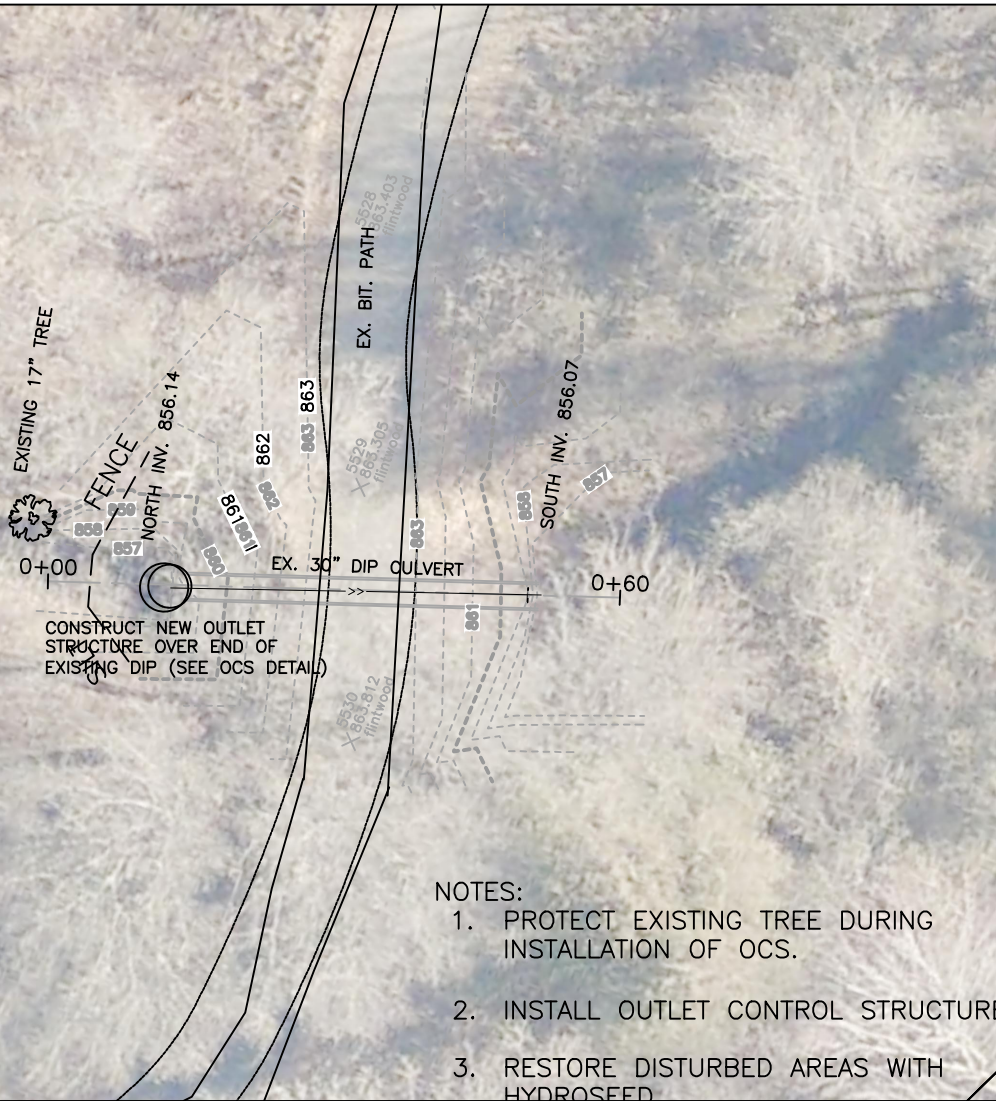
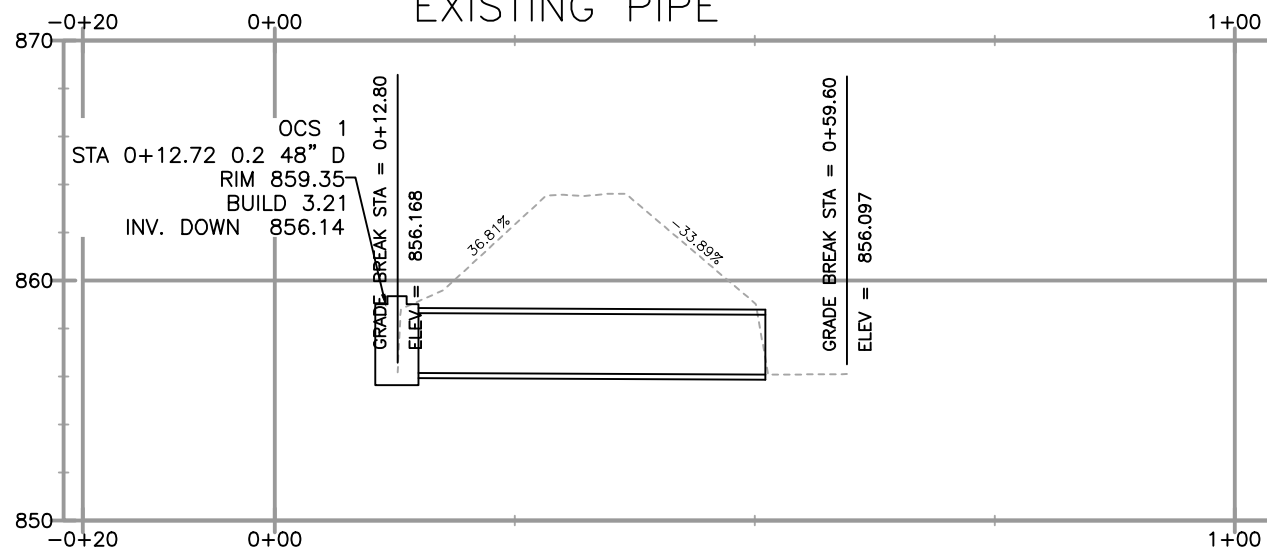


26-32-25-44-0030
5455

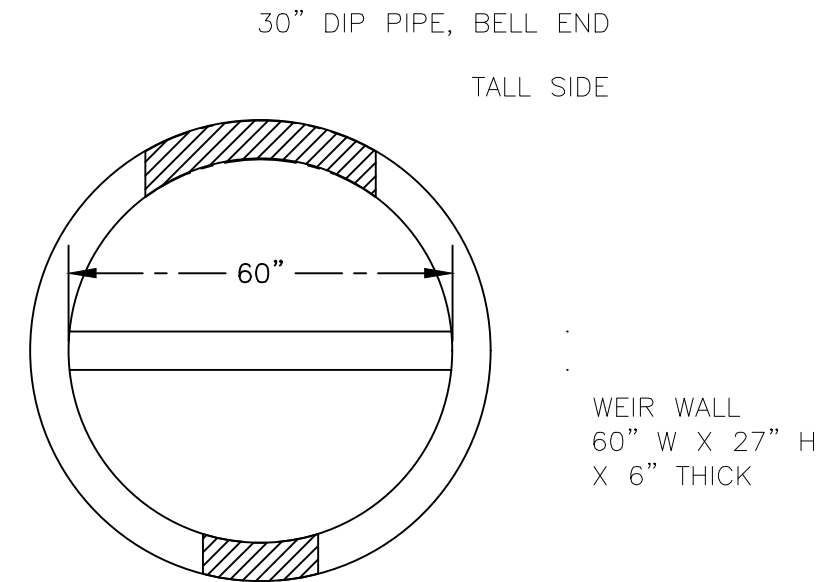


- NOTES:
1. PROTECT EXISTING TREE DURING INSTALLATION OF OCS.
 2. INSTALL OUTLET CONTROL STRUCTURE (OCS)
 3. RESTORE DISTURBED AREAS WITH HYDROSEED

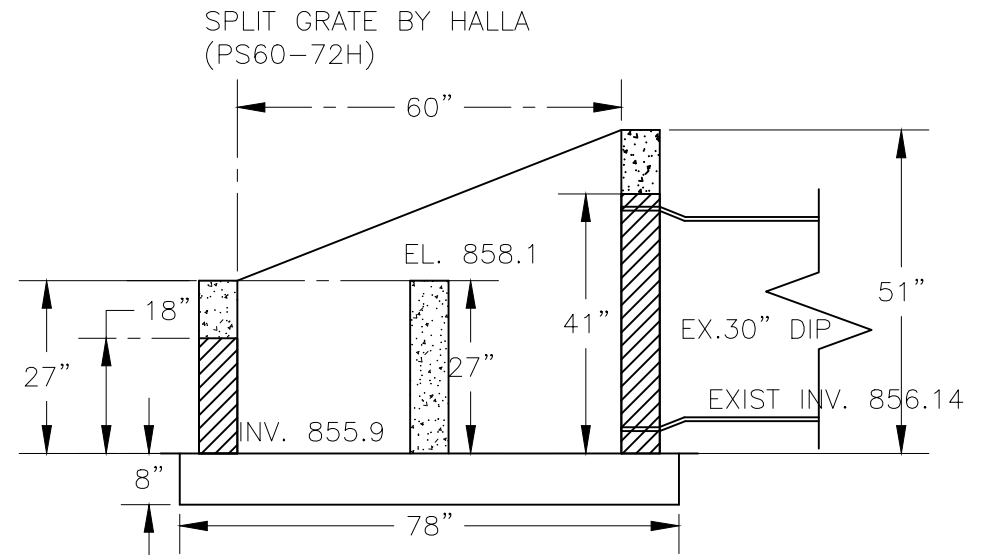
PLAN VIEW
EXISTING PIPE



PROFILE VIEW



18" DOG - NO PIPE
PLAN VIEW



PROFILE VIEW
OCS DETAIL

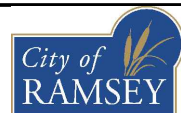
DATE	REVISION

I hereby certify that this plan, specification, or report was prepared by me or under my direct supervision and that I am a duly Licensed Professional Engineer under the laws of the State of Minnesota

DRAFT
Engineer
Date X/XX/XX Lic. No. XXXXX

DESIGNED BY: LLL
DRAWN BY: LLL
CHECKED BY: LLL

DATE: 8/10/22
FILE No. 19-07



CITY OF RAMSEY
7550 SUNWOOD DRIVE
RAMSEY, MN 55303
(763) 427-1410 FAX (763) 433-9898

PROFILE & DETAILS

WETLAND 114P OUTLET MODIFICATIONS
CITY PROJECT NO. 19-07
CITY OF RAMSEY, MINNESOTA