



September 19, 2023

Bruce Westby
 City of Ramsey
 7550 Sunwood Drive NW
 Ramsey, MN 55303

Re: Water Treatment Plant – Construction Contingency Expense No. 1

Dear Mr. Westby:

AE2S continues to oversee the construction of Ramsey’s new WTP. Magney has poured the foundation in the Reservoir and some of the exterior walls and has started to pour foundations in the Water Treatment Plant. Our engineering team has continued to coordinate with Magney and further refine the installation details of other pieces of equipment. Through those investigations we have identified some items that will require adjustments. This letter is intended to outline those adjustments and summarize the current project budget in order for Ramsey to fully understand the status of the project.

Basis for of Construction Contingency Expenses:

Currently 6 requests for pricing (RFP) have been submitted to Magney. A full list of those requests are shown below. To date AE2S has received pricing back on three of the RFP’s and we would like to move forward with Construction Contingency Expense No. 1, which will include price RFP 001, 003, and 006. The Contractor has included a request for extension in RFP 001 and RFP 006. More information has been requested before approving the time extensions. If an extension is approved to extend the substantial completion date, that will result in a Change Order issued at a different time.

| Expense No. | RFP No. | Description | Total Cost | Extension (days) | Required | Status |
|-------------|---------|---|-------------|------------------|----------|---------------------------|
| 1 | 001 | Mixing Pumps Pipe Upsizing | \$51,287.38 | 14 | Y | Pending Expense |
| | 002 | Upsizing Air Exchange in Plate Settler Room | Pending | | | Under Review - Contractor |
| 1 | 003 | Admin Ceiling Grid Color | \$2,609.25 | | N | Pending Expense |
| | 004 | Blower Pipe Upsizing | Pending | | | Under Review - Contractor |
| | 005 | Flowable Fill | Pending | | | Under Review - Contractor |
| 1 | 006 | Storm and Plumbing Updates | \$22,550.28 | 88 | Y | Pending Expense |

Note: Any extension delays will be approved as a separate Change Order and will not be included in this Construction Contingency Expense.

RFP No. 001: Mixing Pumps Pipe Upsizing:

The Backwash Tank mixing system manufacturer is recommending that the suction and discharge piping on the mixing pump be upsized from the proposed 6” to 14” to meet the required mixing flow rate. This change will not alter the price of the mixing system package that will be supplied by the manufacturer. However, it will require Magney to upsize the pipes and valves from the pump to the tank.

| | | | |
|--|-------------------------|---|--|
| SEND TO | | | |
| Company name AE2S | | From Kevin Vranicar | |
| Attention Mr. Ryan Hanson | | Date 5/16/2023 | |
| E-mail Ryan.Hanson@ae2s.com | Phone (612) 220-0154 | Proposal # 001 - Jet Mixing Piping Modifications | |

Urgent
 Please comment
 Please review
 For your information

Total pages, including cover: 9

COMMENTS

Re: Ramsey Water Treatment Plant - Ramsey, MN

Ryan,

Magney Construction, Inc. is pleased to present the following quotation to modify and upsize the specified 6-inch piping, fittings, valves, nuts, bolts and gaskets to the required 14-inch piping, fittings, valves, nuts, bolts and gaskets. Treatment Resources is also recommending changing the jet mixing pumps, which comes with a substantial credit. The costs associated with this change are summarized below.

| | | |
|---|----|------------------|
| Labor: Additional Labor Required for 14" Pipe vs. 6" Pipe | \$ | 9,922.50 |
| Material: Additional Costs for 14" vs. 6" Pipe, Fittings, Valves, N,B&G, (incl. tax) | \$ | 54,156.60 |
| Equipment: Misc. Small Tools and Equipment (10% of Labor) | \$ | 992.25 |
| Subcontractor: Fresh Blast Painting | \$ | 450.00 |
| Subtotal | \$ | 65,521.35 |
| General Contractor's Overhead | \$ | 9,783.20 |
| Bond & Insurance premiums | \$ | 982.82 |
| Lump Sum Total: | \$ | 76,287.38 |

| | | |
|----------------------------------|----|--------------------|
| Proposed Lump Sum Credit: | \$ | (25,000.00) |
|----------------------------------|----|--------------------|

Treatment Resources has proposed changing the jet mixing pumps from Warman to Peerless. The horsepower will drop from 50 HP to 25 HP, but will still deliver the design duty points specified and will perform well in this application. Please review the attached Peerless pump cut sheets.

| | | |
|---------------------|----|------------------|
| Grand Total: | \$ | 51,287.38 |
|---------------------|----|------------------|

| | |
|---|-------------|
| Additional Working Days Required for this Change (Including material lead time): | 14.0 |
|---|-------------|

Please review this proposal and feel free to contact me with any questions, comments or concerns.

Thank you,



Kevin Vranicar
Vice President

| |
|------------------------------|
| |
| Accepted By _____ Date _____ |

Customer Price Sheet Total Only

| | | | |
|--------------------|---------------------|-------------------------------------|-------------|
| Project name | Jet Water Pumps | Quote Number / ID | |
| Customer | Treatment Resources | Model / Stages | 10AE14A / 1 |
| Tag Number | 001, 002 | Flow, rated | 3,150 USgpm |
| Customer ref. / PO | | Differential head / pressure, rated | 24.00 ft |
| | | Speed, rated | 865 rpm |

| | | | |
|-----------------|--------|--|--|
| Lead Time Total | 19 wks | | |
|-----------------|--------|--|--|

Pump

| Qty | Description |
|-----|---|
| 1 | 10AE14A Scope of Supply Scope Pump Type Pump Type: New Pump Scope of Supply: Complete Unit (Pump, Motor, Base, Cplg and Grd) |
| | General Pump Construction Materials Pump Material: Cast Iron Bronze Fitted Rings, Horiz Mount Pump Rotation: Clockwise (Right Hand) |
| 1 | Casing: CI Casing Assembly 125lb/125lb ANSI Flanges |
| 1 | Gaskets: Hardware & Split Flange Gasket for Casing |
| | Impeller Configuration: Standard |
| 1 | Impeller Material: Bronze Impeller with with 11-13% Cr Bronze |
| 2 | Casing Ring Material: 11-13% Bronze Casing Rings w/ Extra Clearance Shaft |
| | Configuration: Single Row Outboard Bearing |
| 1 | Shaft Material: CW (RH) Shaft - Steel, Single Row Outboard Bearing Shaft Sleeve |
| 1 | Material: 304 SS Shaft Sleeves (set) |
| 1 | Bearing Lubrication: Standard Grease Lubricated Ball Bearings |
| 1 | Bearing Protection: Single Row Outboard/Inboard Brgs with Std Lip Seals Coating: Standard Blue Enamel |
| | Seal & Packing Construction Seal Options Seal Type: Mechanical |
| 1 | Seal Material: JC, Tp 21, 32-225°F, Carbon/Ceramic, Buna-N, 316SS (Set of 2) |
| 1 | Seal Piping: Mechanical Seal Flush Piping - 18-8 Stn Steel |
| | Mounting Parts Base & Coupling Options |
| 1 | Base: Fabricated Steel Drip Rim Base |
| 1 | Coupling Type & Size: T B Wood, Sureflex Flexible Coupling: 9SJES |
| 1 | Coupling Guard: ANSI B15.1 Coupling Guard, Steel |
| | Motor Driver Motor Type Site Voltage: 460 volt, 3 phase |

| Qty | |
|-----|--|
| | |

Certification & Documentation

| Qty | Description |
|-----|---|
| 1 | Drawings: Standard dimensional print on 'A' size format - factory generated |
| 1 | Drawings: Standard cross sectional print on 'A' size format - factory generated |
| 1 | Drawings: Standard computer generated BOM (standard ERP output) |
| 1 | Installation and Operation manuals (IOMs): Standard Peerless IOM (www.peerlesspump.com) |

Motor

| Qty | Description |
|-----|---|
| 1 | Motor Driver Motor Type Motor Enclosure: TEFC Motor Efficiency: NEMA Premium Motor Phase: Three Phase |
| 1 | Selected Motor: 25Hp 880R 326T 460V 3Ph 60Hz PremEff GE Motor # 5KS326SAA408 Pump Speed will be controlled with VFD Special Motor Frame Size: Configured Motor 25 hp 326T Frame 900 RPM |

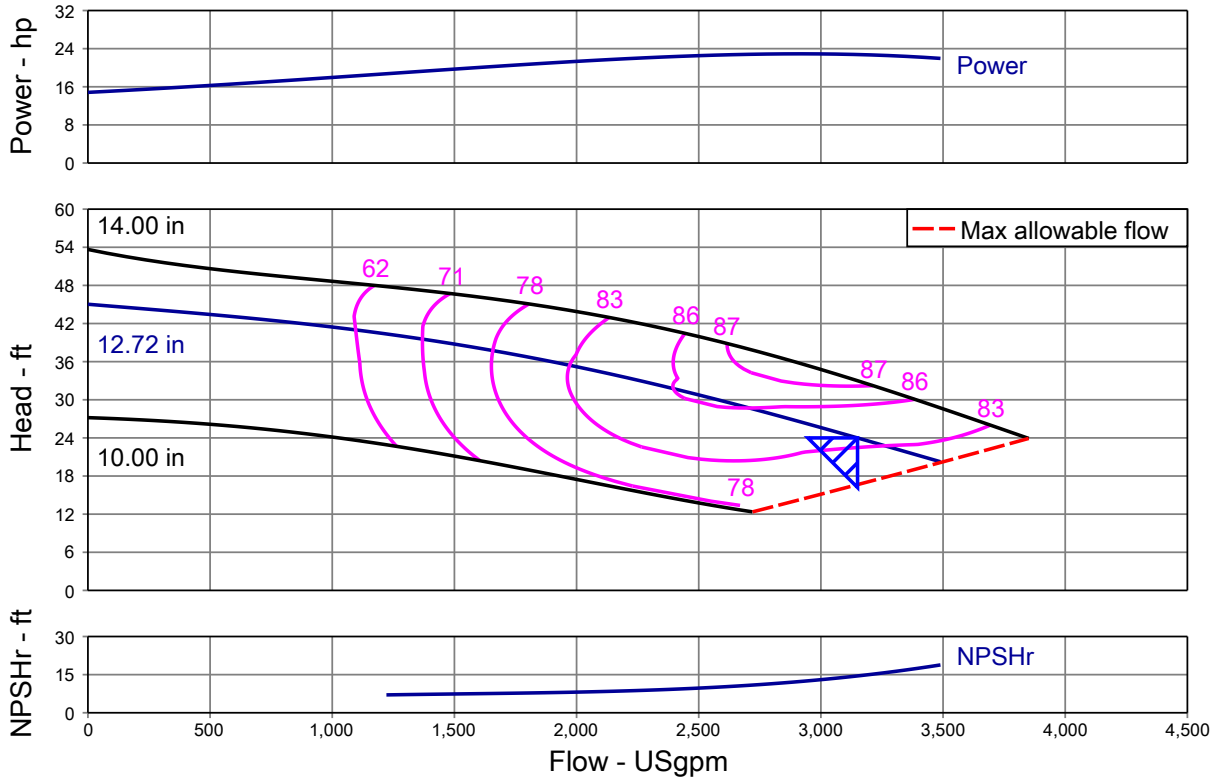
Pump Performance Datasheet

| | |
|--------------------------------|--|
| Customer : Treatment Resources | Quote Number / ID : |
| Customer ref. / PO : | Peerless Model : 10AE14A |
| Tag Number : 001 | Stages : 1 |
| Service : | Based on curve number : 10AE14A-865 Rev Mar 2018 |
| Quantity : 1 | Date last saved : 05 May 2023 4:07 PM |

| Operating Conditions | | Liquid | |
|---|-----------------------------|------------------------------------|-------------------------------------|
| Flow, rated | : 3,150 USgpm | Liquid type | : Cold Water |
| Differential head / pressure, rated (requested) | : 24.00 ft | Additional liquid description | : |
| Differential head / pressure, rated (actual) | : 23.99 ft | Solids diameter, max | : 0.00 in |
| Suction pressure, rated / max | : 5.00 / 5.00 psi.g | Solids concentration, by volume | : 0.00 % |
| NPSH available, rated | : Ample | Temperature, max | : 68.00 deg F |
| Site Supply Frequency | : 60 Hz | Fluid density, rated / max | : 1.000 / 1.000 SG |
| | | Viscosity, rated | : 1.00 cP |
| | | Vapor pressure, rated | : 0.34 psi.a |
| Performance | | Material | |
| Speed, rated | : 865 rpm | Material selected | : Cast Iron - 125# Discharge |
| Impeller diameter, rated | : 12.72 in | | |
| Impeller diameter, maximum | : 14.00 in | Pressure Data | |
| Impeller diameter, minimum | : 10.00 in | Maximum working pressure | : 24.49 psi.g |
| Efficiency | : 83.81 % | Maximum allowable working pressure | : 175.0 psi.g |
| NPSH required / margin required | : 14.5 / 0.0 ft | Maximum allowable suction pressure | : 300.0 psi.g |
| Ns (imp. eye flow) / Nss (imp. eye flow) | : 2,259 / 5,552 US Units | Hydrostatic test pressure | : N/A |
| MCSF | : 1,169 USgpm | | |
| Head, maximum, rated diameter | : 45.03 ft | Driver & Power Data (@Max density) | |
| Head rise to shutoff | : 87.69 % | Motor sizing specification | : Rated power (based on duty point) |
| Flow, best eff. point | : 2,548 USgpm | Margin over specification | : 0.00 % |
| Flow ratio, rated / BEP | : 123.63 % | Service factor | : 1.15 |
| Diameter ratio (rated / max) | : 90.86 % | Power, hydraulic | : 19.1 hp |
| Head ratio (rated dia / max dia) | : 72.72 % | Rated power (based on duty point) | : 22.8 hp |
| Cq/Ch/Ce/Cn [ANSI/HI 9.6.7-2010] | : 1.00 / 1.00 / 1.00 / 1.00 | Max power (non-overloading) | : 22.9 hp |
| Selection status | : Acceptable | Nameplate motor rating | : 25.0 hp / 18.6 kW |

Performance based on test acceptance - Hyd Ins 14.6 Bilateral (2B)

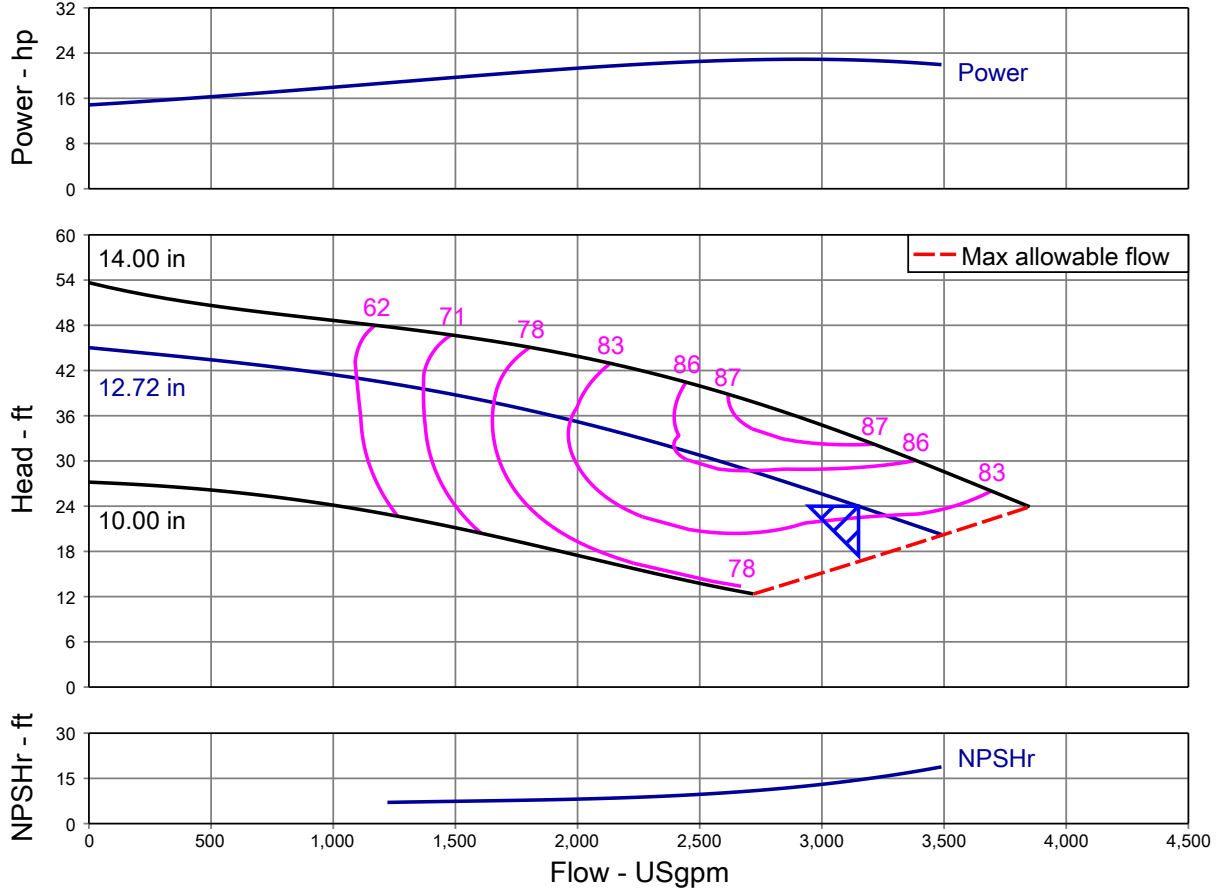
Performance curve represents typical performance. When tested, only the design flow and head are guaranteed. Contact factory for additional requirements.



Pump Performance Curve

Performance based on test acceptance - Hyd Ins 14.6 Bilateral (2B)

Performance curve represents typical performance. When tested, only the design flow and head are guaranteed. Contact factory for additional requirements.

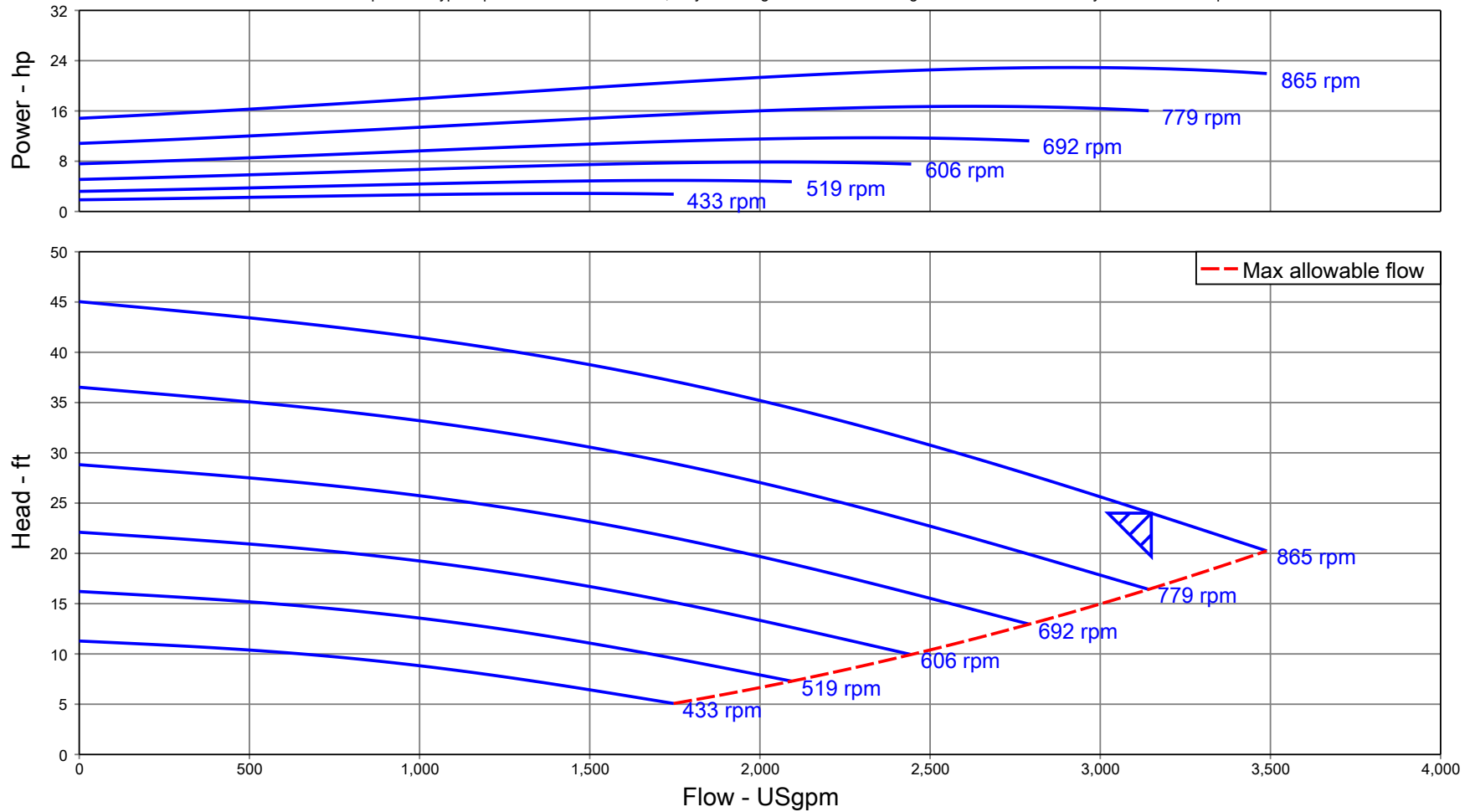


| | |
|--|--|
| Customer : Treatment Resources | Peerless Model : 10AE14A |
| Customer ref. / PO : | Stages : 1 |
| Tag Number : 001 | Speed, rated : 865 rpm |
| Service : | Based on curve number : 10AE14A-865 Rev Mar 2018 |
| Quantity : 1 | Efficiency : 83.81 % |
| Quote Number / ID : 1951129 | Rated power (based on duty point) : 22.8 hp |
| Date last saved : 05 May 2023 4:07 PM | Max power (non-overloading) : 22.9 hp |
| Flow, rated : 3,150 USgpm | NPSH required : 14.5 ft |
| Differential head / pressure, rated : 24.00 ft | Viscosity : 1.00 cP |
| Fluid density, rated / max : 1.000 / 1.000 SG | Cq/Ch/Ce/Cn [ANSI/HI 9.6.7-2010] : 1.00 / 1.00 / 1.00 / 1.00 |

| Flow (USgpm) | Head (ft) | Efficiency (%) | Power (hp) | NPSHr (ft) | Thrust, total (lbf) |
|--------------|-----------|----------------|------------|------------|---------------------|
| 0 | 45.03 | 0.00 | 14.8 | - | - |
| 388 | 43.80 | 26.91 | 15.9 | - | - |
| 775 | 42.41 | 48.31 | 17.2 | - | - |
| 1,163 | 40.66 | 64.44 | 18.5 | - | - |
| 1,551 | 38.44 | 75.70 | 19.9 | 7.5 | - |
| 1,939 | 35.69 | 82.59 | 21.1 | 8.0 | - |
| 2,326 | 32.40 | 85.77 | 22.2 | 9.0 | - |
| 2,714 | 28.64 | 85.98 | 22.8 | 10.9 | - |
| 3,102 | 24.52 | 84.14 | 22.8 | 14.0 | - |
| 3,489 | 20.25 | 81.24 | 22.0 | 18.8 | - |

Multi-Speed Performance Curve

Performance based on test acceptance - Hyd Ins 14.6 Bilateral (2B)
 Performance curve represents typical performance. When tested, only the design flow and head are guaranteed. Contact factory for additional requirements.



| | | |
|---------------------------------------|--------------------------|--|
| Project name : Jet Water Pumps | Tag Number : 001 | Speed, rated : 865 rpm |
| Commissioned : | Service : | Flow, rated : 3,150 USgpm |
| Representative : | Peerless Model : 10AE14A | Differential head / pressure, rated : 24.00 ft |
| Customer : Treatment Resources | Quantity : 1 | Fluid density, rated / max : 1.000 / 1.000 SG |
| Customer ref. / PO : | Stages : 1 | Viscosity : 1.00 cP |
| Quote Number / ID : 1951129 | | Cq/Ch/Ce/Cn [ANSI/HI 9.6.7-2010] : 1.00 / 1.00 / 1.00 / 1.00 |
| Date last saved : 05 May 2023 4:07 PM | | Based on curve number : 10AE14A-865 Rev Mar 2018 |

Project name : Jet Water Pumps Tag Number : 001
 Commissioned Representative : Service :
 Customer : Treatment Resources Model : 10AE14A
 Customer ref. / PO : Quantity : 1
 Quote Number / ID : 1951129 :
 Date last saved : 05 May 2023 4:07 PM

Construction

| Nozzle | Size (in.) | Nozzle Configuration | Pos'n |
|-----------|------------|----------------------|-------|
| Suction | 12 | 125# ANSI | - |
| Discharge | 10 | 125# ANSI | - |

Orientation / Configuration : Horizontal Split Case Single Stage
 Rotation : Clockwise
 Wear Ring Configuration : with 11-13% Cr wear ring
 Impeller Configuration : Standard
 Shaft Configuration : Single Row Outboard Bearing
 Sump Depth (feet) :
 Bearing Frame :
 Bearing Frame Foot :
 Bearing Type (Radial/Thrust) :
 Bearing Lubrication : Standard Grease Lubricated Ball Bearings
 Thrust Bearing :
 Intermediate Bearing :
 Lower Bearing :
 Bearing Housing Accessories :
 Peerless Pump Model : 10AE14A - All Brnz Imp w/brnz Rings Horiz Mount, Mechanical With CI Casing Assembly 125lb/125lb ANSI Flanges

Baseplate, Coupling, and Guard

Baseplate : Fabricated Steel Drip Rim Base
 Drip Pan :
 Coupling : T B Wood, Sureflex Flexible Coupling
 Guard : ANSI B15.1 Coupling Guard, Steel

Seal & Packing Construction

Sealing Method : Mechanical
 Seal Material : JC, Tp 21, 32-225°F, Carbon/Ceramic, Buna-N, 316SS (Set of 2)
 Packing Gland :
 Lantern Ring :
 Recirculation Lines : Mechanical Seal Flush Piping - 18-8 Stn Steel

Weights (Approx.)

Pump : 1,380 lb
 Baseplate : 337 lb
 Driver : 0 lb
 Estimated Shipping Gross Weight : 1,717 lb

Motor Information

Manufacturer : N/A
 Frame Size : 326T
 Power : 0.0 hp
 RPM : 900 rpm
 Enclosure : TEFC
 Operating Power Supply : 460/3/60
 Efficiency : Premium
 Service Factor : N/A
 Motor Application :
 Motor Options / Accessories :
 Catalog Number :

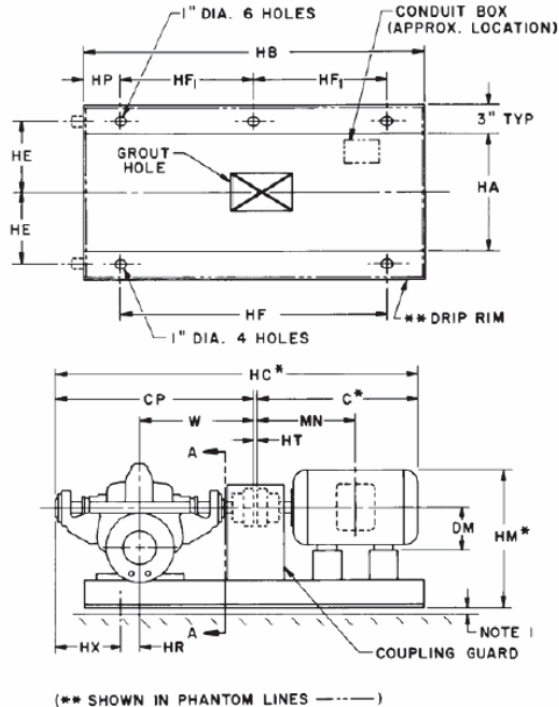
Materials

Case
 Ring, Casing
 Impeller
 Impeller Wear Ring
 Impeller Key
 Gasket, Casing
 Coating
 Pump Shaft
 Sleeve
 Line Shaft :
 Column :
 Discharge Pipe :
 Discharge Elbow :
 Suction Elbow :
 Subplate :
 Hardware :
 O-rings :
 Pump Coating : Standard Blue Enamel

General Arrangement Drawing

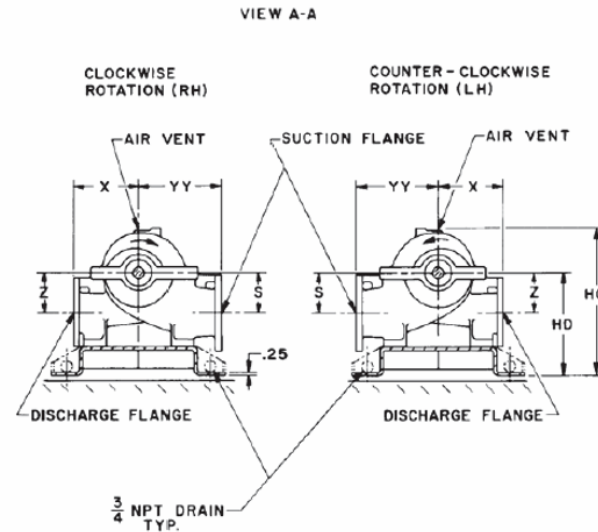
Project name : Jet Water Pumps
 Commissioned :
 Representative :
 Customer : Treatment Resources
 Customer ref. / PO :
 Quote Number / ID : 1951129
 Date last saved : 05 May 2023 4:07 PM

Tag Number : 001
 Service :
 Model : 10AE14A
 Quantity of pumps : 1



Note 1: Customer must fill base with grout and allow for .75 to 1.50 inch grout thickness between top of foundation and bottom of base

Note 2: Unit installation and final coupling alignment must be done by the installing contractor per Peerless Pump Company Installation Bulletin 2880549.



| Units | Frame | CP | S | W | X | YY | Z | C | DM | HC | HD | HM | HO | HR | HT | HX | MN | HA | HB | HE |
|--------|-------|-------|----|----|----|-------|----|----|----|----|----|------|----|----|------|-------|------|----|----|------|
| Inches | 326T | 42.75 | 11 | 24 | 15 | 18.75 | 11 | 32 | 8 | 75 | 22 | 30.5 | 34 | 7 | 0.25 | 11.75 | 16.5 | 24 | 72 | 13.5 |

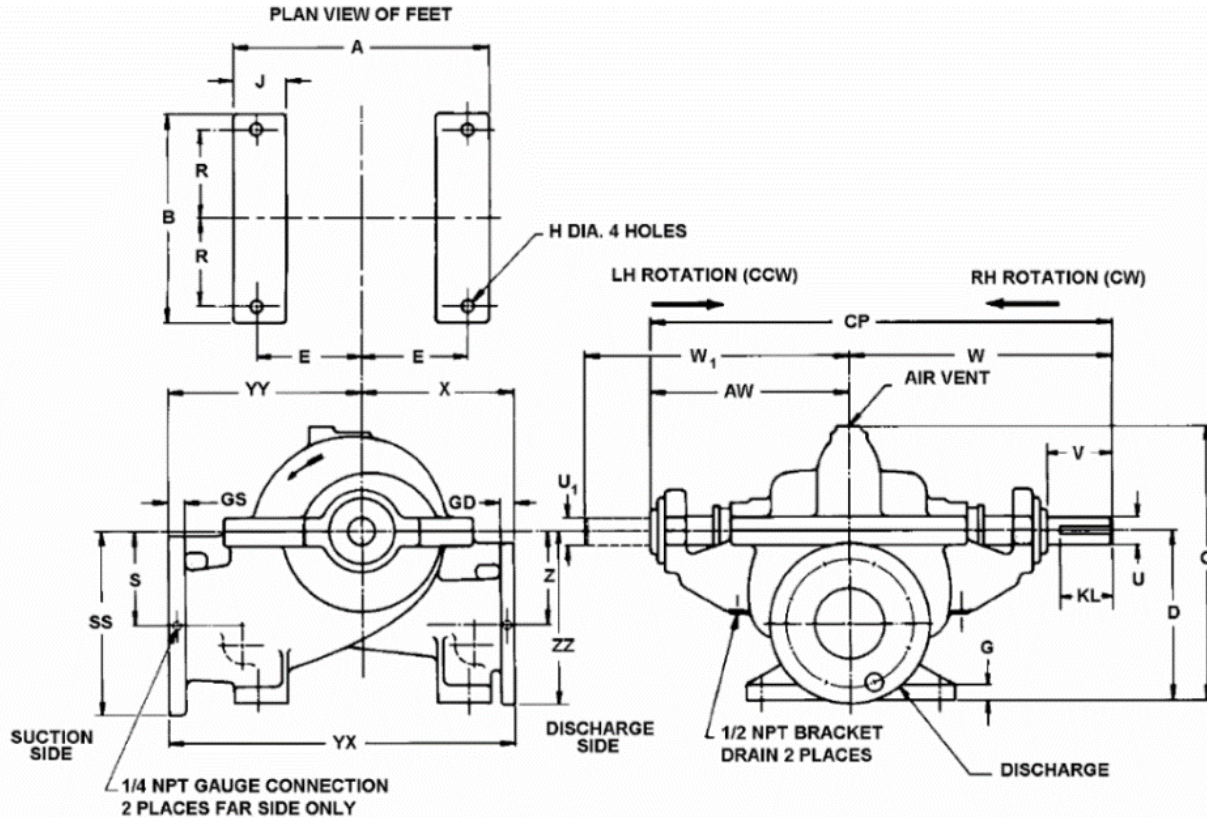
| | | | | | | | | |
|----------------|--------|------------------|-------------|----------------|------------------------|----|-----|----|
| Suction size | 12 in. | Suction flange | 125 lb ANSI | Base Furnished | Yes | HF | HF1 | HP |
| Discharge size | 10 in. | Discharge flange | 125 lb ANSI | Rotation | Clockwise (Right Hand) | 0 | 30 | 6 |

| | | | | | | | | | |
|------|-------------|-------|------------|-------------------|----------|-----------|------|-----------------|----------|
| Flow | 3,150 USgpm | Fluid | Cold Water | Impeller Diameter | 12.72 in | Enclosure | N/A | Service Factor | N/A |
| TDH | 24.00 ft | Temp | 68 F | Pump Speed | 865 RPM | Power | 0 Hp | Electrical Spec | 3/460/60 |

| | | | | | | | | | |
|-------------|----------|--------------|-------|-------------|---------|-----------------|-------|--------------|----------|
| Pump Weight | 1380 lbs | Motor Weight | 0 lbs | Base Weight | 330 lbs | Coupling Weight | 7 lbs | Total Weight | 1717 lbs |
|-------------|----------|--------------|-------|-------------|---------|-----------------|-------|--------------|----------|

General Arrangement Drawing

| | |
|---------------------------------------|-----------------------|
| Project name : Jet Water Pumps | Tag Number : 001 |
| Commissioned Representative : | Service : |
| Customer : Treatment Resources | Model : 10AE14A |
| Customer ref. / PO : | Quantity of pumps : 1 |
| Quote Number / ID : 1951129 | |
| Date last saved : 05 May 2023 4:07 PM | |



| Units | A | AW | B | CP | D | E | G | GD | GS | H | J | KL | O | R | S | SS | U | U1 | V | W |
|--------|----|-------|----|-------|----|-----|------|------|----|---|---|----|------|-----|----|------|------|-----|------|----|
| Inches | 22 | 18.75 | 22 | 42.75 | 18 | 9.5 | 1.12 | 1.88 | 2 | 1 | 4 | 4 | 29.5 | 9.5 | 11 | 21.5 | 2.25 | RTF | 4.88 | 24 |

| | | | | | |
|----------------|--------|------------------|-------------|----------------|------------------------|
| Suction size | 12 in. | Suction flange | 125 lb ANSI | Base Furnished | Yes |
| Discharge size | 10 in. | Discharge flange | 125 lb ANSI | Rotation | Clockwise (Right Hand) |

| | | | | | | |
|-----|----|-------|-------|----|----|--------|
| W1 | X | YY | YX | Z | ZZ | Keyway |
| RTF | 15 | 18.75 | 33.75 | 11 | 20 | - |

| | | | | | | | | | |
|-------------|-------------|--------------|------------|-------------------|----------|-----------------|-------|-----------------|----------|
| Flow | 3,150 USgpm | Fluid | Cold Water | Impeller Diameter | 12.72 in | Enclosure | N/A | Service Factor | N/A |
| TDH | 24.00 ft | Temp | 68 F | Pump Speed | 865 RPM | Power | 0 Hp | Electrical Spec | 3/460/60 |
| Pump Weight | 1380 lbs | Motor Weight | 0 lbs | Base Weight | 330 lbs | Coupling Weight | 0 lbs | Total Weight | 1717 lbs |

| | | | |
|--|-------------------------|---|--|
| SEND TO | | | |
| Company name AE2S | | From Kevin Vranicar | |
| Attention Mr. Ryan Hanson | | Date 8/22/2023 | |
| E-mail Ryan.Hanson@ae2s.com | Phone (612) 220-0154 | Proposal # 002 - RFP # 003 Acoustical Ceiling Grid Color Modifications | |

Urgent
 Please comment
 Please review
 For your information

Total pages, including cover: 3

COMMENTS

Re: Ramsey Water Treatment Plant - Ramsey, MN

Ryan,

Magney Construction, Inc. is pleased to present the following quotation to furnish the necessary labor, material and/or equipment to modify the specified color (white) of the acoustical ceiling suspension grid system to either Silver Satin or Chrome, per your 5/22/23 email request. A pricing option has been provided below for each of the two color options. The costs associated with this change are summarized below.

Option 1 - Silver Satin

| | | |
|---|-----------|-----------------|
| Labor: | \$ | - |
| Material: | \$ | - |
| Equipment: | \$ | - |
| Subcontractor: Twin City Acoustics, Inc. (see attached) - SILVER SATIN | \$ | 975.00 |
| Subtotal | \$ | 975.00 |
| General Contractor's Overhead | \$ | 48.75 |
| Bond & Insurance premiums | \$ | 14.63 |
| Lump Sum Total: | \$ | 1,038.38 |

Option 2 - Chrome Grid

| | | |
|--|-----------|-----------------|
| Labor: | \$ | - |
| Material: | \$ | - |
| Equipment: | \$ | - |
| Subcontractor: Twin City Acoustics, Inc. (see attached) - CHROME GRID | \$ | 2,450.00 |
| Subtotal | \$ | 2,450.00 |
| General Contractor's Overhead | \$ | 122.50 |
| Bond & Insurance premiums | \$ | 36.75 |
| Lump Sum Total: | \$ | 2,609.25 |

| | |
|---|------------|
| Additional Working Days Required for this Change (Including material lead time): | 0.0 |
|---|------------|

Please review this proposal and feel free to contact me with any questions, comments or concerns.

Thank you,



Kevin Vranicar
Vice President

| | |
|--------------------|-------------|
| | |
| <i>Accepted By</i> | <i>Date</i> |



Commercial and Residential
An Equal Opportunity Employer

TWIN CITY ACOUSTICS, INC.
9449 SCIENCE CENTER DRIVE
NEW HOPE, MN 55428
P)763.535.6697 ♦ F)763.535.5309
gregs@tcacoustics.com

TO: Magney Construction
1401 Park Road
Chanhausen, MN 55317

Attention: Noah
Fax: (952) 474-1679

DATE: May 23, 2023
PROJECT: Ramsey Water Treatment Plant
LOCATION: Ramsey, MN
ADDENDUM:

=====

We propose to furnish and install the following materials for the above referenced project in accordance with the terms and conditions listed below and in accordance with the project plans and specifications unless noted. Labor, materials and equipment necessary for the installation is included unless specifically stated to the contrary.

COST CHANGE TO GO FROM WHITE GRID FOR WIREWORKS PRODUCT ONLY

OPTION FOR SILVER SATIN : ADD \$975.00

OPTION FOR CHROME GRID : ADD \$2,450.00

**NOTE: Dumpsters, sweeping & final cleaning to be furnished by General Contractor at no cost to Twin City Acoustics, Inc.
No seismic bracing or compression struts figured.**

Material, labor and sales tax included in our quote.

This proposal is valid for 30 days from date of issue. **TERMS:** Net cash for 90% of value of materials delivered on the job and labor for installing materials for the job during the previous 30 day period; shall be due the 10th of the following month, balance net cash after 30 days after completion. All taxes now or hereafter levied by any Federal, State or local authority, upon sale of foregoing materials are not included in the price and shall be paid by the purchaser unless specifically stated otherwise in this proposal.

Accepted by: _____

TWIN CITY ACOUSTICS, INC.

Company: _____

By: _____

Date: _____ Order No. _____

Derek Brinker
derek@tcacoustics.com

| | | | |
|--|-------------------------|---|--|
| SEND TO | | | |
| Company name AE2S | | From Kevin Vranicar | |
| Attention Mr. Ryan Hanson | | Date 8/30/2023 | |
| E-mail Ryan.Hanson@ae2s.com | Phone (612) 220-0154 | Proposal # 005 - RFP 006 DOLI Storm & Plumbing Revisions | |

Urgent
 Please comment
 Please review
 For your information

Total pages, including cover: 6

COMMENTS

Re: Ramsey Water Treatment Plant - Ramsey, MN

Ryan,

Magney Construction, Inc. is pleased to present the following quotation to furnish the necessary labor, material, and equipment to modify portions of the originally specified plumbing and civil plan sheets, due to the updates required by the Department of Labor and Industry. This quotation is based upon AE2S' Request for Proposal No. 006, dated 6/29/2023 and also includes the additional calendar days lost, due to the delay in the permitting process. Please note that the full impact, both financial and scheduling, associated with this delay are still being calculated and will be submitted in a future change order request. The costs associated with this change are summarized below.

| | | |
|--|----|------------------|
| Labor: | \$ | - |
| Material: | \$ | - |
| Equipment: | \$ | - |
| Subcontractor: Northern Plumbing Tech (see attached) | \$ | 5,034.18 |
| Subcontractor: Miller Excavating (see attached) | \$ | 12,286.90 |
| Subcontractor: Erickson Electric Company, Inc. (see attached) | \$ | 3,852.89 |
| Subtotal | \$ | 21,173.97 |
| General Contractor's Overhead | \$ | 1,058.70 |
| Bond & Insurance premiums | \$ | 317.61 |
| Lump Sum Total: | \$ | 22,550.28 |

| | |
|--|-------------|
| Additional Calendar Days Required for this Change (Including material lead time): | 88.0 |
|--|-------------|

Please review this proposal and feel free to contact me with any questions, comments or concerns.

Thank you,



Kevin Vranicar
Vice President

| |
|------------------------------|
| |
| Accepted By _____ Date _____ |

Kevin Vranicar

From: Steve St. Claire <steve.st.claire@millerexc.com>
Sent: Monday, August 28, 2023 9:30 AM
To: Noah Pundsack
Subject: RE: Ramsey MN WTP RFP 006

5. Revisions to watermain alignment. Refer to Attached Sheets C400, C401, and C402.
6. Revisions to storm invert elevations and storm pond size. Refer to Attached Sheets C400, C401, and C402.

| | |
|--|--------------------|
| Change Order Labor & Equipment Cost Increase | \$10,500.00 |
| Change Order Materials Increase (18" RCP & Weir) | <u>\$ 1,786.90</u> |
| TOTAL INCREASE | \$12,286.90 |

Steve St. Claire
President | **Miller Excavating, Inc.**
3741 Stagecoach Trail North | Stillwater, MN 55082
651.439.1637 Office | 651.351.7210 Fax
office@millerexc.com | Email





Erickson Electric Company, Inc.

3308 Southway Drive • Saint Cloud MN 56301-9513

Phone 320.251.1501 • Fax 320.251.1504

PROPOSAL

August 15, 2023

Noah Pundsack
Magney Construction

RE: RFP 006

The total cost of the electrical for this RFP 006 is: **\$3,852.89**

Included:

- Conduit, wire, and labor for the added Sump Pump
- Provide and install the new breaker to feed the Sump Pump.
- All work to be done Monday thru Friday 7AM to 3:30PM
- Electrical permit included
- Proposal valid for 30 days

Please feel free to contact me if you have any questions. Thank you for your consideration of this proposal. My cell phone: 320-774-5613

Sincerely,

Kyle Klemek
kylek@ericksonelectricmn.com

Erickson Electric

| <u>Material</u> | <u>Cost</u> |
|-----------------|-------------|
| Material | \$ 1,171.43 |
| Tax 7.625% | \$ 89.32 |
| Material MU 10% | \$ 117.14 |
| Permit | \$ - |

| <u>Labor</u> | <u>Rate/hr</u> | <u>Hours</u> | |
|----------------------|----------------|--------------|-------------|
| PM/Estimator | \$170 | 1 | \$ 170.00 |
| Wireman | \$160 | 13 | \$ 2,080.00 |
| Overtime 1-1/2 | \$240 | 0 | \$ - |
| Overtime double time | \$320 | 0 | \$ - |
| Labor MU 10% | | | \$ 225.00 |

Subcontractor

| | | |
|--|-------|---------------------------|
| | Mat. | \$ - |
| | labor | \$ - |
| Markup @ 5% | | \$ - |
| Subtotal | | \$ 3,852.89 |
| Bond | | \$ - |
| <u>Total cost for this change</u> | | <u>\$ 3,852.89</u> |

| | A | B | C | D | E | F | G | H | I | J |
|----|---------------------------|----------------------------|----------|-----------------|---|-------------------|-------|---|--------------|-------|
| 1 | Item # | Item Name | Quantity | Price | U | Ext Price | Labor | U | Labor Ext | CCode |
| 2 | RFP 006 Backup | | | | | \$1,171.43 | | | 12.94 | |
| 3 | CCode: Branch Rough | | | | | <u>\$303.08</u> | | | <u>6.88</u> | |
| 4 | 2,226 | 3/4 IMC | 61.66 | \$446.54 | C | \$275.34 | 8.20 | C | 5.06 | cb |
| 5 | 4,512 | 3/4 LOCKNUT | 8.00 | \$90.47 | C | \$7.24 | 0.17 | E | 1.36 | cb |
| 6 | 4,582 | 3/4 BUSH PLASTIC | 4.00 | \$106.53 | C | \$4.26 | 0.00 | E | 0.00 | cb |
| 7 | 5,192 | 3/4 GRC 1H MAL STP | 7.71 | \$210.69 | C | \$16.24 | 6.00 | C | 0.46 | cb |
| 8 | CCode: Hangers/Anchors | | | | | <u>\$17.12</u> | | | <u>2.27</u> | |
| 9 | 5,460 | 1/4-20 X 3/4 RH MACH SCREW | 7.71 | \$7.25 | C | \$0.56 | 4.30 | C | 0.33 | ch |
| 10 | 5,824 | 1/4 FLAT STEEL WASHER | 7.71 | \$192.50 | C | \$14.84 | 1.09 | C | 0.08 | ch |
| 11 | 5,894 | 1/4 MACHINE BOLT ANCH | 7.71 | \$22.37 | C | \$1.72 | 24.00 | C | 1.85 | ch |
| 12 | CCode: Panels/Loadcenters | | | | | <u>\$745.00</u> | | | <u>1.07</u> | |
| 13 | 19,465 | 3P 20A BOLT-IN 277/480V CB | 1.00 | \$745.00 | E | \$745.00 | 1.07 | E | 1.07 | sp |
| 14 | CCode: Branch Wire | | | | | <u>\$106.23</u> | | | <u>2.72</u> | |
| 15 | 11 | 12 THHN CU STRANDED | 302.64 | \$351.01 | M | \$106.23 | 9.00 | M | 2.72 | wb |
| 16 | | | | | | \$1,171.43 | | | 12.94 | |