

# RIVERSTONE SOUTH FIFTH ADDITION

CITY OF RAMSEY  
COUNTY OF ANOKA  
SECS. 29 & 30, TWP. 32, RGE. 25

KNOW ALL PERSONS BY THESE PRESENTS: That Riverstone Development L.L.C., a Minnesota limited liability company, owner of the following described property:

Outlot A, RIVERSTONE SOUTH SECOND ADDITION, Anoka County, Minnesota

AND

Outlot C, RIVERSTONE SOUTH FOURTH ADDITION, Anoka County, Minnesota

Has caused the same to be surveyed and platted as RIVERSTONE SOUTH FIFTH ADDITION and does hereby dedicate to the public for public use the public ways and the drainage and utility easements as shown on this plat.

In witness whereof said Riverstone Development L.L.C., a Minnesota limited liability company, has caused these presents to be signed by its proper officer this \_\_\_\_ day of \_\_\_\_\_, 20 \_\_\_\_.

RIVERSTONE DEVELOPMENT L.L.C.

\_\_\_\_\_  
Stephen A. Bona, Vice President of Land

STATE OF \_\_\_\_\_  
COUNTY OF \_\_\_\_\_

This instrument was acknowledged before me on \_\_\_\_\_ by Stephen A. Bona, Vice President of Land of Riverstone Development L.L.C., a Minnesota limited liability company.

\_\_\_\_\_  
(Signed)

\_\_\_\_\_  
(Printed)

Notary Public, \_\_\_\_\_

My commission expires \_\_\_\_\_

I Thomas R. Balluff do hereby certify that this plat was prepared by me or under my direct supervision; that I am a duly Licensed Land Surveyor in the State of Minnesota; that this plat is a correct representation of the boundary survey; that all mathematical data and labels are correctly designated on this plat; that all monuments depicted on this plat have been, or will be correctly set within one year; that all water boundaries and wet lands, as defined in Minnesota Statutes, Section 505.01, Subd. 3, as of the date of this certificate are shown and labeled on this plat; and all public ways are shown and labeled on this plat.

Dated this \_\_\_\_ day of \_\_\_\_\_, 20 \_\_\_\_.

\_\_\_\_\_  
Thomas R. Balluff, Licensed Land Surveyor  
Minnesota License No. 40361

STATE OF \_\_\_\_\_  
COUNTY OF \_\_\_\_\_

This instrument was acknowledged before me on \_\_\_\_\_ by Thomas R. Balluff.

\_\_\_\_\_  
(Signed)

\_\_\_\_\_  
(Printed)

Notary Public, \_\_\_\_\_

My commission expires \_\_\_\_\_

CITY COUNCIL, CITY OF RAMSEY, MINNESOTA

This plat of RIVERSTONE SOUTH FIFTH ADDITION was approved and accepted by the City Council of the City of Ramsey, Minnesota at a regular meeting thereof held this \_\_\_\_ day of \_\_\_\_\_, 20\_\_\_\_, and said plat is in compliance with the provisions of Minnesota Statutes, Section 505.03, Subd. 2.

CITY COUNCIL, CITY OF RAMSEY, MINNESOTA

By: \_\_\_\_\_, Mayor

By: \_\_\_\_\_, Clerk

COUNTY SURVEYOR

I hereby certify that in accordance with Minnesota Statutes, Section 505.021, Subd. 11, this plat has been reviewed and approved this \_\_\_\_ day of \_\_\_\_\_, 20\_\_\_\_.

\_\_\_\_\_  
David M. Ziegmeier  
Anoka County Surveyor

COUNTY AUDITOR/TREASURER

Pursuant to Minnesota Statutes, Section 505.021, Subd. 9, taxes payable in the year 20\_\_\_\_ on the land hereinbefore described have been paid. Also, pursuant to Minnesota Statutes, Section 272.12, there are no delinquent taxes and transfer entered this \_\_\_\_ day of \_\_\_\_\_, 20\_\_\_\_.

\_\_\_\_\_  
Property Tax Administrator

By: \_\_\_\_\_, Deputy

COUNTY RECORDER/REGISTRAR OF TITLES

County of Anoka, State of Minnesota

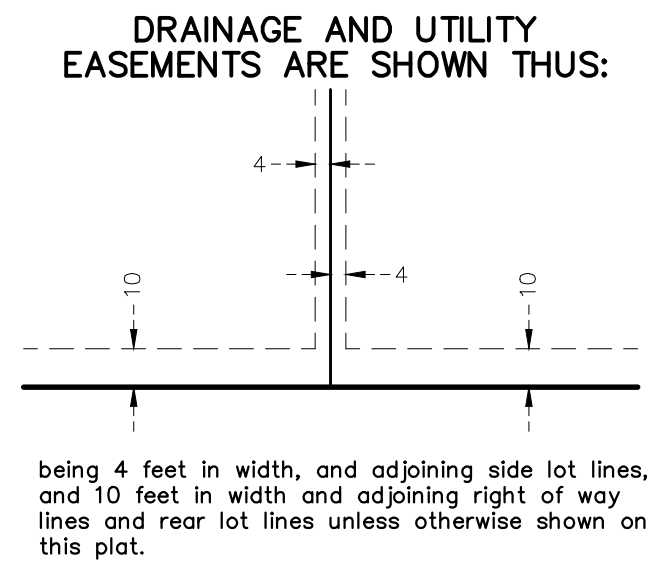
I hereby certify that this plat of RIVERSTONE SOUTH FIFTH ADDITION was filed in the office of the County Recorder/Registrar of Titles for public record on this \_\_\_\_ day of \_\_\_\_\_, 20\_\_\_\_, at \_\_\_\_ o'clock \_\_\_\_M. and was duly recorded as Document Number \_\_\_\_\_.

\_\_\_\_\_  
County Recorder/Registrar of Title

By: \_\_\_\_\_, Deputy

# RIVERSTONE SOUTH FIFTH ADDITION

CITY OF RAMSEY  
 COUNTY OF ANOKA  
 SECS. 29 & 30, TWP. 32, RGE. 25



For the purposes of this plat, the West line of Outlot C, RIVERSTONE SOUTH FOURTH ADDITION is assumed to have a bearing of North 23 degrees 58 minute 23 seconds East.

- Denotes 5/8 inch by 14 inch Rebar, set or to be set within one year of recording of this plat and marked with license number 40361
- Denotes Found Iron Monument marked with license number 40361

