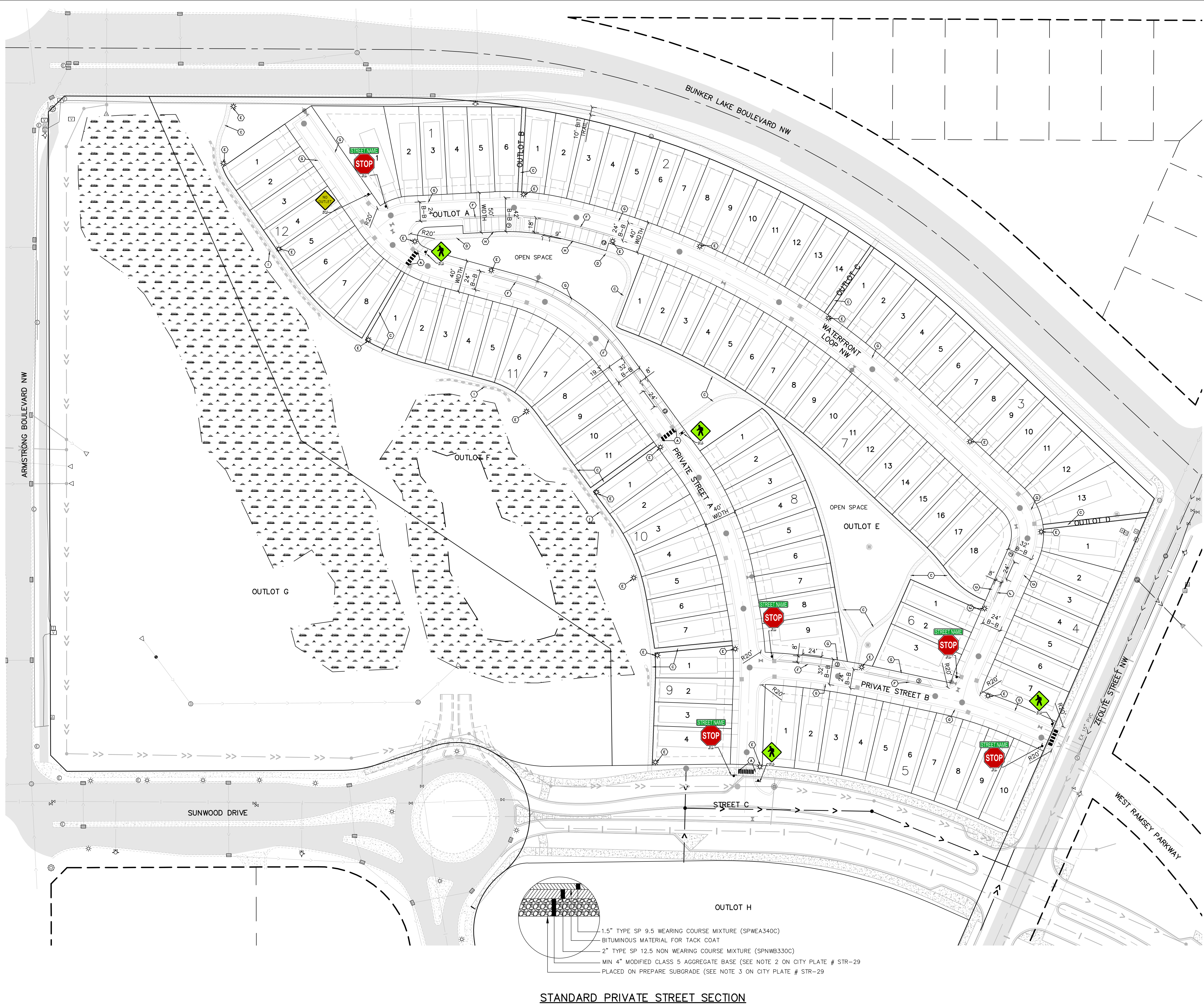


F:\Civil_3D\Projects\24108\PRE-PLAT PLANS\24108-SITE.dwg - 12/15/2023 12:39PM

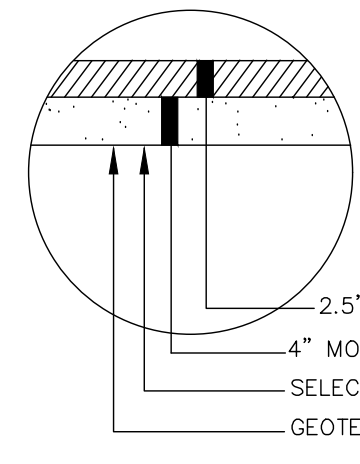


LEGEND

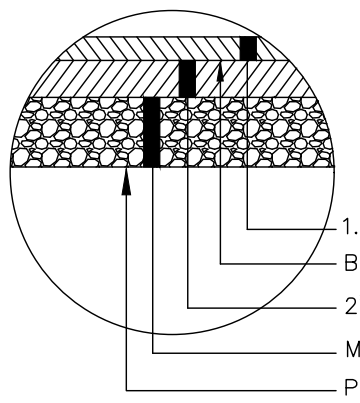
- PROPOSED CURB & GUTTER
- PROPOSED CONCRETE
- PROPOSED BITUMINOUS TRAIL
- PROPOSED WATERMAIN STRUCTURE
- PROPOSED SANITARY SEWER STRUCTURE
- PROPOSED STORM SEWER STRUCTURE
- PROPOSED STREETLIGHT

KEY NOTES

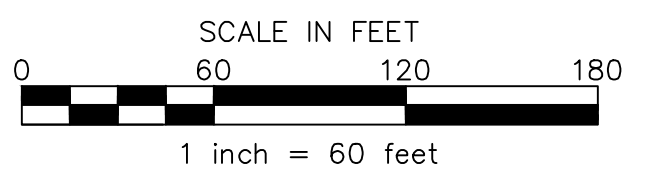
- PEDESTRIAN CURB RAMP
- 5' BITUMINOUS TRAIL
- 6' BITUMINOUS TRAIL
- STREETLIGHT
- 2 FT WIDE VALLEY GUTTER
- SURMOUNTABLE CURB
- B612 CURB
- POSSIBLE RETAINING WALL



STANDARD BITUMINOUS TRAIL SECTION



STANDARD PRIVATE STREET SECTION



James R. Hill, Inc.
 PLANNERS / ENGINEERS / SURVEYORS
 2999 W. Cty. Rd. 42, Suite 100, Burnsville, MN 55306
 PHONE: (952)890-6044 FAX: (952)890-6244

I hereby certify that this plan, specification or report was prepared by me or under my direct supervision and that I am a duly Licensed Professional Engineer under the laws of the State of Minnesota.
 J. GILL G. COOPER
 Date: 12/15/23 Reg. No. 18495

WATERFRONT VILLAGE
 RAMSEY, MINNESOTA
SITE PLAN
 FOR
CENTRA HOMES
 11460 ROBINSON DRIVE, COON RAPIDS, MN

DRAWN BY	VUN
DATE	12/15/23
REVISIONS	
CAD FILE	24108-SITE
PROJECT NO.	24108
	C1.2