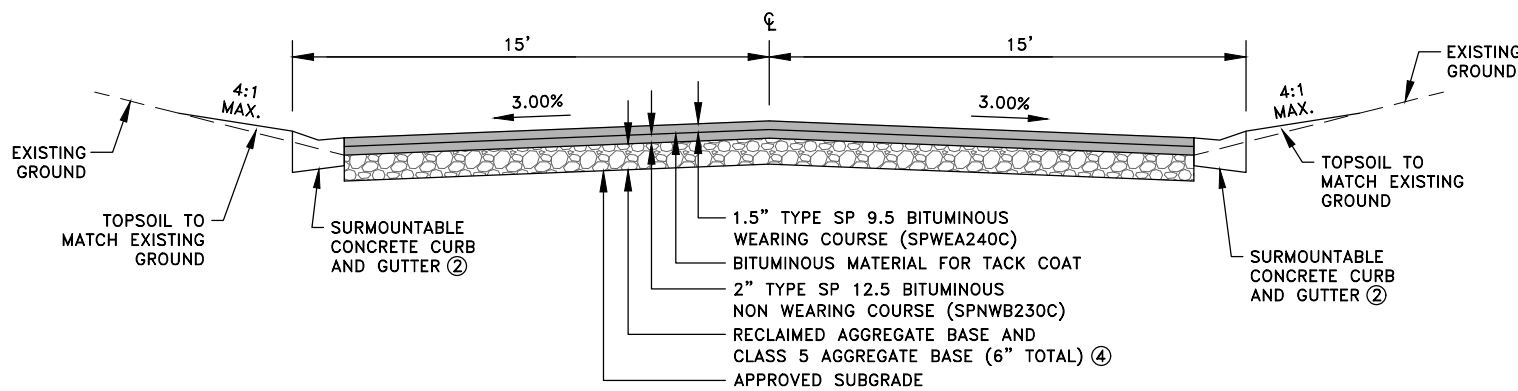
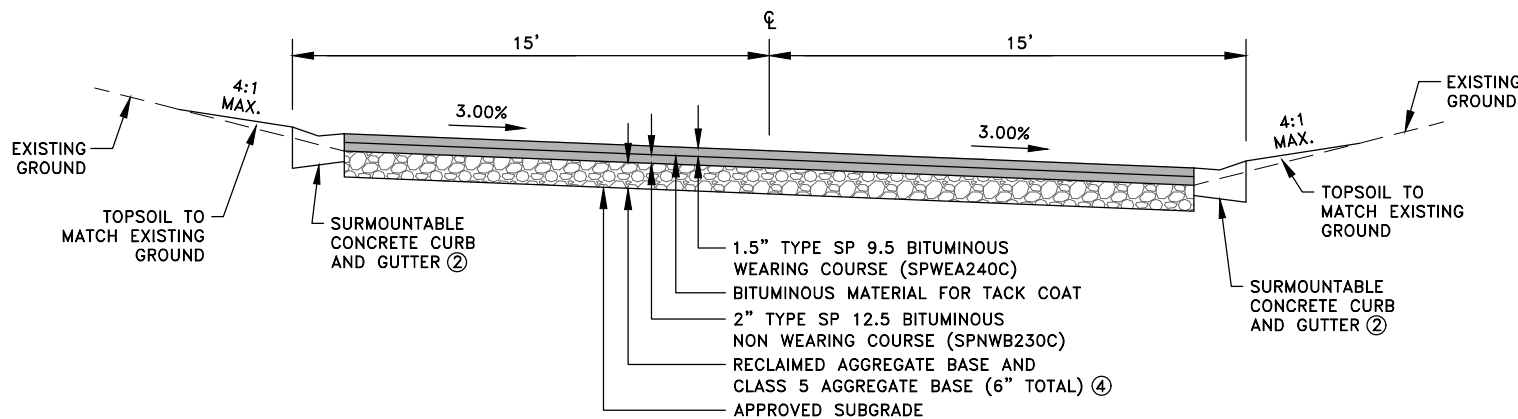


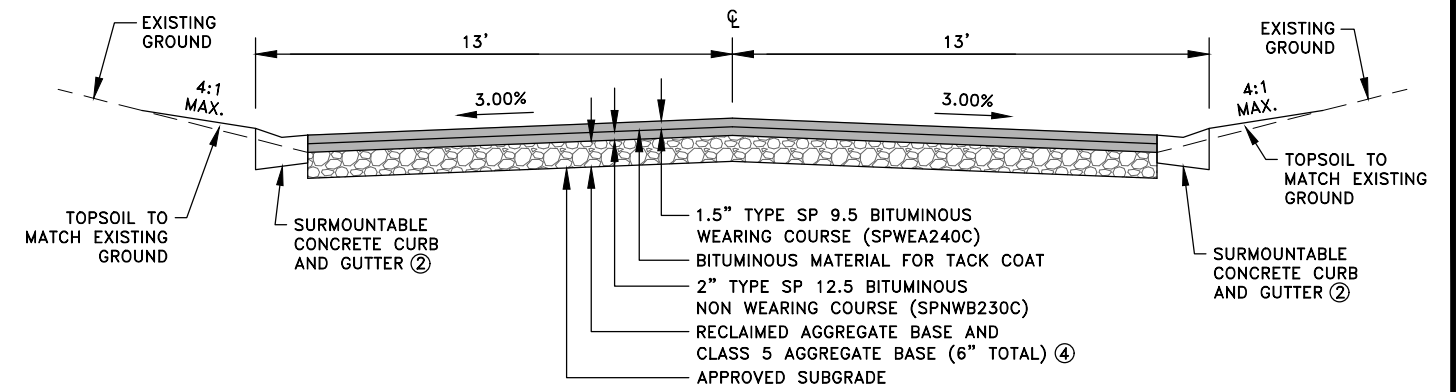
1
5
TYPICAL SECTION
VANADIUM STREET, URANIUM STREET, URANIUM STREET (NORTH),
177TH LANE, 178TH LANE, 179TH LANE AND 180TH LANE



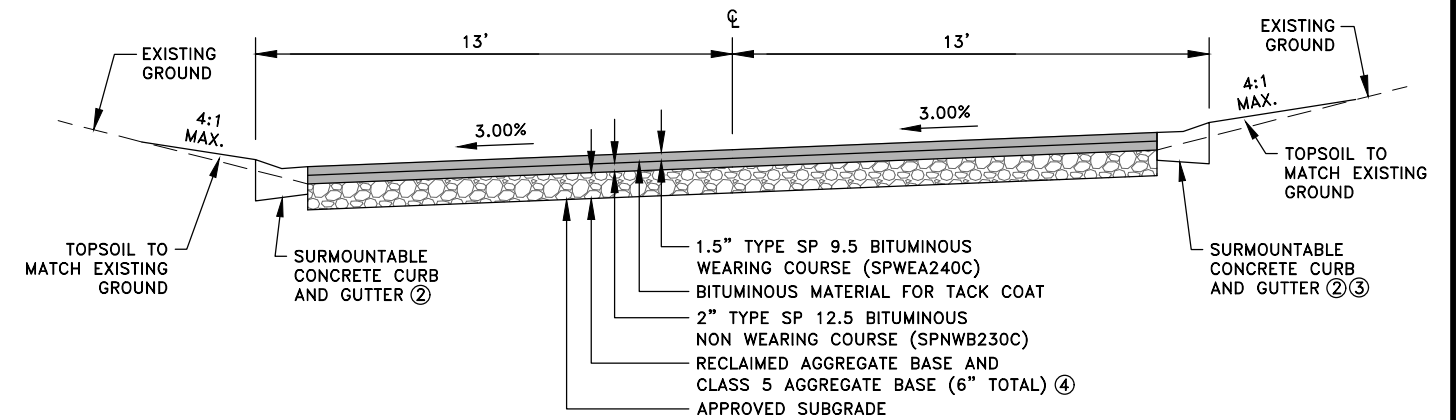
2
5
TYPICAL SECTION
BARIUM STREET (STA 1+93 TO STA 12+50), 180TH AVENUE (WEST)
AND 180TH AVENUE (EAST)



3
5
TYPICAL SECTION
BARIUM STREET (STA 12+50 TO STA 13+50)



4
5
TYPICAL SECTION
WACO STREET, 182ND LANE, VENTRE STREET
AND WACO DRIVE (STA 1+84 TO STA 12+00)



5
5
TYPICAL SECTION
WACO DRIVE (STA 12+00 TO STA 14+00)

- REFERENCE NOTES:
- ① SEE CONSTRUCTION PLANS FOR THE DRAINTILE LOCATIONS.
 - ② SURMOUNTABLE CURB SHALL BE PER CITY PLATE NO. STR-1.
 - ③ TIPOUT CURB AT 2.00%
 - ④ CLASS 5 AGGREGATE BASE SHALL MEET THE REQUIREMENTS OF CITY PLATE NO. STR-26.

Mar 13, 2024 - 7:26am K:\MUNICIPAL\RA3189\ENGINEERING\PLAN DWG\RA3189_DETAILS.dwg

DATE	REVISION

I hereby certify that this plan, specification, or report was prepared by me or under my direct supervision and that I am a duly Licensed Professional Engineer under the laws of the State of Minnesota.

Shane M. Nelson
SHANE M. NELSON, P.E.
Date 3/12/24 Lic. No. 43381

DESIGNED BY: TAE
DRAWN BY: TAE
CHECKED BY: SMN



Hakanson Anderson
Civil Engineers and Land Surveyors
3601 Thurston Ave., Anoka, Minnesota 55303
763-427-5860 FAX 763-427-0520
www.hakanson-anderson.com

**NORTHEAST RAMSEY STREET
RECONSTRUCTION PROJECT**

TYPICAL SECTIONS
CITIES OF RAMSEY AND NOWTHEN, MINNESOTA

SHEET 5 OF 63 SHEETS
RA3189