

KWIK TRIP 1782

CITY OF RAMSEY
 COUNTY OF ANOKA
 SEC. 29, TWP. 32, RGE. 25

KNOW ALL PERSONS BY THESE PRESENTS: That PSD, LLC, a Minnesota limited liability company, owner of the following described property:

Lot 2, Block 1, HY-10 RAMSEY 2ND ADDITION, except the North 70 feet thereof and also except Parcel 3, ANOKA COUNTY HIGHWAY RIGHT-OF-WAY PLAT NO. 74, Anoka County, Minnesota

Has caused the same to be surveyed and platted as KWIK TRIP 1782 and does hereby dedicate to the public for public use the public ways and the drainage and utility easements as shown on this plat.

In witness whereof said PSD, LLC, a Minnesota limited liability company, has caused these presents to be signed by its proper partner this ____ day of _____, 20__.

PSD, LLC

 Mathias Kuker, Chief Operating Officer

STATE OF _____
 COUNTY OF _____

This instrument was acknowledged before me on this ____ day of _____, 20__ by Mathias Kuker, Chief Operating Officer of PSD, LLC, a Minnesota limited liability company, on behalf of said company.

 (Signed)

 (Printed)
 Notary Public, _____
 My commission expires _____

I, Thomas R. Balluff do hereby certify that this plat was prepared by me or under my direct supervision; that I am a duly Licensed Land Surveyor in the State of Minnesota; that this plat is a correct representation of the boundary survey; that all mathematical data and labels are correctly designated on this plat; that all monuments depicted on this plat have been, or will be correctly set within one year; that all water boundaries and wet lands, as defined in Minnesota Statutes, Section 505.01, Subd. 3, as of the date of this certificate are shown and labeled on this plat; and all public ways are shown and labeled on this plat.

Dated this ____ day of _____, 20__.

Thomas R. Balluff, Licensed Land Surveyor
 Minnesota License No. 40361

STATE OF _____
 COUNTY OF _____

This instrument was acknowledged before me on this ____ day of _____, 20__ by Thomas R. Balluff, Licensed Land Surveyor.

 (Signed)

 (Printed)
 Notary Public, _____
 My commission expires _____

CITY COUNCIL, CITY OF RAMSEY, MINNESOTA

This plat of KWIK TRIP 1782 was approved and accepted by the City Council of the City of Ramsey, Minnesota at a regular meeting thereof held this ____ day of _____, 20__, and said plat is in compliance with the provisions of Minnesota Statutes, Section 505.03, Subd. 2.

CITY COUNCIL, CITY OF RAMSEY, MINNESOTA

By: _____, Mayor
 By: _____, Clerk

COUNTY SURVEYOR

I hereby certify that in accordance with Minnesota Statutes, Section 505.021, Subd. 11, this plat has been reviewed and approved this ____ day of _____, 20__.

David M. Ziegler
 Anoka County Surveyor

COUNTY AUDITOR/TREASURER

Pursuant to Minnesota Statutes, Section 505.021, Subd. 9, taxes payable in the year 20__ on the land hereinbefore described have been paid. Also, pursuant to Minnesota Statutes, Section 272.12, there are no delinquent taxes and transfer entered this ____ day of _____, 20__.

Property Tax Administrator

By: _____, Deputy

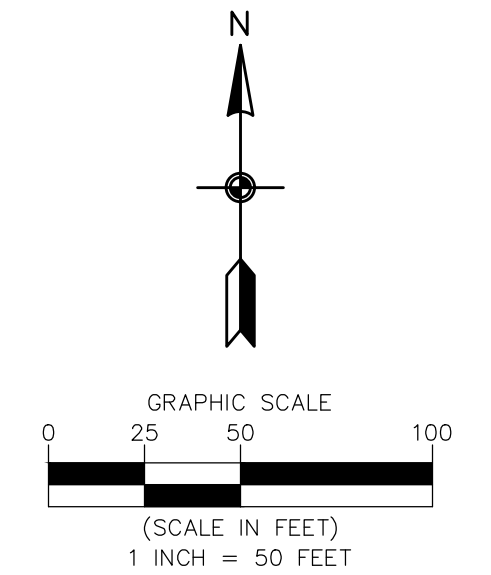
COUNTY RECORDER/REGISTRAR OF TITLES

County of Anoka, State of Minnesota

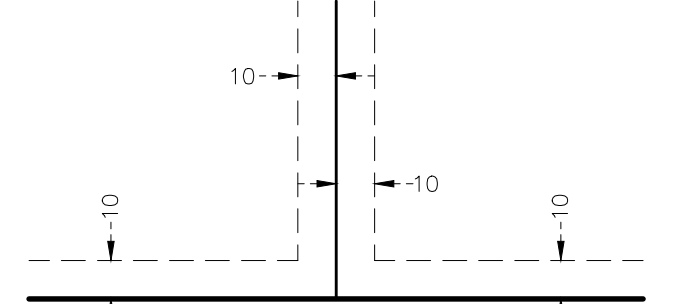
I hereby certify that this plat of KWIK TRIP 1782 was filed in the office of the County Recorder/Registrar of Titles for public record on this ____ day of _____, 20__, at ____ o'clock ____M. and was duly recorded as Document Number _____.

County Recorder/Registrar of Title

By: _____, Deputy



DRAINAGE AND UTILITY EASEMENTS ARE SHOWN THUS:



being 10 feet in width, and adjoining side lot lines, and 10 feet in width and adjoining right of way lines and rear lot lines unless otherwise shown on this plat.

For the purposes of this plat, the South line of Lot 2, Block 1, HY-10 RAMSEY 2ND ADDITION is assumed to have a bearing of North 89 degrees 27 minutes 46 seconds West

○ Denotes 5/8 inch by 14 inch rebar, set or to be set within one year of recording of this plat and marked with license number 40361

● Denotes Found Iron Monument, as noted

