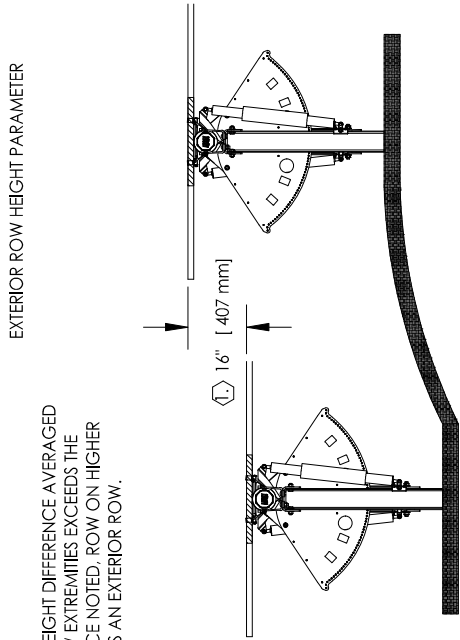


NOTE:

- IF THE HEIGHT DIFFERENCE AVERAGED AT ROW EXTREMITIES EXCEEDS THE DISTANCE NOTED, ROW ON HIGHER PLANE IS AN EXTERIOR ROW.



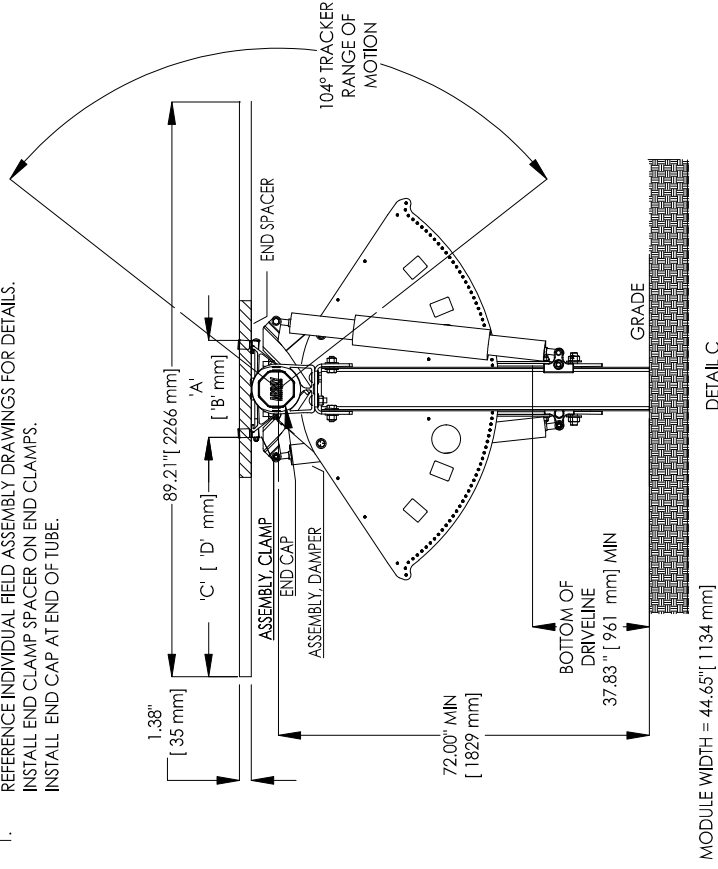
DETAIL A



NOTE:

MINIMUM DISTANCES AND MODULE DATA

- REFERENCE INDIVIDUAL FIELD ASSEMBLY DRAWINGS FOR DETAILS. INSTALL END CLAMP SPACER ON END CLAMPS. INSTALL END CAP AT END OF TUBE.

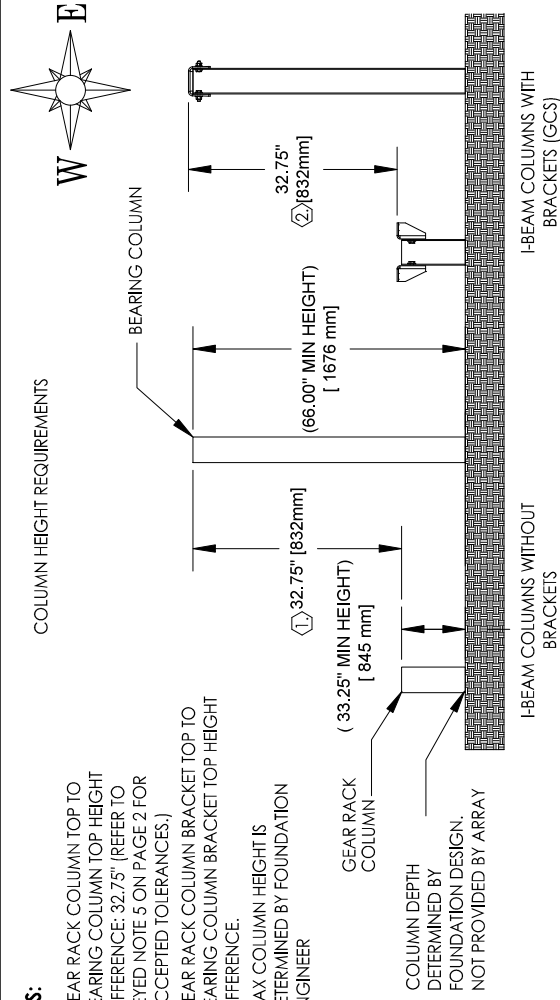


DETAIL C

CLAMP TYPE	DIM 'A' [IN]	DIM 'B' [mm]	DIM 'C' [IN]	DIM 'D' [mm]
400mm THRU BOLT	17.02	432.3	36.33	922.8
1400mm THRU BOLT	56.97	1447.0	16.36	415.5

NOTE:

- GEAR RACK COLUMN TOP TO BEARING COLUMN TOP HEIGHT DIFFERENCE: 32.75" (REFER TO KEYED NOTE 5 ON PAGE 2 FOR ACCEPTED TOLERANCES.)
- GEAR RACK COLUMN BRACKET TOP TO BEARING COLUMN BRACKET TOP HEIGHT DIFFERENCE.
- MAX COLUMN HEIGHT IS DETERMINED BY FOUNDATION ENGINEER



DETAIL B

REV	INITIAL RELEASE	DESCRIPTION	DATE
A			02/10/2025

DRAWINGS STATUS	PRODUCT STATUS	NAME	DATE
Final	Final	TH	02/10/2025

SCALE	DWG NO.	U.S. PATENTING.	REVISION
B	16005	#5,459,249; # 9,281,778	A

SITE	PRODUCT NUMBER	REVISION

TITLE	DATE
OmniTrack® HZ Project: Detail Views	02/10/2025

ARRAY TECHNOLOGIES	ARRAY TECHNOLOGIES
3901 Midway Place NE, Albuquerque, NM 87109	3901 Midway Place NE, Albuquerque, NM 87109
(505) 881-7567	(505) 881-7567

ARRAY TECHNOLOGIES	ARRAY TECHNOLOGIES
16005 Standard Solar Plus On First	16005 Standard Solar Plus On First
Approx. 1.55 MWDC Northfield, MN 55057	Approx. 1.55 MWDC Northfield, MN 55057
Standard Solar	Standard Solar

PROPERTY AND CONFIDENTIAL	PROPERTY AND CONFIDENTIAL
REINFORMATION CONTAINED IN THE DRAWING IS THE SOLE PROPERTY OF ARRAY TECHNOLOGIES. NO PART OF THIS DRAWING IS TO BE REPRODUCED OR TRANSMITTED IN ANY FORM OR BY ANY MEANS, WITHOUT THE WRITTEN PERMISSION FROM ARRAY TECHNOLOGIES. PROPRIETARY.	REINFORMATION CONTAINED IN THE DRAWING IS THE SOLE PROPERTY OF ARRAY TECHNOLOGIES. NO PART OF THIS DRAWING IS TO BE REPRODUCED OR TRANSMITTED IN ANY FORM OR BY ANY MEANS, WITHOUT THE WRITTEN PERMISSION FROM ARRAY TECHNOLOGIES. PROPRIETARY.

