

BID DOCUMENTS FOR EAST WASTEWATER TREATMENT PLANT (WWTP) PIPE RELOCATION

Prepared for:



**City of San Luis
1090 E. Union Street
San Luis, AZ 85349**

Prepared By:



**Pacific Advanced Civil Engineering, Inc. (PACE)
7434 E. McDonald Drive
Scottsdale, AZ 85250**

May 1016

BID FORM

**City of San Luis
San Luis, AZ
East WWTP Pipe Relocation**

Submitted By:

Contractor: _____

Date: _____

TABLE OF CONTENTS

	Page
ARTICLE 1 – PROJECT DESCRIPTION.....	4
ARTICLE 2 – BID DUE DATE & RECIPIENT	4
ARTICLE 3 – BIDDER’S ACKNOWLEDGEMENTS	4
ARTICLE 4 – BIDDER’S REPRESENTATIONS.....	5
ARTICLE 5 – BIDDER’S CERTIFICATION	6
ARTICLE 6 – BASIS OF BID	6
ARTICLE 7 – TIME OF COMPLETION.....	7
ARTICLE 8 – BID SUBMITTAL.....	7

ARTICLE 1 – PROJECT DESCRIPTION

- 1.01 The City needs to reroute a 12” DIP that currently goes through three of the basin walls (14” +/- thick) and will now go over the walls on a support. Once pipe is rerouted, walls will need to be sealed.
- 1.02 Coordination with the City Staff and the selected Contractor on the E WWTP Basin Repair project will be required.
- 1.03 Contractor must comply with City regulations regarding insurance requirements, business licenses, contractor licensing, etc.
- 1.04 Technical Requirements
- A. Plans are attached as a part of this Bid Form. The plans only show the pipe relocation for the north tanks but the same is being required for the south tanks. Note 2 on the drawing is not applicable. This will require additional work of relocating the air piping. Note 3 on the drawings will apply to both the north and south tanks and pipe relocations as related to the existing openings that the pipe is currently passing through. There are 3 openings that need to be filled in each tank.
 - B. Intent is to reuse as much of the existing pipe as possible.
 - C. New pipe and fittings are to be cement lined per AWWA C104 and required primer shall be able to accept epoxy coating.
 - D. Pipe to be repainted with epoxy; color to match (City to select).
 - E. Submittals are required for beam, pipe, grout and paint for approval.
 - F. Steel beam to be primed and coated with epoxy to match pipe.
 - G. All labor, materials, equipment and incidentals necessary to complete this scope of work should be included in the two items below,

ARTICLE 2 – BID DUE DATE & RECIPIENT

- 2.01 Bid shall be received until 4:00 PM (local time) Thursday, May 26, 2016.
- 2.02 This Bid is submitted to:
- | | |
|------------------|---|
| | City of San Luis |
| | Public Works Department |
| | 1090 E. Union Street, San Luis, AZ 85349 |
| Mailing Address: | P.O. Box 1170, San Luis, AZ 85349-1170 |
| Attention: | Mr. Manuel Rojas, Assistant Public Works Director |
| Envelope Marked: | EAST WWTP PIPE RELOCATION BID |
- 2.03 The undersigned Bidder proposes and agrees, if this Bid is accepted, to enter into an Agreement with Owner to perform all Work as specified or indicated in the Bidding Documents for the prices and within the times indicated in this Bid.

ARTICLE 3 – BIDDER’S ACKNOWLEDGEMENTS

- 3.01 This Bid will remain subject to acceptance for 60 days after the Bid opening, or for such longer period of time that Bidder may agree to in writing upon request of Owner.

ARTICLE 4 – BIDDER’S REPRESENTATIONS

4.01 In submitting this Bid, Bidder represents that:

- A. Bidder has examined and carefully studied the Bidding Documents, and any data and reference items identified in the Bidding Documents, and hereby acknowledges receipt of the following Addenda:

<u>Addendum No.</u>	<u>Addendum, Date</u>
_____	_____
_____	_____
_____	_____
_____	_____

- B. Bidder has visited the Site, conducted a thorough, alert visual examination of the Site and adjacent areas, and become familiar with and satisfied itself as to the general, local, and Site conditions that may affect cost, progress, and performance of the Work.
- C. Bidder is familiar with and has satisfied itself as to all Laws and Regulations that may affect cost, progress, and performance of the Work.
- D. Bidder has carefully studied, if available, all: (1) reports of explorations and tests of subsurface conditions at or adjacent to the Site and all drawings of physical conditions relating to existing surface or subsurface structures at the Site that have been identified in the Supplementary Conditions, especially with respect to Technical Data in such reports and drawings, and (2) reports and drawings relating to Hazardous Environmental Conditions, if any, at or adjacent to the Site that have been identified in the Supplementary Conditions, especially with respect to Technical Data in such reports and drawings.
- E. Bidder has considered the information known to Bidder itself; information commonly known to contractors doing business in the locality of the Site; information and observations obtained from visits to the Site; the Bidding Documents; and any Site-related reports and drawings identified in the Bidding Documents, with respect to the effect of such information, observations, and documents on (1) the cost, progress, and performance of the Work; (2) the means, methods, techniques, sequences, and procedures of construction to be employed by Bidder; and (3) Bidder’s safety precautions and programs.
- F. Bidder agrees, based on the information and observations referred to in the preceding paragraph, that no further examinations, investigations, explorations, tests, studies, or data are necessary for the determination of this Bid for performance of the Work at the price bid and within the times required, and in accordance with the other terms and conditions of the Bidding Documents.
- G. Bidder is aware of the general nature of work to be performed by Owner and others at the Site that relates to the Work as indicated in the Bidding Documents.
- H. Bidder has given Engineer written notice of all conflicts, errors, ambiguities, or discrepancies that Bidder has discovered in the Bidding Documents, and confirms that the written resolution thereof by Engineer is acceptable to Bidder.
- I. The Bidding Documents are generally sufficient to indicate and convey understanding of all terms and conditions for the performance and furnishing of the Work.

- J. The submission of this Bid constitutes an incontrovertible representation by Bidder that Bidder has complied with every requirement of this Article, and that without exception the Bid and all prices in the Bid are premised upon performing and furnishing the Work required by the Bidding Documents.

ARTICLE 5 – BIDDER’S CERTIFICATION

5.01 Bidder certifies that:

- A. This Bid is genuine and not made in the interest of or on behalf of any undisclosed individual or entity and is not submitted in conformity with any collusive agreement or rules of any group, association, organization, or corporation;
- B. Bidder has not directly or indirectly induced or solicited any other Bidder to submit a false or sham Bid;
- C. Bidder has not solicited or induced any individual or entity to refrain from bidding; and
- D. Bidder has not engaged in corrupt, fraudulent, collusive, or coercive practices in competing for the Contract. For the purposes of this Paragraph 4.01.D:
1. “corrupt practice” means the offering, giving, receiving, or soliciting of any thing of value likely to influence the action of a public official in the bidding process;
 2. “fraudulent practice” means an intentional misrepresentation of facts made (a) to influence the bidding process to the detriment of Owner, (b) to establish bid prices at artificial non-competitive levels, or (c) to deprive Owner of the benefits of free and open competition;
 3. “collusive practice” means a scheme or arrangement between two or more Bidders, with or without the knowledge of Owner, a purpose of which is to establish bid prices at artificial, non-competitive levels; and
 4. “coercive practice” means harming or threatening to harm, directly or indirectly, persons or their property to influence their participation in the bidding process or affect the execution of the Contract.

ARTICLE 6 – BASIS OF BID

6.01 Bidder will complete the Work in accordance with the Contract Documents for the following price(s):

BID SCHEDULE

Item	Description	Unit	Quantity	Bid Unit Price	Bid Price
1	North Tank	LS	1	\$	\$
2	South Tank	LS	1	\$	\$
3	Total Bid Price				\$

Bidder acknowledges that (1) each Bid Unit Price includes an amount considered by Bidder to be adequate to cover Contractor’s overhead and profit for each separately identified item, and (2) estimated quantities are not

guaranteed, and are solely for the purpose of comparison of Bids, and final payment for all unit price Bid items will be based on actual quantities, determined as provided in the Contract Documents.

Total of Lump Sum and Unit Price Bids = Total Bid Price \$ _____

ARTICLE 7 – TIME OF COMPLETION

7.01 Bidder agrees that the time of completion for this project will be 21 calendar days from the Notice to Proceed.

ARTICLE 8 – BID SUBMITTAL

BIDDER: *[Indicate correct name of bidding entity]*

By: _____
[Signature]

_____ *[Printed name]*

Attest: _____
[Signature]

_____ *[Printed name]*

Title: _____

Submittal Date: _____

Address for giving notices:

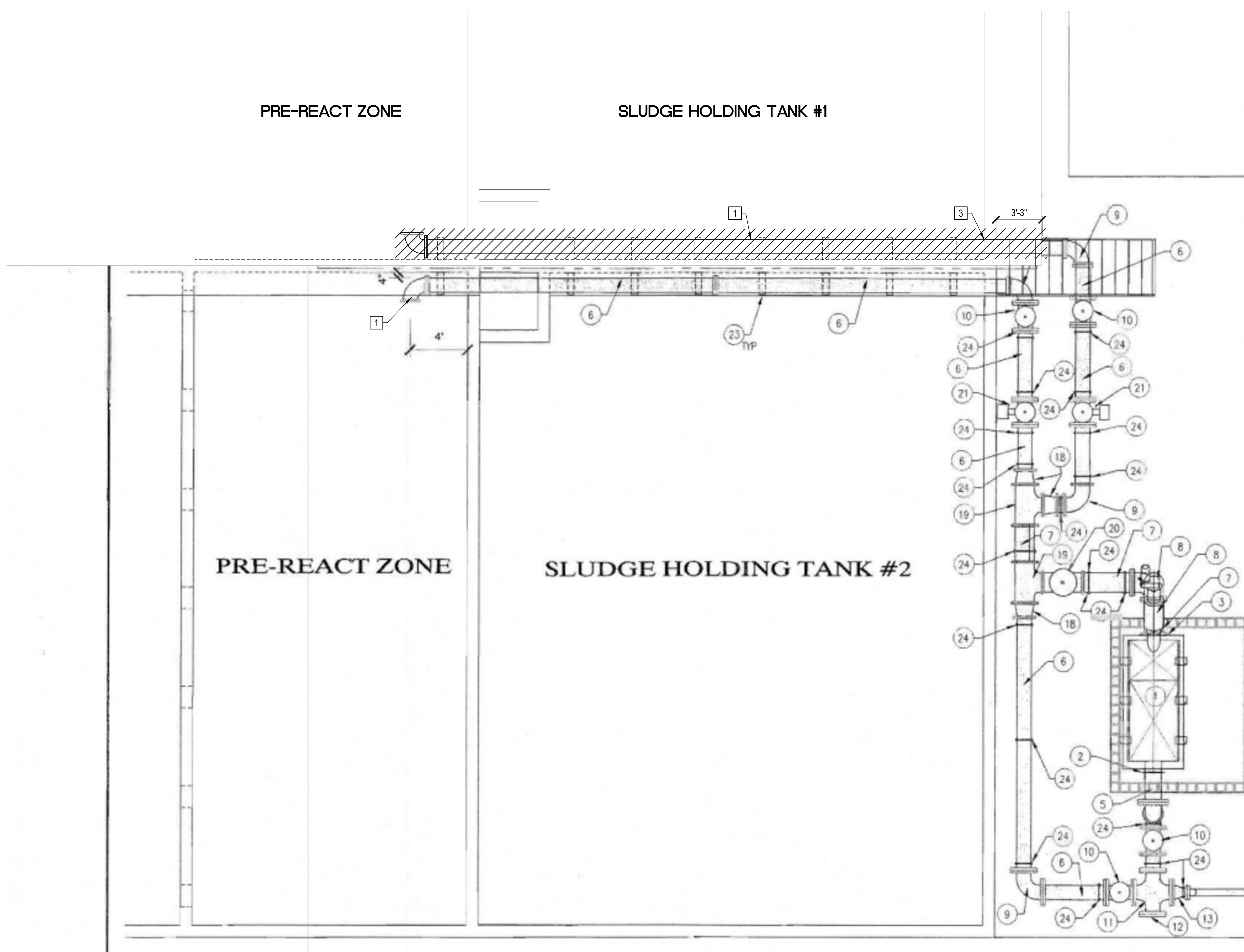
Telephone Number: _____

Fax Number: _____

Contact Name and e-mail address: _____

Bidder's License No.: _____

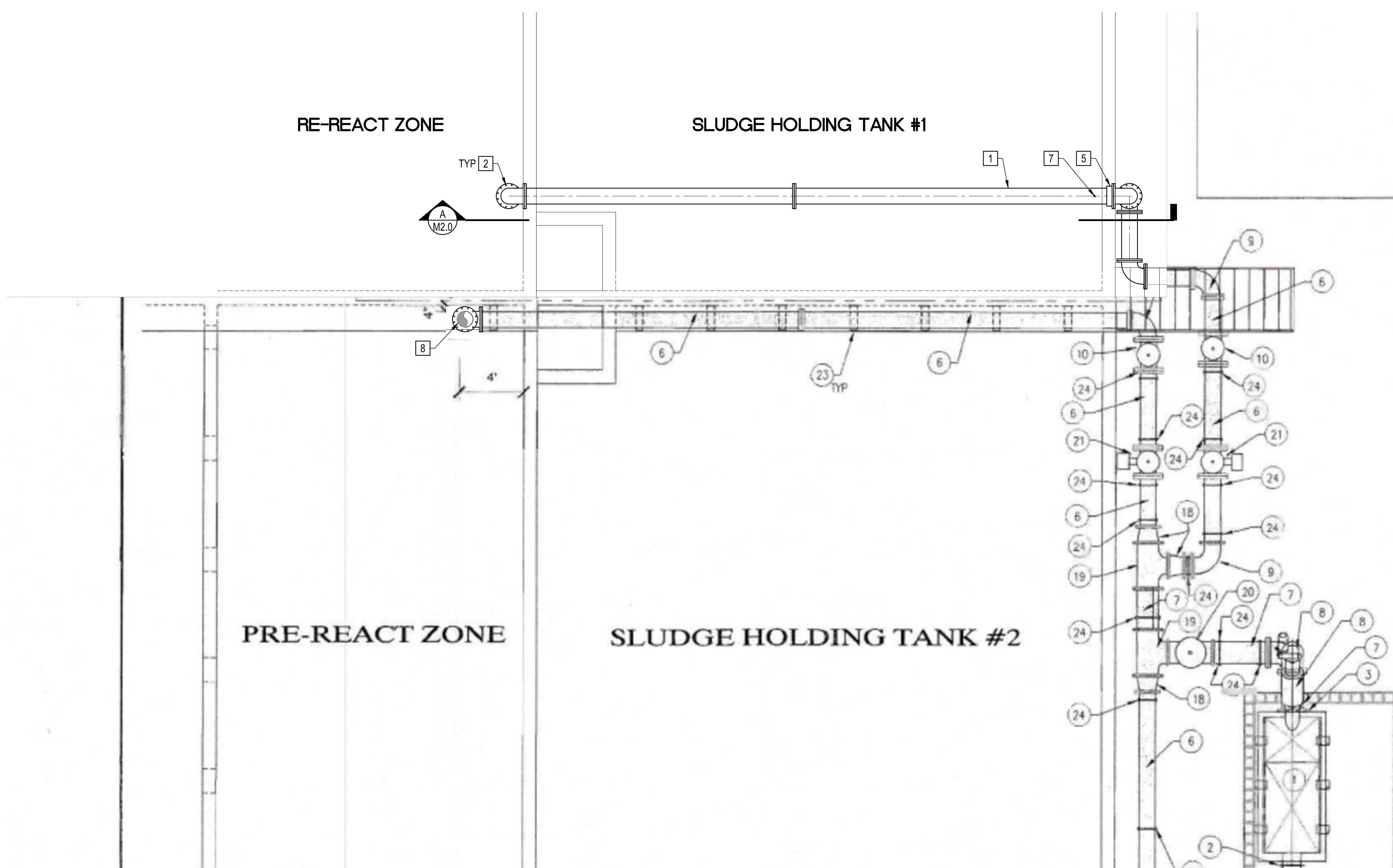
Xref: A911-80_1624.dwg
 Dimstyle = 48; LStyle = 1; PStyle = 1; ACD Ver. = 19.1s (LUS Tech); Version = 1



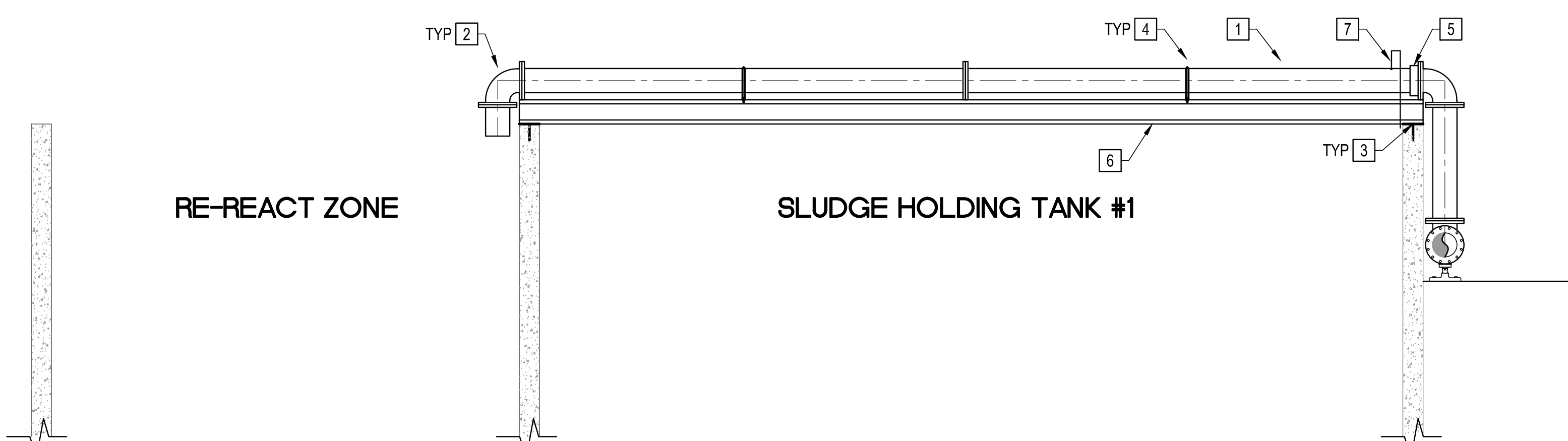
- DEMOLITION NOTES**
- 1 REMOVE 12" DIP AND FITTINGS. CONTRACTOR TO REUSE PIPE PER SHEET M2.0.
 - 2 CONTRACTOR TO ROTATE EX. ELBOW AND INSTALL DIP FLANGE x PE EXTENSION TO 12" BELOW TOP OF EX. WALL.
 - 3 CONTRACTOR TO REPAIR CORED HOLE ONCE EX. PIPE IS REMOVED. CONTRACTOR SHALL HAVE A KEYWAY CHIPPED INTO THE EDGE OF THE OPENING ALL AROUND. THE HOLE SHALL BE FILLED WITH 5000 PSI NON-SHRINK GROUT.

DEMOLITION PLAN
SCALE: 1/4" = 1'-0"

	PREPARED BY DUONG T. DO PROJECT ENGINEER R.C.E. NO. - 440050 EXP. 12/31/17	SCALE DRAWN K.V. DESIGNED D.T.D. CHECKED D.T.D.	DATE MAY 2016	Expires 12/31/17	NO. BY DATE REVISIONS	DATE APP.	
THESE DRAWINGS ARE THE PROPERTY OF P.A.C.E. AND SHALL NOT BE REPRODUCED IN ANY MANNER NOR BE USED FOR CONSTRUCTION UNLESS STAMPED "ISSUED FOR CONSTRUCTION".							
INFLUENT PIPING DEMOLITION PLAN							
CITY OF SAN LUIS EAST WASTEWATER TREATMENT PLANT							
San Luis							
17520 Newhops Street, Suite 200 Fountain Valley, CA 92708 P: (714) 481-7300 www.pacewater.com							
M1.0							
2 OF 2 SHEETS							
JOB NO. A911							



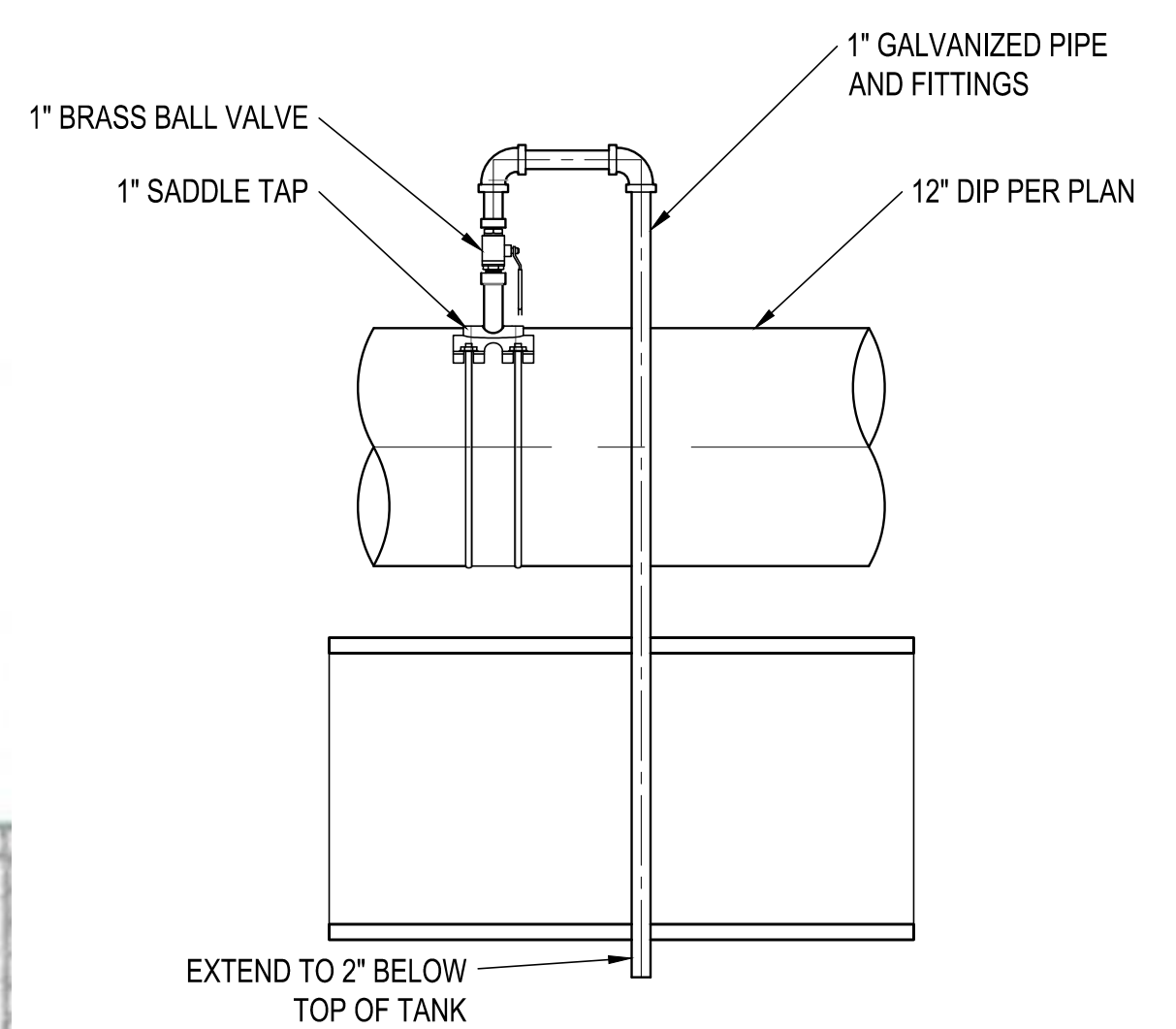
PLAN
SCALE: 1/4"= 1'-0"



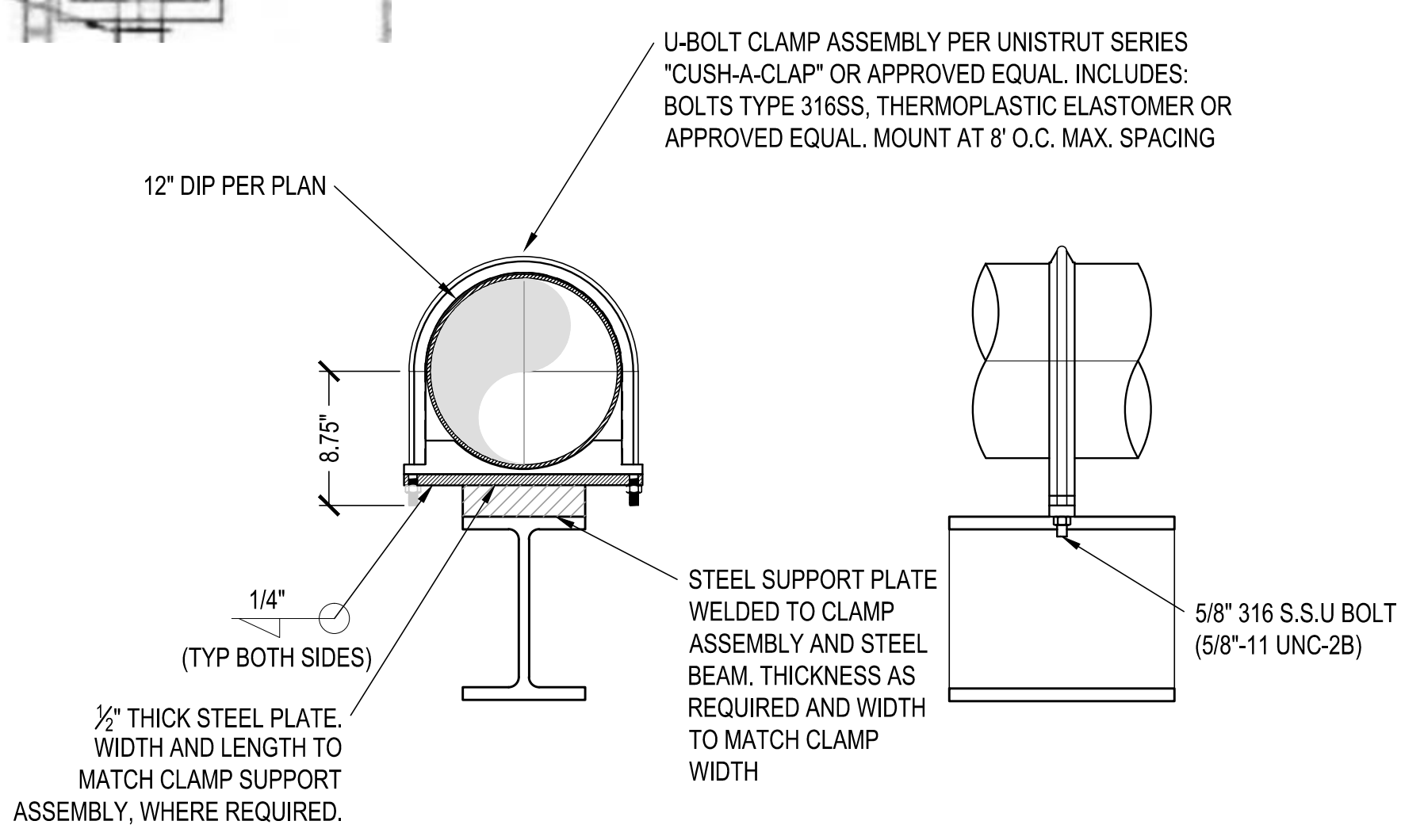
SECTION A
SCALE: 1/4"= 1'-0"

CONSTRUCTION NOTES

- 1 INSTALL 12" DIP.
- 2 INSTALL 12" DIP 90° ELBOW.
- 3 I-BEAM TO BE WELDED TO 1/2" STEEL PLATE WITH 8" EMBEDDED 1/2" S.S. ANCHORS.
- 4 U-BOLT CLAMP PER DETAIL B HEREON.
- 5 INSTALL 12" FLANGE ADAPTER.
- 6 INSTALL W12x40 I-BEAM.
- 7 INSTALL 1" MANUAL AIR RELIEF VALVE PER DETAIL A HEREON.
- 8 CONTRACTOR TO ROTATE EX. ELBOW AND INSTALL DIP FLANGE x PE EXTENSION TO 12" BELOW TOP OF EX. WALL.

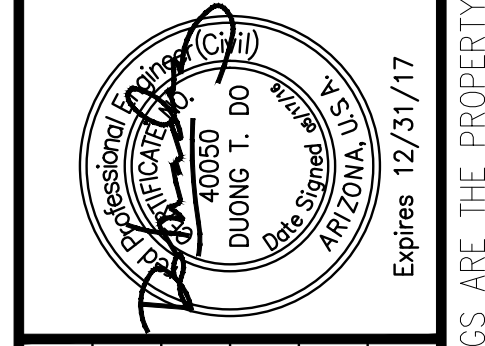


DETAIL A
SCALE: NTS



DETAIL B
SCALE: NTS

NO.	BY	DATE	REVISIONS	DATE	APP.



PREPARED BY DUONG T. DO	PROJECT ENGINEER R.G.E. NO. - 440050	SCALE	DATE MAY 2016
EXP. 12/31/17	DRAWN K.V.	DESIGNED D.T.D.	CHECKED D.T.D.

INFLUENT PIPING MODIFICATIONS

CITY OF SAN LUIS EAST WASTEWATER TREATMENT PLANT SAN LUIS AZ

PACE
Advanced Water Engineering
17520 Newhops Street, Suite 200 | Fountain Valley, CA 92708
P: (714) 481-7300 | www.pacewater.com

Xref: A911-80-1824.dwg
 Dimstyle = 48; Lstyle = 1; PStyle = 1; ACAD Ver. = 19.1s (LMS Tech); Viretion = 1

THESE DRAWINGS ARE THE PROPERTY OF P.A.C.E. AND SHALL NOT BE REPRODUCED IN ANY MANNER NOR BE USED FOR CONSTRUCTION UNLESS STAMPED "ISSUED FOR CONSTRUCTION".