



A PLAYCORE Company

8700 E Vista Bonita Dr. Ste 188
Scottsdale, AZ 85255
www.triplemrec.com
800-235-2440

10/01/2019
Quote #69031

JOE ORDURO PARK -SHADES

CITY OF SAN LUIS, AZ
Attn: Omar Velazquez
P.O. BOX 7740/785 N. FIRST AVENUE
SAN LUIS, AZ 85349
Phone: 928-341-8535
Fax: 928-627-0153
ovelazquez@cityofsanluis.org

Ship to Zip 85143

Quantity	Part #	Description	Unit Price	Amount
1	STM109	GT-Shade - RD203012SN 12' SM-Rec	\$6,818.00	\$6,818.00
1	STM035	GT-Shade - SD282812SN 12' SM-Sq	\$7,508.00	\$7,508.00
1	STM107	GT-Shade - RD202412SN 12' SM-Rec	\$5,111.00	\$5,111.00
3	3680	GT-Shade - Sealed Drawings	\$600.00	\$1,800.00
1	INSTALL	GameTime - EQUIPMENT INSTALLATION- PERMITS, TEMP FENCING, PRIVATE LOCATOR BY OTHERS SWING TO BE RELOCATED BY OTHERS	\$22,795.00	\$22,795.00
Contract: USC			Sub Total	\$44,032.00
			Discount	(\$583.11)
			Freight	\$1,698.96
			Tax	\$4,654.25
			Total	\$49,802.10



A PLAYCORE Company

8700 E Vista Bonita Dr. Ste 188
Scottsdale, AZ 85255
www.triplemrec.com
800-235-2440

10/01/2019
Quote #69031

JOE ORDURO PARK -SHADES

Pricing: Prices are firm for 30 days unless otherwise noted. Above costs assume one shipment and one installation unless otherwise noted. Taxes will be shown as a separate line item if included. Any applicable taxes not shown will be applied to the final invoice.

Lead Time/Shipment: Standard orders shipped 4 weeks after receipt of order and acceptance of your purchase order, color selections, approved submittals, (if required) unless otherwise noted. Custom equipment and shades may require a longer lead time. Surfacing lead time is approximately 2 weeks after scheduling request. It is the responsibility of the owner to offload and inventory equipment, unless other arrangements have been made. Missing or damaged equipment must be reported within 60 days of acceptance of delivery. Equipment may be sent in multiple shipments based on point of origin.

Payment Terms: Payment in full, Net 30 days subject to approval by Credit Manager. Pre-payment may be required for orders equaling less than \$5,000. A signed P.O. made out to Gametime C/O Cunningham Associates, Inc. or this signed quotation is required for all orders unless otherwise noted. A 1.5% per month finance charge will be imposed on all past due accounts. Equipment shall be invoiced separately from other services and shall be payable in advance of those services and project completion. Checks should be made payable to Game Time unless otherwise directed.

Returns: Returns are available on shipments delivered within the last 60 days and only if the product is in merchantable condition, has never been installed, and has never been stored in an area of little or no protection. A 25% restocking fee will be applied to all goods. Customer will be charged freight for both the outbound and inbound shipment. Any credit will be based on the condition of the item upon its return. Uprights cannot be returned.

Acceptance of this proposal indicates your agreement to the terms and condition stated herein.

Wish to pay by credit card? Please complete the following information:

_____ Mastercard _____ Visa _____ AMEX

Credit Card Number: _____ Exp Date: _____

CSC, Carde Security Code: _____

Name as it appears on card: _____

Amount to be charged to card: _____

Email or Fax credit card receipt to: _____

THIS QUOTATION IS SUBJECT TO POLICES IN THE CURRENT GAMETIME PARK AND PLAYGROUND CATALOG AND THE FOLLOWING TERMS AND CONDITIONS. OUR QUOTATION IS BASED ON SHIPMENT OF ALL ITEMS AT ONE TIME TO A SINGLE DESTINATION, UNLESS NOTED, AND CHANGES ARE SUBJECT TO PRICE ADJUSTMENT. PURCHASES IN EXCESS OF \$1,000.00 TO BE SUPPORTED BY YOUR WRITTEN PURCHASE ORDER MADE OUT TO PLAYCORE WISCONSIN, INC dba GAMETIME

Pricing: f.o.b. factory. [Pricing Firm for 30 Days from the day of this quotation.](#)

Payment terms: net 30 days for tax supported governmental agencies. A 1.5% per month finance charge will be imposed on all past due accounts. Equipment shall be invoiced separately from other services and shall be payable in advance of those services and project completion. Retainage not accepted.

Shipment: Standard playground, Furnishings order shall ship within 3-4 weeks, Shades and Shelters 6-12 weeks, Surfacing 1-2 weeks after GameTime's receipt and acceptance of your purchase order, color selections, approved submittals, and receipt of deposit, if required.

Freight charges: Allowed & prepaid

Installation: shall be by a Certified GameTime Installer. Customer shall be responsible for scheduling coordination and site preparation. Site should be level and permit installation equipment access.

PURCHASER SHALL ABSORB ALL COSTS INCURRED FROM UNKOWN SOIL CONDITIONS SUCH AS ROCK REMOVAL, POOR DIGGING CONDITIONS (BEDROCK), OR POOR SOIL BEARING CAPACITY, INCLUDING BUT NOT LIMITED TO JACKHAMMER, BACKHOE OR BULLDOZER, SONOTUBES (PLUS DELIVERY, OPERATOR AND INSTALLATION IF REQUIRED)

Exclusions: unless specifically included, this quotation excludes all bonds, prevailing wages, site work and landscaping; removal of existing equipment; acceptance of equipment and off-loading; storage of goods prior to installation; equipment assembly and installation; safety surfacing; borders and drainage provisions.



8700 E Vista Bonita Dr. Ste 188
Scottsdale, AZ 85255
www.triplemrec.com
800-235-2440

10/01/2019
Quote #69031

JOE ORDURO PARK -SHADES

BILL TO CUSTOMER:

SHIP TO CUSTOMER:

PHONE NUMBER: _____

PHONE NUMBER: _____

FAX NUMBER: _____

FAX NUMBER: _____

EMAIL FOR ORDER ACKNOWLEDGEMENT: _____

COLORS: _____ (PALETTE)

UPRIGHTS: _____

DECKS: _____

ACCENTS: _____

ARCHES: _____

PLASTIC: _____

METAL ROOFS: _____

ROCK PLASTIC: _____

GRIPS: _____

ROOFS: _____

TUBES: _____

HDPE: _____

2 HDPE: _____

SWINGS: _____

Sales Associate's Signature



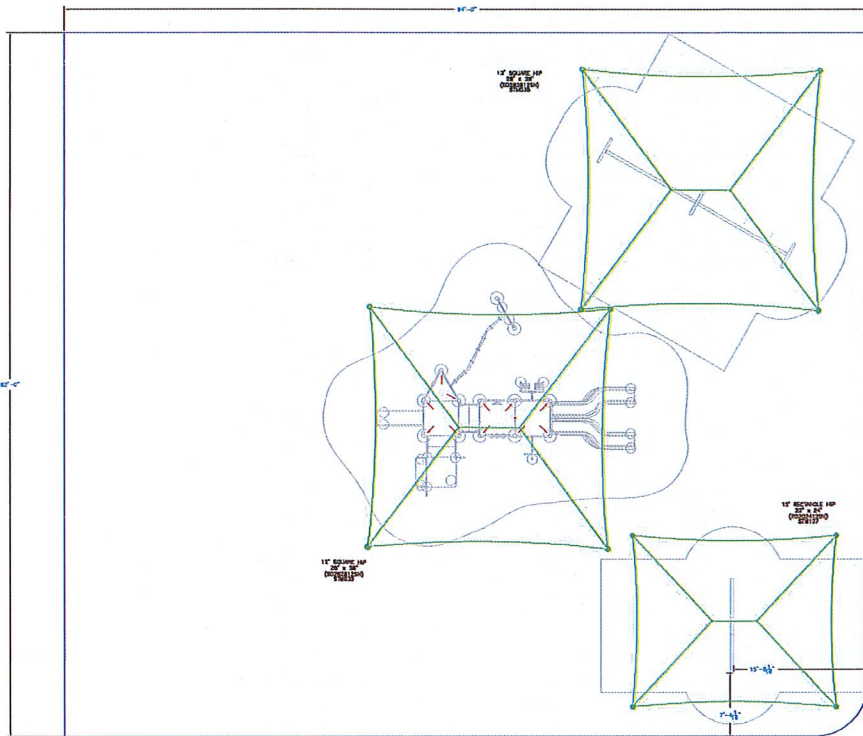
8700 E Vista Bonita Dr. Ste 188
Scottsdale, AZ 85255
www.triplemrec.com
800-235-2440

10/01/2019
Quote #69031

JOE ORDURO PARK -SHADES

Customer's Signature

Date



150 PlayCore Drive SE
Fort Payne, AL 35967
www.gametime.com

JOE ORDUNO PARK

Representative
TRIPLE M RECREATION

This Unit includes play events and modules or travel specifically designed for special needs users. It is the opinion of the manufacturer that these play events and modules of travel conform to the accessibility requirements of the ADA (Americans with Disabilities Act).

Total Elevated Play Components	Required
Total Elevated Play Components Accessible By Ramp	Required
Total Elevated Components Accessible By Transfer	Required
Total Accessible Ground Level Components Shown	Required
Total Different Types Of Ground Level Components	Required

This play equipment is recommended for children ages

Minimum Area Required:
Scale:
This drawing can be scaled only when in an 24" x 36" format

DISCLAIMER: End users working should be placed in the use zones of all equipment, as specified for each type of equipment, and at depths to meet the critical fall heights as specified by the U.S. Consumer Product Safety Commission, ASTM standard F 1418 and Canadian Standard CAN/CSA Z-614.

Drawn By:

Date:

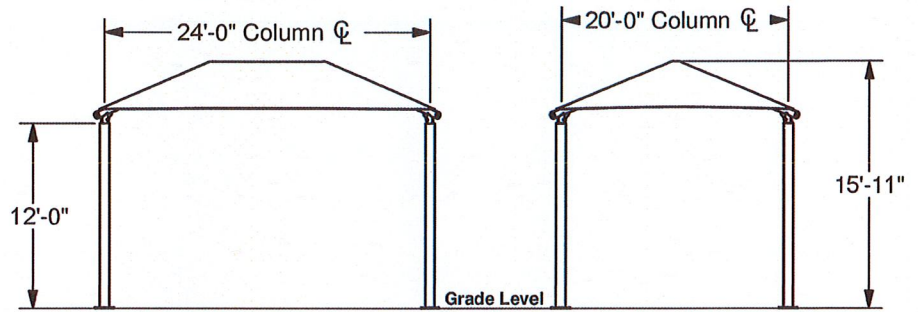
Drawing Name:

RECTANGLE HIP SHADE

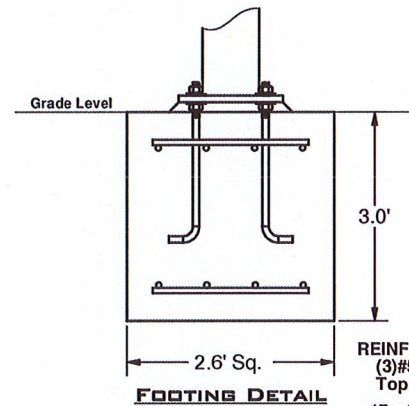
20' x 24' x 12'

MODEL #:
RD202412SG (With Glide Elbows)
RD202412SN (Without Glide Elbows)

REF.#	PART DESCRIPTION	QTY.
1	Ø5.0" Capped Surface Mount Column	4
2	Angled Elbow	4
3	Ø2.88" Hip Rafter w/ Swaged End	4
4	Ø2.88" Ridge Pole w/ Swaged Ends	1
5	Rectangle "Y" Connection	2
6	Fabric Cover w/ Cable Insert	1
7	Frame Hardware Kit	1



TRIMETRIC VIEW



FOOTING DETAIL

REINF.
(3)#5 EW
Top And Bottom

*Footing design based on 1500 PSF soil bearing pressure.

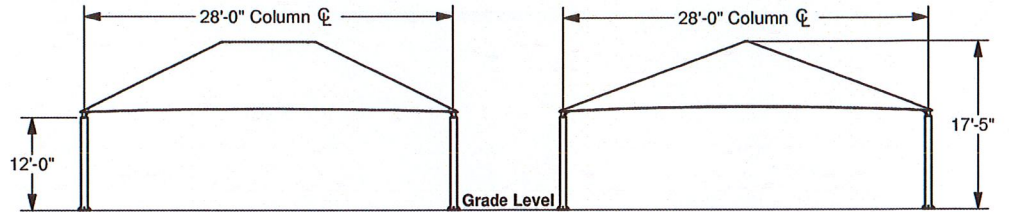
These drawings are for reference only and should not be used as construction details. Materials, fasteners, and foundations are subject to change if professionally sealed engineering drawings are required. Designed for 93 MPH Basic Wind Speed.

SQUARE HIP SHADE

28' x 28' x 12'

MODEL #:
SD282812SG (With Glide Elbows)
SD282812SN (Without Glide Elbows)

REF.#	PART DESCRIPTION	QTY.
1	Ø6.6" Capped Surface Mount Column	4
2	Angled Elbow	4
3	Ø3.5" Hip Rafter w/ Swaged End	4
4	Ø3.5" Ridge Pole w/ Swaged Ends	1
5	Square "Y" Connection	2
6	Fabric Cover w/ Cable Insert	1
7	Frame Hardware Kit	1

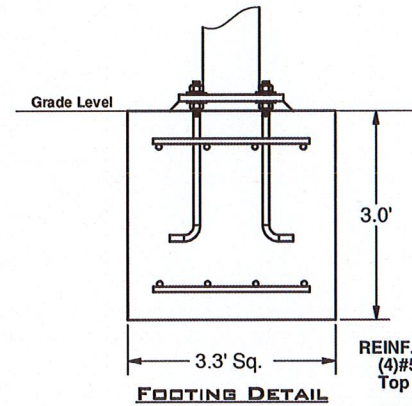


FRONT VIEW

SIDE VIEW



TRIMETRIC VIEW



FOOTING DETAIL

REINF.
(4)#5 EW
Top And Bottom

*Footing design based on 1500 PSF soil bearing pressure.

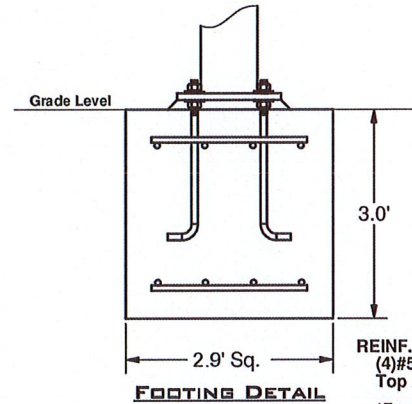
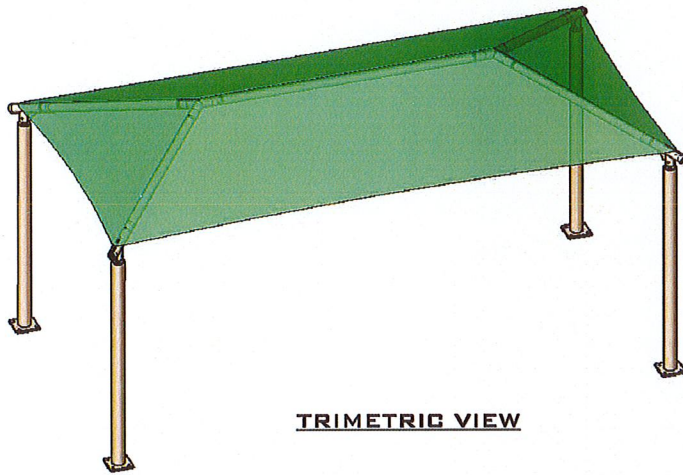
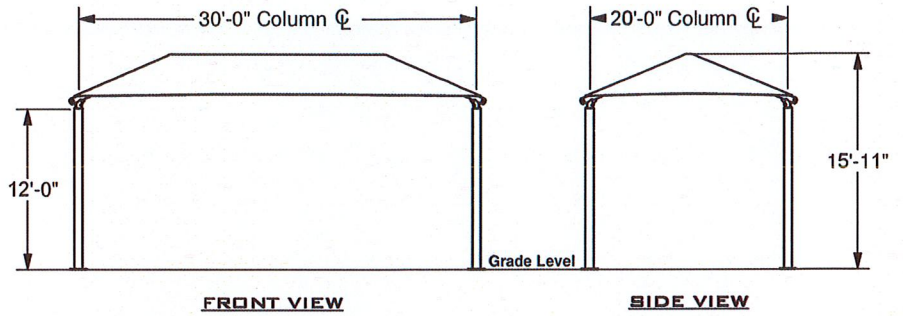
These drawings are for reference only and should not be used as construction details. Materials, fasteners, and foundations are subject to change if professionally sealed engineering drawings are required. Designed for 93 MPH Basic Wind Speed.

RECTANGLE HIP SHADE

20' x 30' x 12'

MODEL #:
RD203012SG (With Glide Elbows)
RD203012SN (Without Glide Elbows)

REF.#	PART DESCRIPTION	QTY.
1	Ø6.6" Capped Surface Mount Column	4
2	Angled Elbow	4
3	Ø2.88" Hip Rafter w/ Swaged End	4
4	Ø2.88" Ridge Pole w/ Swaged Ends	1
5	Rectangle "Y" Connection	2
6	Fabric Cover w/ Cable Insert	1
7	Frame Hardware Kit	1



REINF.
(4)#5 EW
Top And Bottom
*Footing design based
on 1500 PSF soil
bearing pressure.

These drawings are for reference only and should not be used as construction details. Materials, fasteners, and foundations are subject to change if professionally sealed engineering drawings are required. Designed for 93 MPH Basic Wind Speed.