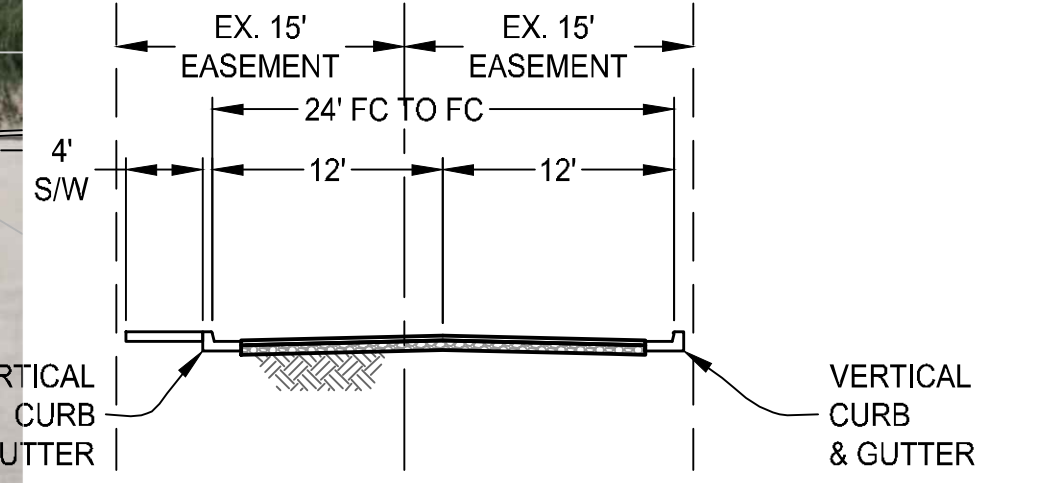
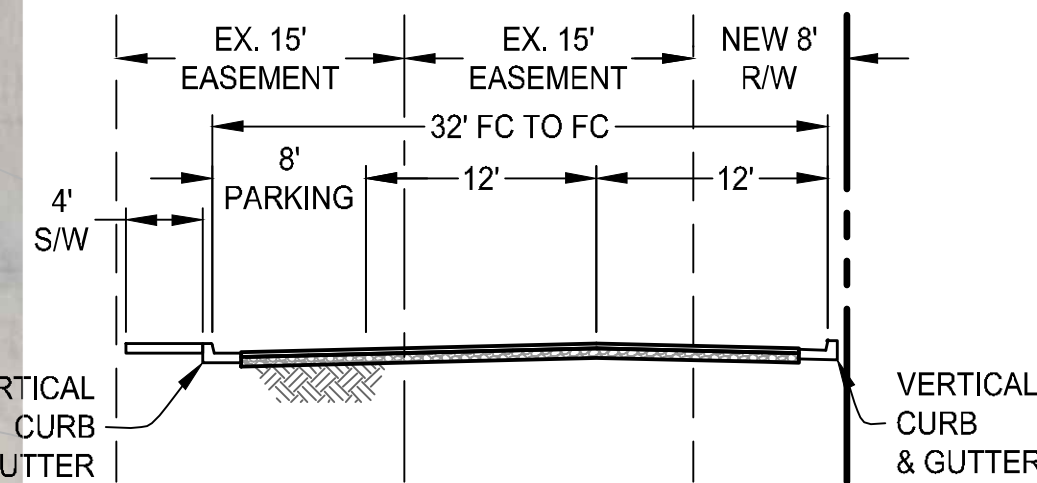


0 50' 100'  
SCALE: 1" = 50'



TYPICAL CROSS SECTION - ALTERNATIVE 1  
SCALE: 1"=10'



TYPICAL CROSS SECTION - ALTERNATIVE 2  
SCALE: 1"=10'



CSL-27

**JAMES DAVEY AND ASSOCIATES**  
CONSULTING CIVIL ENGINEERS  
1025 W. 24th Street, Suite 2 - YUMA, AZ 85364 - (928) 782-7928

**CITY OF SAN LUIS**  
MESA STREET ROADWAY IMPROVEMENTS

ALTERNATIVE 1	
PREPARED FOR:	CITY OF SAN LUIS COMMUNITY DEVELOPMENT SAN LUIS, AZ 85349 (928) 341-8584
DESIGNED BY:	T.S.
DRAWN BY:	O.J.Z.
APPROVED BY:	J.V.D.
SHEET	P-1
DATE	NOVEMBER 16, 2020