

SELF STORAGE BUILDINGS COUNT	
UNIT SIZE	NO. UNITS
10' x 20'	33
10' x 10'	16
8' x 15'	34
<b>TOTAL</b>	<b>83</b>

REVISIONS	

LOT 37 PLAZA  
COLIBRI  
COMMERCIAL  
SUBDIVISION

SITE PLAN

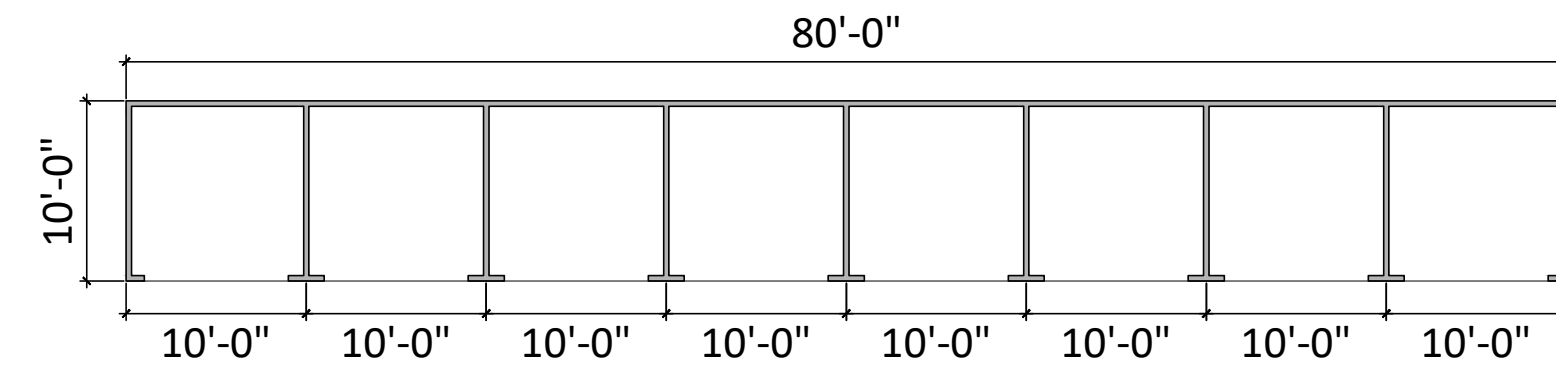
COLIBRI  
SELF STORAGE



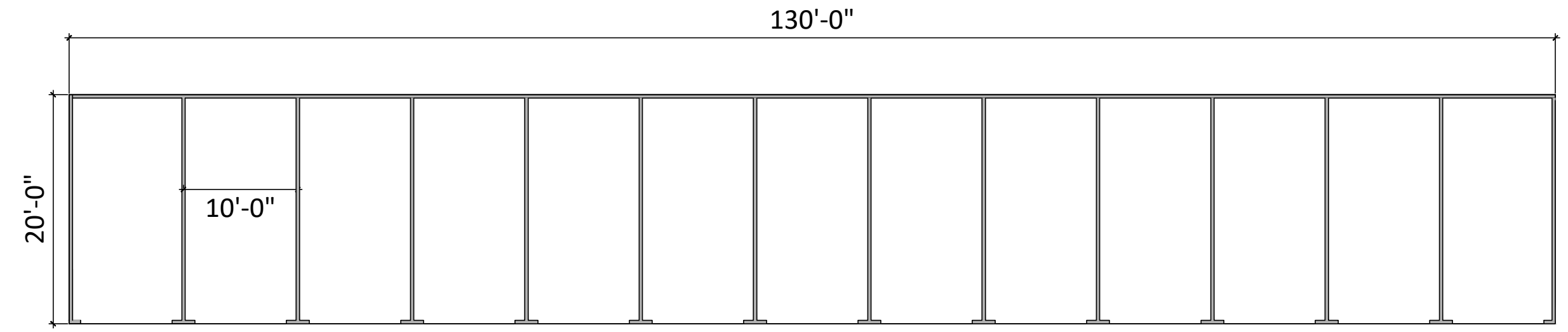
PRELIMINARY  
NOT FOR  
CONSTRUCTION

DATE:  
JANUARY 2024  
DRAWN:  
LPR  
CHECKED:  
NKE  
PROJECT:  
24-005

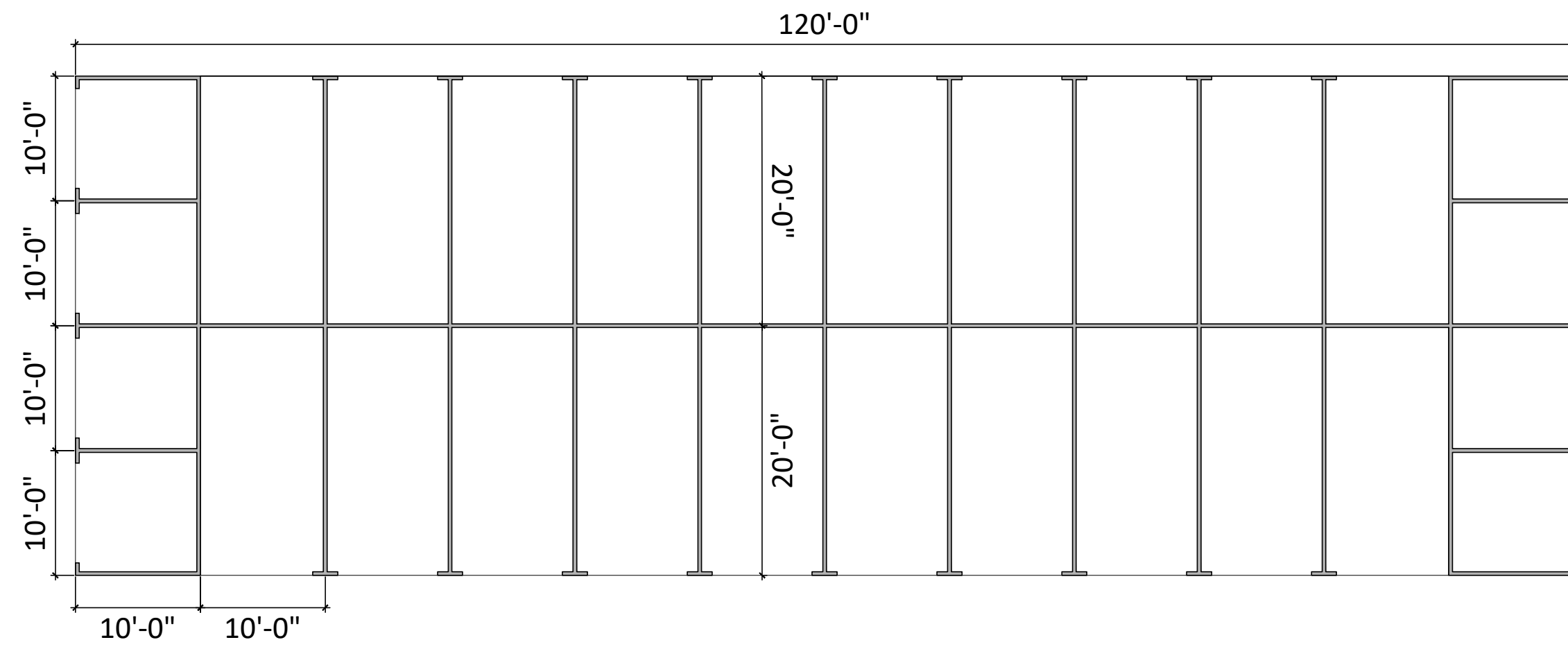
SHEET NUMBER  
**C**



**BUILDING A FLOOR PLAN**  
 (8) 10 x 10 UNITS SCALE: 3/32"=1'-0"

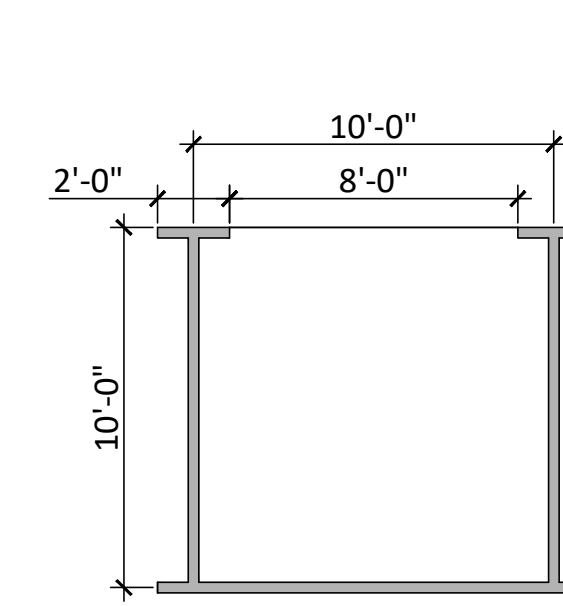


**BUILDING B FLOOR PLAN**  
 (10) 10 x 20 UNITS SCALE: 3/32"=1'-0"

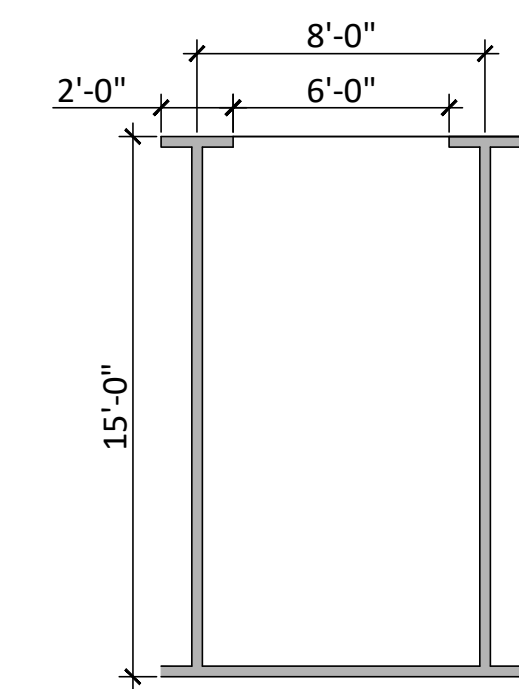


**BUILDING C-F FLOOR PLAN**  
 (20) 10 x 20 UNITS SCALE: 3/32"=1'-0"  
 (8) 10 x 10 UNITS

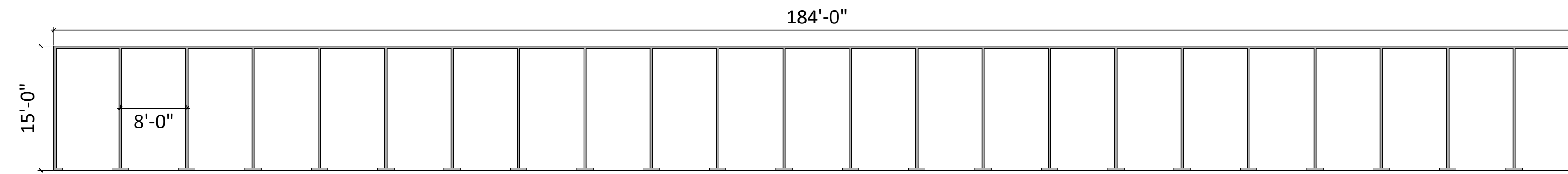
**BUILDING FLOOR PLAN**  
 SCALE: 3/32"=1'-0"



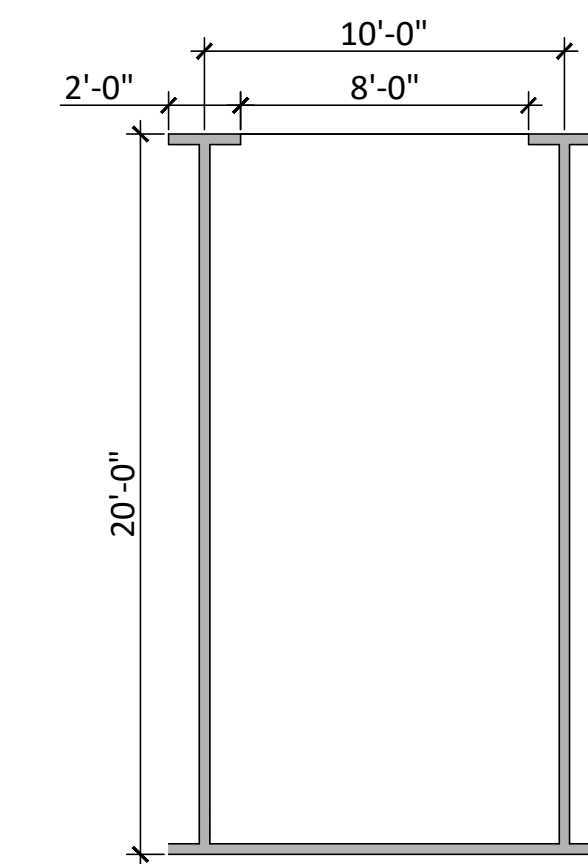
TYP. 10'X10' STORAGE UNIT  
 SCALE: 3/16"=1'-0"



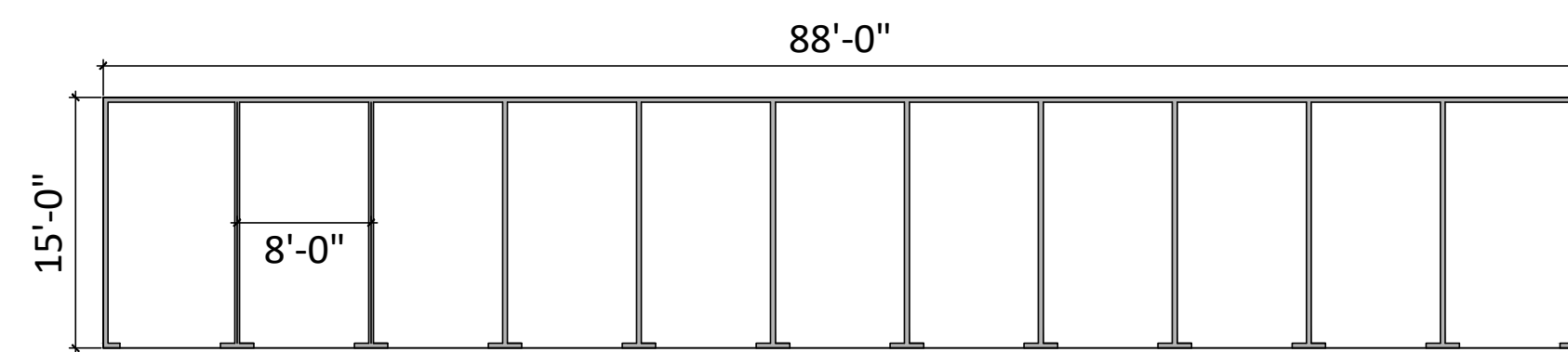
TYP. 8'X15' STORAGE UNIT  
 SCALE: 3/16"=1'-0"



**BUILDING D FLOOR PLAN**  
 (23) 8 x 15 UNITS SCALE: 3/32"=1'-0"



TYP. 10'X20' STORAGE UNIT  
 SCALE: 3/16"=1'-0"



**BUILDING E FLOOR PLAN**  
 (11) 8 x 15 UNITS SCALE: 3/32"=1'-0"

REVISIONS	
▲	
▲	
▲	
▲	
▲	

LOT 37  
 PLAZA COLIBRI  
 COMMERCIAL  
 SUBDIVISION

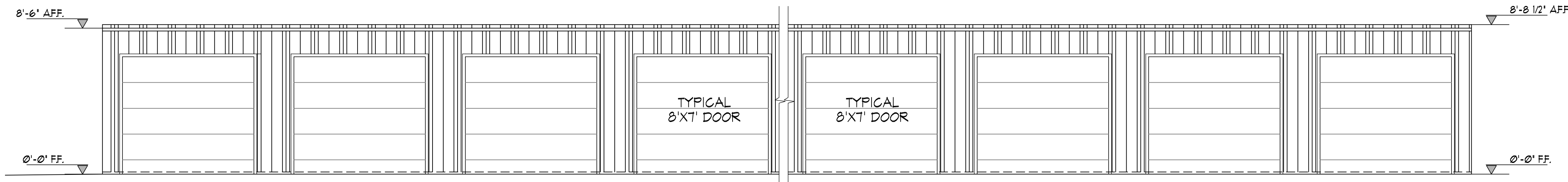
FLOOR PLAN

COLIBRI SELF  
 STORAGE

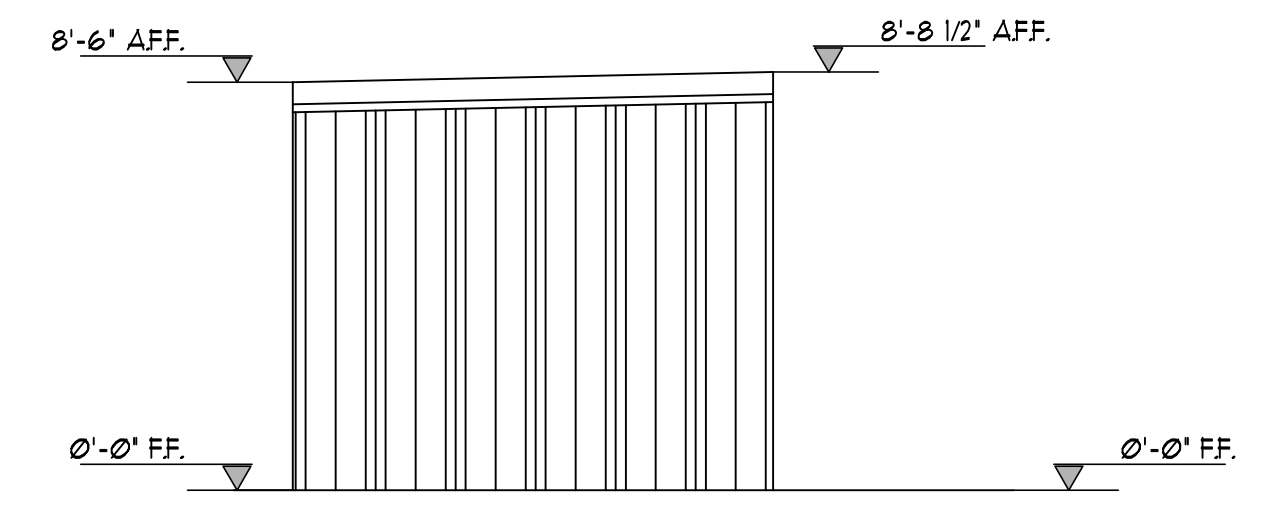
**EDAIS**  
 Engineering, Inc.  
 Yuma, Arizona 85385  
 (928) 344-3568  
 www.edaisengineering.com

DATE:  
 JANUARY 2024  
 DRAWN:  
 LPR  
 CHECKED:  
 NKE  
 PROJECT:  
 24-005  
 SHEET NUMBER

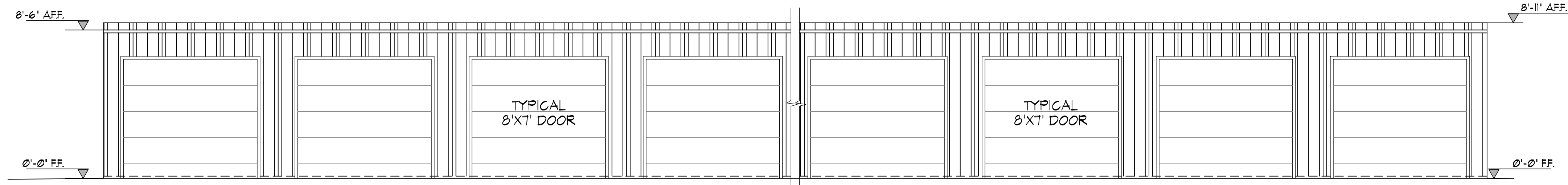
A1



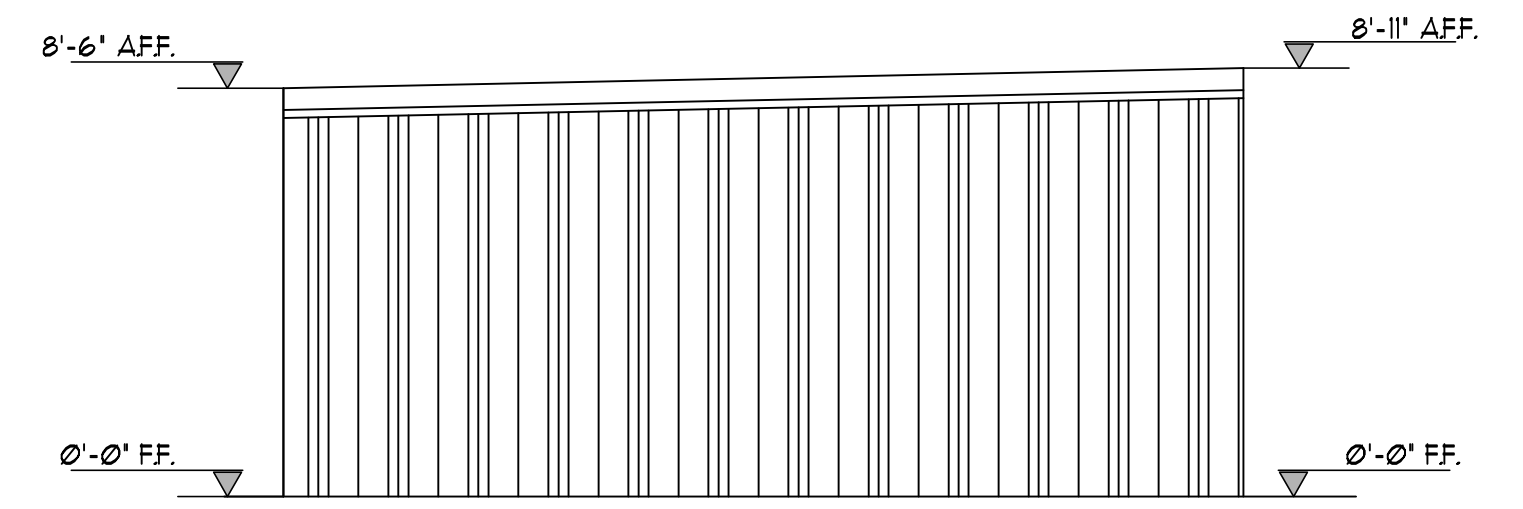
**FRONT ELEVATION**  
(BUILDING A) SCALE: 1/4"=1'-0"



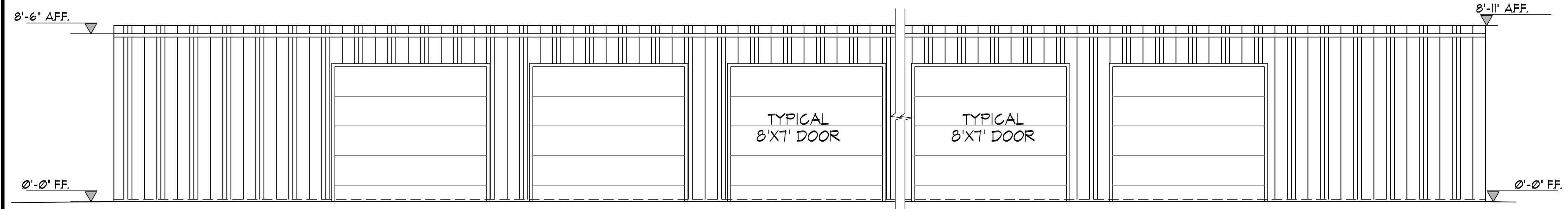
**SIDE ELEVATION**  
(BUILDING - A) SCALE: 1/4"=1'-0"



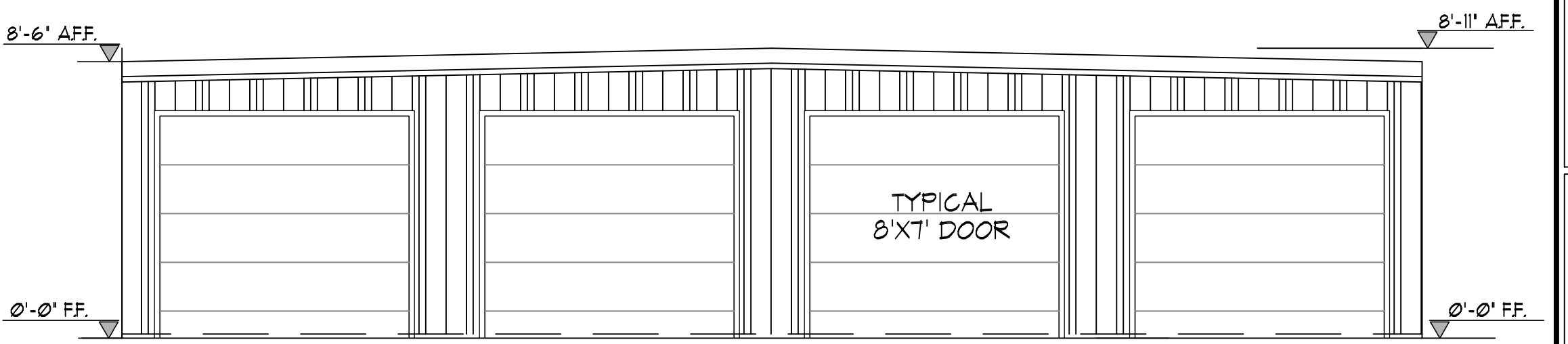
**FRONT ELEVATION**  
(BUILDING B) SCALE: 1/4"=1'-0"



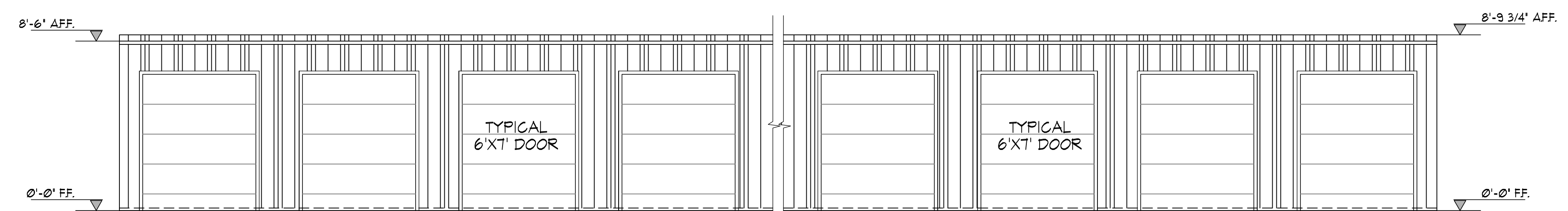
**SIDE ELEVATION**  
(BUILDING - B) SCALE: 1/4"=1'-0"



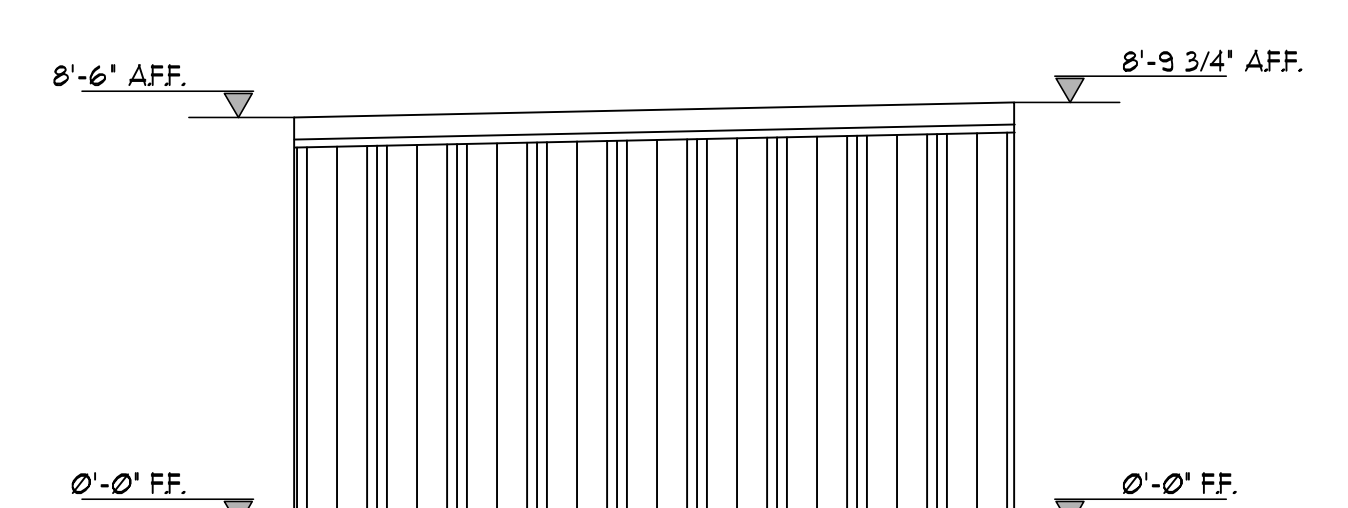
**FRONT ELEVATION**  
(BUILDING C) SCALE: 1/4"=1'-0"



**SIDE ELEVATION**  
(BUILDING - C) SCALE: 1/4"=1'-0"



**FRONT ELEVATION**  
(BUILDING D-E) SCALE: 1/4"=1'-0"



**SIDE ELEVATION**  
(BUILDING D-E) SCALE: 1/4"=1'-0"

REVISIONS	

LOT 37  
PLAZA COLIBRI  
COMMERCIAL  
SUBDIVISION

ELEVATIONS

COLIBRI SELF  
STORAGE

**EDAIS**  
Engineering, Inc.  
Yuma, Arizona 85395  
www.edaisgroup.com  
www.edaisengineering.com

DATE:	JANUARY 2024
DRAWN:	LPR
CHECKED:	NKE
PROJECT:	24-005
SHEET NUMBER	A2