

Dealer: REPUBLIC EVS

Approved By:

Date:

Customer:

SAN LUIS

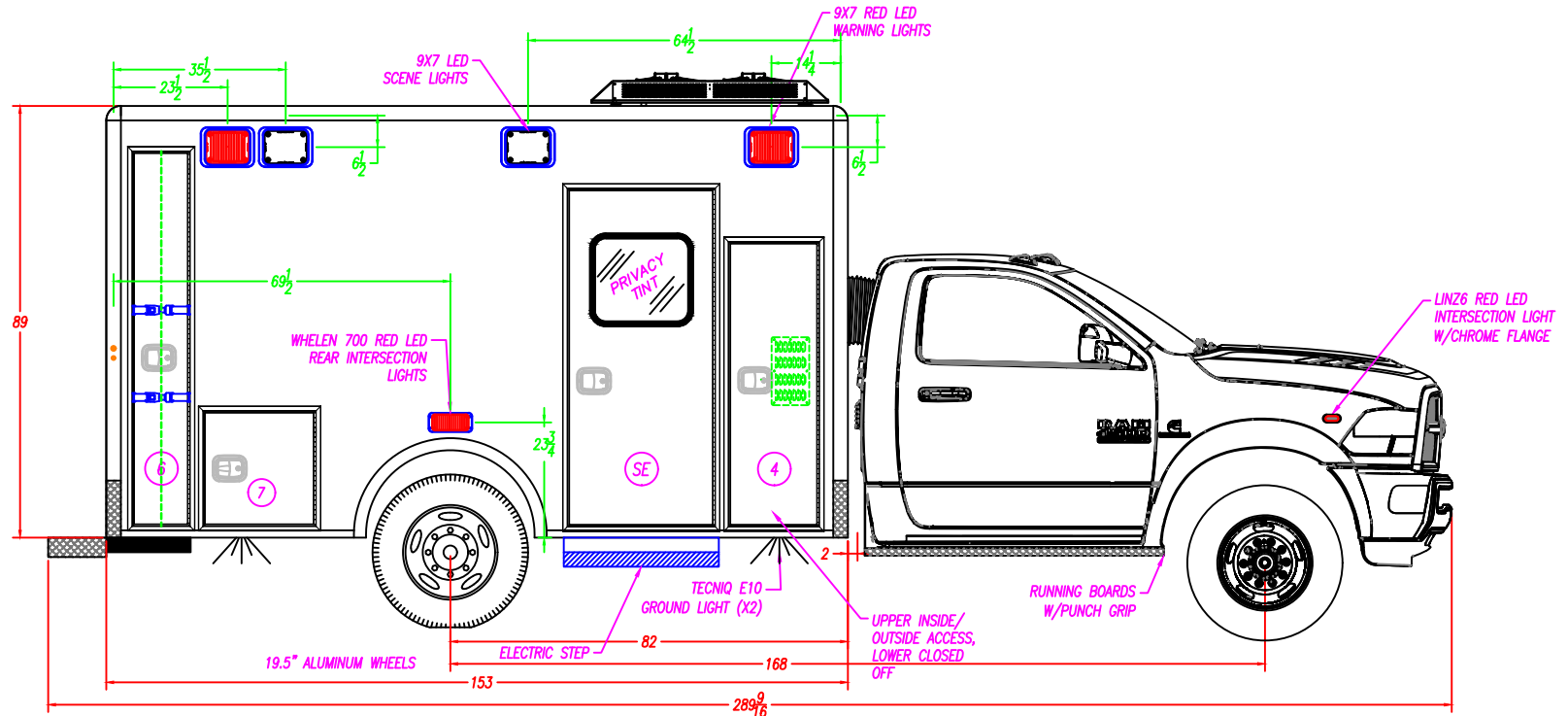
21-MH1347

Sheet

A

ALL COMPARTMENT/ENTRY DOORS TO HAVE POWER LOCKS  
WIRE TO OEM

ALL GREEN DIMENSIONS ARE TAKEN FROM EDGE OF WALL  
SURFACE PRIOR TO CORNER CAP BEING APPLIED



COMPARTMENT SIZES

NOTE: THE DIMENSIONS BELOW ARE ROUGH OPENINGS, SUBTRACT 1/4" FOR TUB SIZE

COMPARTMENT & ENTRY DOORS

COMPARTMENT TUBS

NO.	COMPARTMENT TYPE	WIDTH	HEIGHT	DEPTH
4	ALS/BATTERY COMPARTMENT	---	---	---
6	BACKBOARD STORAGE COMPARTMENT	12 3/8"	77 3/4"	19"
7	STORAGE COMPARTMENT	23 3/4"	24 1/4"	15 1/2"

NO.	PART NUMBER	NO.	PARTNUMBER
4	71-A10910	SE	71-116128
6	71-115267	-	---
7	71-A12276	-	---

NO.	PART NUMBER	NO.	PARTNUMBER
4	41-101372	7	41-104150
SE	41-101781	-	---
6	41-115268	-	---

COMPARTMENT / ENTRY DOOR SIZES

NO.	COMPARTMENT / ENTRY DOOR TYPE	WIDTH	HEIGHT
4	ALS/BATTERY COMPARTMENT DOOR	18"	58 7/8"
6	BACKBOARD COMPARTMENT DOOR	11 3/8"	76 3/8"
SE	SIDE ENTRY DOOR	29 3/4"	71 1/8"
7	STORAGE COMPARTMENT	22 9/16"	23 1/8"

DODGE 4500 168" W.B.  
ME-153" TYPE I AMBULANCE  
CURB SIDE EXTERIOR

DESCRIPTION:  
DRAWN BY: I.STANSBURY DATE CREATED: 6/28/2021 SCALE: 5/16"=1'  
REVISED BY: I.STANSBURY DATE REVISED: 7/12/2021 REVISION: B

**MEDIX** 3008 MOBILE DRIVE  
ELKHART, IN 46514  
PH: 574-266-0911  
SPECIALTY VEHICLES, INC. FAX: 574-266-6669  
"LET US SHOW YOU THE MEDIX DIFFERENCE"  
WWW.MEDIXAMBULANCE.COM

Note: Drawings are for reference only, measurements may vary from actual product.

**Dealer:** REPUBLIC EVS

**Approved By:**

**Date:**

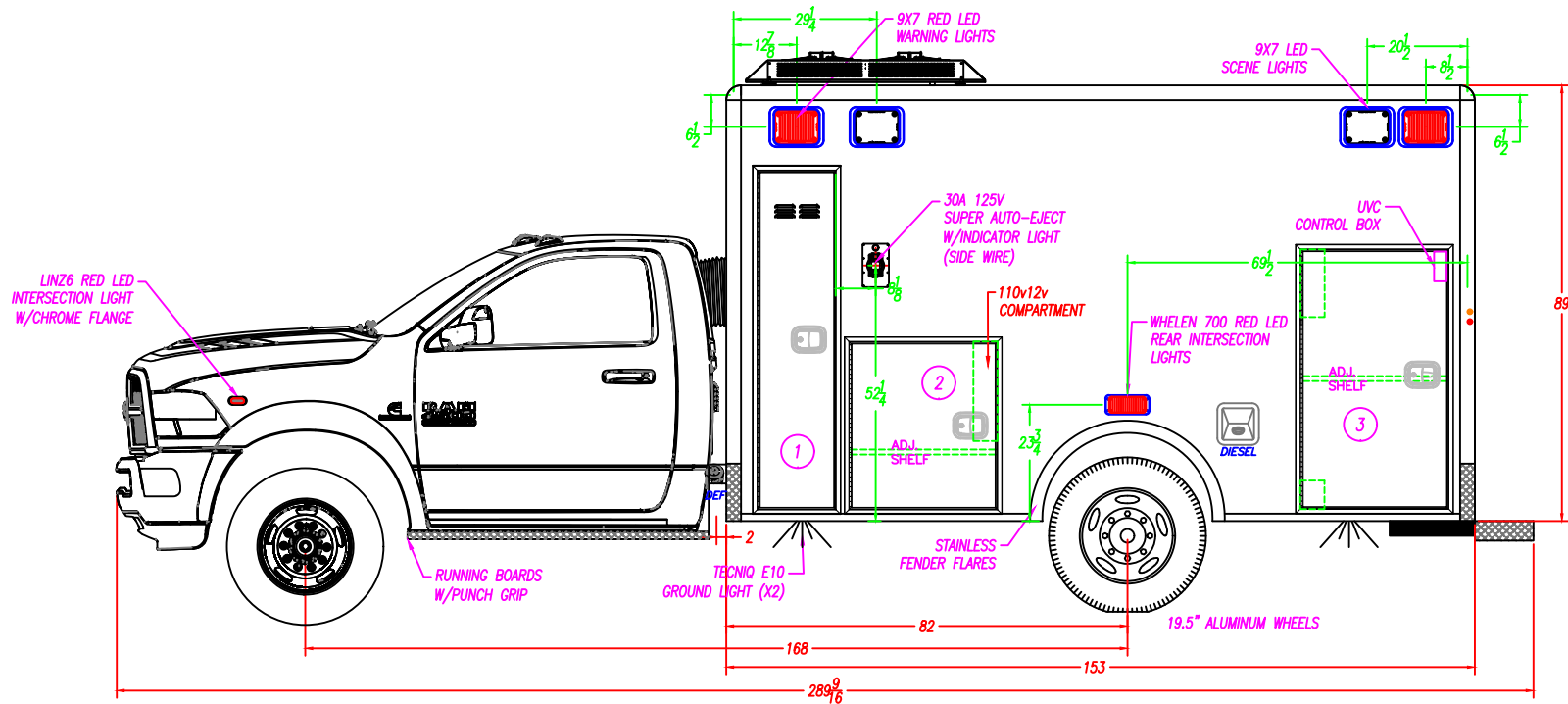
**Customer:** SAN LUIS

21-MH1347

Sheet  
**B**

ALL COMPARTMENT/ENTRY DOORS TO HAVE POWER LOCKS  
WIRE TO OEM

ALL GREEN DIMENSIONS ARE TAKEN FROM EDGE OF WALL  
SURFACE PRIOR TO CORNER CAP BEING APPLIED



**COMPARTMENT SIZES**

NOTE: THE DIMENSIONS BELOW ARE ROUGH OPENINGS, SUBTRACT 1/4" FOR TUB SIZE

**COMPARTMENT & ENTRY DOORS**

**COMPARTMENT TUBS**

NO.	COMPARTMENT TYPE	WIDTH	HEIGHT	DEPTH
1	O2 STORAGE COMPARTMENT	16 3/4"	69 3/4"	15 3/4"
2	MID BODY STORAGE COMPARTMENT	30 3/4"	34 1/2"	15 3/4"
3	REAR STORAGE COMPARTMENT	34 3/4"	53 3/4"	18 3/4"

NO.	PART NUMBER	NO.	PARTNUMBER
1	71-A10911	-	---
2	71-A10976	-	---
3	71-A10975	-	---

NO.	PART NUMBER	NO.	PARTNUMBER
1	41-101248	-	---
2	41-102461	-	---
3	41-104586	-	---

**COMPARTMENT / ENTRY DOOR SIZES**

NO.	COMPARTMENT / ENTRY DOOR TYPE	WIDTH	HEIGHT
1	O2 STORAGE COMPARTMENT DOOR	15 3/8"	68 7/8"
2	MID BODY STORAGE COMPARTMENT DOOR	29 9/16"	33 7/8"
3	REAR STORAGE COMPARTMENT DOOR	33 5/8"	52 7/8"

DODGE 4500 168" W.B.  
ME-153" TYPE I AMBULANCE  
STREET SIDE EXTERIOR

DESCRIPTION:

DRAWN BY: I.STANSBURY	DATE CREATED: 6/28/2021	SCALE: 5/16"=1'
REVISED BY: I.STANSBURY	DATE REVISED: 7/12/2021	REVISION: B

Note: Drawings are for reference only, measurements may vary from actual product.



**MEDIX**  
SPECIALTY VEHICLES, INC.

3008 MOBILE DRIVE  
ELKHART, IN 46514  
PH: 574-266-0911  
FAX: 574-266-6669

"LET US SHOW YOU THE MEDIX DIFFERENCE"  
WWW.MEDIXAMBULANCE.COM

Dealer: REPUBLIC EVS

Approved By:

Date:

Customer: SAN LUIS

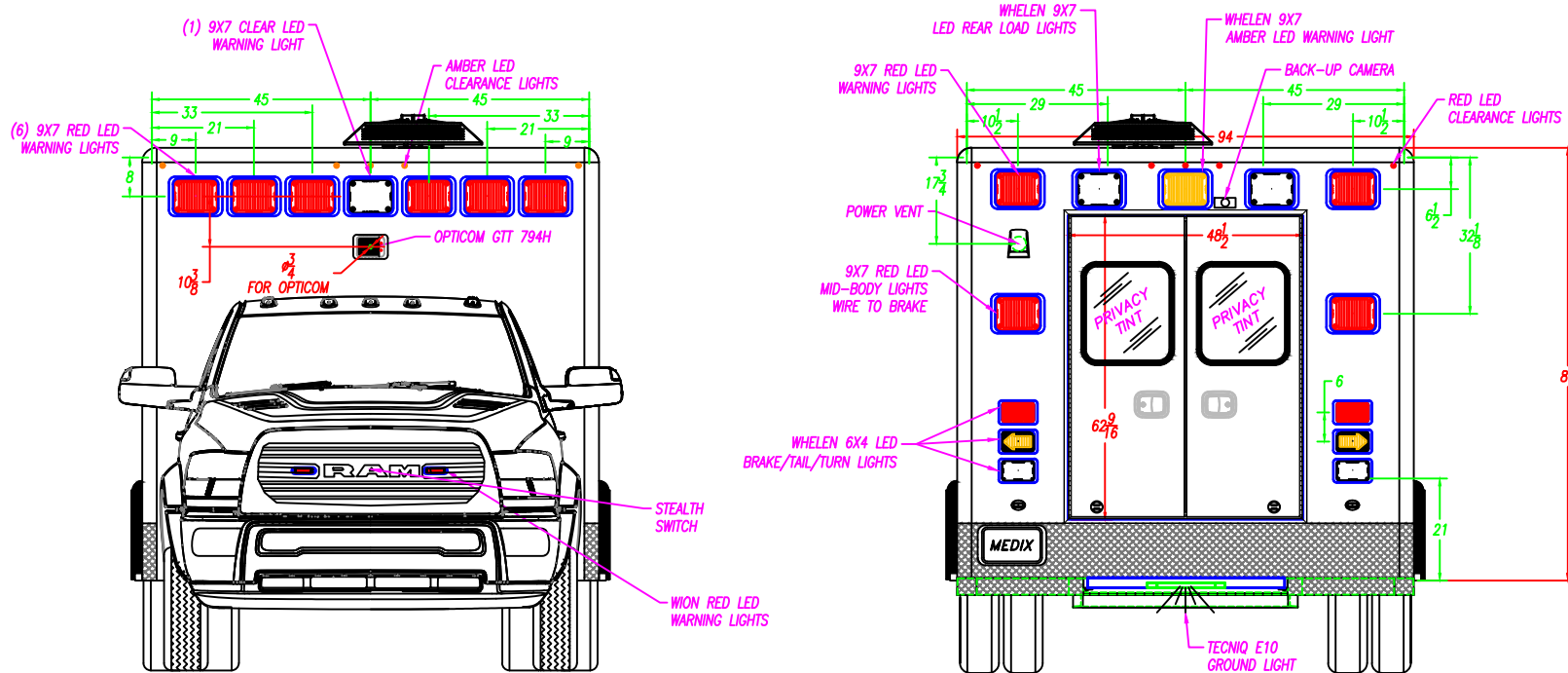
21-MH1347

Sheet

C

ALL COMPARTMENT/ENTRY DOORS TO HAVE POWER LOCKS  
WIRE TO OEM

ALL GREEN DIMENSIONS ARE TAKEN FROM EDGE OF WALL  
SURFACE PRIOR TO CORNER CAP BEING APPLIED



REAR ENTRY DOOR SIZES

NO.	WIDTH	HEIGHT	PART NUMBER
RE	50"	64 1/8"	71-116130

DODGE 4500 168" W.B.  
ME-153" TYPE I AMBULANCE

DESCRIPTION:		
FRONT & REAR EXTERIOR		
DRAWN BY: I. STANSBURY	DATE CREATED: 6/28/2021	SCALE: 5/16"=1'
REVISED BY: I. STANSBURY	DATE REVISED: 7/12/2021	REVISION: B

Note: Drawings are for reference only, measurements may vary from actual product.

**MEDIX** 3008 MOBILE DRIVE  
ELKHART, IN 46514  
PH: 574-266-0911  
SPECIALTY VEHICLES, INC. FAX: 574-266-6669  
"LET US SHOW YOU THE MEDIX DIFFERENCE"  
WWW.MEDIXAMBULANCE.COM

Dealer: REPUBLIC EVS

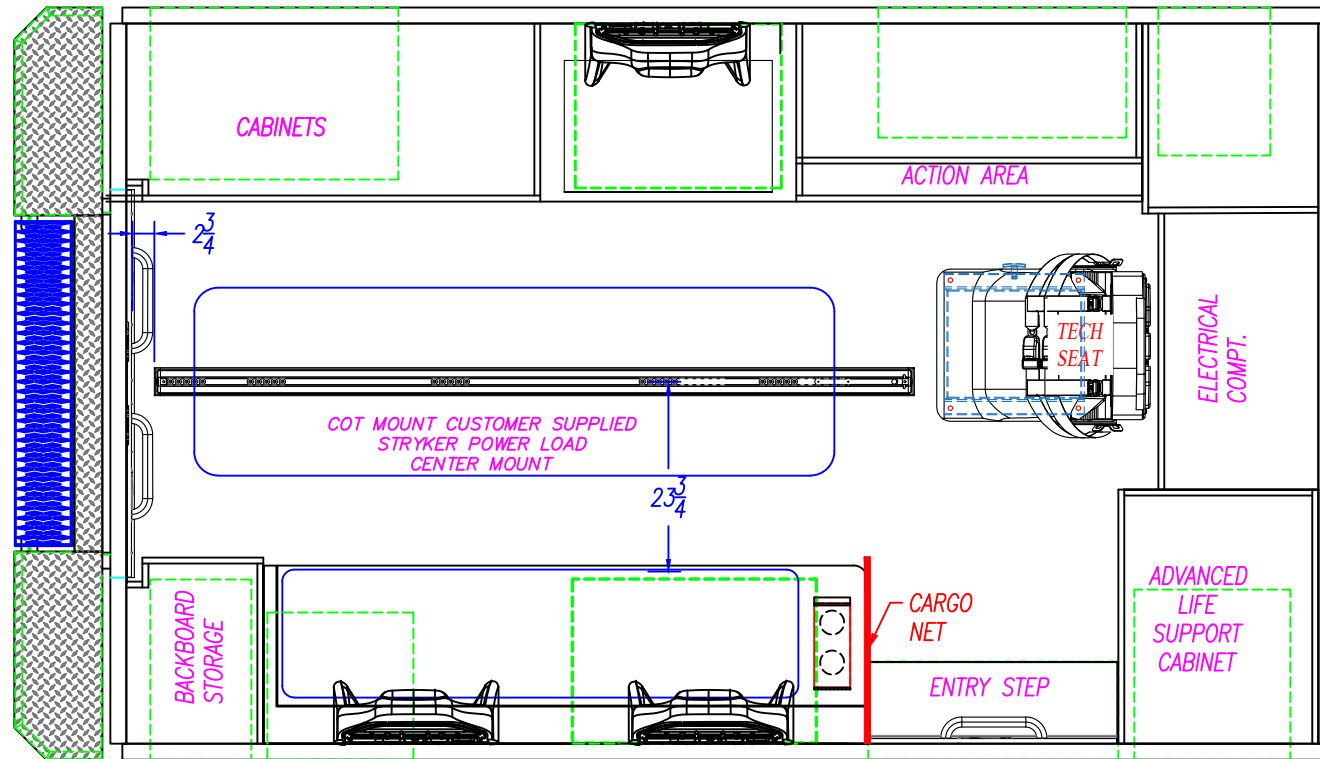
Approved By:

Date:

Customer: SAN LUIS

21-MH1347

Sheet  
**D**



DODGE 4500 168" W.B.  
ME-153" TYPE I AMBULANCE

PATIENT AREA PLAN

DESCRIPTION:		
DRAWN BY:	DATE CREATED:	SCALE:
I.STANSBURY	6/28/2021	1/2"=1'
REVISED BY:	DATE REVISED:	REVISION:
I.STANSBURY	7/12/2021	B

Note: Drawings are for reference only, measurements may vary from actual product.



**MEDIX** 3008 MOBILE DRIVE  
ELKHART, IN 46514  
PH: 574-266-0911  
SPECIALTY VEHICLES, INC. FAX: 574-266-6669  
"LET US SHOW YOU THE MEDIX DIFFERENCE"  
WWW.MEDIXAMBULANCE.COM

Dealer: REPUBLIC EVS

Approved By:

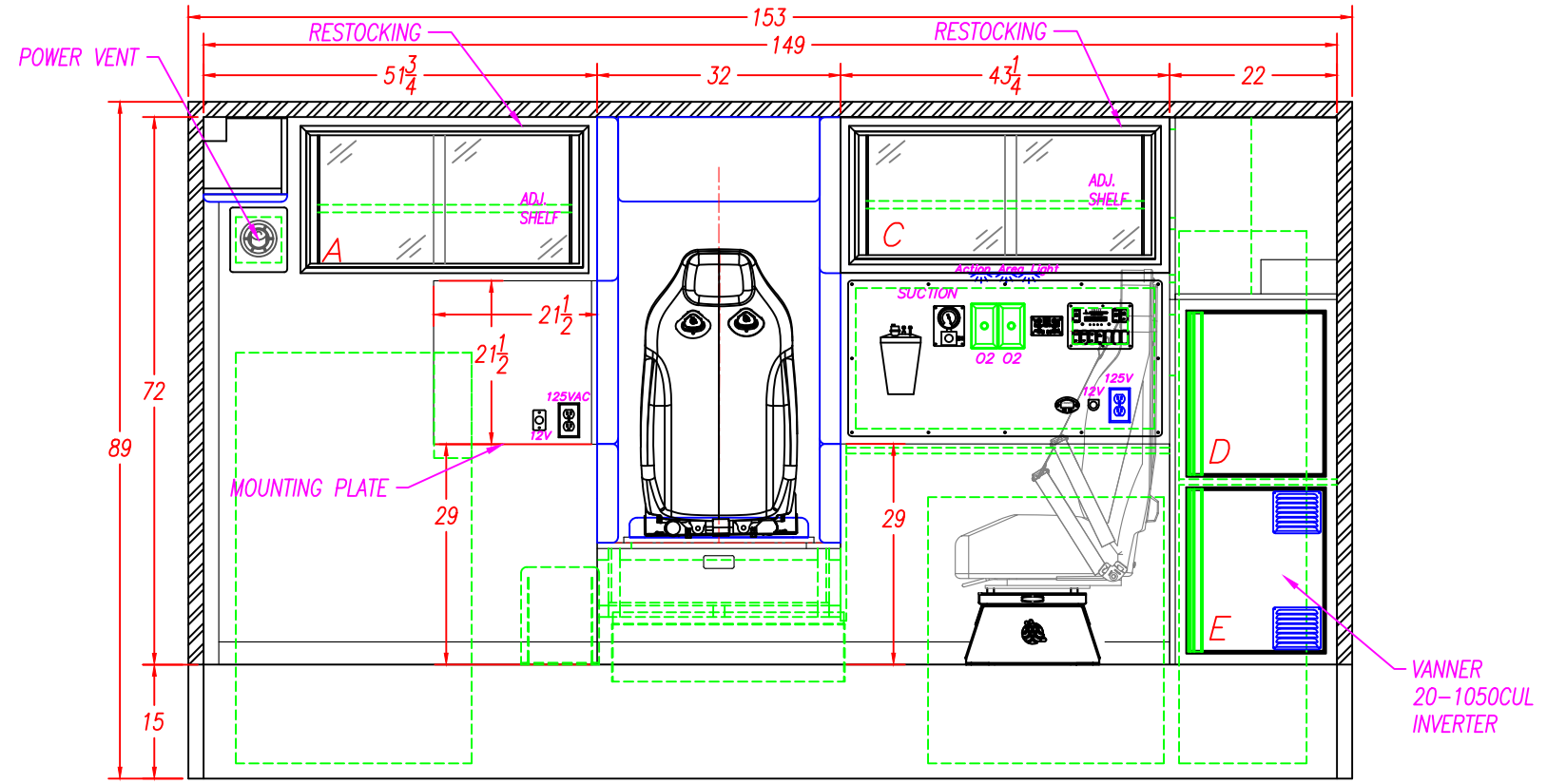
Date:

Customer: SAN LUIS

21-MH1347

Sheet  
**E**

NOTE: STAINLES COUNTERTOPS



INTERIOR CABINET STORAGE				
ITEM	HEIGHT	WIDTH	DEPTH	SPECIAL NOTE
A	16 3/4"	36"	18"	
C	16 3/4"	37 3/4"	15"	
D	23 1/2"	21"	17 1/4"	
E	23 1/2"	21"	17 1/4"	
F				

DODGE 4500 168" W.B. ME-153" TYPE I AMBULANCE		
STREET SIDE INTERIOR		
DESCRIPTION:	DATE CREATED:	SCALE:
DRAWN BY: I. STANSBURY	6/28/2021	1/2"=1'
REVISED BY:	DATE REVISED:	REVISION:
I. STANSBURY	7/12/2021	B
Note: Drawings are for reference only, measurements may vary from actual product.		

3008 MOBILE DRIVE  
ELKHART, IN 46514  
PH: 574-266-0911  
FAX: 574-266-6669

"LET US SHOW YOU THE MEDIX DIFFERENCE"  
WWW.MEDIXAMBULANCE.COM

Dealer: REPUBLIC EVS

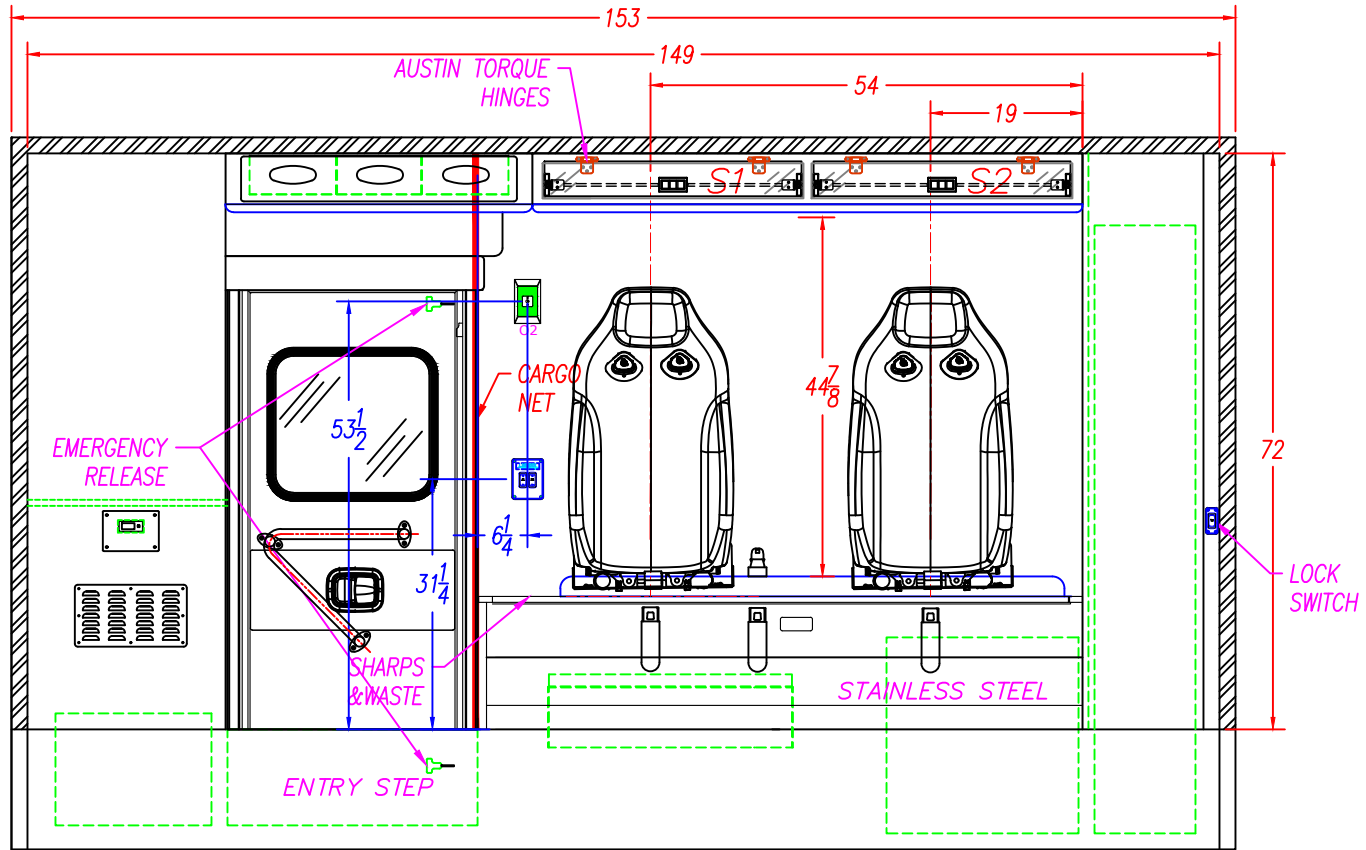
Approved By:

Date:

Customer: SAN LUIS

21-MH1347

Sheet  
**F**




### 4" SEATBELT PLATE LOCATION

<b>WELD SHOP</b>	33	<b>INCHES</b>	NOTE: THIS DIMENSION IS FROM THE BOTTOM OF THE WALL TO THE BOTTOM OF THE 4" PLATE.					
<b>CABINET SHOP</b>	NOTE: THE HOLES FOR THE TOP SEATBELT BOLTS ARE 1 1/4" FROM THE TOP OF THE SQUAD BENCH TO THE CENTER OF THE SEATBELT BOLT. NOTE: THE HOLES FOR THE BOTTOM SEATBELT BOLTS ON THE SQUAD BENCH ARE 9 3/8" FROM THE TOP OF THE FLOOR TO THE CENTER OF THE BOLT.							
NOTE: READ THE DIMENSIONS FROM RIGHT TO LEFT AS VIEWED	THE LOCATION OF THE BOTTOM SEATBELT HOLES ARE FROM THE REAR OF THE SQUAD BENCH TO THE CENTER OF THE 1/2" HOLE	<b>BOTTOM</b>				PREDRILLED	PREDRILLED	PREDRILLED
	THE LOCATION OF THE TOP SEATBELT HOLES ARE FROM THE REAR WALL TO THE CENTER OF THE 1/2" HOLE	<b>TOP</b>				54"	40 5/8"	19"

DODGE 4500 168" W.B.  
ME-153" TYPE I AMBULANCE

DESCRIPTION: CURB SIDE INTERIOR		
DRAWN BY: I. STANSBURY	DATE CREATED: 6/28/2021	SCALE: 1/2"=1'
REVISED BY: I. STANSBURY	DATE REVISED: 7/12/2021	REVISION: B
Note: Drawings are for reference only, measurements may vary from actual product.		



**MEDIX**  
SPECIALTY VEHICLES, INC.

3008 MOBILE DRIVE  
ELKHART, IN 46514  
PH: 574-266-0911  
FAX: 574-266-6669

"LET US SHOW YOU THE MEDIX DIFFERENCE"  
WWW.MEDIXAMBULANCE.COM

Dealer: REPUBLIC EVS

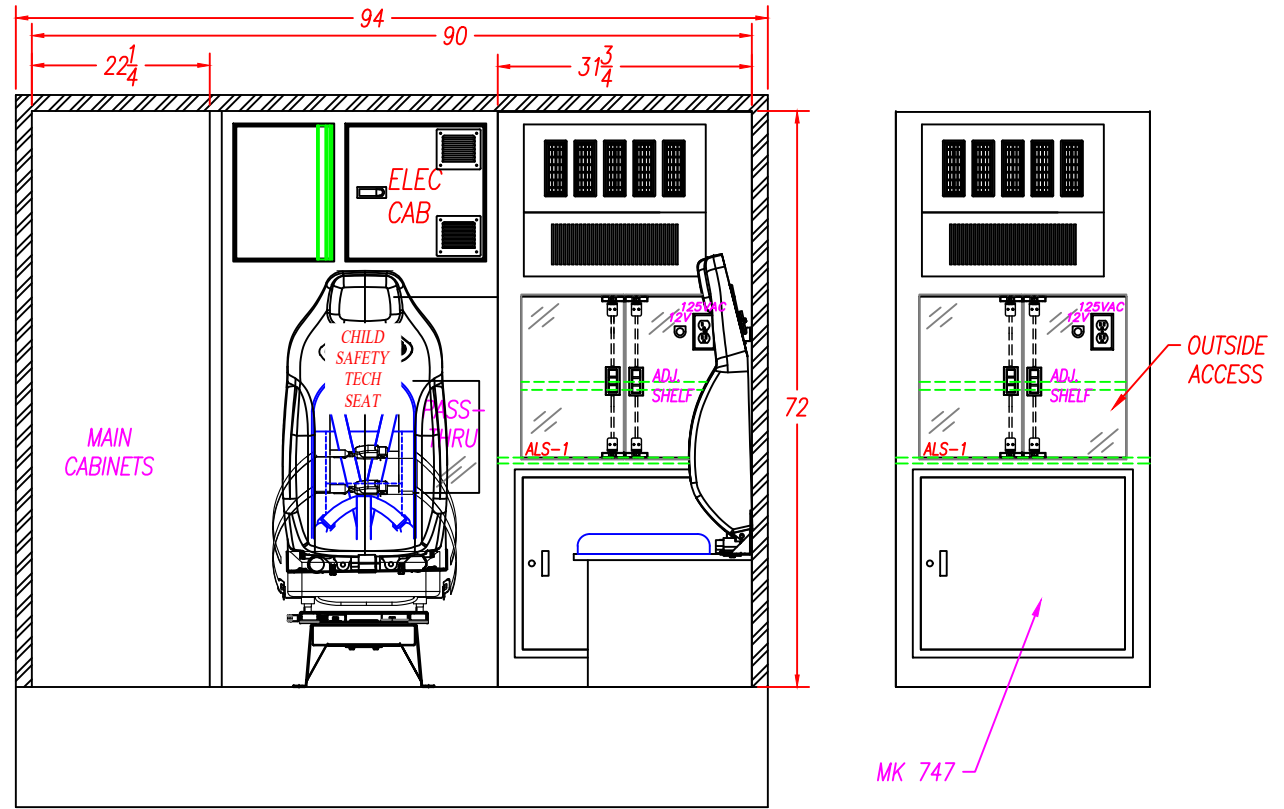
Approved By:

Date:

Customer: SAN LUIS

21-MH1347

Sheet  
**G**



INTERIOR CABINET STORAGE

ITEM	HEIGHT	WIDTH	DEPTH	SPECIAL NOTE
ALS-1	21 3/4"	25 1/2"	20 1/2"	

DODGE 4500 168" W.B.  
ME-153" TYPE I AMBULANCE

DESCRIPTION: FRONT ELEVATION		
DRAWN BY: I. STANSBURY	DATE CREATED: 6/28/2021	SCALE: 1/2"=1'
REVISED BY: I. STANSBURY	DATE REVISED: 7/12/2021	REVISION: B

Note: Drawings are for reference only, measurements may vary from actual product.



**MEDIX**  
SPECIALTY VEHICLES, INC.

3008 MOBILE DRIVE  
ELKHART, IN 46514  
PH: 574-266-0911  
FAX: 574-266-6669

"LET US SHOW YOU THE MEDIX DIFFERENCE"  
WWW.MEDIXAMBULANCE.COM

Dealer: REPUBLIC EVS

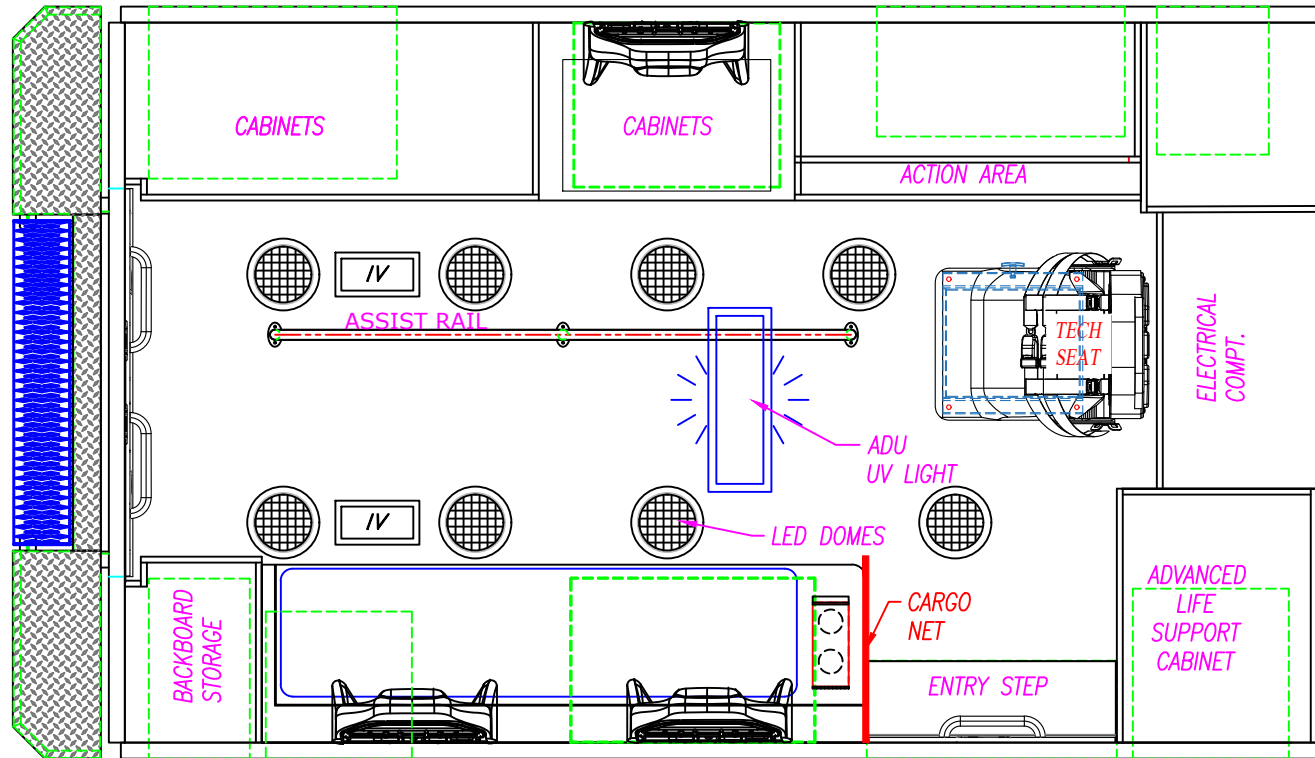
Approved By:

Date:

Customer: SAN LUIS

21-MH1347

Sheet  
**H**



DODGE 4500 168" W.B.  
ME-153" TYPE I AMBULANCE

CEILING LAYOUT

DESCRIPTION:	CEILING LAYOUT	
DRAWN BY:	DATE CREATED:	SCALE:
I.STANSBURY	6/28/2021	1/2"=1'
REVISED BY:	DATE REVISED:	REVISION:
I.STANSBURY	7/12/2021	B

Note: Drawings are for reference only, measurements may vary from actual product.



**MEDIX** 3008 MOBILE DRIVE  
ELKHART, IN 46514  
PH: 574-266-0911  
SPECIALTY VEHICLES, INC. FAX: 574-266-6669  
"LET US SHOW YOU THE MEDIX DIFFERENCE"  
WWW.MEDIXAMBULANCE.COM

Dealer: REPUBLIC EVS

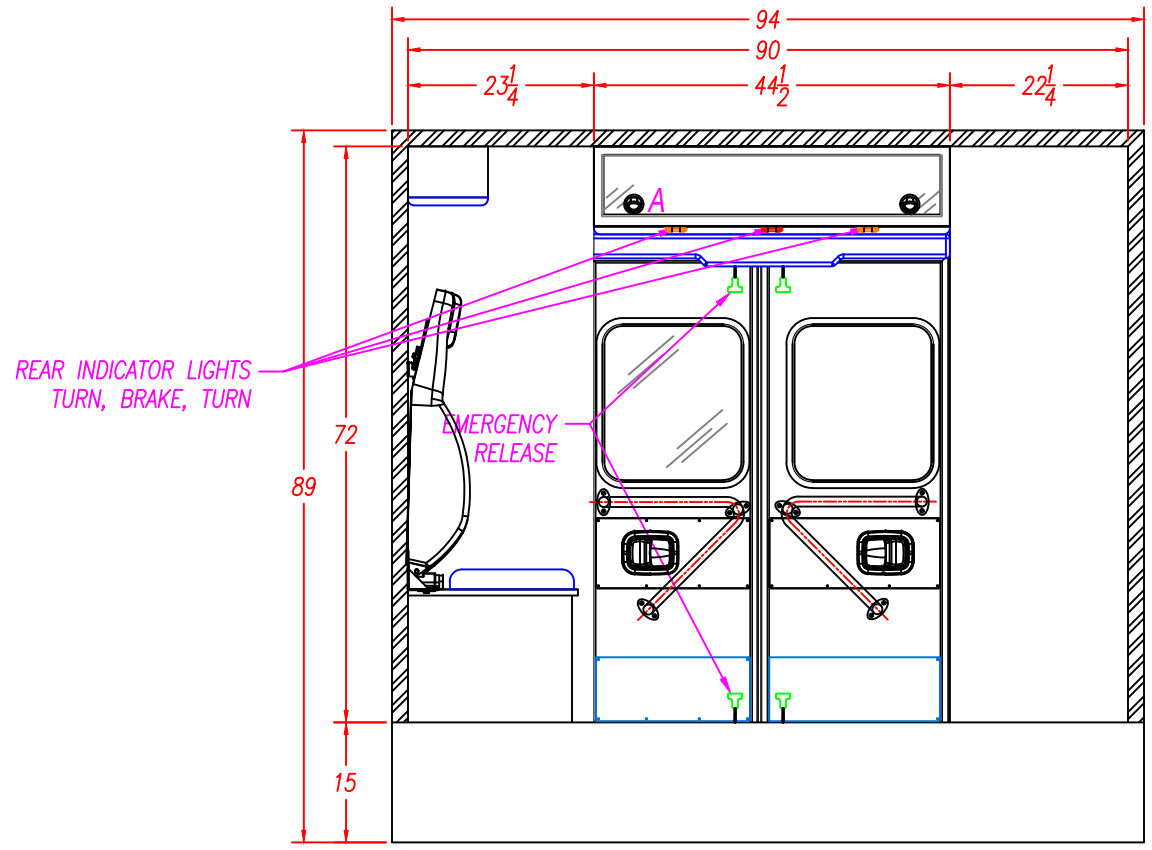
Approved By:

Date:

Customer: SAN LUIS

21-MH1347

Sheet



INTERIOR CABINET STORAGE

ITEM	HEIGHT	WIDTH	DEPTH	SPECIAL NOTE
A	6 1/4"	40 3/4"	7"	

DODGE 4500 168" W.B.  
ME-153" TYPE I AMBULANCE

REAR ELEVATION

DRAWN BY: I. STANSBURY			DATE CREATED: 6/28/2021			SCALE: 1/2"=1'		
REVISED BY: I. STANSBURY			DATE REVISED: 7/12/2021			REVISION: B		

Note: Drawings are for reference only, measurements may vary from actual product.



**MEDIX** 3008 MOBILE DRIVE  
ELKHART, IN 46514  
PH: 574-266-0911  
SPECIALTY VEHICLES, INC. FAX: 574-266-6669

"LET US SHOW YOU THE MEDIX DIFFERENCE"  
WWW.MEDIXAMBULANCE.COM