



SALES AGREEMENT

PLEASE ENTER MY ORDER FOR THE FOLLOWING:

Schertz EMS

New

YEAR 2022 MAKE/MODEL Ford F-450 4x2 COLOR White

TO BE DELIVERED ON/ABOUT

VIN Not Available

VEHICLE DESCRIPTION	
Medix MSV II 170	\$ 248,312.00
Shipping	\$ 2,900.00
Graphics	\$ 8,000.00
Delivery Kennedale/Schertz	\$ 500.00
Total Ambulance	\$ 259,712.00
Total	\$ 259,712.00
Tax	
Vehicle Inventory Tax	\$ 573.50
TITLE APPLICATION FEE:	\$ 125.00
REGISTRATION:	
STATE INSPECTION:	\$ 7.00
TOTAL X2	\$ 260,417.50
DOWN PAYMENT/TRADE IN	
HGAC	\$ 1,000.00
BALANCE DUE X2	\$ 261,417.12

DATE: 06/27/2022

Provider Schertz EMS

ADDRESS: 1400 Schertz Parkway #7

CITY/STATE/ZIP: Schertz, TX

CONTACT: Jason M Mabbitt

PHONE:

FAX:

Email : jmabbitt@schertz.com

TRADE IN INFORMATION: N/A

MAKE

YEAR:

MODEL:

BODY STYLE:

MILEAGE:

VIN#

Trade In

The front of this order comprises the entire agreement affecting this purchase and no other agreement or understanding of any other nature has been made or entered into, or will be recognized. I have read the matter printed and agree to it as part of this

order the same as if it were printed above my signature

I certify that I am 18 years or older and hereby

acknowledge receipt of a copy of this order.

Southwest Ambulance Sales hereby expressly disclaims

all warranties either express or implied, including any

implied warranty or merchantability or fitness for a

particular purpose and Southwest Ambulance Sales

neither assumes nor authorizes any other person to

assume to it any liability in connection with the sale

of the vehicle.

PURCHASER _____

SALESMAN _____

Dealer: SWAS

Approved By:

Date:

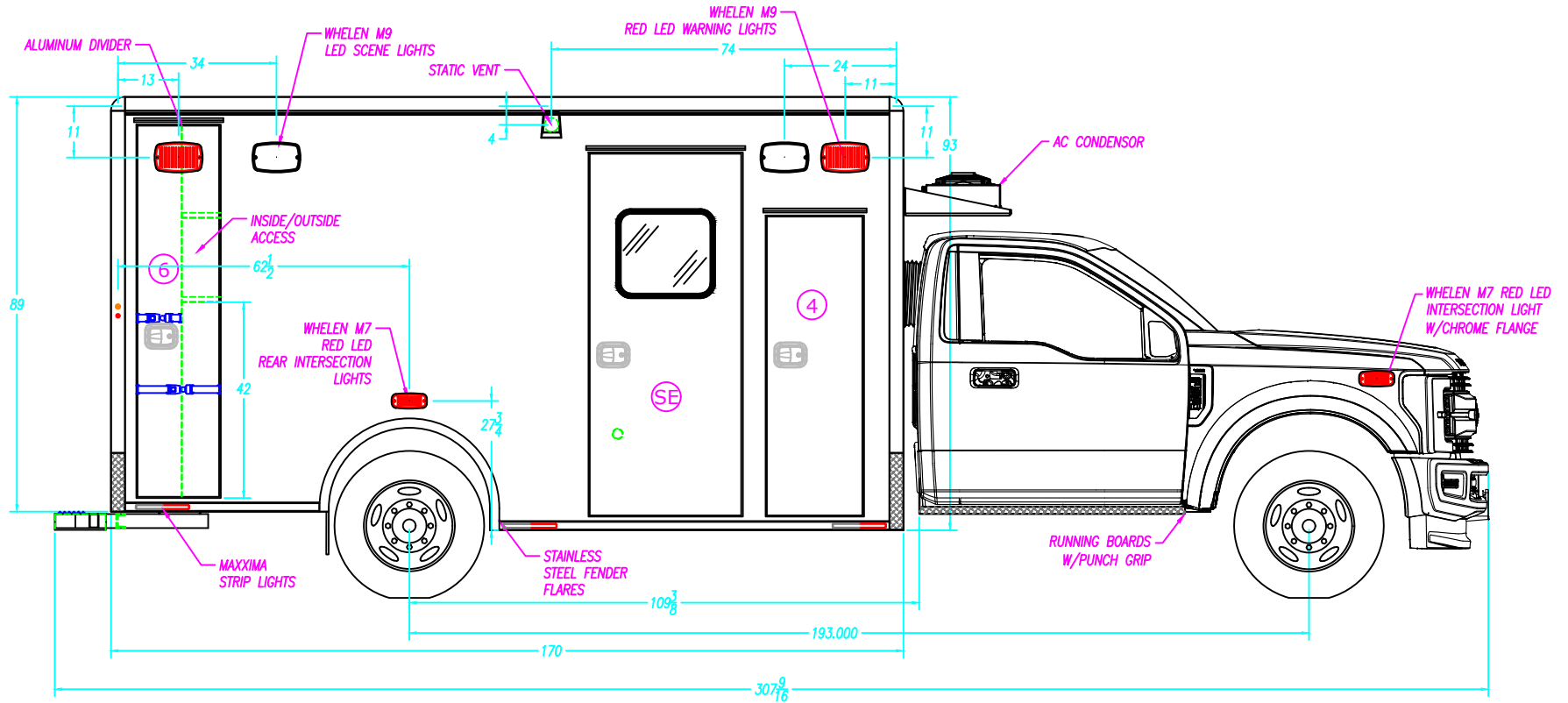
Customer:

CITY OF PHARR

21-M1209-10

Sheet
A

ALL WARNING, SCENE, AND TAIL LIGHTS TO HAVE CHROME BEZELS.
ALL COMPARTMENT/ENTRY DOORS TO HAVE POWER LOCKS
WIRE TO OEM



COMPARTMENT SIZES

NOTE: THE DIMENSIONS BELOW ARE INSIDE TUB DIMENSIONS

NO.	COMPARTMENT TYPE	WIDTH	HEIGHT	DEPTH
4	ALS COMPARTMENT	---	---	---
5	BATTERY COMPARTMENT	20 1/2"	18 1/2"	23 7/8"
6	BACK BOARD COMPARTMENT	20"	79 1/2"	22"
-	-	-	-	-

COMPARTMENT & ENTRY DOORS

NO.	PART NUMBER	NO.	PART NUMBER
4	33-A11398	6	33-A10784
SE	78-116138	-	-
-	---	-	---

COMPARTMENT TUBS

NO.	PART NUMBER	NO.	PART NUMBER
4	33-102298	-	---
SE	33-102648	-	---
6	33-103025	-	---

COMPARTMENT / ENTRY DOOR SIZES

NO.	COMPARTMENT / ENTRY DOOR TYPE	WIDTH	HEIGHT
4	ALS DOOR	20 1/2"	64 1/16"
5	BATTERY STORAGE DOOR	---	---
SE	SIDE ENTRY DOOR	32 1/2"	77 3/16"
6	BACK BOARD STORAGE DOOR	17 1/2"	79 3/16"
-	-	-	-

M2 170" TYPE I
FORD F-450/550-DIESEL-193" W.B.

DESCRIPTION: CURB SIDE EXTERIOR

DRAWN BY: I.STANSBURY	DATE CREATED: 2/1/2022	SCALE: 5/16"=1'
REVISED BY: I.STANSBURY	DATE REVISED: 4/11/2022	REVISION: A

Note: Drawings are for reference only, measurements may vary from actual product.

MEDIX 3008 MOBILE DRIVE
ELKHART, IN 46514
PH: 574-266-0911
SPECIALTY VEHICLES, INC. FAX: 574-266-6669
"LET US SHOW YOU THE MEDIX DIFFERENCE"
WWW.MEDIXAMBULANCE.COM

Dealer: SWAS

Approved By:

Date:

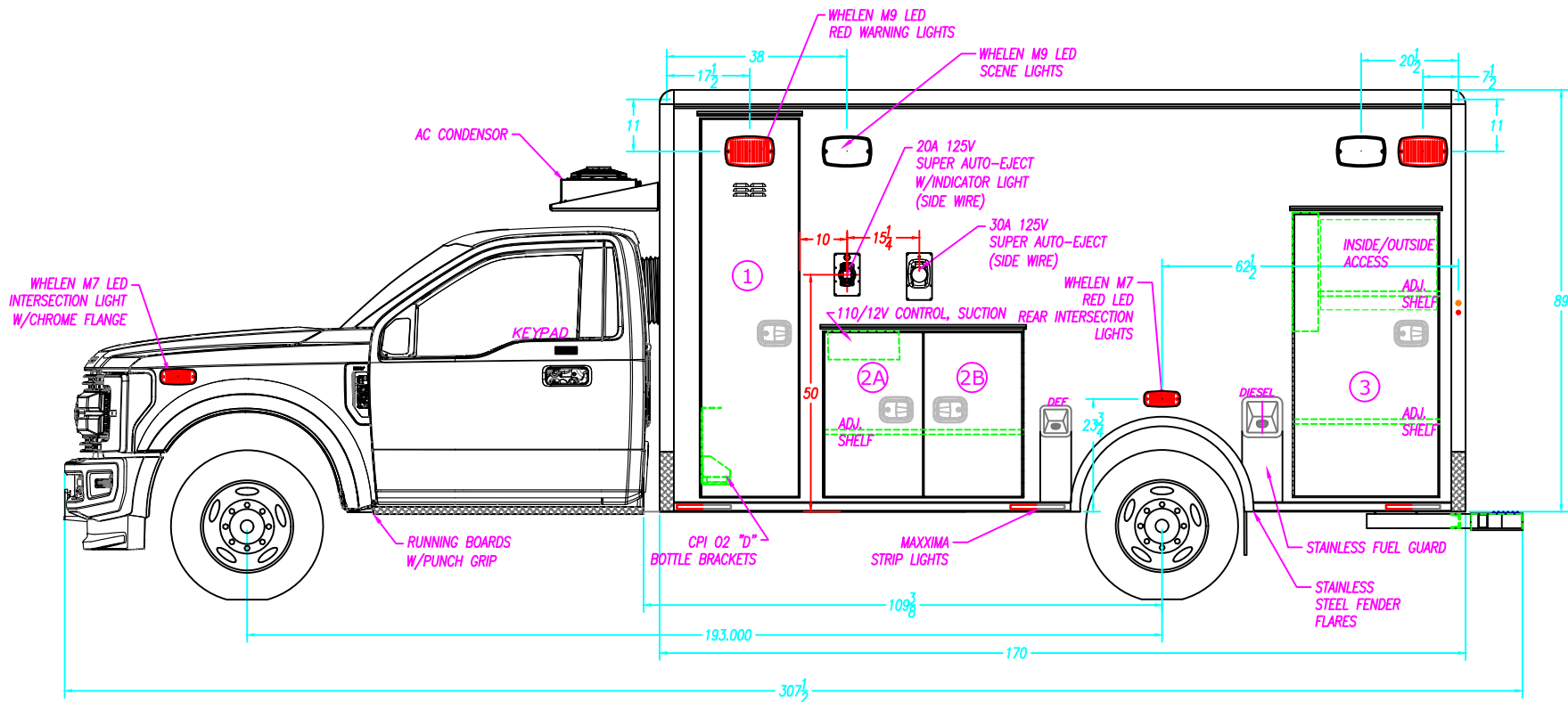
Customer:

CITY OF PHARR

21-M1209-10

Sheet
B

ALL WARNING, SCENE, AND TAIL LIGHTS TO HAVE CHROME BEZELS.
ALL COMPARTMENT/ENTRY DOORS TO HAVE POWER LOCKS
WIRE TO OEM



COMPARTMENT SIZES

NOTE: THE DIMENSIONS BELOW ARE INSIDE TUB DIMENSIONS

NO.	COMPARTMENT TYPE	WIDTH	HEIGHT	DEPTH
1	O2 COMPARTMENT	20 1/2"	79 1/2"	18 1/2"
2	MID STORAGE COMPARTMENT	41 3/4"	34 1/2"	18 1/2"
3	REAR STORAGE COMPARTMENT	34"	59 1/2"	19 1/4"
---	---	---	---	---

COMPARTMENT & ENTRY DOORS

NO.	PART NUMBER	NO.	PARTNUMBER
1	33-A10780	3	33-A11397
2	33-A10781		

COMPARTMENT TUBS

NO.	PART NUMBER	NO.	PARTNUMBER
1	33-100689	-	---
2	33-103079	-	---
3	33-105141	-	---

COMPARTMENT / ENTRY DOOR SIZES

NO.	COMPARTMENT / ENTRY DOOR TYPE	WIDTH	HEIGHT
1	O2 STORAGE DOOR	20 1/2"	79 3/8"
2A	MID STORAGE DOOR-A	20 1/8"	34 3/8"
2B	MID STORAGE DOOR-B	20 1/8"	34 3/8"
3	REAR STORAGE DOOR	32 1/2"	59 3/8"

M2 170" TYPE I
FORD F-450/550-DIESEL-193" W.B.

DESCRIPTION: STREET SIDE EXTERIOR

DRAWN BY: I.STANSBURY	DATE CREATED: 2/1/2022	SCALE: 5/16"=1'
REVISED BY: I.STANSBURY	DATE REVISED: 4/11/2022	REVISION: A

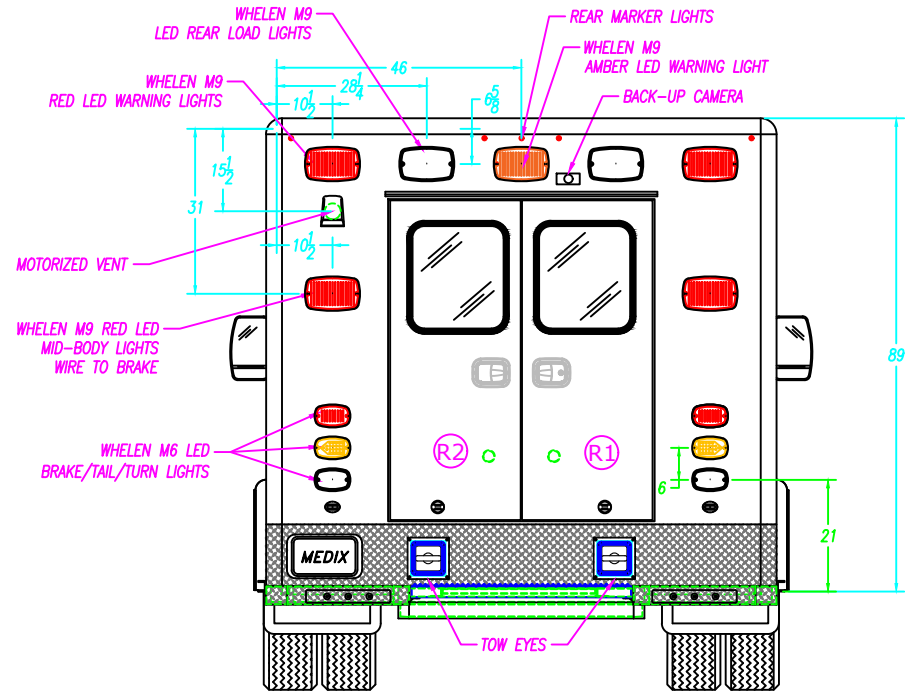
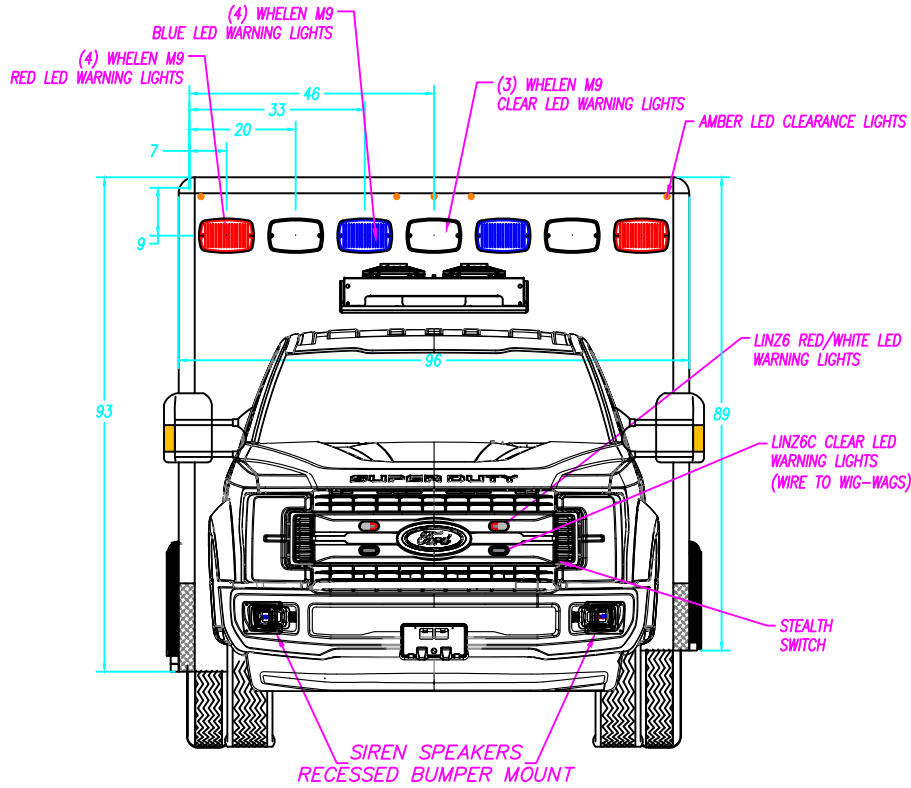
Note: Drawings are for reference only, measurements may vary from actual product.

MEDIX
SPECIALTY VEHICLES, INC.

3008 MOBILE DRIVE
ELKHART, IN 46514
PH: 574-266-0911
FAX: 574-266-6669

"LET US SHOW YOU THE MEDIX DIFFERENCE"
WWW.MEDIXAMBULANCE.COM

ALL WARNING, SCENE, AND TAIL LIGHTS TO HAVE CHROME BEZELS.
ALL COMPARTMENT/ENTRY DOORS TO HAVE POWER LOCKS
WIRE TO OEM



REAR ENTRY DOOR SIZES

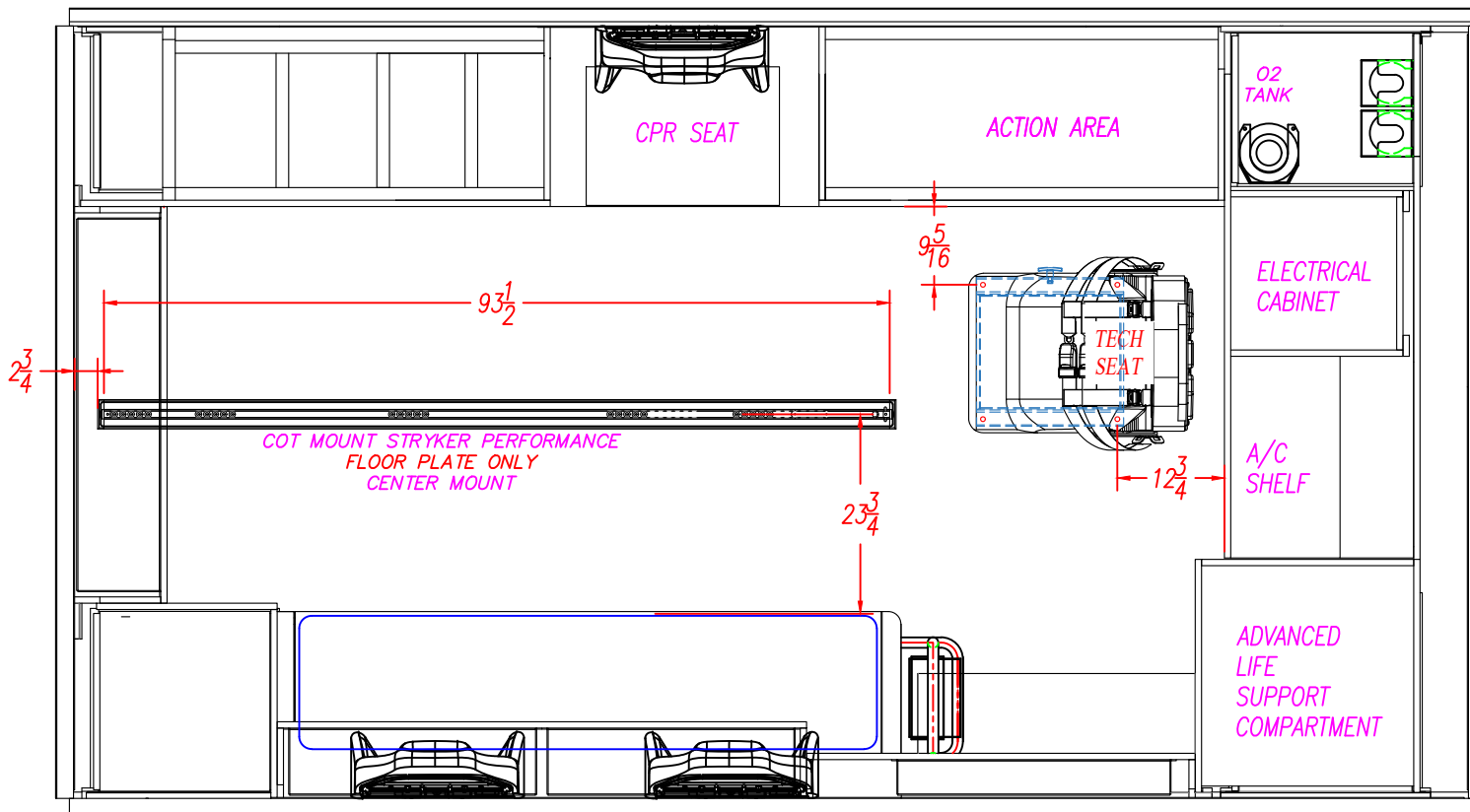
NO.	WIDTH	HEIGHT	PART NUMBER
RE	54"	64 1/2"	78-116135

M2 170" TYPE I FORD F-450/550-DIESEL-193" W.B.		
DESCRIPTION: FRONT & REAR EXTERIOR		
DRAWN BY: I.STANSBURY	DATE CREATED: 2/1/2022	SCALE: 5/16"=1'
REVISED BY: I.STANSBURY	DATE REVISED: 4/11/2022	REVISION: A
Note: Drawings are for reference only, measurements may vary from actual product.		

MEDIX
SPECIALTY VEHICLES, INC.

3008 MOBILE DRIVE
ELKHART, IN 46514
PH: 574-266-0911
FAX: 574-266-6669

"LET US SHOW YOU THE MEDIX DIFFERENCE"
WWW.MEDIXAMBULANCE.COM



M2 170" TYPE I
 FORD F-450/550-DIESEL-193" W.B.

DESCRIPTION: PATIENT AREA PLAN

DRAWN BY: I.STANSBURY	DATE CREATED: 2/1/2022	SCALE: 1/2"=1'
REVISED BY: I.STANSBURY	DATE REVISED: 4/11/2022	REVISION: A

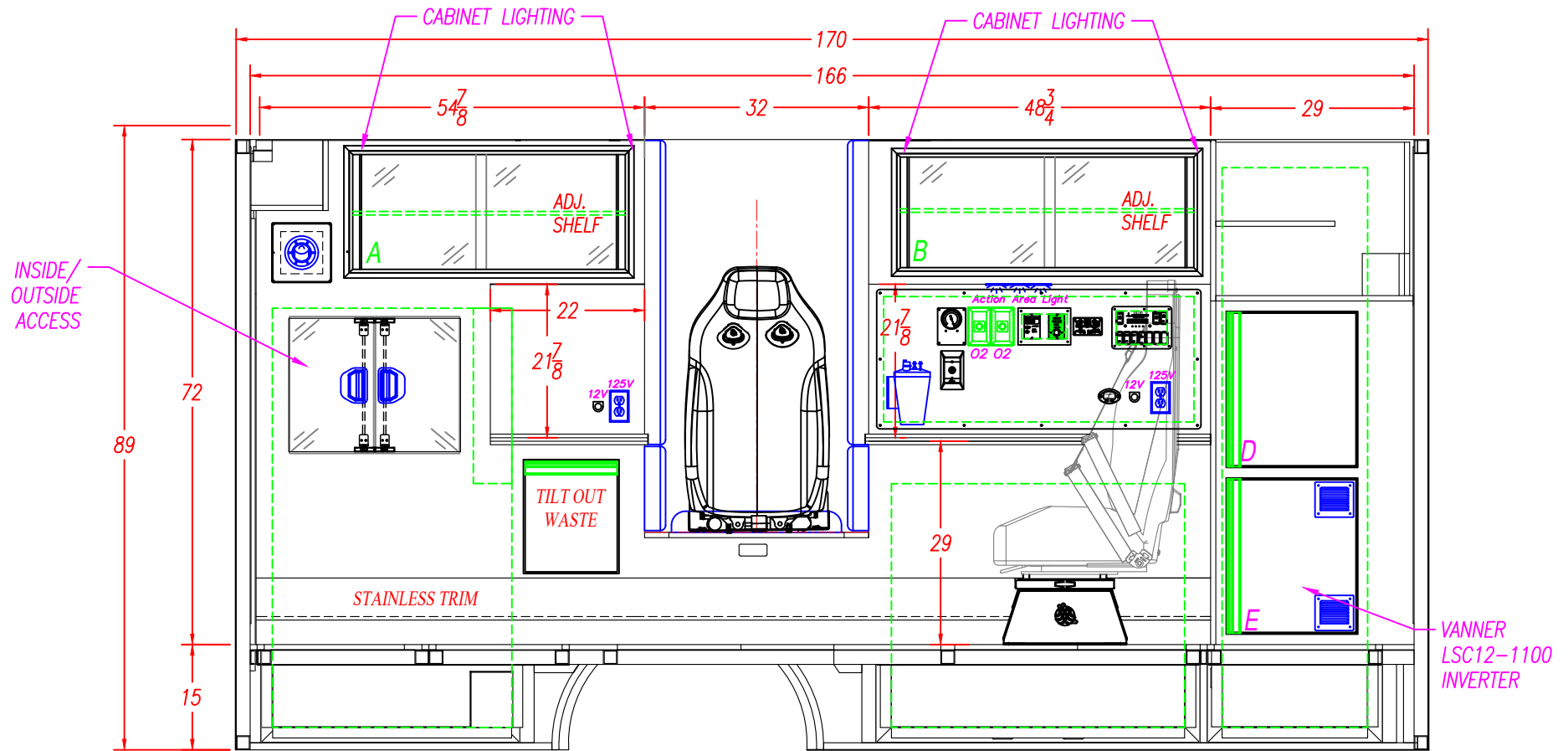
Note: Drawings are for reference only, measurements may vary from actual product.



3008 MOBILE DRIVE
 ELKHART, IN 46514
 PH: 574-266-0911
 FAX: 574-266-6669

"LET US SHOW YOU THE MEDIX DIFFERENCE"
 WWW.MEDIXAMBULANCE.COM

CORIAN COUNTERTOPS IN 1ST & 2ND ACTION AREA.



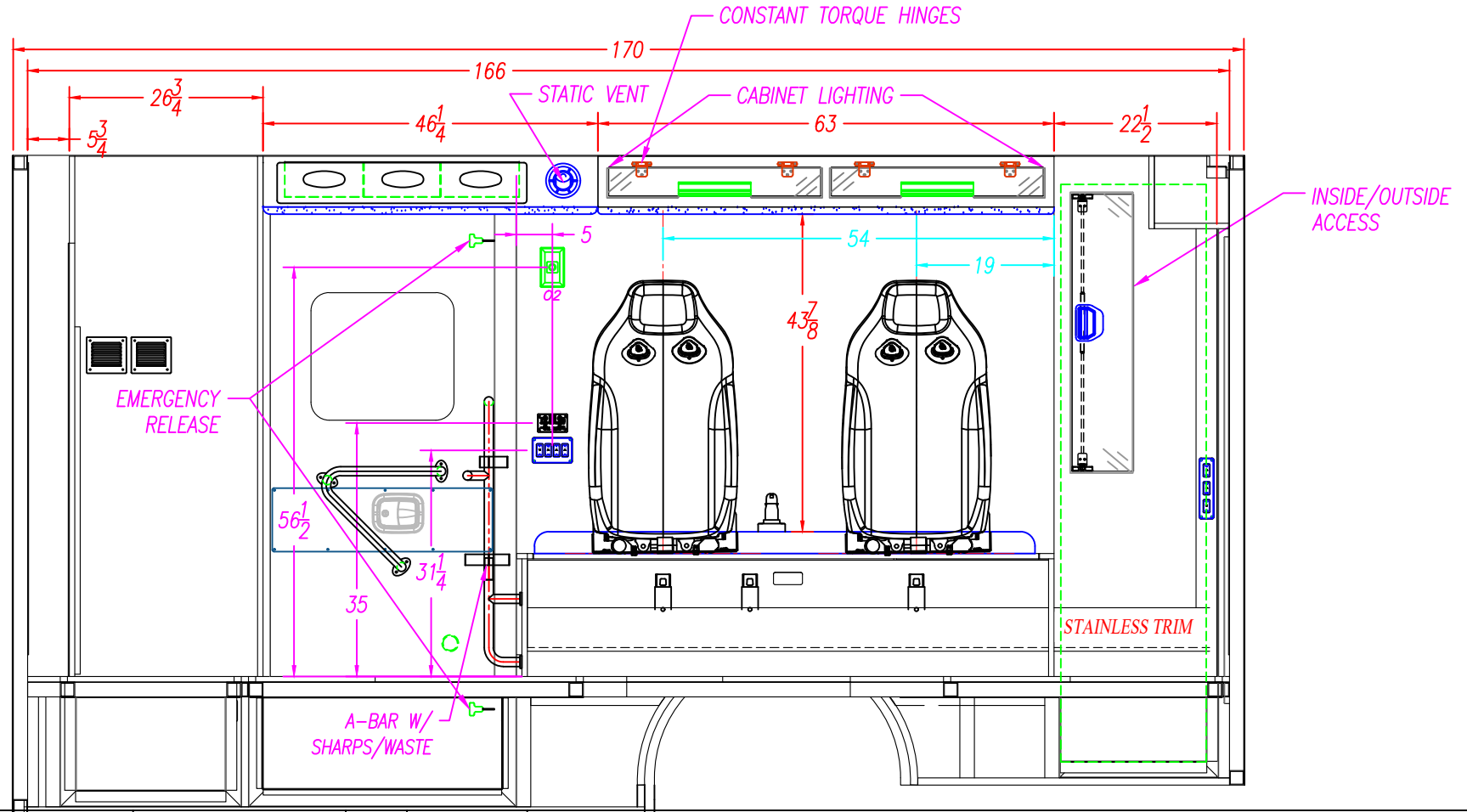
INTERIOR CABINET STORAGE

ITEM	HEIGHT	WIDTH	DEPTH	PART #'S
A	19 1/2"	38 3/4"	18"	43-A10697
B	16 3/4"	44 1/8"	18"	43-A10698
C	-	-	-	-
D	23 1/2"	21 3/4"	17 1/4"	-
E	23 1/2"	21 3/4"	17 1/4"	-
F	-	-	-	-

M2 170" TYPE I		
FORD F-450/550-DIESEL-193" W.B.		
DESCRIPTION: STREET SIDE INTERIOR		
DRAWN BY: I.STANSBURY	DATE CREATED: 2/1/2022	SCALE: 1/2"=1'
REVISED BY: I.STANSBURY	DATE REVISED: 4/11/2022	REVISION: A
Note: Drawings are for reference only, measurements may vary from actual product.		

MEDIX 3008 MOBILE DRIVE
ELKHART, IN 46514
PH: 574-266-0911
SPECIALTY VEHICLES, INC. FAX: 574-266-6669

"LET US SHOW YOU THE MEDIX DIFFERENCE"
WWW.MEDIXAMBULANCE.COM



4" SEATBELT PLATE LOCATION

WELD SHOP	33	INCHES	NOTE: THIS DIMENSION IS FROM THE BOTTOM OF THE WALL TO THE BOTTOM OF THE 4" PLATE.			
CABINET SHOP	NOTE: THE HOLES FOR THE TOP SEATBELT BOLTS ARE 1 1/4" FROM THE TOP OF THE SQUAD BENCH TO THE CENTER OF THE SEATBELT BOLT. NOTE: THE HOLES FOR THE BOTTOM SEATBELT BOLTS ON THE SQUAD BENCH ARE 9 3/8" FROM THE TOP OF THE FLOOR TO THE CENTER OF THE BOLT.					
NOTE: READ THE DIMENSIONS FROM RIGHT TO LEFT AS VIEWED	THE LOCATION OF THE BOTTOM SEATBELT HOLES ARE FROM THE REAR OF THE SQUAD BENCH TO THE CENTER OF THE 1/2" HOLE	BOTTOM	54"	42"	19"	
	THE LOCATION OF THE TOP SEATBELT HOLES ARE FROM THE REAR WALL TO THE CENTER OF THE 1/2" HOLE	TOP	54"	39"	19"	

INTERIOR CABINET STORAGE				
ITEM	HEIGHT	WIDTH	DEPTH	SPECIAL NOTE
A	4"	26 1/4"	7"	
B				
C				
D				
E				
F				

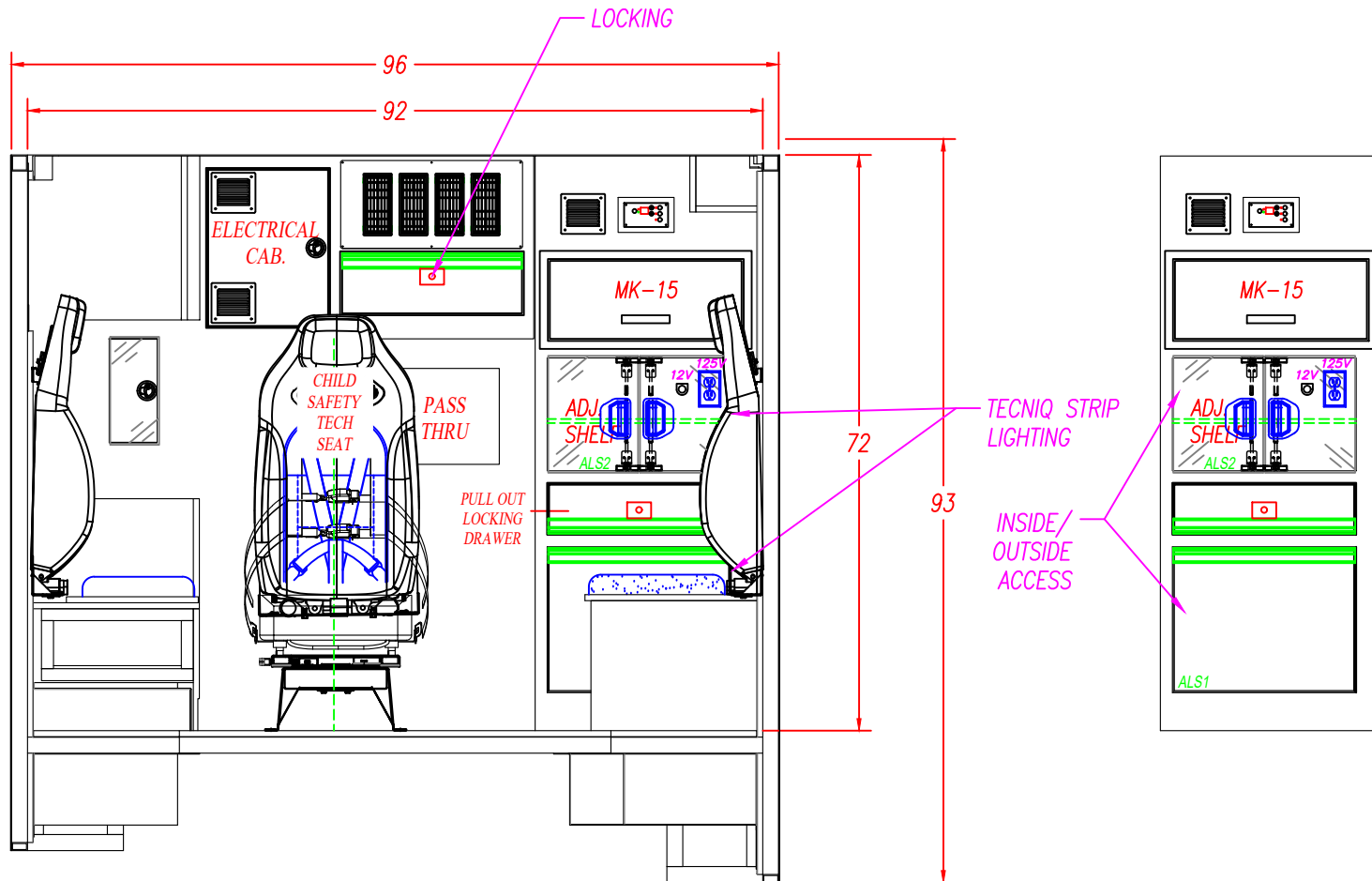
M2 170" TYPE I FORD F-450/550-DIESEL-193" W.B.		
DESCRIPTION: CURB SIDE INTERIOR		
DRAWN BY: I.STANSBURY	DATE CREATED: 2/1/2022	SCALE: 1/2"=1'
REVISED BY: I.STANSBURY	DATE REVISED: 4/11/2022	REVISION: A
Note: Drawings are for reference only, measurements may vary from actual product.		



MEDIX
SPECIALTY VEHICLES, INC.

3008 MOBILE DRIVE
ELKHART, IN 46514
PH: 574-266-0911
FAX: 574-266-6669

"LET US SHOW YOU THE MEDIX DIFFERENCE"
WWW.MEDIXAMBULANCE.COM



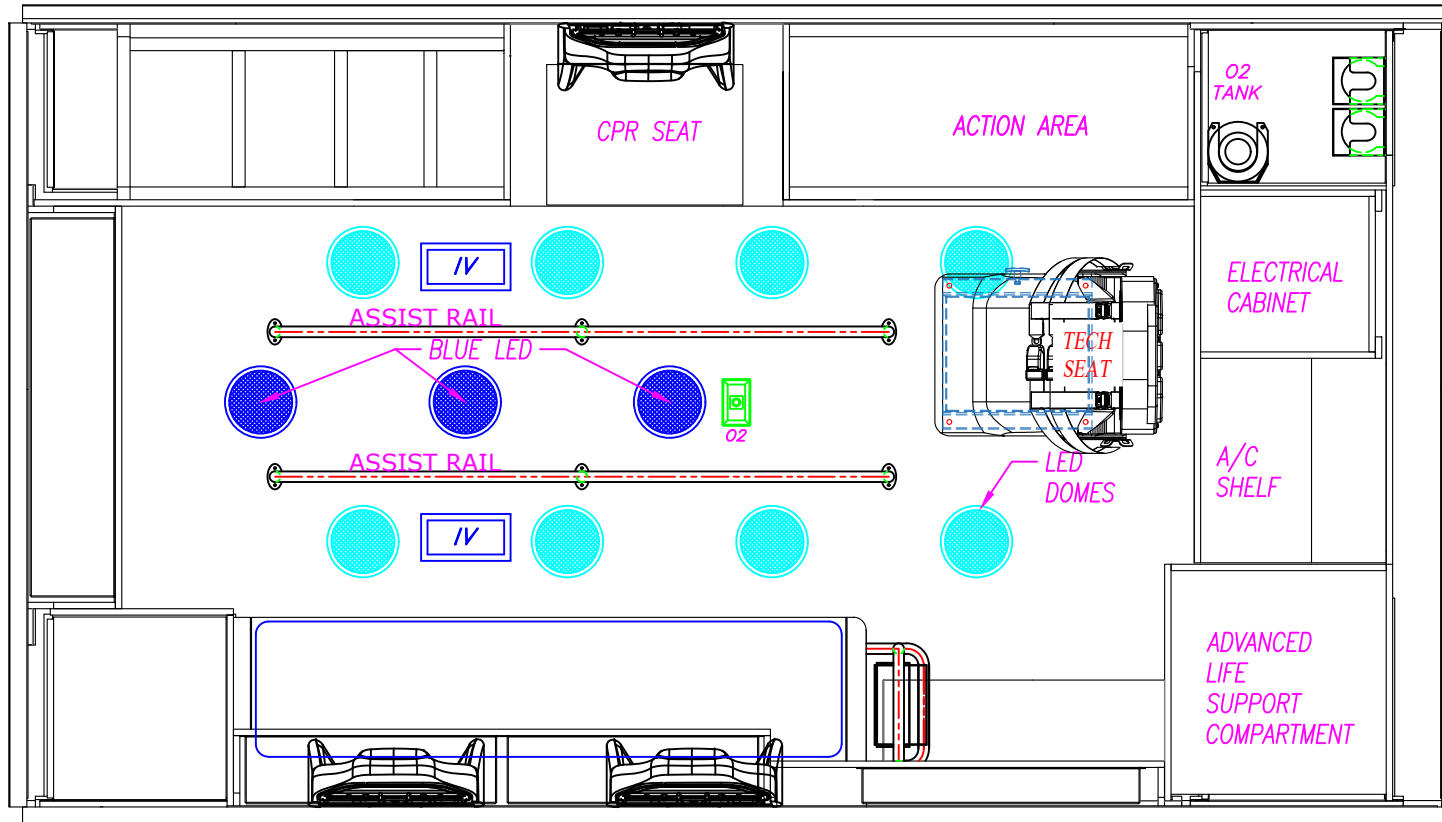
INTERIOR CABINET STORAGE

ITEM	HEIGHT	WIDTH	DEPTH	SPECIAL NOTE
ALS1	18 1/4"	23"	25 1/4"	
ALS2	14 1/8"	23"	25 1/4"	

M2 170" TYPE I FORD F-450/550-DIESEL-193" W.B.		
DESCRIPTION: FRONT ELEVATION		
DRAWN BY: I. STANSBURY	DATE CREATED: 2/1/2022	SCALE: 1/2"=1'
REVISED BY: I. STANSBURY	DATE REVISED: 4/11/2022	REVISION: A
Note: Drawings are for reference only, measurements may vary from actual product.		

3008 MOBILE DRIVE
ELKHART, IN 46514
PH: 574-266-0911
FAX: 574-266-6669

"LET US SHOW YOU THE MEDIX DIFFERENCE"
WWW.MEDIXAMBULANCE.COM



M2 170" TYPE I
 FORD F-450/550-DIESEL-193" W.B.

DESCRIPTION:
 CEILING LAYOUT

DRAWN BY: I.STANSBURY	DATE CREATED: 2/1/2022	SCALE: 1/2"=1'
REVISED BY: I.STANSBURY	DATE REVISED: 4/11/2022	REVISION: A

Note: Drawings are for reference only, measurements may vary from actual product.



3008 MOBILE DRIVE
 ELKHART, IN 46514
 PH: 574-266-0911
 FAX: 574-266-6669

"LET US SHOW YOU THE MEDIX DIFFERENCE"
 WWW.MEDIXAMBULANCE.COM

Dealer: SWAS

Approved By:

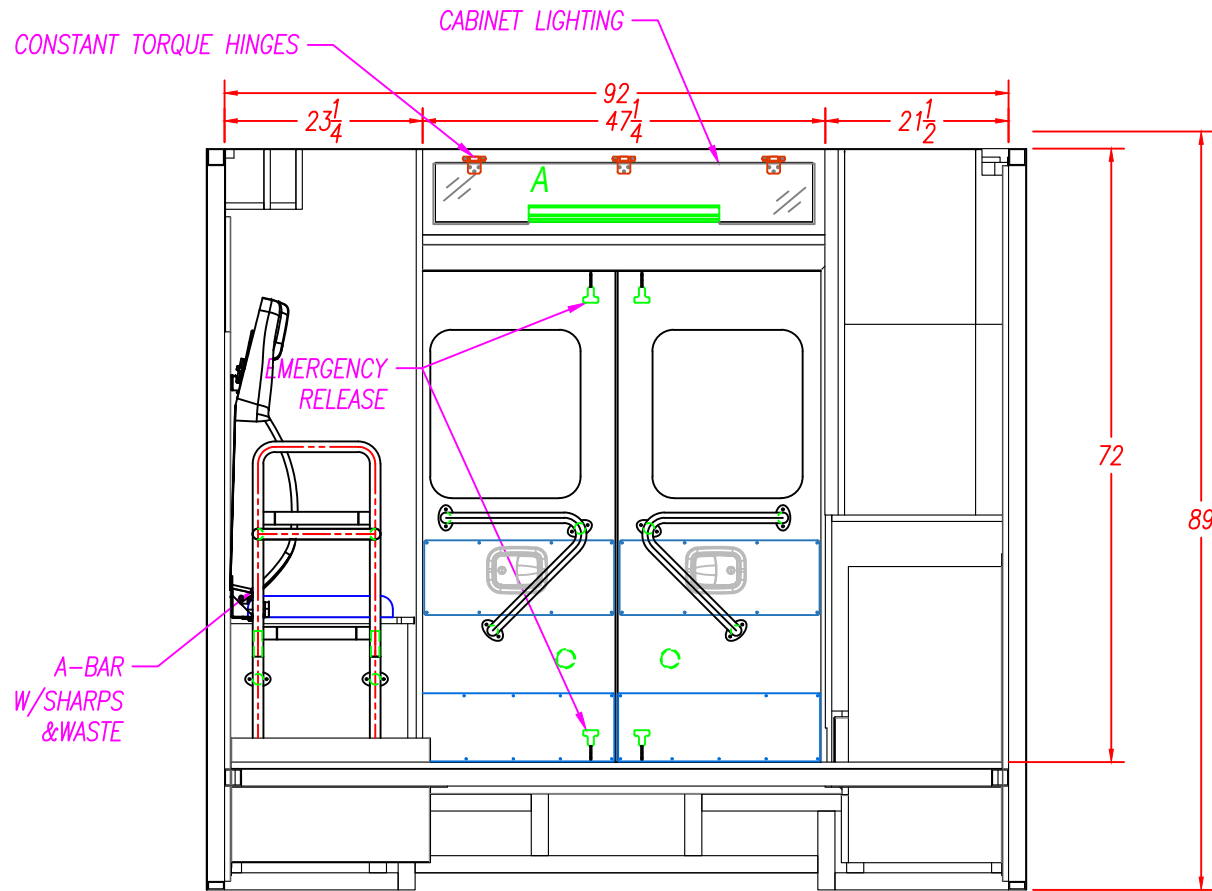
Date:

Customer:

CITY OF PHARR

21-M1209-10


Sheet



INTERIOR CABINET STORAGE

ITEM	HEIGHT	WIDTH	DEPTH	SPECIAL NOTE
A	7"	44 1/4"	9"	
B				
C				
D				
E				
F				

M2 170" TYPE I FORD F-450/550-DIESEL-193" W.B.		
DESCRIPTION: REAR ELEVATION		
DRAWN BY: I. STANSBURY	DATE CREATED: 2/1/2022	SCALE: 1/2"=1'
REVISED BY: I. STANSBURY	DATE REVISED: 4/11/2022	REVISION: A
Note: Drawings are for reference only, measurements may vary from actual product.		



MEDIX
SPECIALTY VEHICLES, INC.

3008 MOBILE DRIVE
ELKHART, IN 46514
PH: 574-266-0911
FAX: 574-266-6669

"LET US SHOW YOU THE MEDIX DIFFERENCE"
WWW.MEDIXAMBULANCE.COM

Dealer: SWAS

Approved By:

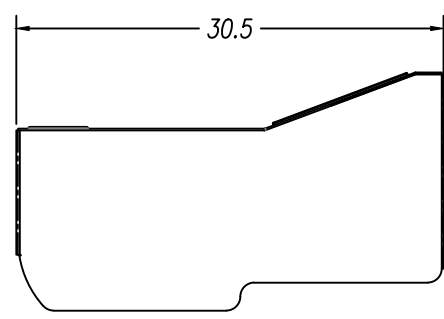
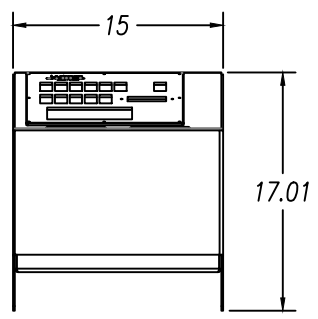
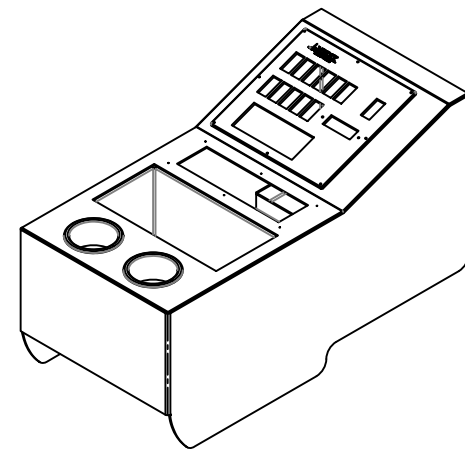
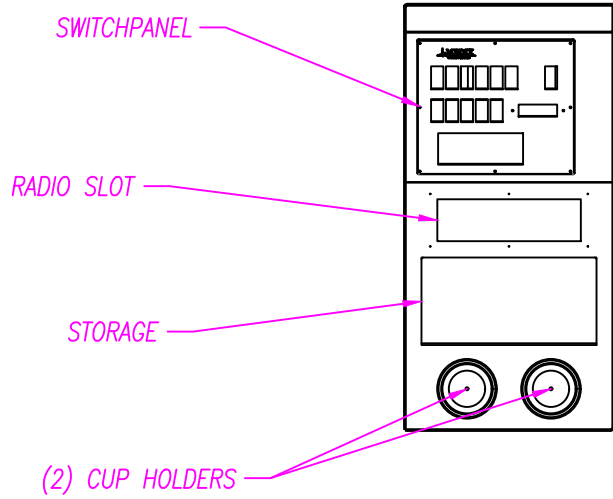
Date:

Customer:


CITY OF PHARR

21-M1209-10

Sheet
J



M2 170" TYPE I		
FORD F-450/550-DIESEL-193" W.B.		
DESCRIPTION: FRONT CONSOLE		
DRAWN BY: I.STANSBURY	DATE CREATED: 2/1/2022	SCALE: 1/2"=1'
REVISED BY: I.STANSBURY	DATE REVISED: 4/11/2022	REVISION: A
Note: Drawings are for reference only, measurements may vary from actual product.		



MEDIX
SPECIALTY VEHICLES, INC.

3008 MOBILE DRIVE
ELKHART, IN 46514
PH: 574-266-0911
FAX: 574-266-6669

"LET US SHOW YOU THE MEDIX DIFFERENCE"
WWW.MEDIXAMBULANCE.COM