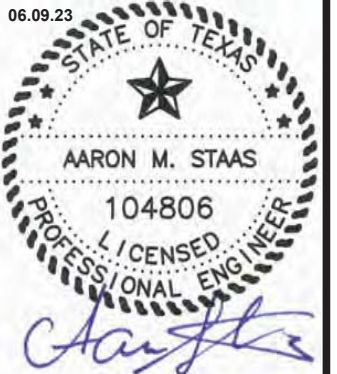


MASKE RD  
\*\*\*

120 WINDY MEADOWS DRIVE  
SCHERTZ, GUADALUPE COUNTY, TEXAS 78154  
(5000166652)



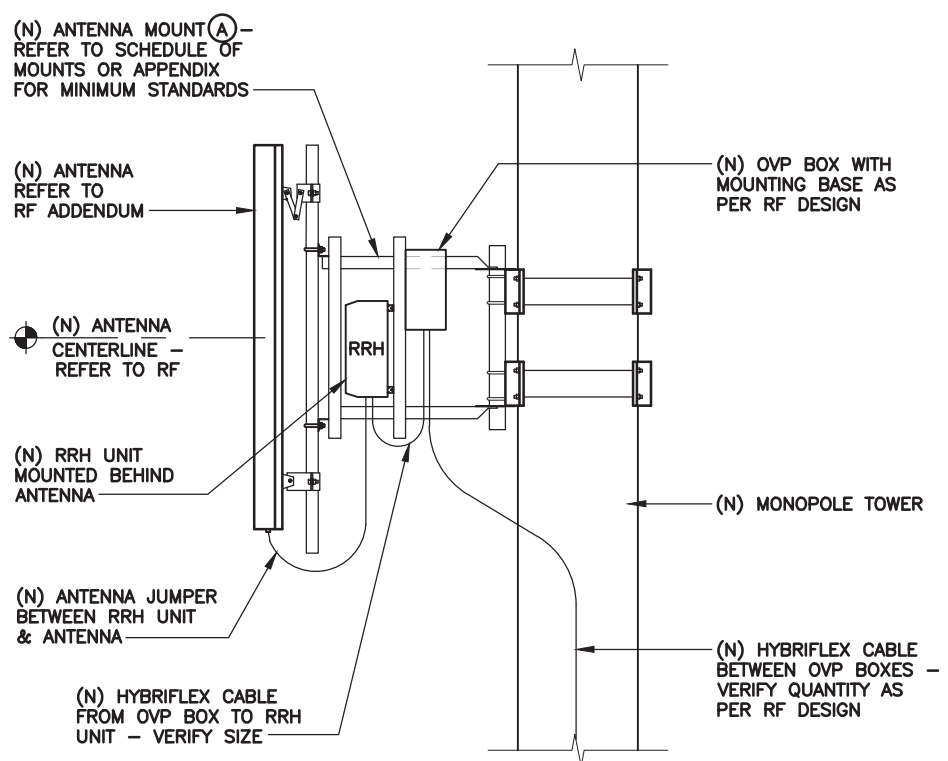
ARCHCOMM, LLC.  
1006 Beckett  
San Antonio, Texas 78213  
(210) 308-9905  
TBPE NO. F-15659

SHEET TITLE  
**SITE ELEVATION**

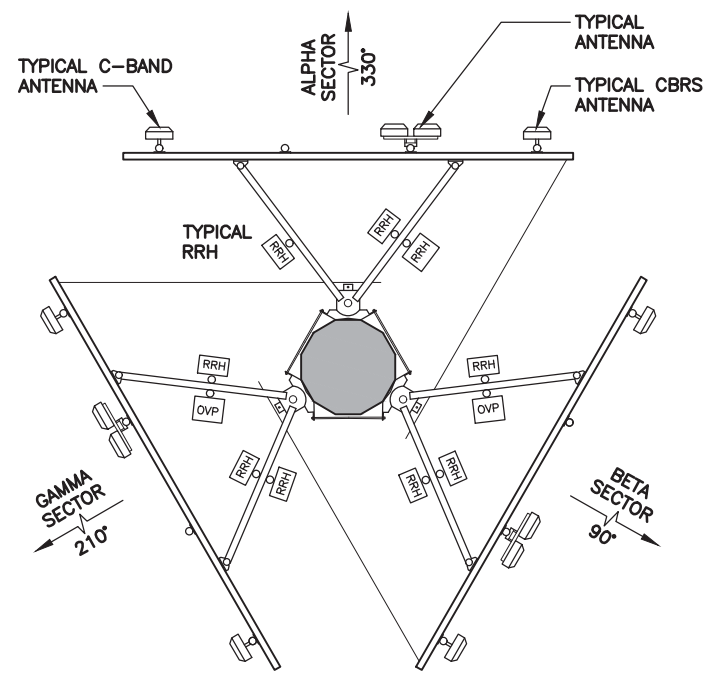
SHEET HISTORY	
02.15.23	PCD
06.09.23	FCD

A2

THESE DRAWINGS ARE THE PROPERTY OF VERIZON WIRELESS. THEY ARE INTENDED FOR THE EXCLUSIVE USE OF THIS PROJECT ONLY. ANY RE-USE OF THESE PLANS (DRAWINGS) WITHOUT THE EXPRESS WRITTEN CONSENT OF VERIZON WIRELESS IS PROHIBITED.

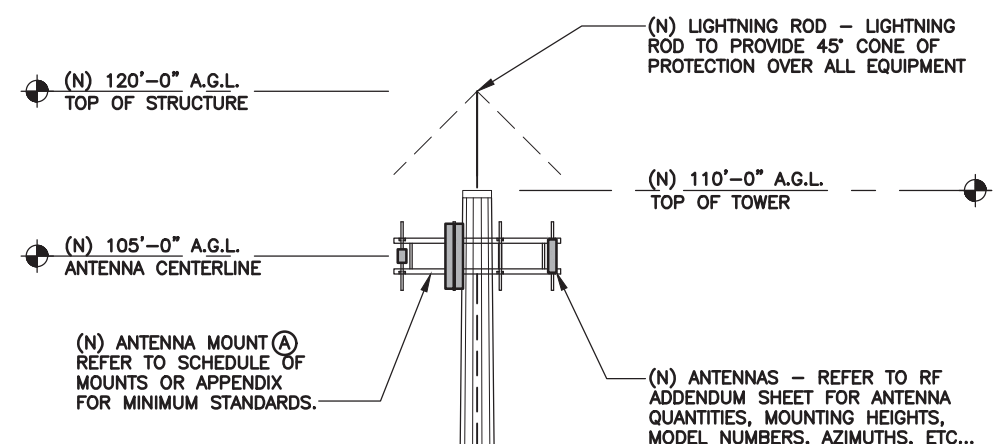


**2 SECTION THRU ANTENNA SECTOR**  
SCALE: N.T.S.



**3 PLAN OF ANTENNA SECTORS**  
SCALE: N.T.S.

(N) = NEW LESSEE  
(E) = EXISTING  
(F) = FUTURE



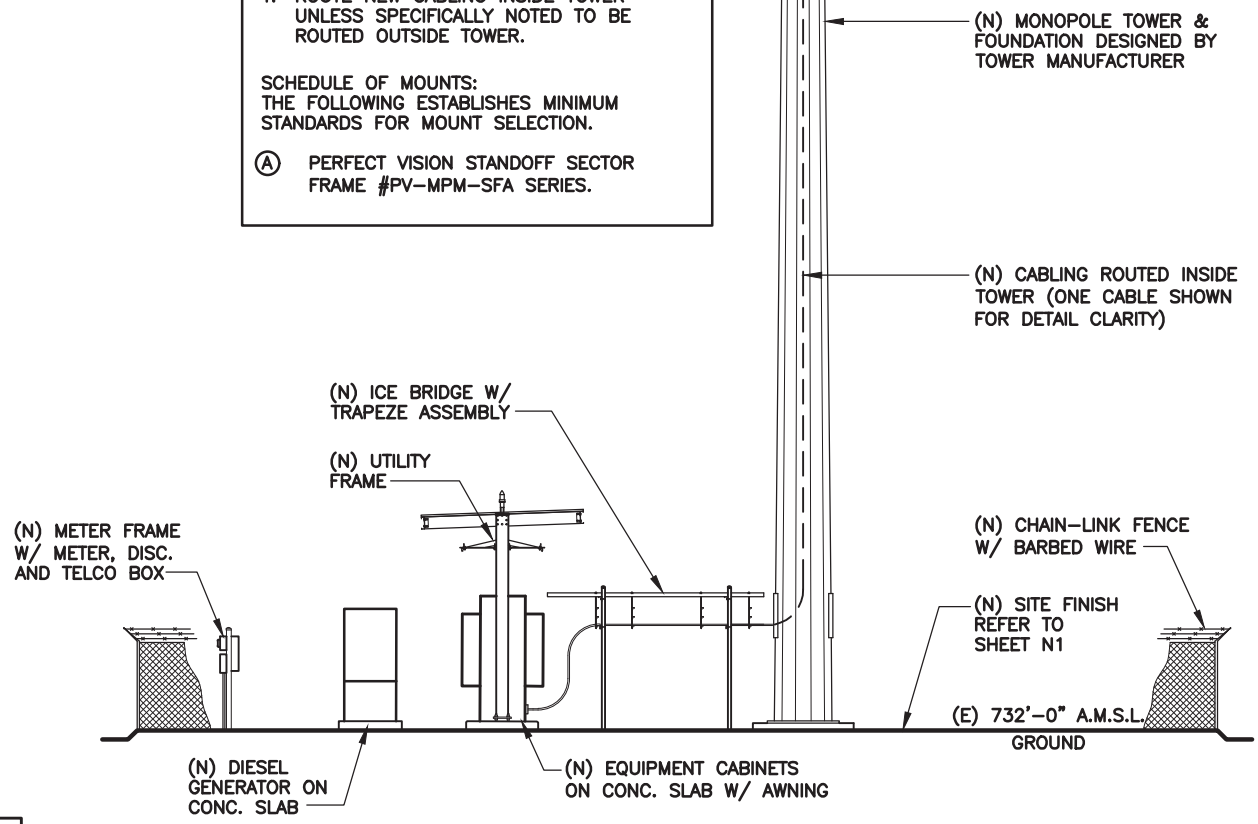
**TOWER VERIFICATION NOTE:**  
THE GENERAL CONTRACTOR SHALL VERIFY WITH OWNER, THE TOWER TYPE AND HEIGHT PRIOR TO ORDERING OR CONSTRUCTING THE TOWER.

**GENERAL NOTES:**

1. SUBCONTRACTOR TO COMPLY WITH ALL FCC AND FAA REGULATIONS ON THIS PROJECT.
2. ON TOWERS OVER 200' TALL ADD AIRCRAFT WARNING LIGHTS AND CONTROLS PER FAA REGULATIONS.
3. THIS SITE ELEVATION IS A GENERALIZATION OF SITE AND TOWER COMPONENTS AND THEIR RELATIONSHIPS WITH ONE ANOTHER.
4. ROUTE NEW CABLING INSIDE TOWER UNLESS SPECIFICALLY NOTED TO BE ROUTED OUTSIDE TOWER.

**SCHEDULE OF MOUNTS:**  
THE FOLLOWING ESTABLISHES MINIMUM STANDARDS FOR MOUNT SELECTION.

(A) PERFECT VISION STANDOFF SECTOR FRAME #PV-MPM-SFA SERIES.



**1 SITE ELEVATION**  
SCALE: N.T.S.