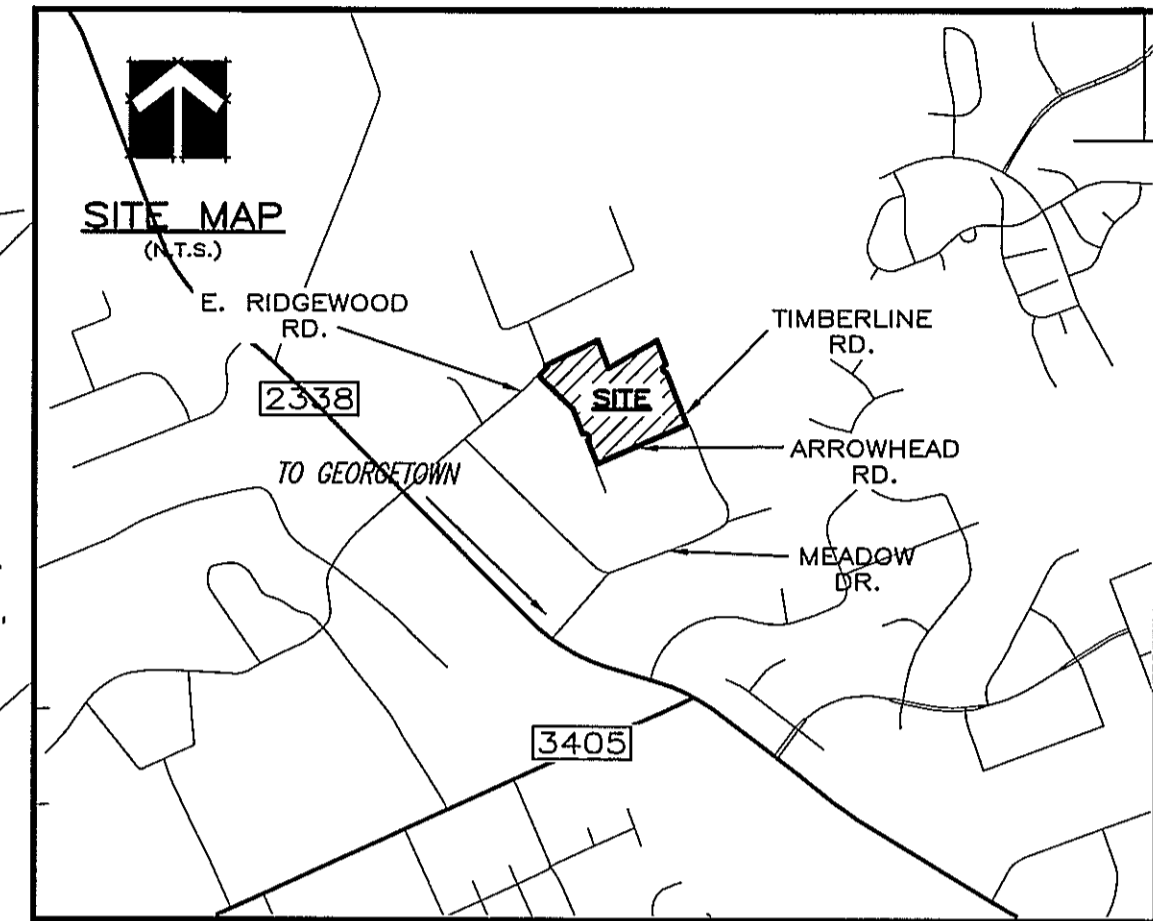


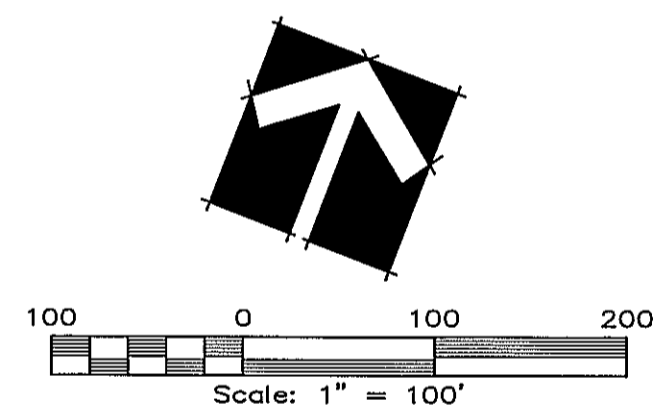
PRELIMINARY PLAT  
**OAKLAND PARK SUBDIVISION**  
 25.64 ACRES OUT OF  
 THE FREDERICK FOY SURVEY ABSTRACT NO. 229  
 WILLIAMSON COUNTY, TEXAS

**LEGEND**

●	1/2" IRON PIN FOUND (UNLESS OTHERWISE NOTED)
○	1/2" IRON PIN SET w/YELLOW PLASTIC CAP "CS, LTD"
B.L.	BUILDING SETBACK LINE
P.U.E.	PUBLIC UTILITY EASEMENT
E.E.	ELECTRIC EASEMENT
O.S.S.F.	ON-SITE SEWAGE FACILITY
O.P.R.W.C.	OFFICIAL PUBLIC RECORDS WILLIAMSON CO.
O.R.W.C.	OFFICIAL RECORDS WILLIAMSON CO.
D.R.W.C.	DEED RECORDS WILLIAMSON CO.
P.R.W.C.	PLAT RECORDS WILLIAMSON CO.



CONTOUR DATA BASED ON  
 CAPCOG GIS DATA

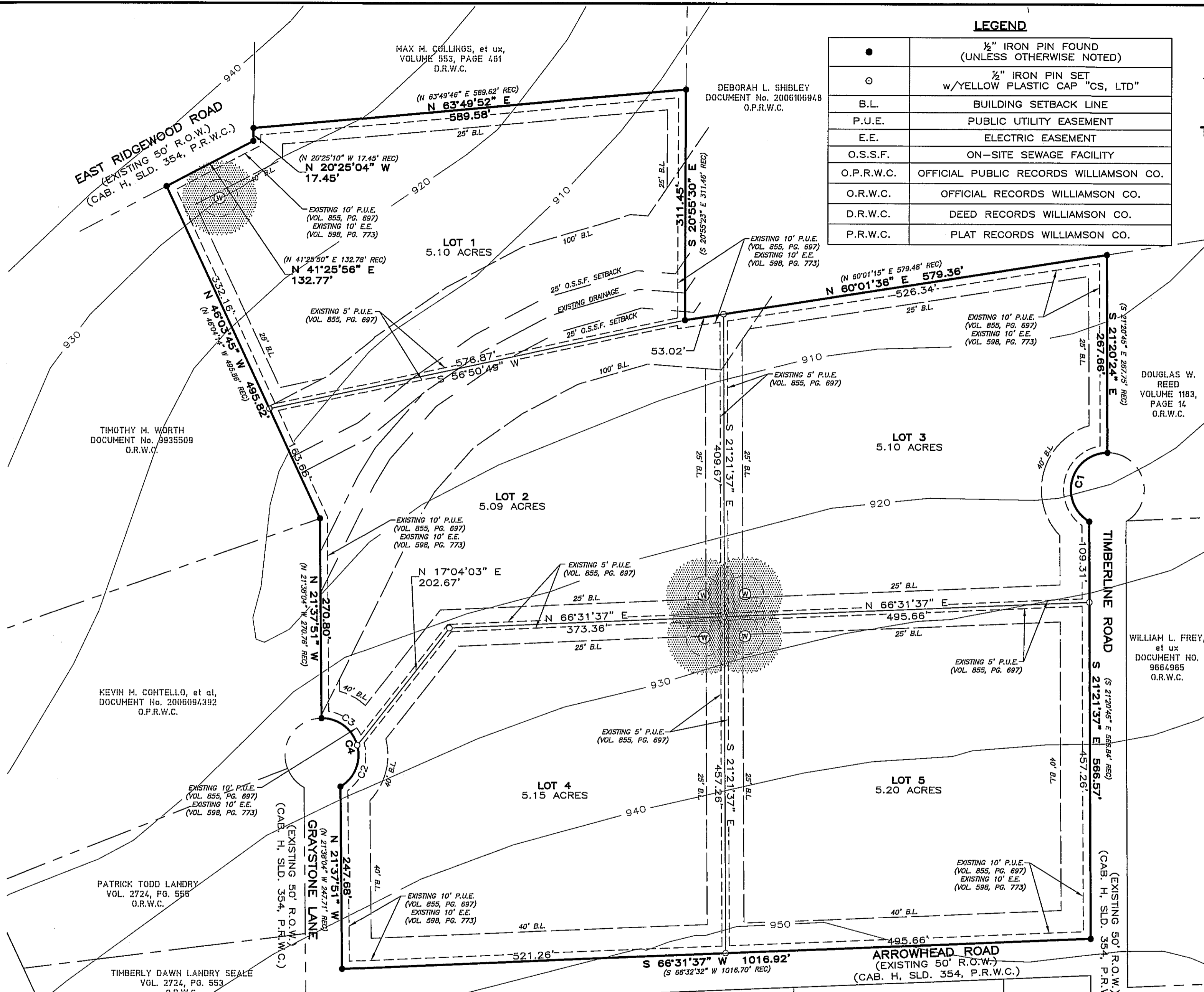
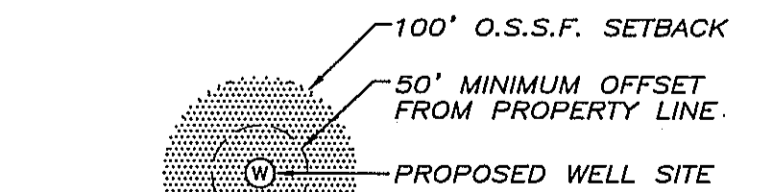


BEARINGS BASED ON GRID NORTH  
 TEXAS STATE PLANE COORDINATE SYSTEM  
 CENTRAL ZONE (NAD83)

PRELIMINARY PLAT OF  
**OAKLAND PARK SUBDIVISION**

**OWNERS:** TO BE DETERMINED  
 ADDRESS  
 CITY, STATE ZIP  
 (XXX)XXX-XXXX/(XXX)XXX-XXXX fax

**ACREAGE:** 25.64 ACRES  
**SURVEY:** FREDERICK FOY SURVEY, ABSTRACT NO. 229  
**NO. OF BLOCKS:** 0  
**NO. OF LOTS:** 5 RESIDENTIAL  
**NEW STREETS:** NONE  
**DATE:** MAY 2012  
**SURVEYOR:** CASTLEBERRY SURVEYING, LTD.  
**ENGINEER:** SMITH-WESTERN ENGINEERING  
 TBPE FIRM #1612  
 3613 WILLIAMS DRIVE, STE. 901  
 GEORGETOWN, TEXAS 78628  
 (512) 869-1168/(512) 819-4677 fax



NO LOT IN THIS SUBDIVISION IS ENROACHED BY A SPECIAL FLOOD HAZARD AREA INUNDATED BY 100 YEAR FLOOD AS IDENTIFIED BY THE U.S. FEDERAL EMERGENCY MANAGEMENT AGENCY BOUNDARY MAP, (FLOOD INSURANCE RATE MAP), COMMUNITY PANEL NO. 48491C0275E, EFFECTIVE DATE SEPTEMBER 26, 2008 FOR WILLIAMSON COUNTY, TEXAS.

NO STRUCTURE OR LAND ON THIS PLAT SHALL HEREAFTER BE LOCATED OR ALTERED WITHOUT FIRST SUBMITTING A CERTIFICATE OF COMPLIANCE TO THE WILLIAMSON COUNTY FLOOD PLAIN ADMINISTRATOR.

*Jessie Barr 5/17/12*  
 WILLIAMSON COUNTY 911 ADDRESSING COORDINATOR SIGNATURE  
 PRELIMINARY PLAT APPROVAL

POSTMASTER SIGNATURE

SUE FOX  
 VOL. 1131, 669  
 D.R.W.C.

**CURVE TABLE**

NUMBER	DELTA	RADIUS	ARC	CHORD	DIRECTION
C1	149°47'39"	50.00'	130.72'	96.55'	S 06°21'41" E
C2	74°52'06"	50.00'	65.33'	60.78'	N 00°52'36" E
C3	74°56'38"	50.00'	65.40'	60.84'	N 74°01'46" W
C4	149°48'44"	50.00'	130.74'	96.55'	N 36°35'43" W

**RECORD CURVE TABLE**

NUMBER	DELTA	RADIUS	ARC	CHORD	DIRECTION
C1	NO REC	50.00'	130.90'	96.59'	S 06°20'45" E
C2 & C3	NO RECORD				
C4	NO REC	50.00'	130.90'	96.59'	N 36°38'04" W

REMAINDER  
 KIRCHNER FAMILY TRUST  
 TRACT 2  
 DOCUMENT No. 2002055322  
 O.P.R.W.C.

REMAINDER  
 KIRCHNER FAMILY TRUST  
 TRACT 1  
 DOCUMENT No. 2002055322  
 O.P.R.W.C.

KIRCHNER  
 FAMILY TRUST  
 TRACT 3  
 DOCUMENT No.  
 2002055322  
 O.P.R.W.C.

**Castleberry Surveying, Ltd.**  
 3613 Williams Drive, Suite 903 - Georgetown, Texas 78628  
 (512) 930-1800/(512) 930-9389 fax  
 www.castleberrysurveying.com