

**STANDARD UTILITY AGREEMENT
SUPPLEMENTAL AGREEMENT No. 1 TO CR 110 South**

This Supplemental Agreement is made pursuant to the terms and conditions of the Agreed entered into by and between Williamson County, Texas, a political subdivision of the State of Texas, (**the "County"**) and Atmos Energy Corporation, (**the "Utility"**) and shall be effective upon the date of acceptance and execution by and on behalf of the **County**.

Whereas, the **County** and **Utility** executed a Standard Utility Agreement on November 15, 2016, concerning the adjustment, relocation, or removal of certain of **Utility's** facilities;

Whereas, said Standard Utility Agreement limits the required scope of work and/or the amount of eligible reimbursement;

Whereas, due to the newly discovered information by the **Utility** deemed sufficient by the **County**, the **County** and **Utility** agree that supplementation to the Standard Utility Agreement is necessary; and

Whereas, the statement of work contained in the Standard Utility Agreement shall be supplemented to include: Installation of Approximate 668 linear feet of 8" HDPE pipeline with approximately 142 linear feet of 12" steel casing, which is more specifically shown in **Utility's** plans, specifications, estimated costs and schedule which are attached to this supplemental agreement as Attachment "A".

Now, Therefore, Be It Agreed:

The statement of work contained in the Standard Utility Agreement is supplemented to include the additional adjustment, relocation or removal found in Attachment "A".

The estimated cost of the adjustment, relocation or removal is **increased** by **\$77,960.58** for a total of **\$276,406.48**. The parties agree that the approval of estimated costs in no way indicates the eligibility of said costs for reimbursement.

All conditions and agreements contained in the Standard Utility Agreement except those specifically included in this document remain in effect.

STANDARD UTILITY AGREEMENT
SUPPLEMENTAL AGREEMENT No 1 TO CR 110 South
(con't.)

The signatories to this agreement warrant that each has the authority to enter into this agreement on behalf of the party represented.


IN WITNESS WHEREOF, the parties hereto have affixed their signatures.

UTILITY

WILLIAMSON COUNTY

Utility: Atmos Energy Corporation
Name of Utility

By: _____
Authorized Signature

By: 
Authorized Signature
Jeffrey S. Knights

Dan A. Gattis
Print or Type Name

Title: VP Technical Services
Atmos Energy Corporation
Mid-Tex Division

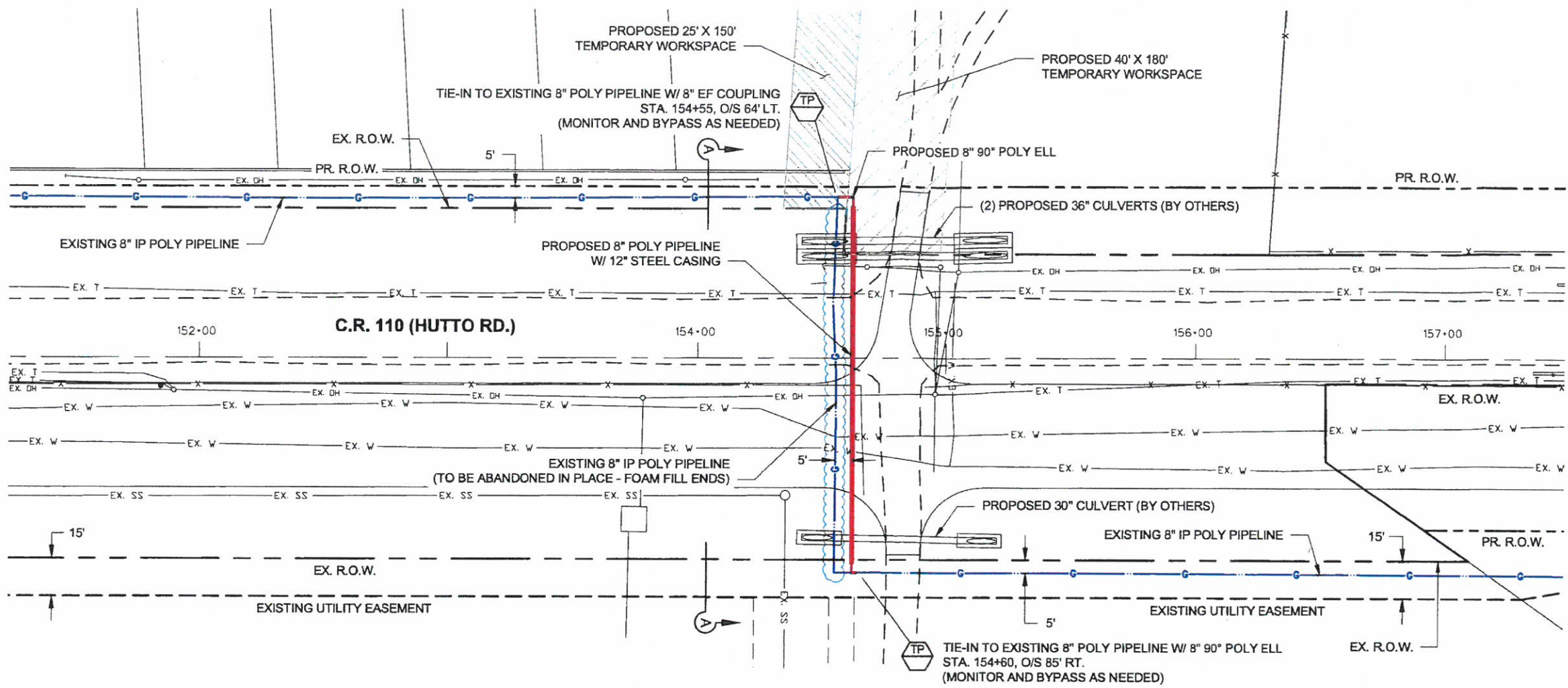
Title: Williamson County Judge

Date: 10/19/17

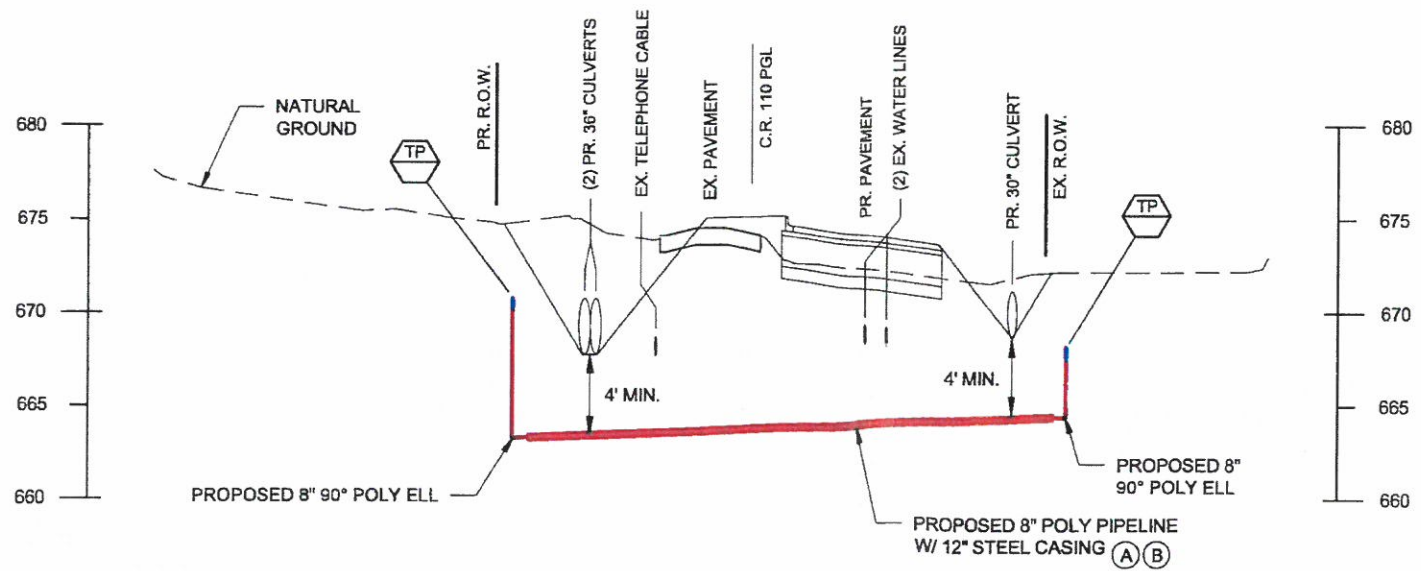
Date: _____

ATTACHMENT "A"

Plans and Estimates:

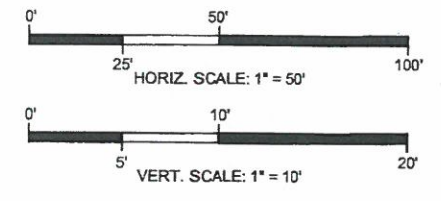
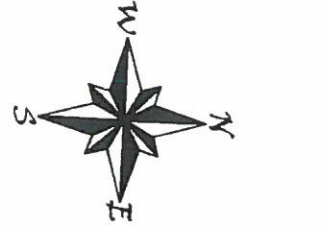


PLAN



CROSS SECTION "A-A" - STA. 154+62

NOTE: CROSS SECTION IS INTENDED AS A GUIDE ONLY. CONTRACTOR TO VERIFY LOCATION & DEPTH OF EXISTING UTILITIES.



I, HANS J. KAST, A PROFESSIONAL ENGINEER IN THE STATE OF TEXAS, HEREBY CERTIFY THAT THE CIVIL AND MECHANICAL DESIGN OF THE PIPELINE AND RELATED ASSEMBLIES MEETS OR EXCEEDS THE REQUIREMENTS OF THE CODE OF FEDERAL REGULATIONS, TITLE 49, PART 192, "TRANSPORTATION OF NATURAL AND OTHER GAS BY PIPELINE" LATEST EDITION. THIS CERTIFICATION MAKES NO GUARANTEE THAT THIS DRAWING CONTAINS COMPLETE OR CONCLUSIVE INFORMATION. THE CONSTRUCTION CONTRACTOR MUST CONTACT THE STATE "ONE CALL" SYSTEM PRIOR TO ANY EXCAVATION.

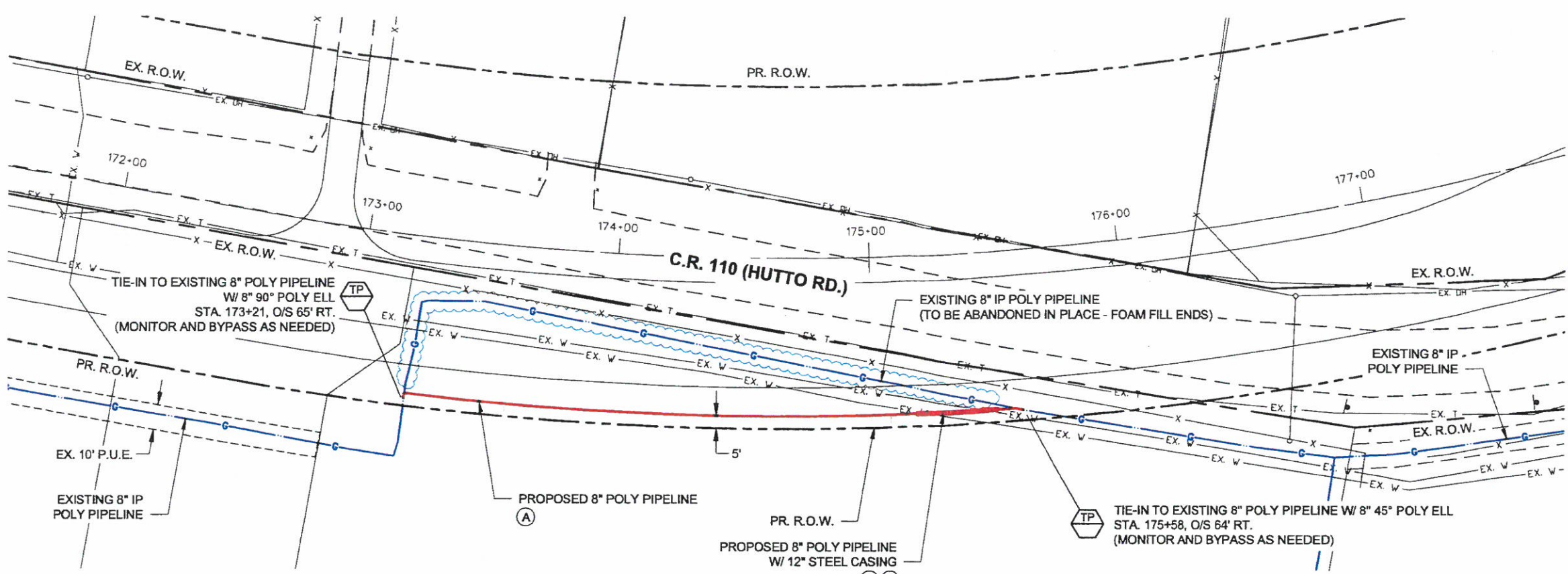
Hans J. Kast 7/12/16
 HANS J. KAST DATE
 TEXAS P.E. NO. 68757

NO.	DATE	REVISION
A	11/19/15	ISSUED FOR CLIENT REVIEW
B	12/14/15	ISSUED FOR BID
0	07/01/16	ISSUED FOR CONSTRUCTION

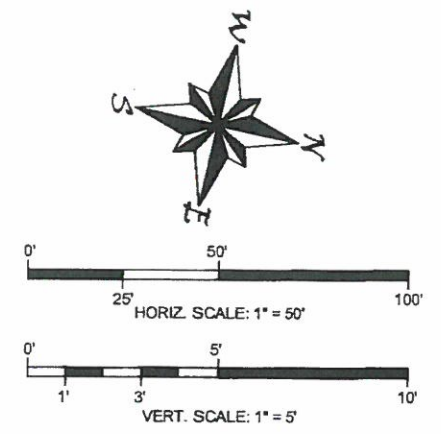
Universal & Pegasus, Inc.
 4848 Long Central Dr., Houston, Texas 77081-2358
 Houston, Texas 77081-2355 713.877.7770
www.universalpegasus.com

PROJ. MGR.: MARTIN PEREZ		
PROJECT NO.: 080.52459	UEI JOB NO.: 23044	
DRAWN BY: UEI	CHECKED BY: HJK	APPROVED BY: JTS
UPI DOC. CONTROL NO.: 23044-505-PPW-10001	DATE: 11/17/15	
GAS UTILITY RELOCATION PROPOSED ATMOS ENERGY PIPELINE C.R. 110 WIDENING CITY OF ROUND ROCK PLAN & CROSS SECTION - STA. 154+62		
WILLIAMSON COUNTY		TEXAS
SCALE: AS SHOWN	SHEET 3 OF 5	REV
DRAWING NO. UEI-080.52459-23044-1303	0	

W:\3344\ATMOS-CR-110-Widening\BIDDING\BIDDING\Drawings\110-Cross-Section\110-Cross-Section.dwg, 7/12/2016 11:33 AM, DWG, 16 PDF, 43

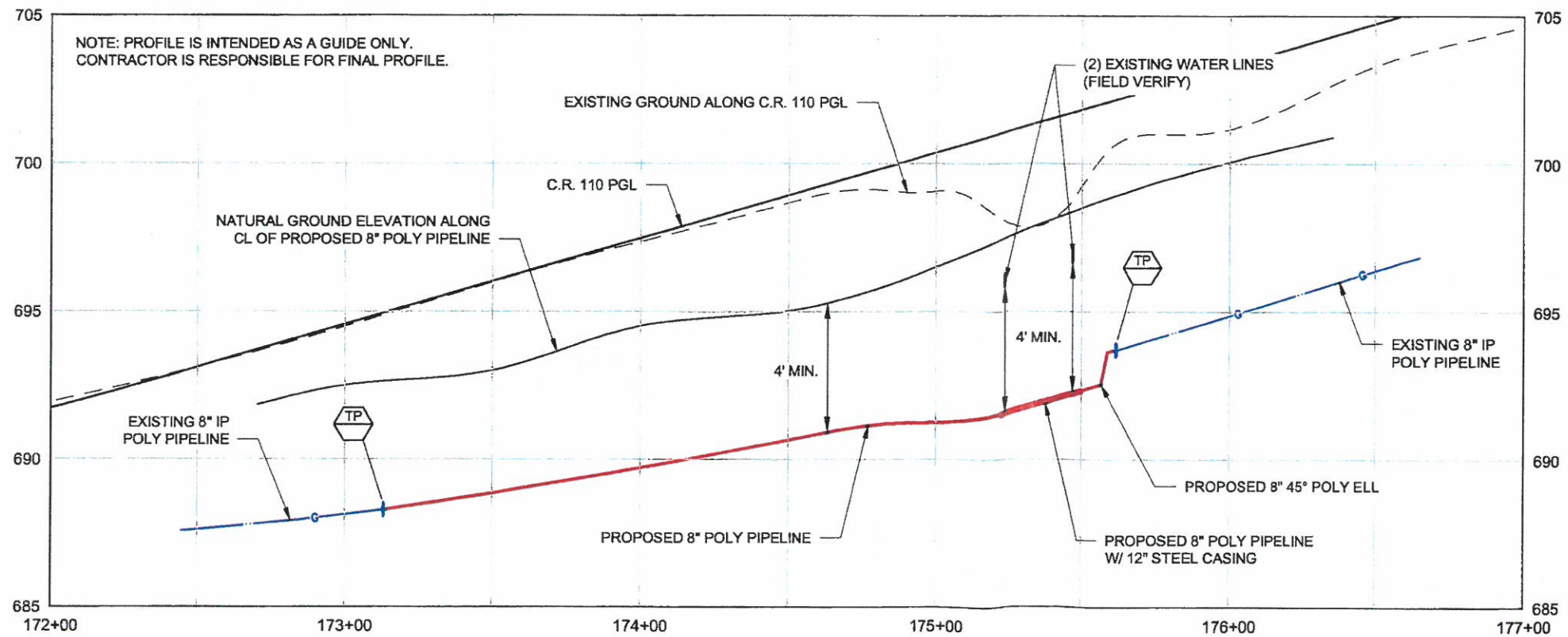


PLAN



I, HANS J. KAST, A PROFESSIONAL ENGINEER IN THE STATE OF TEXAS, HEREBY CERTIFY THAT THE CIVIL AND MECHANICAL DESIGN OF THE PIPELINE AND RELATED ASSEMBLIES MEETS OR EXCEEDS THE REQUIREMENTS OF THE CODE OF FEDERAL REGULATIONS, TITLE 49, PART 192, "TRANSPORTATION OF NATURAL AND OTHER GAS BY PIPELINE" LATEST EDITION. THIS CERTIFICATION MAKES NO GUARANTEE THAT THIS DRAWING CONTAINS COMPLETE OR CONCLUSIVE INFORMATION. THE CONSTRUCTION CONTRACTOR MUST CONTACT THE STATE "ONE CALL" SYSTEM PRIOR TO ANY EXCAVATION.

Hans J. Kast 7/2/16
 HANS J. KAST DATE
 TEXAS P.E. NO. 68757



PROFILE

NO.	DATE	REVISION
A	11/19/15	ISSUED FOR CLIENT REVIEW
B	12/14/15	ISSUED FOR BID
D	07/01/16	ISSUED FOR CONSTRUCTION

Universal Energy, Inc.
4848 Loop Central Dr., Houston, Texas 77061-2305
Houston, Texas 77061-2305 713.677.7770
www.universalpegasus.com

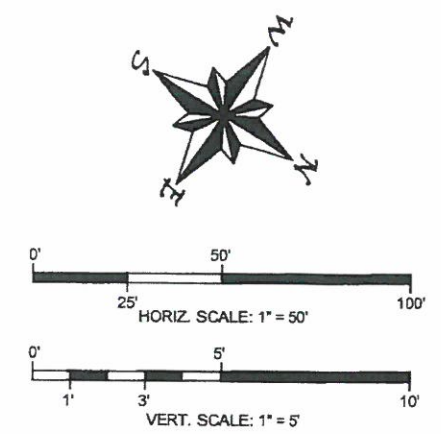
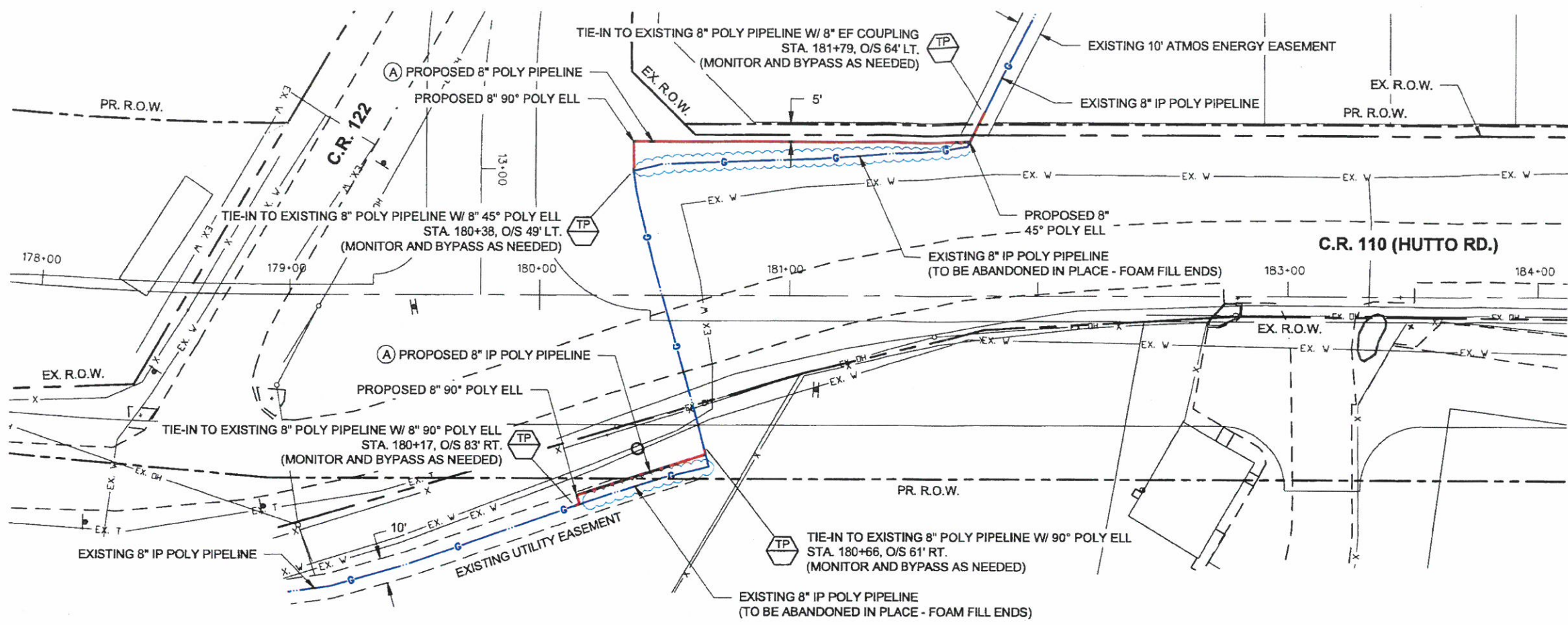
PROJ. MGR.: MARTIN PEREZ	UEI JOB NO.: 23044
PROJECT NO.: 080.52459	APPROVED BY: JTS
DRAWN BY: UEI	CHECKED BY: HJK
UPI DOC. CONTROL NO.: 23044-505-PPW-10002	DATE: 11/17/15

**GAS UTILITY RELOCATION
 PROPOSED ATMOS ENERGY PIPELINE
 C.R. 110 WIDENING
 CITY OF ROUND ROCK
 PLAN & PROFILE - STA. 172+00 TO STA. 177+00**

WILLIAMSON COUNTY TEXAS

SCALE: AS SHOWN	SHEET 4 OF 5	REV
DRAWING NO. UEI-080.52459-23044-1304		0

W:\23044-ATMOS-CR 110 Widening-8\"/>



I, HANS J. KAST, A PROFESSIONAL ENGINEER IN THE STATE OF TEXAS, HEREBY CERTIFY THAT THE CIVIL AND MECHANICAL DESIGN OF THE PIPELINE AND RELATED ASSEMBLIES MEETS OR EXCEEDS THE REQUIREMENTS OF THE CODE OF FEDERAL REGULATIONS, TITLE 49, PART 192, "TRANSPORTATION OF NATURAL AND OTHER GAS BY PIPELINE" (LATEST EDITION). THIS CERTIFICATION MAKES NO GUARANTEE THAT THIS DRAWING CONTAINS COMPLETE OR CONCLUSIVE INFORMATION. THE CONSTRUCTION CONTRACTOR MUST CONTACT THE STATE "ONE CALL" SYSTEM PRIOR TO ANY EXCAVATION.

Hans J. Kast
 HANS J. KAST
 TEXAS P.E. NO. 68757
 DATE

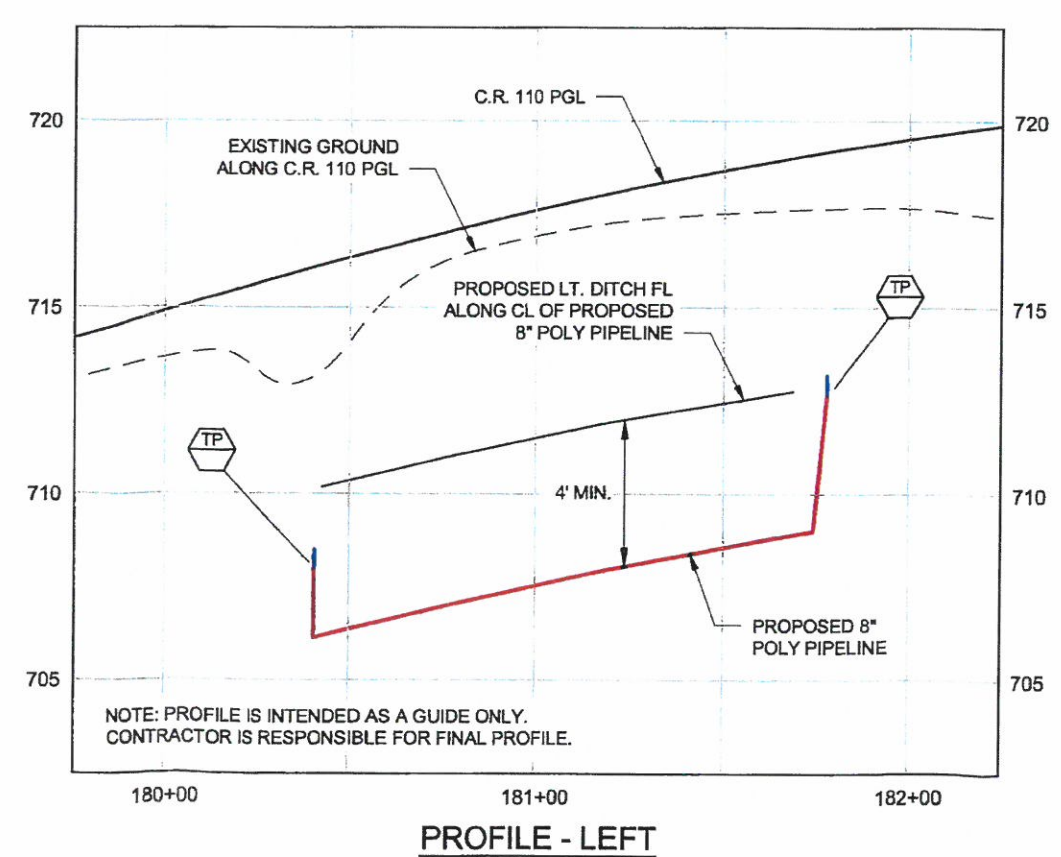
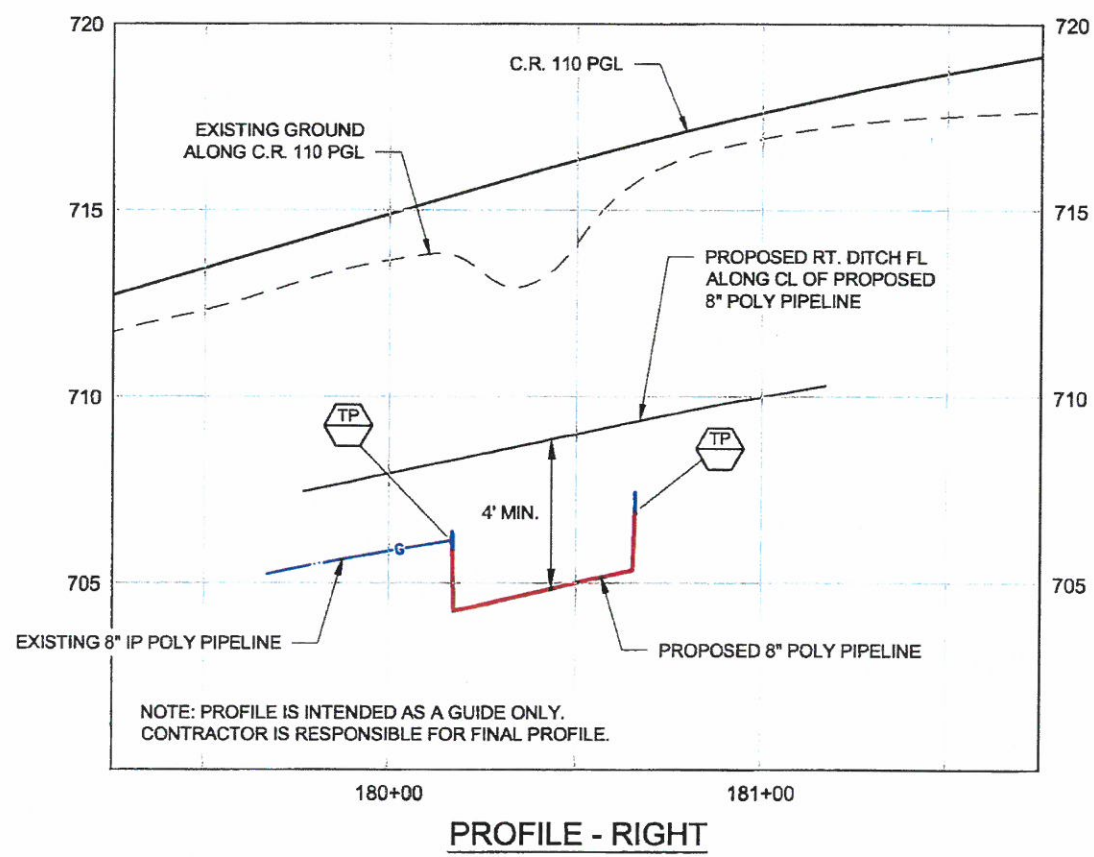
NO.	DATE	REVISION
A	11/19/15	ISSUED FOR CLIENT REVIEW
B	12/14/15	ISSUED FOR BID
D	07/01/16	ISSUED FOR CONSTRUCTION

ATMOS energy

Universal Pegasus INTERNATIONAL
 A Subsidiary of Hamilton Ingersoll Industries
 4848 Loop Central Dr., Houston, Texas 77061-2385
 Houston, Texas 77061-2385 713.877.7770
 www.universalpegasus.com

PROJ. MGR:	MARTIN PEREZ
PROJECT NO.:	080.52459
UEI JOB NO.:	23044
DRAWN BY:	UEI
CHECKED BY:	HJK
APPROVED BY:	JTS
UPI DOC. CONTROL NO.:	23044-505-PPW-10003
DATE:	11/17/15

GAS UTILITY RELOCATION		
PROPOSED ATMOS ENERGY PIPELINE		
C.R. 110 WIDENING		
CITY OF ROUND ROCK		
PLAN & PROFILES - STA. 178+00 TO STA. 184+00		
WILLIAMSON COUNTY		TEXAS
SCALE:	AS SHOWN	SHEET 5 OF 5
DRAWING NO.	UEI-080.52459-23044-1305	REV 0



W:\33644\ATMOS_Cr 110 Widening\08052459\Engineering\Profiles\Drawings\08052459-23044.dwg, 7/12/2015 4:13:34 AM, DWG, 16 PDF, 163



COST ANALYSIS SHEET

Project: 080.52459
 As of Date: 16-May-17

	Actual	Estimated	\$ Var	% Var	Explanation*
Materials	\$ 18,694.03	\$15,999.11	\$2,694.92	17%	Additional materials required due to changes in project scope. Due to changes in project scope, the need for Engineering, Project Management, Field Ops, Environmental and ROW services were significantly greater than anticipated.
Labor-Company	\$ 10,212.36	\$5,008.00	\$5,208.36	104%	
Construction Cost	\$ 117,723.09	\$99,500.75	\$18,222.34	18%	Additional contractor expense required due to changes in project scope and easement availability. Due to changes in project scope and easement availability, the need for Contract Engineering and Project Management was greater than anticipated. 3rd party ROW agent provided onsite monitoring in order to prevent issues with USACE property and manage/monitor repairs to Subdivision fence.
Contractor Expense	\$ 75,786.34	\$36,899.87	\$38,886.47	105%	
Misc. Expense	\$ 8.25	\$0.00	\$8.25	100%	Cost for postage to send final records for archiving
Right of Way	\$ 1,500.00	\$0.00	\$1,500.00	100%	Temporary workspace was required due to unforeseen easement availability issues.
Total Direct Costs	\$ 223,924.07	\$157,405.73	\$66,518.34		
AFUDC	\$ 543.45				
General Overheads	\$ 51,938.96	\$41,040.17	\$10,898.79	27%	Indirect construction overheads rate is set by the Atmos corporate accounting department. The overhead rate is reviewed and adjusted on a periodic basis. This rate is calculated based on a percentage of the direct cost which is HIGHER than originally estimated.
Indirect Costs	\$ 52,482.41	\$41,040.17	\$10,898.79		
TOTAL CWIP CHARGES	\$276,406.48	\$198,445.90			
Total Amount Due	\$276,406.48	\$198,445.90			
Eligible Cost 30.51%	\$84,331.62				

LETTER OF TRANSMITTAL

To: HNTB
101 E. Old Settlers Blvd., Suite 100
Round Rock, Texas 78644

Date: October 23, 2017
CobbFendley Job: 1703-011-02-43A
Re: CR 110 South
Atmos' Supplemental Agreement Package

ATTENTION: Eddie Church 512-744-9082

WE ARE SENDING YOU THE FOLLOWING VIA: hand delivered

Prints Originals Other _____

QUANTITY	DESCRIPTION
4	Atmos' Supplemental Agreement Package

Received
 OCT 23 2017
 HNTB Corporation
 Round Rock

PURPOSE OF TRANSMITTAL:

- For Approval For Your Use
 As Requested For Review & Comment

REMARKS:

Mr. Church

We have reviewed and recommend execution of Atmos' Supplemental Agreement in the amount of \$276,406.48, which increased by \$77,960.58.

If you have any questions, please let me know.

Thank you,

Copy To File

Received By: _____
Date & Time: _____

SIGNED 
Melissa Horn, Principal