

Received

RECEIVED
NOV 30 2017
BY: PSP

Received

WILLIAMSON COUNTY, TEXAS

CHANGE ORDER NUMBER: 3

HNTB Corporation
Round Rock

- 1. CONTRACTOR: Chasco Constructors
- 2. Change Order Work Limits: Sta. 99+40 to Sta. 211+00
- 3. Type of Change (on federal-aid non-exempt projects): Minor (Major/Minor)
- 4. Reasons: 3E & 3H (3 Max. - In order of importance - Primary first)

Project: 1604-075

Roadway: CR 110 South

CSJ Number: _____

P260

5. Describe the work being revised:

3E: County Convenience. Reduction of future maintenance. This Change Order replaces surface hot mix Type C to Type D, supplements the Type 4 seeding mix with Type 11 (Bermuda), and adds additional concrete pipe and end treatment items at utility poles. **3H: County Convenience. Cost savings opportunity discovered during construction.** This Change Order also substitutes single-slope portable concrete barrier with low profile concrete barrier (LPCB).

- 6. Work to be performed in accordance with Items: see attached
- 7. New or revised plan sheet(s) are attached and numbered: 80-A, 80-B
- 8. New Special Provisions/Specifications to the contract are attached: Yes No
- 9. New Special Provisions to Item 164 No. WC03, Special Specification Item N/A are attached.

Each signatory hereby warrants that each has the authority to execute this Change Order (CO).

<p><i>The contractor must sign the Change Order and, by doing so, agrees to waive any and all claims for additional compensation due to any and all other expenses; additional changes for time, overhead and profit; or loss of compensation as a result of this change.</i></p>	<p>The following information must be provided</p>
<p>THE CONTRACTOR Date <u>11-28-2017</u></p> <p>By <u>Charles J. Glace JR</u></p> <p>Typed/Printed Name <u>Charles J Glace JR</u></p> <p>Typed/Printed Title <u>President</u></p>	<p>Time Ext. #: <u>N/A</u> Days added on this CO: <u>0</u></p> <p>Amount added by this change order: <u>\$31,812.74</u></p>

RECOMMENDED FOR EXECUTION:

[Signature] P.E. 11/29/17
Project Manager Date

N/A
Design Engineer Date

[Signature] 11/29/17
Program Manager Date

Design Engineer's Seal:

see attached pages

County Commissioner Precinct 1 Date
 APPROVED REQUEST APPROVAL

County Commissioner Precinct 2 Date
 APPROVED REQUEST APPROVAL

County Commissioner Precinct 3 Date
 APPROVED REQUEST APPROVAL

County Commissioner Precinct 4 Date
 APPROVED REQUEST APPROVAL

County Judge Date
 APPROVED

WILLIAMSON COUNTY, TEXAS

CHANGE ORDER NUMBER: 3

Project # 1604-075

TABLE A: Force Account Work and Materials Placed into Stock

	LABOR	HOURLY RATE			HOURLY RATE

TABLE B: Contract Items:

ITEM	DESCRIPTION	UNIT	UNIT PRICE	ORIGINAL + PREVIOUSLY REVISED		ADD or (DEDUCT)	NEW		OVERRUN/ UNDERRUN
				QUANTITY	ITEM COST	QUANTITY	QUANTITY	ITEM COST	
0164-WC11	SEEDING FOR EROSION CONTROL (TYPE 11)	SY	\$0.09	0.00	\$0.00	57,886.00	57,886.00	\$5,209.74	\$5,209.74
0341-6027	D-GR HMA TY-C SAC-B PG 70-22	TON	\$75.00	6,909.00	\$518,175.00	(6,909.00)	0.00	\$0.00	(\$518,175.00)
0341-6042	D-GR HMA TY-D SAC-B PG 70-22	TON	\$77.00	0.00	\$0.00	6,909.00	6,909.00	\$531,993.00	\$531,993.00
0464-6001	RC PIPE (CLIII)(12 IN)	LF	\$50.00	0.00	\$0.00	44.00	44.00	\$2,200.00	\$2,200.00
0464-6003	RC PIPE (CLIII)(18 IN)	LF	\$86.00	50.00	\$4,300.00	46.00	96.00	\$8,256.00	\$3,956.00
0467-6326	SET (TYII)(12 IN)(RCP)(6:1)(P)	EA	\$800.00	0.00	\$0.00	2.00	2.00	\$1,600.00	\$1,600.00
0467-6363	SET (TYII)(18 IN)(RCP)(6:1)(P)	EA	\$1,500.00	0.00	\$0.00	12.00	12.00	\$18,000.00	\$18,000.00
0512-6001	PORT CTB (FUR & INSTL)(SGL SLOPE)(TY 1)	LF	\$66.00	881.00	\$58,146.00	(881.00)	0.00	\$0.00	(\$58,146.00)
0512-6009	PORT CTB (FUR & INSTL)(LOW PROFILE)(TY 1)	LF	\$65.00	0.00	\$0.00	881.00	881.00	\$57,265.00	\$57,265.00
0512-6010	PORT CTB (FUR & INSTL)(LOW PROFILE)(TY 2)	LF	\$65.00	0.00	\$0.00	80.00	80.00	\$5,200.00	\$5,200.00
0512-6025	PORT CTB (MOVE)(SGL SLP)(TY 1)	LF	\$9.00	1,000.00	\$9,000.00	(1,000.00)	0.00	\$0.00	(\$9,000.00)
0512-6033	PORT CTB (MOVE)(LOW PROFILE)(TY 1)	LF	\$9.00	0.00	\$0.00	1,000.00	1,000.00	\$9,000.00	\$9,000.00
0512-6034	PORT CTB (MOVE)(LOW PROFILE)(TY 2)	LF	\$9.00	0.00	\$0.00	80.00	80.00	\$720.00	\$720.00
0512-6049	PORT CTB (REMOVE)(SGL SLP)(TY 1)	LF	\$13.00	881.00	\$11,453.00	(881.00)	0.00	\$0.00	(\$11,453.00)
0512-6057	PORT CTB (REMOVE)(LOW PROFILE)(TY 1)	LF	\$13.00	0.00	\$0.00	881.00	881.00	\$11,453.00	\$11,453.00
0512-6058	PORT CTB (REMOVE)(LOW PROFILE)(TY 2)	LF	\$13.00	0.00	\$0.00	80.00	80.00	\$1,040.00	\$1,040.00
0545-6001	CRASH CUSH ATTEN (INSTALL)	EA	\$9,000.00	2.00	\$18,000.00	(2.00)	0.00	\$0.00	(\$18,000.00)
0545-6005	CRASH CUSH ATTEN (REMOVE)	EA	\$525.00	2.00	\$1,050.00	(2.00)	0.00	\$0.00	(\$1,050.00)
TOTALS					\$620,124.00			\$651,936.74	\$31,812.74

CHANGE ORDER REASON(S) CODE CHART

<p>1. Design Error or Omission</p>	<p>1A. Incorrect PS&E 1B. Other</p>
<p>2. Differing Site Conditions (unforeseeable)</p>	<p>2A. Dispute resolution (expense caused by conditions and/or resulting delay) 2B. Unavailable material 2C. New development (conditions changing after PS&E completed) 2D. Environmental remediation 2E. Miscellaneous difference in site conditions (unforeseeable)(Item 9) 2F. Site conditions altered by an act of nature 2G. Unadjusted utility (unforeseeable) 2H. Unacquired Right-of-Way (unforeseeable) 2I. Additional safety needs (unforeseeable) 2J. Other</p>
<p>3. County Convenience</p>	<p>3A. Dispute resolution (not resulting from error in plans or differing site conditions) 3B. Public relations improvement 3C. Implementation of a Value Engineering finding 3D. Achievement of an early project completion 3E. Reduction of future maintenance 3F. Additional work desired by the County 3G. Compliance requirements of new laws and/or policies 3H. Cost savings opportunity discovered during construction 3I. Implementation of improved technology or better process 3J. Price adjustment on finished work (price reduced in exchange for acceptance) 3K. Addition of stock account or material supplied by state provision 3L. Revising safety work/measures desired by the County 3M. Other</p>
<p>4. Third Party Accommodation</p>	<p>4A. Failure of a third party to meet commitment 4B. Third party requested work 4C. Compliance requirements of new laws and/or policies (impacting third party) 4D. Other</p>
<p>5. Contractor Convenience</p>	<p>5A. Contractor exercises option to change the traffic control plan 5B. Contractor requested change in the sequence and/or method of work 5C. Payment for Partnering workshop 5D. Additional safety work/measures desired by the contractor 5E. Other</p>
<p>6. Untimely ROW/Utilities</p>	<p>6A. Right-of-Way not clear (third party responsibility for ROW) 6B. Right-of-Way not clear (County responsibility for ROW) 6C. Utilities not clear 6D. Other</p>

Williamson County Road Bond Program

**County Road 110 South
Williamson County Project No. 1604-075**

Change Order No. 3

Reason for Change

This Change Order substitutes the Type C surface hot mix asphalt (HMAC) with Type D HMAC. This provides an improved finished product and aligns with recent County direction utilizing Type D HMAC. The Type 4 seed mixture is also being supplemented with Type 11 seed which is Bermuda grass. This seed will aid in vegetation establishment.

Items for 12" concrete pipe (RCP), 12" Type II RCP safety end treatment (SET's), and 18" Type II RCP SET's are added to the contract due to the need for drainage structures at power poles. Due to the narrow right-of-way (ROW) width, utility poles were set in the ditch backslope, requiring storm water to be put in pipes at the poles. This was necessary to retain pole stability.

This Change Order also substitutes the Portable Single Slope Concrete Traffic Barrier (SSCB) with Low Profile Concrete Traffic Barrier (LPCB). The posted speed limit is 45 mph, which is the maximum speed limit allowed for use of LPCB. This will provide cost savings to the project and expedite construction.

The following summarizes the new Contract items required for this Change Order. The unit rates submitted by the Contractor are consistent with the TxDOT average low bid unit prices.

ITEM	DESCRIPTION	QTY	UNIT
0164-WC11	SEEDING FOR EROSN CTL (TY 11)	57,886	SY
0341-6042	D-GR HMA (TY-D) SAC-B PG 70-22	6,877	TON
0464-6001	RC PIPE (CL III)(12 IN)	44	LF
0467-6326	SET (TY II)(12 IN)(RCP)(6:1)(P)	2	EA
0467-6363	SET (TY II)(18 IN)(RCP)(6:1)(P)	12	EA
0512-6009	PORT CTB (FURN & INSTL)(LOW PROFILE)(TY 1)	881	LF
0512-6010	PORT CTB (FURN & INSTL)(LOW PROFILE)(TY 2)	80	LF
0512-6033	PORT CTB (MOVE)(LOW PROFILE)(TY 1)	1000	LF
0512-6034	PORT CTB (MOVE)(LOW PROFILE)(TY 2)	80	LF

0512-6057	PORT CTB (REMOVE)(LOW PROFILE)(TY 1)	881	LF
0512-6058	PORT CTB (REMOVE)(LOW PROFILE)(TY 2)	80	LF

Plan sheets 80A and 80B are added.

This Change Order results in a net increase of \$31,812.74 to the Contract amount, for an adjusted Contract total of \$11,253,404.45. The original Contract amount was \$11,224,589.02. Because of this and all Change Orders to-date, \$28,815.43 has been added to the Contract, resulting in a 0.3% net increase in the Contract cost. No additional days will be added to or deducted from the Contract as a result of this Change Order.

HNTB Corporation

James Klotz, P.E.



Change Proposal Unit Cost Pricing Sheet
 County Project No: 1604-075 CR110S
 Chasco Project No: 16169
 Engineer Project No: 4862

Chasco CP No: 09 - MODIFIED SEED TY 4 WITH UNHULLED BERMUDA

10/19/17

Owner PR No: _____

Description: REVISED SEEDING SPEC PER SUBMITTAL #60

BASED ON DOCUMENTS: SUBMITTAL # 60

BID ITEM NO	TECH SPEC	DESCRIPTION	QTY	UNIT	UNIT PRICE	TOTAL
10	164-WC01	SEEDING FOR EROSION CONTROL (TY 4)	-58,874	SY	\$0.16	(\$9,419.84)

164-WC11 CHANGE ORDER - NEW ITEMS		57,886	.25-.16=.09		5,209.74
New	164-XXXX	MODIFIED SEEDING - TYPE 4 PLUS 10 Lbs UNHULLED BERMUDA Seeding For EROSION CONTROL (Ty 11) - Bermuda	58,874	SY	\$0.25 .09 \$14,718.50
		TOTAL			\$6,298.66 5,209.74



Change Proposal Unit Cost Pricing Sheet

County Project No: 1604-075 CR110S

Chasco Project No: 16169

Engineer Project No: 4862

Chasco CP No: 08 - TYPE D HMAC

10/31/17

Owner PR No: _____

Description: USE TYPE D IN LIUE OF TYPE C ON FINISH COURSE

BASED ON DOCUMENTS: AS REQUESTED AT PAVING PRECON

BID ITEM NO	TECH SPEC	DESCRIPTION	QTY	UNIT	UNIT PRICE	TOTAL
22	341-6027	D-GR HMA TY-C SAC-B PG70-22	6,877	TON	\$75.00	(\$515,775.00)
		TOTAL	6,877 - 6,909			(\$515,775.00) (518,175.00)

CHANGE ORDER - NEW ITEMS

NEW ITEM	TECH SPEC	DESCRIPTION	QTY	UNIT	UNIT PRICE	TOTAL
	341-XXXX 6042	D-GR HMA TY-D SAC-B PG 70-22	6,877	TON	\$77.00	\$529,529.00
		TOTAL	6,877 6,909			\$529,529.00 531,943.00

TOTAL \$13,754.00
13,818



Change Proposal Unit Cost Pricing Sheet

County Project No: 1604-075 CR110S

Chasco Project No: 16169

Engineer Project No: 4862

Chasco CP No: 07 - 12" & 18" RCP & S.E.T.'S

10/19/17

Owner PR No: _____

Description: ADD 12" RCP AND S.E.T.'S & 18" RCP & S.E.T.'S

BASED ON DOCUMENTS: RFI 21 & 24

BID ITEM NO	TECH SPEC	DESCRIPTION	QTY	UNIT	UNIT PRICE	TOTAL
CP 7	464-6001	RC PIPE (CL III)(12 IN) - DRIVEWAY 2-2	44	LF	\$50.00	\$2,200.00
CP 7	467-6326	SET (TY II) (12 IN) (RCP) (6: 1) (P) - DRIVEWAY 2-2	2	EA	\$800.00	\$1,600.00
CP 7	467-6363	SET (TY II) (18 IN) (RCP) (6: 1) (P) - RFI 24 POWER POLES	12	EA	\$1,500.00	\$18,000.00
46	464-6003	RC PIPE (CL III)(18 IN) - RFI 24 POWER POLES	96 40 46	LF	\$86.00	\$8,266.00 3956.00
						\$0.00
		TOTAL				\$30,066.00

New
New
New

TOTAL \$30,066.00
25,756



Change Proposal Unit Cost Pricing Sheet

County Project No: 1604-075 CR110S

Chasco Project No: 16169

Engineer Project No: 4862

Chasco CP No: 03 - LOW PROFILE BARRIERS

10/19/17

Owner PR No: _____

Description: Alternate price to use low profile barriers in lieu of single slope. Requested by HNTB.

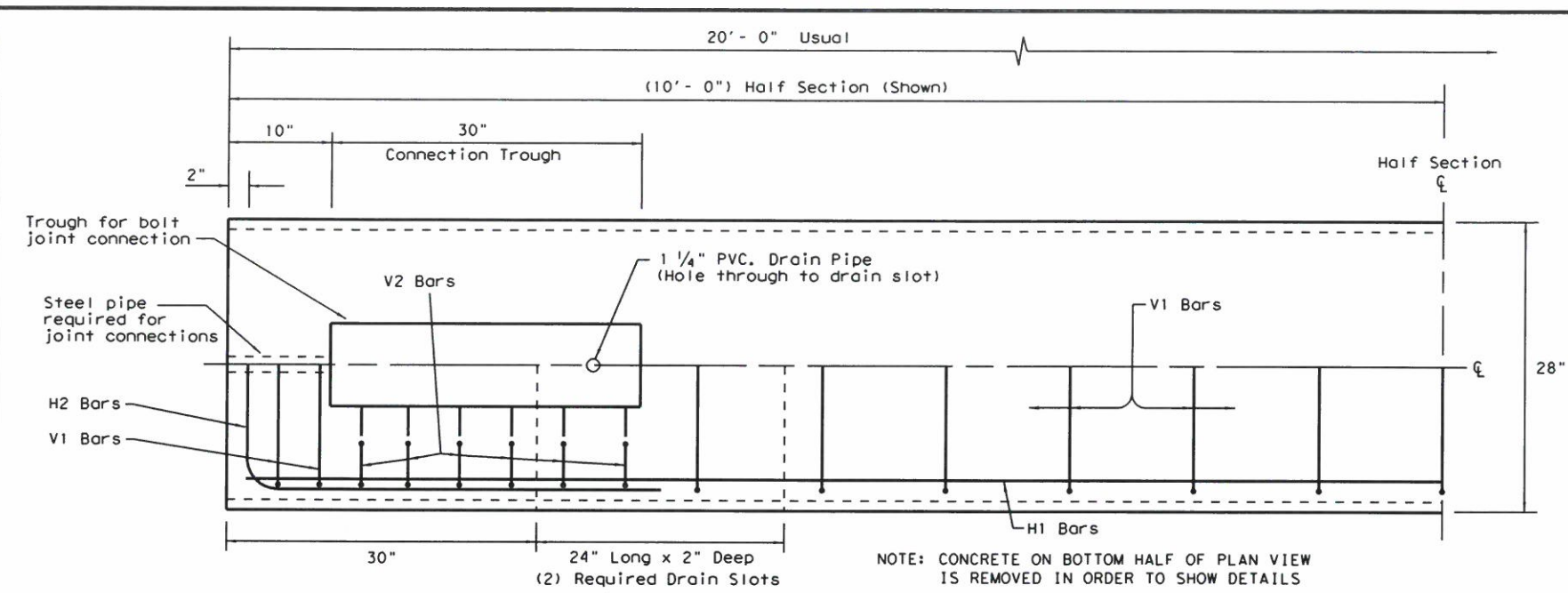
BASED ON DOCUMENTS: SUBMITTAL 54.

BID ITEM NO	TECH SPEC	DESCRIPTION	QTY	UNIT	UNIT PRICE	TOTAL
74	512-6001	PORT CTB (FUR & INST)(SGL SLOPE)(TY 1)	-881	LF	\$66.00	(\$58,146.00)
75	512-6025	PORT CTB (MOVE)(SGL SLP)(TY 1)	-1,000	LF	\$9.00	(\$9,000.00)
76	512-6049	PORT CTB (REMOVE)(SGL SLP)(TY 1)	-881	LF	\$13.00	(\$11,453.00)
89	545-6001	CRASH CUSH ATTEN (INSTL)	-2	EA	\$9,000.00	(\$18,000.00)
90	545-6005	CRASH CUSH ATTEN (REMOVE)	-2	EA	\$525.00	(\$1,050.00)

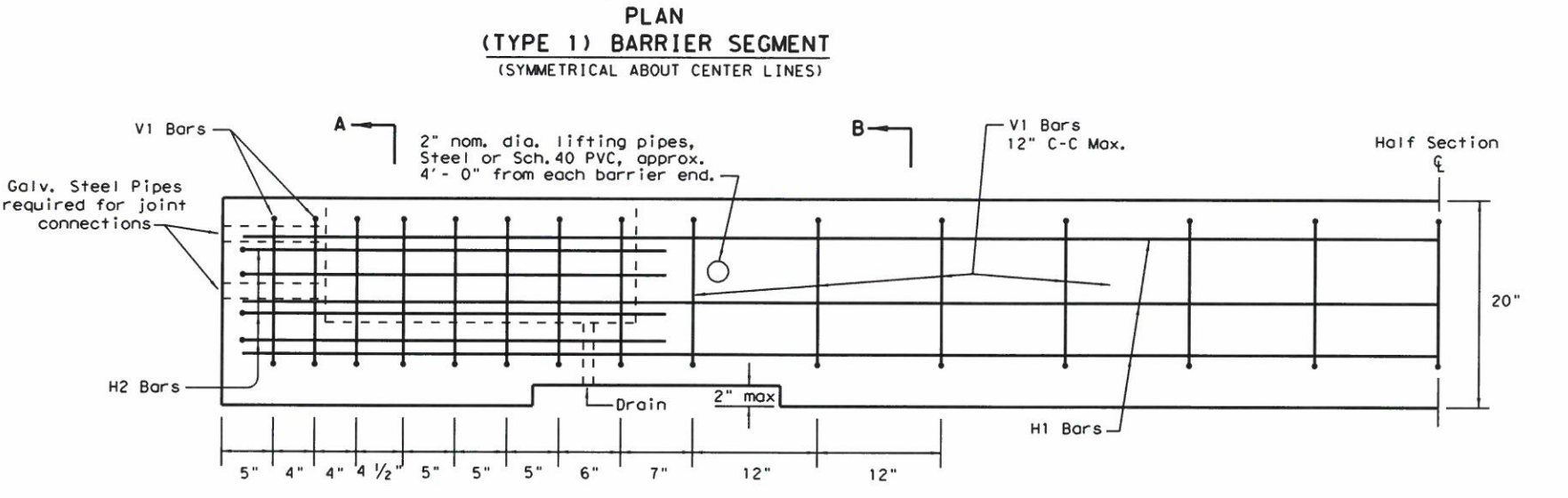
CHANGE ORDER - NEW ITEMS

New	512-6009	PORT CTB (FUR & INST)(LOW PROFILE)(TY 1)	881	LF	\$65.00	\$57,265.00
New	512-6035	PORT CTB (MOVE)LOW PROFILE)(TY 1)	1,000	LF	\$9.00	\$9,000.00
New	512-6057	PORT CTB (REMOVE)(LOW PROFILE)(TY 1)	881	LF	\$13.00	\$11,463.00
New	512-6010	PORT CTB (FUR & INST)(LOW PROFILE)(TY 2).SLOPED ENDS	80	LF	\$65.00	\$5,200.00
New	512-6034	PORT CTB (MOVE)LOW PROFILE)(TY 2).SLOPED ENDS	80	LF	\$9.00	\$720.00
New	512-6058	PORT CTB (REMOVE)(LOW PROFILE)(TY 2).SLOPED ENDS	80	LF	\$13.00	\$1,040.00
		TOTAL				(\$12,971.00)

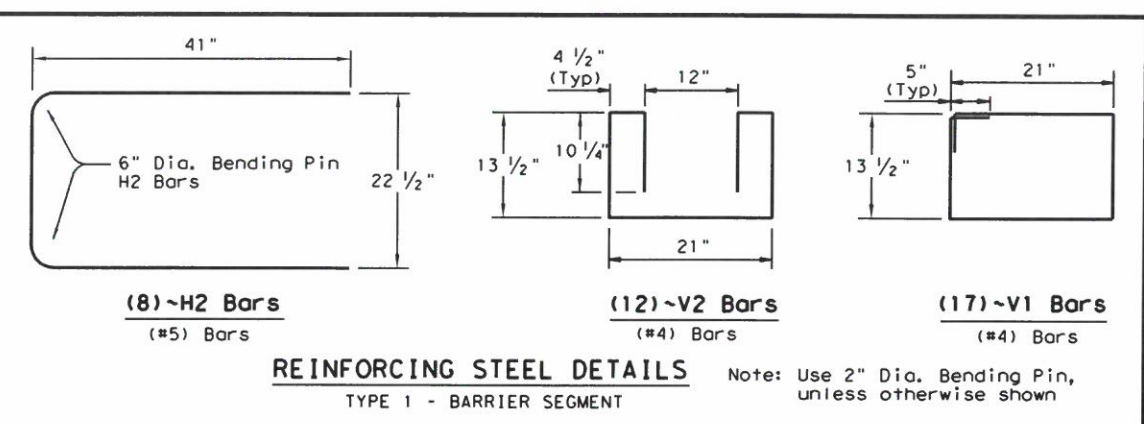
DISCLAIMER: The use of this standard is governed by the "Texas Engineering Practice Act". No warranty of any kind is made by TxDOT for any purpose whatsoever. TxDOT assumes no responsibility for the conversion of this standard to other formats or for incorrect results or damages resulting from its use.



PLAN
(TYPE 1) BARRIER SEGMENT
(SYMMETRICAL ABOUT CENTER LINES)

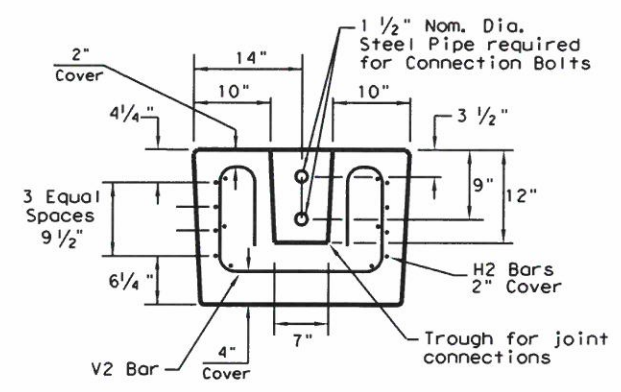


ELEVATION
(TYPE 1) BARRIER SEGMENT
(SYMMETRICAL ABOUT CENTER LINES)

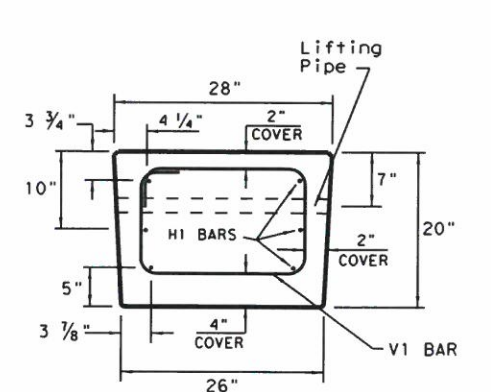


REINFORCING STEEL DETAILS
TYPE 1 - BARRIER SEGMENT

Note: Use 2" Dia. Bending Pin, unless otherwise shown



SECTION A-A



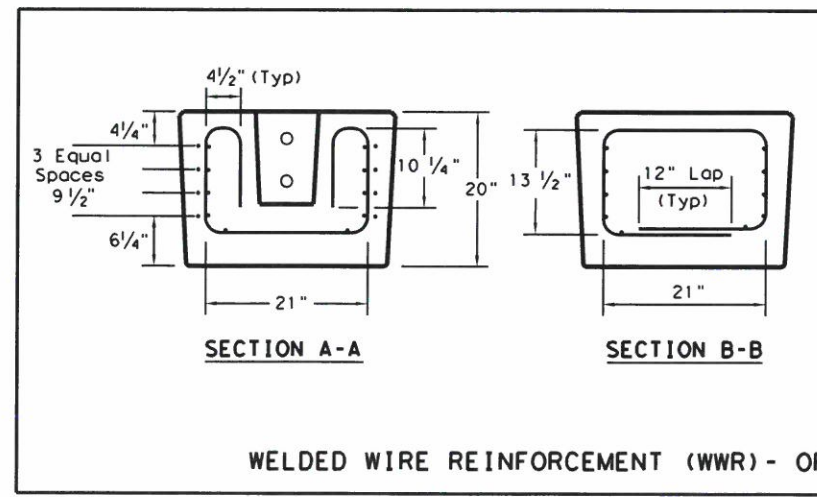
SECTION B-B

GENERAL NOTES

1. Low Profile Concrete Barrier (LPCB), is approved for use in temporary work zone locations, where the posted speed is 45 mph, or less.
2. Concrete shall be Class H for precast barrier with a minimum compressive strength of 3,600 psi.
3. Where used, rebar reinforcement shall be Grade 60 and conform to ASTM A615.
4. Precast LPCB barrier length shall be 20 ft.
5. All barrier edges shall have 1/4" chamfer or a tooled radius.
6. Joint connection hardware shall be in accordance with Item 449, "Anchor Bolts," and is considered subsidiary.
7. Steel pipe required for joint connection bolts shall be galvanized in accordance with Item 445, "Galvanizing."
8. Welded wire reinforcement (WWR) may be used in lieu of conventional reinforcement for Type 1 barrier, and shall meet the requirements shown.

FOR CONTRACTORS INFORMATION ONLY

(TYPE 1) APPROX. QUANTITIES 20 FT. SECTION		
CONCRETE	CY	2.6
REINFORCING STEEL	LBS	330
TOTAL BARRIER WT.	LBS	11000

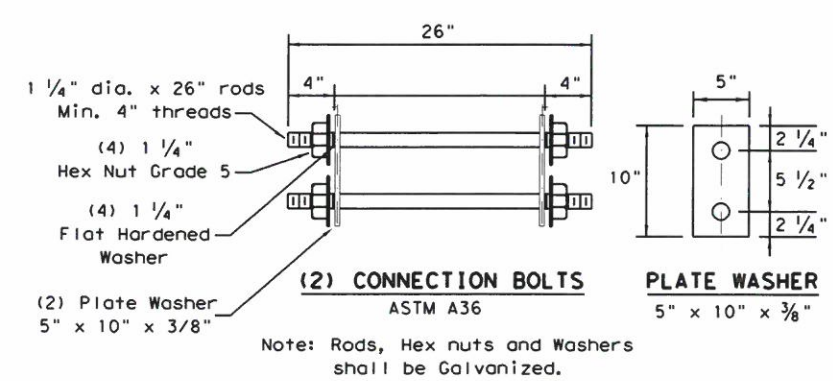


- (WWR) GENERAL NOTES**
1. Deformed Welded Wire Reinforcement shall conform to ASTM A497.
 2. Welded wire cage may be cut or bent, if necessary, but must be approved by the Engineer.
 3. Combinations of reinforcing steel and WWR are permitted, as directed by the Engineer. The dimensions from the end of the barrier section to the first wire shall not exceed 3".

REQUIRED (WWR) WIRE DESIGN

- 8 ~ (D31) Horizontal Wires (Equally spaced)
- 10 ~ (D20) Horizontal Wires (Equally spaced)
- 29 ~ (D20) Vertical Wires (Spaced as shown in Elevation View)

WELDED WIRE REINFORCEMENT (WWR) - OPTIONAL REINFORCING



Note: Rods, Hex nuts and Washers shall be Galvanized.

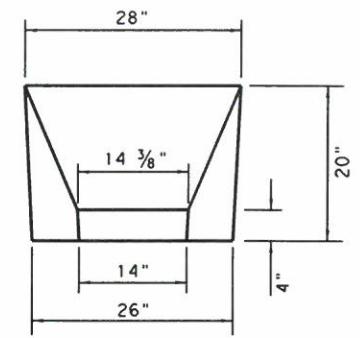
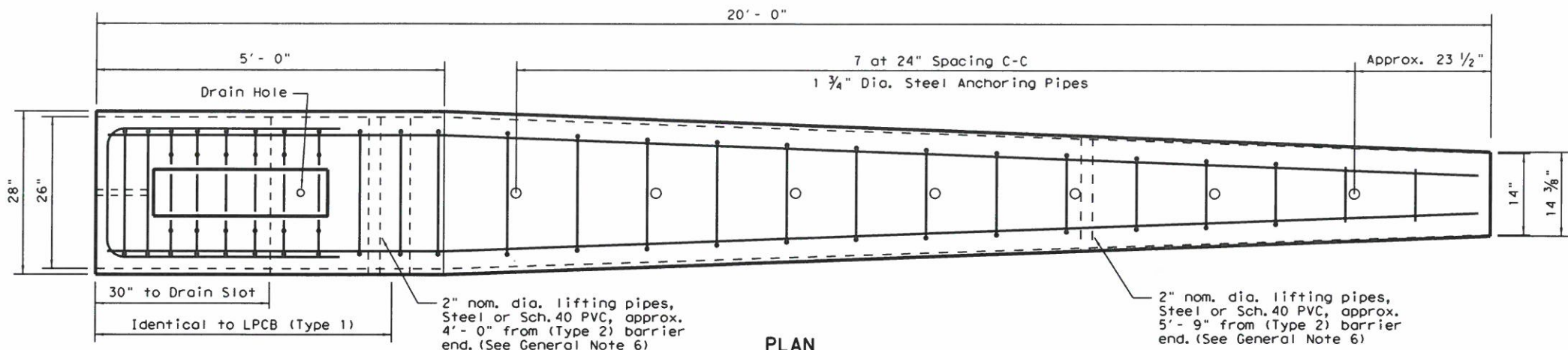
Texas Department of Transportation
Design Division Standard

LOW PROFILE CONCRETE BARRIER PRECAST BARRIER (TYPE 1) LPCB-13

FILE: lpcb13.dgn	DN: TxDOT	CK: AM	DW: VP	CK:
© TxDOT December 2010	CONT	SECT	JOB	HIGHWAY
REVISIONS				
DIST	COUNTY		SHEET NO.	86-A

DATE:
FILE:

DISCLAIMER: The use of this standard is governed by the "Texas Engineering Practice Act". No warranty of any kind is made by TxDOT for any purpose whatsoever. TxDOT assumes no responsibility for the conversion of this standard to other formats or for incorrect results or damages resulting from its use.

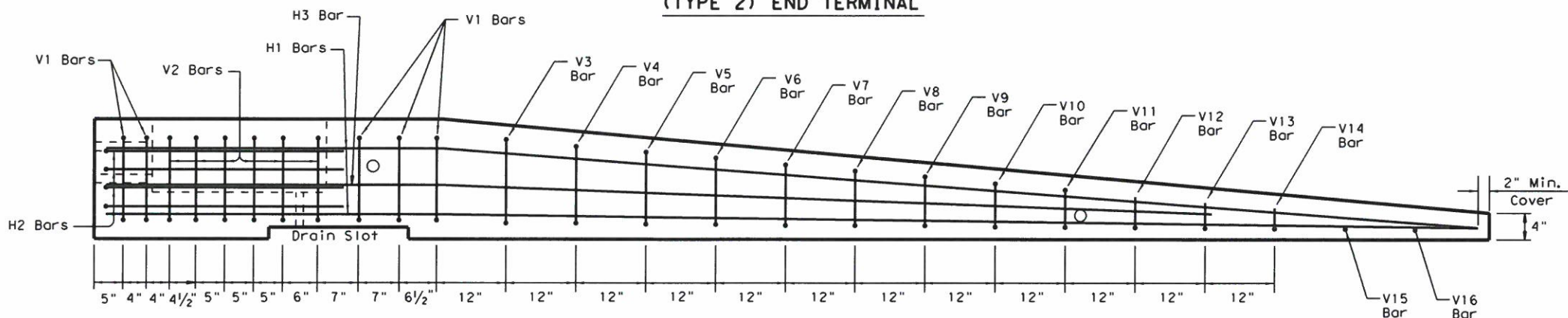


APPROACH VIEW

TYPE 2 - NOTES

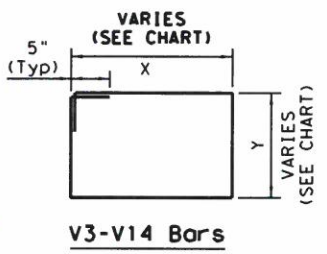
1. Welded wire reinforcement (WWR) is "not" an option for Type 2 Barrier.
2. Type 2 Barrier shall be used as an end treatment for the Type 1 barrier segments, when applicable.
3. The end treatment can be used without the anchor pins in locations that can accommodate approximately 4 ft. of lateral displacement of the end treatment. The use of non-pinned end treatment does not affect the performance or the deflection of the Low-Profile barrier system.
4. The anchor pins are all the same length and are to be driven flush with the top of the (Type 2) barrier surface.
5. The bends in the H3 and H1 bars are slight, no formal bend is necessary.
6. The Type 2 barrier segment must be lifted from the rear first, to prevent cracking of sloped section.
7. See LPCB sheet 1 for additional information.

PLAN (TYPE 2) END TERMINAL

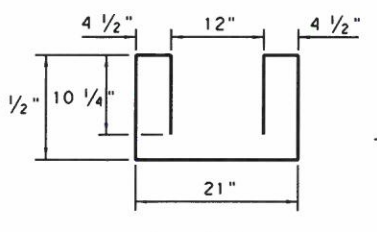


ELEVATION (TYPE 2) END TERMINAL

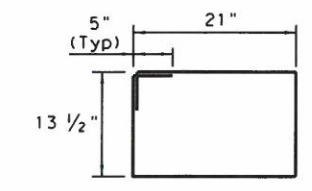
Note: Anchoring pipes not shown in Elevation View



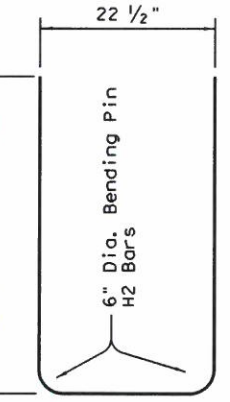
BAR (#4)	X (IN.)	Y (IN.)
V3 BAR	20 1/4	14 1/2
V4 BAR	19 1/2	13 1/2
V5 BAR	18 1/2	12 1/4
V6 BAR	17 1/2	11 1/4
V7 BAR	17	10 1/4
V8 BAR	16 1/4	9
V9 BAR	15 1/2	8
V10 BAR	14 1/2	7
V11 BAR	13 3/4	6



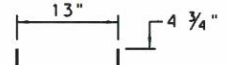
(6) V2 Bars



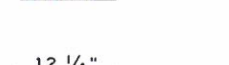
(5) V1 Bars



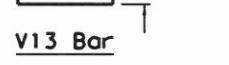
(4) H2 Bars (#5) Bars



V12 Bar



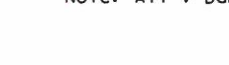
V15 Bar



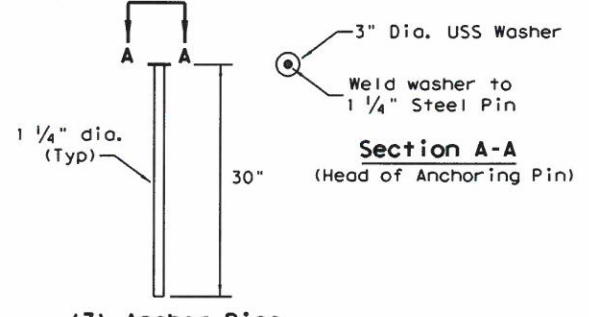
V13 Bar



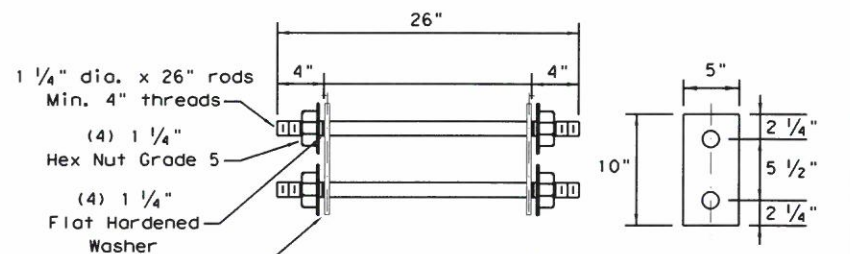
V16 Bar



V14 Bar



(7) Anchor Pins ASTM A36 Steel (See Note 3)



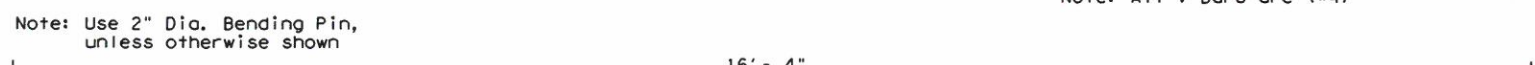
(2) CONNECTION BOLTS ASTM A36

PLATE WASHER 5" x 10" x 3/8"

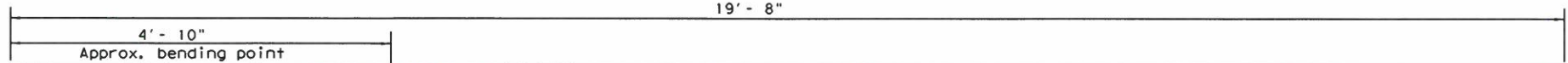
Note: Rods, Hex nuts and Washers shall be Galvanized.

REINFORCING STEEL DETAILS TYPE 2 - END TERMINAL

Note: All V Bars are (#4)



(2) H3 Bars (#5) Bar



(4) H1 Bars (#5) Bar

Note: Bends on H1 and H3 bars are slight and do not require formal bends.

FOR CONTRACTORS INFORMATION ONLY

(TYPE 2) APPROX. QUANTITIES 20 FT. SECTION		
CONCRETE	CY	1.65
REINFORCING STEEL	LBS	240
TOTAL BARRIER WT.	LBS	7000



LOW PROFILE CONCRETE BARRIER PRECAST BARRIER (TYPE 2) LPCB-13

FILE: lpcb13.dgn	DN: TxDOT	CR: AM	DR: VP	CR:
© TxDOT December 2010	CONT	SECT	JOB	HIGHWAY
REVISIONS	DIST	COUNTY	SHEET NO. 80-B	

DATE: FILE: